

# OPERATING INSTRUCTIONS

PRINCE CASTLE INC. 

## Mustard Dispenser

Model 141-H



Prince Castle's Mustard Dispenser is portion control at its finest. The Mustard Dispenser allows for precise portion control by dispensing an equal amount of mustard on each sandwich.

### PRODUCT SPECIFICATIONS

#### Dimensions:

| Height          | Width           | Length          |
|-----------------|-----------------|-----------------|
| 7-5/8" (19.3cm) | 6-3/4" (17.1cm) | 12-5/8"(32.0cm) |

Shipping Weight: 4lbs (1.8kg)

### TABLE OF CONTENTS

|                       | PAGE |
|-----------------------|------|
| Installation .....    | 2    |
| Operating .....       | 2    |
| Cleaning .....        | 2    |
| Troubleshooting ..... | 3    |
| Parts List .....      | 4    |

### LIMITED WARRANTY

This product is warranted to be free from defects in material and/or workmanship for a period of one (1) year from date of original installation, not to exceed 18 months from date of shipment from our factory. Any part or component which proves to be faulty in material and/or workmanship within the warranty period will be replaced or repaired without cost to the customer for parts or labor (at the option of Prince Castle, Inc.).

This warranty is subject to the following exceptions/conditions:

- Any use of non-genuine Prince Castle spare parts voids this warranty.
- All labor shall be performed during regular working hours. Overtime premium will not be covered.
- Damage caused by carelessness, neglect, and/or abuse is not covered by the terms of this warranty. Equipment damaged in shipment, by fire, flood or an act of God is not covered.

PRINCE CASTLE INC.   
WORLDWIDE

355 East Kehoe Blvd. • Carol Stream, IL 60188  
Tel: (630) 462-8800 • Fax: (630) 462-1460  
Toll Free: 1-800-PCASTLE

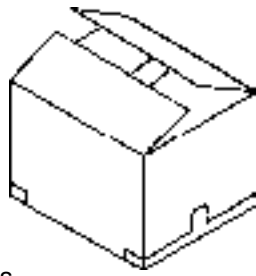
When your equipment arrives:

## INSPECT CARTON

Remove product from carton.

If damaged:

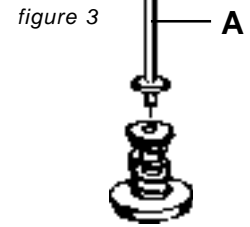
- Notify carrier within 24 hours.
- Save carton and packing material.
- If you find a part, or parts missing contact your local Prince Castle Service Center.



## PARTS

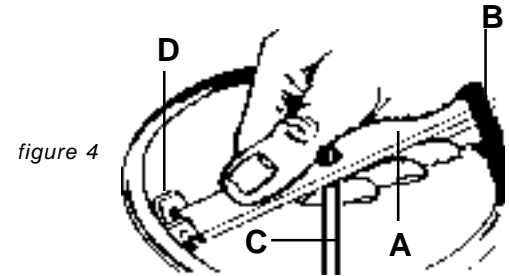
1. Always refer to the Parts List in this manual. You will then have a part number for reference when ordering.
2. All replacement parts should be purchased from your local Prince Castle Service Center (see enclosed list). Outside the U.S.A., contact your local Prince Castle Distributor.
3. Returns: All inoperable warranty parts must be returned to the Service Center.

5. Assemble plunger rod (A) to the piston by pressing the rod into the hole on top of the piston. Lower the assembled parts into the dispenser. (Figure 3)



**Note:** When pushing the assembled parts into the mustard, slowly rotate them. This will eliminate air pockets in the mustard.

6. Assemble the activating lever (A) through the lever stop (B). Guide the plunger rod (C) into the center hole. Push down against the springing action of the piston, then guide the end of the lever into the slots (D) at the rim of the container. (Figure 4)



## INSTALLATION

1. Wash and sanitize all parts before using.
2. Install diffuser, by bending it between the thumb and forefinger, so that it is bent into an oval shape over the middle finger. Work the crease in the side of the diffuser around the rim of the opening in the bottom of the container. (Figure 1)

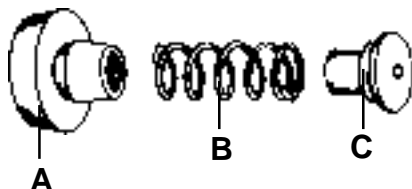
figure 1



**Note:** The convex side of the diffuser should extend downward.

3. Pour 1-1/2" of mustard into the dispenser.
4. Assemble cylinder (A), spring (B), and piston (C). (Figure 2)

figure 2



7. Be sure cylinder, spring and piston are nested properly over diffuser.

## OPERATING

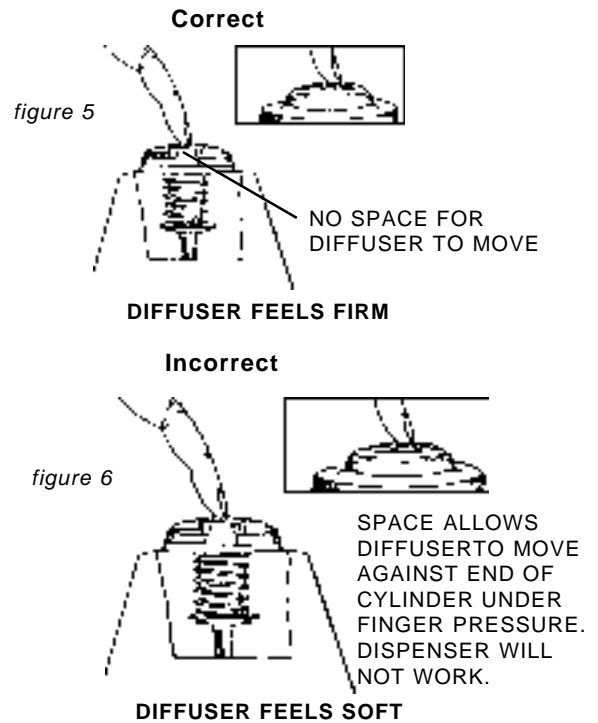
1. The dispenser must be primed after filling with mustard. To prime, hold lever down to force air out of cylinder, then shake side to side to remove air trapped around spring and cylinder area due to thickness of mustard.
2. Pump dispenser a number of times to prime and to make sure it is working properly. If any air is in the piston, cylinder and diffuser area, the dispenser will not portion correctly and dribble after each shot.

## CLEANING

1. To clean dispenser, remove mustard from container, fill with warm water and press actuating lever a few times, pumping water through the dispenser. Disassemble all parts and wash thoroughly.

## PREVENTIVE MAINTENANCE

- Use mustard which is at room temperature.
- Rotate all rubber parts twice a week allowing one set to dry out while other one is in use.
- Once each week, assemble the mustard dispenser but do not add any mustard. Turn the dispenser upside down. Press down on the center of the diffuser. There should not be any movement between the diffuser and the center of the plastic cylinder. If there is any movement, replace the diffuser as the dispenser will not dispense properly. (Figures 5 & 6

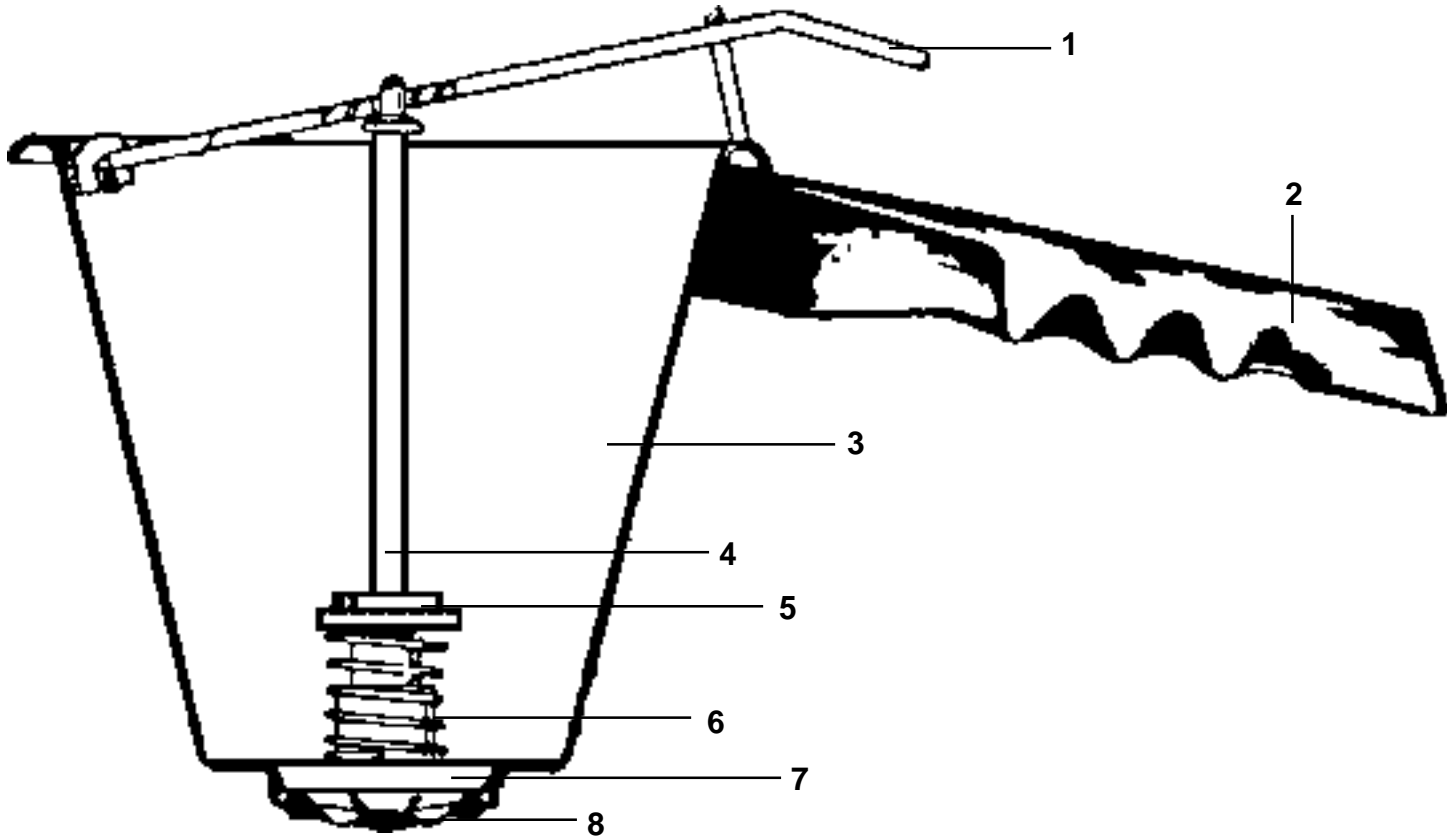


## TROUBLESHOOTING

| PROBLEM:                        | PROBABLE CAUSE:   | REMEDY:  |
|---------------------------------|---|--|
| Will not dispense.              | A) Rubber parts worn out.<br>B) Shell deformed.<br>C) Rubber parts incorrectly installed.   | A) Replace rubber parts.<br>B) Replace shell.<br>C) Check for proper installation of all rubber parts.   |
| Does not dispense full portion. | A) Rubber parts have lost resiliency.<br>B) Lever stop on top of shell bent.<br>C) Shell deformed.  | A) Air dry parts and alternate parts twice a week.<br>B) Rebend lever stop as close as possible or replace shell.<br>NOTE: Original position of lever stop is bent 13 degrees toward center of shell.<br>C) Replace shell. |
| Mustard pattern is irregular.   | A) Hole in diffuser is plugged.<br>B) Diffuser is worn out/swollen or torn.<br>C) Diffuser is improperly installed.<br>D) Dispenser being held at an angle when being used. | A) Remove and clean.<br>B) Replace diffuser.<br>C) Reinstall diffuser.<br>D) Dispenser should be held vertical.  |

---

## EXPLODED VIEW



---

## PARTS LIST

| ITEM | PART NUMBER | DESCRIPTION         |
|------|-------------|---------------------|
| 1    | 141-33      | Activating Lever    |
| 2    | 141-32      | Handle              |
| 3    | 101-12      | Container           |
| 4    | 101-7       | Plunger Rod         |
| 5    | 141-51S     | Piston              |
| 6    | 141-5       | Spring              |
| 7    | 141-2       | Cylinder            |
| 8    | 141-4YS     | Diffuser (pkg of 3) |