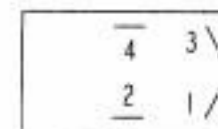


C1 - CAPACITOR, MAIN FAN  
 C2 - CAPACITOR, CONVEYOR MOTOR  
 ECMI - CONTROL, OVEN  
 EXM-ACMD - CONTROL, CONVEYOR MOTOR  
 F1, F2 - FUSE, MOTOR & CONTROLS  
 F3-F5 - FUSE, IR, BOTTOM  
 F6-F8 - FUSE, IR, TOP  
 H1-H3 - HEATER, CIRCULAR, 2000W

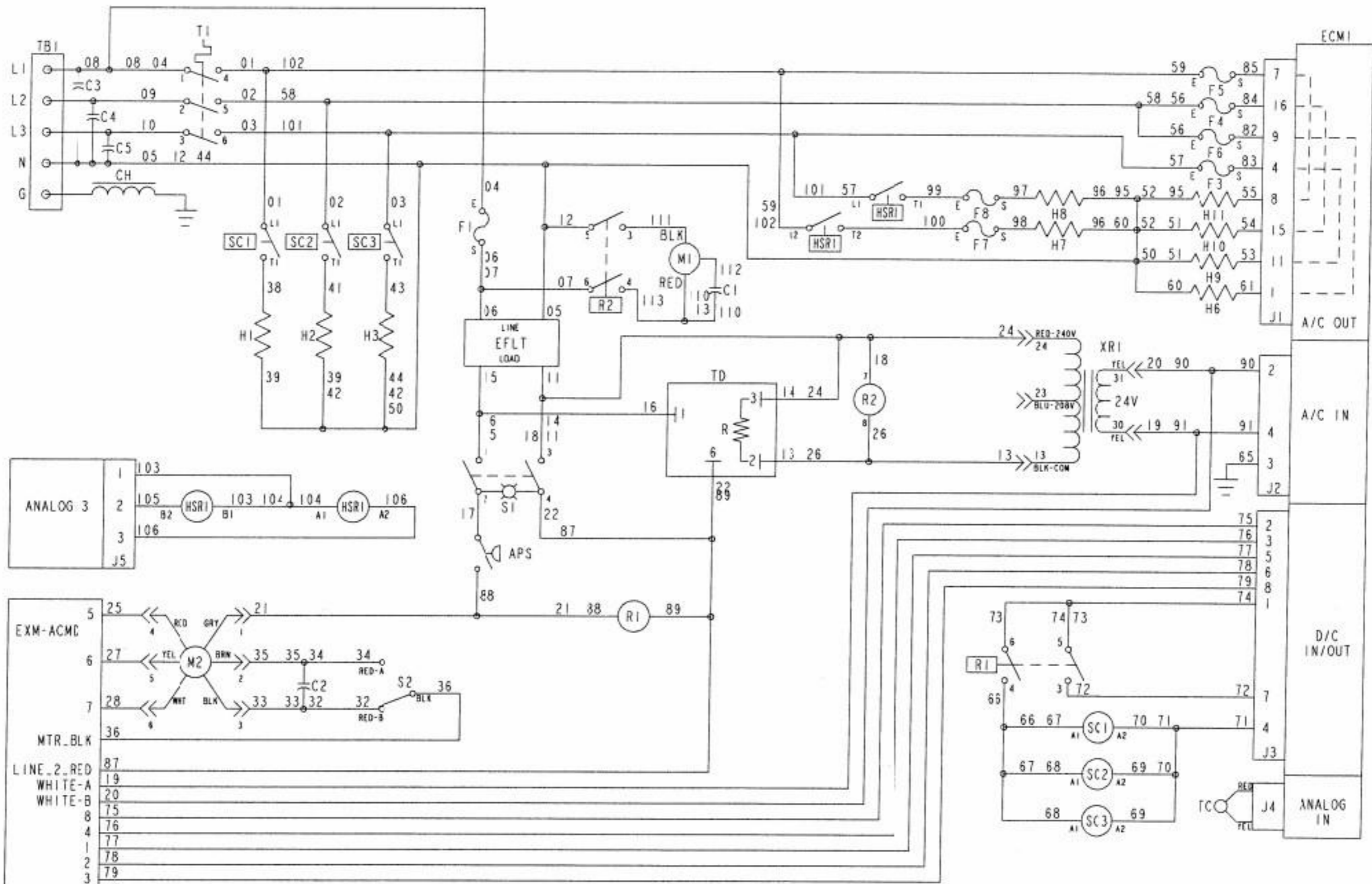
H6-H8 - HEATER, INFRARED, UPPER, 1500W  
 H9-H11 - HEATER, INFRARED, LOWER, 1500W  
 HSRI - RELAY, 2 POLE SOLID STATE  
 M1 - MOTOR, MAIN FAN  
 M2 - MOTOR, CONVEYOR  
 R1 - RELAY, SSR/SWITCH SOLID STATE DETECT  
 R2 - RELAY, MAIN FAN  
 R5 - RELAY, MAIN POWER  
 S1 - SWITCH, MAIN

S2 - SWITCH, CONVEYOR REVERSING  
 SC1-SC3 - SSR, MAIN HEATER  
 T1 - THERMOSTAT, OVEN HIGH LIMIT  
 TC - THERMOCOUPLE, TYPE K  
 TD - TIME DELAY, 30 MINUTES  
 XRI - TRANSFORMER, CONTROL



S1 CONFIGURATION, REAR VIEW

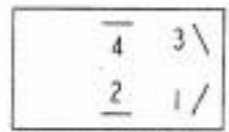
DTF-8/16/18  
DOMESTIC



APS - SWITCH, AIR PRESSURE  
 C1 - CAPACITOR, MAIN FAN  
 C2 - CAPACITOR, CONVEYOR MOTOR  
 C3,C4,C5 - CAPACITOR, NOISE SUPPRESSION  
 CH - COIL, NOISE SUPPRESSION  
 ECMI - CONTROL, OVEN  
 EFLT - FILTER, LINE  
 F1,F3-F8 - FUSE, MOTOR, HEATERS & CONTROLS  
 H1-H3 - HEATER, MAIN  
 H6-H11 - HEATER, IR  
 HSR1 - RELAY, 2 POLE SOLID STATE

M1 - MOTOR, MAIN FAN  
 M2 - MOTOR, CONVEYOR  
 EXM-ACMC - CONTROL, CONVEYOR MOTOR  
 R1 - RELAY, MAIN HEATER  
 R2 - RELAY, MAIN FAN  
 S1 - SWITCH, MAIN  
 S2 - SWITCH, CONVEYOR REVERSING  
 SC1,SC2,SC3 - RELAY, SOLID STATE  
 T1 - THERMOSTAT, OVEN HIGH LIMIT  
 TBI - TERMINAL BLOCK, MAIN POWER  
 TC - THERMOCOUPLE, TYPE K

TD - TIME DELAY, 30 MINUTES  
 XR1 - TRANSFORMER, CONTROL



SI CONFIGURATION REAR VIEW