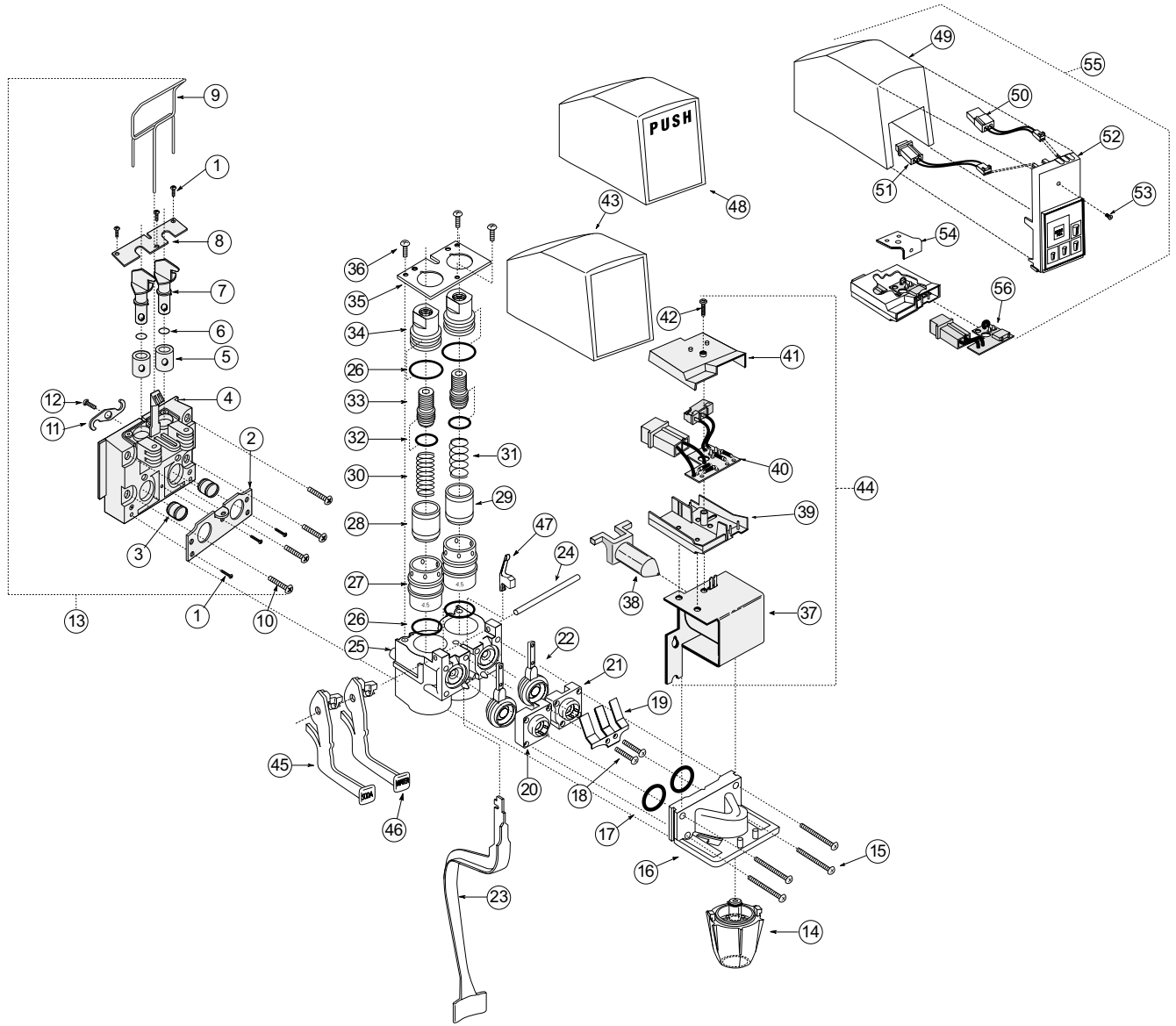




Flomatic

Flomatic 464 Post-mix Valve



REF NO.	PART NO.	DESCRIPTION
1	553-00	Screw 6x7/16 PH SS
2	568	SS Retainer – stem seal
3	528	Quad seal – stem
4	562-72*	Mtg. block blank – 0.372" inlet
	562-80*	Mtg. block blank – 0.380" inlet
5	527	Boot seal – shut off
6	543	O-ring (010)
7	526*	Plug – shut off
8	567*	SS Retainer – shut off plug
9	538-04	Latch pin – three point
10	563-03	Mounting bolt – 10-32x 7/8 SS
11	564	S-clip
12	565	Screw – 8x1/2 PH SS
13	372-Q	Complete assembly – 0.372" inlet
	380-Q	Complete assembly – 0.380" inlet
14	501-65	Nozzle assembly black
15	505	Screw 4-40x1 SS
16	507-36-B	Diffuser block
17	509	O-ring (112)
18	510	Screw 4-40x5/8 SS

REF NO.	PART NO.	DESCRIPTION
19	511	Spring pallet retainer
20	512-02 - B	Orifice cap – left
21	513-02 - B	Orifice cap – right
22	515	Pallet
23	516-09	Lever molded sanitary
24	524-02	Pivot pin
25	600-46	Flow control base
26	608	O-ring (017)
27	602-03	Cylinder – ceramic
28	604-03	Piston – soda
29	603-03	Piston – syrup
30	605-01	Spring – brix adjustment soda
31	605-02	Spring – brix adjustment syrup
32	551	O-ring (012)
33	607*	Screw – brix adjustment
34	609*	Nut – brix adjustment
	642-00	Brix adjustment assy complete
35	610-04	Retainer plate (14G)
36	611-01	Screw 6-32x1/4 SS
37	9770-A*	Solenoid coil (only)

REF NO.	PART NO.	DESCRIPTION
38	763-01	Plunger - yoked single coil
39	765-01	Base – convertible switch hsg
40	769-U25	Printed circuit board – switch assy
41	766-01	Cover – convertible switch hsg
42	2611	Screw 6-32x5/8 SS
43	1521	Cover – black
44	770-E35	Solenoid assembly complete
45	1028-S	Add-a-Lever "soda"
46	1028-W	Add-a-Lever "water"
47	517-04	Electric retainer lever
48	1525	Cover self service
49	1500	Cover portion control
50	817-02	Plug assembly – 2 pin/2 wire
51	817-03	Plug assembly – 3 pin/2 wire
52	832-01	Portion control module 4-cup
53	805	Screw
54	802-01	Portion control bracket
55	P35-1500	Solenoid complete
56	769-P25	Printed circuit board – p c shunt

REF NO.	PART NO.	DESCRIPTION
not shown 1094 TRUCK Parts kit		
not shown 1094 STOCK Parts stock kit		

COMPLETE VALVE ASSEMBLIES

464-HF-E35-1521	Valve- electric lever
464-HF-S35-1525	Valve- self-service
464-HF-P35-1500	Valve- portion control

Inquire about other 464 options.

* Parts not sold separately

