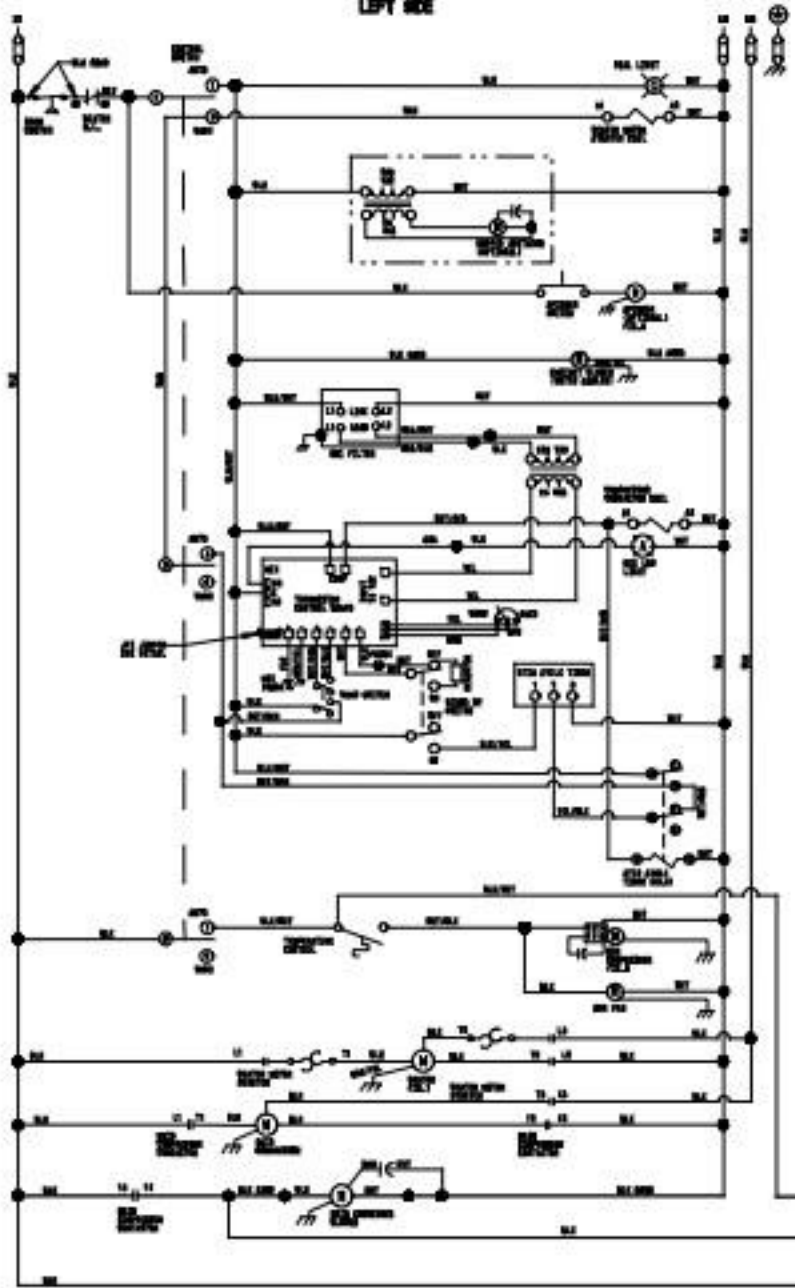
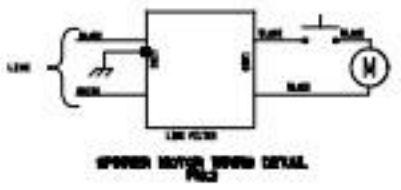
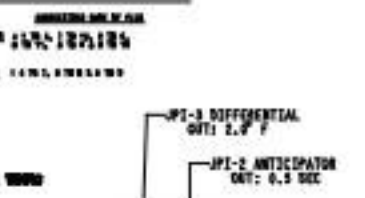
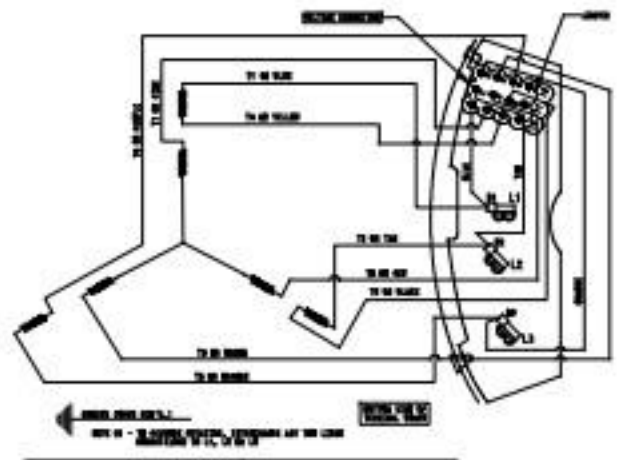
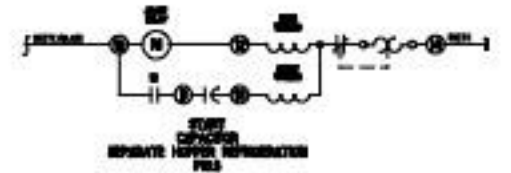
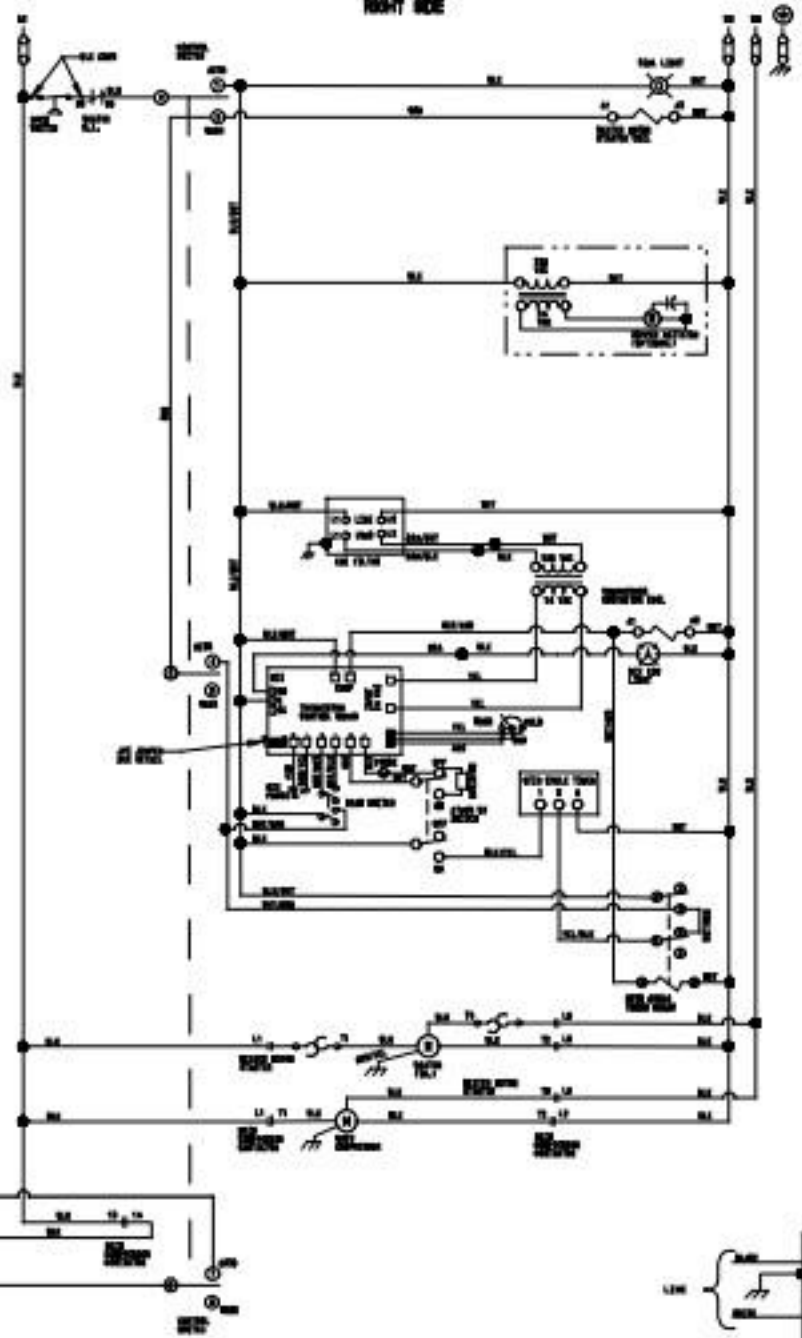


LEFT SIDE



RIGHT SIDE



GROUND FRAME SECURELY  
KEEP ALL WIRING TIGHT

LEFT SIDE

RIGHT SIDE

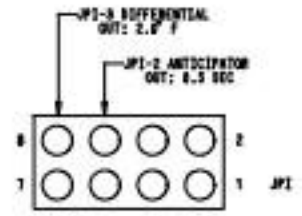
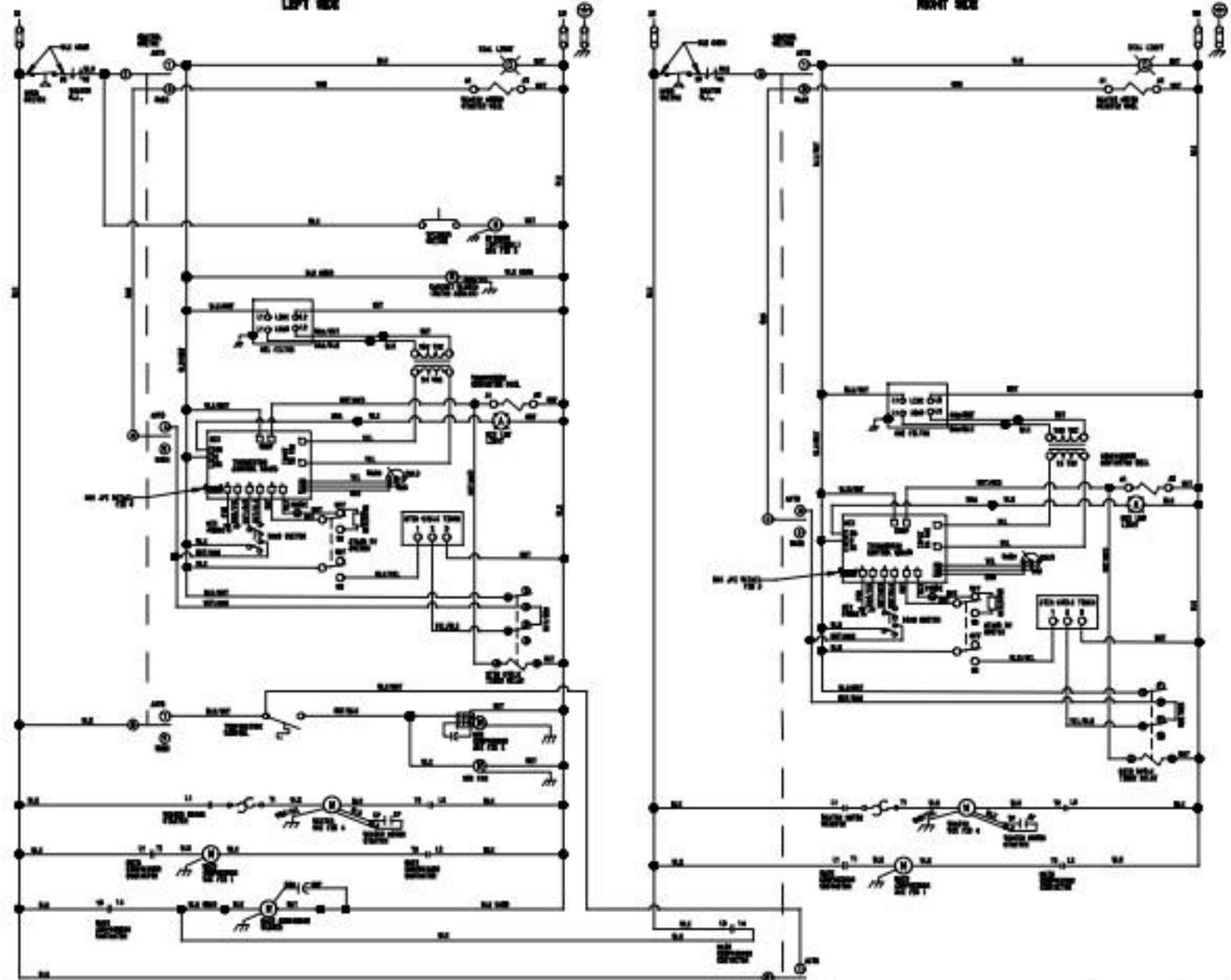
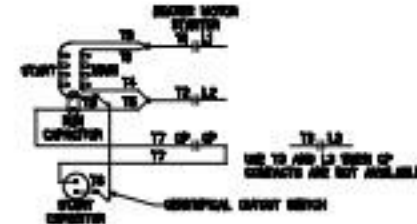
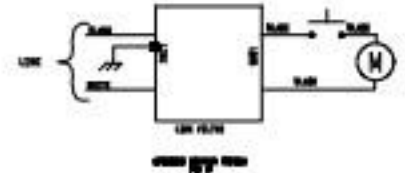
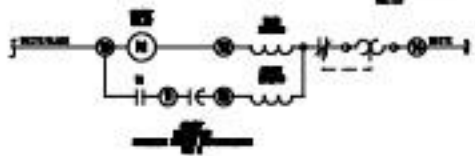
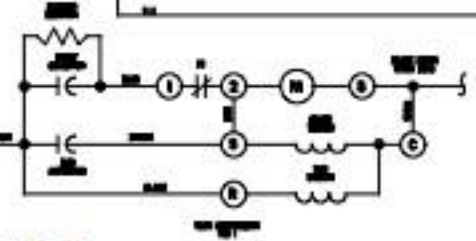


FIG 5 JP1 JAMPER DETAIL

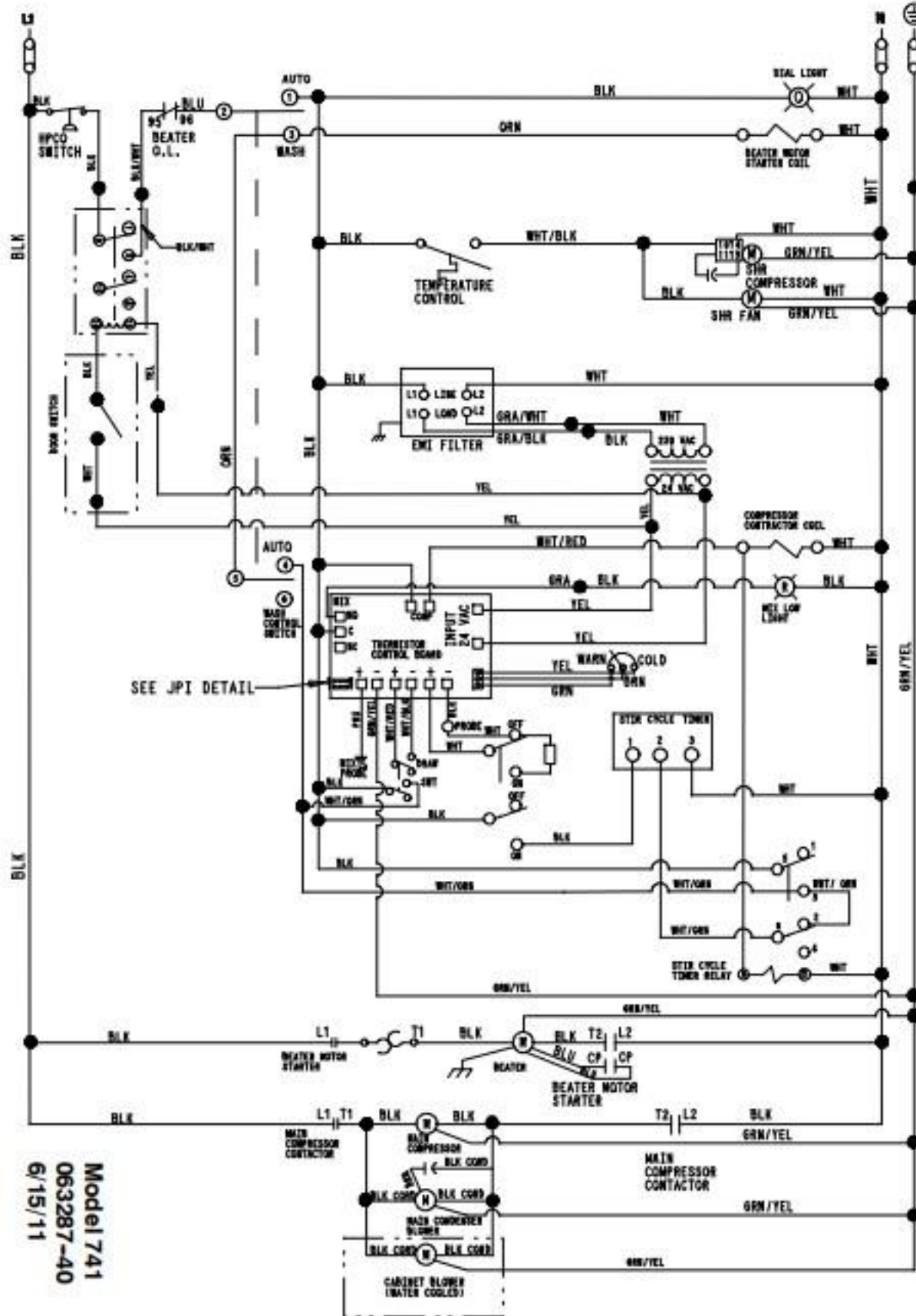


LEESON 2 HP BEATER MOTOR WIND FIG. 4

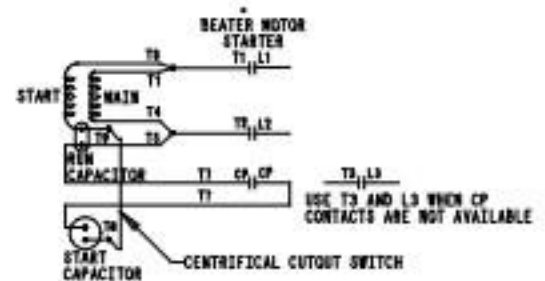
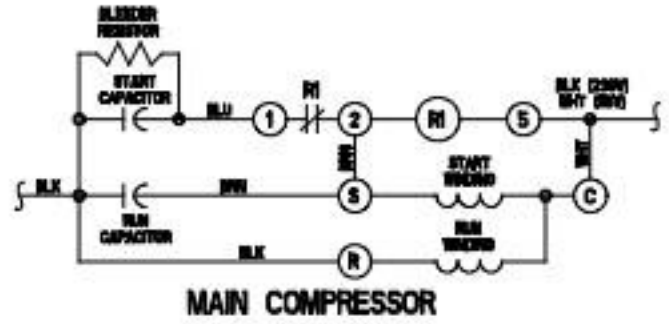
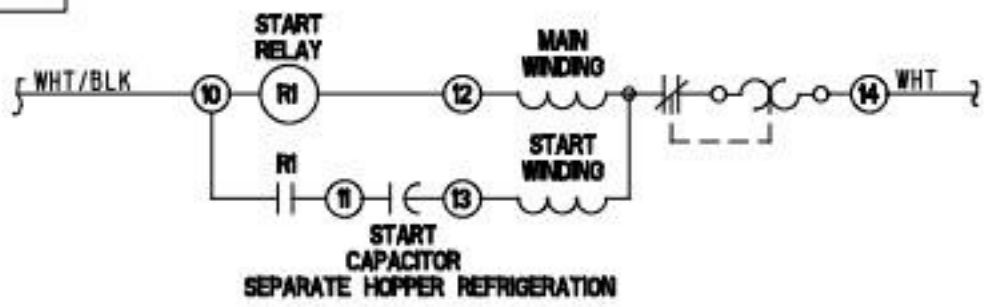


GROUND FRAME SECURELY  
OUTSIDE & FROM INSIDE WHEN  
PLUGS ARE OPEN

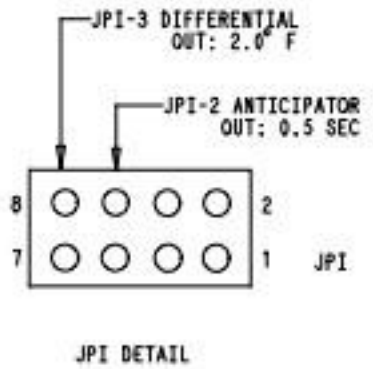
Model 772  
063357-27  
6/15/11



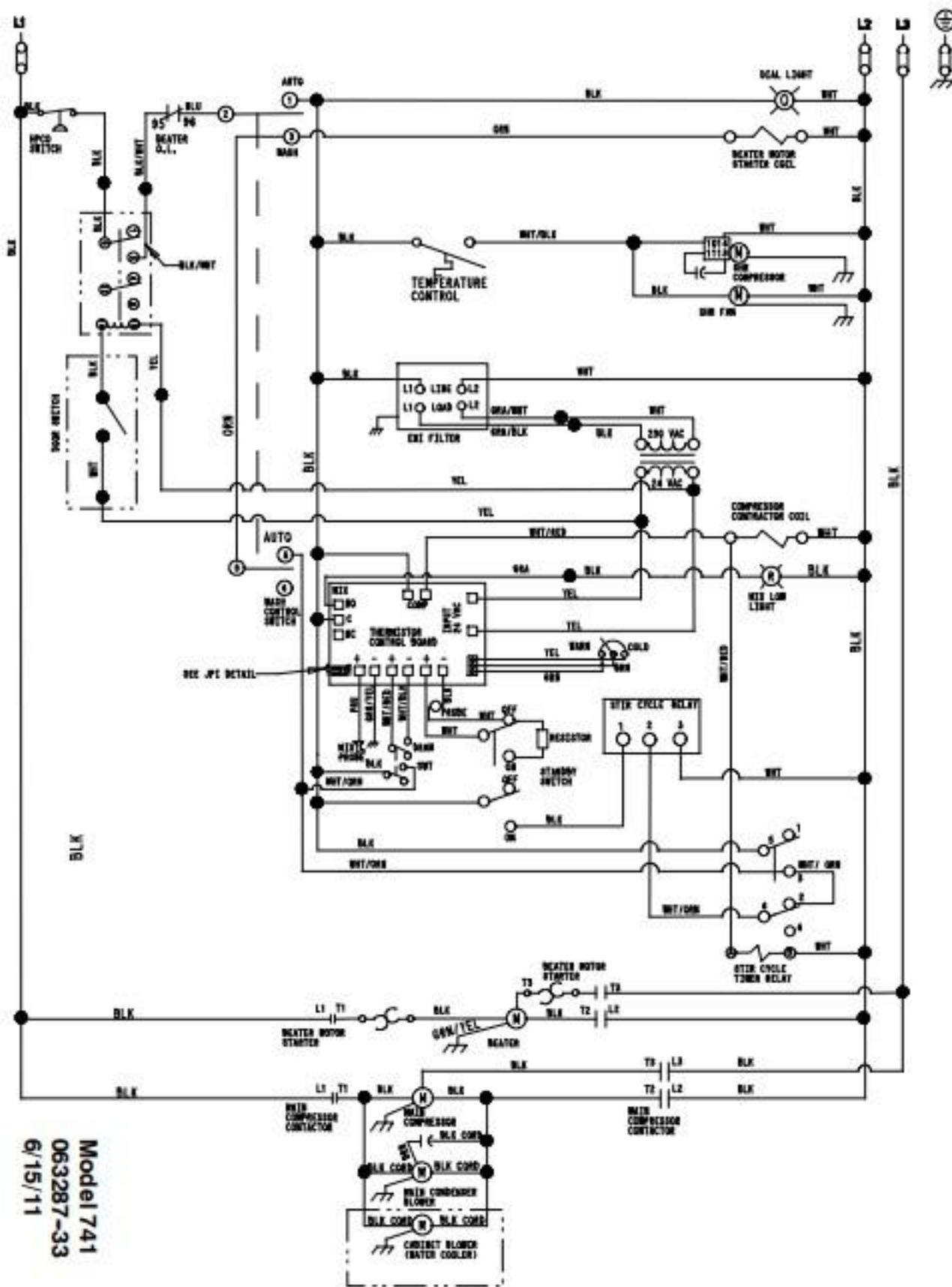
CONTROL ENCLOSURE(S)



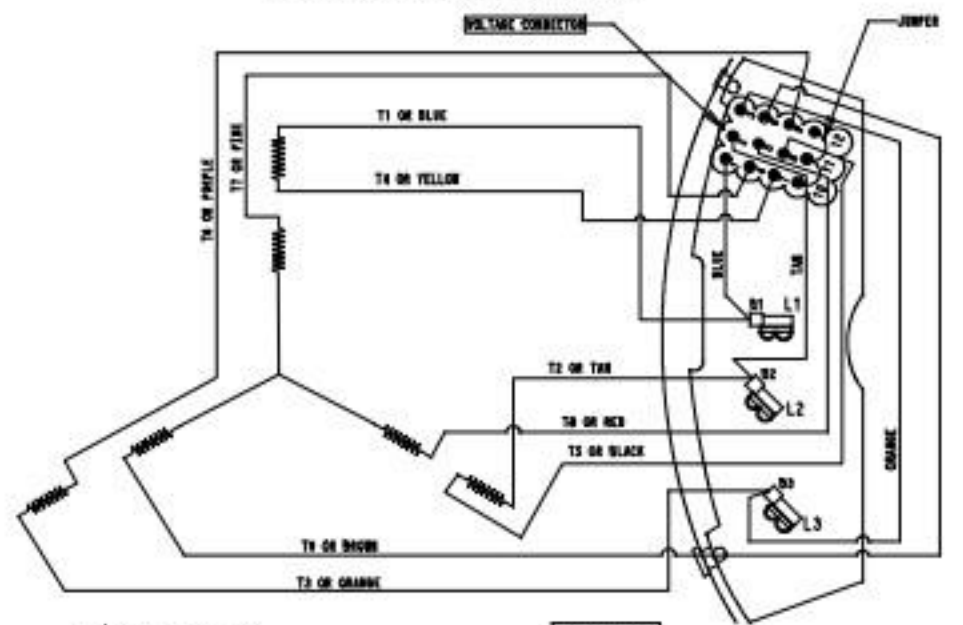
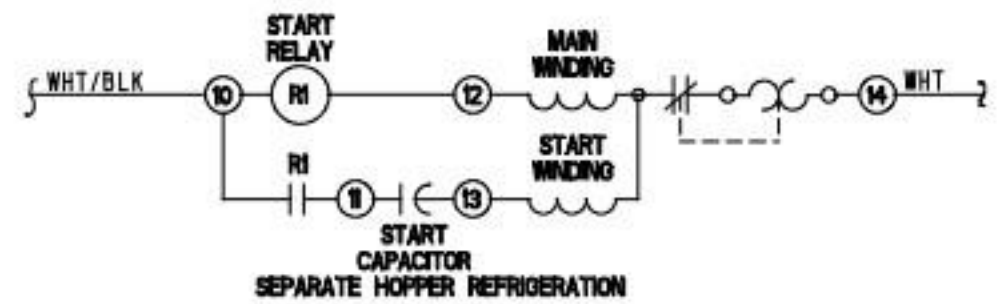
GROUND FRAME SECURELY



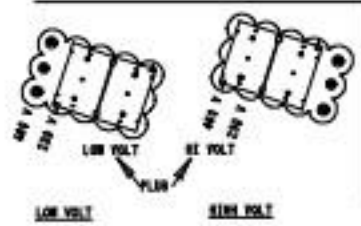
Model 741  
063287-40  
6/15/11



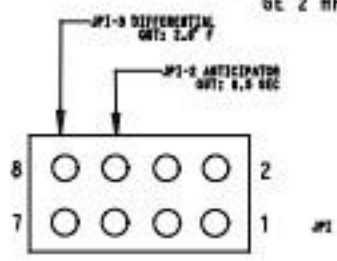
Model 741  
 063287-33  
 6/15/11



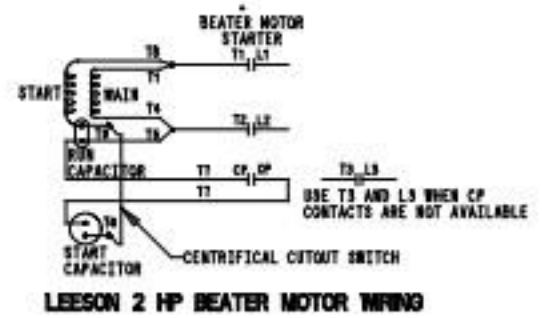
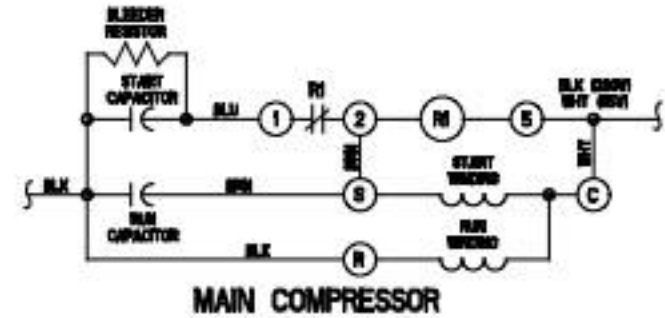
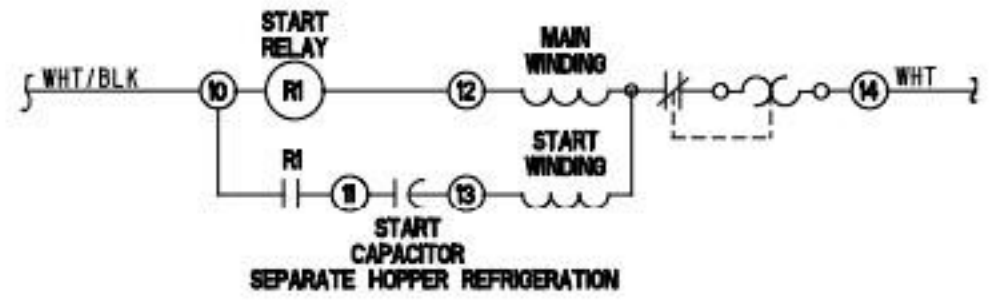
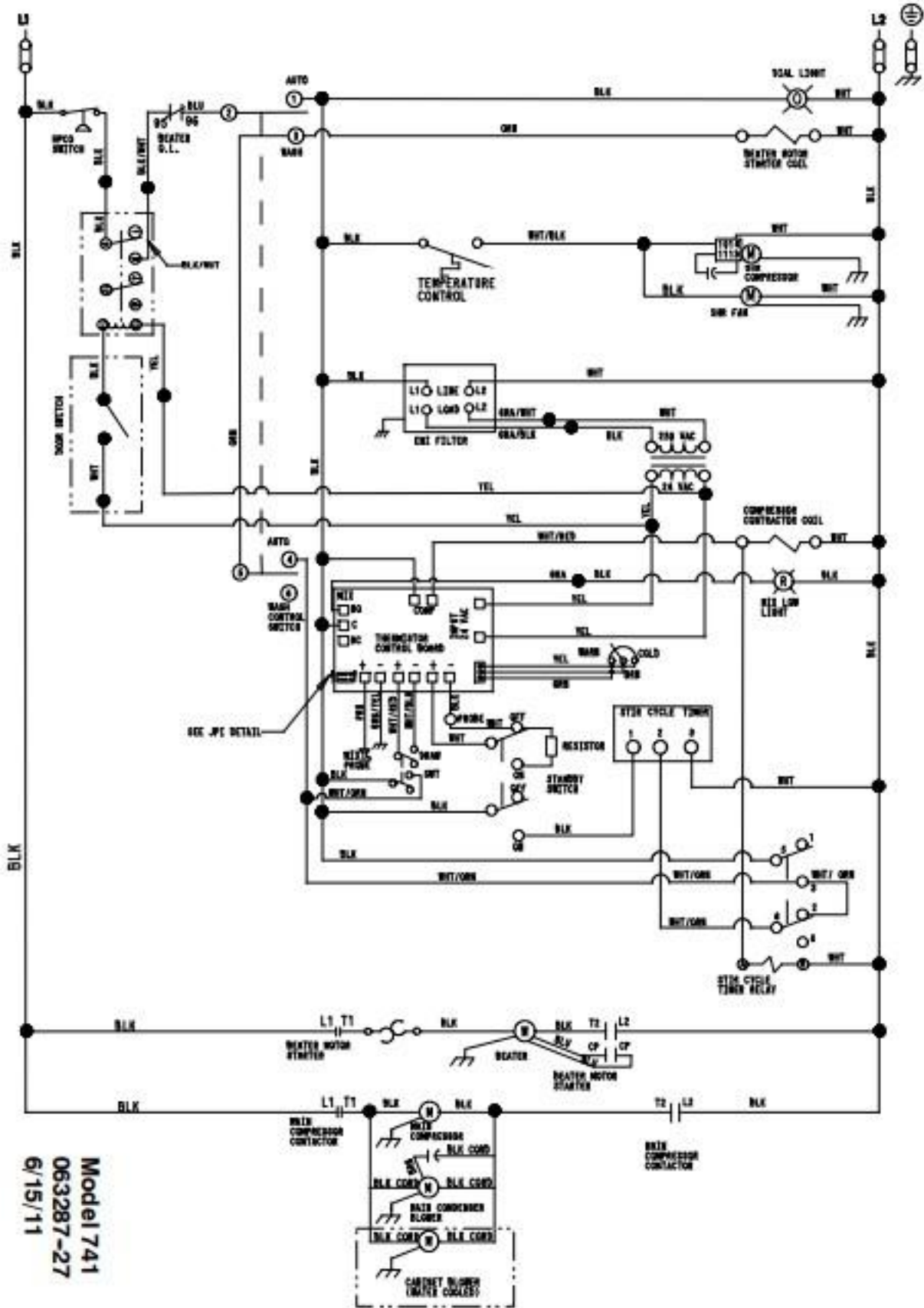
NOTE #1 - TO REVERSE ROTATION, INTERCHANGE ANY TWO LINE CONNECTIONS TO T1, T2 OR T3



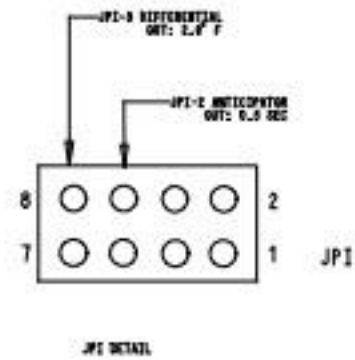
CONNECTIONS MADE BY FLUX  
 LOW VOLT = 1 TO 4, 2 TO 7, 3 TO 8  
 HIGH VOLT = 4 TO 7, 5 TO 8, 6 TO 8



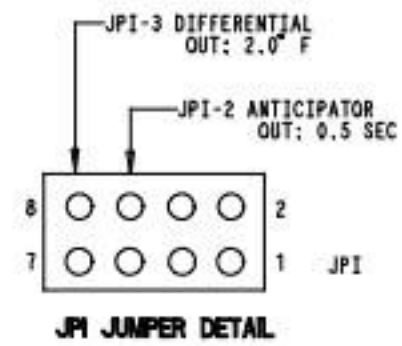
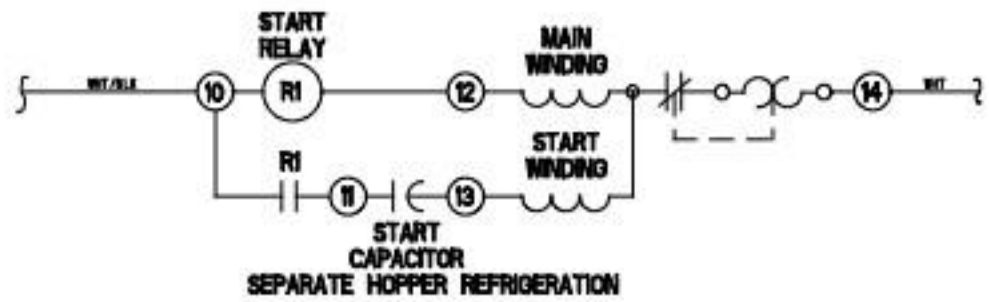
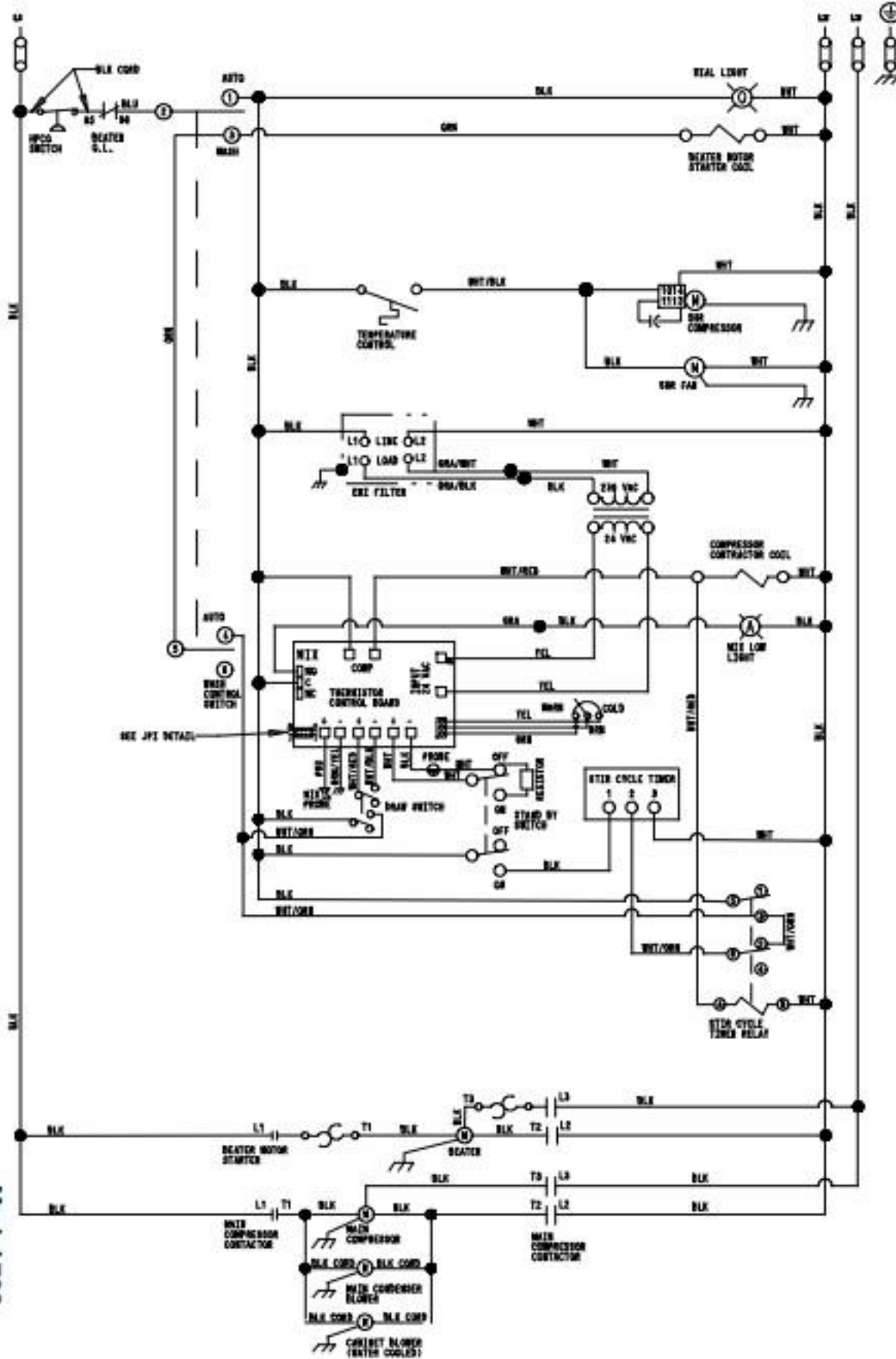
GROUND FRAME SECURELY. COMPRESSOR & MOTOR PROTECTED UNDER PERMIT SCHEMATIC CONNECTIONS



GROUND FRAME SECURELY

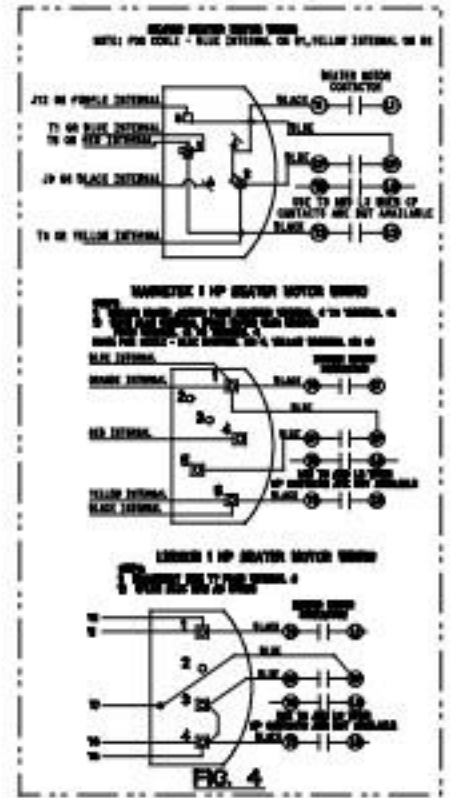
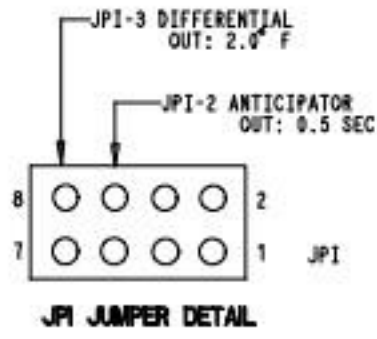
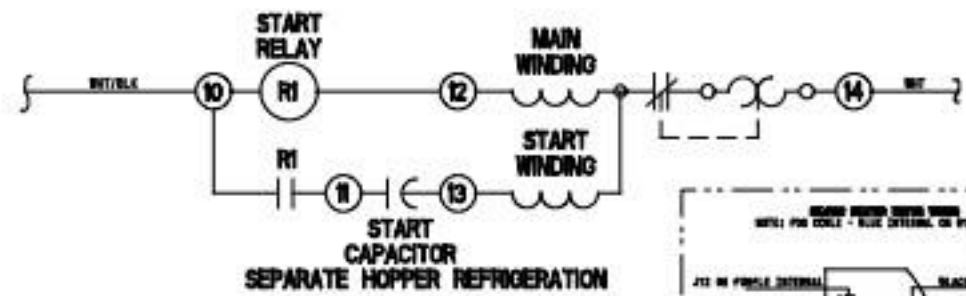
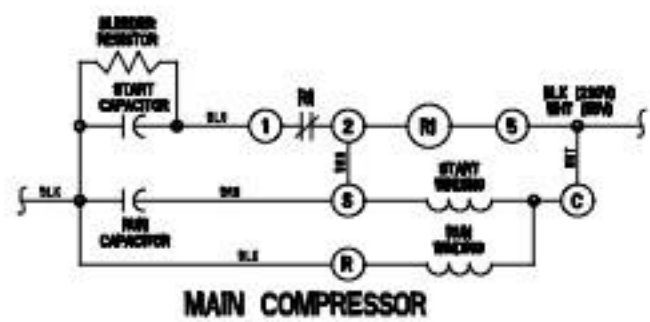
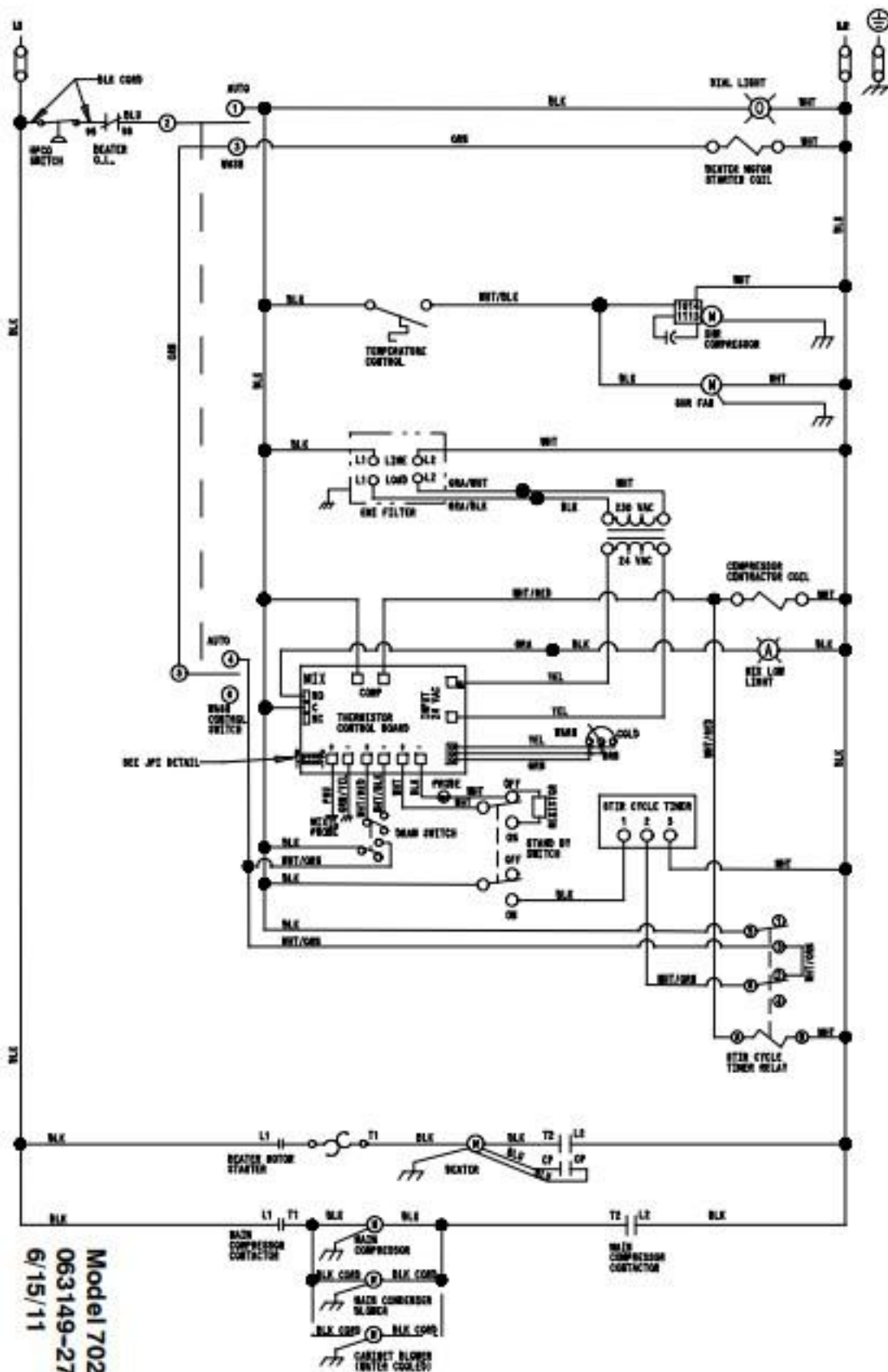


JP1 DETAIL



**GROUND FRAME SECURELY**  
 COMPRESSOR & BEATER PROTECTED UNDER  
 PRIMARY SINGLE PHASING CONDITIONS.

Model 702  
 063149-33  
 6/15/11



**GROUND FRAME SECURELY**  
 COMPRESSOR & BEATER PROTECTED UNDER  
 PRIMARY SINGLE PHASING CONDITIONS.

Model 702  
 063149-27  
 6/15/11