

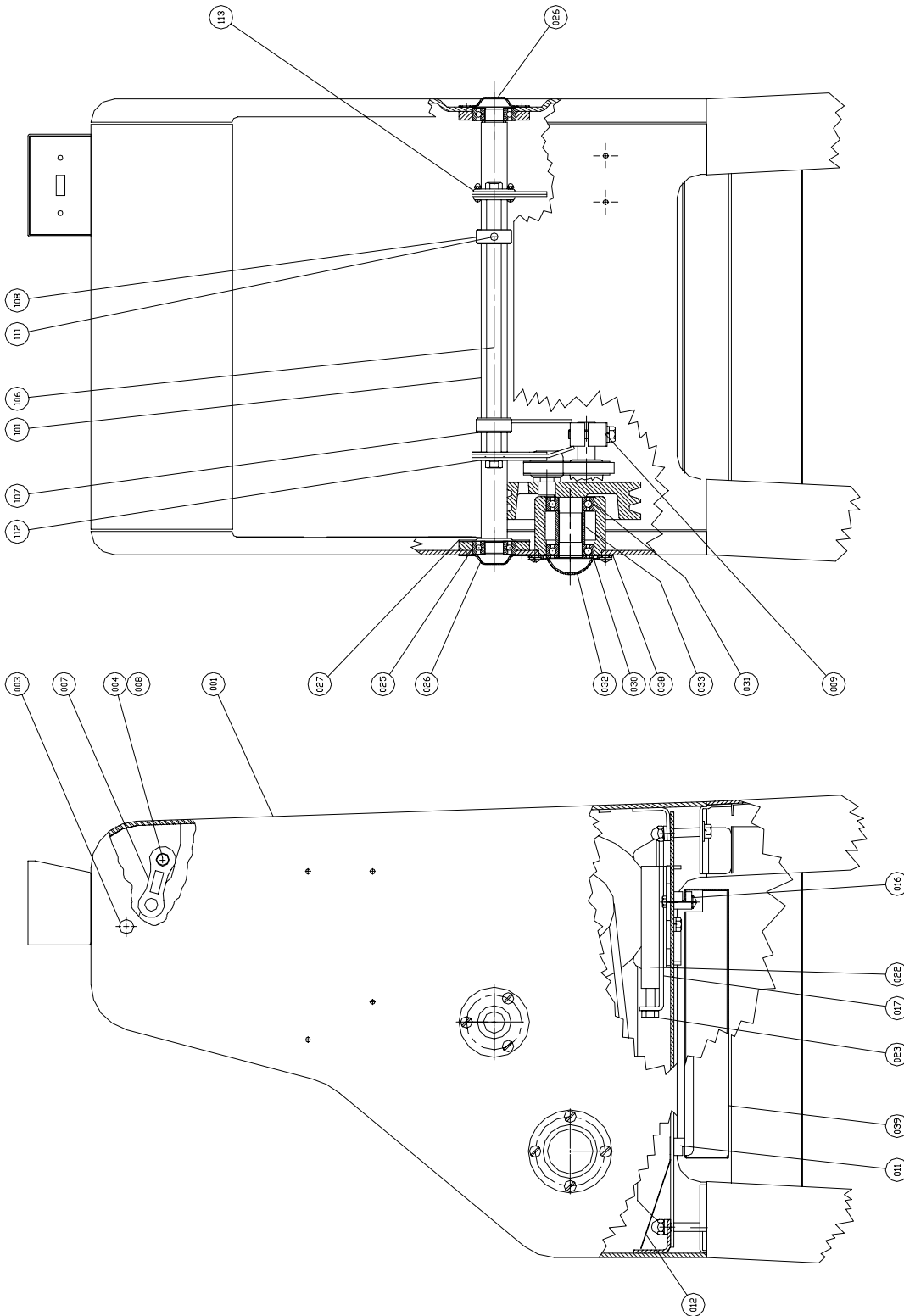
RECOMMENDED SPARE PARTS

<u>PART NUMBER</u>	<u>PART DESCRIPTION</u>	<u>NO. REQ'D</u>
5835-7705	Clip-Hairpin	2
0777-0034	Pin-Eccentric	2
0797-0059-2	Pin-Blade Frame	2
0711-0002	Link-Top	2
5601-1966*	Belt-V 4L36-1/2 (60 Cycle Machines)	1
5709-1125*	Switch-Starter (1 Phase Machines)	1
5220-5001	Bearing-Driven Pulley (With Snap Ring)	1
5220-5040	Bearing-Driven Pulley	1
0797-0058-1	Stud-Driven Pulley	1
6904-6001	Gasket-Driven Pulley	1
0797-0071-3	Rod-Connecting	1
0797-0057-2	Stud-Swing	1
5220-4040	Bearing-Rocker Shaft	2
5220-0020	Bearing-Swing Shaft	4
6301-3609*	Motor-1/2 HP, 1-60-115/230	1
0797-0029-1	Knife-Type A	As Req'd.

***For Other Electrics Contact the Factory**

For Service Parts Call Oliver Products @ 800-253-3893
Rev. 8/2604

MAIN FRAME/ROCKER ASSEMBLY



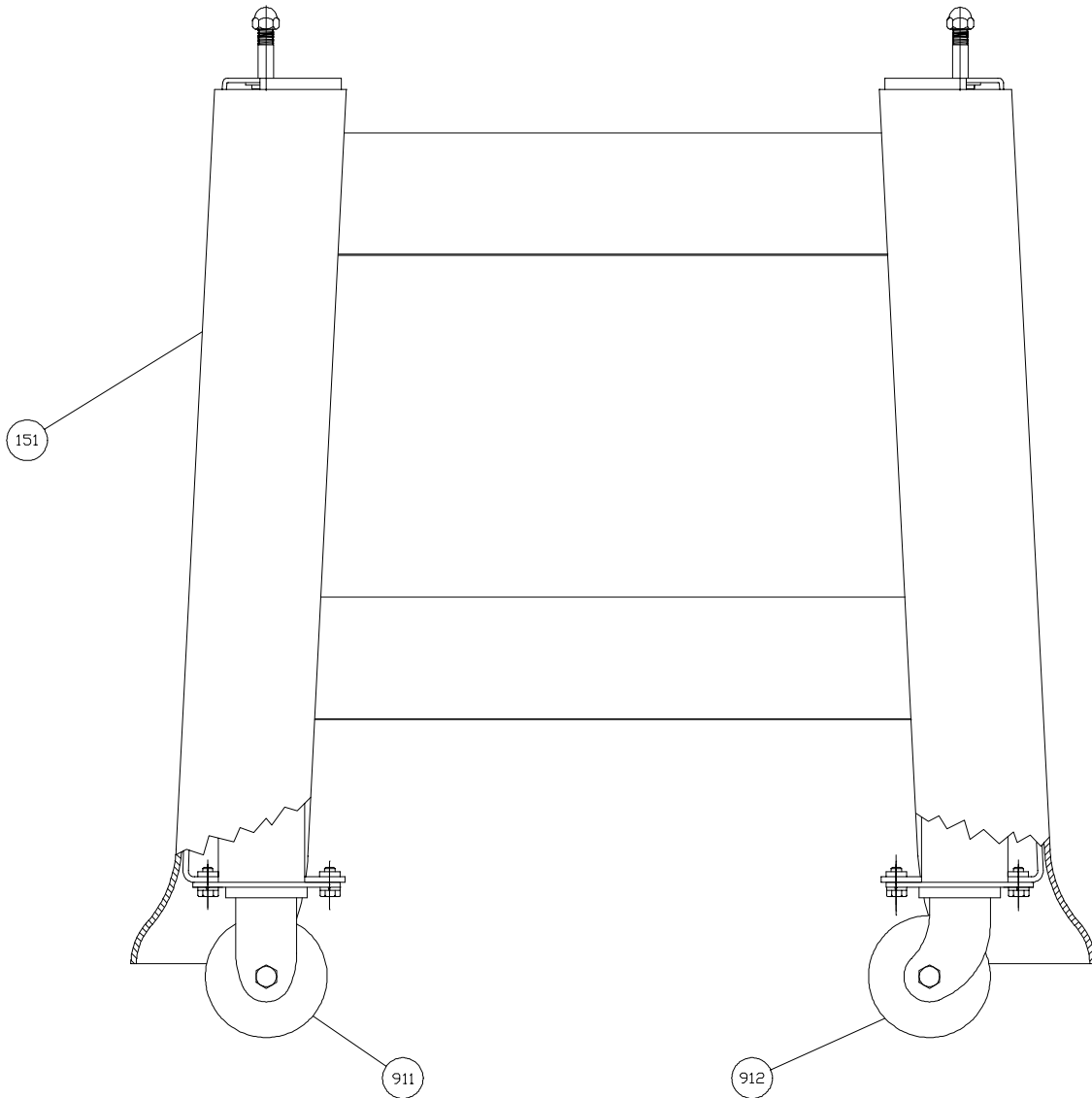
MAIN FRAME/ROCKER PARTS LIST

ITEM NO	PART DESCRIPTION	PART NUMBER
001	FRAME-MAIN	0797-3000
003	PLUG-5/8 HOLE	5769-3005
004	PIN-ECCENTRIC	0777-0034
007	LINK-BLADE FRAME	0711-0002
008	CLIP-HAIRPIN	5835-7705
009	CLAMP-ROCKER	0797-0047-003
011	SLIDE-DRAWER	0797-0053
012	BAFFLE-CRUMB	0797-0117
016	SLIDE-DRAWER (NOTCHED) (W/O BASE)	0797-0053-001
	SLIDE-DRAWER (NOTCHED) (W/BASE)	0797-0053-004
017	BRACKET-MOTOR	0797-0051-2
022	CLAMP-MOTOR BRACKET	0797-0078-2
023	BOLT-SPECIAL	5842-1532
025	BEARING-BALL	5220-4040
026	CAP-BALL BEARING (OUTSIDE)	4090-0233-0023
027	CAP-BALL BEARING (INSIDE)	4090-0233-0021
030	BEARING-BALL (W/SNAP RING)	5220-5001
031	BEARING-BALL	5220-5040
032	CAP-BALL BEARING (DR PULLEY)	4090-0244-0005
033	COLLAR-SPACING	4130-0132-0204
038	GASKET-CORK	6904-6001
039	TRAY- CRUMB (W/O BASE)	0797-0054
	TRAY-EXTRA CAP. CRUMB (W/BASE)	0797-3079
101	ROCKER	0797-0047-2
106	SHAFT-SWING	0797-0060
107	COLLAR-HOLD DOWN	0797-0031-001
108	COLLAR-LOCATING	0797-0031-1
111	SCREW-SOCKET SET 3/8-16 X 1/4	5842-6156
112	BEARING-BALL	5220-0020
113	CAP-BALL BEARING	4090-0232-0004

FOR SERVICE PARTS CALL OLIVER PRODUCTS @ 800-253-3893

Rev. 9/16/04

BASE/CASTER& FEET ASSEMBLY



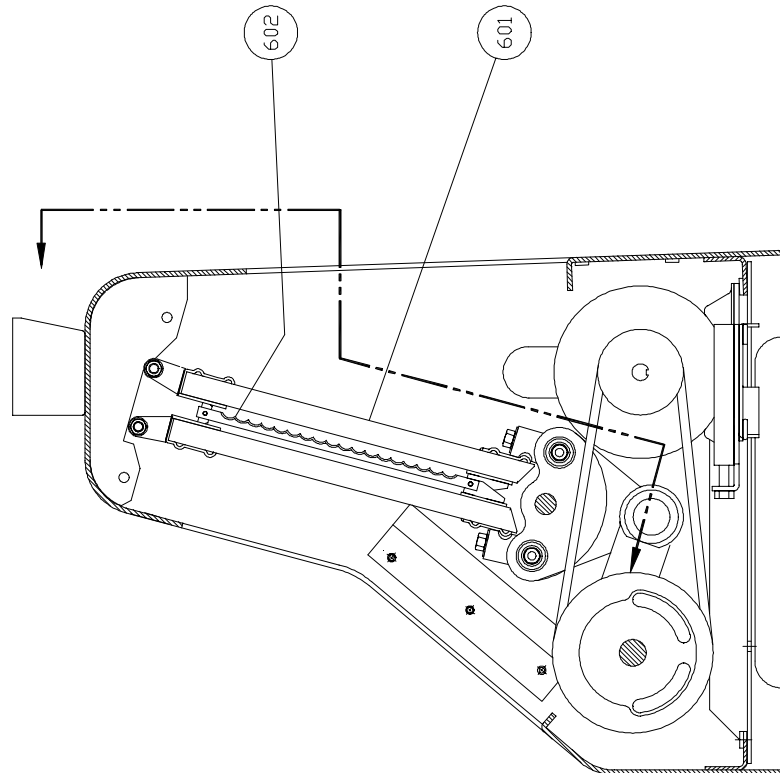
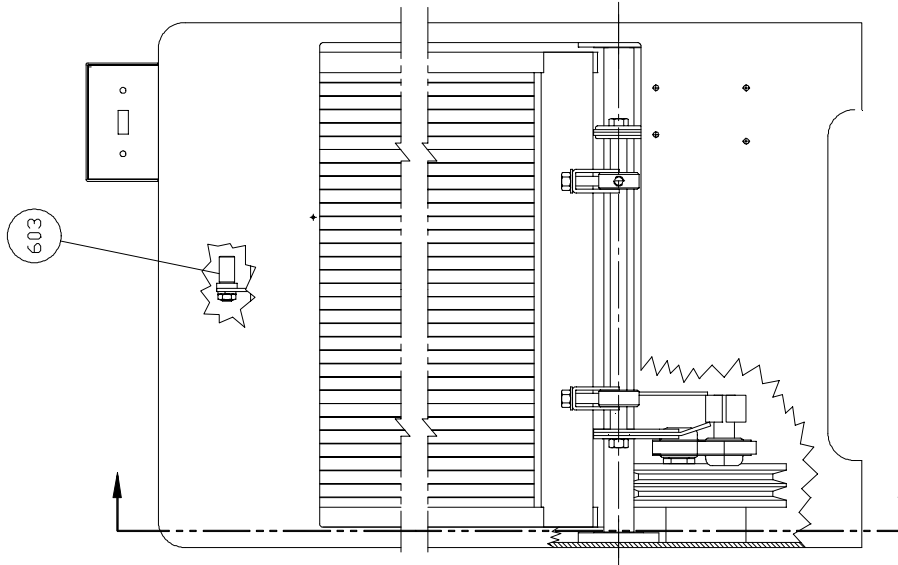
BASE/CASTER PARTS LIST

ITEM NO	PART DESCRIPTION	PART NUMBER
151	BASE-16" CASTER	0797-3068
152*	FOOT-RUBBER (UNITS W/O BASE)	0797-3257
911	CASTER-3" RIGID	5902-2363
912	CASTER-3" SWIVEL	5902-2364

* Not Shown on Drawing

FOR SERVICE PARTS CALL OLIVER PRODUCTS @ 800-253-3893

BLADE FRAME ASSEMBLY



BLADE FRAME PARTS LIST

ITEM NO	PART DESCRIPTION	PART NUMBER
601*	FRAME-BLADE	0797-0300-5XX
602	KNIFE-TYPE A	0797-0029-1
603	PIN-BLADE FRAME	0797-0059-2
612**	TOOL-BLADE CHANGING	0797-0183

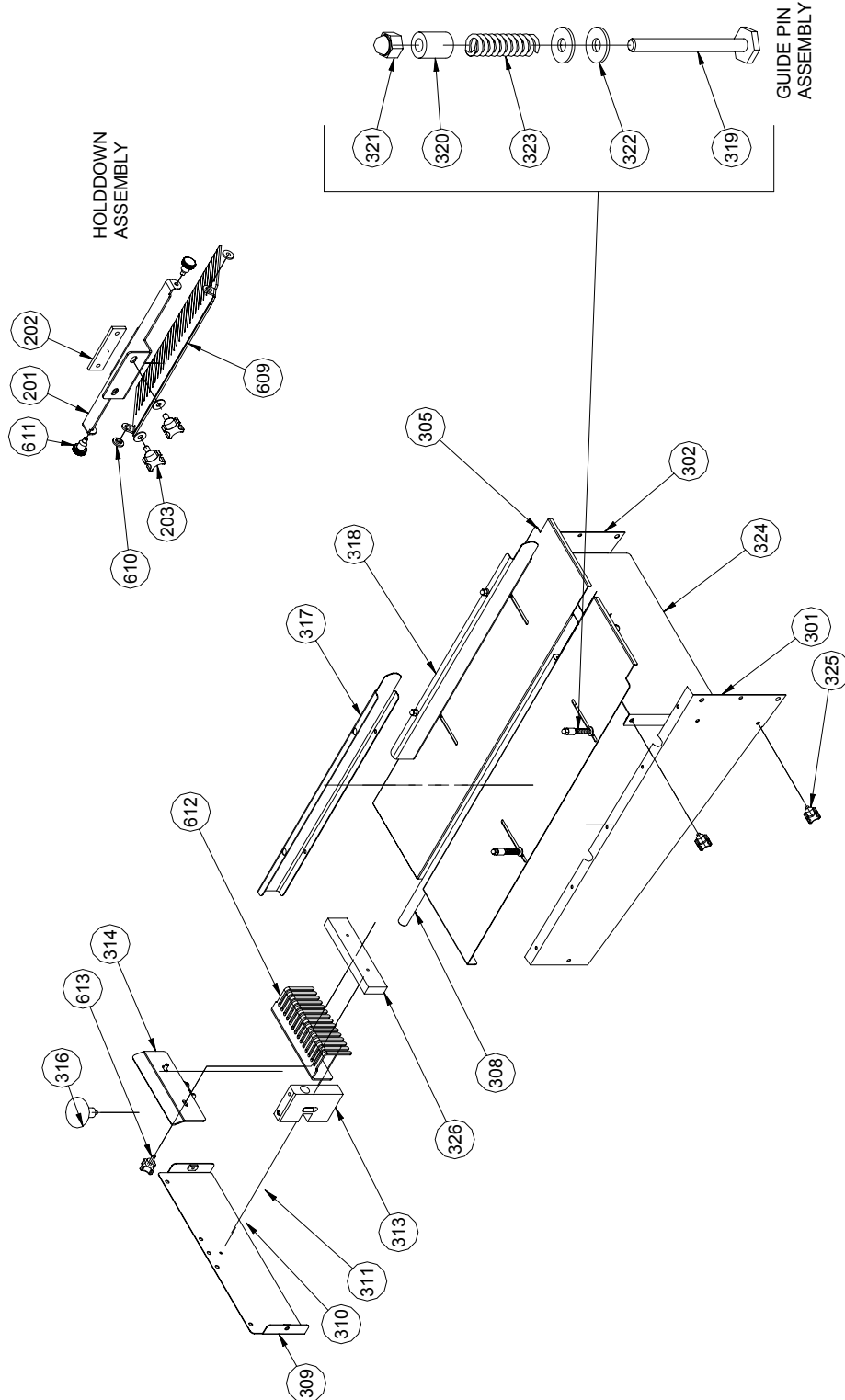
* Specify Slice Thickness

** Not Shown on Drawing

FOR SERVICE PARTS CALL OLIVER PRODUCTS @ 800-253-3893

Rev. 8/27/04

32 INCH COMBINATION INFEEED CHUTE ASSEMBLY



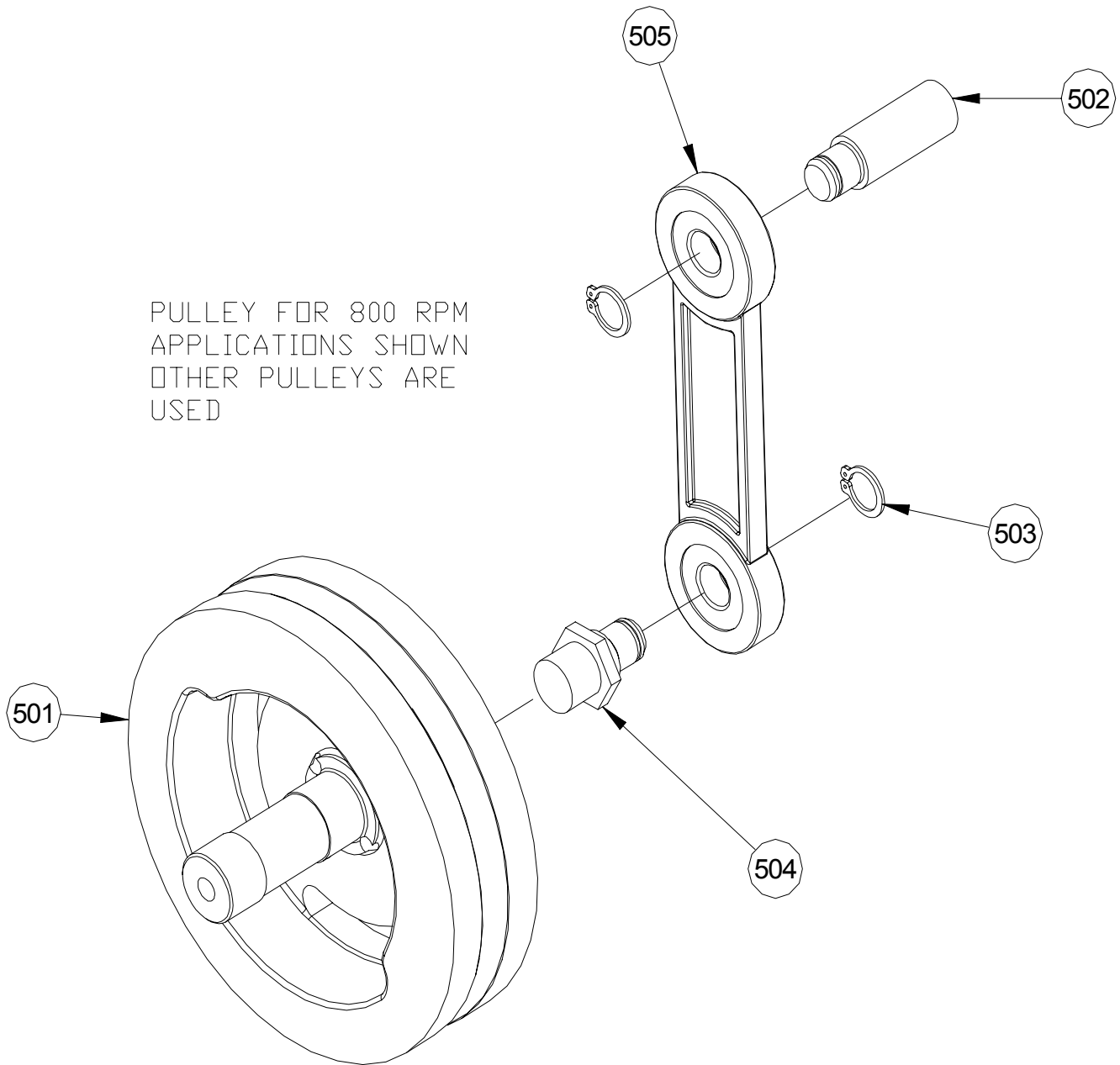
32 INCH COMBINATION INFEED CHUTE PARTS LIST

ITEM NO	PART DESCRIPTION	PART NUMBER
201	BRACKET-HOLDDWON	0797-3441-1
202	NUTBAR 3/8-16	0797-3440
203	SCREW-CLAMP	4560-2512-1113
301	BRACE-RH 32" COMBI CHUTE	0797-3429-0001
302	BRACE-LH 32" COMBI CHUTE	0797-3429-0002
305	TOP-32" COMBI CHUTE	0797-3430
308	ROD-32" PUSHER GUIDE	0797-3431
309	COVER-END	0797-3432
310	CLIP-SPRING	5902-9007
313	BLOCK-PUSHER GUIDE	0797-3433-002
314	PLATE-PUSHER MTG	0797-3434
316	KNOB-OVAL	5911-7121
317	GUIDE-RH 32" COMBI SIDE	0797-3436-0001
318	GUIDE-LH 32" COMBI SIDE	0797-3436-0002
319	PIN-SIDE GUIDE	0797-3414
320	SPACER	0797-3415
321	NUT-ACORN	5832-0590
322	WASHER-NYLON	5851-8120
323	SPRING-COMPRESSION	7012-3107
324	GUARD-CHUTE	0797-3437
325	KNOB-W/STUD 1/4-20	4560-2508-1109
326	WEIGHT - 8" PUSHER	0797-3438
326	WEIGHT - 14" PUSHER	0797-3438-001
609*	HOLDDOWN-8" PUSHER	0797-3442-1XX
610	BUSHING	0777-0065
611	SCREW-CLAMP 3/8-16	4560-2512-1106
612*	PUSHER - 8" COMBI	0797-3435-0XX
612*	PUSHER -14" COMBI	0797-3435-1XX
613	SCREW-CLAMP 1/4-20	4560-2508-1110

*Specify Slice Thickness

FOR SERVICE PARTS CALL OLIVER PRODUCTS @ 800-253-3893
 Rev. 8/26/05

DRIVEN PULLEY ASSEMBLY

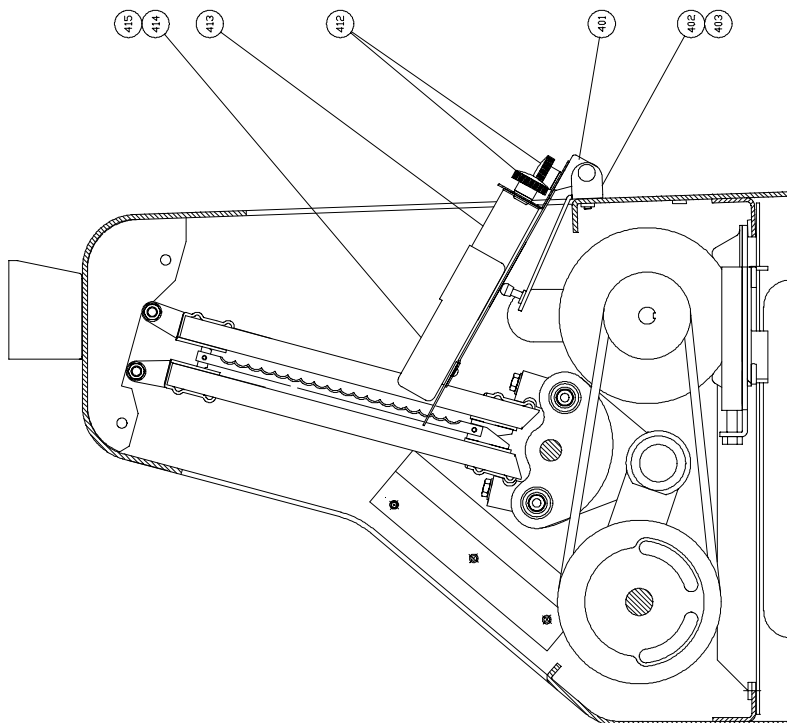
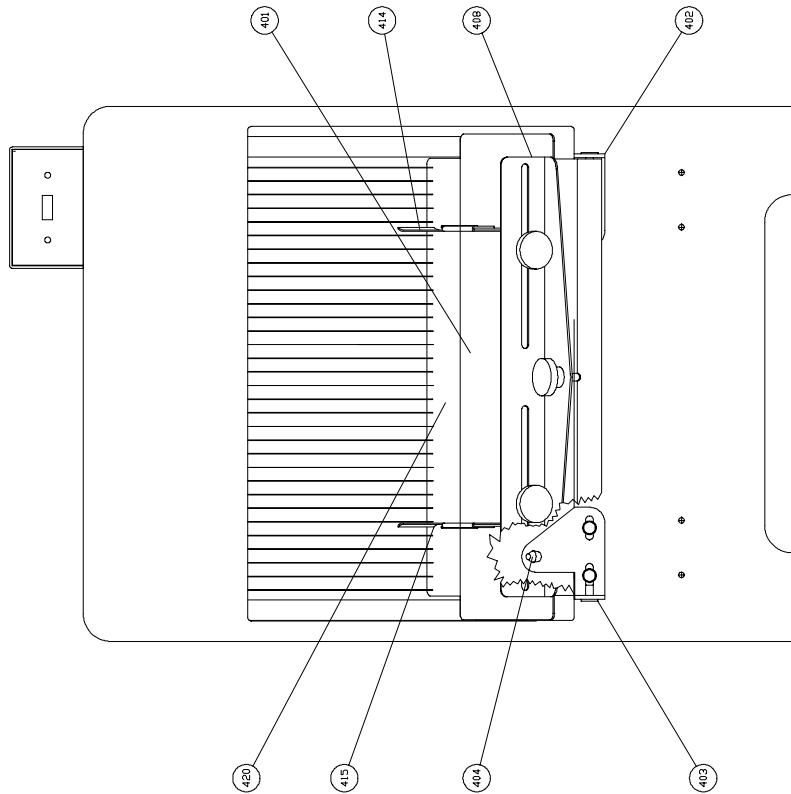


DRIVEN PULLEY PARTS LIST

ITEM NO	PART DESCRIPTION	PART NUMBER
501	PULLEY (32" CHUTES)	0797-0049-103
501	PULLEY (48" CHUTES)	0797-3370
502	STUD-SWING	0797-0057-2
503	RING-RETAINING	5840-2825
504	STUD	0797-0058-1
505	ROD-CONNECTING	0797-0071-3

FOR SERVICE PARTS CALL OLIVER PRODUCTS @ 800-253-3893
REV. 2/9/04

STANDARD OUTFEED ASSEMBLY



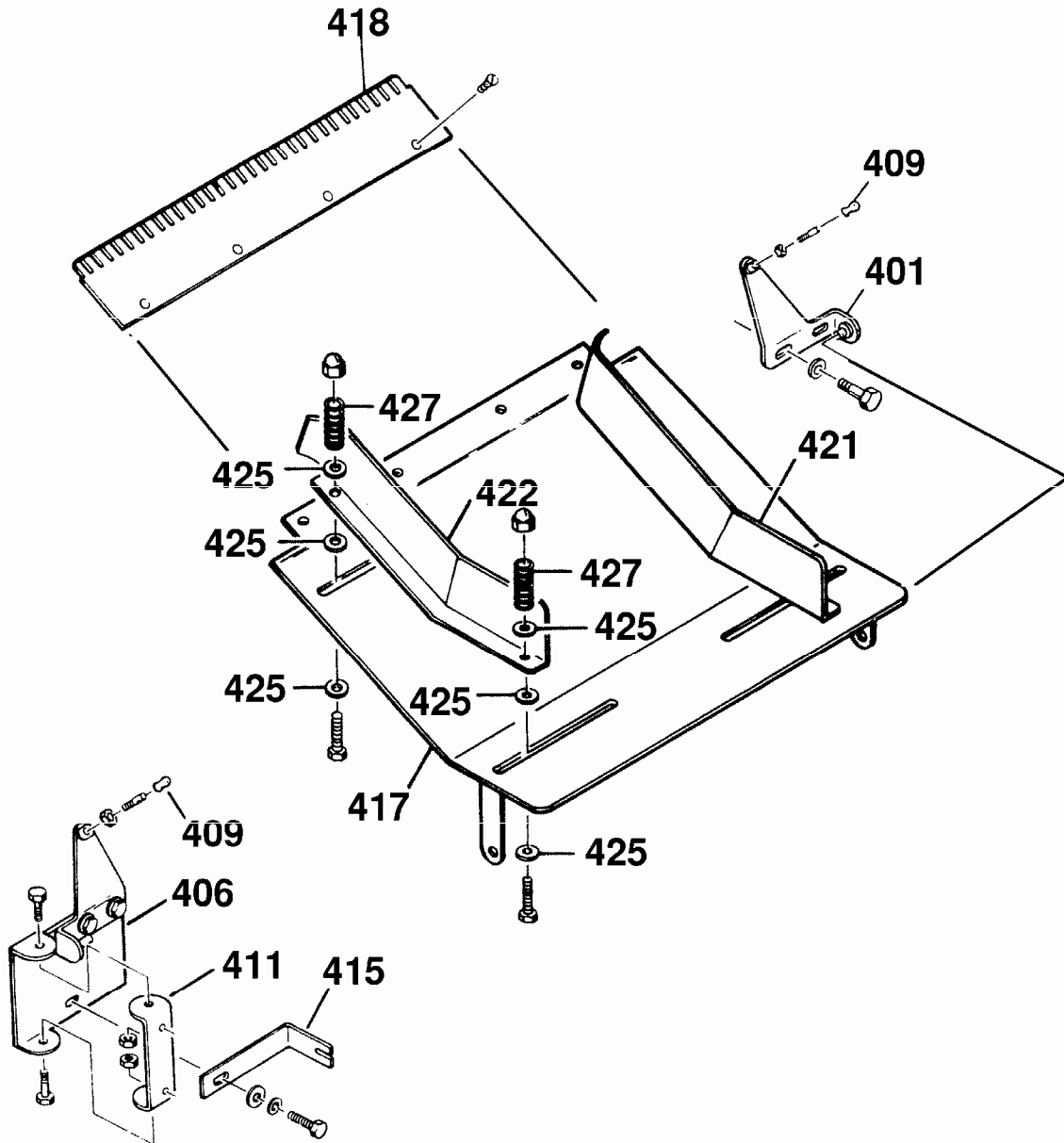
STANDARD OUTFEED PARTS LIST

ITEM NO	PART DESCRIPTION	PART NUMBER
401	TABLE-STANDARD OUTFEED	0797-0143-1
402	BRACKET- RH OUTFEED TABLE	0797-3013-0001
403	BRACKET- LH OUTFEED TABLE	0797-3013-0002
404	CAP-NEOPRENE	5106-8920
408	STOP-BREAD	0797-0141
412	KNOB	5911-7000
413	GUIDE-BREAD	0797-0284
414	EXTENSION-RH GUIDE	0797-0285-0001
415	EXTENSION-LH GUIDE	0797-0285-0002
420*	LIP-TABLE	0797-3001-0XX

* Specify Slice Thickness

FOR SERVICE PARTS CALL OLIVER PRODUCTS @ 800-253-3893

BAGGER OUTFEED ASSEMBLY



BAGGER OUTFEED PARTS LIST

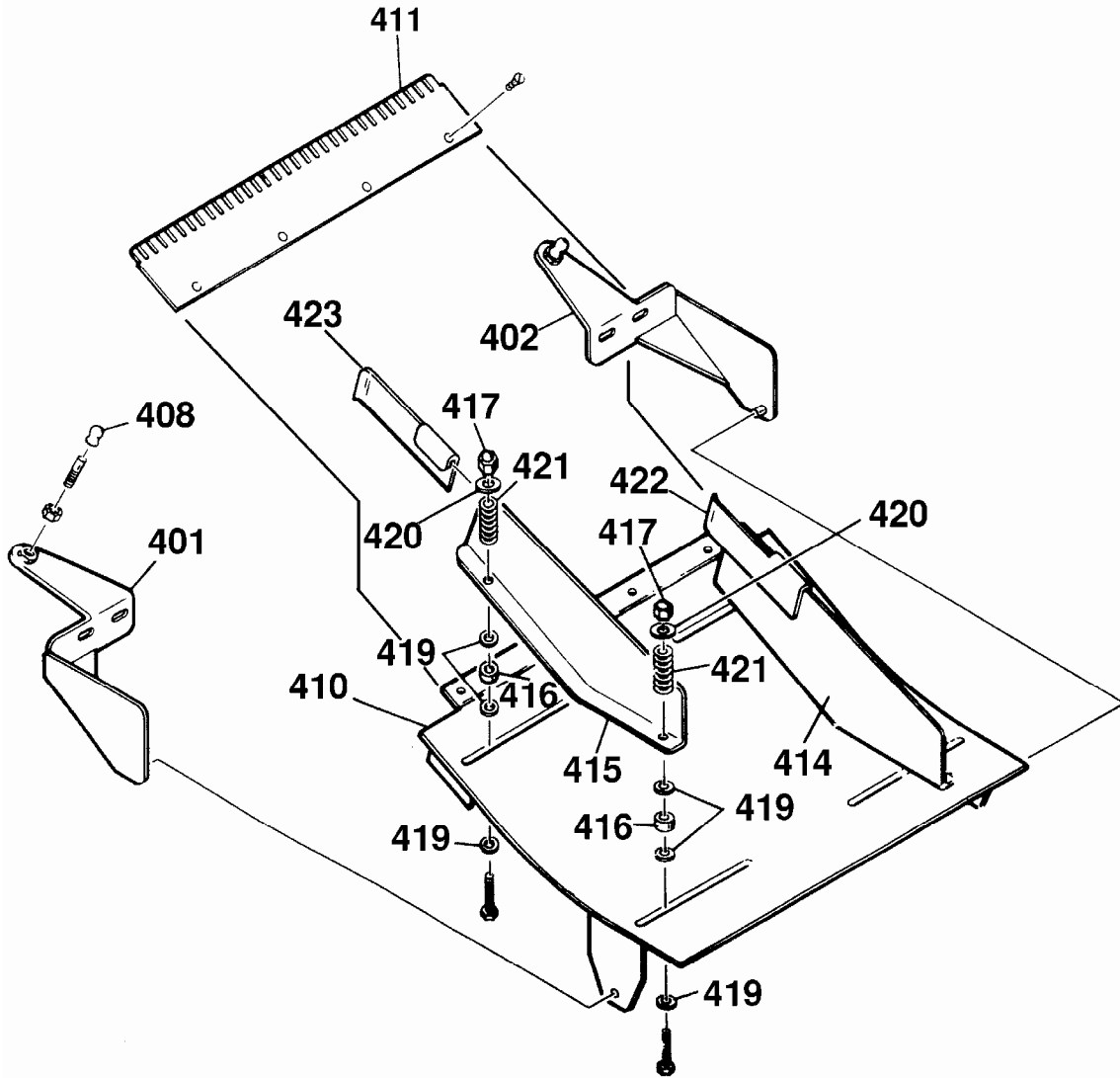
ITEM NO	PART DESCRIPTION	PART NUMBER
401	BRACKET	0797-3013-0001
406	BRACKET-PIVOT RH	1179-0010-0001
409	CAP-NEOPRENE	5106-8920
411	BRACKET-CASE MOUNTING	1179-0011
415	BRACKET-CASE	1179-0012
417	TABLE-OUTFEED	1179-0008
418*	LIP-TABLE	0797-3001-0XX
421	GUIDE-SIDE RH	1179-0009-0001
422	GUIDE-SIDE LH	1179-0009-0002
425	WASHER-NYLON	5851-8120
427	SPRING-COMPRESSION	7013-2100
428**	WEIGHT-COUNTER	0797-3080-001

* Specify Slice Thickness

** Not Shown on Drawing

FOR SERVICE PARTS CALL OLIVER PRODUCTS @ 800-253-3893

CURVED OUTFEED ASSEMBLY



CURVED OUTFEED PARTS LIST

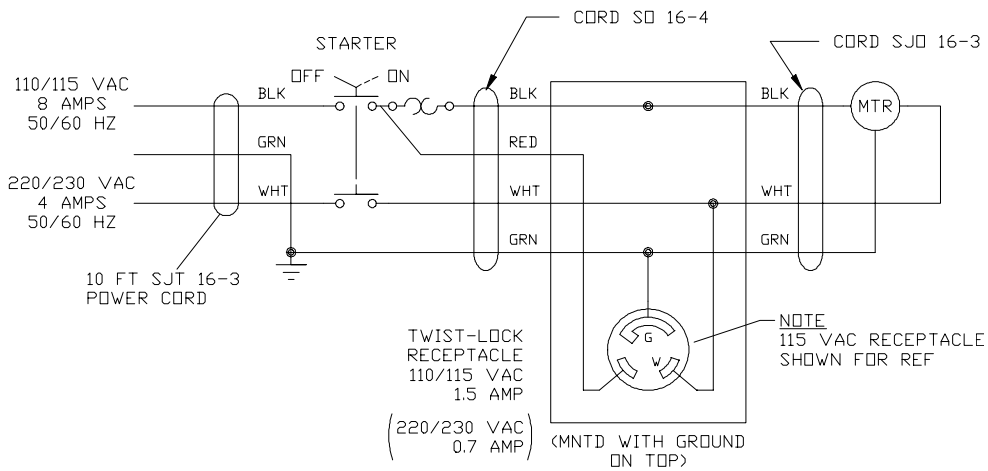
ITEM NO	PART DESCRIPTION	PART NUMBER
401	BRACKET-HINGE RH	0797-3040-1001
402	BRACKET-HINGE LH	0797-3040-1002
408	CAP-NEOPRENE	5106-8920
410	TABLE-CURVED	0797-3029-1
411*	LIP-TABLE	0797-3001-0XX
414	GUIDE-SIDE RH	0797-3030-1001
415	GUIDE-SIDE LH	0797-3030-1002
416	COLLAR-FILLING	4130-0708-0003
417	NUT-ACORN ¼-20	5832-0590
419	WASHER-NYLON	5851-8120
420	WASHER-STAINLESS STEEL	5851-9304
421	SPRING-COMPRESSION	7013-2100
422	EXTENSION-RH	0797-0285-0001
423	EXTENSION-LH	0797-0285-0002

* Specify Slice Thickness

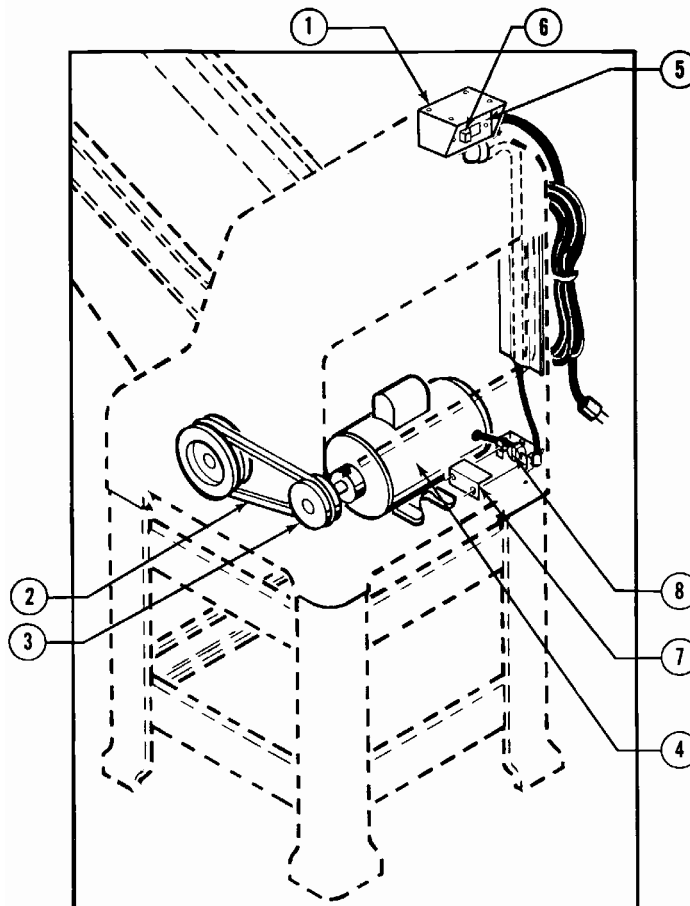
FOR SERVICE PARTS CALL OLIVER PRODUCTS @ 800-253-3893

SINGLE PHASE ELECTRICAL

Wiring Diagram (Single Phase)



Single Phase Electrical Assembly Drawing



Parts List 1/2 HP, 115 VAC, 60 Hertz, 1 Phase

ITEM NO	PART DESCRIPTION	PART NUMBER
1	ENCLOSURE-SWITCH	0797-3393-001
2	BELT-V (4L36-1/2)	5601-1966
3	PULLEY-MOTOR (32" CHUTES)	4575-7103-2001
3	PULLEY-MOTOR (48" CHUTES)	4575-7103-2004
4	MOTOR	6301-3609
5	COVER-SWITCH ENCLOSURE	0797-3394-001
6	SWITCH-STARTER	5709-1125
7	COVER-RECEPTACLE ENCLOSURE	0797-3385
8	RECEPTACLE-110/115 VAC	5769-0524

Parts List 1/2 HP, 230 VAC, 60 Hertz, 1 Phase

ITEM NO	PART DESCRIPTION	PART NUMBER
1	ENCLOSURE-SWITCH	0797-3393-001
2	BELT-V (4L36-1/2)	5601-1966
3	PULLEY-MOTOR (32" CHUTES)	4575-7103-2001
3	PULLEY-MOTOR (48" CHUTES)	4575-7103-2004
4	MOTOR	6301-3609
5	COVER-SWITCH ENCLOSURE	0797-3394-001
6	SWITCH-STARTER	5709-1125
7	COVER-RECEPTACLE ENCLOSURE	0797-3385
8	RECEPTACLE-220/230 VAC	5769-0523

Parts List 1/2 HP, 110 VAC, 50 Hertz, 1 Phase

ITEM NO	PART DESCRIPTION	PART NUMBER
1	ENCLOSURE-SWITCH	0797-3393-001
2	BELT-V (4L36-1/2) (32" CHUTES)	5601-1966
2	BELT-V (XDV48-380) (48" CHUTES)	5601-1969
3	PULLEY-MOTOR (32" CHUTES)	4575-7104-2002
3	PULLEY-MOTOR (48" CHUTES)	4575-7104-2005
4	MOTOR	6301-3940
5	COVER-SWITCH ENCLOSURE	0797-3394-001
6	SWITCH-STARTER	5709-1125
7	COVER-RECEPTACLE ENCLOSURE	0797-3385
8	RECEPTACLE-110/115 VAC	5769-0524

Parts List 1/2 HP, 220 VAC, 50 Hertz, 1 Phase

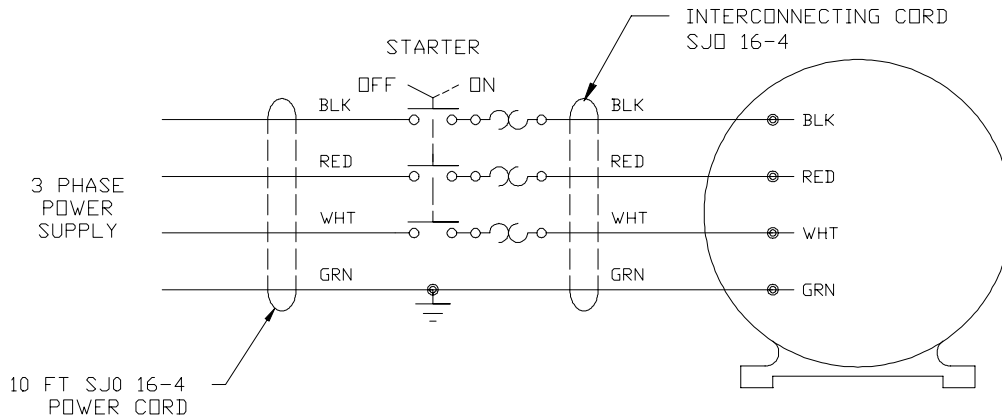
ITEM NO	PART DESCRIPTION	PART NUMBER
1	ENCLOSURE-SWITCH	0797-3393-001
2	BELT-V (4L36-1/2) (32" CHUTES)	5601-1966
2	BELT-V (XDV48-380) (48" CHUTES)	5601-1969
3	PULLEY-MOTOR (32" CHUTES)	4575-7104-2002
3	PULLEY-MOTOR (48" CHUTES)	4575-7104-2005
4	MOTOR	6301-3940
5	COVER-SWITCH ENCLOSURE	0797-3394-001
6	SWITCH-STARTER	5709-1125
7	COVER-RECEPTACLE ENCLOSURE	0797-3385
8	RECEPTACLE-220/230 VAC	5769-0523

For Service Parts Call Oliver Products @ 800-253-3893

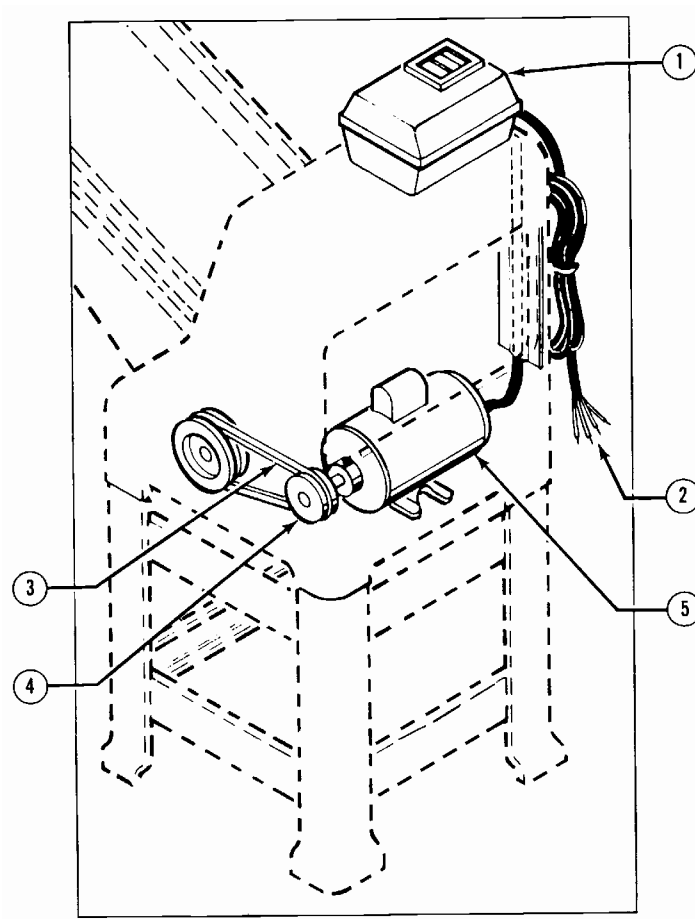
Rev 10-13-04

THREE PHASE ELECTRICAL

Wiring Diagram (Three Phase)



Three Phase Electrical Assembly Drawing



Parts List 1/2 HP, 208 VAC, 60 Hertz, 3 Phase

ITEM NO	PART DESCRIPTION	PART NUMBER
1	STARTER	5709-3034
2	CORD-POWER	0797-3426
3	BELT-V (4L36-1/2)	5601-1966
4	PULLEY-MOTOR (32" CHUTES)	4575-7103-2001
4	PULLEY-MOTOR (48" CHUTES)	4575-7103-2004
5	MOTOR	6301-3811

Parts List 1/2 HP, 230/460 VAC, 60 Hertz, 3 Phase

ITEM NO	PART DESCRIPTION	PART NUMBER
1	STARTER	5709-3034
2	CORD-POWER	0797-3426
3	BELT-V (4L36-1/2)	5601-1966
4	PULLEY-MOTOR (32" CHUTES)	4575-7103-2001
4	PULLEY-MOTOR (48" CHUTES)	4575-7103-2004
5	MOTOR	6301-3800

Parts List 1/2 HP, 220 VAC, 50 Hertz, 3 Phase

ITEM NO	PART DESCRIPTION	PART NUMBER
1	STARTER	5709-3034
2	CORD-POWER	0797-3426
3	BELT-V (4L36-1/2) (32" CHUTES)	5601-1966
3	BELT-V (XDV48-380) (48" CHUTES)	5601-1969
4	PULLEY-MOTOR (32" CHUTES)	4575-7104-2002
4	PULLEY-MOTOR (48" CHUTES)	4575-7104-2005
5	MOTOR	6301-3811

Parts List 1/2 HP, 380 VAC, 50 Hertz, 3 Phase

ITEM NO	PART DESCRIPTION	PART NUMBER
1	STARTER	5709-3034
2	CORD-POWER	0797-3426
3	BELT-V (4L36-1/2) (32" CHUTES)	5601-1966
3	BELT-V (XDV48-380) (48" CHUTES)	5601-1969
4	PULLEY-MOTOR (32" CHUTES)	4575-7104-2002
4	PULLEY-MOTOR (48" CHUTES)	4575-7104-2005
5	MOTOR	6301-3975

For Service Parts Call Oliver Products @ 800-253-3893

Rev 10-13-04