

87 Adam Street, Woburn, Massachusetts 01898
 Telephone: 617-244-1500

Specialize design and engineering of food service systems and equipment.

WIRING DIAGRAM FOR 115V VM 126 MOTOR & PUMP

Dr. Ag. 4, 1971A

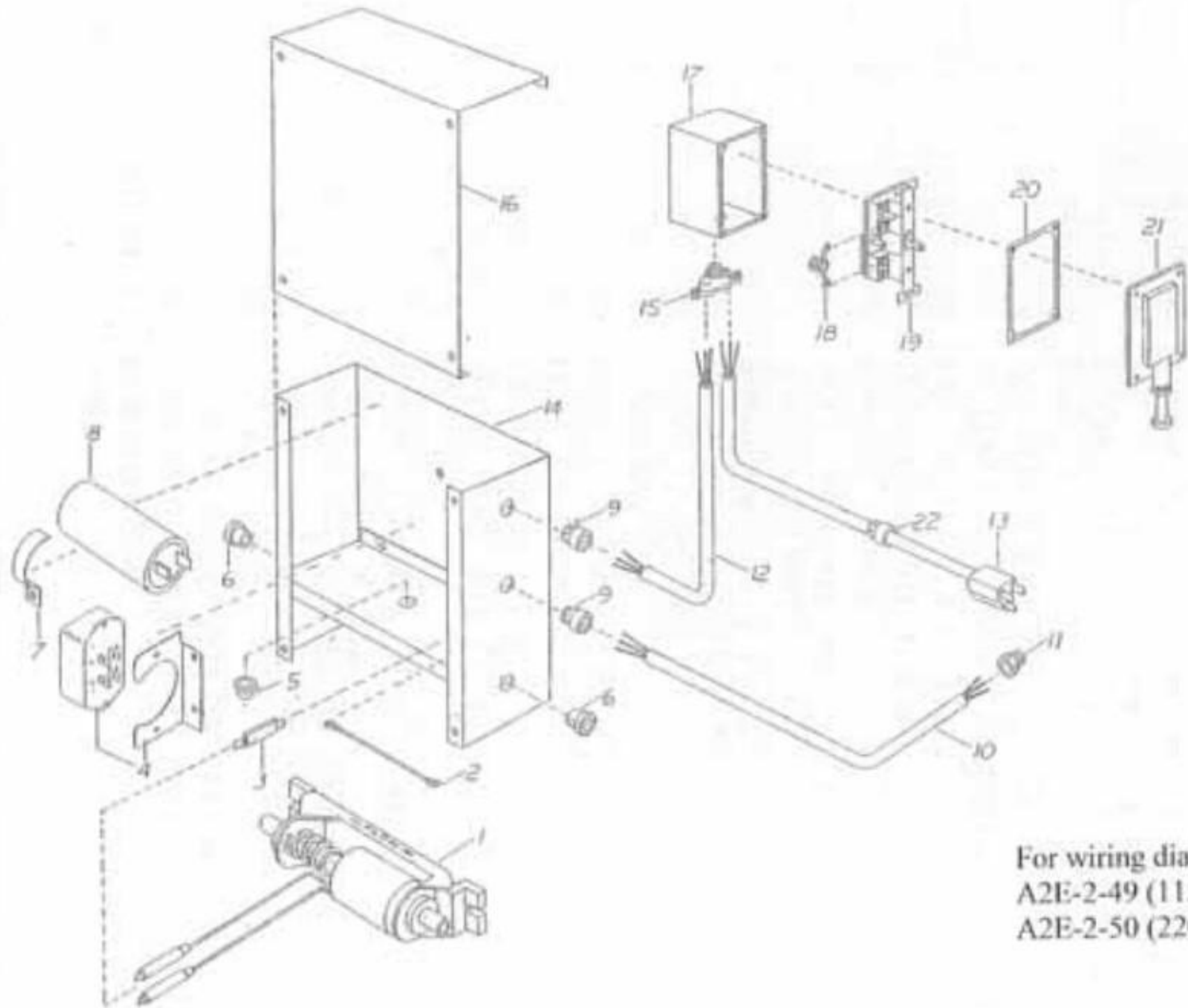
Scale: NONE

Des.

W. A2E-2-49

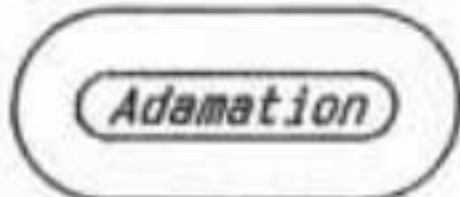
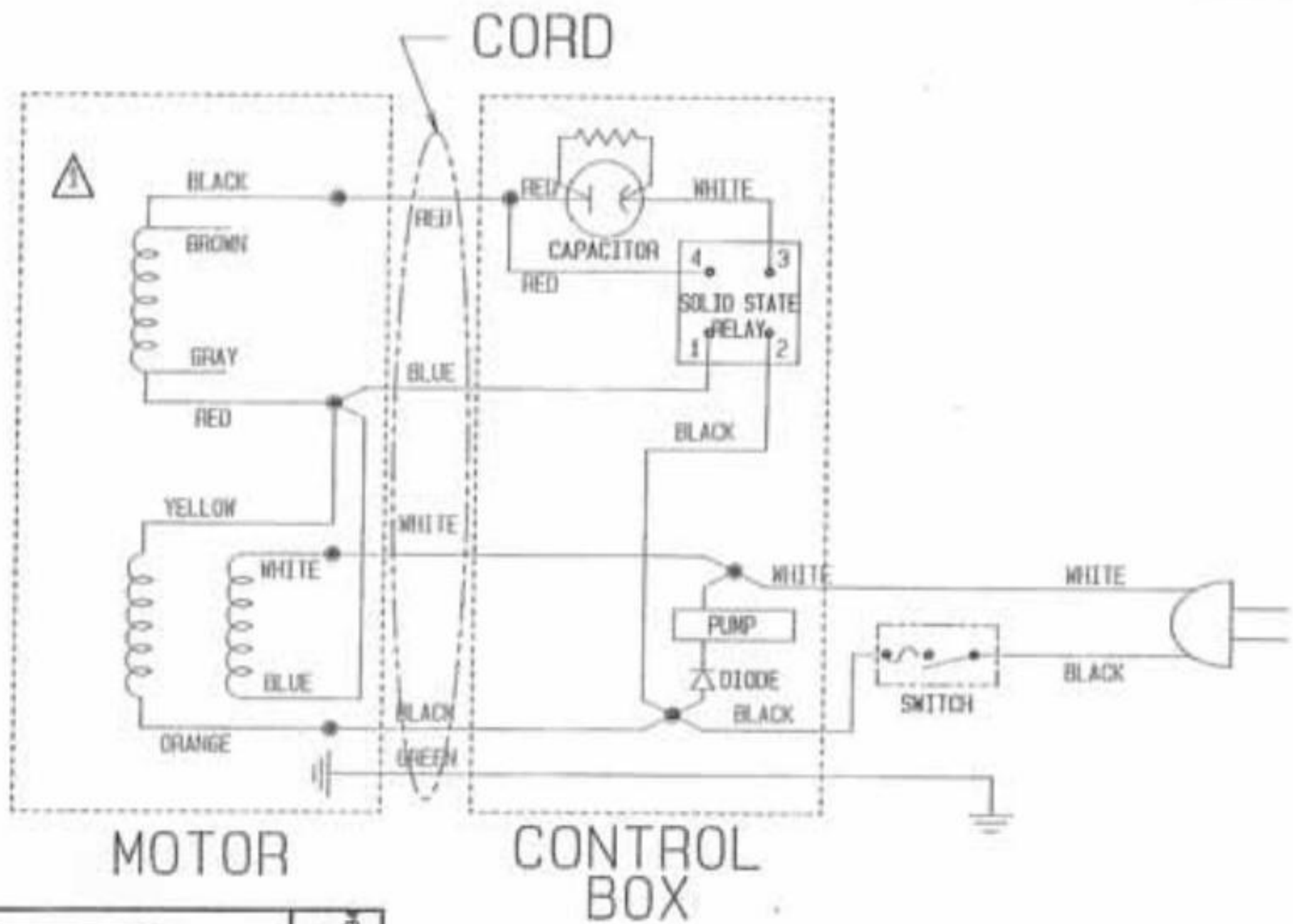
Date: 07 OCT 88

Ch. 49



For wiring diagrams, refer to:
A2E-2-49 (115V)
A2E-2-50 (220V)

**VM-126 ELECTRICAL ASSEMBLY
FIGURE 4**



67 Adams Street, Weymouth, Massachusetts 01978
 Telephone: (617) 264-7500
 Quality design and engineering of food service systems and equipment.

**WIRING DIAGRAM FOR 220V
 VM 126 MOTOR & PUMP**

REVERSE THE RED & BLACK MOTOR
 WIRE SEQUENCE. ECM USES MFT 8/23/94



| | | |
|-------------------|------------|-------------------|
| Dr. Eng. A. PAVIA | Scale: N/A | Fig. No. A2E-2-50 |
| Date: 12 OCT 89 | Dr. by: | |