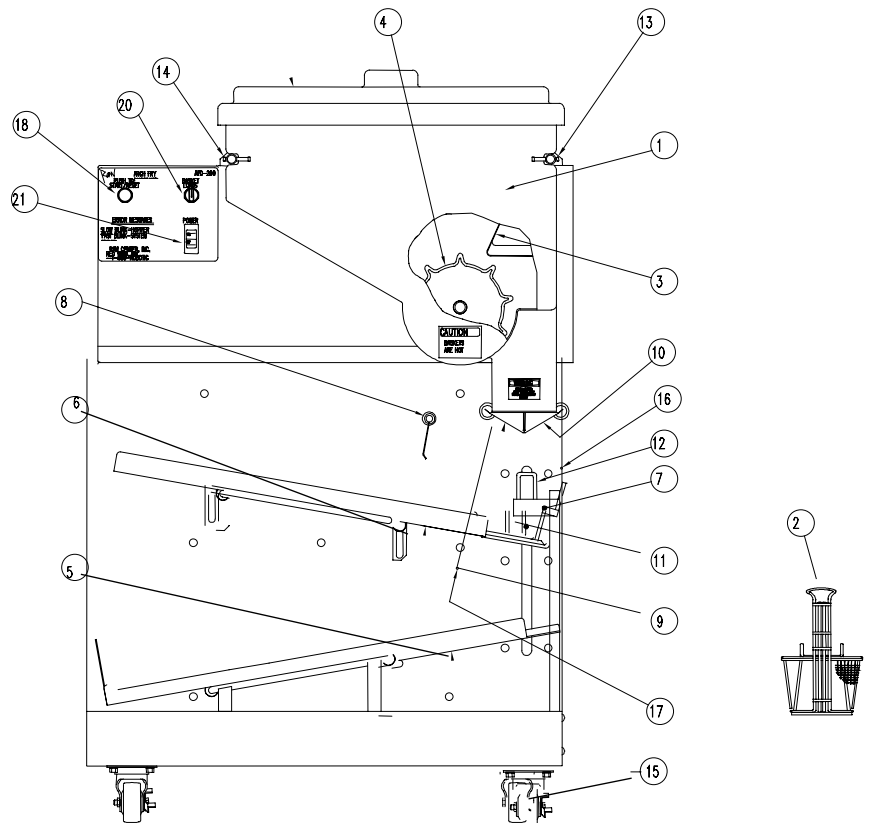


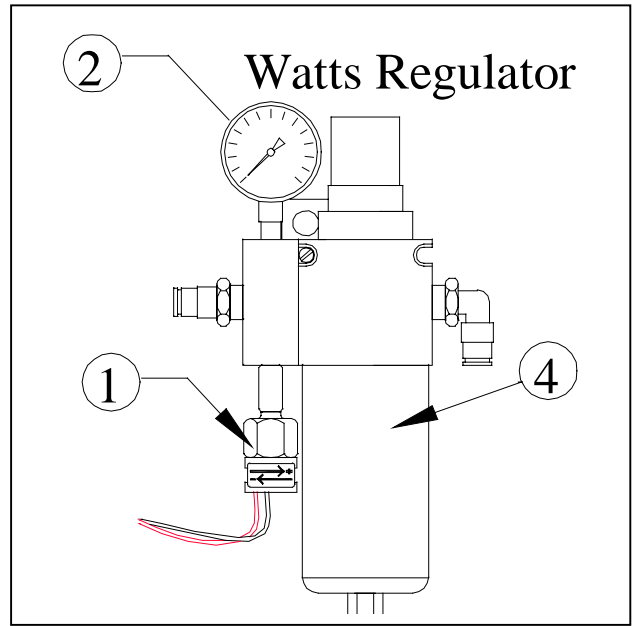
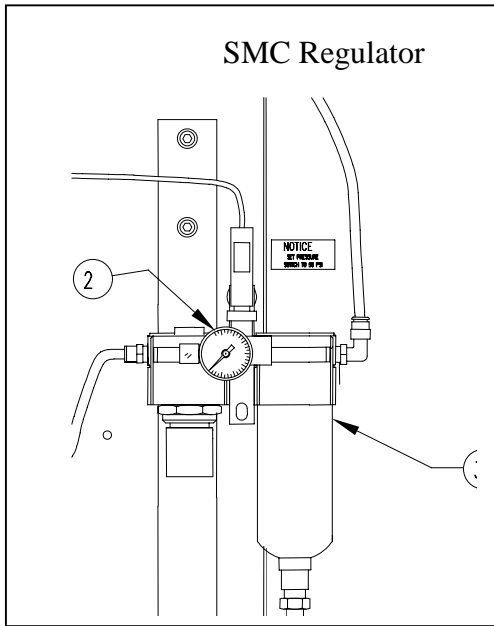
# AFD-200 Parts List

## Front View



Item	Part Number	Description	Qty	Function
1	291011	Hopper & Lid	1	Holds frozen Fries until they are portioned into Fry Baskets.
2	216258	Fry Basket	10	Fry Basket designed for use with the Fry Dispenser.
3	213277	Fry Diverter	1	Funnels uncooked Fries to the accumulator area.
4	213278	Dispenser Drum	1	Dispenses bulk uncooked Fries to the accumulator area.
5	216645	Lower Guide (Complete)	1	Provides a smooth surface for filled basket staging. Removable for cleaning.
	216024	Ultem Runner	2	Amber slide rails.
	290000	Ultem Screws	14	Secures ultem to guide, 7 screws per ultem.
6	216081	Upper Guide Complete)	1	Provides a smooth surface for empty basket staging. Removable for cleaning.
	216055	Ultem Runner	2	Amber slide rails.
	290000	Ultem Screws	12	Secures ultem to guide, 6 screws per ultem.
7	215971	Lift Saddle	1	Transports baskets from the upper guide to lower guide.
	215961	Saddle Skid	2	
	202047	Skid Screws	4	
8	213473	Pre-Stage Stop Gate	1	Holds Fry Baskets on the Upper Guide when the Basket Lift is not in the UP position.
9	213641	Accumulator Door (Left)	1	Holds weighed Fries from the Hopper until a Fry Basket is in position to receive them.
10	213642	Accumulator Door (Right)	1	Holds weighed Fries from the Hopper until a Fry Basket is in position to receive them.
11	213900	Lift Dovetail	1	Attachment for Lift Saddle.
	213914	Dovetail Screws	4	Secures dovetail to lift cylinder.
12	215948	Carriage Guide	1	Provides slip for Lift Dovetail on Arch Fry Dispenser face.
13	215951	Hopper Support Bar (Right)	1	Guides the Hopper on and off of the Arch Fry Dispenser.
14	216018	Hopper Support Bar (Left)	1	Guides the Hopper on and off of the Arch Fry Dispenser.
15	216596	Brake Caster – Front	2	Allows locking the dispenser into place. (Bolt on style)
	215965	“ “ “	2	“ “ “ (Threaded style)
16	213254	Fiber Optic Sensor #1	1	Detects a fry basket ready to receive fries.
17	213254	Fiber Optic Sensor #2	1	Detects basket leaving the saddle and when the lower guide is full.

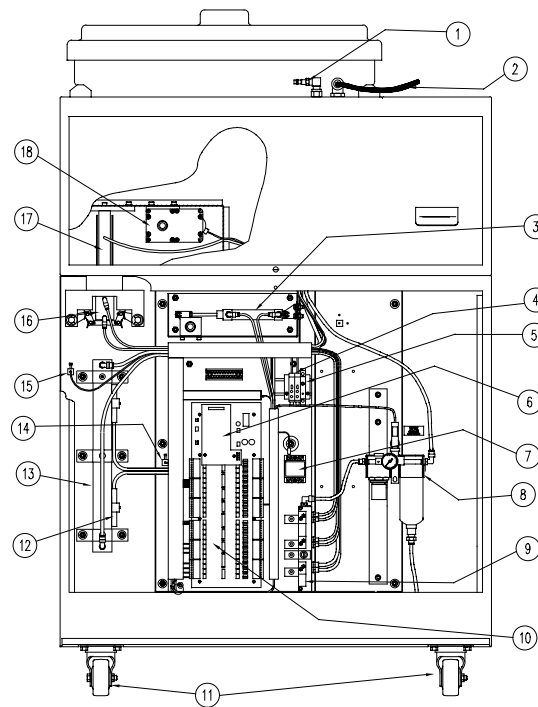
18	215606	Lighted Pushbutton (Green)	1	Start/ Reset Button.
19	216489	Bulb (not shown)	1	Replacement bulb for lighted Button.
20	215607	Three Position Switch	1	Selects the Fry Load Size
21	215625	Power Switch	1	Turns the Dispenser ON and OFF



**AIR FILTER/REGULATOR (Part Number 202250)**

Item	Part Number	Description	Qty	Function
1	202604	Pressure Switch (Watts only)	1	Monitors the air pressure, and detects a loss of pressure.
2	219017	Pressure Gauge (SMC or Watts)	1	Displays the current system pressure. Assists in adjusting the regulator.
3	290095	Mist Separator with Auto Drain (SMC Regulator)	1	Automatically drains water and debris from the Air Line that may cause damage to the Arch Fry Dispenser.
4	202245	Mist Separator with Auto Drain (Watts Regulator)	1	Automatically drains water and debris from the Air Line that may cause damage to the Arch Fry Dispenser.

**AFD-200  
REAR VIEW**



Item	Part Number	Description	Qty	Function
1	213609 216482 213610 213478	Quick Coupler Nipple Airline 100 Ft. 3/8" O.D. Airline Quick Disconnect Quick Disconnect Fitting	1	Connection point for the air line from the compressor. Airline from compressor to Fry Dispenser Disconnects airline from Fry Dispenser. Adapts airline to Quick Disconnect.
2	202172	Power Cord	1	Supplies the Arch Fry Dispenser with power from the wall
3	216089	Stop Gate Cylinder	1	Air-operated cylinder that activates the stop gate.
4	213365	Fiber Optic Amplifiers #1- #2	2	Generates a red light for sensors #1-#2, and controls the sensitivity of the sensors, and inputs Fry Basket present to control card.
5	216485	1.5 AMP Circuit Breaker	1	Protects the fry Drum Motor from electrical overload.
6	213367	Load Cell Board	1	Translates information from the Load Cell into data that the Arch Fry Dispenser I/O Board computer can understand.
7	213924	Solid State Relay	1	Provides high current drive to the drum motor.
8	202250	Filter/Regulator Assembly	1	Controls and monitors the pressure of the air supplied to the Arch Fry Dispenser.
9	203985	4-Stack Air Valve Manifold	1	Air valves that control cylinders in the Arch Fry Dispenser.
10	203984 202002	Dispenser I/O Board E-PROM, Loader 3.25R	1	I/O board that controls the Arch Fry Dispenser. Software chip for I/O board.
11	216595 215960	Caster Rear " "	2 2	Allow the dispenser to be moved. ( <i>Bolt on style</i> ) " " ( <i>Threaded style</i> )
12	213107 213357	Lift Cylinder Switch Lift Switch Bracket	2 2	Indicates the position of the Basket Lift mechanism. Secures lift switch to lift cylinder.
13	290688	Lift Cylinder	1	Air-operated cylinder that moves the Lift Saddle in both UP and DOWN directions.
14	213254	Fiber Optic Sensor #2	1	Optic Sensor Head that detects baskets leaving the lift.
15	213254	Fiber Optic Sensor #1	1	Optic Sensor Head that detects baskets in the lift.
16	216088	Accumulator Door Cylinder	1	Air-operated cylinder that opens and closes the Accumulator Doors.
17	203983	Load Cell (Rebuilt)	1	Electronic device that converts weight to an electrical signal.
18	290692	Drum Motor	1	Turns the Dispenser Drum that moves the bulk uncooked Fries into the accumulator area.
	216044	24VDC Power Supply	1	Provides 24vdc power to the Fry Dispenser.