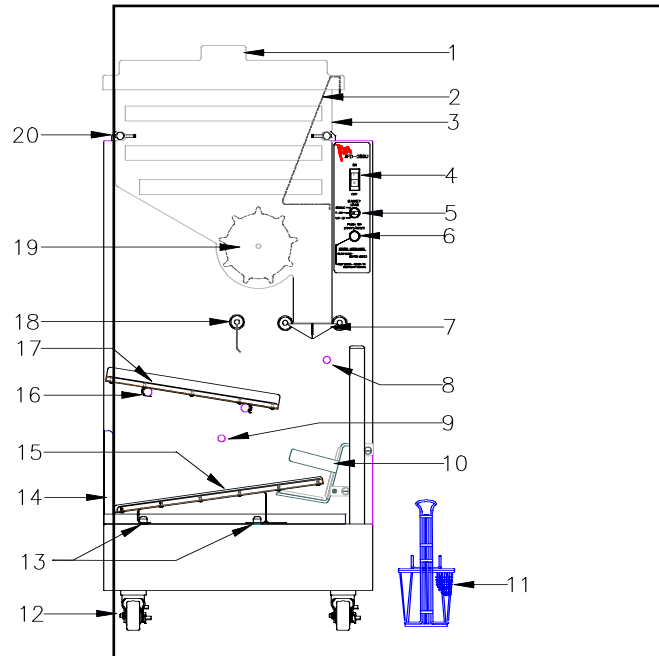


## Major Assemblies, AFD-280

### AFD-280, Front View

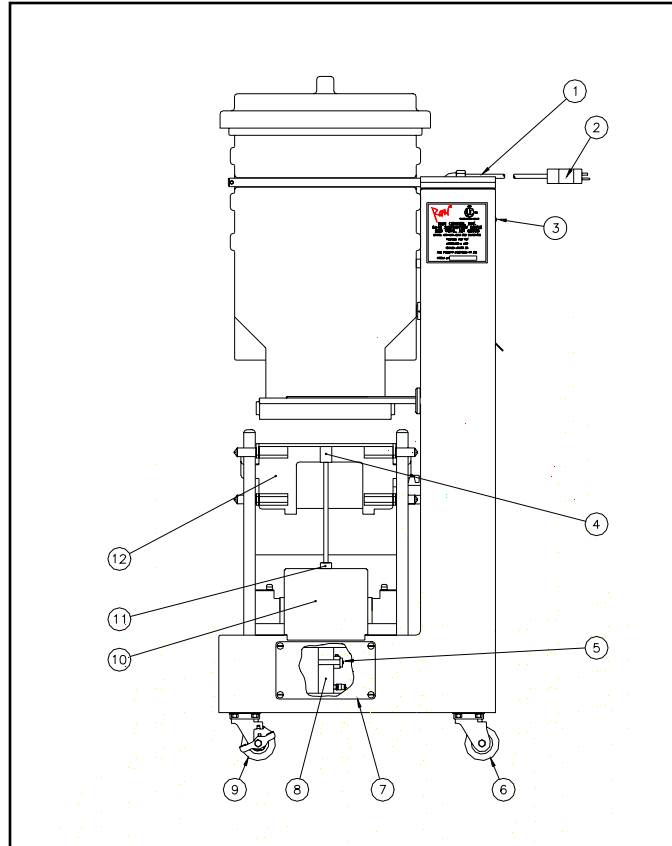


AFD-280 Front View

ITEM	P/N	DESCRIPTION	NO.	FUNCTION
1	202364	Hopper Lid	1	Cover for the Fry Hopper.
2	219129	Fry Diverter	1	Funnel fries to the Accumulator Doors area.
3	202368	Hopper	1	Holds frozen fries for dispensing into baskets.
4	213400	On / Off Switch with circuit breaker	1	On / Off Switch and A.C. circuit breaker.
5	215607	Selector Switch	1	Selects fry load sizes and Dispenser operation.
6	215606 290771 216489	Start / Reset Push-button Switch Lens Only Bulb Only	1	Starts single basket cycle and resets system error.
7	---	Accumulator Doors Assembly	--	<i>See assembly illustration.</i>
8	202038	Lift Sensor	1	Senses baskets in the Saddle when the Lift is raised.
9	202038	Guide Sensor	1	Senses baskets leaving the saddle and when the lower guide is full.
10	---	Saddle Assembly	--	<i>See assembly illustration</i>
11	216258	Fry Basket	10	Receives fries from Dispenser.
12	216596	Front Casters with Brakes	2	Allows moving the Dispenser for cleaning & locking position.
13	290687	Locator Pins	2	Holds Drip Pan and Lower Guide in Place
14	202780	Drip Pan	1	Collects shortening and other waste materials.
15	202779 220494 290000	Lower Guide Assembly Lower Guide Ultem Runners Runner Mounting Screws	-- 2 12	Entire Assembly Basket slide rails. Runner mounting screws. (6 screws per Ultem)
16	---	Upper Guide Support Bars, ( <i>See Assembly Illustrations</i> )	2	Secures the Upper Guide in the proper orientation.
17	220490 202476 202219 202044 202359 290000	Upper Guide Assembly(centered pin) -Fillister Screw (centered pin) Upper Guide Assembly (offset pin) -Fillister Screw (offset pin) Upper Guide Ultem Runners Runner Mounting Screws	-- 2 -- 2 2 10	<b>No Longer Available</b> Locates Upper Guide Position. ( <i>centered Guide</i> ) Entire Assembly. Locates Upper Guide Position. ( <i>offset Guide</i> ) Basket slide rails. Runner mounting screws. (5 screws per Ultem)
18	---	Stopgate Assembly	--	<i>See assembly illustration</i>
19	202366	Drum	1	Dispenses fries to the Accumulator Doors area.
20	220515	Hopper Support Bar, left	1	Holds the Hopper in proper orientation.

	220520	Hopper Support Bar, right	1	
--	--------	---------------------------	---	--

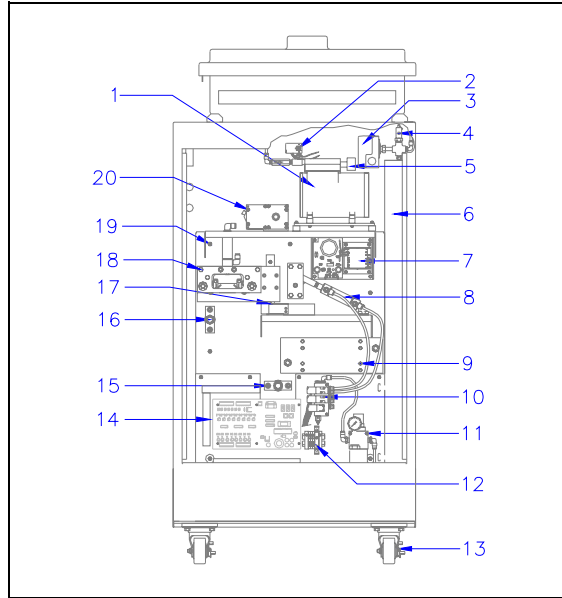
### AFD-280 Side View



AFD-280 Side View

ITEM	P/N	DESCRIPTION	NO.	DETAILS
1	216692 202586 213942	Power Cord Strain Relief Washer Nut	1	Waterproof power cord inlet.
2	202172	Molded Power Plug	1	Connects the Dispenser to the wall outlet.
3	213129	10-32 x 3/8" Machine Screw	1	Mounting Hardware for Rear Door
4	220507	Lift Cylinder Cap	1	Mounts to the end of the Lift Cylinder shaft.
5	202194 202516	Lift Cylinder Switch Lift Switch Sensor Band	2 2	Detects lift cylinder down position. Holds lift switch in place
6	216595	Rear Caster	2	Allows the dispenser to be moved for cleaning.
7	220491 202077	Side Access Plate Screws	1 4	Permits access to lower portion of lift cylinder. Secures access plate to dispenser chassis.
8	202055 202517 213369	Lift Cylinder Lift Cylinder Lower Nut Airline Fitting, 1/8" NPT M X 1/4"OD	1 1 1	Raises and lowers the lift saddle.
9	216596	Front Caster with Brake	2	Allows dispenser movement and locks position.
10	220496	Lift Cylinder Cover	1	Protective cover for lift cylinder.
11	220497	Lift Cylinder Cover Nut	1	Secures protective cover.
12	---	Lift Saddle Assembly	--	See assembly illustration

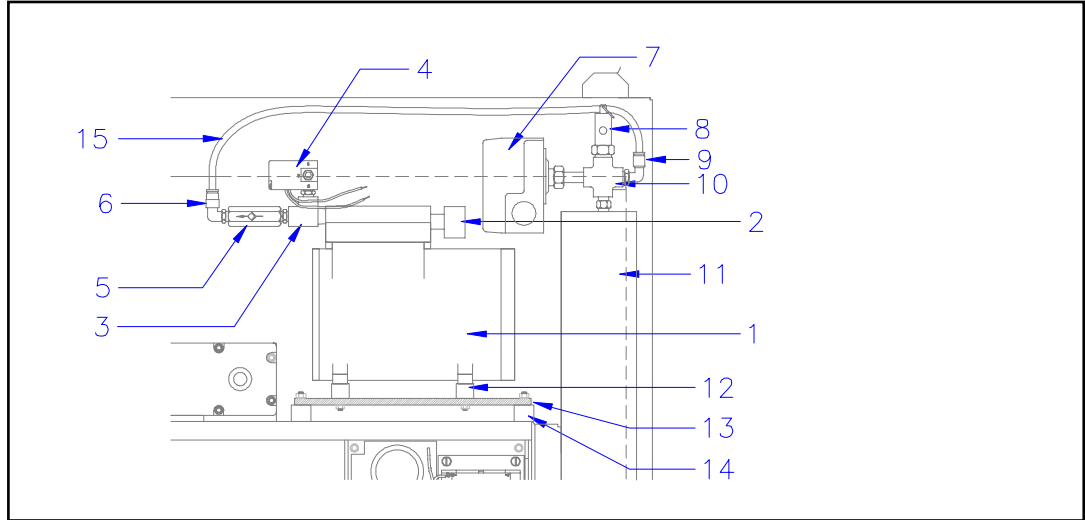
**AFD-280 Rear View**



AFD-280 Rear View

ITEM	P/N	DESCRIPTION	FUNCTION
1	202061 202190 202766 202765	Air Compressor, Ramped Valve, 110V, 60 Hz Air Compressor, Ramped Valve, 220V, 50 Hz Air Compressor, Ramped Valve, 220V, 60 Hz Air Compressor, Ramped Valve, 100V, 50/60 Hz	Provides compressed air for Dispenser operations.
2	---	Run "T" Assembly ( <b>No Longer Available</b> )	Head pressure vent system.
3	202196	Compressor Pressure Control Switch	Control compressor: On at 40 psi, Off at 60 psi.
4	202197	Pressure Relief Valve	Over pressure protection.
5	202199 219262	Compressor Air Inlet Filter Filter Media only	Filters air going into the compressor Filter media only.
6	202861 202062	Air Reservoir Assembly Mounting Clamps	Stores system compressed air. Secures Air Reservoir to Dispenser chassis.
7	216044 202179 213509 213432	Power Supply, International Power Stand Off Screw Washer	Provides 24.5 VDC for system operation.
8	----	Stopgate Assembly	<i>See assembly illustration</i>
9	----	Upper Guide Support / Alignment Assembly	Upper guide support fixture and alignment. <i>See assembly illustration</i>
10	202582	Pneumatic Manifold Assembly	<i>See assembly illustration</i>
11	202051	Pressure Regulator Assembly	Regulates System Air Pressure at 30 psi. <i>See assembly illustration</i>
12	202449 216485	Din Rail Terminal Assembly Circuit Breaker	Wiring terminal assembly. <i>See assembly illustration</i> 1.5 Amp Drum Motor circuit breaker.
13	216595	Rear Caster	Allows Dispenser to be moved for cleaning.
14	290626 290063	Plus Controller Board E-prom	Controls Dispenser electrical functions. Programs the controller board.
15	202038	Lower Guide Optical Sensor	Detects baskets at the Lower Guide.
16	202038	Basket Lift Optical Sensor	Detects baskets in the Lift Saddle when lift is raised.
17	290685	Load Cell replacement kit, including mounting hardware (1/4-20 x 5/8 cap screws and 1/4" lock washers)	Detects the weight of the Accumulator Assembly.
18	----	Accumulator Doors/ Load Cell Assembly	<i>See assembly illustration</i>
19	202057	Accumulator Door Air Cylinder Assembly	Pneumatic cylinder to operate the accumulator doors.
20	----	Drum Motor Assembly	<i>See assembly illustration</i>
Not Shown	202377	Tubing Replacement Kit	Kit to replace all the pneumatic tubing

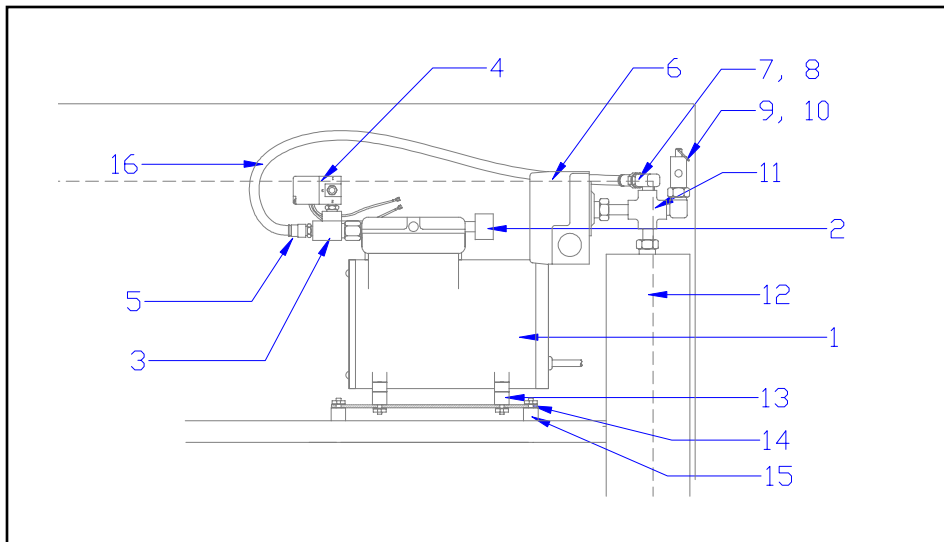
**AFD-280 Compressor Assembly, Style "A"**



AFD-280 Compressor Assembly Style "A"

ITEM	P/N	DESCRIPTION	NO.	DETAILS
1	---	Air Compressor	1	
	202061	Air Compressor, Ramped Valve, 110V, 60 Hz	--	Compressed air source for Dispenser operations.
	202190	Air Compressor, Ramped Valve, 220V, 50 Hz	--	<b>Note:</b> Pressure Control Switch must be reset for 40-60
	202766	Air Compressor, Ramped Valve, 220V, 60 Hz	--	psi. (2.8-4.1Bar) operation.
	202765	Air Compressor, Ramped Valve, 100V, 50/60 Hz	--	
	203281	Ramped Valve Upgrade Kit	1	Compressor Upgrade kit: <b>Note:</b> Must have Run "T" Elimination kit installed and <b>Pressure Control Switch</b> reset for 40-60 psi. (2.8-4.1Bar) operation.
	203296	Run "T" Elimination Kit	1	Tubing and fittings to replace Run "T" assembly. <b>Note:</b> Must have Ramped Valve Compressor and the Pressure Control Switch must be reset for 40-60 psi
2	202199	Air Inlet Filter Assembly	1	Compressor air inlet filter.
	219262	Filter media only.	1	Replaceable filter media.
3	---	Run "T" Assembly ( <b>No Longer Available</b> )	1	Head Pressure Venting System. <b>Replace with 203296</b>
4	---	Airflow Bypass Solenoid ( <b>No Longer Available</b> )	--	Part of Run "T" Assembly, Item 3
5	202243	Check Valve	1	Part of Run "T" Assembly, Item 3
6	213477	Airline Fitting, 90°, 1/4" Push Tube	1	Part of Run "T" Assembly, Item 3
7	202196	Pressure Control Switch	1	Compressor Control Switch. See <b>Note</b> in item 1.
8	202197	Pressure Relief Valve	1	Part of Reservoir Assembly
9	213477	Airline Fitting, 90°, 1/4" Push Tube	1	Part of Reservoir Assembly
10	291324	4-Way fitting	1	Part of Reservoir Assembly
	291322	Nipple fitting, hex, 1/4" NPT		
11	202861	Air Reservoir Assembly	1	Compressed air storage.
12	202065	Compressor Vibration Mounting	4	Vibration isolation.
13	220512	Compressor Mounting Plate	1	Mounting plate for compressor.
14	202091	Compressor Vibration Mounting	4	Vibration isolation.
15	202878	Airline, 1/4 X 24"	24"	Airline from compressor to reservoir.

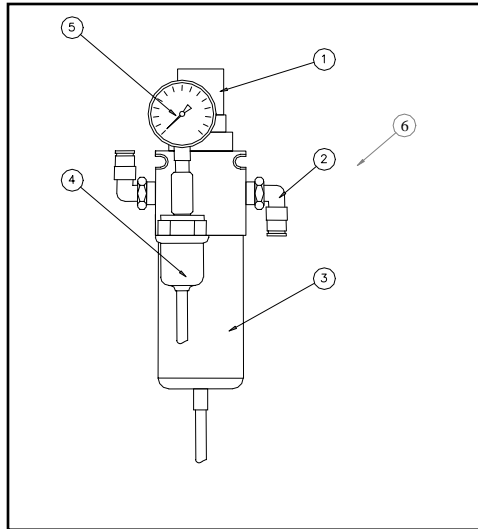
## AFD-280 Compressor Assembly, Style "B"



AFD-280 Compressor Assembly, Style "B"

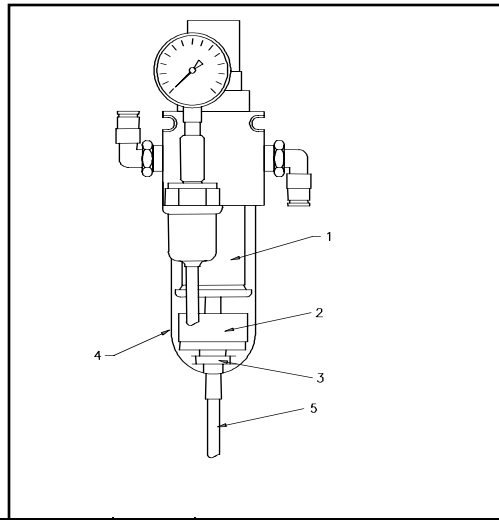
ITEM	P/N	DESCRIPTION	NO.	DETAILS
1		Air Compressor	1	
	202061	Air Compressor, Ramped Valve, 110V, 60 Hz	--	Compressed air source for Dispenser operations.
	202190	Air Compressor, Ramped Valve, 220V, 50 Hz	--	<b>Note:</b> Pressure Control Switch must be reset for 40-60 psi. (2.8-4.1Bar) operation.
	202766	Air Compressor, Ramped Valve, 220V, 60 Hz	--	
	202765	Air Compressor, Ramped Valve, 100V, 50/60 Hz	--	
	203281	Ramped Valve Upgrade Kit	1	Compressor Upgrade kit: <b>Note:</b> Must have Run "T" Elimination kit installed and <b>Pressure Control Switch</b> reset for 40-60 psi. (2.8-4.1Bar) operation.
	203296	Run "T" Elimination Kit	1	Tubing and fittings to replace Run "T" assembly. <b>Note:</b> Must have Ramped Valve Compressor and the Pressure Control Switch must be reset for 40-60 psi
2	202199	Air Inlet Filter Assembly	1	Compressor air inlet filter.
	219262	Filter media only.	1	Replaceable filter media.
3	---	Run "T" Assembly ( <b>No Longer Available</b> )	1	Head Pressure Venting System. <b>Replace with 203296</b>
4	---	Airflow Bypass Solenoid ( <b>No Longer Available</b> )	--	Part of Run "T" Assembly, Item 3
5	213478	Airline Fitting, Straight, 3/8" Push Tube (1/4" NPT male)	--	Part of Run "T" Assembly, Item 3
6	202196	Pressure Control Switch	--	Compressor Control Switch (On at 40 psi, 2.8 Bar, Off at 60psi, 4.1 Bar)
7	216493	1/4" Push Tube Fitting 3/8" (1/4" NPT Female)	--	Part of Reservoir Assembly
8	291321	Elbow, 90°	--	Part of Reservoir Assembly
	202243	Check valve	--	Part of Reservoir Assembly
9	202197	Pressure Relief Valve		Part of Reservoir Assembly
10	291321	Elbow, 90°	--	Part of Reservoir Assembly
11	291324	4-Way Fitting	--	Part of Reservoir Assembly
12	202861	Air Reservoir Assembly	1	Compressed air storage.
13	202065	Compressor Vibration Mounting	4	Vibration isolation.
14	220512	Compressor Mounting Plate	1	Mounting plate for compressor.
15	202091	Compressor Vibration Mounting	4	Vibration isolation.
16	202482	Airline, 3/8 X 24"	24"	Airline from compressor to reservoir.

## AFD-280 Pressure Regulator Assembly



### **Pressure Regulator Assembly p/n 202051**

ITEM	P/N	DESCRIPTION	NO.	DETAILS
1	---	Pressure control knob.	--	Pull up to unlock, turn to increase or decrease system pressure. Set for 30 psi. <i>Part of Pressure Regulator Assembly</i>
2	213477	Airline fitting, 90° 1/4" Push Tube	2	Airline Connection.
3	---	Filter Bowl Cover Shield.	--	Safety cover for the Filter Bowl. <i>Part of Pressure Regulator Assembly.</i>
4	202604	Air Present Switch	1	Senses system operating pressure, adjusted for 20 psi On.
5	202606	Air Pressure Gauge	1	Indicates regulator pressure setting.
6	213372	Regulator Mounting Screws	2	Secures the regulator to the back panel.
----	202051	Pressure Regulator Assembly	1	Complete Filter Regulator assembly.

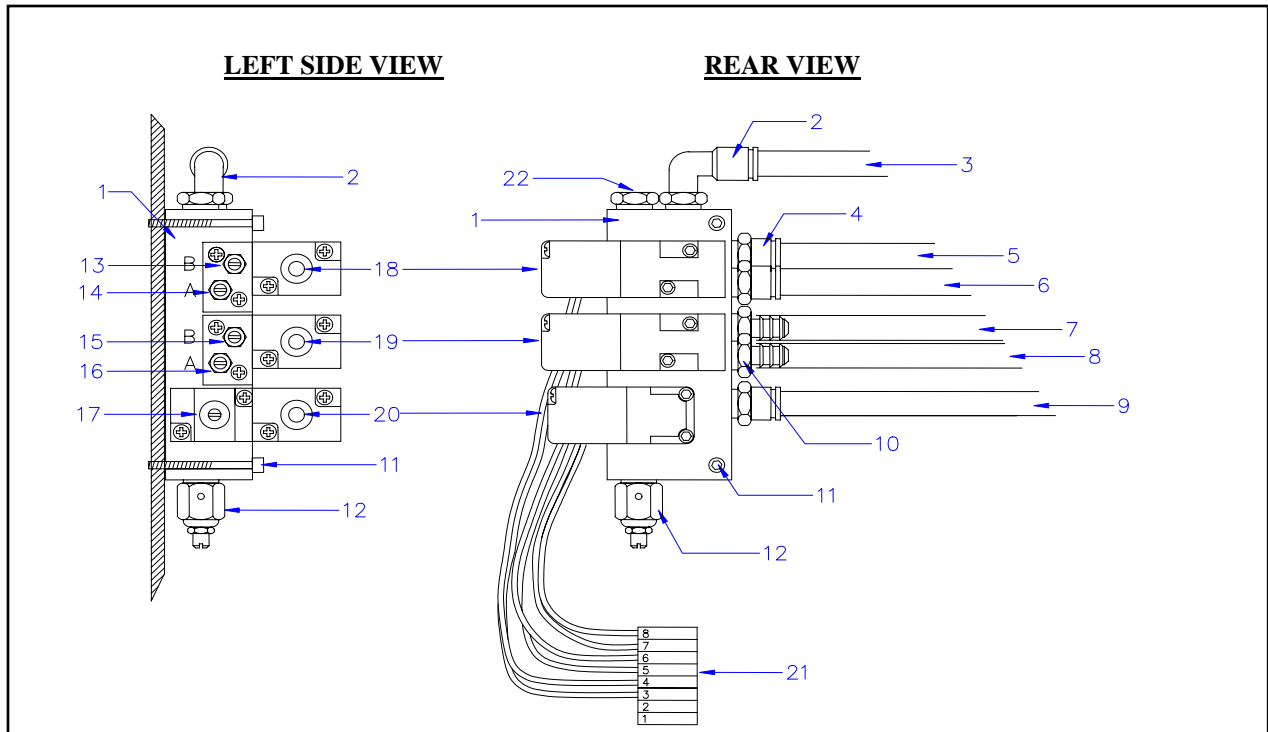


ITEM	P/N	DESCRIPTION	NO.	DETAILS
1	202614	Filter Media Replacement Kit	1	Removes contaminants from system air pressure.
2	---	Float Valve	--	<i>Part of Pressure Water Trap Bowl Assembly.</i>
3	---	Drain Filter	--	<i>Part of Pressure Water Trap Bowl Assembly.</i>

4	202245	Water Trap Bowl and Drain Fitting	1	Collects and drains moisture from system air pressure.
5	202480	Drain Tube, 5/16" X 4 1/2"	4.5"	Drains water from pressure regulator.
----	202051	Pressure Regulator Assembly	1	Complete Filter Regulator assembly.



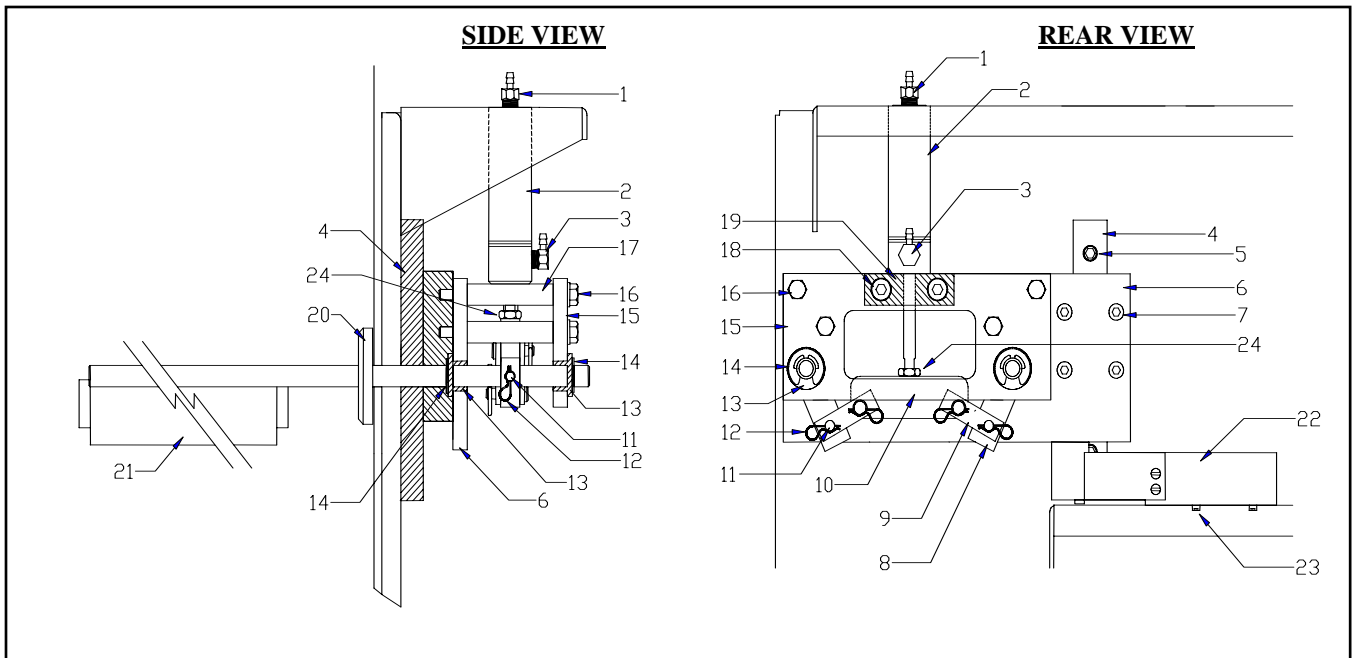
## AFD-280 Manifold Assembly



Manifold Assembly p/n 202054 (replace with p/n 202582)

ITEM	P/N	DESCRIPTION	NO.	DETAILS
1		Pneumatic Manifold Assembly Replace with part number 202582 and 2 screws part number 213372.	1	Distributes airflow to pneumatic cylinders.
2	213318	Airline Fitting, 90°, 1/4" Push Tube, 1/8" NPT	1	Airline connection.
3	213320	Manifold Compressed Airline Input	1	Airline from the Pressure Regulator.
4	213369	Airline Fitting, Straight, 1/4" Push Tube, 1/8" NPT	3	Airline connection.
5	202479	Manifold Output, <b>OPEN Stopgate</b>	1	BLUE Airline to top Stopgate Cylinder fitting.
6	202478	Manifold Output, <b>CLOSE Stopgate</b>	1	RED Airline to bottom Stopgate Cylinder fitting.
7	202481	Manifold Output, <b>OPEN Accumulator Doors</b>	1	CLEAR airline to top Accumulator Cylinder fitting.
8	202481	Manifold Output, <b>CLOSE Accumulator Doors</b>	1	CLEAR airline to bottom Accumulator Cylinder fitting.
9	213320	Manifold Output, <b>RAISE Lift Cylinder</b>	1	OPAQUE airline to fitting at bottom of Lift Cylinder.
10	203282	Airline Fitting, 1/4"-Barbed	2	Airline connection.
11	213372	Allen Head Cap Screws, 10-32 x 2"	2	Secures Manifold Assembly to Dispenser chassis.
12	203294	Adjustable Vent, <b>LOWER Lift Cylinder</b>	1	Controls the DOWN SPEED of the Lift Cylinder.
13	202090	Airflow Adjustment, <b>Stopgate OPEN "B"</b>	1	Controls the opening speed of the Stopgate Cylinder.
14	202090	Airflow Adjustment, <b>Stopgate CLOSE "A"</b>	1	Controls closing speed of the Stopgate Cylinder.
15	202090	Airflow Adjustment, <b>Accumulator OPEN "B"</b>	1	Controls the opening speed of the Accumulator Doors.
16	202090	Airflow Adjustment, <b>Accumulator CLOSE "A"</b>	1	Controls the closing speed of the Accumulator Doors.
17	202021	Airflow Adjustment, <b>Lift Cylinder UP speed</b>	1	Controls the Lift Speed of the Lift Cylinder.
18	219010	Manifold Solenoid & manual activator. SV3	1	Activates the Stopgate airflow for OPEN & CLOSE.
19	219010	Manifold Solenoid & manual activator. SV2	1	Activates the Accumulator Doors airflow for OPEN & CLOSE.
20	219009	Manifold Solenoid & manual activator. SV1	1	Activates airflow to the Lift Cylinder to raise UP.
21	215468	Electrical Connector, 8 position.	1	Connects Solenoid Wiring to the Controller Board Outputs.
22	202242	Manifold Vent	1	Exhausts manifold intermittent air pressures.

## AFD-280 Accumulator Doors / Load Cell Assembly

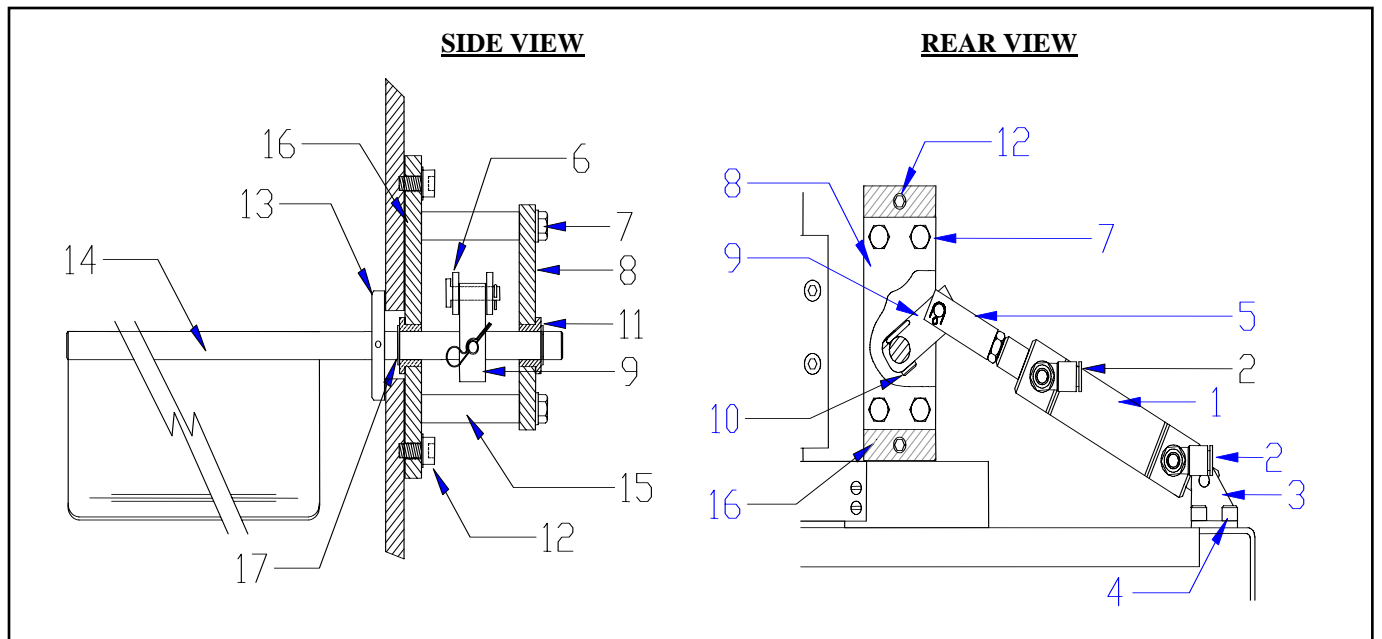


### **Accumulator Doors / Load Cell Assembly**

ITEM	P/N	DESCRIPTION	NO.	DETAILS
1	203282	Straight Fitting, 1/8 NPT Male-1/4 In. Barb	1	Airline fitting.
2	202057	Accumulator Doors Air Cylinder	1	Pneumatic actuator, opens and closes doors.
3	203283	90° Barbed Fitting Assembly:	1	Airline fitting assembly.
	203290	- 90° Elbow, 1/8 NPT Male to 10-32 - Barbed Fitting, 10-32 Male-1/8 In. Barb	1	
4	202068	Slide Rail	1	Allows Accumulator Assembly Motion / Sensing.
5	202073	Screws, Socket Head Cap 1/4-20 X 3/4"	3	Attaches Slide Rail to Dispenser Chassis.
6	220457	Carriage Plate	1	Attaches Accumulator Assembly to Slide Rail.
7	202173	Screws, M6 x 16mm	4	Secures Carriage Plate to Slide Rail
8	220464	Door Linkage	2	Accumulator Door Linkage.
9	220463	Connector Link	2	Interconnects Cylinder and Door Linkages.
10	220462	Cylinder Link	1	Linkage attached to end of Cylinder Shaft.
11	202082	Clevis Pin, 1/4" X 1"	6	Secures Linkages together.
12	202081	Hairpin Clip	6	Secures Clevis Pins.
13	213422	Flange Bearing	4	Bearing for Accumulator Door Shafts.
14	213356	Retaining Ring, E-Clip, 1/2"	4	Secures Accumulator Door Shafts.
15	220458	Bearing Plate	1	Part of Accumulator Door Chassis.
16	202048	Screws, Allen Head Cap 1/4-20 X 3 1/2"	4	Secures Accumulator Chassis Assembly.
	213142	Lock Washer, 1/4"	4	
17	220461	Tie Rod	4	Spacer for Accumulator Chassis.
18	202045	Screw, Flat Head, 1/4-20 X 1"	4	Secures Cylinder Plate to Accumulator Chassis.
19	220459	Cylinder Plate	1	Air Cylinder Mounting Plate.
20	220499	Shaft Collar	2	Protects inner Dispenser cabinet from contamination.
	202214	Shaft Collar Set Screw, 8-32 X 1/2"	1	Secures Shaft Collar to Shaft
21	220480	Accumulator Door, Left ( <i>not shown</i> )	1	Accumulator door and shaft weldment, left hand.
	220475	Accumulator Door, Right	1	Accumulator door and shaft weldment, right hand.
22	290685	Load Cell (includes mounting hardware)	1	Detects weight of French Fries.
23	213143	Screws, Socket Head Cap, 1/4-20 X 1/2"	2	Secures Load Cell to Dispenser Chassis.
	213142	Lock Washers, 1/4"	2	

24	202901	Accumulator Cylinder Jam Nut, 5/8" - 18	1	Locks Cylinder Shaft adjustment.
----	--------	---	---	----------------------------------

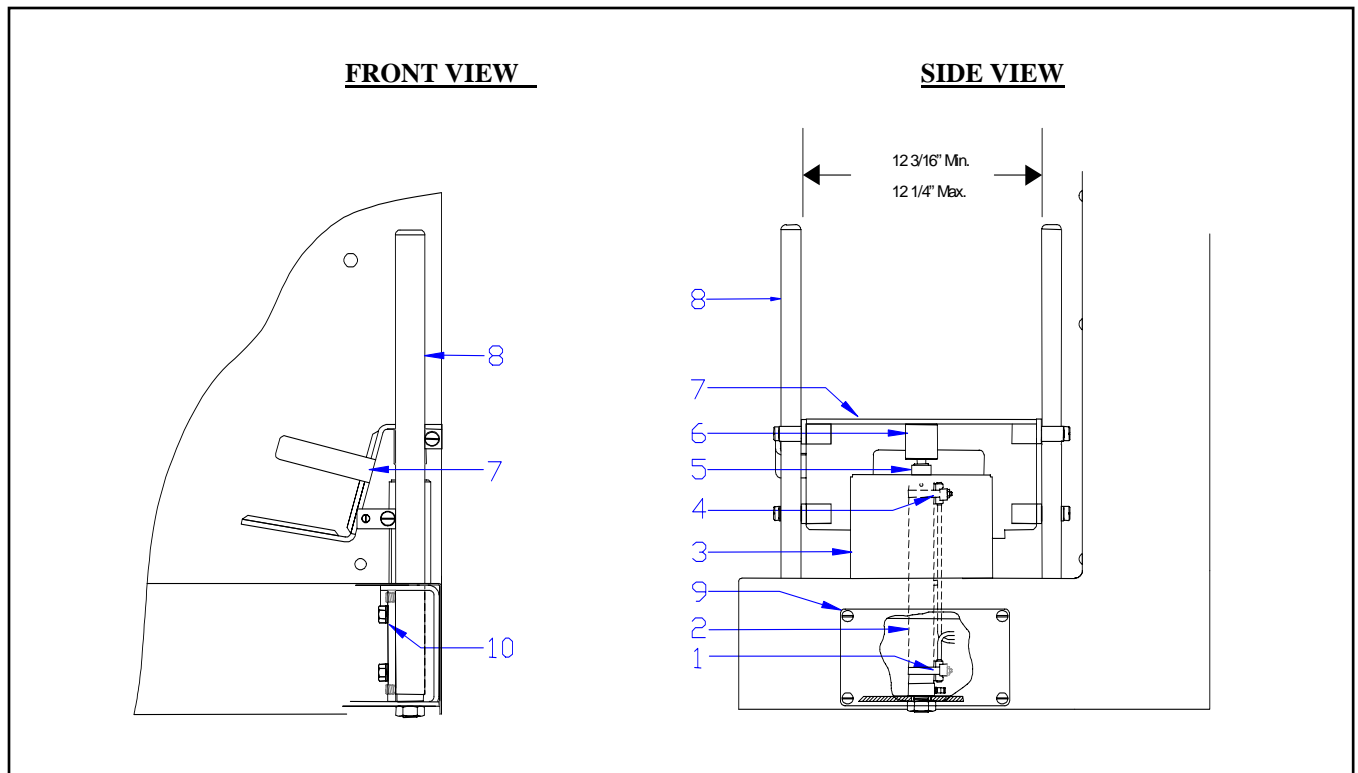
## AFD-280 Stopgate Assembly



### Stopgate Assembly

ITEM	P/N	DESCRIPTION	NO.	DETAILS
1	202056	Air Cylinder	1	Pneumatic actuator for the Stopgate.
2	213318	Airline Fitting, 1/4" Push type elbow	2	Airline connection.
3	n/a	Mounting Bracket, part of item #1	--	Secures the Pneumatic Cylinder to the Dispenser chassis.
4	213143	Socket Head Cap Screw, 1/4-20 X 1/2"	4	Secures mounting bracket to the Dispense chassis.
5	202970 203092	Cylinder Linkage and Clevis Pin Cotter Pin	1 1	Linkage attached to Air Cylinder Shaft. Secures Clevis Pin.
6	n/a	Clevis Pin, part of item #5	--	Secures Shaft Linkage to Door Linkage.
7	202176 213142	Bolt, 1/4-20 X 3" Lock Washer, 1/4"	4 4	Secures Outer and Inner Bearing Plates together.
8	220466	Outer Bearing Plate	1	Mounting for Stopgate assembly.
9	220498	Stopgate Shaft Linkage	1	Linkage attached to Stopgate Door Shaft.
10	202082 202081	Clevis Pin, 1/4" X 1" Hairpin Clip	1 1	Secures Linkage to Stopgate Door Shaft. Secures the Clevis Pin.
11	213422	Flange Bearings	2	Bearings for Stopgate Door Shaft.
12	202073 213142	Socket Head Cap Screw, 1/4-20 X 3/4" Lock Washer, 1/4"	2 2	Secures Stopgate Assembly to the Dispenser chassis.
13	220499 202214	Shaft Collar Shaft Collar Set Screw, 8-32 X 1/2"	1 1	Protects Dispenser inner cabinet from contamination. Secures the Shaft Collar to the Stopgate Shaft.
14	220505	Stopgate Weldment	1	Welded Stopgate Door and Shaft assembly.
15	220461	Spacer Tie Rod	4	Provides proper spacing between the Bearing Plates.
16	202175	Inner Bearing Plate	1	Mounting for Stopgate assembly.
17	213356	Retaining ring, E-Clip, 1/2"	2	Secures Stopgate Shaft to Bearing Plates.

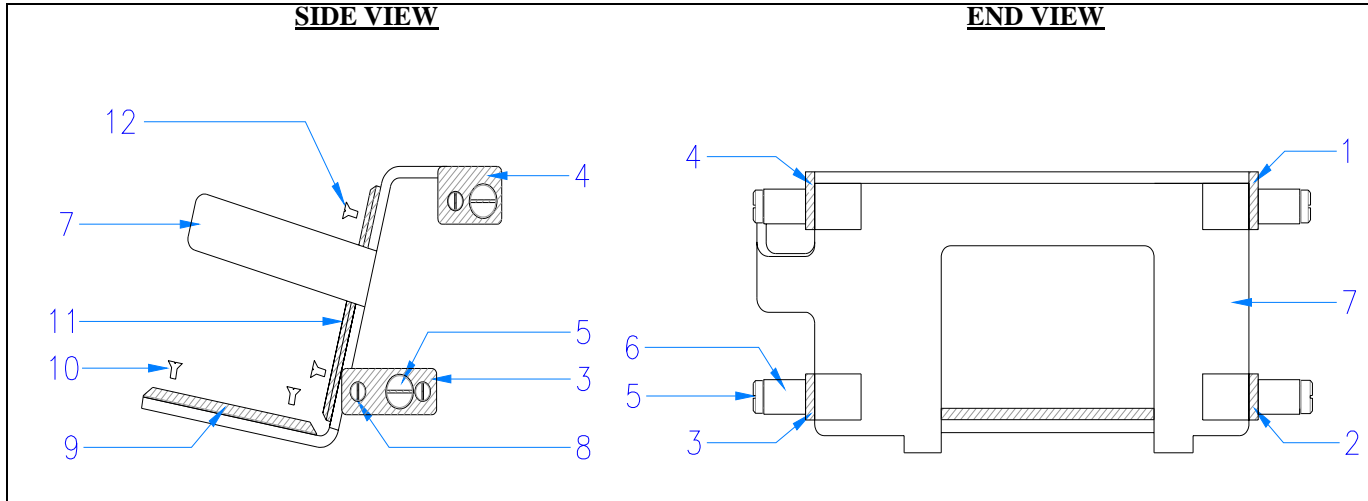
## AFD-280 Lift Cylinder Assembly



### Lift Cylinder Assembly

ITEM	P/N	DESCRIPTION	NO.	DETAILS
1	202194 202516	Lower Lift Cylinder Switch Lift Cylinder Switch Mounting Strap	1 1	Detects when the lift is in the down position. Secures the switch to the cylinder.
2	202055 202517 213369	Lift Cylinder Lift Cylinder Mounting Nut, 3/4 -16 Airline Fitting, 1/8" NPT M X 1/4"OD	1 1 1	Pneumatic cylinder which actuates the lift. Secures the Lift Cylinder to the Dispenser chassis. Airline connection.
3	220496	Lift Cylinder Cover, <b>AFD-280</b>	1	Protective cover for the Lift Cylinder.
4	202194 202516	Upper Lift Cylinder Switch Lift Cylinder Switch Mounting Strap	1 1	Detects when the lift is in the up position. Secures the switch to the cylinder.
5	220497	Lift Cylinder Cover Nut	1	Secures the Lift Cylinder Cover to the Dispenser.
6	220507	Lift Cylinder Cap, AFD-280 Screw On	1	Attaches to Lift Cylinder Shaft, contacts Lift Saddle.
7	202782	Lift Saddle Assembly	1	Transports the Baskets to the Lower Guide.
8	220456	Saddle Post	2	Guides the Lift Saddle
9	220491 202046	Lift Cylinder Access Plate Screws, 10-32 X 3/4"	1 4	Provides access to the lower Lift Cylinder Components. Secures the access plate to the Dispenser body.
10	202066 213264	Bolts, 1/2 -13 X 1 1/2" , <b>AFD-280</b> Lock Washer, 1/2"	4 4	Secures the Saddle Posts to the Dispenser chassis.

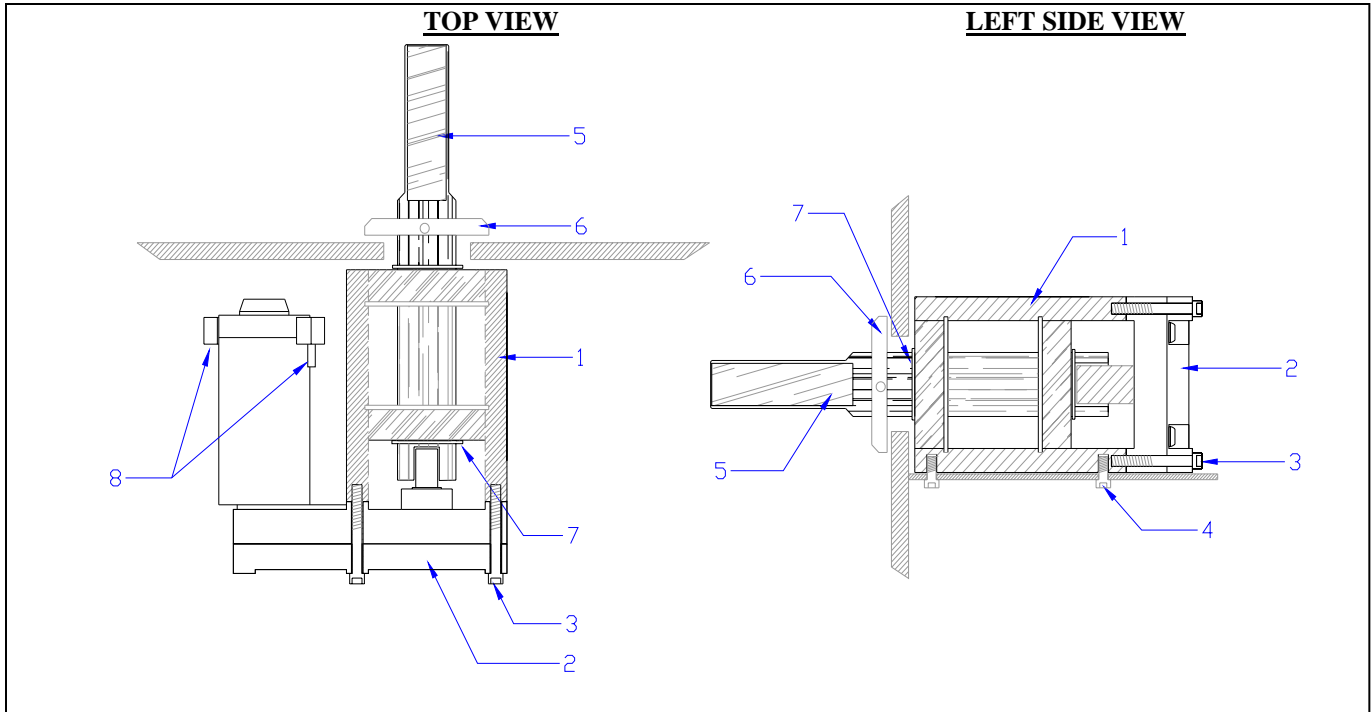
**AFD-280 Saddle Assembly**



**AFD-280 Assembly Number 202782**

ITEM	P/N	DESCRIPTION	NO.	DETAILS
1	220468	Right Upper Wear Strip	1	Wear surface against the Guide Post.
2	220469	Right Lower Wear Strip	1	Wear surface against the Guide Post.
3	220469	Left Lower Wear Strip	1	Wear surface against the Guide Post.
4	220467	Left Upper Wear Strip	1	Wear surface against the Guide Post.
5	202064	Shoulder Bolt	4	Secures Guide Rollers to Saddle Assembly. Stainless Steel.
6	217810	Guide Roller	4	Roller for Saddle Assembly against the Guide Posts.
7	217805	Lift Saddle Weldment	1	Metal body of the Lift Saddle Assembly.
8	202046	Flat Head Screw, 10-32 X ¾"	6	Secures Wear Strips to Lift Saddle. Stainless Steel.
9	220472 or 202762	Saddle Slide, 5" length, 4 3/8" hole spacing Saddle Slide, 4 ¾" length, 3 ½" hole spacing	2 2	Wearable sliding surface for Baskets to slide on. The correct part number is determined by the length of the strip and the hole spacing..
10	202047	Flat Head Screw, 10-32 X ½"	4	Secures Saddle Slides to the Lift Saddle.
11	220473	Splash Shield	1	Contains splashed materials within the Dispenser .
12	202047	Flat Head Screw, 10-32 X ½"	5	Secures Splash Shield to Lift Saddle.

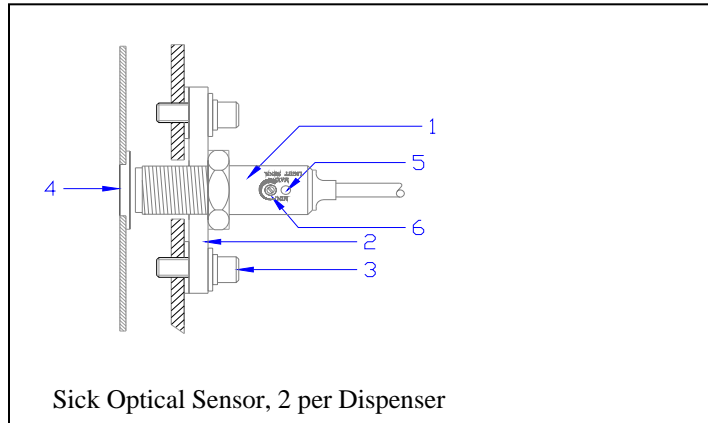
## AFD-280 Drum Motor Assembly



### **Drum Motor Assembly**

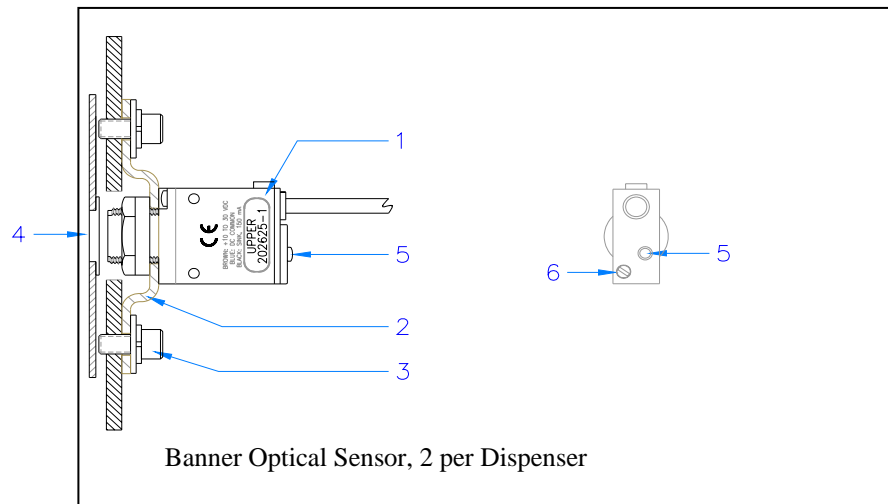
ITEM	P/N	DESCRIPTION	NO.	DETAILS
1	215228	Drum Motor Bearing Block	1	Bearing, Bearing Housing Assembly
2	292546	Drum Motor / Gear Box Assembly	1	24 VDC Gearmotor
3	213136	Socket Head Cap Screws, 10-32 x 1-1/4"	4	Secures Drum Motor to Bearing Block
4	213143	Socket Head Cap Screws, 1/4-20 x 1/2"	4	Secures Bearing Block to Dispenser Chassis.
	213142	Lock Washer 1/4"	4	
5	220511	Drum Motor Shaft	1	Turns the Drum in the Hopper.
6	220508	Drum Motor Shaft Collar	1	Prevents contamination of Dispenser cabinet.
	202072	Shaft Collar Set Screw	1	
7	213911	Retaining ring, E-clip	2	Secures Drum Shaft.
8	-----	Drum Motor Electrical Connections	2	DC Gearmotor power input connections.

## AFD-280 Optical Sensors



### Optical Sensor (Sick Electro Optics) (No longer available. Use Banner sensor)

ITEM	P/N	DESCRIPTION	NO.	DETAILS
1	202038	Optical Sensor, SICK	2	Sensor for Lift and Guide Basket detection locations.
2	220492	Sensor Mounting Bracket	2	Mounts / Locates the Optical Sensor.
3	213143	Bolt ¼ -20 X ½"	4	Secures Mounting Bracket to Dispenser Back Panel.
	213142	Lock Washer, ¼"	4	
	213141	Flat Washer ¼"	4	
4	202619	Sensor Window Kit	2	Sensor protective window.
5	---	Sensor Output LED Indicator	--	Turns ON with object detection.
6	---	Sensitivity / Gain Adjustment	--	Gain Adjustment.

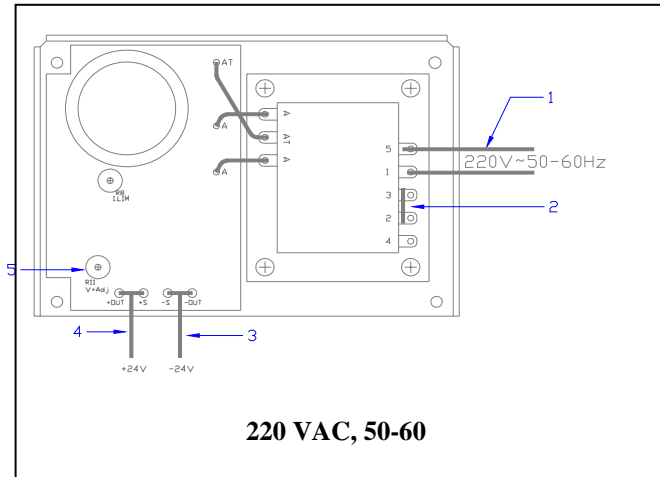
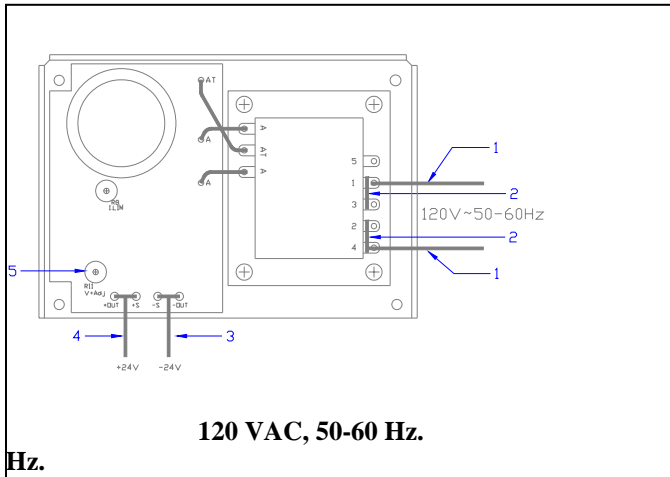


### Optical Sensor (Banner)

ITEM	P/N	DESCRIPTION	NO.	DETAILS
1	202038	Optical Sensor, Banner	2	Sensor for Lift and Guide Basket detection locations.
2	220492	Sensor Mounting Bracket	2	Mounts / Locates the Optical Sensor.
3	213143	Bolt ¼ -20 X ½"	4	Secures Mounting Bracket to Dispenser Back Panel.
	213142	Lock Washer, ¼"	4	
	213141	Flat Washer ¼"	4	
4	202619	Sensor Window Kit	2	Sensor protective window.
5	---	Sensor Output LED Indicator	--	Turns ON with object detection.
6	---	Sensitivity / Gain Adjustment	--	Gain Adjustment.

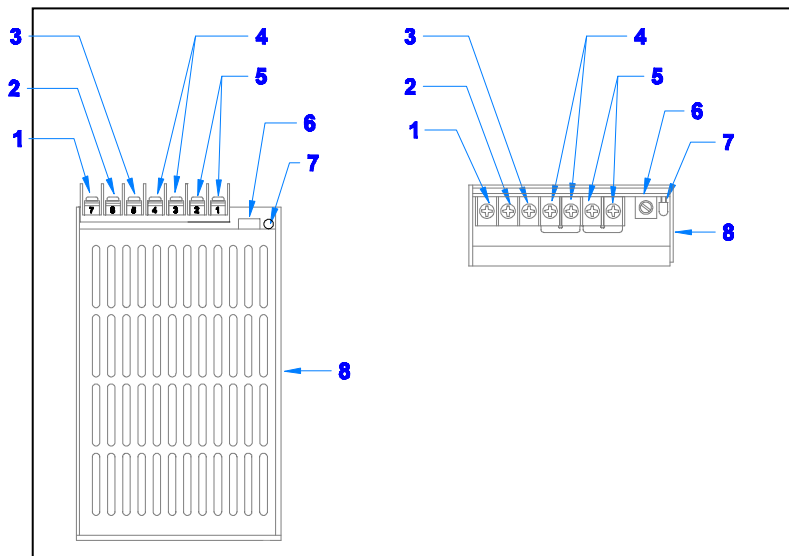


### AFD-280 24.5 Volt Power Supplies



### Linear Power Supply p/n 216044

ITEM	P/N	DESCRIPTION	NO.	DETAILS
1	--	AC Line Input	--	AC Line Voltage
2	--	Jumper Wire	--	Transformer jumper.
3	--	VDC Negative Output	--	24 VDC Negative output connection.
4	--	VDC Positive Output	--	24 VDC Positive output connection.
5	--	Vout Adjustment Potentiometer	--	Adjusts Power Supply DC Output to 24.5 VDC
---	216044	Power Supply, International Power, 3.6 A	1	24.5 VDC Power Supply
----	215473	2 Position Connector Plug	1	Connects Power to Controller Board

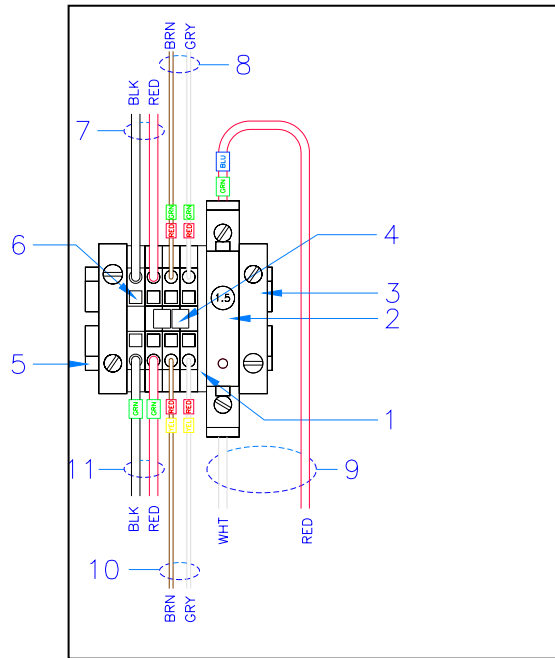


### Switching Power Supply p/n 202493 (No longer available, call for information)

ITEM	P/N	DESCRIPTION	NO.	DETAILS
1	---	A.C. Power Supply, Line Input	--	AC Line Connection Point.
2	---	A.C. Power Supply, Line Input	--	AC Line Connection Point.
3	---	Power Supply Ground Connection	--	Power Supply AC Ground Connection.
4	---	D.C. V- Output	--	Negative DC output connection point.
5	---	D.C. V+ Output	--	Positive DC output connection point.

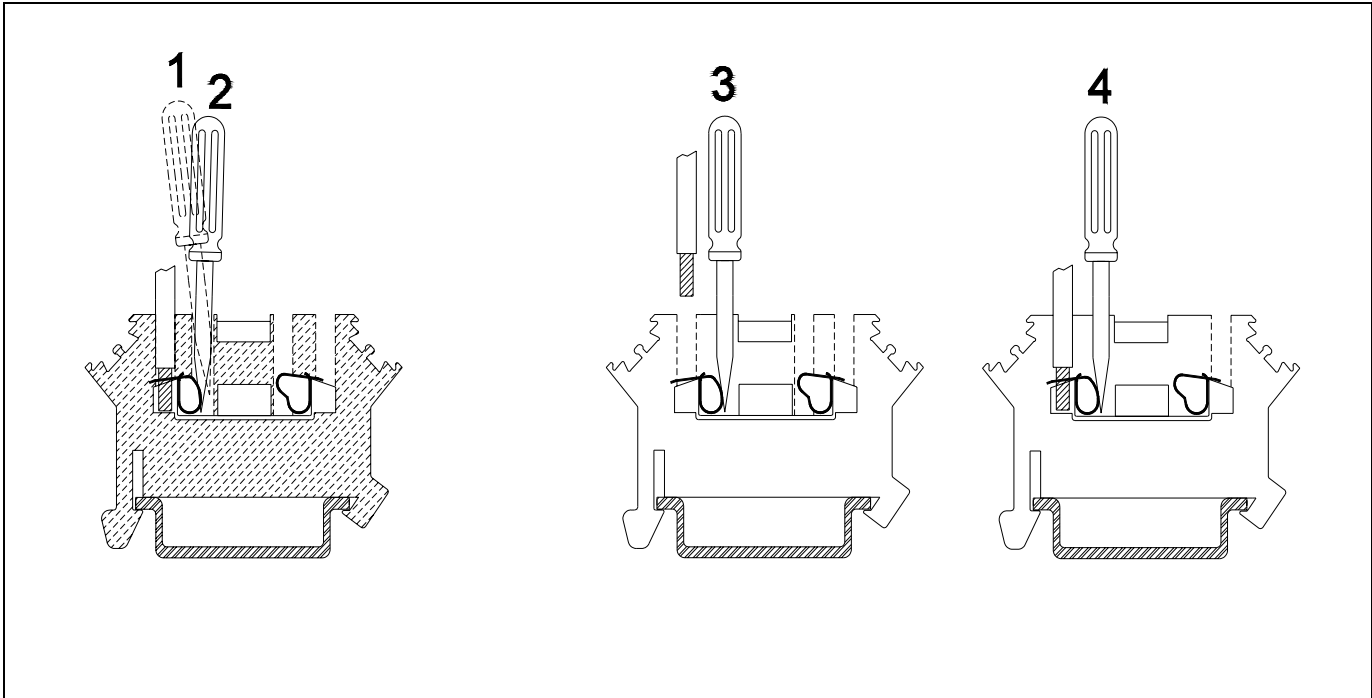
6	---	Vout adjustment.	--	24.5 VDC voltage output adjustment potentiometer.
7	---	Output Indicator LED	--	LED is ON when VDC is present at output terminals.
8	---	Power Supply, ETA, 3.2A	1	Power Supply, 24.5 VDC output, 95-240 VAC input.
----	215473	2 Position Connector Plug	1	Connects Power to Controller Board

### **AFD-280 Din Rail Terminal , Circuit Breaker Assembly**



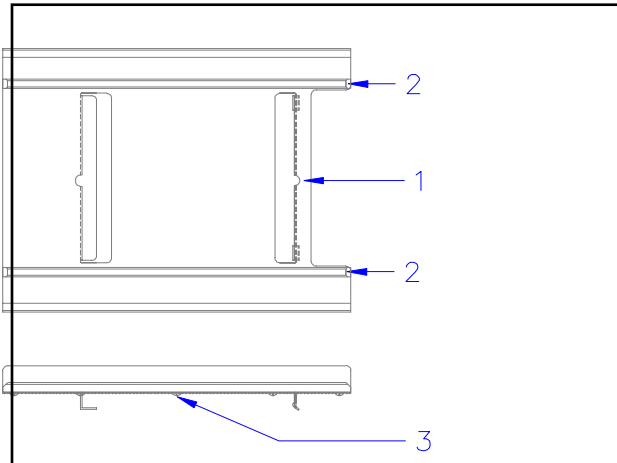
### **DIN Rail Terminal Assembly**

ITEM	P/N	DESCRIPTION	NO.	DETAILS
1	202036	Terminal End Plate	1	Electrical isolation.
2	216485	Circuit Breaker, 1.5 A, Thermal	1	Drum Motor protection.
3	213605	Din Rail End Anchor	2	Secures Din Rail components together.
4	202035	Jumper Clip, 15A	2	Configures terminal wiring inter-connections.
5	213373	Din Rail	1	Mount for Din Rail components.
	213182	Truss Head Screw, 8-32 X 3/8"	2	Secures Din Rail Mount to Dispenser Chassis.
6	202033	Grounding Terminal Block, Green	1	Grounded wiring terminals.
	202034	Isolated Terminal Block, Grey	3	Isolated wiring terminals.
7	---	Wiring from 24.5 VDC Power Supply	--	<i>Dispenser wiring harness.</i>
8	---	Wiring to Lift Optical Sensor	--	<i>Dispenser wiring harness.</i>
9	---	Drum Motor Wiring	--	<i>Dispenser wiring harness.</i>
10	---	Lower Guide Optical Sensor Wiring	--	<i>Dispenser wiring harness.</i>
11	---	24.5 VDC to Controller Board	--	<i>Dispenser wiring harness.</i>



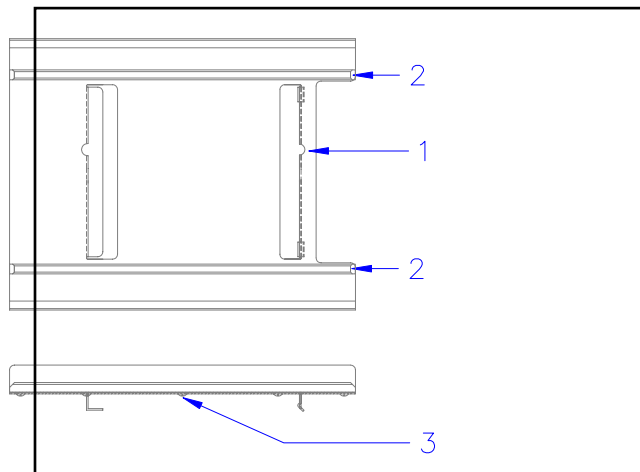
### **AFD-280 Upper Guide Assembly**

**Note:** The first 175 units manufactured in 1995 have centered pin guides. Newer units have the offset pin guides.



### **Upper Guide Assembly, Centered Pin (Item 1) p/n 220490 (No longer available. Shown for reference only)**

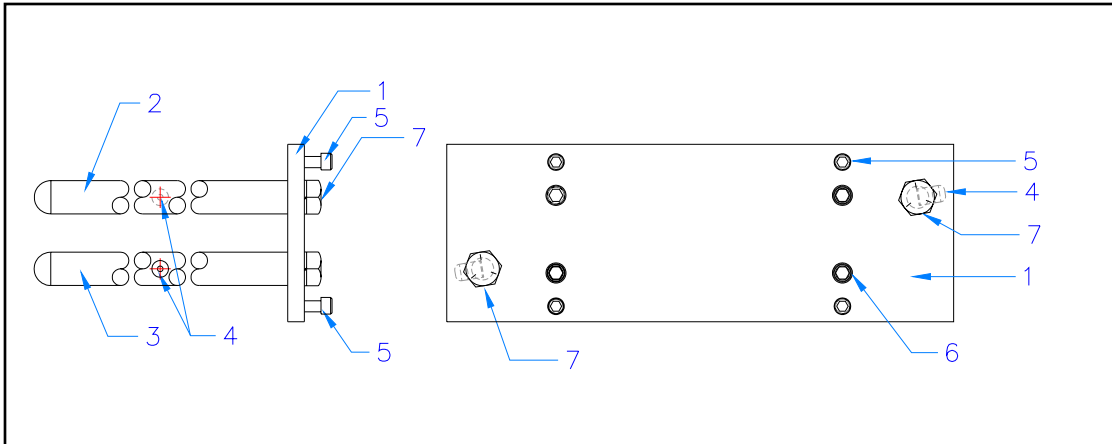
ITEM	P/N	DESCRIPTION	NO.	DETAILS
2	220489	Basket Runners, Ultem	2	Slide runners for baskets.
3	290000	Ultem Screws	16	Mounting screws for the Ultem runners.



### **Upper Guide Assembly, Offset Pin (Item 1) p/n 202219**

ITEM	P/N	DESCRIPTION	NO.	DETAILS
2	202359	Basket Runners, Ultem	2	Slide runners for baskets.
3	290000	Ultem Screws	10	Mounting screws for the Ultem runners.

## AFD-280 Upper Guide Support Assembly



**Note:** The first 175 units manufactured in 1995 have centered pin guides. Newer units have the offset pin guides.

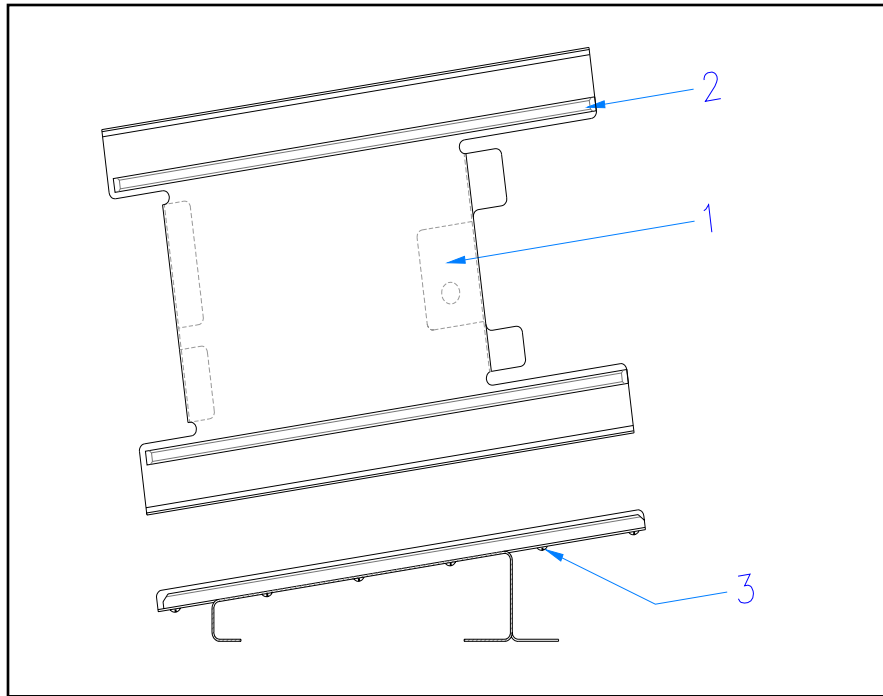
### **AFD-280, Centered Guide Pin, (Item 4)**

ITEM	P/N	DESCRIPTION	NO.	DETAILS
1	220503	Upper Guide Post Mounting Plate	1	Guide Post Mount
2	220501	Upper Guide Post ( <b>No Longer Available</b> )	1	Post to which the Upper Guide is mounted.
3	220502	Upper Guide Post ( <b>No Longer Available</b> )	1	Post to which the Upper Guide is mounted.
4	202476	Fillister Head Screw , 5/16- 18 x 1/2 ”	2	Locates Upper Guide on Mounting Posts
5	202073	Socket Head Cap Screw, 1/4-20 X 3/4”	4	Adjusts Mounting Plate positioning.
6	213539	Socket Head Cap Screw, 1/4-20 X 1”	4	Secures Mounting Plate to Dispenser Chassis
	213142	Lock Washer, 1/4”	4	
7	202174	Socket Head Bolt, 1/2” X 1-1/4”	2	Secures Upper Guide Posts to Mounting Plate
	213264	Lock Washer, 1/2”	2	

### **AFD-280 Offset Guide Pin, (Item 4)**

ITEM	P/N	DESCRIPTION	NO.	DETAILS
1	220503	Upper Guide Post Mounting Plate	1	Guide Post Mount
2	202218	Upper Guide Post	1	Post to which the Upper Guide is mounted.
3	202218	Upper Guide Post	1	Post to which the Upper Guide is mounted.
4	202044	Fillister Head Screw ,1/4-20 X 1/2”	2	Locates Upper Guide on Mounting Posts
5	202073	Socket Head Cap Screw, 1/4-20 X 3/4”	4	Adjusts Mounting Plate positioning.
6	213539	Socket Head Cap Screw, 1/4-20 X 1”	4	Secures Mounting Plate to Dispenser Chassis
	213142	Lock Washer, 1/4”	4	
7	202174	Socket Head Bolt, 1/2-13 x 1-1/4”	2	Secures Upper Guide Posts to Mounting Plate
	213264	Lock Washer, 1/2”	2	

**AFD-280 Lower Guide**



**Lower Guide Assembly p/n 202779 (Item 1)**

ITEM	P/N	DESCRIPTION	NO.	DETAILS
2	220494	Basket Runners, Ultem	2	Slide runners for baskets.
3	290000	Mounting Screws	12	Mounting Screws