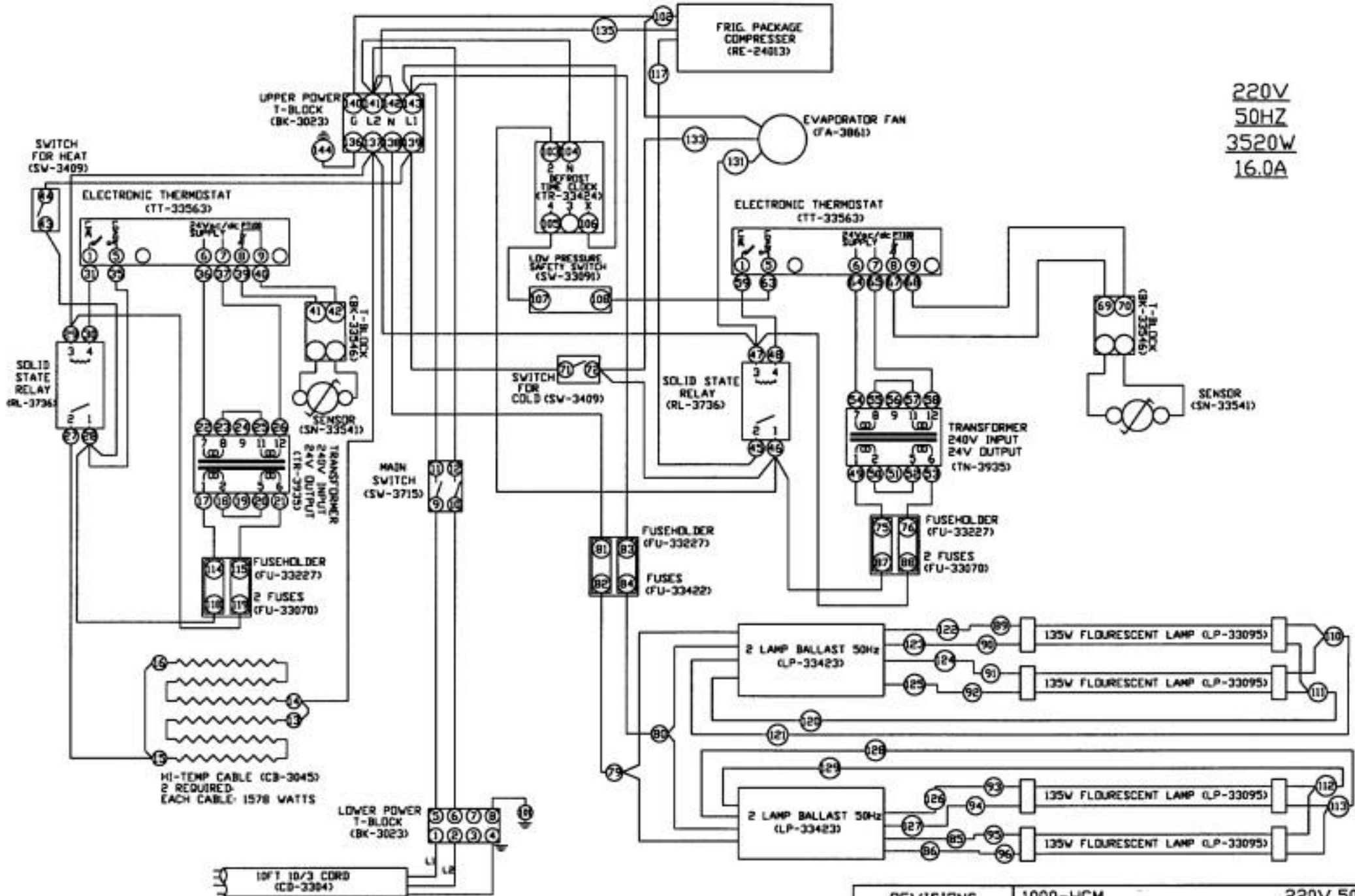
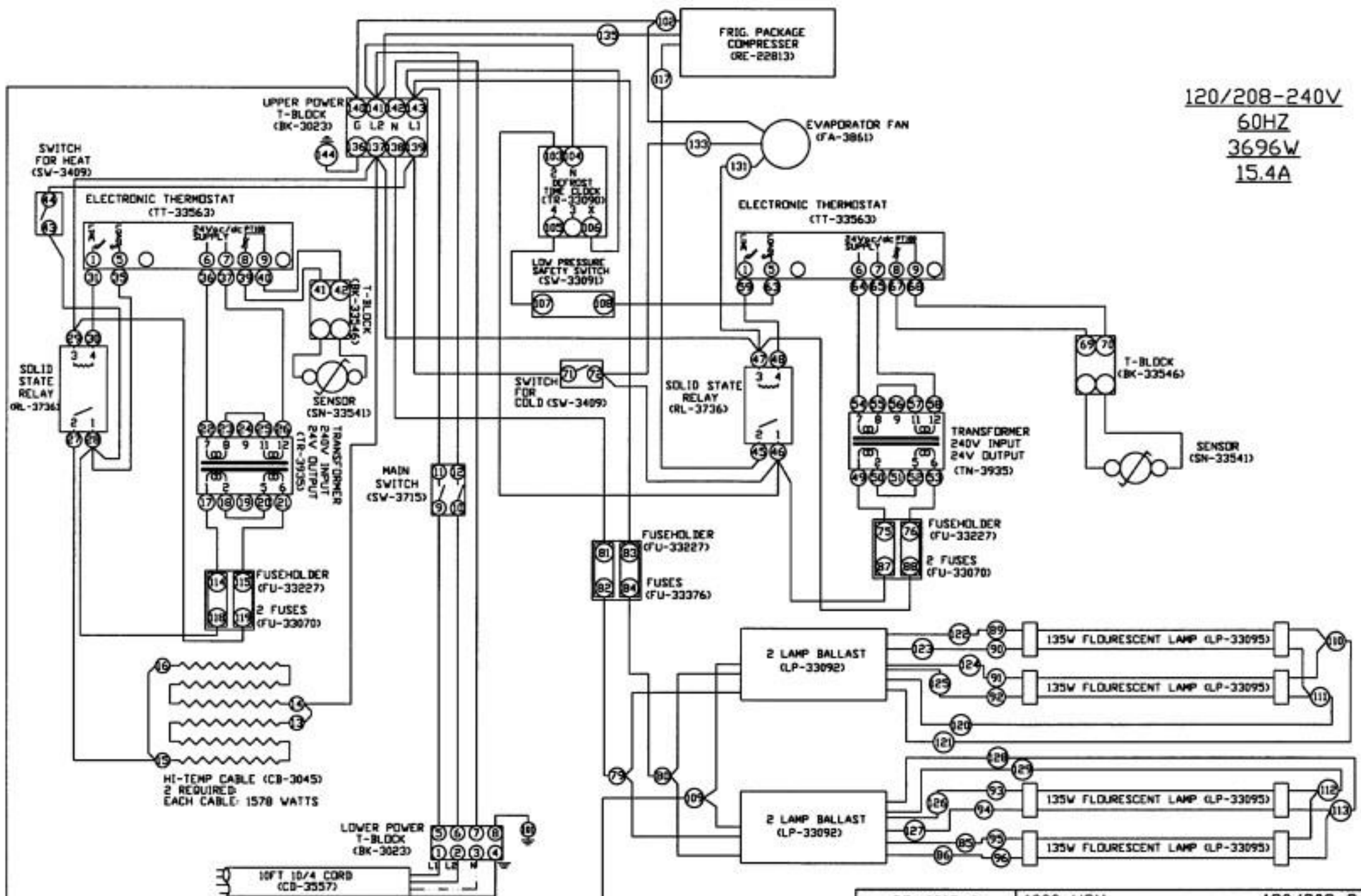


220V
50HZ
3520W
16.0A



NOTE #1: ALL NUMBERS IN () = ALTO-SHAAM PART NUMBERS.
NOTE #2: SEE DRAWING #C-BB43 FOR WIRE ASSEMBLIES.

REVISIONS			1000-HCM	220V, 50Hz, 1PH						
NO.	DATE	BY	<p style="text-align: center;">WIRING DIAGRAM</p> <p style="text-align: center;">ALTO-SHAAM INC.</p> <p style="text-align: center;">MENOMONEE FALLS, WISCONSIN</p>							
1	09/20/99	JMM								
2	04/27/00	NW								
3										
4										
5			<table border="1" style="width: 100%;"> <tr> <td>DRAWN BY RS</td> <td>SCALE NONE</td> <td>DWG. NO.</td> </tr> <tr> <td>APP'D MS</td> <td>DATE 3/03/98</td> <td>A-7478</td> </tr> </table>	DRAWN BY RS	SCALE NONE	DWG. NO.	APP'D MS	DATE 3/03/98	A-7478	
DRAWN BY RS	SCALE NONE	DWG. NO.								
APP'D MS	DATE 3/03/98	A-7478								



NOTE #1: ALL NUMBERS IN () = ALTO-SHAAM PART NUMBERS.
 NOTE #2: SEE DRAWING #C-8842 FOR WIRE ASSEMBLIES.

REVISIONS			1000-HCM	120/208-240V,60Hz	
NO.	DATE	BY	WIRING DIAGRAM		
1	09/20/99	JMM	ALTO-SHAAM INC. MENOMONEE FALLS, WISCONSIN		
2	04/27/00	NW			
3			DRAWN BY RS	SCALE NONE	DWG. NO.
4			APP'D MS	DATE 3/03/98	A-7477