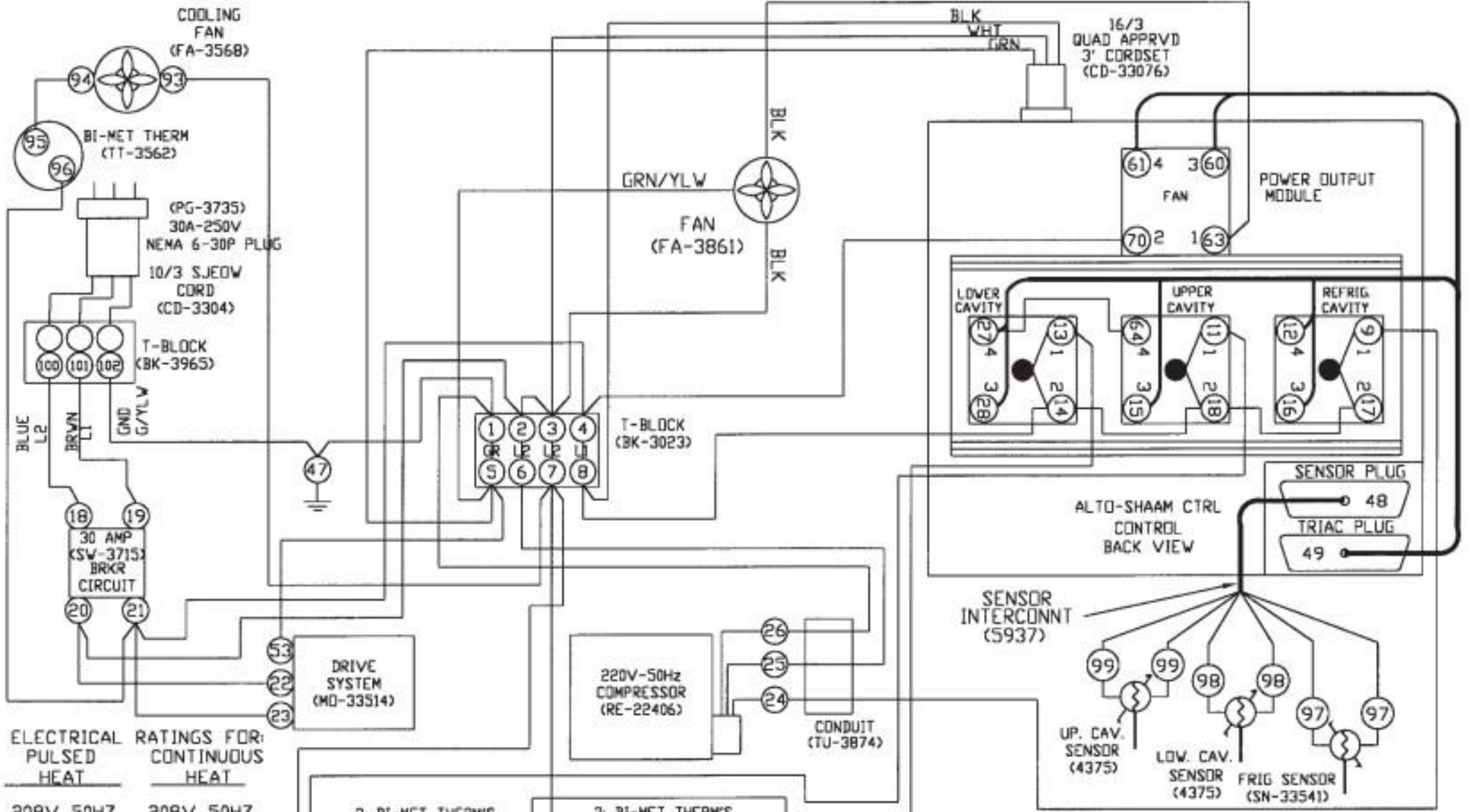


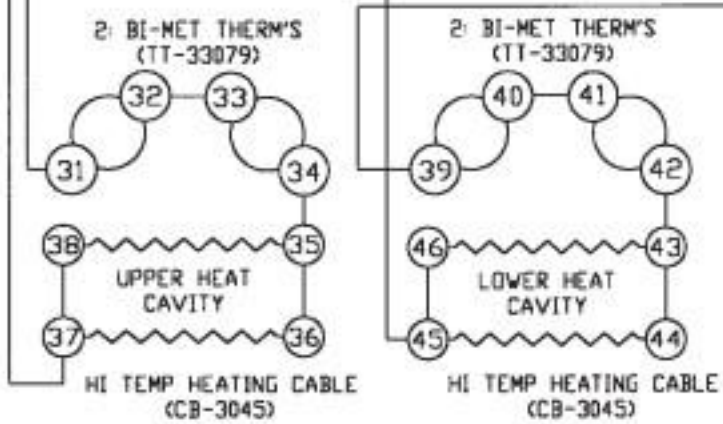
NOTE #1: PHASE TO NEUTRAL MUST NOT EXCEED 240V FOR SUPPLY  
 NOTE #2: ALL NUMBERS IN ( ) = ALTO-SHAAM PART NUMBERS  
 NOTE #3: SEE DRW. #C-8653 FOR WIRE ASSEMBLIES

REVISIONS			1400-DC/20, 24 (220/380V 50Hz - 3PH)		
NO.	DATE	BY			
9	12/10/98	JMM	<b>WIRING DIAGRAM</b> <b>ALTO-SHAAM INC.</b> MENOMONEE FALLS, WISCONSIN		
10	4/28/99	JMM			
11	9/16/99	JMM			
12			DRAWN BY ALO	SCALE 1"=1"	DWG. NO.
13			APP'D MSM	DATE 03/09/92	<b>A-7333</b>



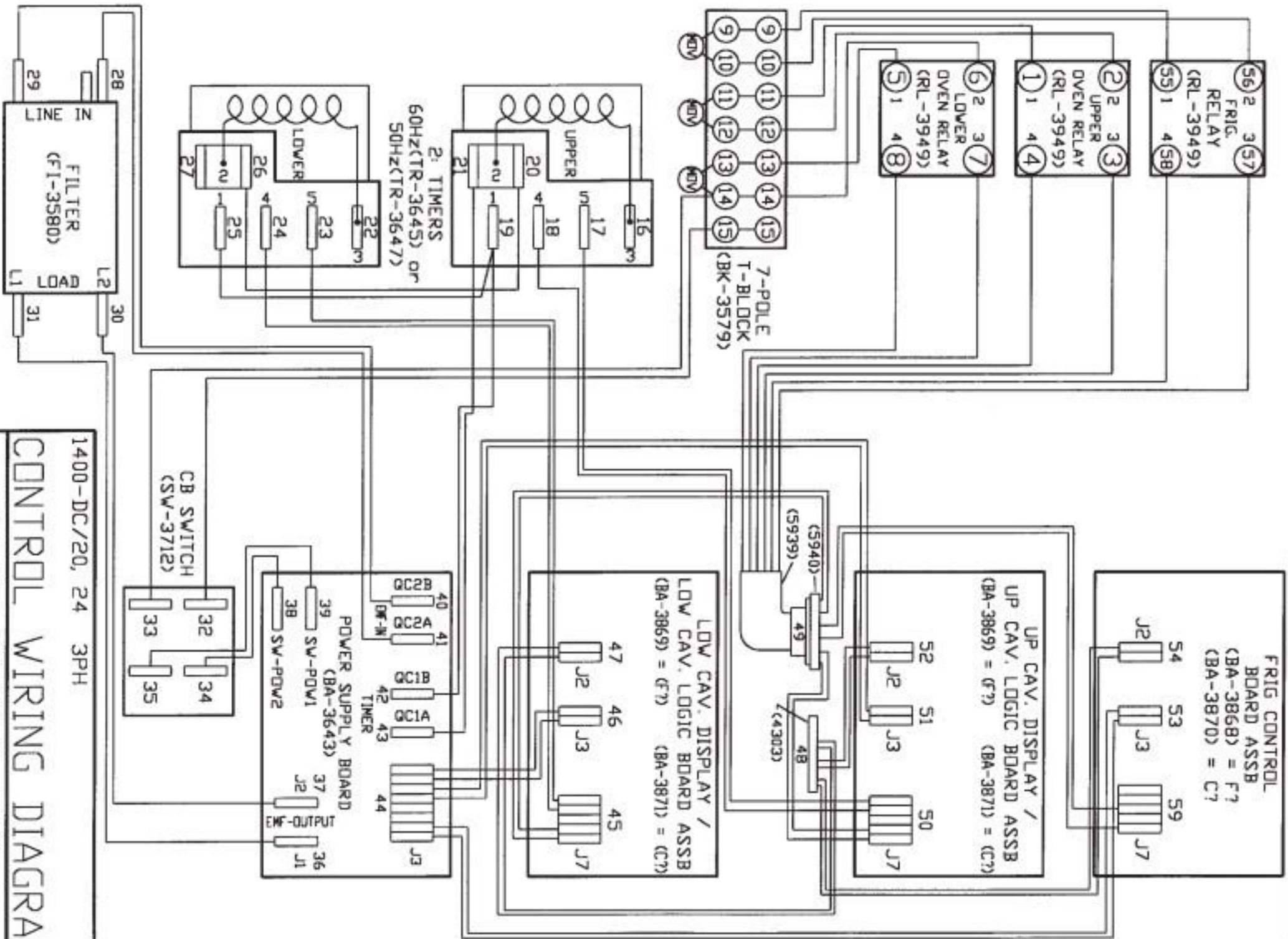
**ELECTRICAL RATINGS FOR:**

	<b>PULSED HEAT</b>	<b>CONTINUOUS HEAT</b>
208V 50HZ	2590 WATTS	4784 WATTS
	12.7 AMPS	23.0 AMPS
220V 50HZ	2745 WATTS	
	13.1 AMPS	
230V 50HZ	2956 WATTS	
	13.6 AMPS	
240V 50HZ	3191 WATTS	5760 WATTS
	13.9 AMPS	24.0 AMPS



NOTE 1: ALL NUMBERS IN O = ALTO-SHAAM PART NUMBERS.  
 NOTE 2: SEE DRW. WC-8655 FOR WIRE ASSEMBLIES.

REVISIONS			1400-DC	208/240V,50HZ,1PH
NO.	DATE	BY	UNIT WIRE DIA.	
8	02/08/95	RS	ALTO-SHAAM INC. MENDOTA, WISCONSIN	
9	05/08/95	RS		
10	12/10/98	JMM		
11	08/17/99	JMM	DRAWN BY ALD	SCALE 1"=1'
12	09/16/99	JMM	APP'D MSM	DATE 04/30/92
				DWG. NO.
				A-7334



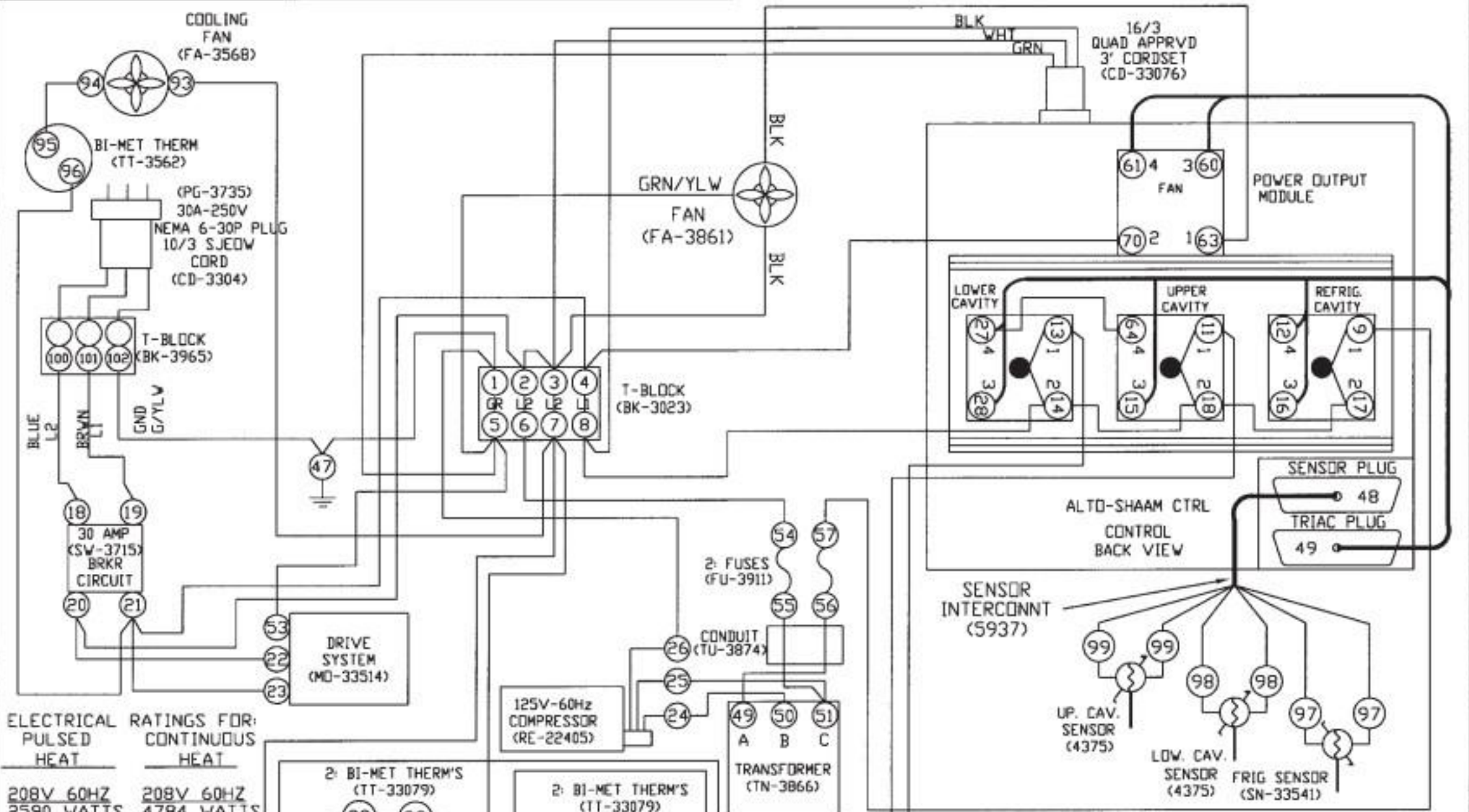
NOTE: SEE DRW. HC-8652 FOR WIRE ASSEMBLIES

1400-DC/20, 24 3PH

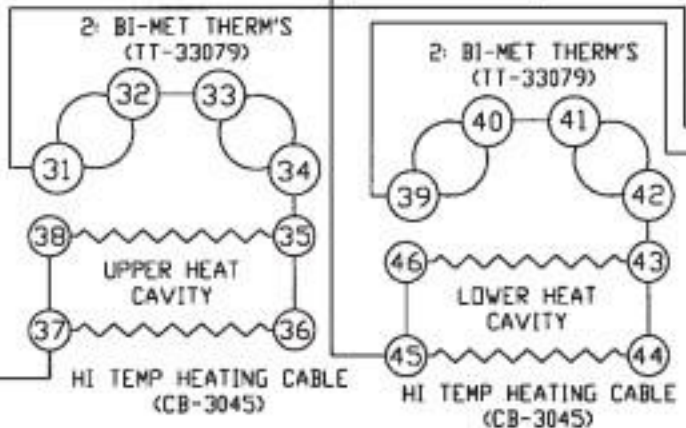
# CONTROL WIRING DIAGRAM

ALTO-SHAAM INC.

DRAWN BY ALD	SCALE 1"=1'	DWG. NO.
REV #1: 6-20-97	DATE 2-27-92	A-7332



ELECTRICAL RATINGS FOR PULSED HEAT	RATINGS FOR CONTINUOUS HEAT
208V 60HZ 2590 WATTS 12.7 AMPS	208V 60HZ 4784 WATTS 23.0 AMPS
220V 60HZ 2745 WATTS 13.1 AMPS	
230V 60HZ 2956 WATTS 13.6 AMPS	
240V 60HZ 3191 WATTS 13.9 AMPS	240V 60HZ 5760 WATTS 24.0 AMPS



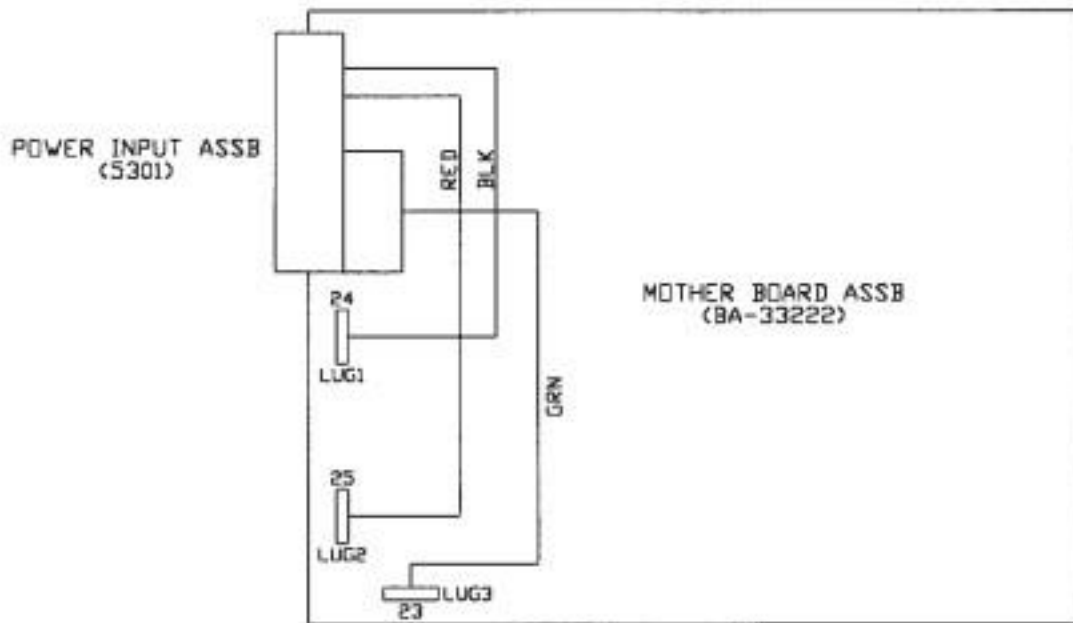
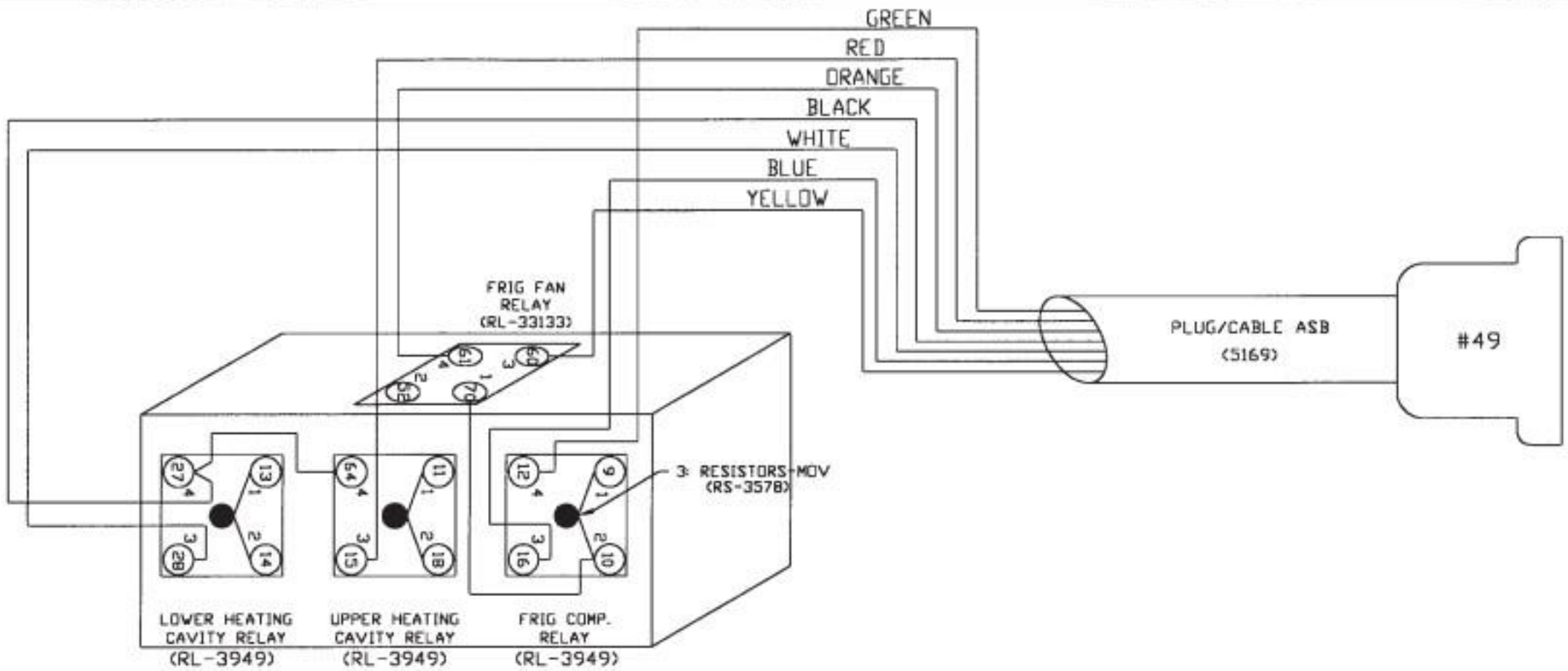
NOTE 1: ALL NUMBERS IN ( ) = ALTO-SHAAM PART NUMBERS  
 NOTE 2: SEE DRW. NC-8651 FOR WIRE ASSEMBLIES

REVISIONS			1400-DC	208/240V,60HZ,1PH
NO.	DATE	BY		
10	05/08/95	RS		
11	12/09/98	JMM		
12	04/28/99	JMM		
13	09/16/99	JMM	DRAWN BY ALD	SCALE 1"=1"
14			APP'D MSM	DATE 04/30/92

UNIT WIRE DIA.

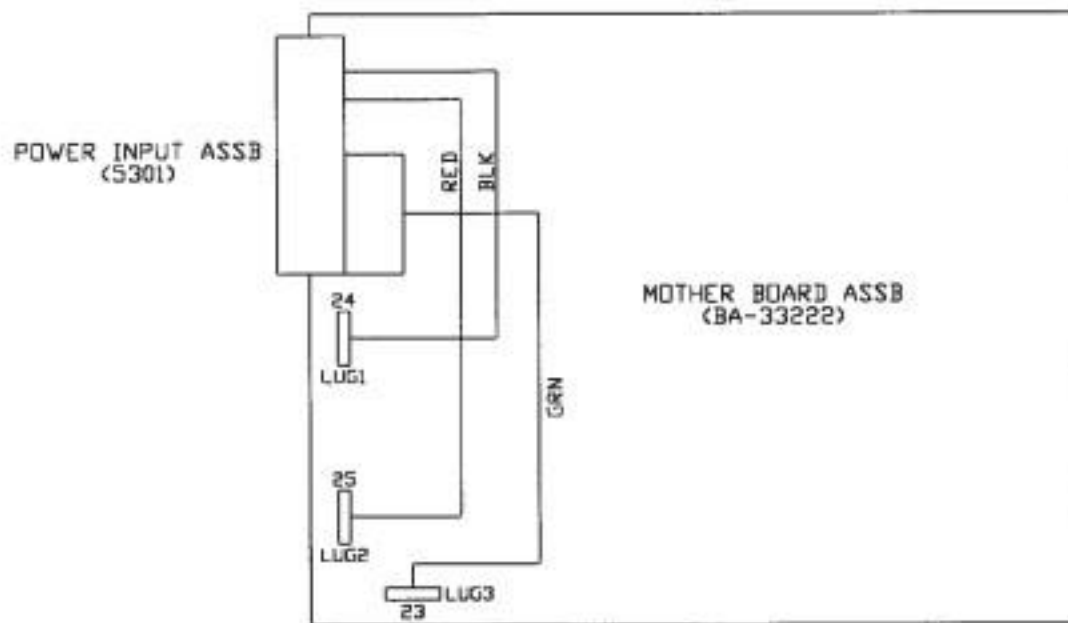
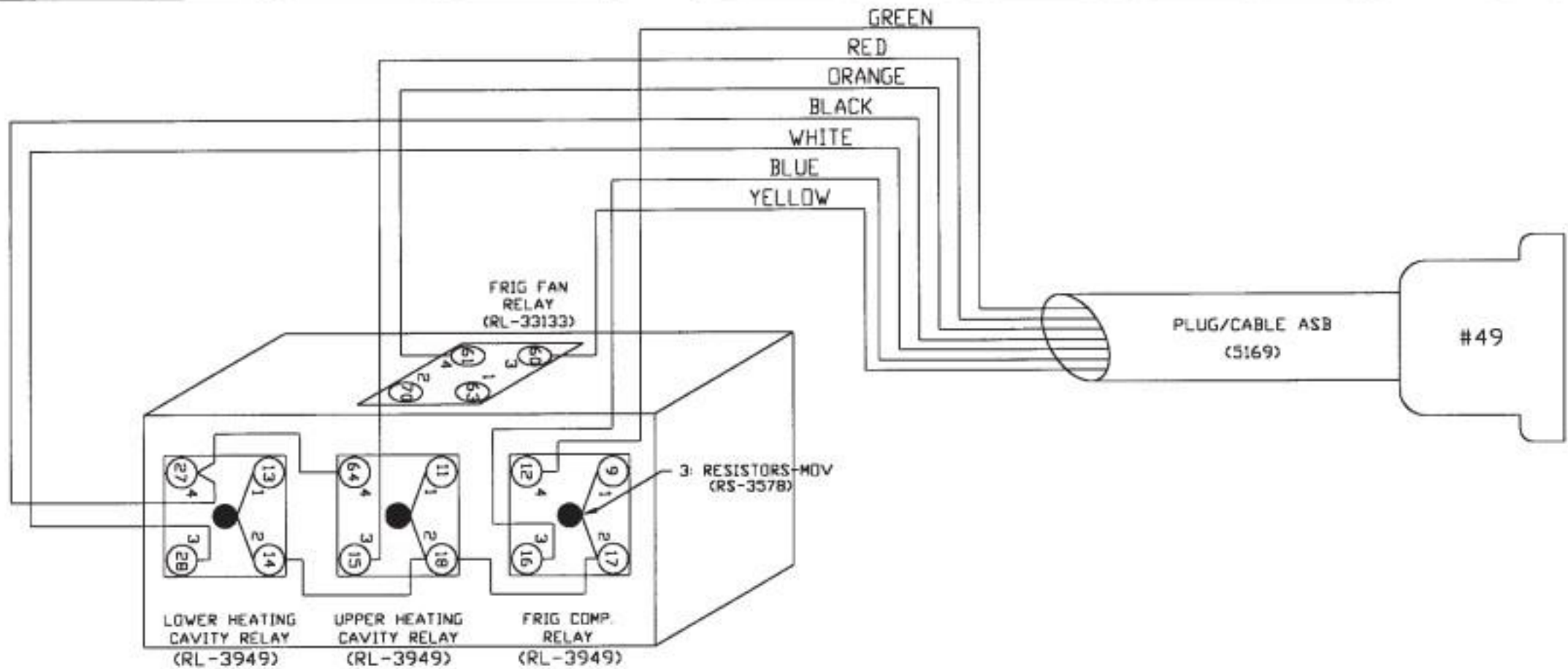
ALTO-SHAAM INC.  
MENDOTA FALLS, WISCONSIN

DWG. NO.  
**A-7331**



NOTE: SEE DRW. #B-8874 FOR WIRE ASSEMBLIES

REVISIONS			1400-DC/20,24 3PH		
NO.	DATE	BY	CONTROL WIRING DIAGRAM		
1	4/06/99	JMM	ALTO-SHAAM INC. MENDOTA FALLS, WISCONSIN		
2					
3					
4			DRAWN BY JMM	SCALE 1"=1'	DWG. NO.
5			APP'D LRP	DATE 12/09/98	A-7504



NOTE: SEE DRW. #C-8650 FOR WIRE ASSEMBLIES

REVISIONS			1400-DC/20,24 1PH		
NO.	DATE	BY	CONTROL WIRING DIAGRAM		
1	05/19/94	LRP	ALTO-SHAAM INC. MENDOTA FALLS, WISCONSIN		
2	02/08/95	RS			
3	07/09/96	RS	DRAWN BY ALO SCALE 1"=1" DWG. NO.		
4	06/20/97	RS			
5	4/06/99	JMM	APP'D LRP	DATE 02/24/92	A-7330