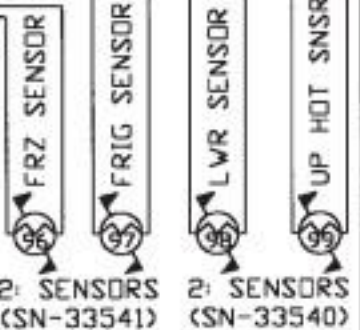


CONTROL CORD (CD-33077)

ALTO-SHAAM CONTROL

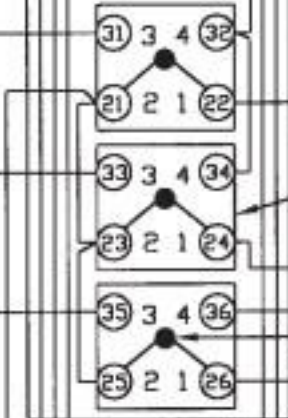
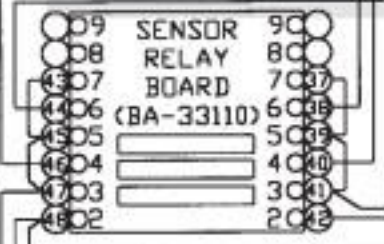
POWER MOD. CABLE ASB #15005

SNSR ASSB (14016)



2: SENSORS (SN-33541)
2: SENSORS (SN-33540)

MOTOR DRIVE (MD-33514)



FREEZER SOLENOID (RE-22877)

REFRIG SOLENOID (RE-22877)

FAN (FA-3861)

T-BLOCK (BK-33126)

FUSES (FU-3775)

WHITE

BLK

12/3 SJEDW-A CORD (CD-3607)

CRCT BRKR (SW-3715)

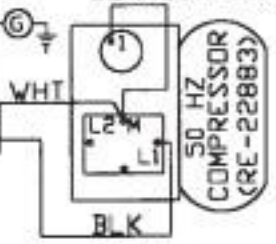
PLUG (PG-3735)
POWER CORD CD-3304 10/3

POWER CORD T-BLOCK (BK-33126)

T-BLOCK (BK-3019)

NOTE #1: ALL NUMBER IN () = ALTO-SHAAM PART NUMBERS
NOTE #2: SEE DRW. #B-8728 FOR WIRE ASSEMBLIES

BLK JUMPER



50 HZ COMPRESSOR (RE-22883)

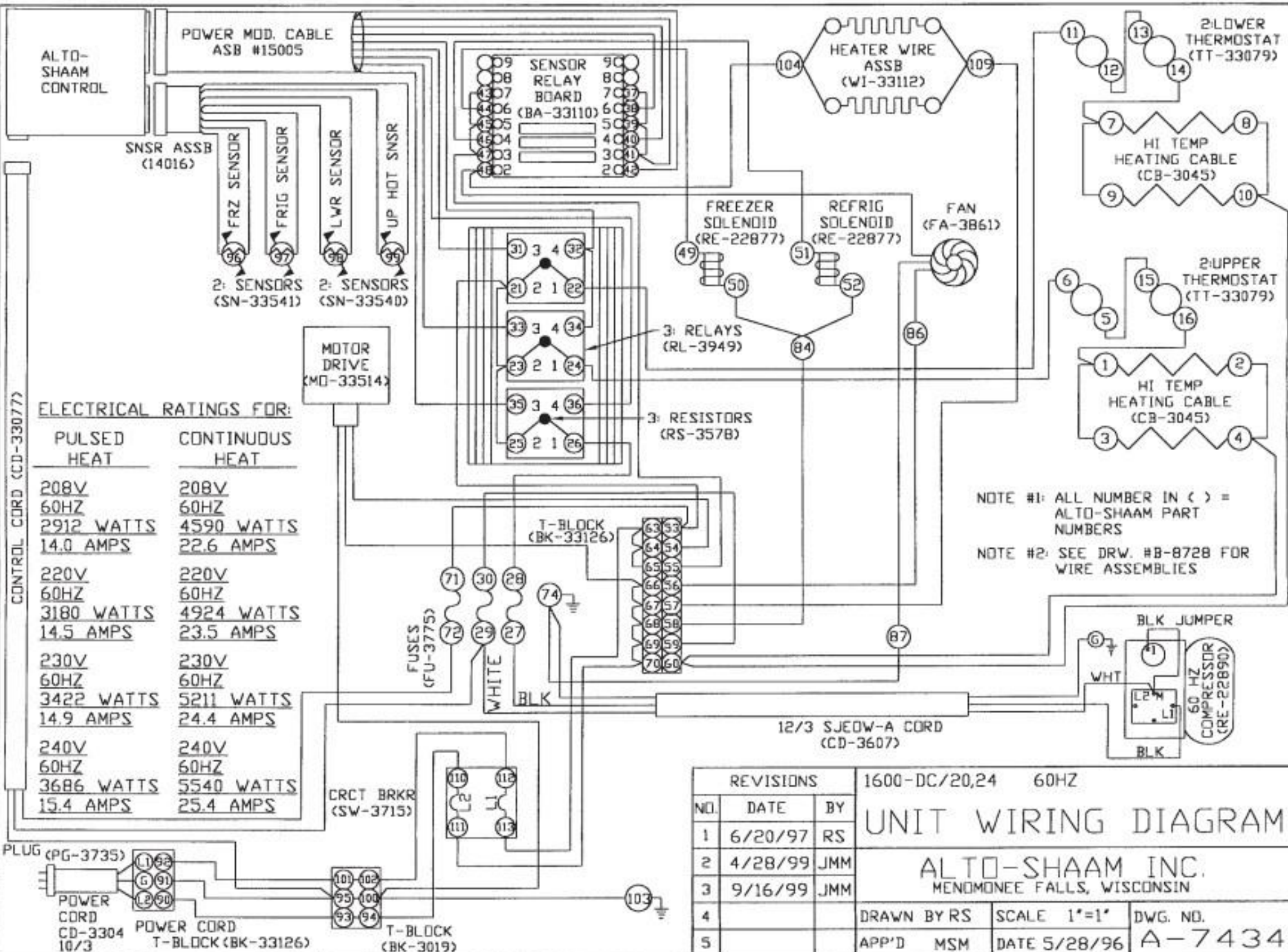
HEATER WIRE ASSB (W1-33112)

HI TEMP HEATING CABLE (CB-3045)

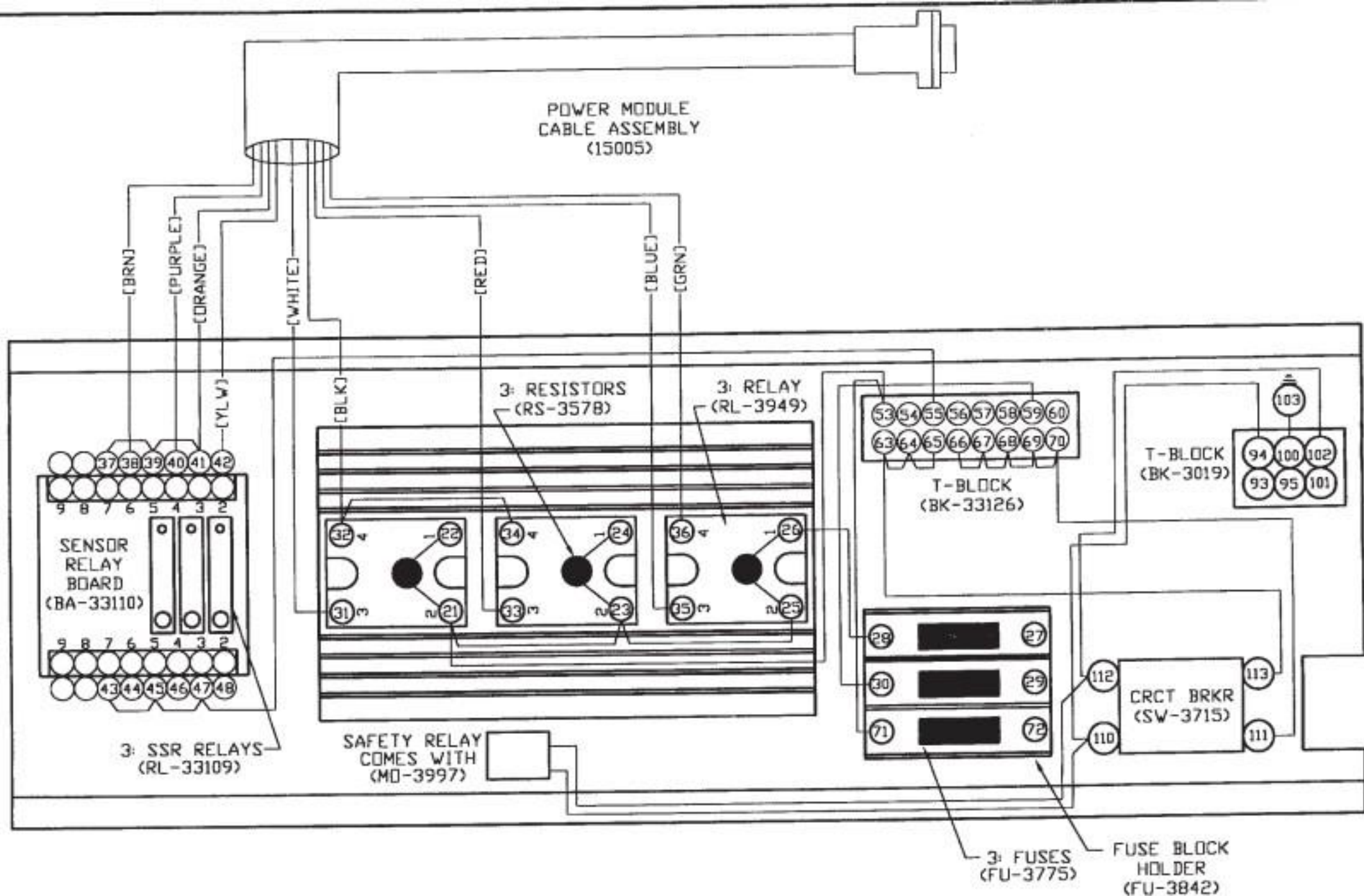
2: UPPER THERMOSTAT (TT-33079)

HI TEMP HEATING CABLE (CB-3045)

2: LOWER THERMOSTAT (TT-33079)



REVISIONS			1600-DC/20,24 60HZ		
NO.	DATE	BY	UNIT WIRING DIAGRAM		
1	6/20/97	RS	ALTO-SHAAM INC. MEMONEE FALLS, WISCONSIN		
2	4/28/99	JMM			
3	9/16/99	JMM			
4			DRAWN BY RS	SCALE 1"=1"	DWG. NO.
5			APP'D MSM	DATE 5/28/96	A-7434



NOTE #1: ALL NUMBERS IN () = ALTO-SHAAM PART NUMBERS
 NOTE #2: SEE DRW. #B-8729 FOR WIRE ASSEMBLIES

REVISIONS			1600-DC		
NO.	DATE	BY	PWR MOD WIRING DIA		
1	05/24/95	RS	ALTO-SHAAM INC. MENOMONEE FALLS, WISCONSIN		
2	11/22/95	RS			
3	06/20/97	RS			
4			DRAWN BY LRP	SCALE 1/2"=1"	DWG. NO.
5			APP'D	DATE 1/05/95	A-7408