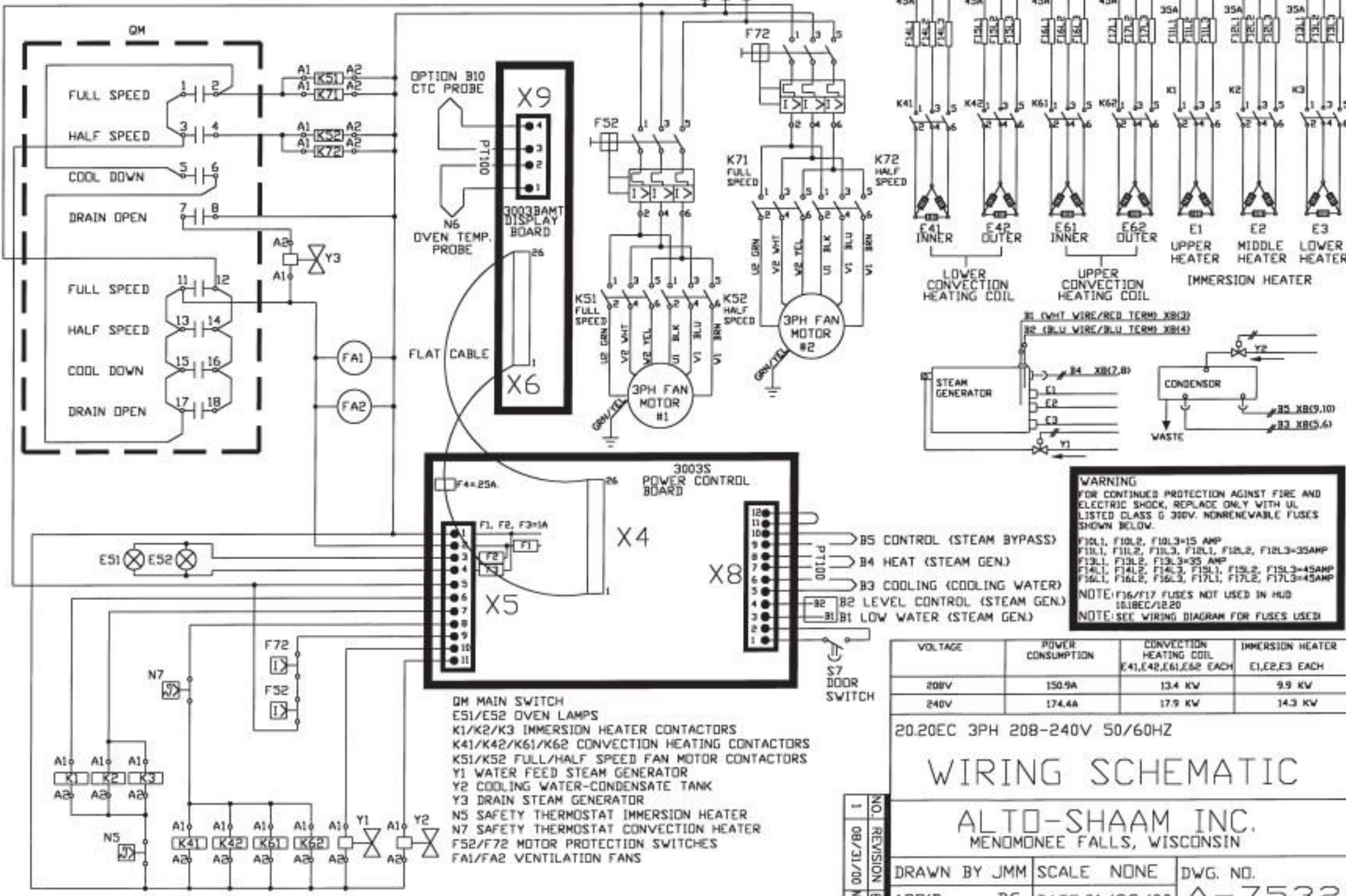
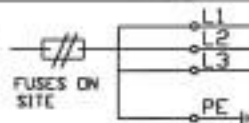


3PH 208/240V AC 50/60Hz

PLEASE CONSULT LOCAL POWER SUPPLY REGULATIONS !



WARNING
 FOR CONTINUED PROTECTION AGAINST FIRE AND ELECTRIC SHOCK, REPLACE ONLY WITH UL LISTED CLASS G 300V, NONRENEWABLE FUSES SHOWN BELOW.

F10L1, F10L2, F10L3=15 AMP
 F11L1, F11L2, F11L3, F12L1, F12L2, F12L3=35AMP
 F13L1, F13L2, F13L3=35 AMP
 F14L1, F14L2, F14L3, F15L1, F15L2, F15L3=45AMP
 F16L1, F16L2, F16L3, F17L1, F17L2, F17L3=45AMP

NOTE: F16/F17 FUSES NOT USED IN HUD 1018EC/1220
 NOTE: SEE WIRING DIAGRAM FOR FUSES USED!

VOLTAGE	POWER CONSUMPTION	CONVECTION HEATING COIL E41,E42,E61,E62 EACH	IMMERSION HEATER E1,E2,E3 EACH
208V	150.9A	13.4 KW	9.9 KW
240V	174.4A	17.9 KW	14.3 KW

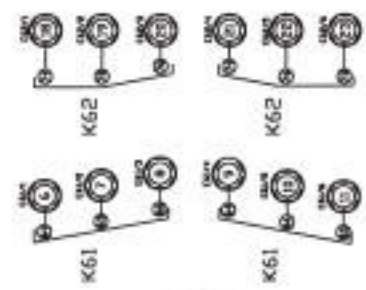
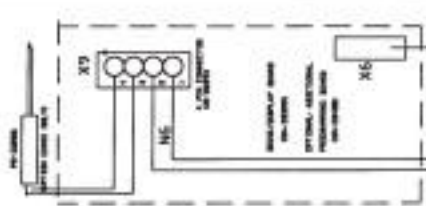
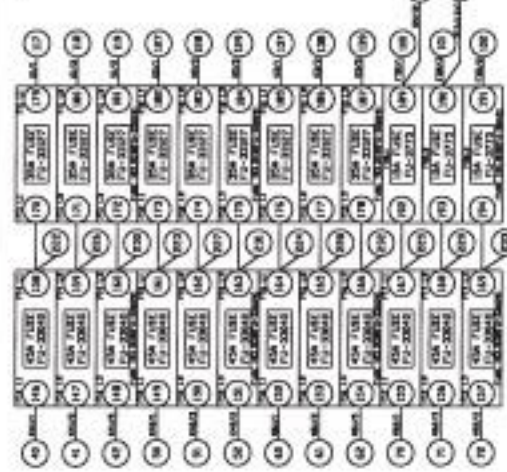
20.20EC 3PH 208-240V 50/60HZ

WIRING SCHEMATIC

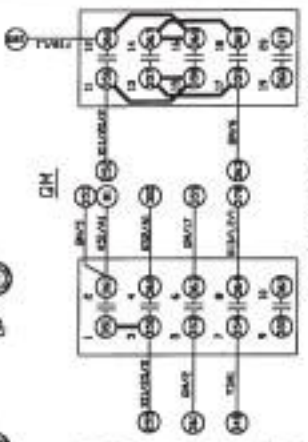
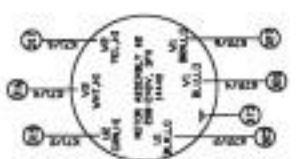
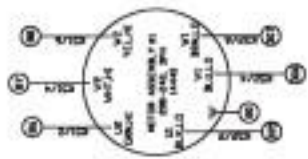
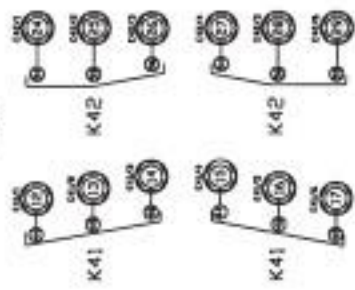
ALTO-SHAAM INC.
 MENOMONEE FALLS, WISCONSIN

NO. 1	REVISION	SCALE NONE	DWG. NO.
08/31/00			A-7532
APP'D	BG	DATE 01/28/00	

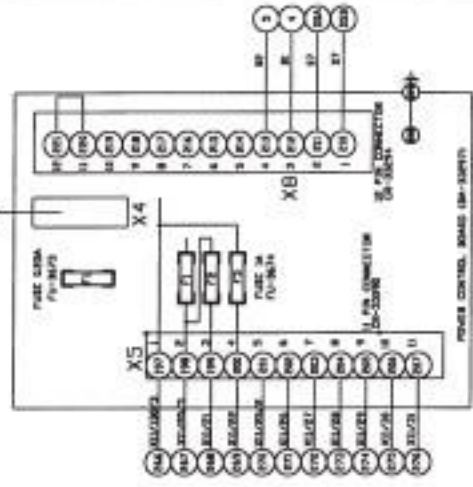
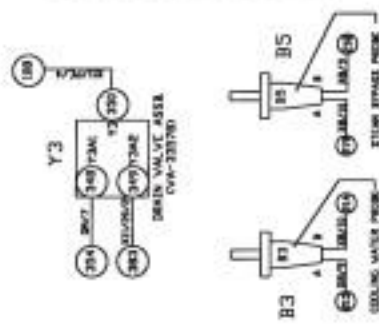
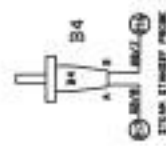
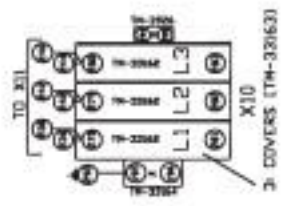
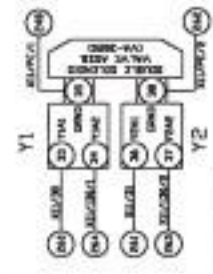
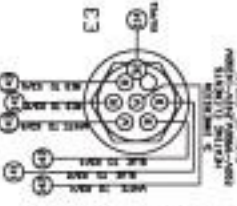
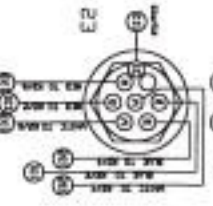
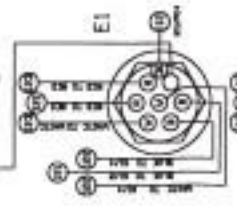
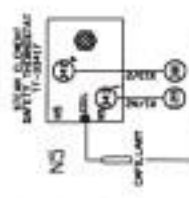
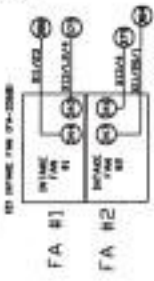
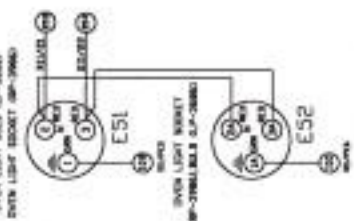
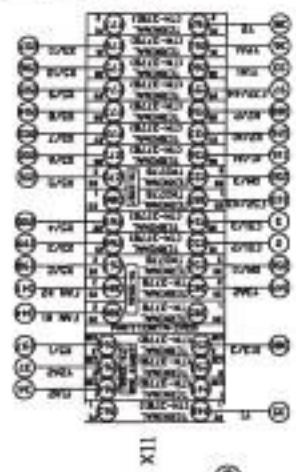
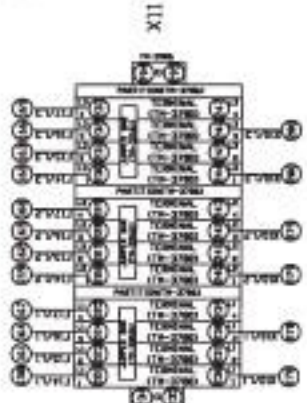
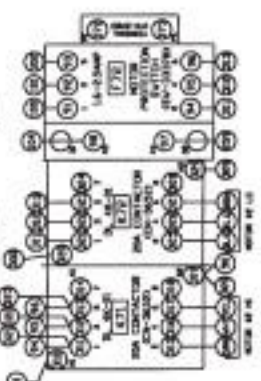
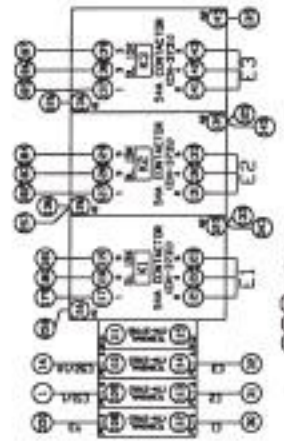
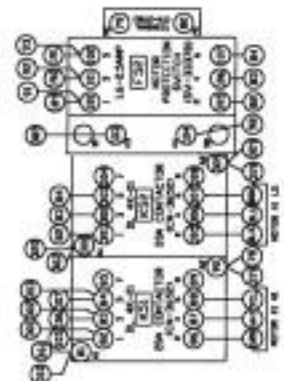
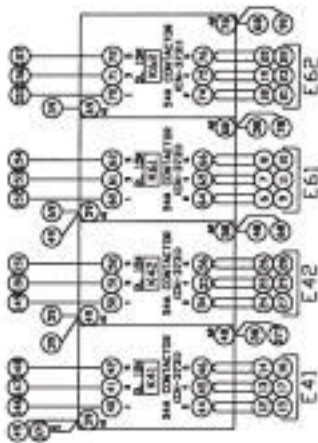
- QM MAIN SWITCH
- E51/E52 OVEN LAMPS
- K1/K2/K3 IMMERSION HEATER CONTACTORS
- K41/K42/K61/K62 CONVECTION HEATING CONTACTORS
- K51/K52 FULL/HALF SPEED FAN MOTOR CONTACTORS
- Y1 WATER FEED STEAM GENERATOR
- Y2 COOLING WATER-CONDENSATE TANK
- Y3 DRAIN STEAM GENERATOR
- N5 SAFETY THERMOSTAT IMMERSION HEATER
- N7 SAFETY THERMOSTAT CONVECTION HEATER
- F52/F72 MOTOR PROTECTION SWITCHES
- FA1/FA2 VENTILATION FANS



WIRING DIAGRAM



RETURN POWER BATTERY 8 POSITION W/ST (SI-3085/3086)



208V 150.9AMPS/PHASE
TOTAL 54.3 KW
240V 174.4AMPS/PHASE
TOTAL 72.4KW

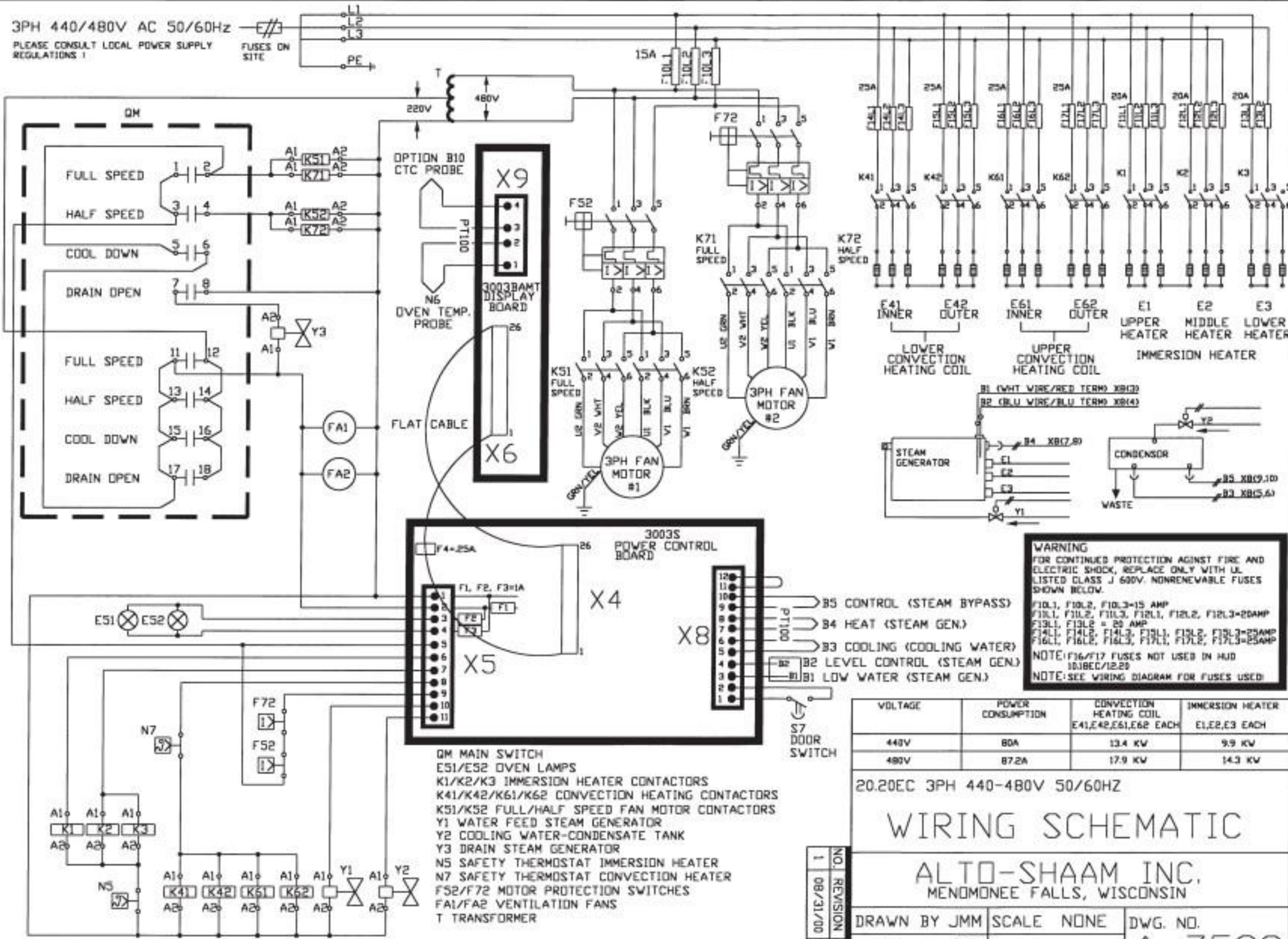
REV	BY	DATE	DESCRIPTION

WIRING DIAGRAM
ALTO-SHAAM, INC.
MEMPHIS, TENN.

3PH 440/480V AC 50/60Hz

PLEASE CONSULT LOCAL POWER SUPPLY REGULATIONS

FUSES ON SITE



WARNING
 FOR CONTINUED PROTECTION AGAINST FIRE AND ELECTRIC SHOCK, REPLACE ONLY WITH UL LISTED CLASS J 600V, NONRENEWABLE FUSES SHOWN BELOW.
 F10L1, F10L2, F10L3=15 AMP
 F13L1, F13L2, F13L3, F12L1, F12L2, F12L3=20AMP
 F13L1, F13L2 = 20 AMP
 F14L1, F14L2, F14L3, F13L1, F13L2, F13L3=25AMP
 F16L1, F16L2, F16L3, F13L1, F13L2, F13L3=25AMP
 NOTE: F16/F17 FUSES NOT USED IN HUD 10JBE/12.20
 NOTE: SEE WIRING DIAGRAM FOR FUSES USED

VOLTAGE	POWER CONSUMPTION	CONVECTION HEATING COIL E41,E42,E61,E62 EACH	IMMERSION HEATER E1,E2,E3 EACH
440V	80A	13.4 KW	9.9 KW
480V	87.2A	17.9 KW	14.3 KW

20.20EC 3PH 440-480V 50/60HZ

WIRING SCHEMATIC

ALTO-SHAAM INC.
 MENOMONEE FALLS, WISCONSIN

NO. REVISION	BY
1	08/31/00
00/01/00	NW

DRAWN BY JMM	SCALE NONE	DWG. NO.
APP'D BG	DATE 01/28/00	A-7533

- QM MAIN SWITCH
- E51/E52 OVEN LAMPS
- K1/K2/K3 IMMERSION HEATER CONTACTORS
- K41/K42/K61/K62 CONVECTION HEATING CONTACTORS
- K51/K52 FULL/HALF SPEED FAN MOTOR CONTACTORS
- Y1 WATER FEED STEAM GENERATOR
- Y2 COOLING WATER-CONDENSATE TANK
- Y3 DRAIN STEAM GENERATOR
- N5 SAFETY THERMOSTAT IMMERSION HEATER
- N7 SAFETY THERMOSTAT CONVECTION HEATER
- F52/F72 MOTOR PROTECTION SWITCHES
- FA1/FA2 VENTILATION FANS
- T TRANSFORMER

