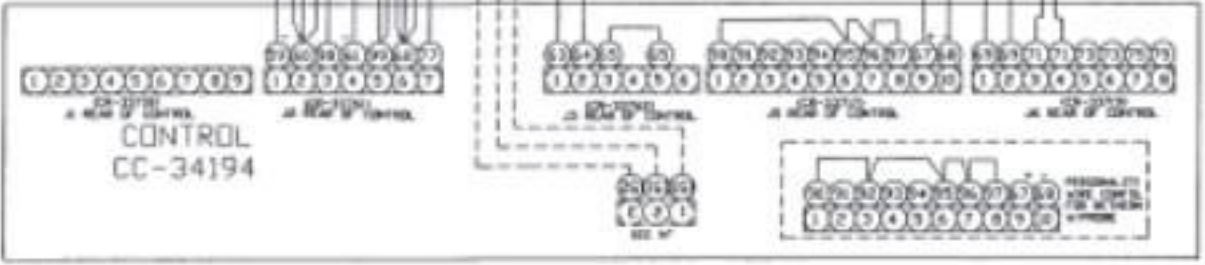


- CC-34194  
JB Connections are as follows:  
1-6 = Single Cavity  
1-7 = Return tube for 400V maximum temperature  
1-8 = Smoker  
1-9 = Not Used currently - See Jeremy  
1-4 = 120V  
1-3 = Probe  
1-2 = Not used

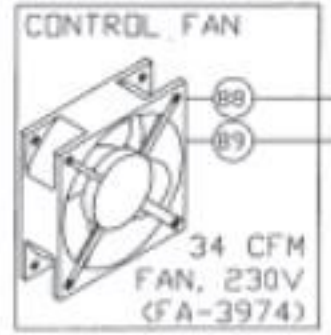
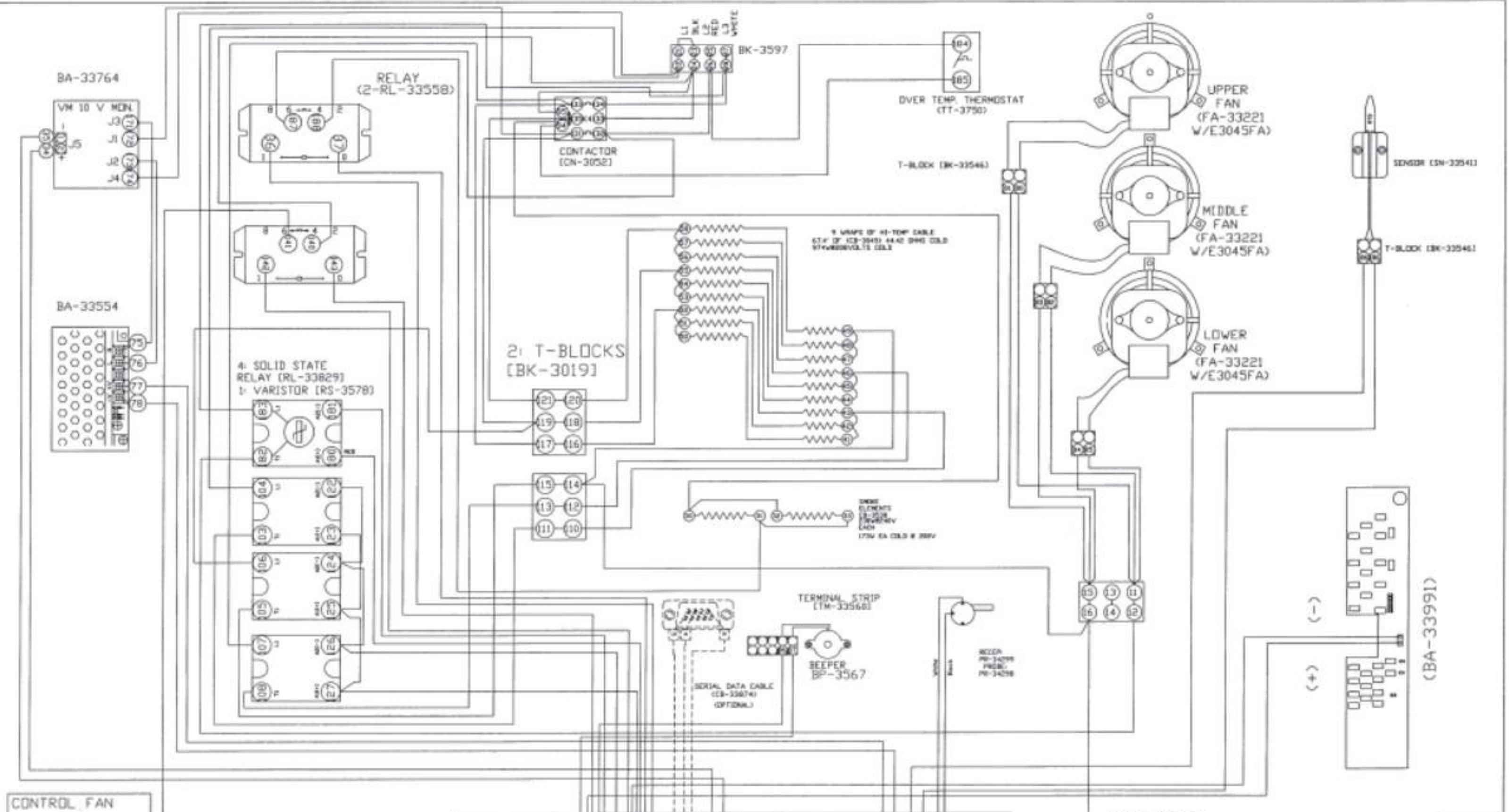


REV	REV	DATE	BY
1	07/28/97	MP	
2	08/05/97	MP	

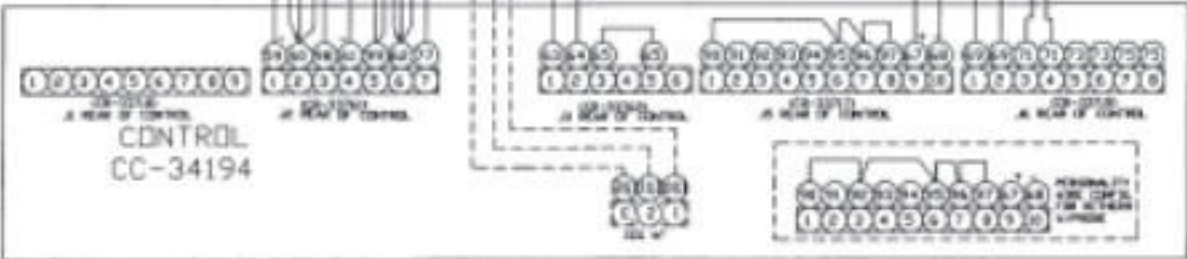
MODEL:	2800-SK/111	280V DUAL	
PH	VOLTS	WATTS	AMPS
1	280V	860W	4.15A

**ALTO-SHAAM**  
MEMPHIS FALLS, WIL. 5005-430

REV: 6/95/97  
SCALE: 1:1  
Dwg: 77027



- CC-34194  
J5 Connections are as follows:
- 1-8 = Single cavity
  - 1-7 = Bottom (use for 480T maximum temperature)
  - 1-4 = Switch
  - 1-5 = Not used currently - See Jeremy
  - 1-4 = 120V
  - 1-3 = Probe
  - 1-2 = Not used



175W x 8 = 800W HEAT  
175W x 2 = 350W COOLING  
TOTAL POWER = 1150 @ 230V 50/60

HEAT CURRENT = 200/444 @ 3 & 3 SWITCH = 24.20A  
ENGINE CURRENT = 1170/100/230V = 4.64A  
TOTAL CURRENT = 24.20 + 4.64 = 28.84A

REV 30-30 POWER CALC

Ph	VOLTS	WATTS	AMPS
3	230V	911W	23.96A

MODELS: 2800-SK/III 230V ONLY

**AUTO-SHAAM**  
MONTICELLO FALLS, VT. 05654-100

BY: HPS SCALE: ENG: 0-77076  
APP: DATE: 8/18/85

REV DATE BY