

Cold Wells

**100-CW, 200-CW, 300-CW,
400-CW, 500-CW, 600-CW**



Manufacturer's Information

Copyright

© Copyright 09/25 by Alto-Shaam, Inc.
All rights reserved.
This manual or any portion thereof may not be reproduced or used in any manner whatsoever without the express written permission of Alto-Shaam, Inc

Trademarks

All trademarks referenced in this documentation are the property of their respective owners.

Manufacturer

Alto-Shaam, Inc.
P.O. Box 450
W164 N9221 Water Street
Menomonee Falls, WI 53052

Models Covered

CW-100 CW-200 CW-300 CW-400 CW-500 CW-600	US (UL Certified) Models
--	--------------------------

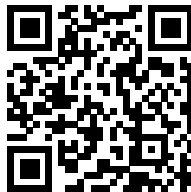
Serial Number

The unit serial number is required for identifying and ordering the correct service parts.
Record the unit serial number below for reference.

Serial Number

Parts Finder Tool

Interactive diagrams from this Parts Manual are available online at our Parts Finder Tool:
<https://www.alto-shaam.com/en/customer-support/parts>.
Or, scan the QR code below.



Parts Ordering Information

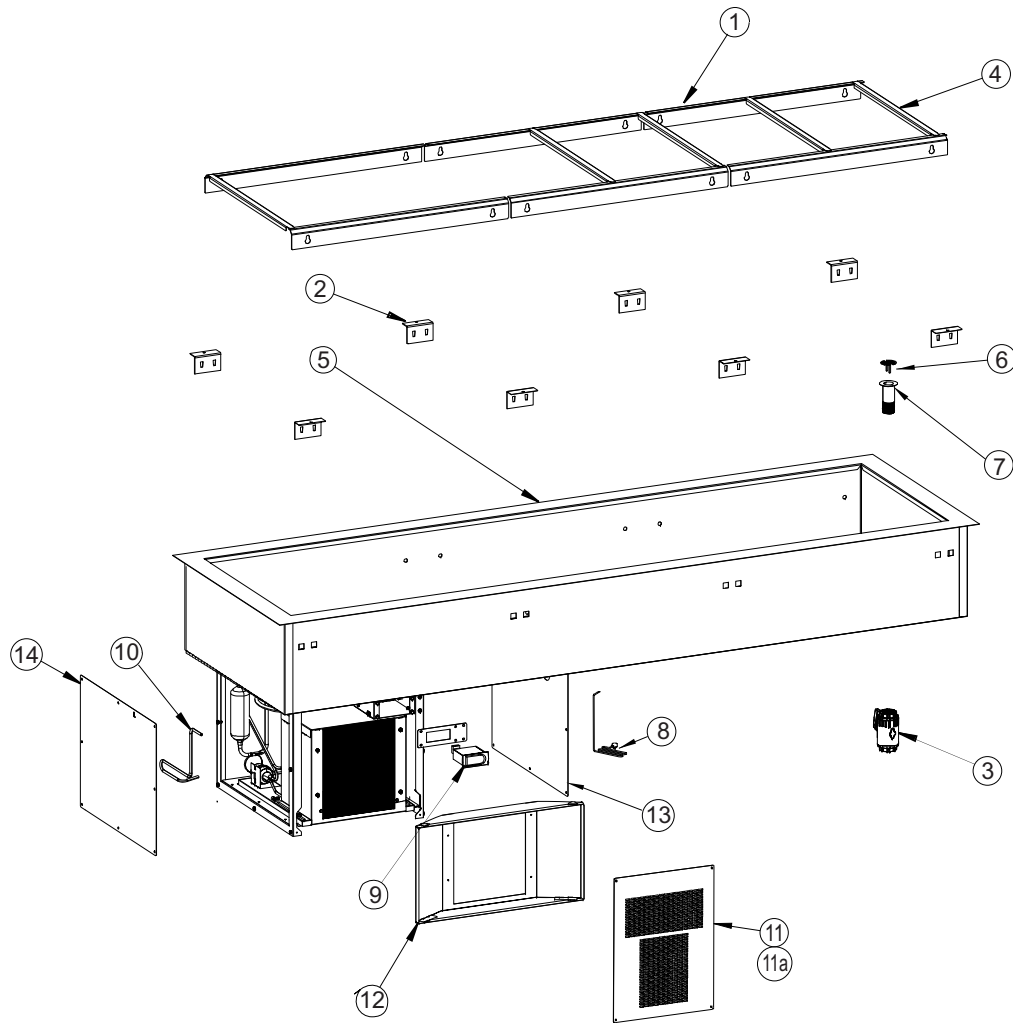
Original manufacturer's replacement parts may be ordered directly from the Alto-Shaam network of Authorized Service Agents and Parts Distributors. Follow this link for a map to a local partner: <https://www.alto-shaam.com/en/how-to-buy>. If you are an Authorized Service Agent or Parts Distributor, please submit your purchase order to parts@alto-shaam.com.

Non-OEM parts may be substituted; however, these parts must be of equal quality and specifications as those provided by Alto-Shaam.

Table of Contents

Manufacturer's Information.....	2
Table of Contents	3
General Service Parts	4
Condensor Service Parts.....	5

General Service Parts

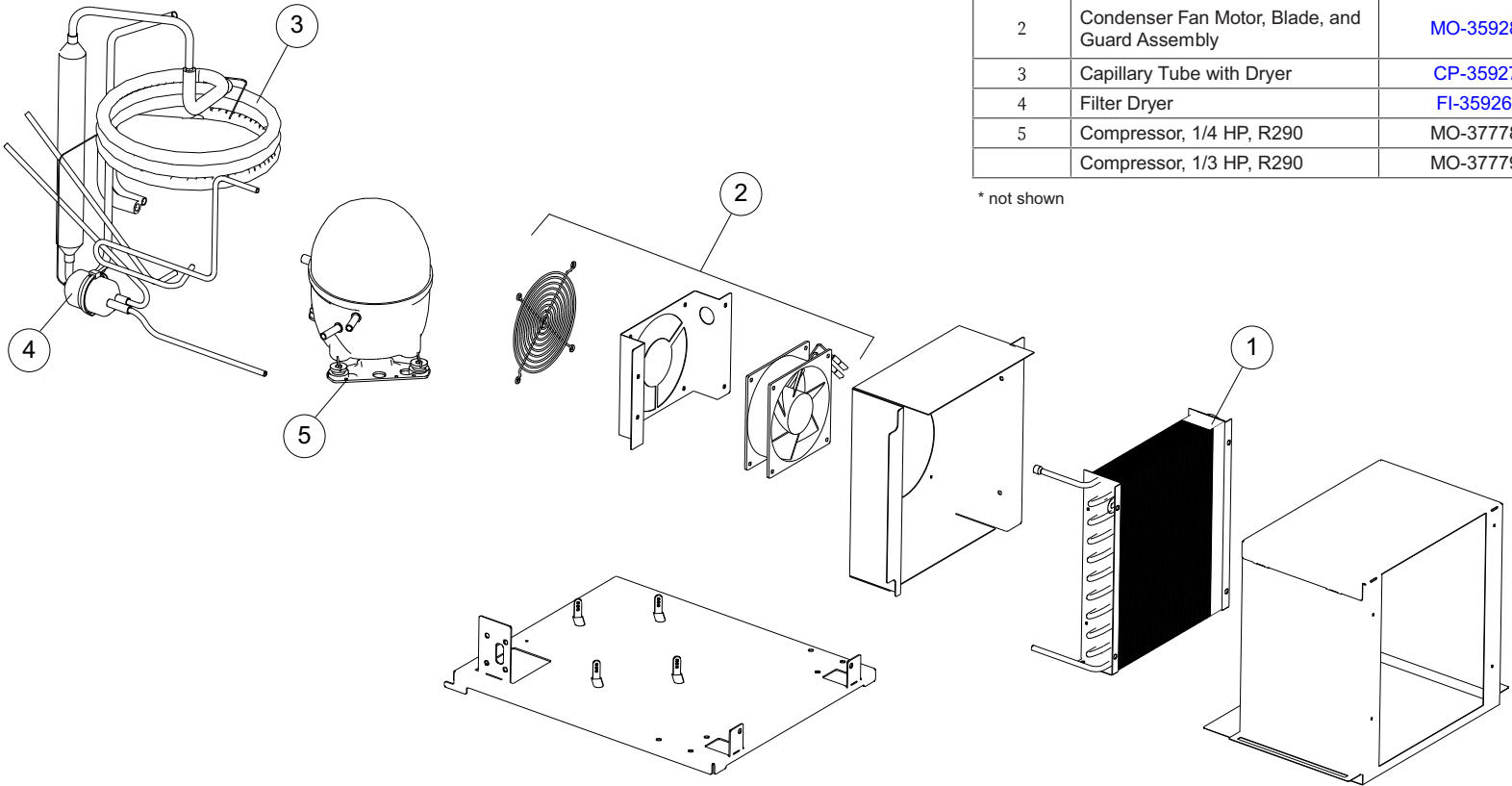


600-CW SHOWN

ITEM	SERVICE PART	DESCRIPTION	CW-100	CW-200	CW-300	CW-400	CW-500	CW-600
1	CL-35911	CLIPS, PAN RAIL, CW-100	X	-	-	-	-	-
	CL-35912	CLIPS, PAN RAIL, CW-200	-	X	-	-	-	-
	CL-35913	CLIPS, PAN RAIL, CW-300	-	-	X	-	-	-
	CL-35914	CLIPS, PAN RAIL, CW-400	-	-	-	X	-	-
	CL-35915	CLIPS, PAN RAIL, CW-500	-	-	-	-	X	-
	CL-35916	CLIPS, PAN RAIL, CW-600	-	-	-	-	-	X
2	CL-35910	CLIPS, HOLD-DOWN	X	X	X	X	X	X
3	PB-37771	BALL VALVE, 1" PVC THREADED	X	X	X	X	X	X
4	PN-35917	ADAPTER BAR, 20.5" X 7/8"	X	X	X	X	X	X
5	PI-35908	PIN, KEY PAN RAIL	X	X	X	X	X	X
6	DA-35918	DRAIN SCREEN	X	X	X	X	X	X
7	VA-25909	GATE VALVE, 1" THREADED	X	X	X	X	X	X
8	CD-35920	POWER CORD, 9' 16/3 W/90°	X	X	X	X	X	X
9	CC-37826	CONTROL, CAREL RP CNT2102 PRE-PROGRAMMED	X	X	X	X	X	X
10	TT-37774	THERMISTOR, QTI, AIR SENSOR, BLACK, 10'	X	X	X	X	X	X
11	PN-37809	LOUVER, FLAT (T28-00010)	X	-	-	-	-	-
11a	PN-37810	LOUVER, FLAT (T28-00045)	-	X	X	X	X	X
12	FN-37811	FUNNEL, CONDENSING UNIT, (T28-0044)	-	X	X	X	X	X
13	PN-37812	SIDE, PANEL, LEFT (T28-0047)	X	X	X	X	X	X
14	PN-37813	SIDE, PANEL, RIGHT (T28-0048)	X	X	X	X	X	X

5900032_1

Condenser Service Parts



Item	Description	Part No.
1	Coil, Condenser, 1/4 HP	RE-35924
2	Condenser Fan Motor, Blade, and Guard Assembly	MO-35928
3	Capillary Tube with Dryer	CP-35927
4	Filter Dryer	FI-35926
5	Compressor, 1/4 HP, R290	MO-37778
	Compressor, 1/3 HP, R290	MO-37779

* not shown

5900031_0



ALTO-SHAAM.

Menomonee Falls, WI U.S.A.

Phone 800-558-8744 | +1-262-251-3800 | alto-shaam.com

ASIA

Shanghai, China
Phone +86-21-6173-0336

AUSTRALIA

Brisbane, Queensland
Phone 800-558-8744

CANADA

Concord, Ontario Canada
Toll Free Phone 866-577-4484
Phone +1-905-660-6781

FRANCE

Aix en Provence, France
Phone +33(0)4-88-78-21-73

GMBH

Bochum, Germany
Phone +49 (0)234 298798-0

ITALY

Padua, Italy
Phone +39 3319273313

INDIA

Pune, India
Phone +91 9657516999

MEXICO

Phone 262-251-3800 Ext. 6506

MIDDLE EAST & AFRICA

Dubai, UAE
Phone +971-4-321-9712

CENTRAL & SOUTH AMERICA

Miami, FL USA
Phone 262-251-3800 Ext. 6506