

Heated Holding

Drawer Warmers

500-1D	500-1DN
500-2D	500-2DN
500-2DI	500-3DN
500-3D	



Manufacturer's Information

Copyright

© Copyright 04/2026 by Alto-Shaam, Inc.
All rights reserved.
This manual or any portion thereof may not be reproduced or used in any manner whatsoever without the express written permission of Alto-Shaam, Inc

Trademarks

All trademarks referenced in this documentation are the property of their respective owners.

Manufacturer

Alto-Shaam, Inc.
P.O. Box 450
W164 N9221 Water Street
Menomonee Falls, WI 53052

Models Covered

500-1D 500-2D 500-2DI 500-3D	500-1DN 500-2DN 500-3DN
---------------------------------------	-------------------------------

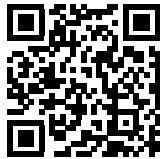
Serial Number

The unit serial number is required for identifying and ordering the correct service parts.
Record the unit serial number below for reference.

Serial Number

Parts Finder Tool

Interactive diagrams from this Parts Manual are available online at our Parts Finder Tool:
<https://www.alto-shaam.com/en/customer-support/parts>.
Or, scan the QR code below.



Parts Ordering Information

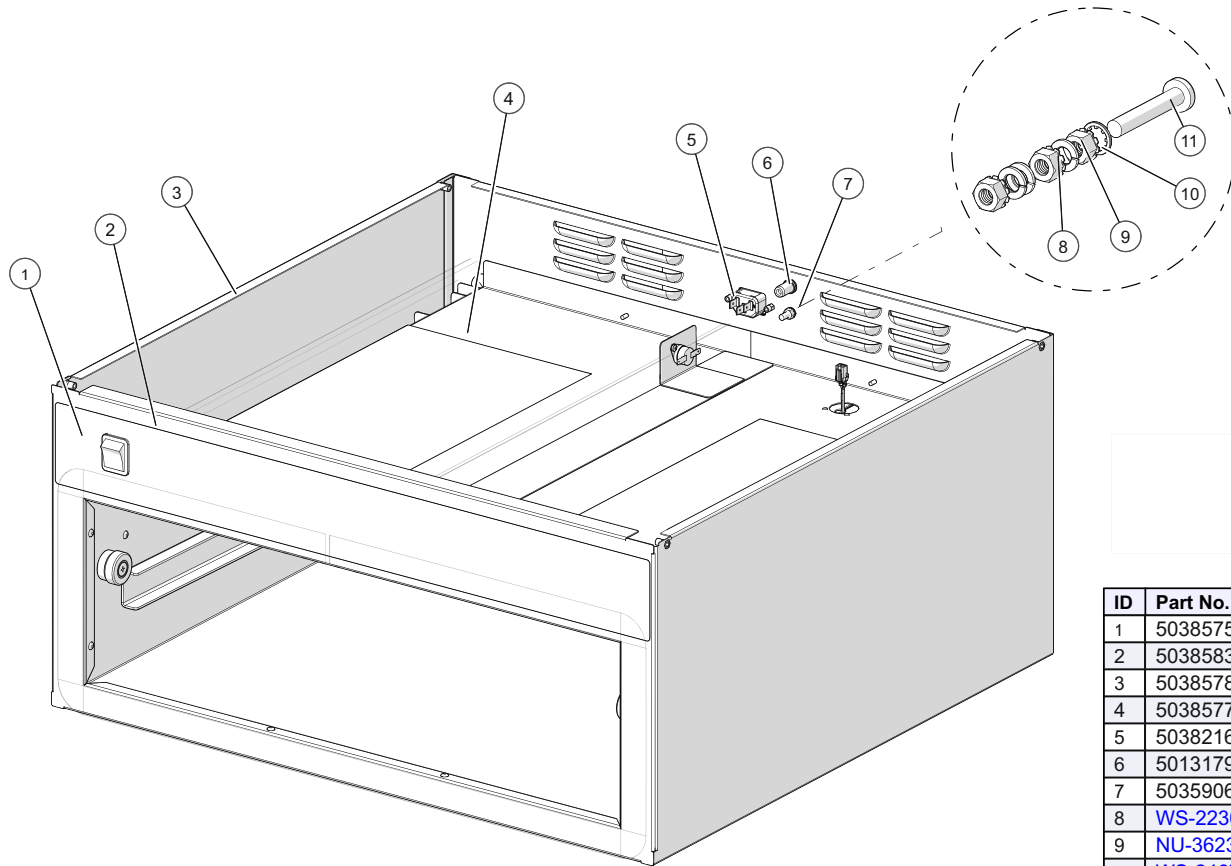
Original manufacturer's replacement parts may be ordered directly from the Alto-Shaam network of Authorized Service Agents and Parts Distributors. Follow this link for a map to a local partner: <https://www.alto-shaam.com/en/how-to-buy>. If you are an Authorized Service Agent or Parts Distributor, please submit your purchase order to parts@alto-shaam.com.

Non-OEM parts may be substituted; however, these parts must be of equal quality and specifications as those provided by Alto-Shaam.

Table of Contents

Manufacturer’s Information	2	Cavity Assembly, Heat Pad, 500-1DN	35
Table of Contents	3	Cavity Assembly, Heat Pad, 500-2DN	36
Core Package, 500-1D.....	4	Cavity Assembly, Heat Pad, 500-3DN	37
Core Package, 500-2D.....	5	Drawer Assembly, Standard with Vents, 500-D Series.....	38
Core Package, 500-2DI	6	Drawer Assembly, Standard with Vents, 500-DN Series.....	39
Core Package, 500-2DI with Casters.....	7	Drawer Frame Assembly, 500-D Series.....	40
Core Package, 500-3D.....	8	Drawer Frame Assembly, 500-DN Series	41
Core Package, 500-1DN.....	9	Trim Kits	42
Core Package, 500-1DN (Specialty).....	10	Control Assembly, Wired, All 500-D and DN Models.....	43
Core Package, 500-2DN.....	11	Control Assembly, Wired, 500-2DI.....	44
Core Package, 500-3DN.....	12	Control Package, 500-1D	45
Panel Package, 500-1D	13	Control Package, 500-2D	46
Panel Package, 500-2D	14	Control Package, 500-2DI	47
Panel Package, 500-2DI.....	15	Control Package, 500-2DI	48
Panel Package, 500-3D	16	Control Package, 500-3D	49
Panel Package, 500-1DN	17	Control Package, 500-1DN.....	50
Panel Package, 500-1DN (Specialty).....	18	Control Package, 500-2DN.....	51
Panel Package, 500-2DN	19	Control Package, 500-3DN.....	52
Panel Package, 500-3DN	20	Receptacle Assembly, C14	53
Cover Assembly, Top (All 500-D and DI models)	21	Receptacle Assembly, C14 Seal	54
Cover Assembly, Top (All 500-DN models).....	22	Cord Assemblies	55
Cavity Package, 500-1D	23	Foot Package	56
Cavity Package, 500-2D	24	Caster Stand, 500-D, 3 inch	57
Cavity Package, 500-2DI.....	25	Caster Stand, 500-DN, 3 inch.....	58
Cavity Package, 500-3D	26	Caster Stand, 500-D, 5 inch	59
Cavity Package, 500-1DN	27	Caster Stand, 500-DN, 5 inch.....	60
Cavity Package, 500-2DN	28	Leg Stand, 500-D.....	61
Cavity Package, 500-3DN	29	Leg Stand, 500-DN.....	62
Cavity Assembly, Heat Pad, 500-1D	30	Caster Support Package, 500-2DI.....	63
Cavity Assembly, Heat Pad, 500-2D	31		
Cavity Assembly, Heat Pad, 500-2D	32		
Cavity Assembly, Heat Pad, 500-2DI.....	33		
Cavity Assembly, Heat Pad, 500-3D	34		

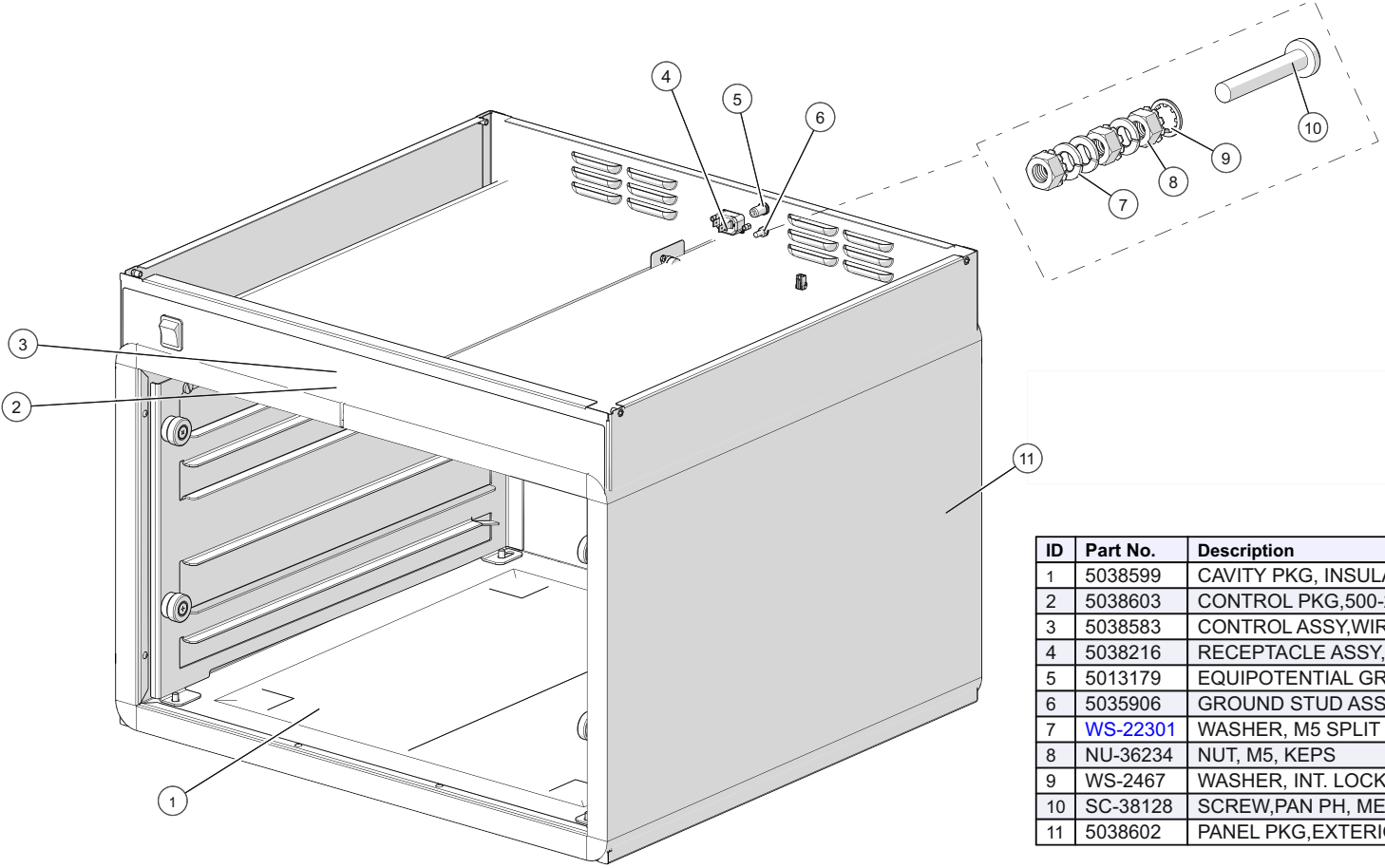
Core Package, 500-1D



ID	Part No.	Description	Qty
1	5038575	CONTROL PKG,500-1D	1
2	5038583	CONTROL ASSY,WIRED	1
3	5038578	PANEL PKG,EXTERIOR,500-1D	1
4	5038577	CAVITY PKG,INSULATED,500-1D	1
5	5038216	RECEPTACLE ASSY,C14	1
6	5013179	EQUIPOTENTIAL GROUND STUD	1
7	5035906	GROUND STUD ASSY	2
8	WS-22301	WASHER, M5 SPLIT LOCK	3
9	NU-36234	NUT, M5, KEPS	3
10	WS-2467	WASHER, INT. LOCK	1
11	SC-38128	SCREW,PAN PH, METRIC, M5	1

5038574_0

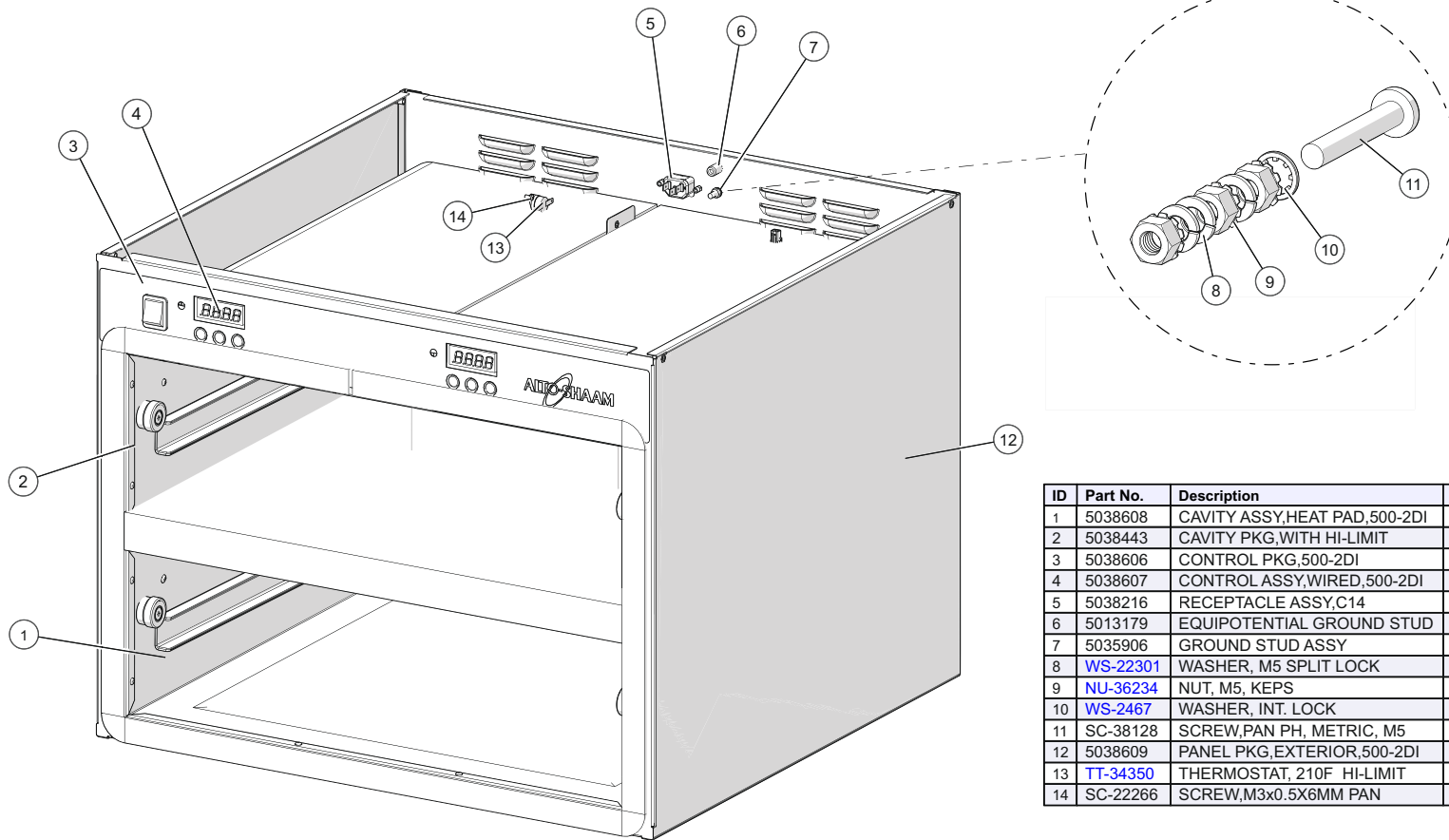
Core Package, 500-2D



ID	Part No.	Description	Qty
1	5038599	CAVITY PKG, INSULATED, 500-2D	1
2	5038603	CONTROL PKG,500-2D	1
3	5038583	CONTROL ASSY,WIRED	1
4	5038216	RECEPTACLE ASSY,C14	1
5	5013179	EQUIPOTENTIAL GROUND STUD	1
6	5035906	GROUND STUD ASSY	2
7	WS-22301	WASHER, M5 SPLIT LOCK	3
8	NU-36234	NUT, M5, KEPS	3
9	WS-2467	WASHER, INT. LOCK	1
10	SC-38128	SCREW,PAN PH, METRIC, M5	1
11	5038602	PANEL PKG,EXTERIOR,500-2D	1

5038598_0

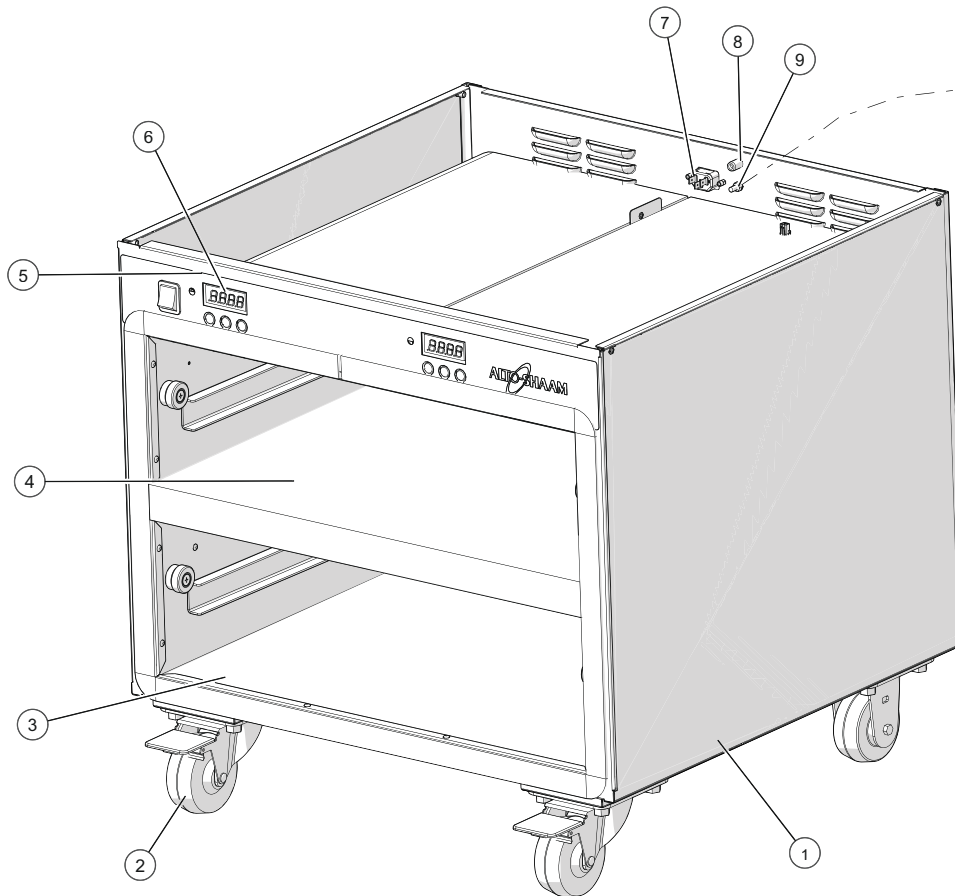
Core Package, 500-2DI



ID	Part No.	Description	Qty
1	5038608	CAVITY ASSY,HEAT PAD,500-2DI	1
2	5038443	CAVITY PKG,WITH HI-LIMIT	1
3	5038606	CONTROL PKG,500-2DI	1
4	5038607	CONTROL ASSY,WIRED,500-2DI	1
5	5038216	RECEPTACLE ASSY,C14	1
6	5013179	EQUIPOTENTIAL GROUND STUD	1
7	5035906	GROUND STUD ASSY	1
8	WS-22301	WASHER, M5 SPLIT LOCK	3
9	NU-36234	NUT, M5, KEPS	3
10	WS-2467	WASHER, INT. LOCK	1
11	SC-38128	SCREW,PAN PH, METRIC, M5	1
12	5038609	PANEL PKG,EXTERIOR,500-2DI	1
13	TT-34350	THERMOSTAT, 210F HI-LIMIT	1
14	SC-22266	SCREW,M3x0.5X6MM PAN	2

5038605_2

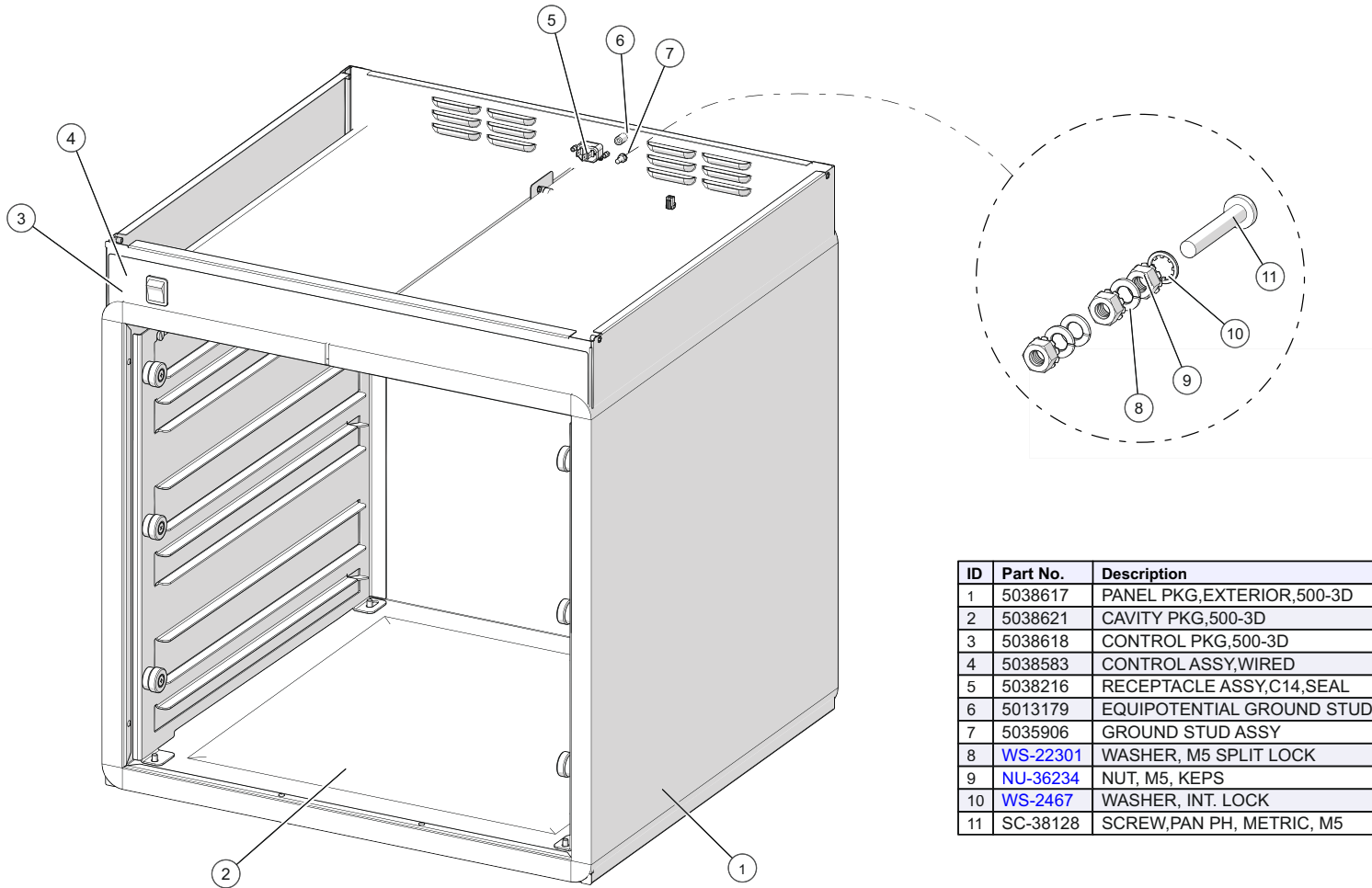
Core Package, 500-2DI with Casters



ID	Part No.	Description	Qty
1	5038609	PANEL PKG,EXTERIOR,500-2DI	1
2	5026152	KIT, CASTER SUPPORT, 500-DI	1
3	5038608	CAVITY ASSY,HEAT PAD,500-2DI	1
4	5038443	CAVITY PKG,WITH HI-LIMIT	1
5	5038606	CONTROL PKG,500-2DI	1
6	5038607	CONTROL ASSY,WIRED,500-2DI	1
7	5038216	RECEPTACLE ASSY,C14	1
8	5013179	EQUIPOTENTIAL GROUND STUD	1
9	5035906	GROUND STUD ASSY	2
10	WS-22301	WASHER, M5 SPLIT LOCK	3
11	NU-36234	NUT, M5, KEPS	3
12	WS-2467	WASHER, INT. LOCK	1
13	SC-38128	SCREW,PAN PH, METRIC, M5	1

5038616_0

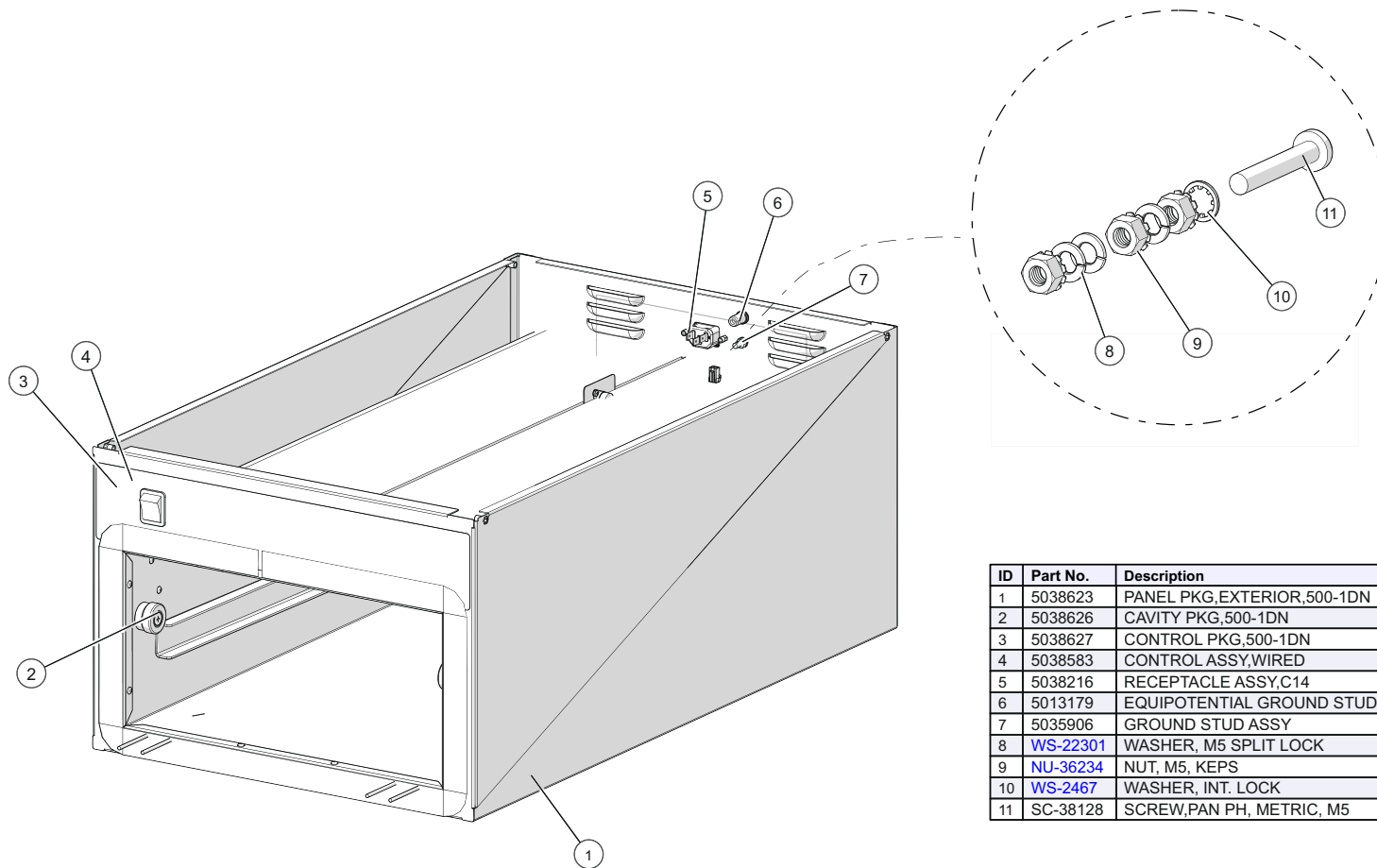
Core Package, 500-3D



ID	Part No.	Description	Qty
1	5038617	PANEL PKG, EXTERIOR, 500-3D	1
2	5038621	CAVITY PKG, 500-3D	1
3	5038618	CONTROL PKG, 500-3D	1
4	5038583	CONTROL ASSY, WIRED	1
5	5038216	RECEPTACLE ASSY, C14, SEAL	1
6	5013179	EQUIPOTENTIAL GROUND STUD	1
7	5035906	GROUND STUD ASSY	1
8	WS-22301	WASHER, M5 SPLIT LOCK	3
9	NU-36234	NUT, M5, KEPS	3
10	WS-2467	WASHER, INT. LOCK	1
11	SC-38128	SCREW, PAN PH, METRIC, M5	1

5038622_0

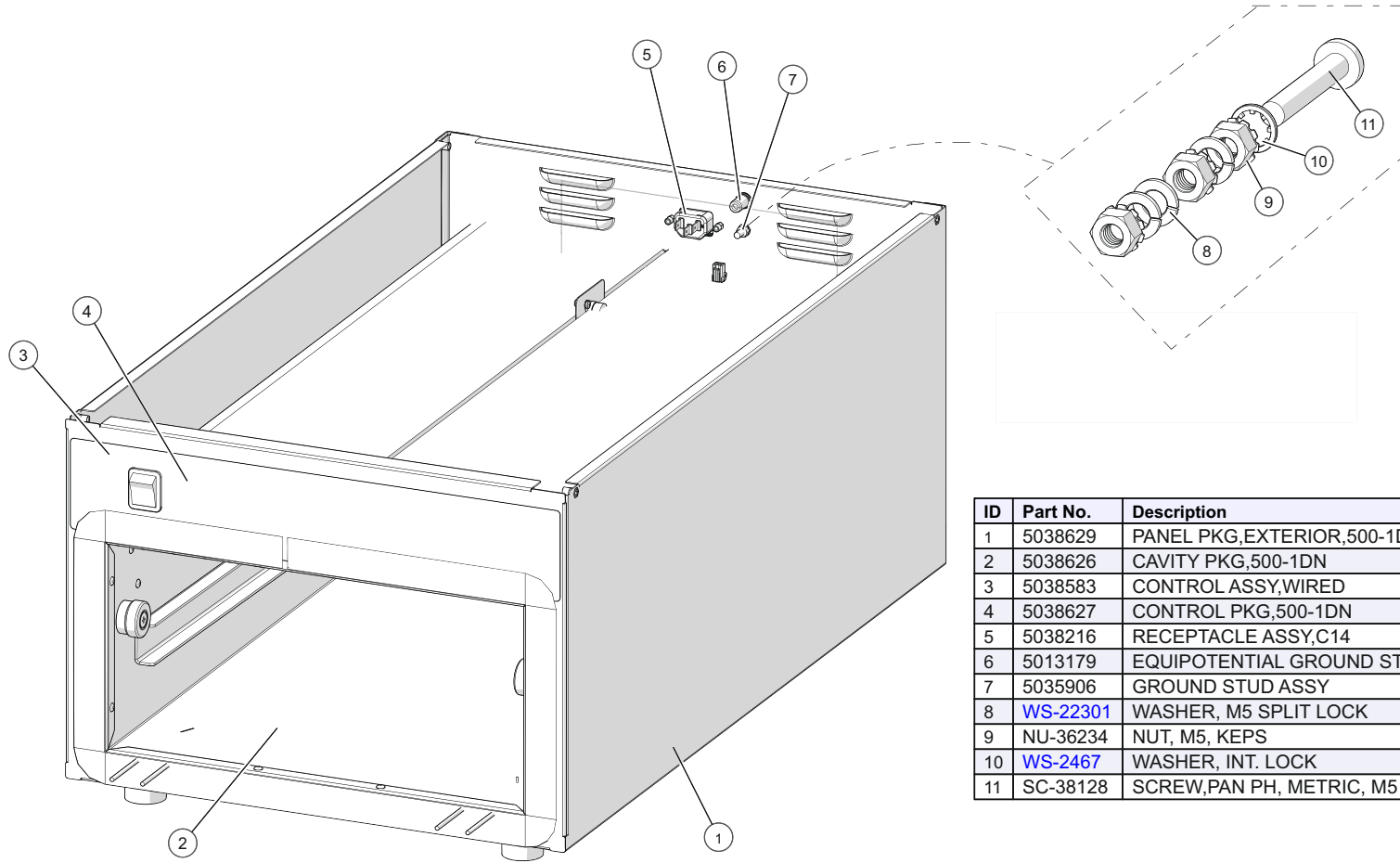
Core Package, 500-1DN



ID	Part No.	Description	Qty
1	5038623	PANEL PKG,EXTERIOR,500-1DN	1
2	5038626	CAVITY PKG,500-1DN	1
3	5038627	CONTROL PKG,500-1DN	1
4	5038583	CONTROL ASSY,WIRED	1
5	5038216	RECEPTACLE ASSY,C14	1
6	5013179	EQUIPOTENTIAL GROUND STUD	1
7	5035906	GROUND STUD ASSY	1
8	WS-22301	WASHER, M5 SPLIT LOCK	3
9	NU-36234	NUT, M5, KEPS	3
10	WS-2467	WASHER, INT. LOCK	1
11	SC-38128	SCREW,PAN PH, METRIC, M5	1

5038628_0

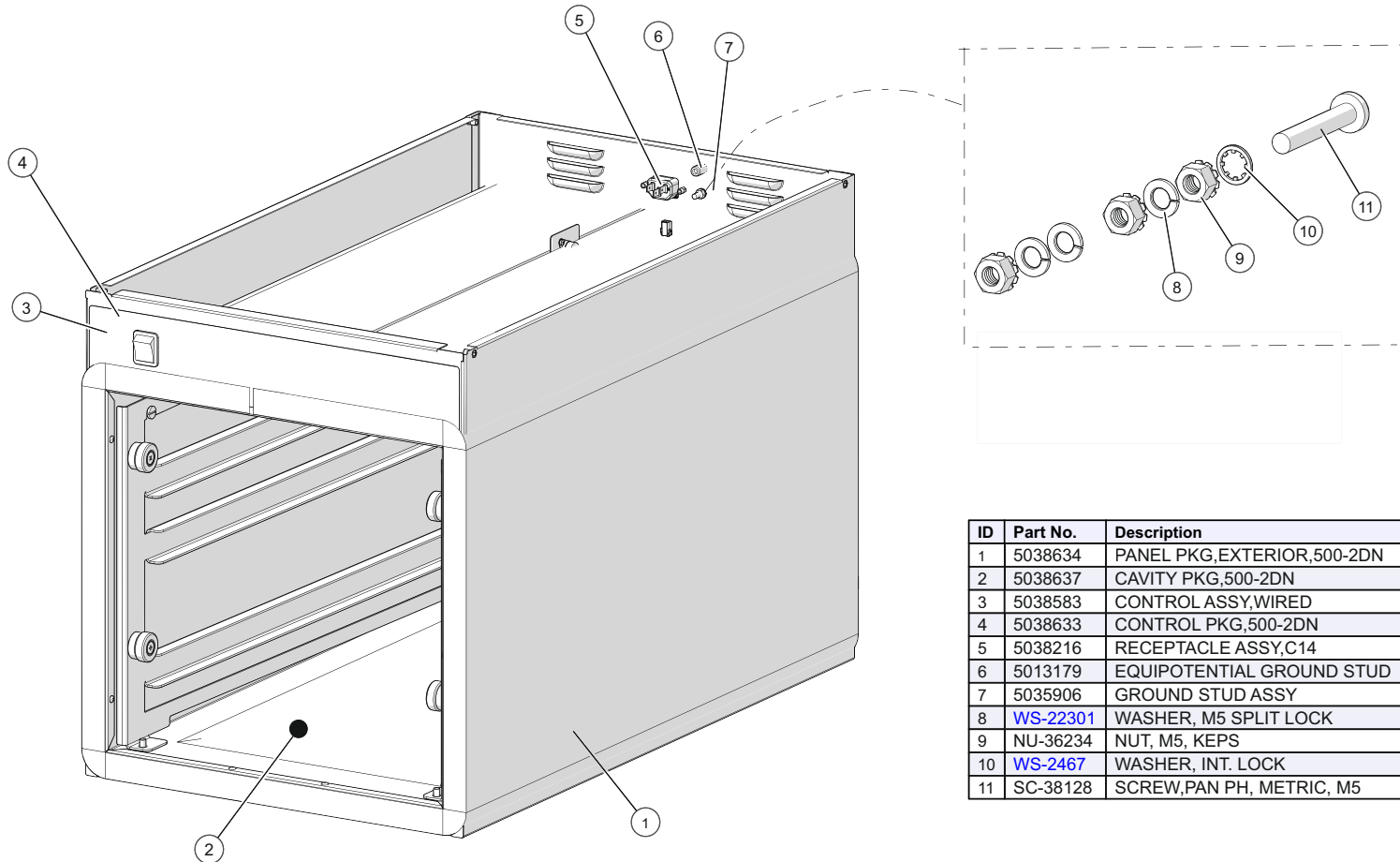
Core Package, 500-1DN (Specialty)



ID	Part No.	Description	Qty
1	5038629	PANEL PKG, EXTERIOR, 500-1DN	1
2	5038626	CAVITY PKG, 500-1DN	1
3	5038583	CONTROL ASSY, WIRED	1
4	5038627	CONTROL PKG, 500-1DN	1
5	5038216	RECEPTACLE ASSY, C14	1
6	5013179	EQUIPOTENTIAL GROUND STUD	1
7	5035906	GROUND STUD ASSY	1
8	WS-22301	WASHER, M5 SPLIT LOCK	3
9	NU-36234	NUT, M5, KEPS	3
10	WS-2467	WASHER, INT. LOCK	1
11	SC-38128	SCREW, PAN PH, METRIC, M5	1

5038632_0

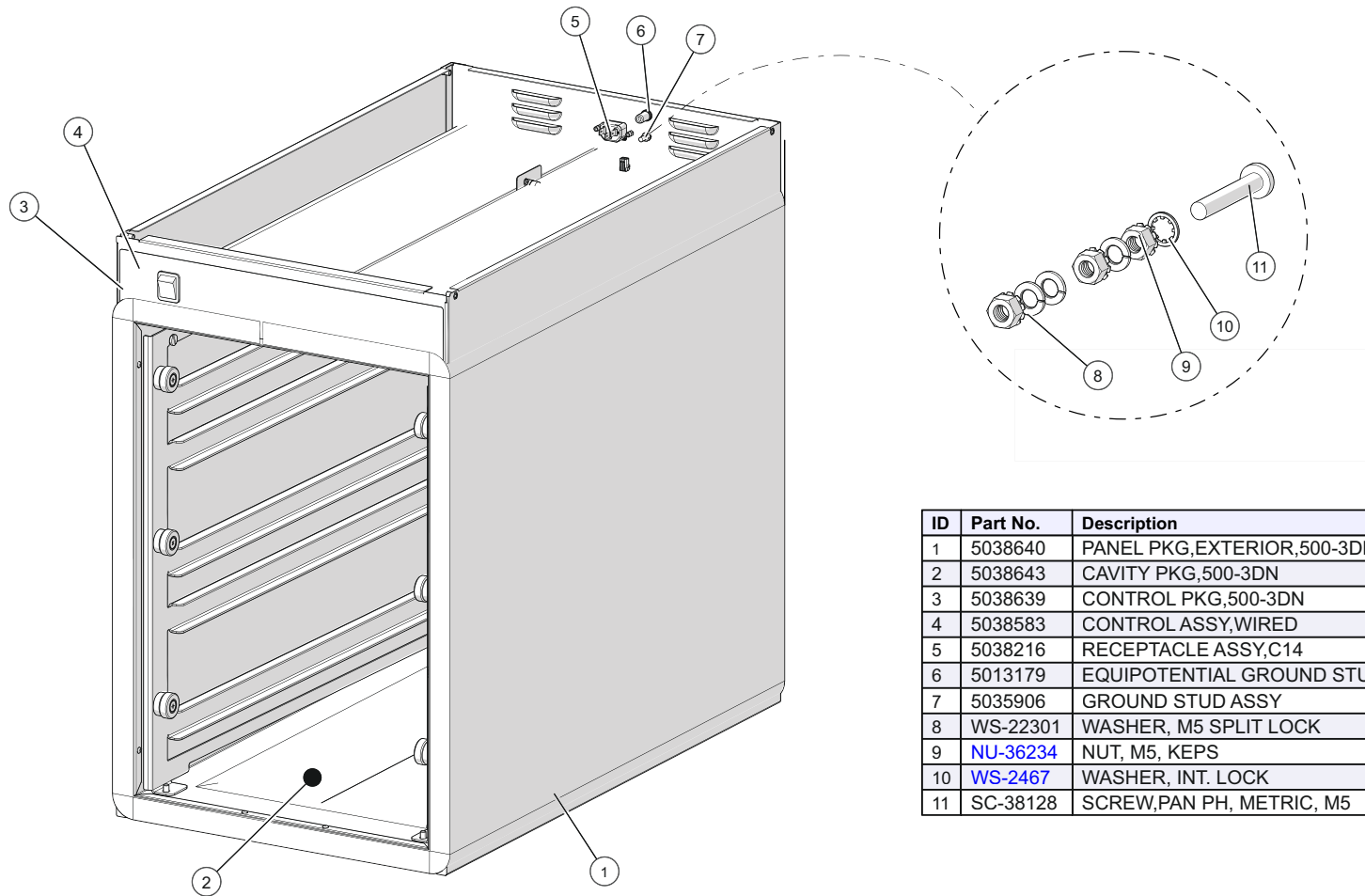
Core Package, 500-2DN



ID	Part No.	Description	Qty
1	5038634	PANEL PKG,EXTERIOR,500-2DN	1
2	5038637	CAVITY PKG,500-2DN	1
3	5038583	CONTROL ASSY,WIRED	1
4	5038633	CONTROL PKG,500-2DN	1
5	5038216	RECEPTACLE ASSY,C14	1
6	5013179	EQUIPOTENTIAL GROUND STUD	1
7	5035906	GROUND STUD ASSY	1
8	WS-22301	WASHER, M5 SPLIT LOCK	3
9	NU-36234	NUT, M5, KEPS	3
10	WS-2467	WASHER, INT. LOCK	1
11	SC-38128	SCREW,PAN PH, METRIC, M5	1

5038638_0

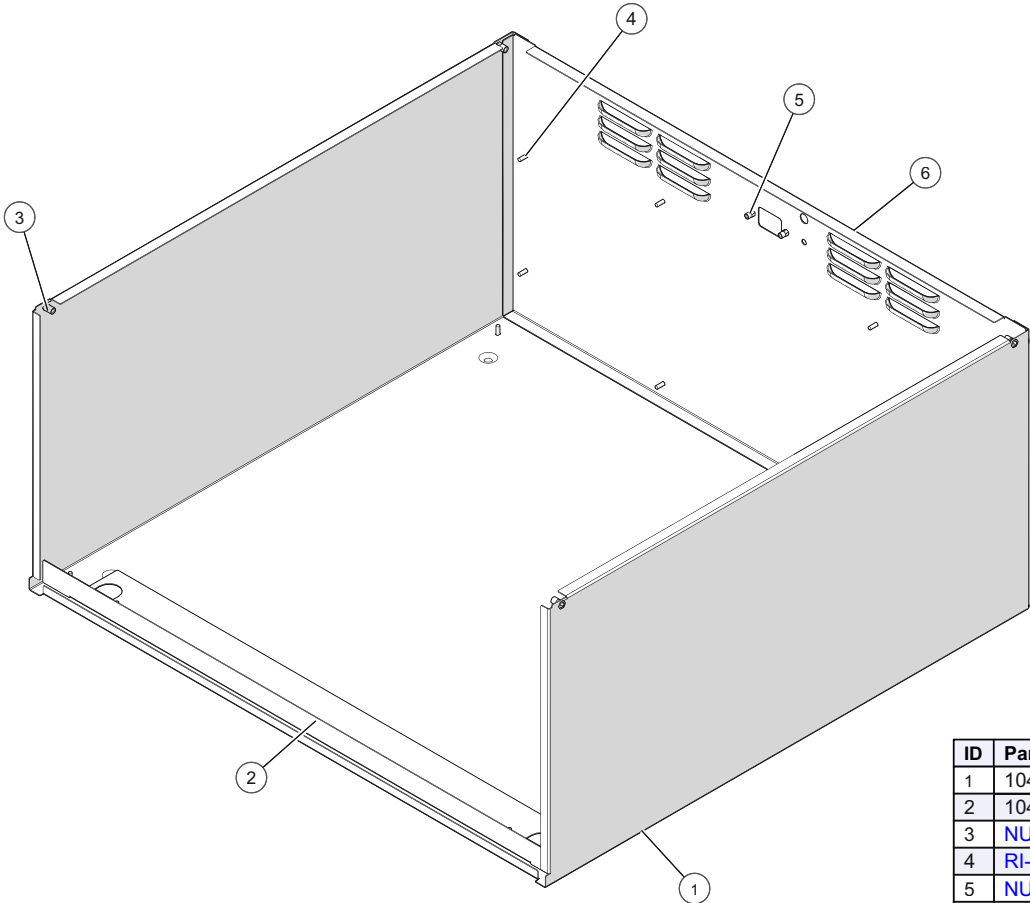
Core Package, 500-3DN



ID	Part No.	Description	Qty
1	5038640	PANEL PKG, EXTERIOR, 500-3DN	1
2	5038643	CAVITY PKG, 500-3DN	1
3	5038639	CONTROL PKG, 500-3DN	1
4	5038583	CONTROL ASSY, WIRED	1
5	5038216	RECEPTACLE ASSY, C14	1
6	5013179	EQUIPOTENTIAL GROUND STUD	1
7	5035906	GROUND STUD ASSY	1
8	WS-22301	WASHER, M5 SPLIT LOCK	3
9	NU-36234	NUT, M5, KEPS	3
10	WS-2467	WASHER, INT. LOCK	1
11	SC-38128	SCREW, PAN PH, METRIC, M5	1

5038644_0

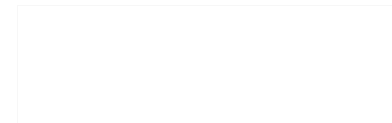
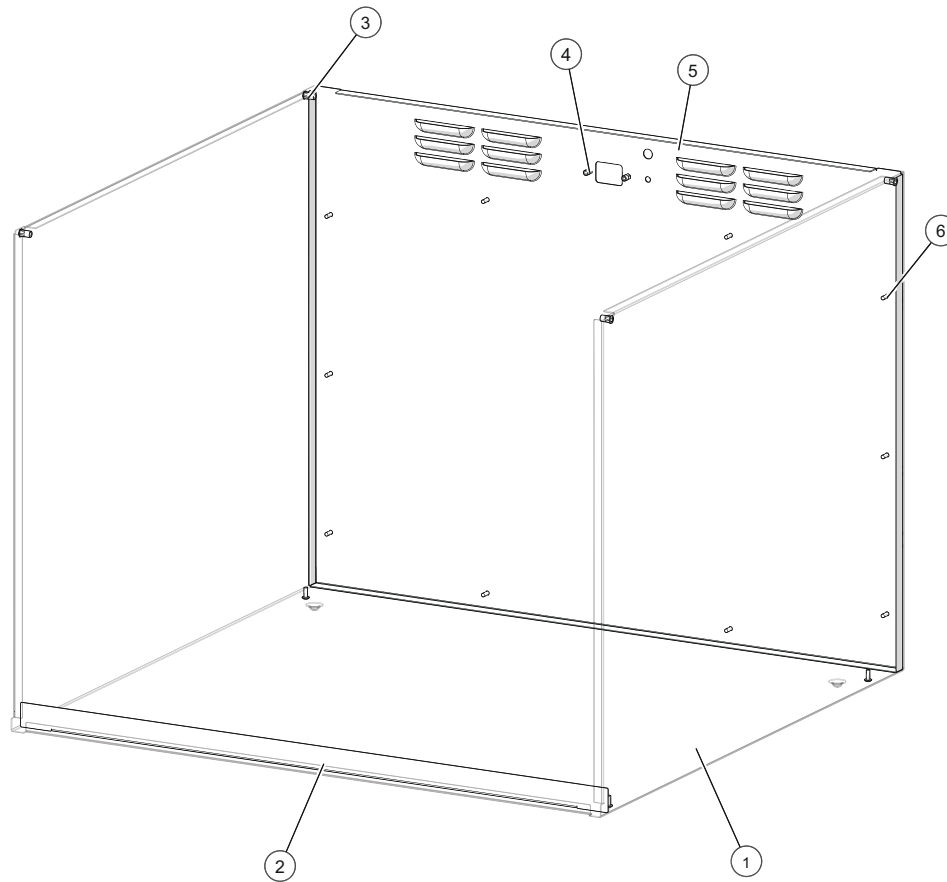
Panel Package, 500-1D



ID	Part No.	Description	Qty
1	1043938	PANEL,CASING,OUTER,500-1D	1
2	1043937	CHANNEL,500-D	1
3	NU-26866	NUT, HEX INSERT M4	4
4	RI-38125	RIVET,SEALED,.125"	14
5	NU-46432	NUT, HEX INSERT M3	2
6	1043120	PANEL,REAR,500-1D	1

5038578_0

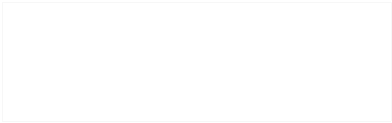
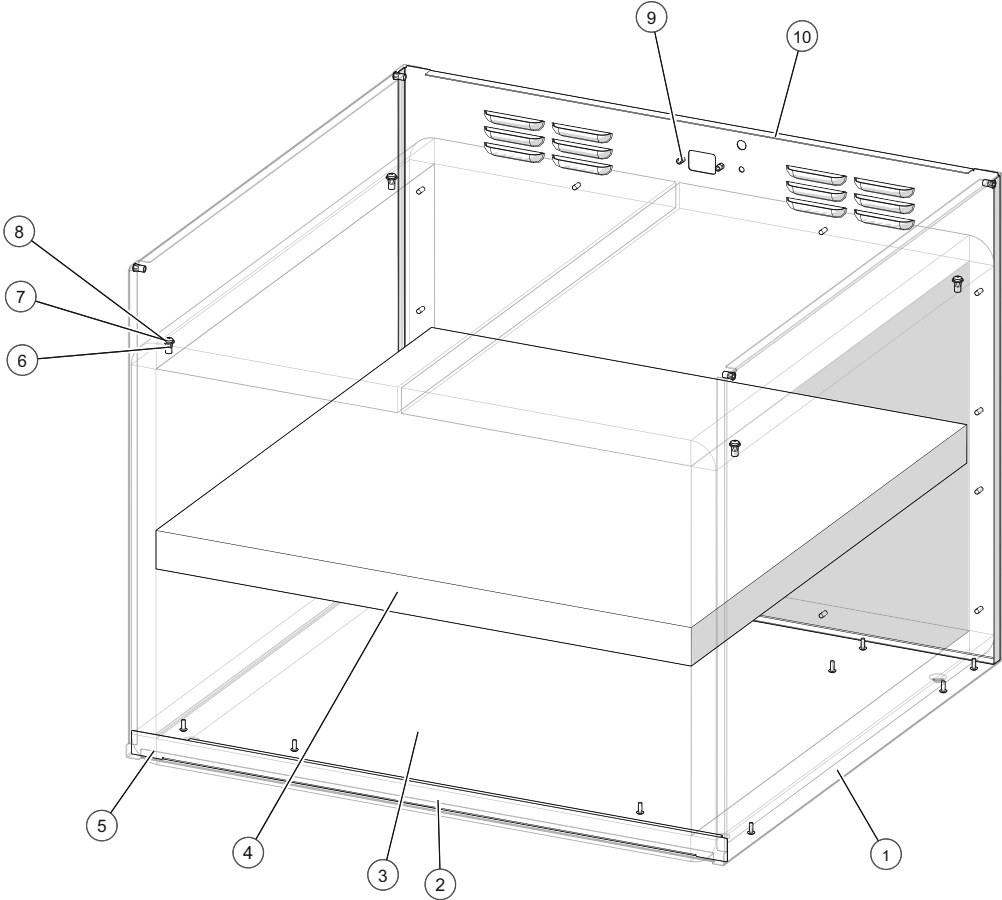
Panel Package, 500-2D



ID	Part No.	Description	Qty
5	1043118	PANEL,REAR,500-2D	1
2	1043937	CHANNEL,500-D	1
1	1043966	PANEL,CASING,OUTER,500-2D	1
3	NU-26866	NUT, HEX INSERT M4	4
4	NU-46432	NUT, HEX INSERT M3	2
6	RI-38125	RIVET,SEALED,.125"	16

5038602_0

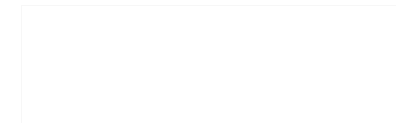
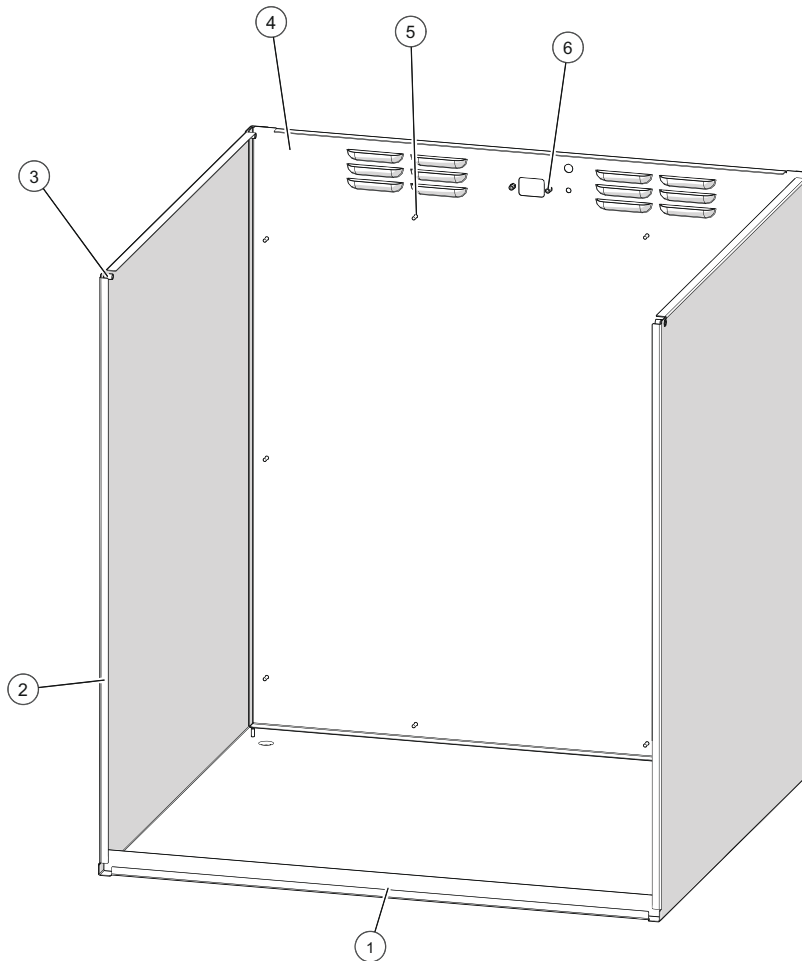
Panel Package, 500-2DI



ID	Part No.	Description	Qty
1	1043979	PANEL,CASING,OUTER,500-2DI	1
2	1033406	GUTTER	1
3	1043753	INSULATION,CAVITY,500-2DI	1
4	1043754	INSULATION,CAVITY,MID,500-2DI	1
5	RI-38125	RIVET,SEALED, .125"	18
6	NU-26866	NUT, HEX INSERT M4	8
7	SC-22273	SCREW,M4x0.7X10MM PAN	20
8	WS-22295	WASHER, FLAT M5 S/S	4
9	NU-46432	NUT, HEX INSERT M3	2
10	1043691	PANEL,REAR,500-2DI	1

5038609_0

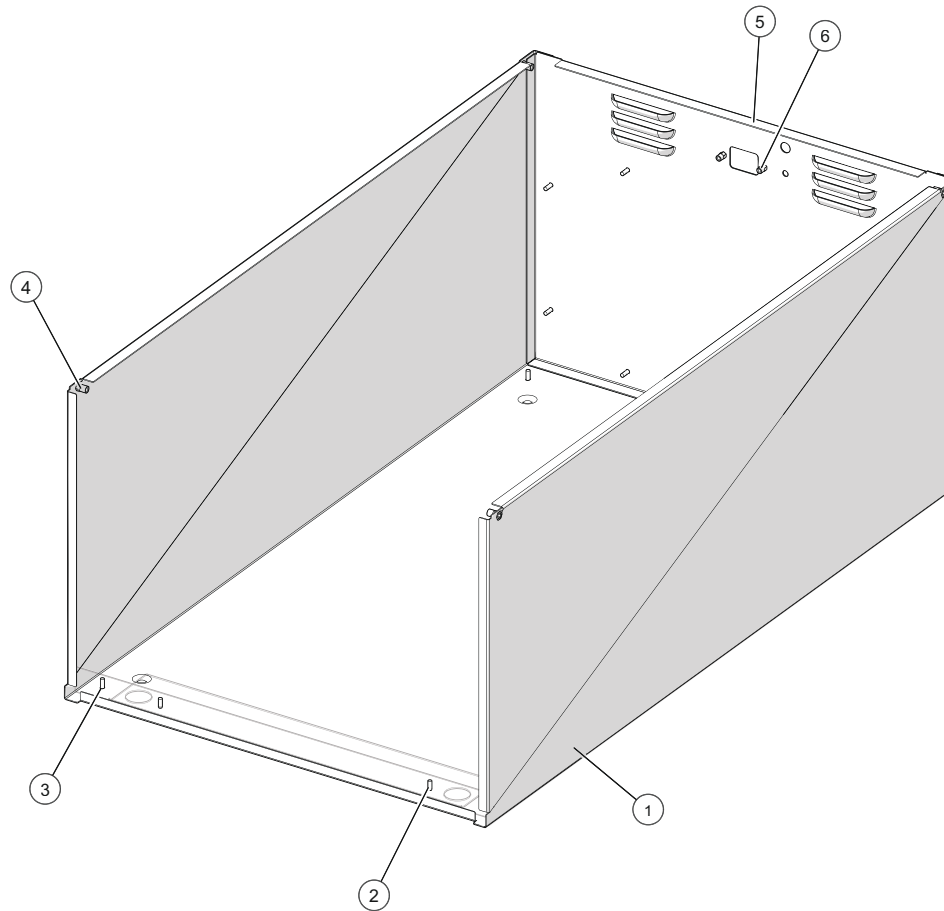
Panel Package, 500-3D



ID	Part No.	Description	Qty
1	1033406	GUTTER	1
2	1043988	PANEL,CASING,OUTER,500-3D	1
3	NU-26866	NUT, HEX INSERT M4	4
4	1043121	PANEL,REAR,500-3D	1
5	RI-38125	RIVET,SEALED,.125"	16
6	NU-46432	NUT, HEX INSERT M3	2

5038617_0

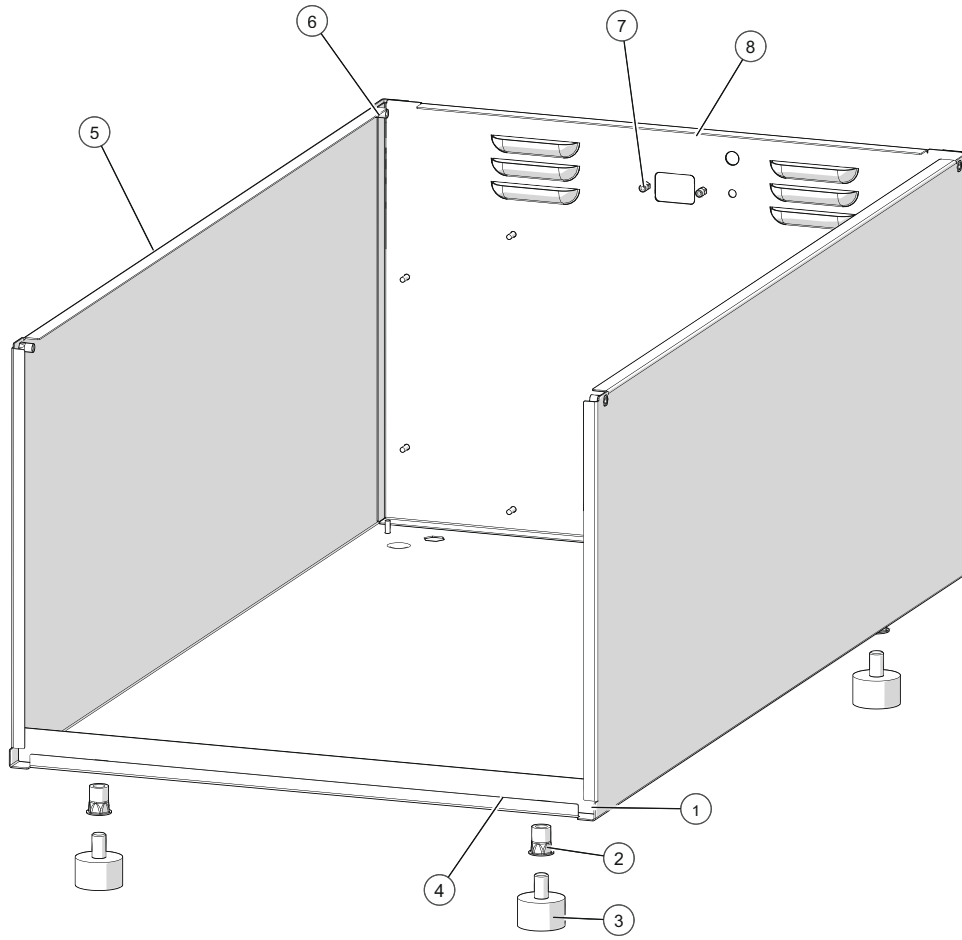
Panel Package, 500-1DN



ID	Part No.	Description	Qty
1	1043989	PANEL,CASING,OUTER,500-1DN	1
2	1033491	GUTTER	1
3	RI-38125	RIVET,SEALED,.125"	14
4	NU-26866	NUT, HEX INSERT M4	4
5	1043692	PANEL,REAR,500-1DN	1
6	NU-46432	NUT, HEX INSERT M3	2

5038623_0

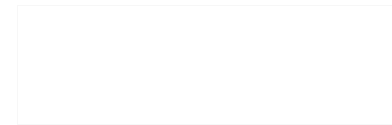
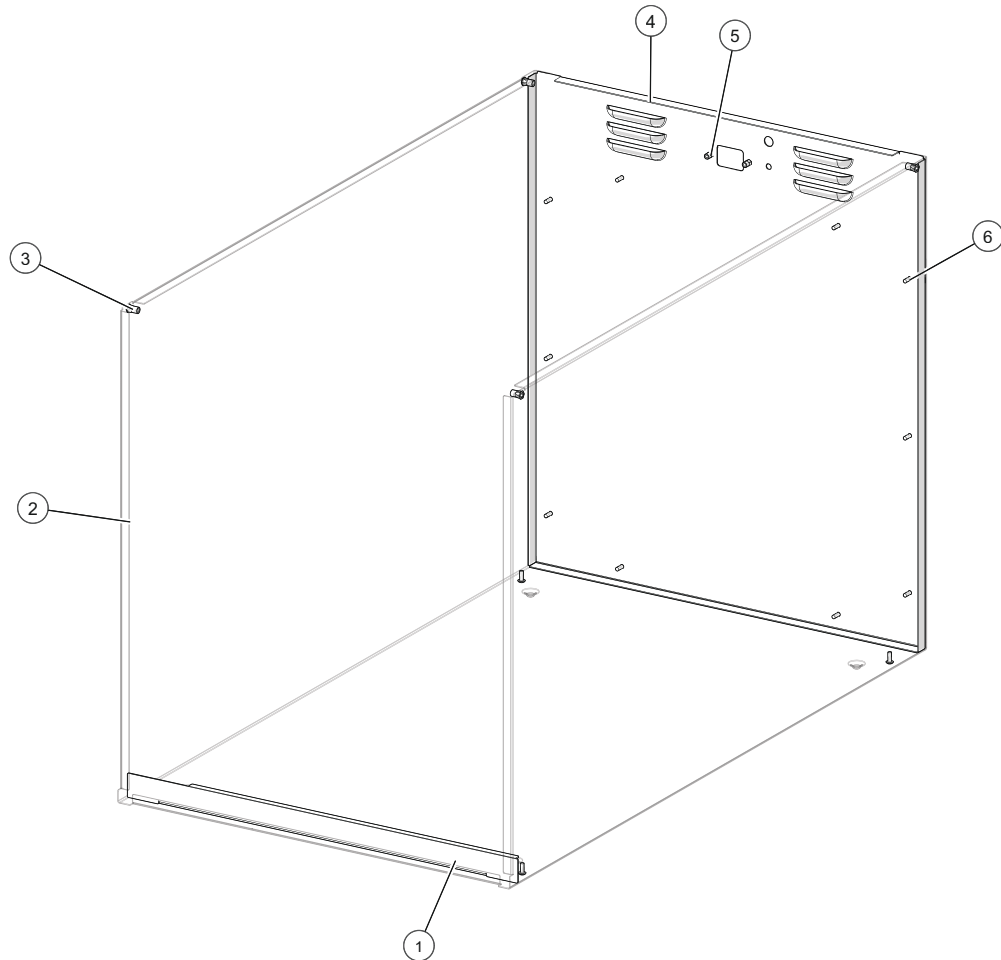
Panel Package, 500-1DN (Specialty)



ID	Part No.	Description	Qty
1	RI-38125	RIVET,SEALED,.125"	14
2	NU-36369	NUT, 3/8-16 HEX INSERT	4
3	FE-29203	FEET, 3/4" HEIGHT, 3/8-16 X 5/6 THREAD	4
4	1033491	GUTTER	1
5	1043991	PANEL,CASING,OUTER,500-1DN	1
6	NU-26866	NUT, HEX INSERT M4	4
7	NU-46432	NUT, HEX INSERT M3	2
8	1043692	PANEL,REAR,500-1DN	1

5038629_0

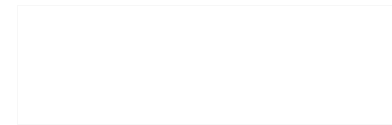
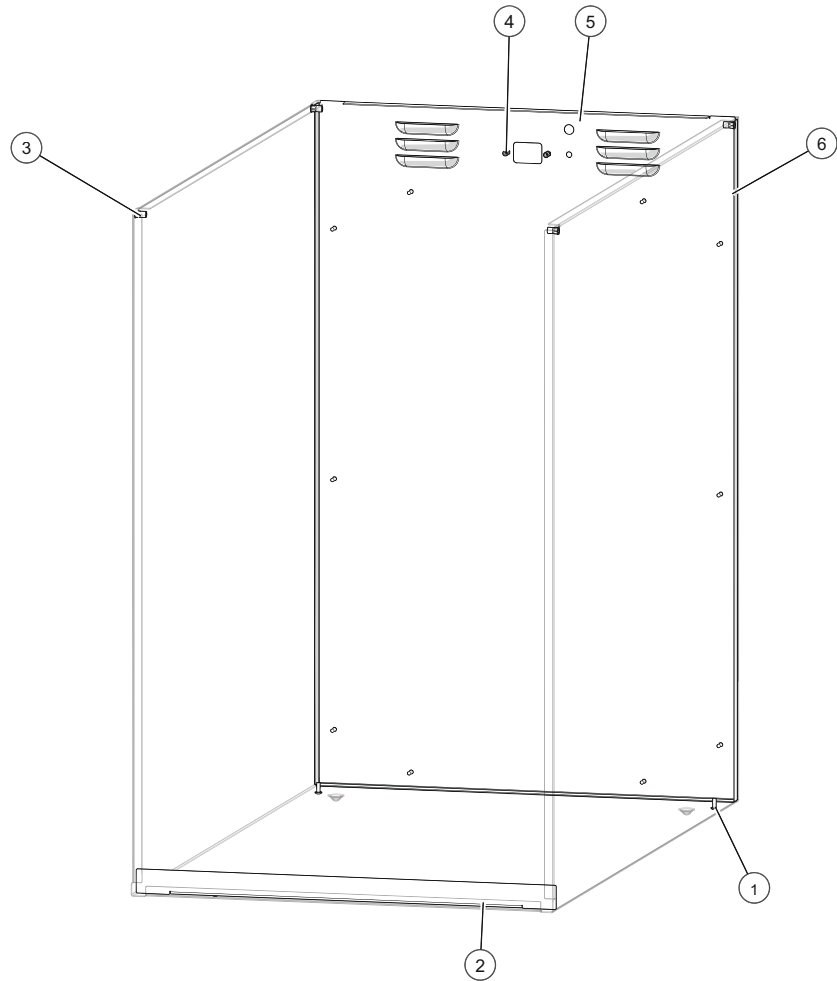
Panel Package, 500-2DN



ID	Part No.	Description	Qty
1	1033491	GUTTER	1
2	1043995	PANEL,CASING,OUTER,500-2DN	1
3	NU-26866	NUT, HEX INSERT M4	4
4	1043694	PANEL,REAR,500-2DN	1
5	NU-46432	NUT, HEX INSERT M3	2
6	RI-38125	RIVET,SEALED,.125"	16

5038634_0

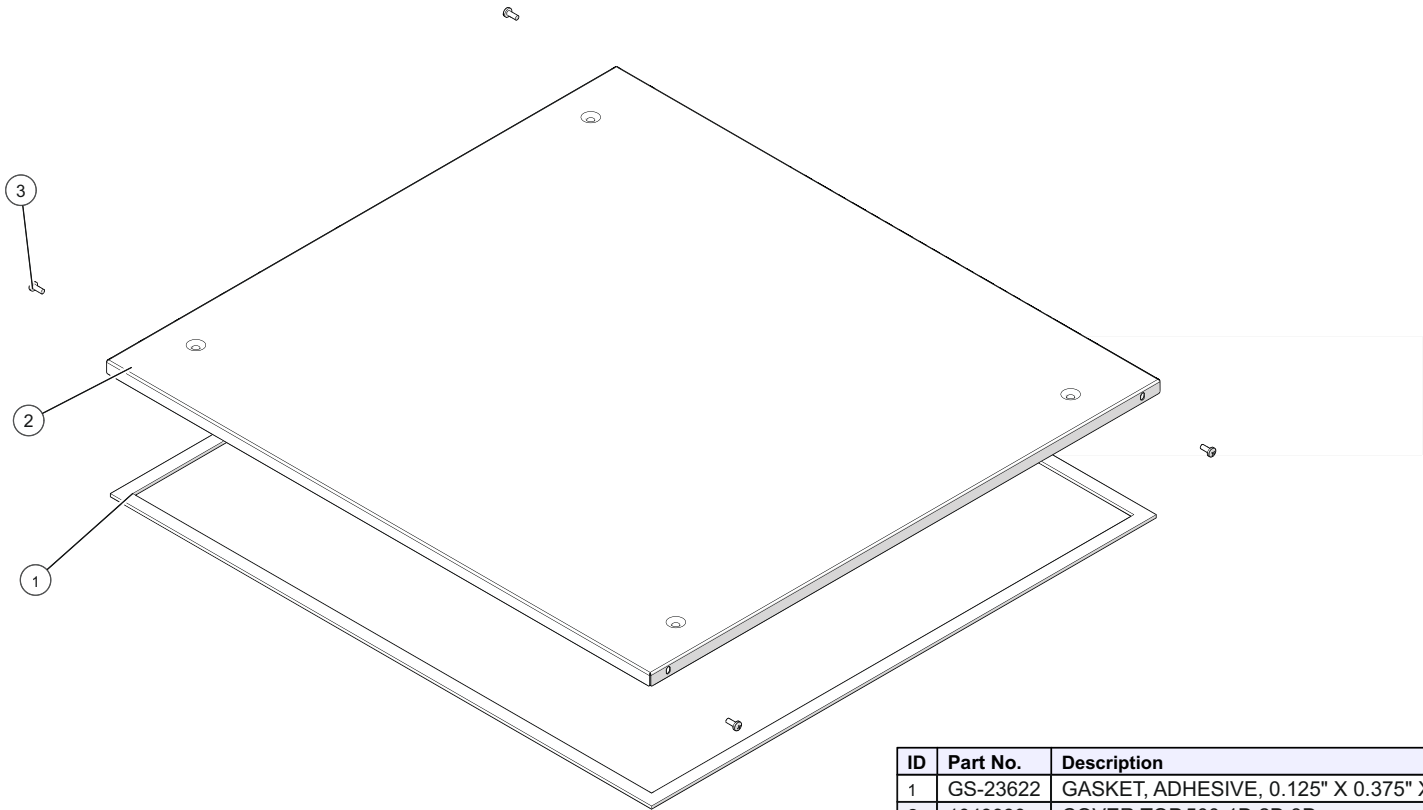
Panel Package, 500-3DN



ID	Part No.	Description	Qty
1	RI-38125	RIVET,SEALED,.125"	16
2	1033491	GUTTER	1
3	NU-26866	NUT, HEX INSERT M4	4
4	NU-46432	NUT, HEX INSERT M3	2
5	1043695	PANEL,REAR,500-3DN	1
6	1043996	PANEL,CASING,OUTER,500-3DN	1

5038640_0

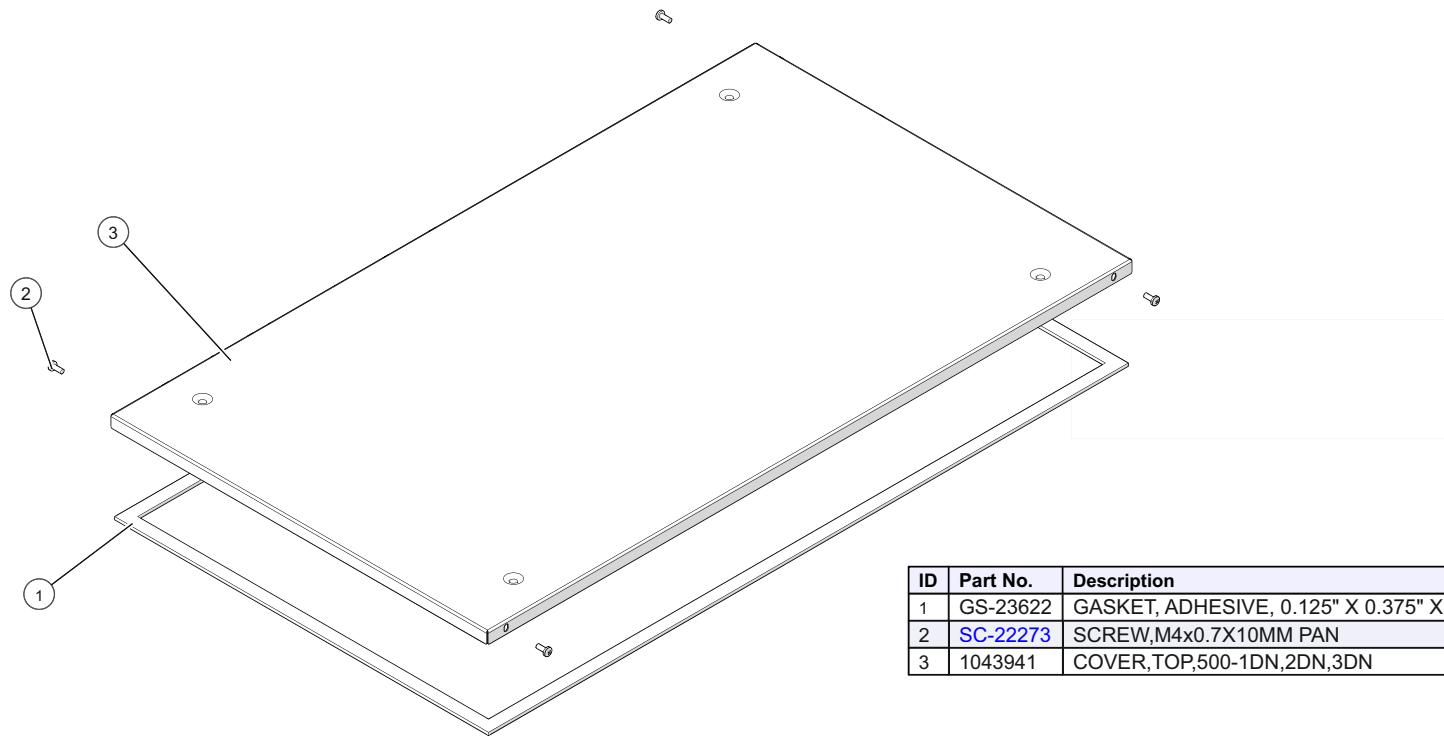
Cover Assembly, Top (All 500-D and DI models)



ID	Part No.	Description	Qty
1	GS-23622	GASKET, ADHESIVE, 0.125" X 0.375" X 94"	1
2	1043939	COVER, TOP, 500-1D, 2D, 3D	1
3	SC-22273	SCREW, M4x0.7X10MM PAN	4

5038580_0

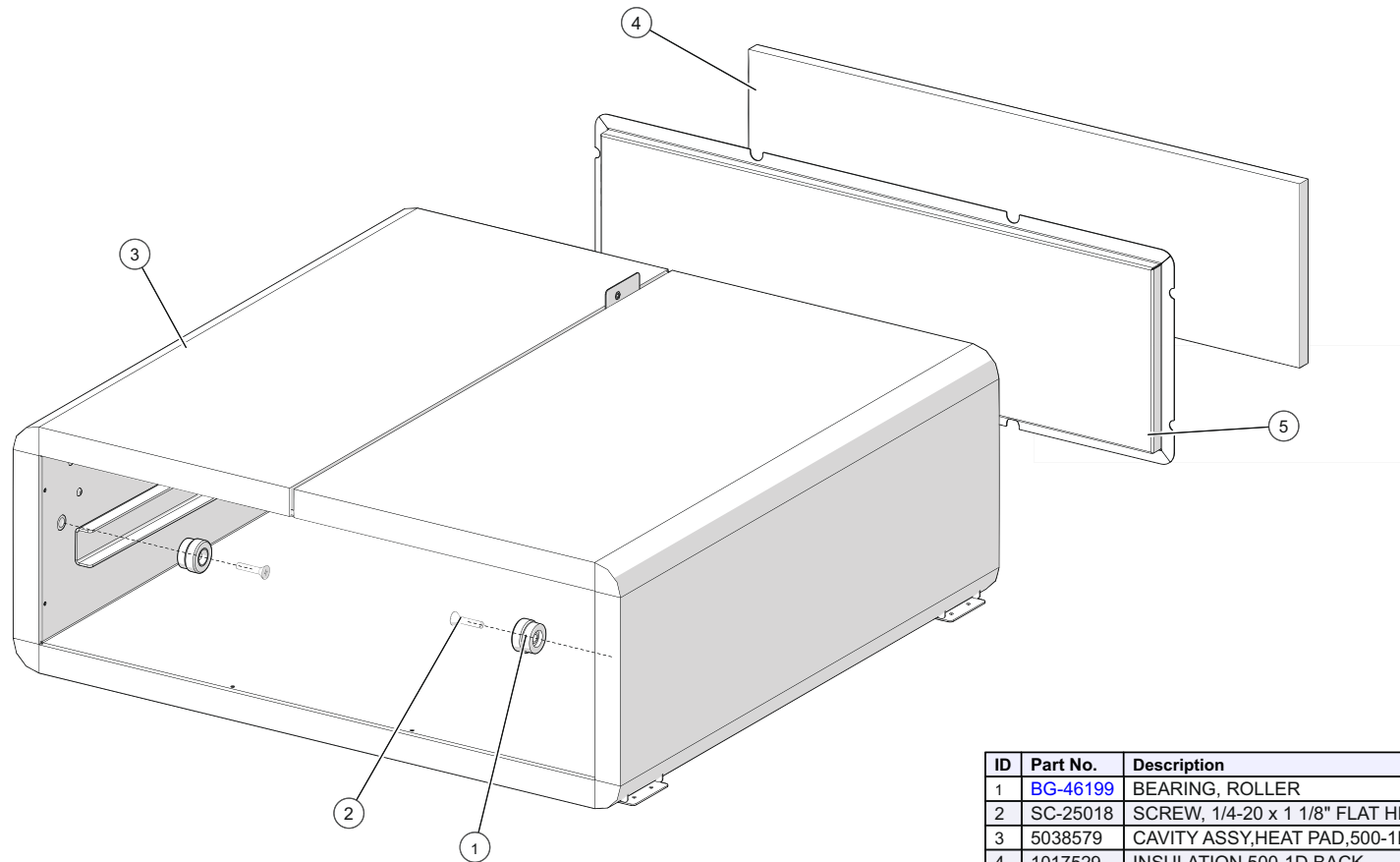
Cover Assembly, Top (All 500-DN models)



ID	Part No.	Description	Qty
1	GS-23622	GASKET, ADHESIVE, 0.125" X 0.375" X 88"	1
2	SC-22273	SCREW,M4x0.7X10MM PAN	4
3	1043941	COVER,TOP,500-1DN,2DN,3DN	1

5038584_0

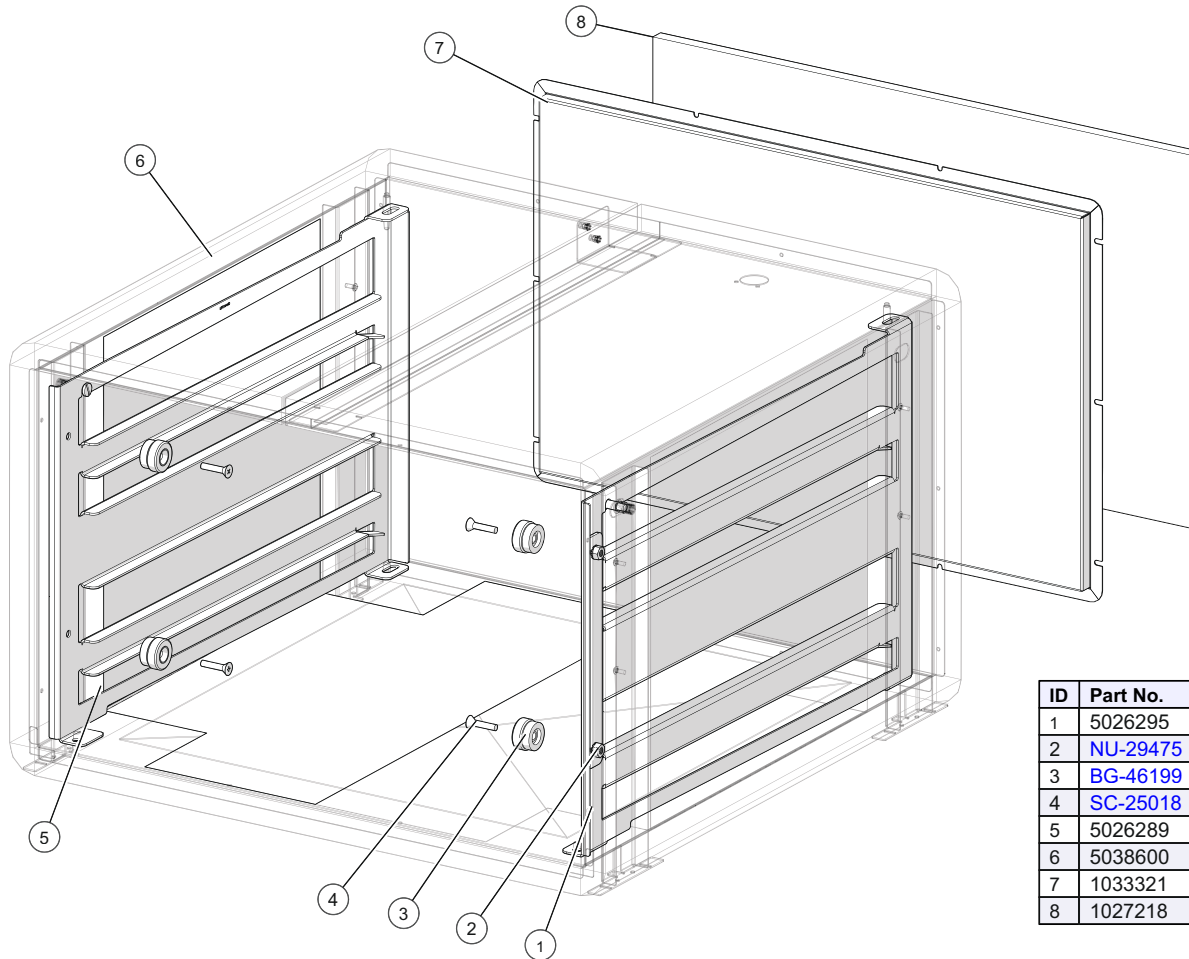
Cavity Package, 500-1D



ID	Part No.	Description	Qty
1	BG-46199	BEARING, ROLLER	2
2	SC-25018	SCREW, 1/4-20 x 1 1/8" FLAT HD	2
3	5038579	CAVITY ASSY,HEAT PAD,500-1D	1
4	1017529	INSULATION,500-1D,BACK,	1
5	1012667	PANEL, INNER BACK, 500-1D	1

5038577_0

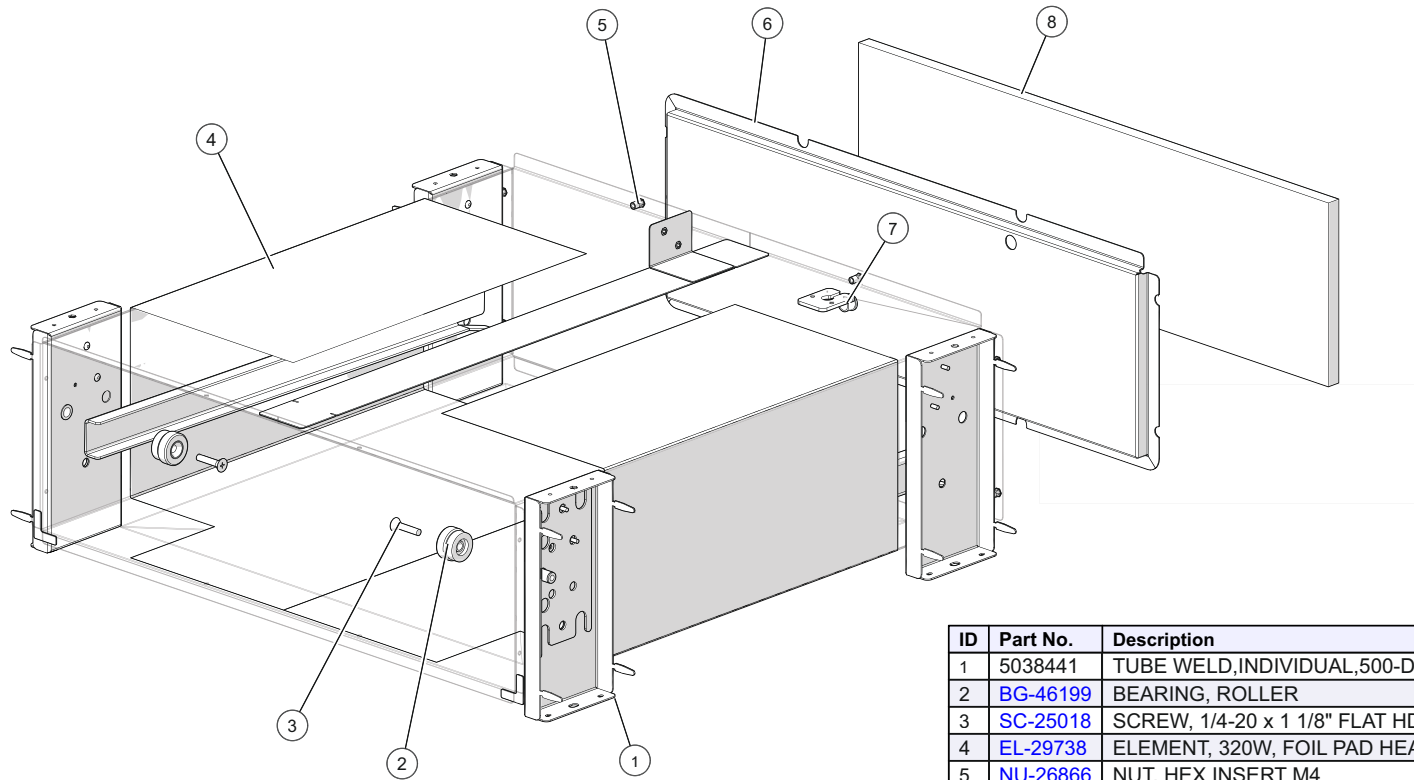
Cavity Package, 500-2D



ID	Part No.	Description	Qty
1	5026295	RAIL, RIGHT, ASSEMBLY	1
2	NU-29475	1/4"-20 KEPS NUT	4
3	BG-46199	BEARING, ROLLER	4
4	SC-25018	SCREW, 1/4-20 x 1 1/8" FLAT HD	4
5	5026289	RAIL, LEFT, ASSEMBLY	1
6	5038600	CAVITY ASSY,HEAT PAD,500-2D	1
7	1033321	PANEL, INNER BACK	1
8	1027218	INSULATION,500-2D,BACK	1

5038599_0

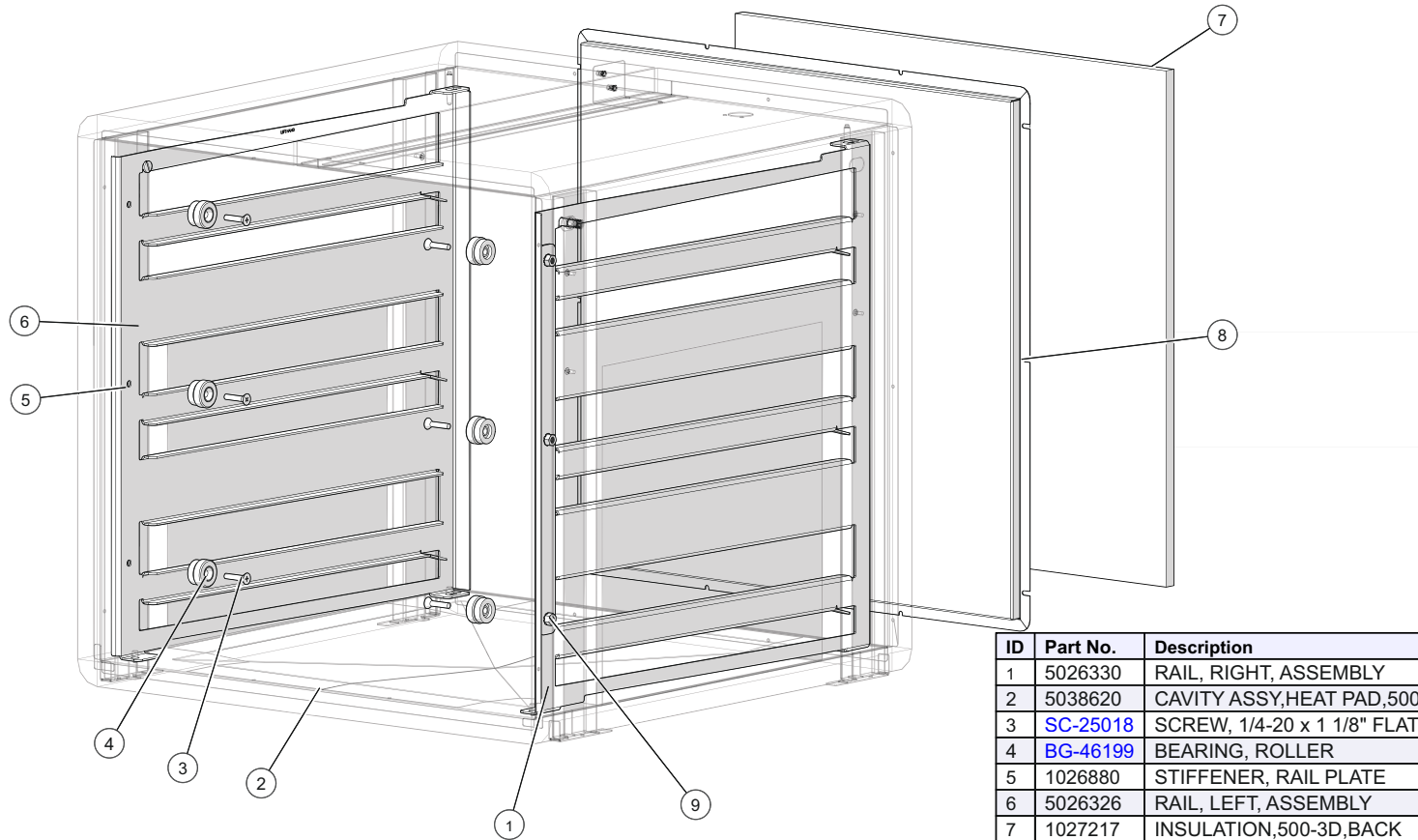
Cavity Package, 500-2DI



ID	Part No.	Description	Qty
1	5038441	TUBE WELD,INDIVIDUAL,500-DI	1
2	BG-46199	BEARING, ROLLER	2
3	SC-25018	SCREW, 1/4-20 x 1 1/8" FLAT HD	2
4	EL-29738	ELEMENT, 320W, FOIL PAD HEATER	2
5	NU-26866	NUT, HEX INSERT M4	8
6	1029429	PANEL, INNER BACK, 500-2DI	1
7	BU-3006	1/2" HOLE BUSHING	1
8	1017529	INSULATION,500-1D,BACK,	1

5038443_0

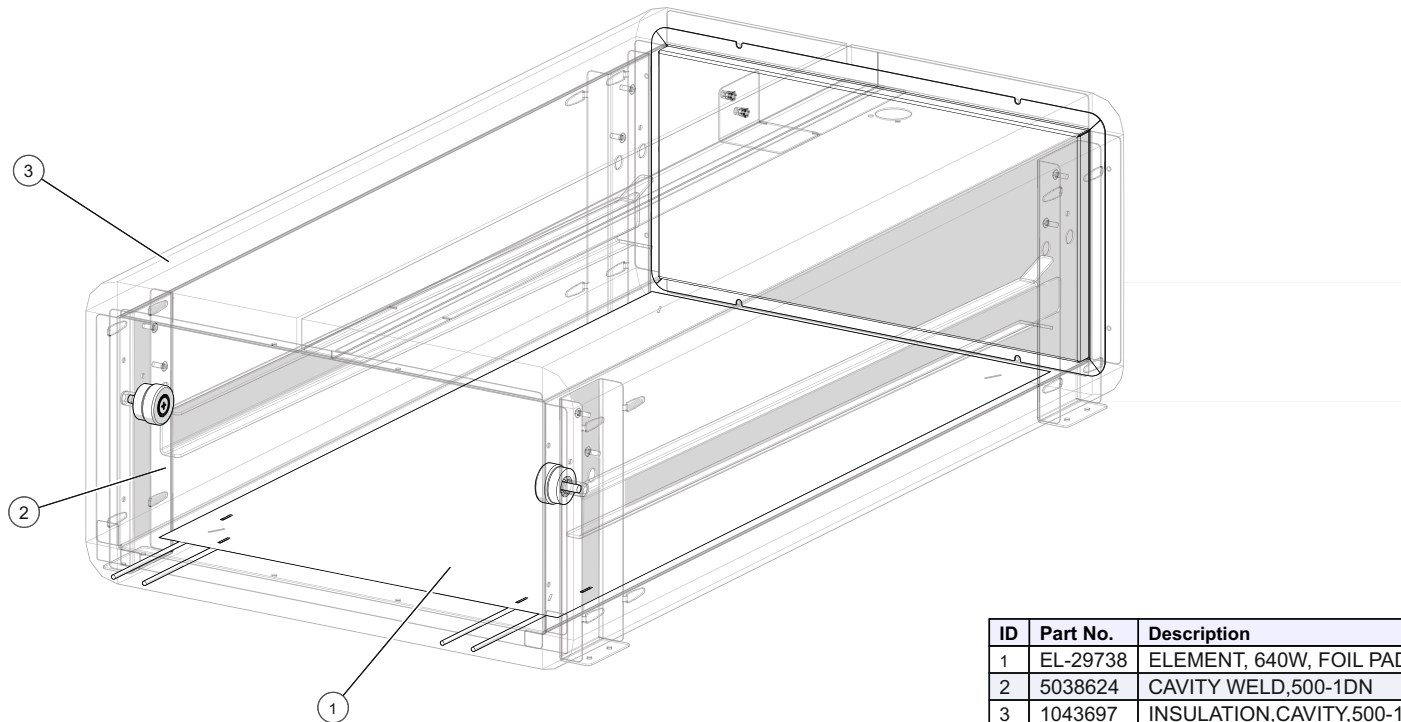
Cavity Package, 500-3D



ID	Part No.	Description	Qty
1	5026330	RAIL, RIGHT, ASSEMBLY	1
2	5038620	CAVITY ASSY,HEAT PAD,500-3D	1
3	SC-25018	SCREW, 1/4-20 x 1 1/8" FLAT HD	6
4	BG-46199	BEARING, ROLLER	6
5	1026880	STIFFENER, RAIL PLATE	2
6	5026326	RAIL, LEFT, ASSEMBLY	1
7	1027217	INSULATION,500-3D,BACK	1
8	1033429	PANEL, INNER BACK	1
9	NU-29475	1/4"-20 KEPS NUT	6

5038621_0

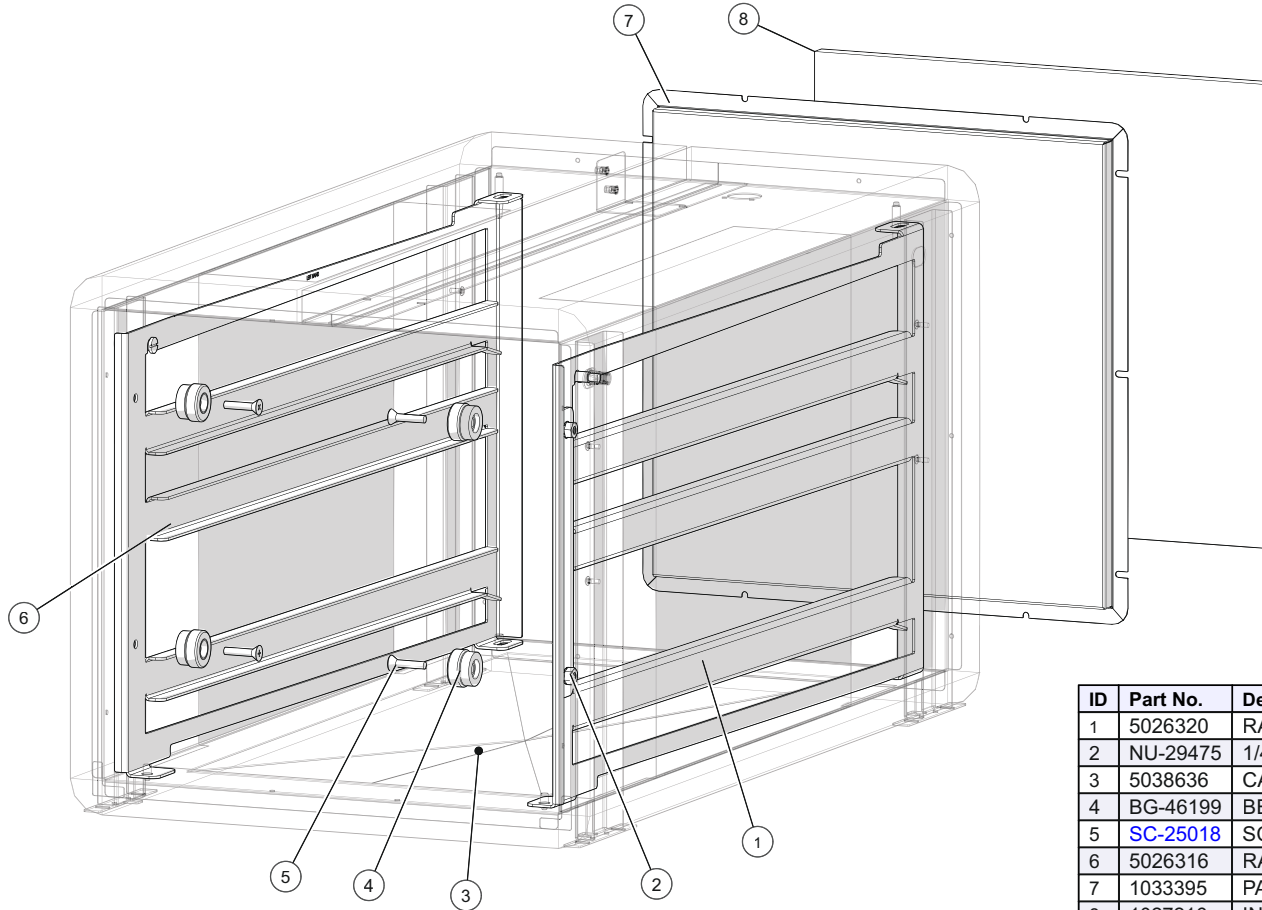
Cavity Package, 500-1DN



ID	Part No.	Description	Qty
1	EL-29738	ELEMENT, 640W, FOIL PAD HEATER	1
2	5038624	CAVITY WELD,500-1DN	1
3	1043697	INSULATION,CAVITY,500-1DN	1

5038626_0

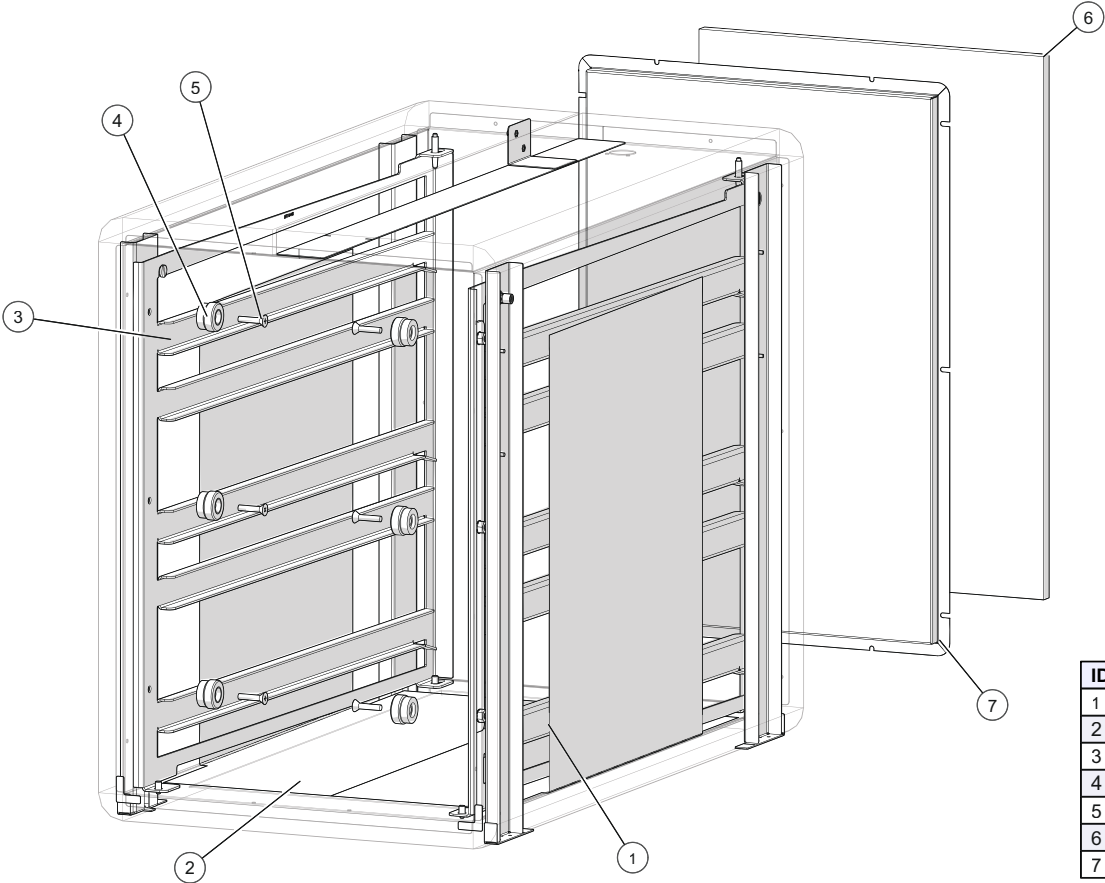
Cavity Package, 500-2DN



ID	Part No.	Description	Qty
1	5026320	RAIL, RIGHT, ASSEMBLY	1
2	NU-29475	1/4\"-20 KEPS NUT	4
3	5038636	CAVITY ASSY,HEAT PAD,500-2DN	1
4	BG-46199	BEARING, ROLLER	4
5	SC-25018	SCREW, 1/4-20 x 1 1/8\" FLAT HD	4
6	5026316	RAIL, LEFT, ASSEMBLY	1
7	1033395	PANEL, INNER BACK	1
8	1027216	INSULATION,500-2DN,BACK	1

5038637_0

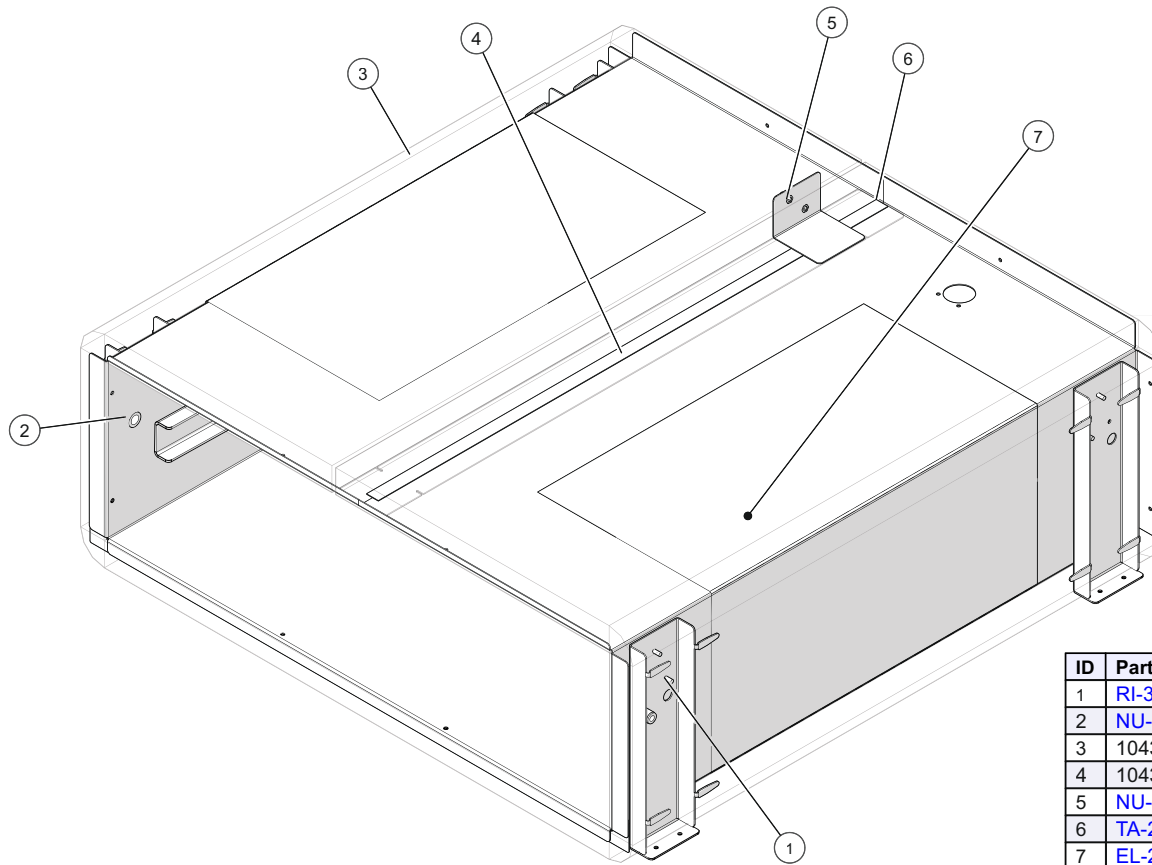
Cavity Package, 500-3DN



ID	Part No.	Description	Qty
1	5026339	RAIL, RIGHT, ASSEMBLY	1
2	5038642	CAVITY ASSY,HEAT PAD,500-3DN	1
3	5026336	RAIL, LEFT, ASSEMBLY	1
4	BG-46199	BEARING, ROLLER	6
5	SC-25018	SCREW, 1/4-20 x 1 1/8" FLAT HD	6
6	1027219	INSULATION,500-3DN,BACK	1
7	1033483	PANEL, INNER BACK	1

5038643_0

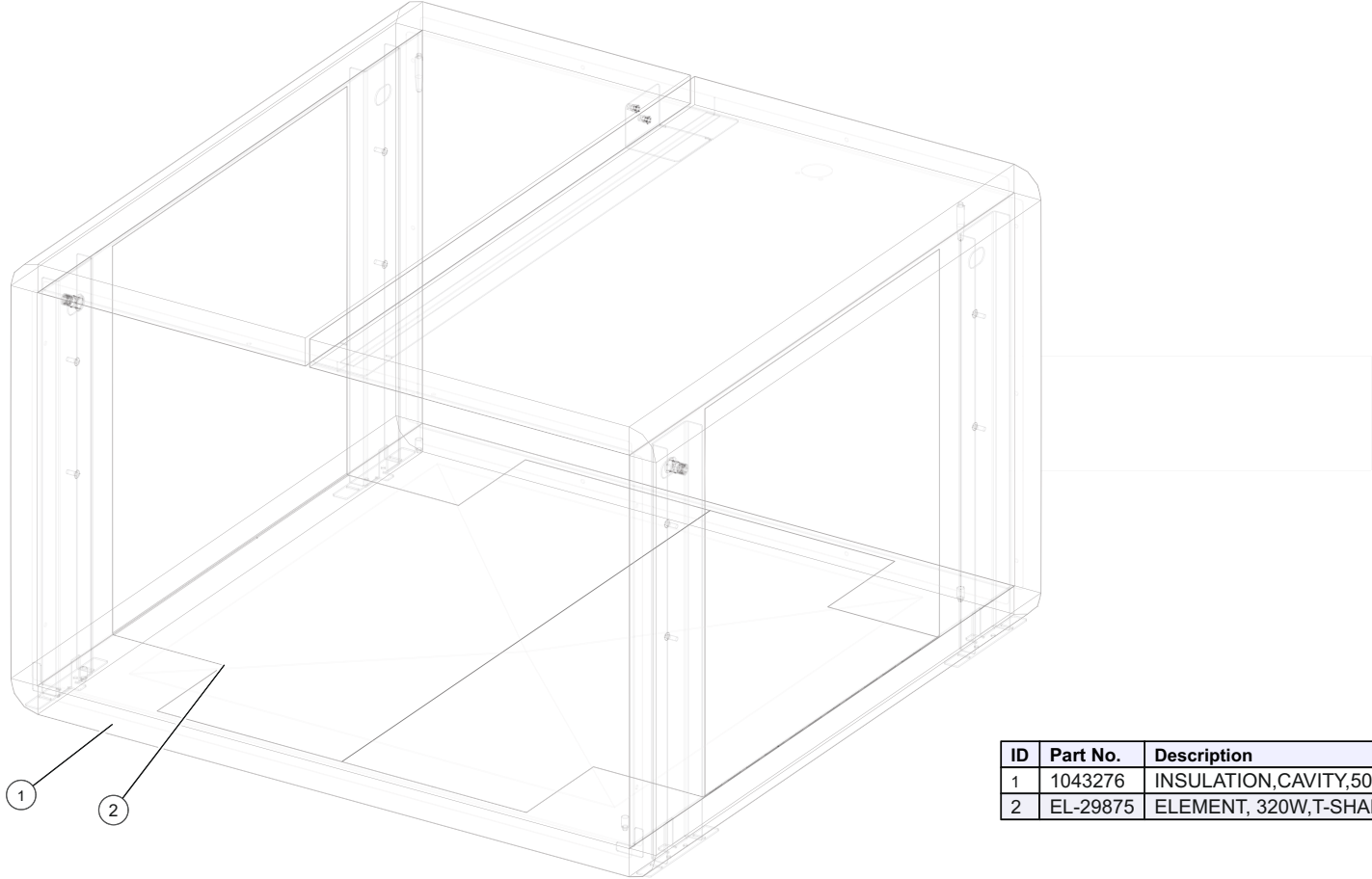
Cavity Assembly, Heat Pad, 500-1D



ID	Part No.	Description	Qty
1	RI-38125	RIVET,SEALED,.125"	8
2	NU-24613	1/4-20 INSERT NUT	2
3	1043685	INSULATION,CAVITY,500-1D	1
4	1043940	PLATE,SEAM STRIP,500-1D,2D,3D	1
5	NU-46432	NUT, HEX INSERT M3	2
6	TA-24637	1/2" VHB TAPE - 21.875" LENGTH	1
7	EL-29738	ELEMENT, 320W, FOIL PAD HEATER	2

5038579_0

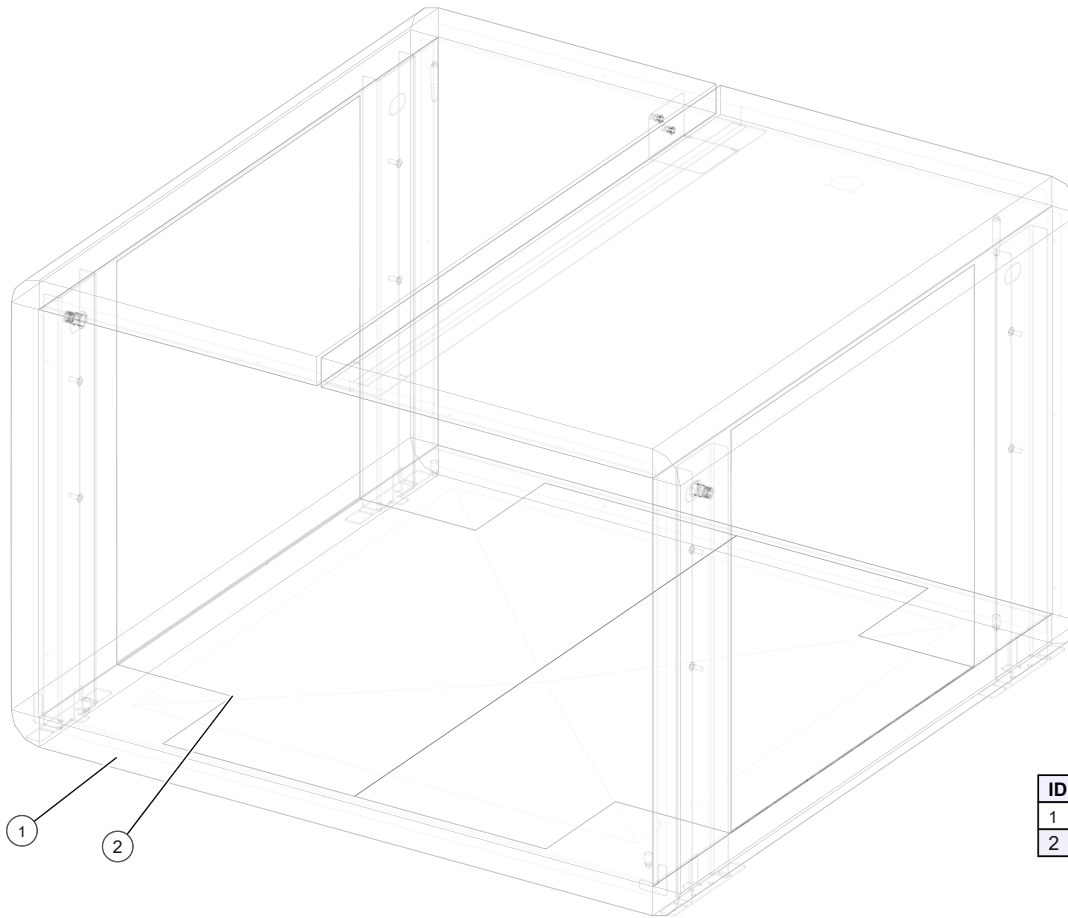
Cavity Assembly, Heat Pad, 500-2D



ID	Part No.	Description	Qty
1	1043276	INSULATION,CAVITY,500-2D	1
2	EL-29875	ELEMENT, 320W,T-SHAPE	2

5038600_0

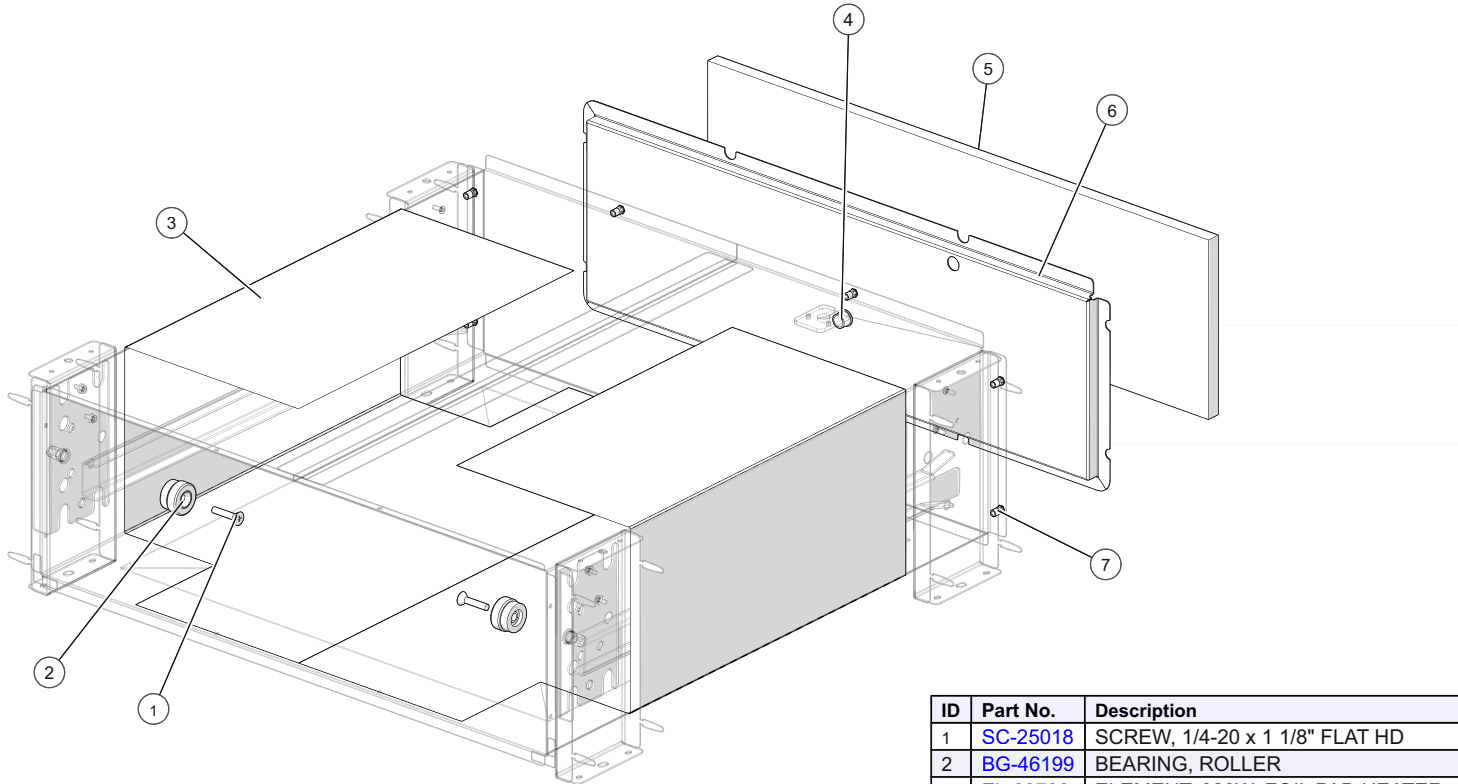
Cavity Assembly, Heat Pad, 500-2D



ID	Part No.	Description	Qty
1	1043276	INSULATION,CAVITY,500-2D	1
2	EL-29875	ELEMENT, 320W,T-SHAPE	2

5038600_0

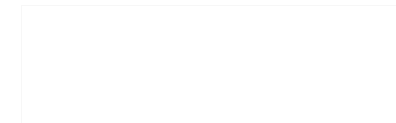
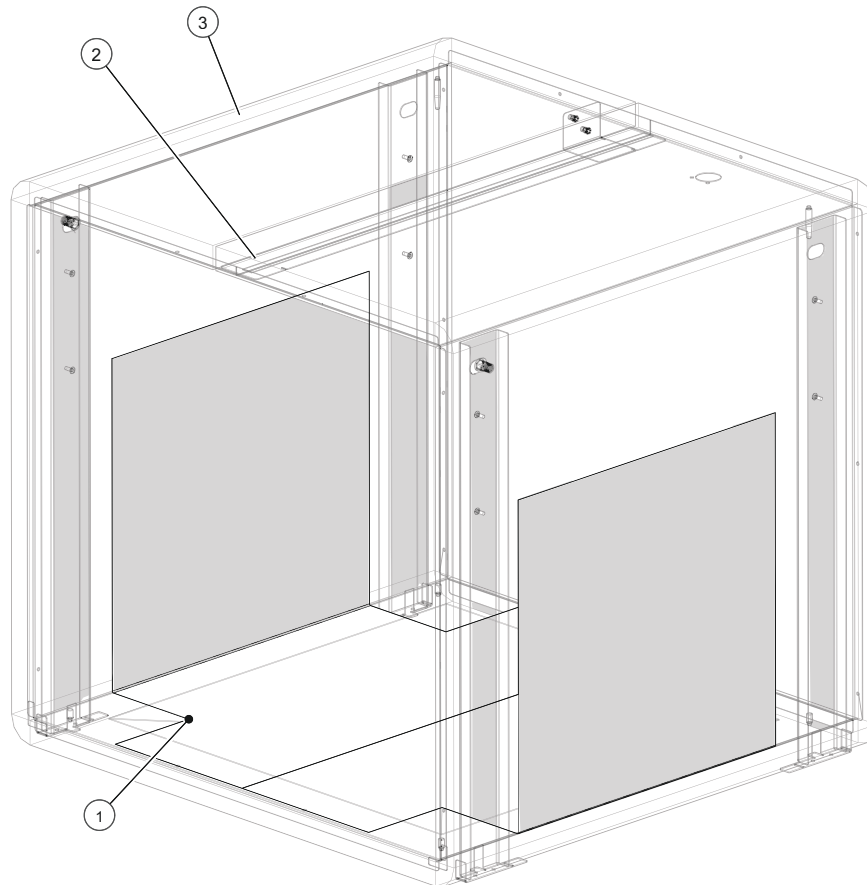
Cavity Assembly, Heat Pad, 500-2DI



ID	Part No.	Description	Qty
1	SC-25018	SCREW, 1/4-20 x 1 1/8" FLAT HD	2
2	BG-46199	BEARING, ROLLER	2
3	EL-29738	ELEMENT, 320W, FOIL PAD HEATER	2
4	BU-3006	1/2" HOLE BUSHING	1
5	1017529	INSULATION,500-1D,BACK,	1
6	1029429	PANEL, INNER BACK, 500-2DI	1
7	NU-26866	NUT, HEX INSERT M4	8

5038608_0

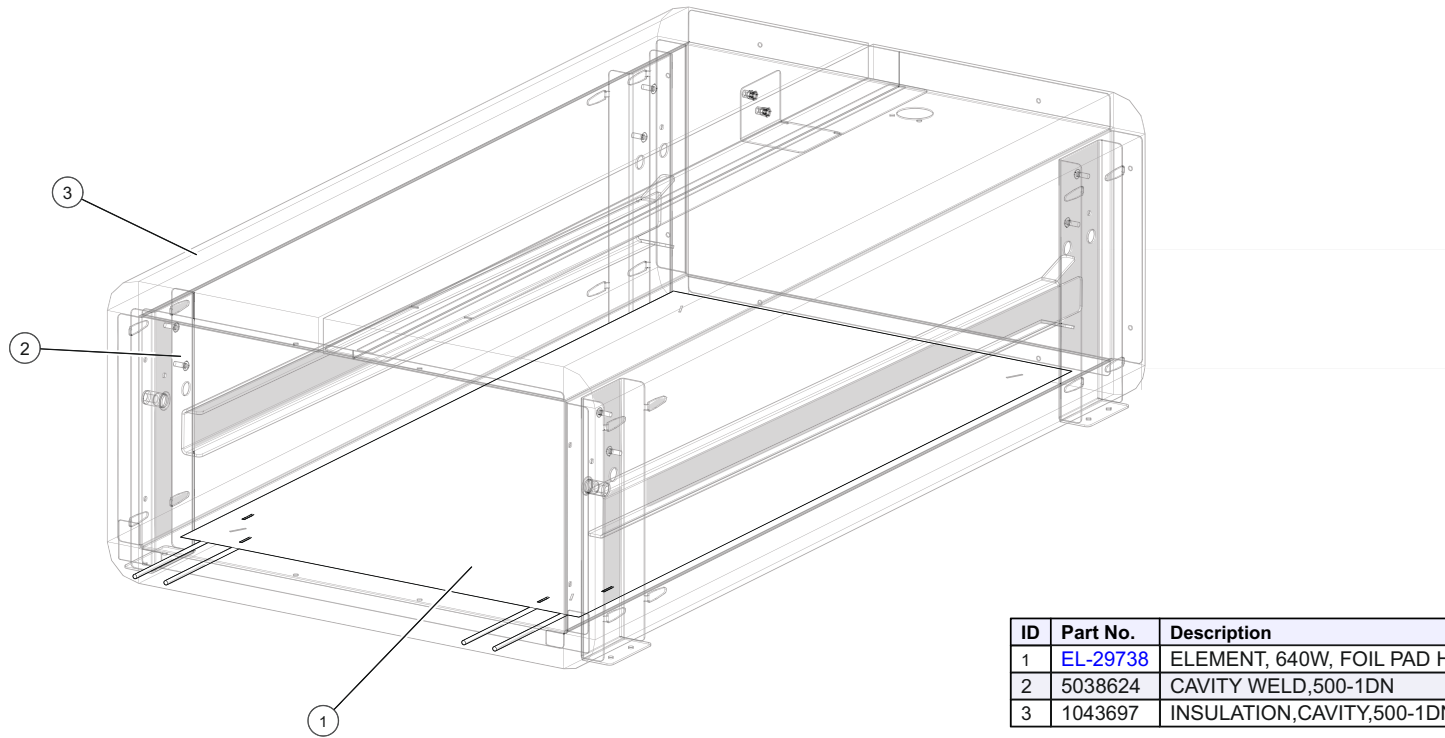
Cavity Assembly, Heat Pad, 500-3D



ID	Part No.	Description	Qty
1	EL-29875	ELEMENT, 320W,T-SHAPE	2
2	5038619	CAVITY WELD,500-3D	1
3	1043278	INSULATION,CAVITY,500-3D	1

5038620_0

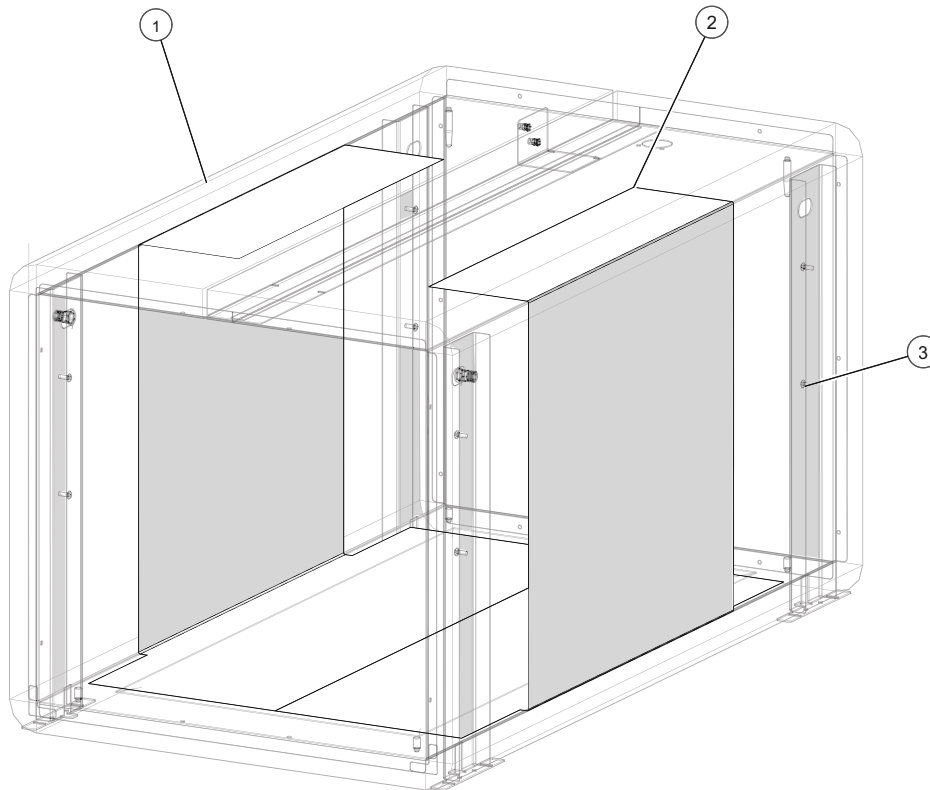
Cavity Assembly, Heat Pad, 500-1DN



ID	Part No.	Description	Qty
1	EL-29738	ELEMENT, 640W, FOIL PAD HEATER	1
2	5038624	CAVITY WELD,500-1DN	1
3	1043697	INSULATION,CAVITY,500-1DN	1

5038625_0

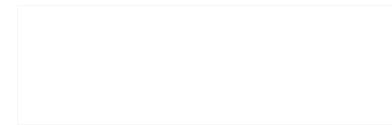
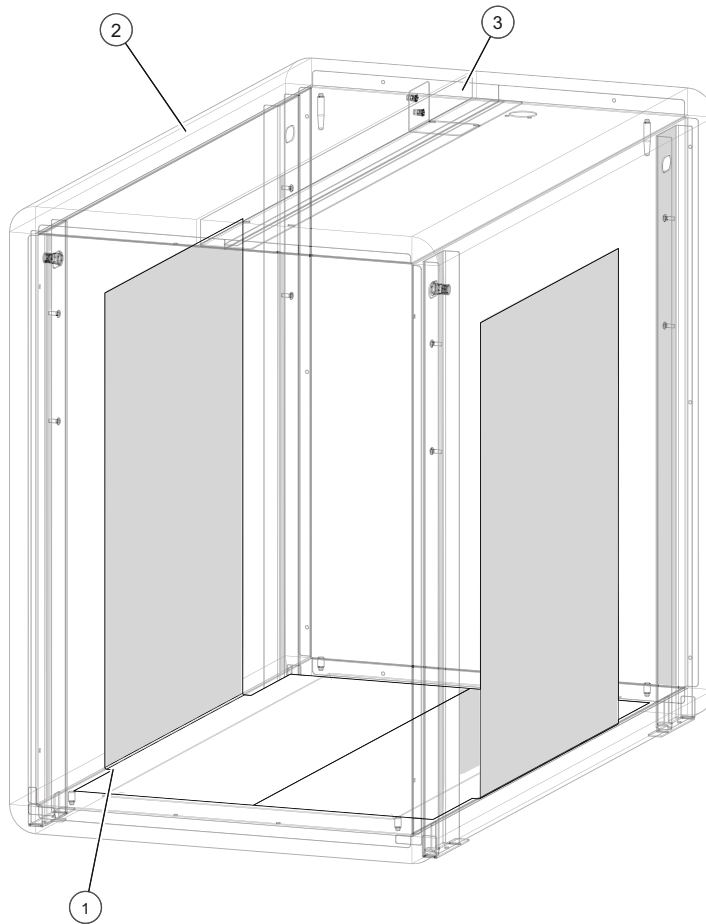
Cavity Assembly, Heat Pad, 500-2DN



ID	Part No.	Description	Qty
1	1043277	INSULATION,CAVITY,500-2DN	1
2	EL-29875	ELEMENT, 320W,T-SHAPE	2
3	5038635	CAVITY WELD,500-2DN	1

5038636_0

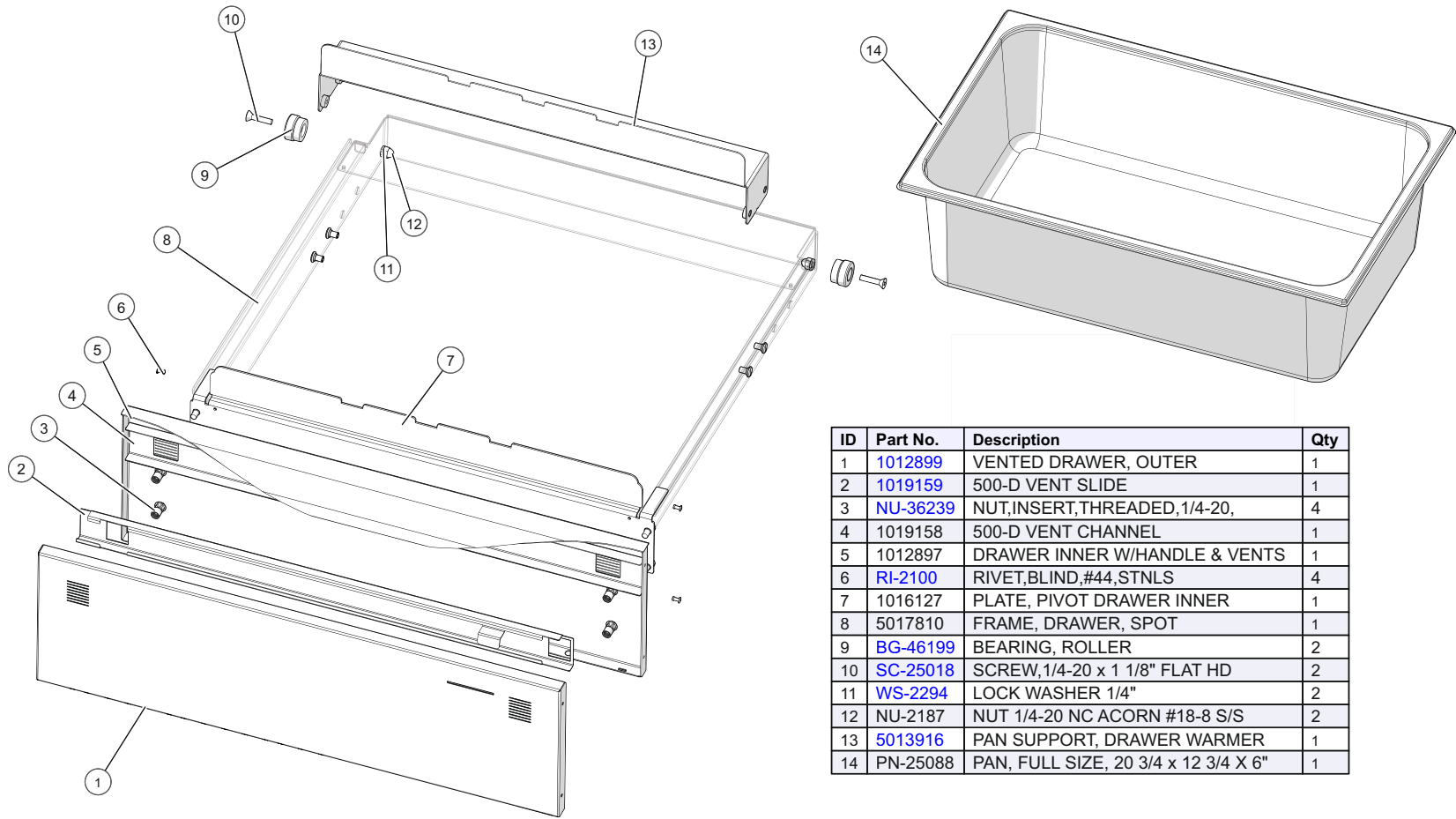
Cavity Assembly, Heat Pad, 500-3DN



ID	Part No.	Description	Qty
1	EL-29875	ELEMENT, 320W,T-SHAPE	2
2	1043279	INSULATION,CAVITY,500-3DN	1
3	5038641	CAVITY WELD,500-3DN	1

5038642_0

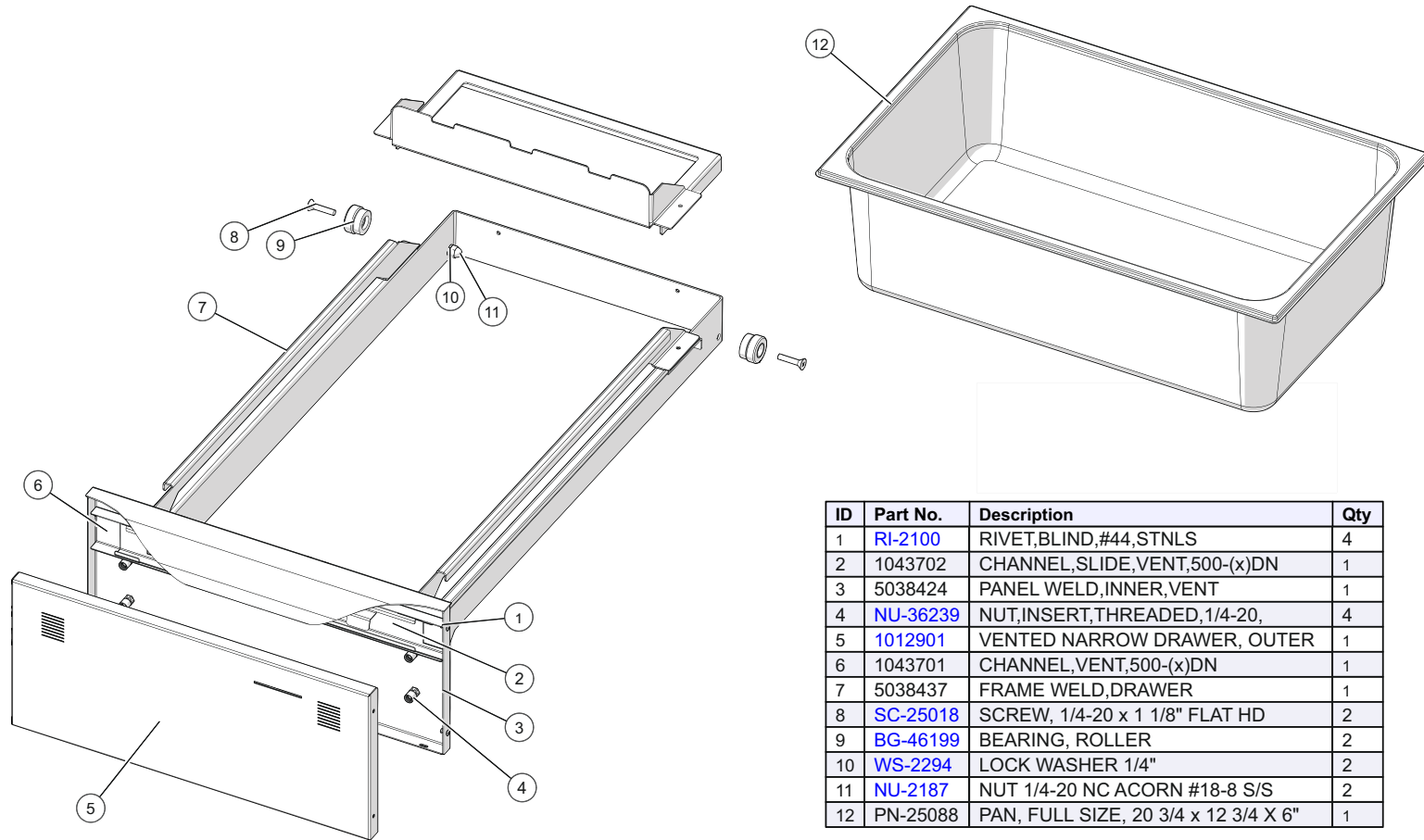
Drawer Assembly, Standard with Vents, 500-D Series



ID	Part No.	Description	Qty
1	1012899	VENTED DRAWER, OUTER	1
2	1019159	500-D VENT SLIDE	1
3	NU-36239	NUT,INSERT,THREADED,1/4-20,	4
4	1019158	500-D VENT CHANNEL	1
5	1012897	DRAWER INNER W/HANDLE & VENTS	1
6	RI-2100	RIVET,BLIND,#44,STNLS	4
7	1016127	PLATE, PIVOT DRAWER INNER	1
8	5017810	FRAME, DRAWER, SPOT	1
9	BG-46199	BEARING, ROLLER	2
10	SC-25018	SCREW,1/4-20 x 1 1/8" FLAT HD	2
11	WS-2294	LOCK WASHER 1/4"	2
12	NU-2187	NUT 1/4-20 NC ACORN #18-8 S/S	2
13	5013916	PAN SUPPORT, DRAWER WARMER	1
14	PN-25088	PAN, FULL SIZE, 20 3/4 x 12 3/4 X 6"	1

5034225_0

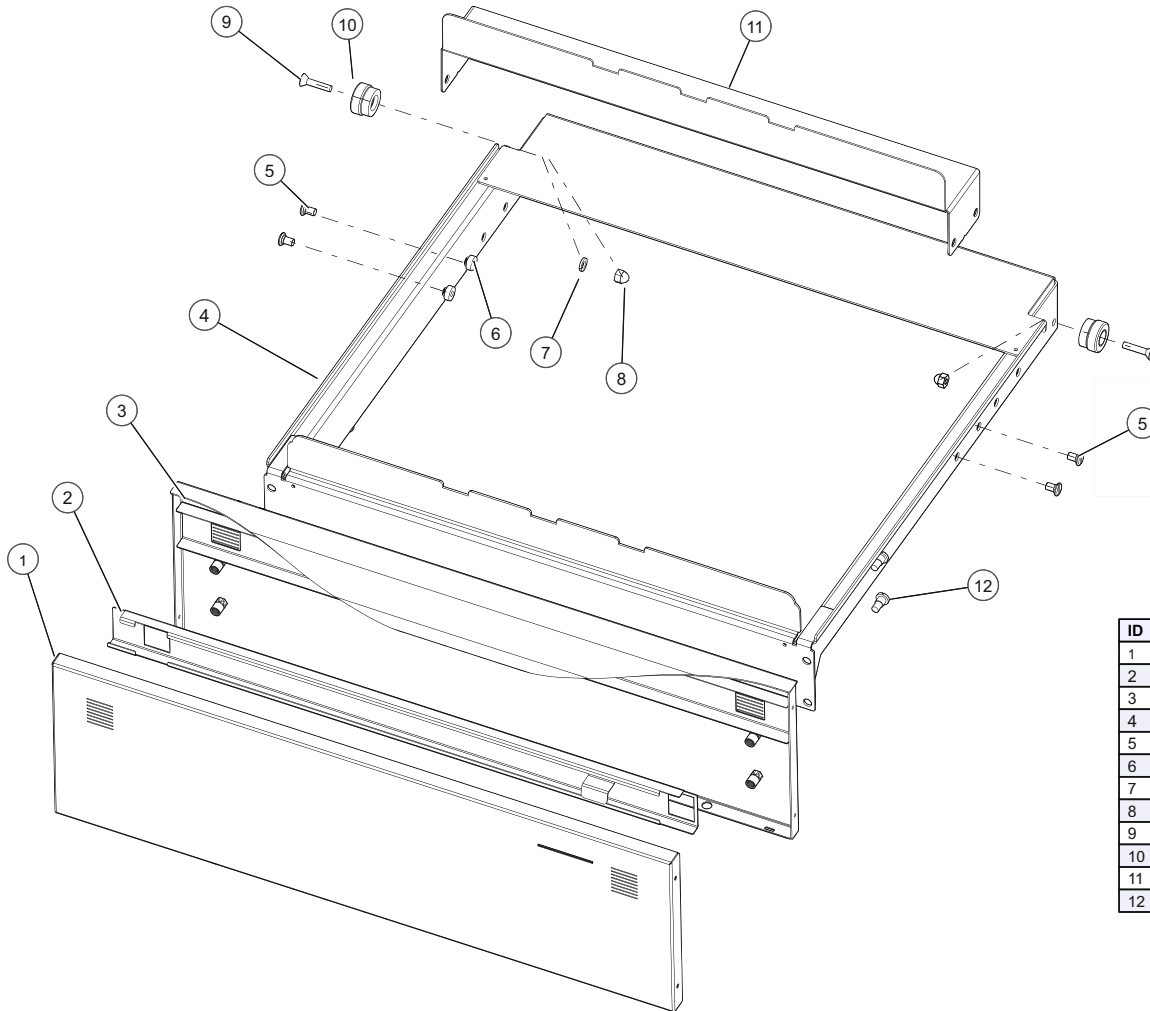
Drawer Assembly, Standard with Vents, 500-DN Series



ID	Part No.	Description	Qty
1	RI-2100	RIVET,BLIND,#44,STNLS	4
2	1043702	CHANNEL,SLIDE,VENT,500-(x)DN	1
3	5038424	PANEL WELD,INNER,VENT	1
4	NU-36239	NUT,INSERT,THREADED,1/4-20,	4
5	1012901	VENTED NARROW DRAWER, OUTER	1
6	1043701	CHANNEL,VENT,500-(x)DN	1
7	5038437	FRAME WELD,DRAWER	1
8	SC-25018	SCREW, 1/4-20 x 1 1/8" FLAT HD	2
9	BG-46199	BEARING, ROLLER	2
10	WS-2294	LOCK WASHER 1/4"	2
11	NU-2187	NUT 1/4-20 NC ACORN #18-8 S/S	2
12	PN-25088	PAN, FULL SIZE, 20 3/4 x 12 3/4 X 6"	1

5038435_0

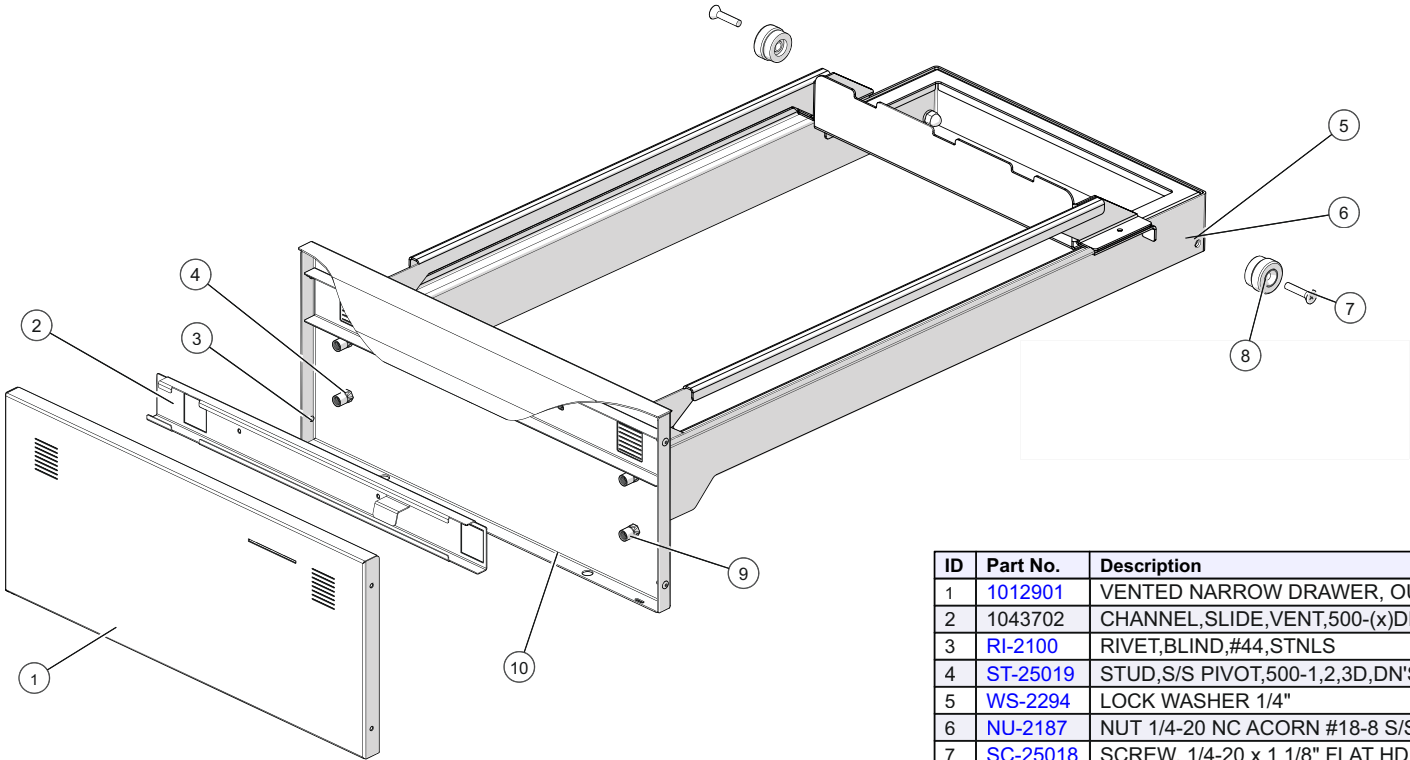
Drawer Frame Assembly, 500-D Series



ID	Part No.	Description	Qty
1	1012899	VENTED DRAWER, OUTER	1
2	1019159	500-D VENT SLIDE	1
3	5014558	VENTED DRAWER FRONT SPOT	1
4	5017810	FRAME, DRAWER, SPOT	1
5	ST-2546	STUD, SHOULDER, SHORT, S/S	4
6	NU-24891	NUT, WELD, 1/4-20UNC, S.S.	4
7	WS-2294	LOCK WASHER 1/4"	1
8	NU-2187	NUT 1/4-20 NC ACORN #18-8 S/S	1
9	SC-25018	1/4-20 x 1 1/8" FLAT HD S/S	2
10	BG-46199	BEARING, ROLLER	2
11	1012477	DRAWER WARMER, FRAME, PAN SLIDE	1
12	ST-25019	STUD,S/S PIVOT,500-1,2,3D,DN'S	4

5014559_13

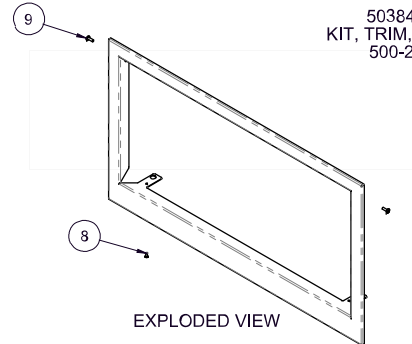
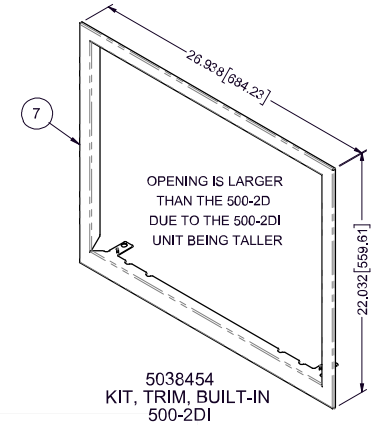
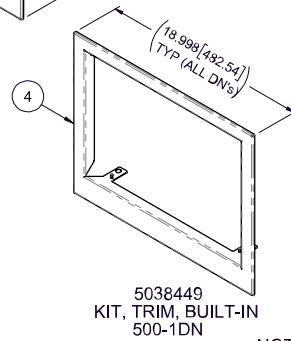
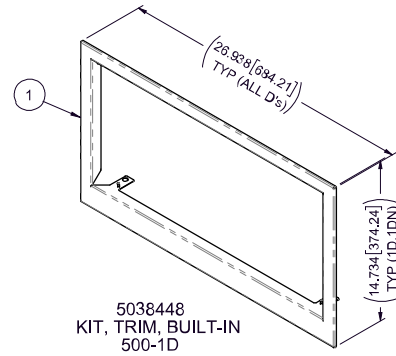
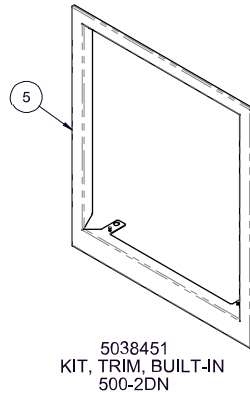
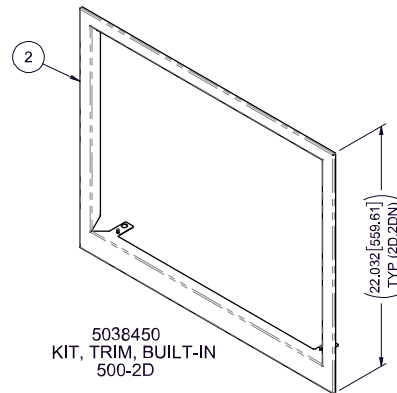
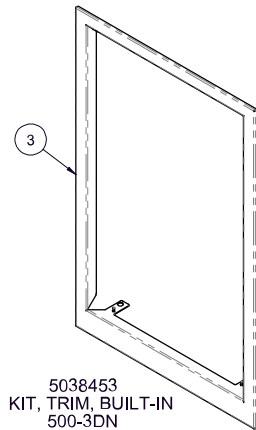
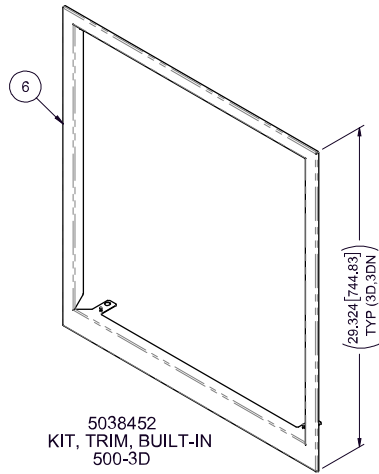
Drawer Frame Assembly, 500-DN Series



ID	Part No.	Description	Qty
1	1012901	VENTED NARROW DRAWER, OUTER	1
2	1043702	CHANNEL,SLIDE,VENT,500-(x)DN	1
3	RI-2100	RIVET,BLIND,#44,STNLS	4
4	ST-25019	STUD,S/S PIVOT,500-1,2,3D,DN'S	4
5	WS-2294	LOCK WASHER 1/4"	1
6	NU-2187	NUT 1/4-20 NC ACORN #18-8 S/S	2
7	SC-25018	SCREW, 1/4-20 x 1 1/8" FLAT HD	2
8	BG-46199	BEARING, ROLLER	2
9	NU-36239	NUT,INSERT,THREADED,1/4-20,	4
10	5038424	PANEL WELD,INNER,VENT	1

5038428_0

Trim Kits

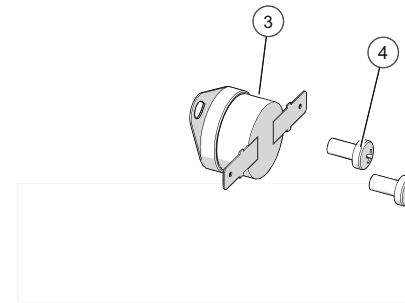
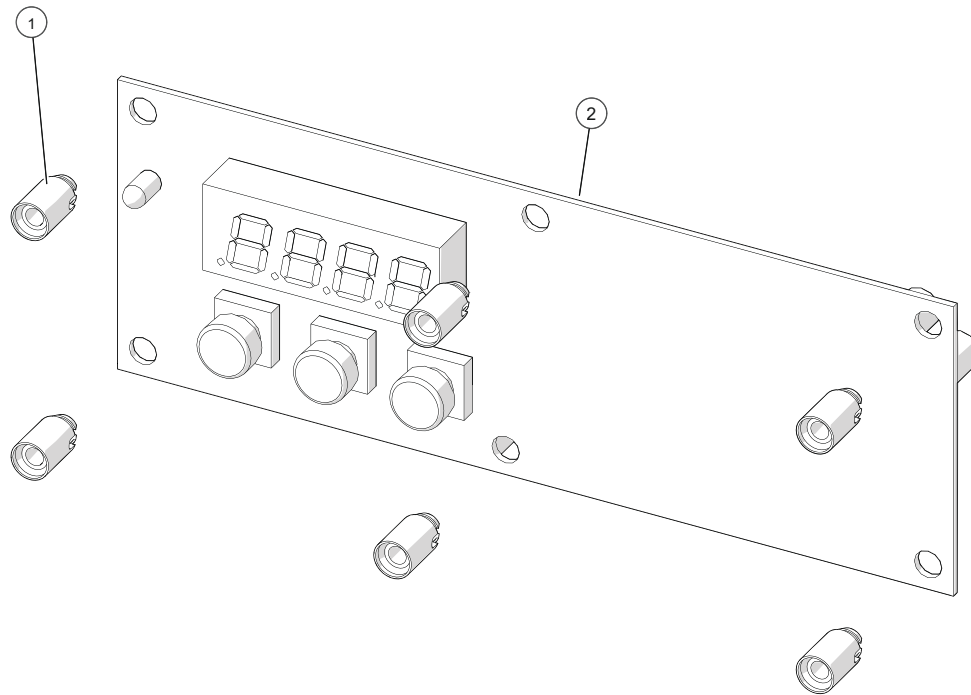


NOTE: * = NOT SHOWN

ITEM	PART NUMBER	DESCRIPTION	5038448 /QTY.	5038449 /QTY.	5038450 /QTY.	5038451 /QTY.	5038452 /QTY.	5038453 /QTY.	5038454 /QTY.
1	1043728	TRIM, BUILT-IN	1	-	-	-	-	-	-
2	1043729	TRIM, BUILT-IN	-	-	1	-	-	-	-
3	1043733	TRIM, BUILT-IN	-	-	-	-	-	1	-
4	1043731	TRIM, BUILT-IN	-	1	-	-	-	-	-
5	1043732	TRIM, BUILT-IN	-	-	-	1	-	-	-
6	1043730	TRIM, BUILT-IN	-	-	-	-	1	-	-
7	1043734	TRIM, BUILT-IN	-	-	-	-	-	-	1
8	RI-2100	RIVET, BLIND, #44, STNLS	2	2	2	2	2	2	2
9	SC-2425	SCREW, 8-32 X 1/2" TRH	2	2	2	2	2	2	2
* 10	SRV-20111	SERVICE DOC, TRIM KIT, 500D	1	1	1	1	1	1	1

DW TRIM KITS_0

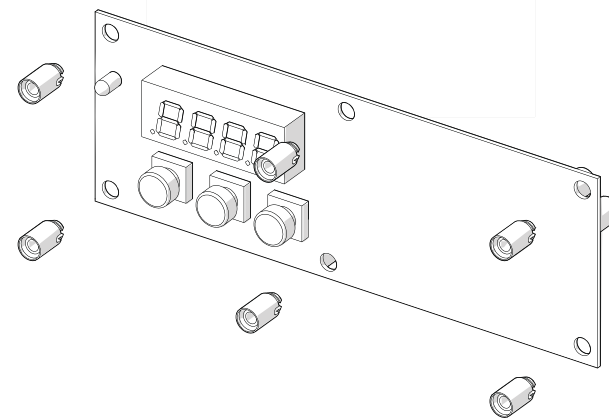
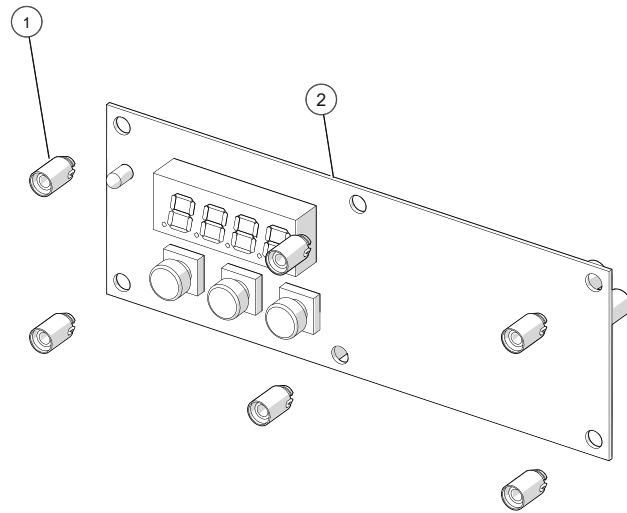
Control Assembly, Wired, All 500-D and DN Models



ID	Part No.	Description	Qty
1	SP-29392	SPACER, SNAP-IN, 7/16"	6
2	CC-34970	ELAN WARMER CONTROL	1
3	TT-34350	THERMOSTAT, 210F HI-LIMIT	1
4	SC-22266	SCREW, M3x0.5X6MM PAN	2
5	5038771	WIRE ASSEMBLY (not shown)	1

5038583_0

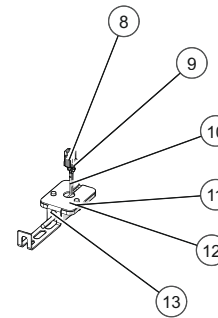
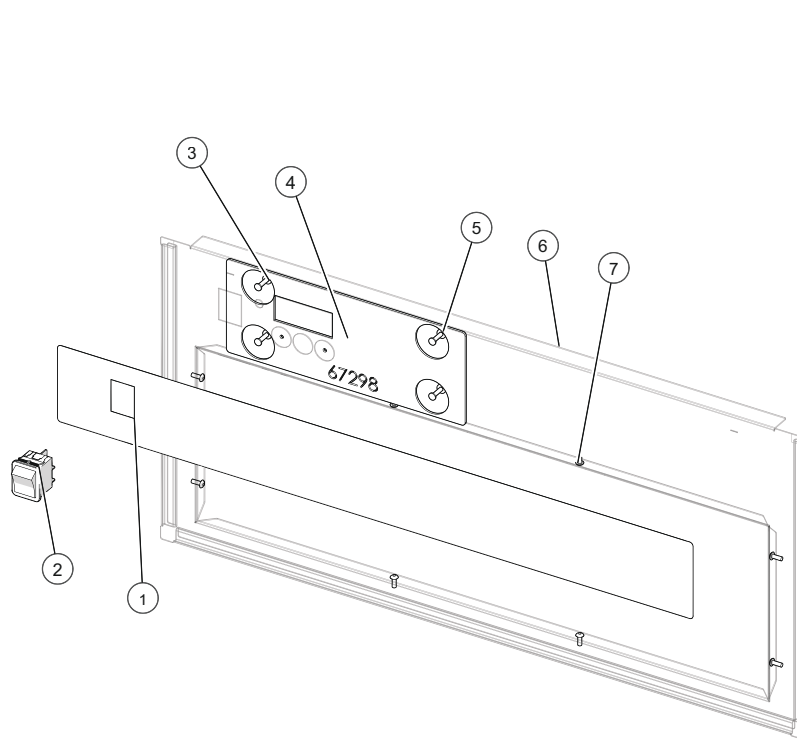
Control Assembly, Wired, 500-2DI



ID	Part No.	Description	Qty
1	SP-29392	SPACER, SNAP-IN, 7/16"	12
2	CC-34970	ELAN WARMER CONTROL	2
3	5034264	WIRE ASSEMBLY, 500-2DI (not shown)	1
4	5038771	WIRE ASSEMBLY, 500 SERIES, 120V, 208-240V, 230V (not shown)	1

5038607_0

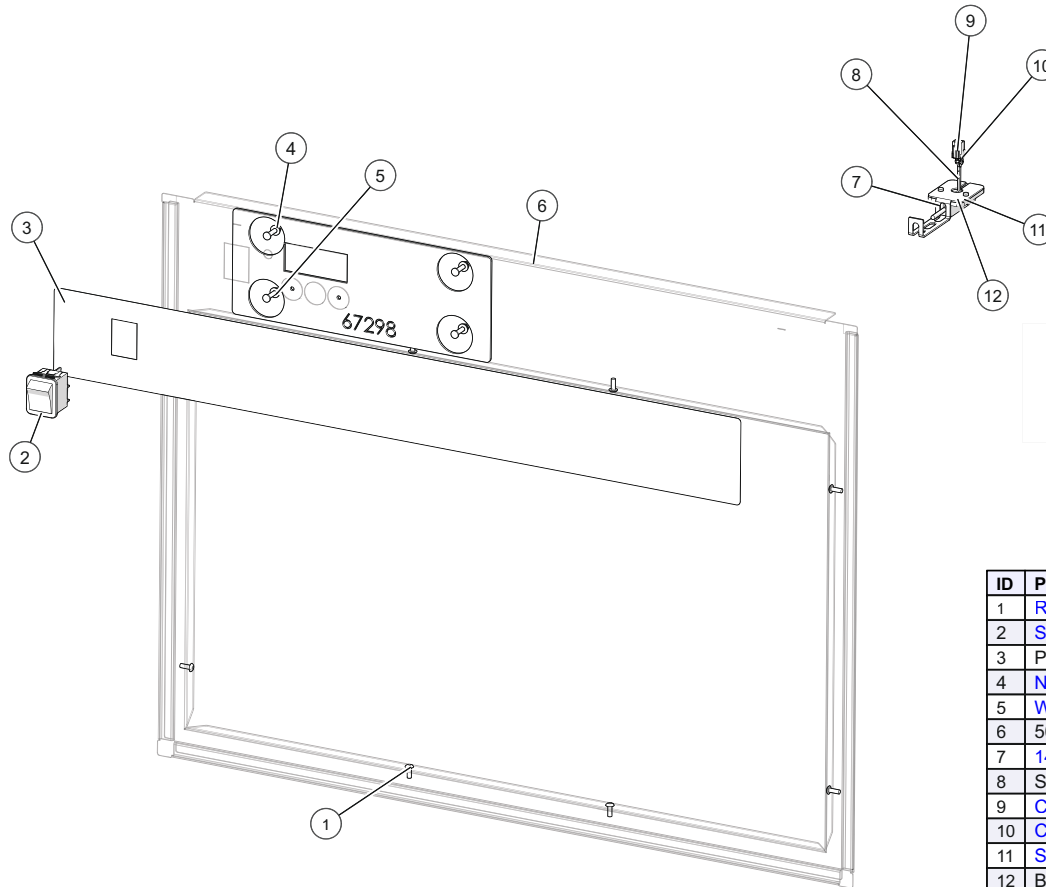
Control Package, 500-1D



ID	Part No.	Description	Qty
1	PE-47777	OVERLAY, 500-D, SIMPLE CONTROL	1
2	SW-38665	SWITCH,ROCKER,DPST,20A,125V,	1
3	WS-23148	WASHER, 6-32, FLAT, NYL	4
4	5034211	TRIM, FRONT, STUD, ASSEMBLY	1
5	NU-2361	NUT, 6-32 HEX, S/S	4
6	1037522	TRIM, CONTROL, ELAN	1
7	RI-38125	RIVET,SEALED,.125"	8
8	CR-34502	CONNECTOR, HOUSING, 2 PORTS	1
9	CR-34503	CONNECTOR, RECTANGULAR CONTACTS	2
10	SN-38111	SENSOR, 1000 OHM, 110" WIRE	1
11	SC-22271	SCREWS,M4-0.7X6MM PHIL	2
12	BK-29605	BLOCK, SENSOR, ELEC. CONTROL	1
13	1493	GUARD SENSOR,W/MW	1

5038575_0

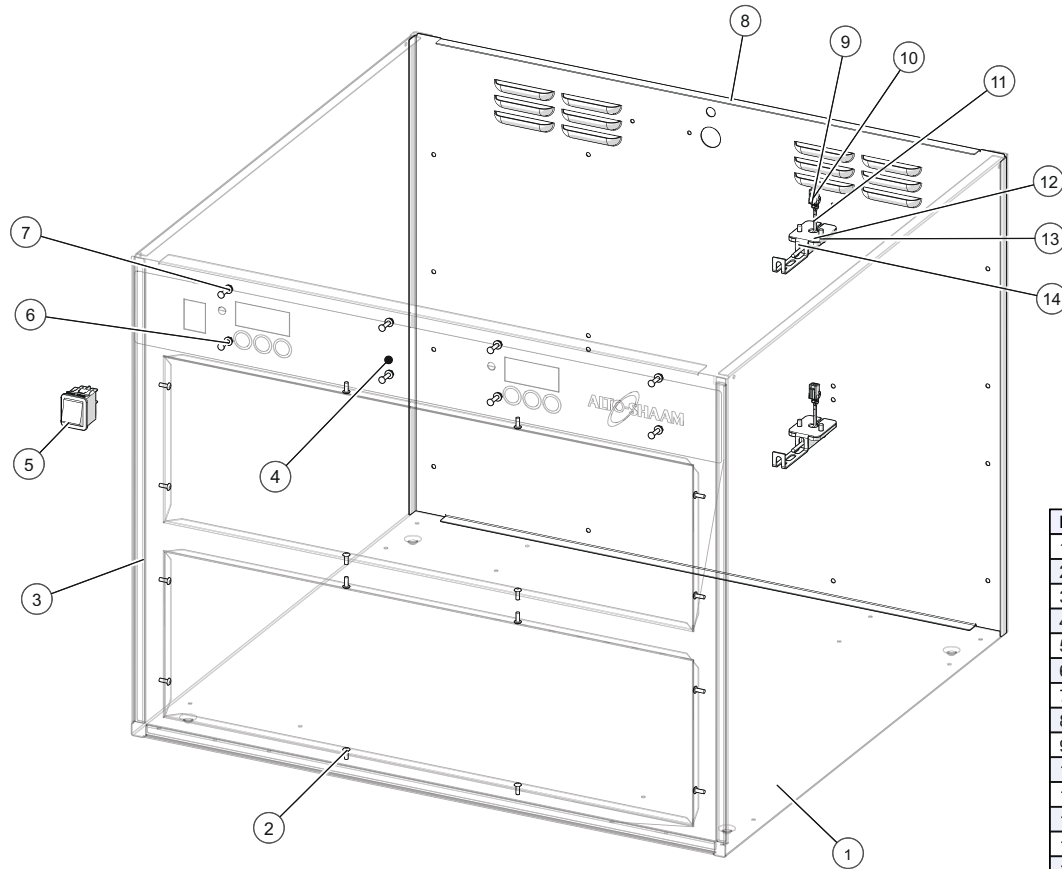
Control Package, 500-2D



ID	Part No.	Description	Qty
1	RI-38125	RIVET,SEALED, .125"	8
2	SW-38665	SWITCH,ROCKER,DPST,20A,125V,	1
3	PE-47777	OVERLAY, 500-D, SIMPLE CONTROL	1
4	NU-2361	NUT, 6-32 HEX, S/S	4
5	WS-23148	WASHER, 6-32, FLAT, NYL	4
6	5034233	500-2D FRONT TRIM STUD ASSB	1
7	1493	GUARD SENSOR,W/MW	1
8	SN-38111	SENSOR, 1000 OHM, 110" WIRE	1
9	CR-34502	CONNECTOR, HOUSING, 2 PORTS	1
10	CR-34503	CONNECTOR, RECTANGULAR CONTACTS	2
11	SC-22271	SCREWS,M4-0.7X6MM PHIL	2
12	BK-29605	BLOCK, SENSOR, ELEC. CONTROL	1

5038603_0

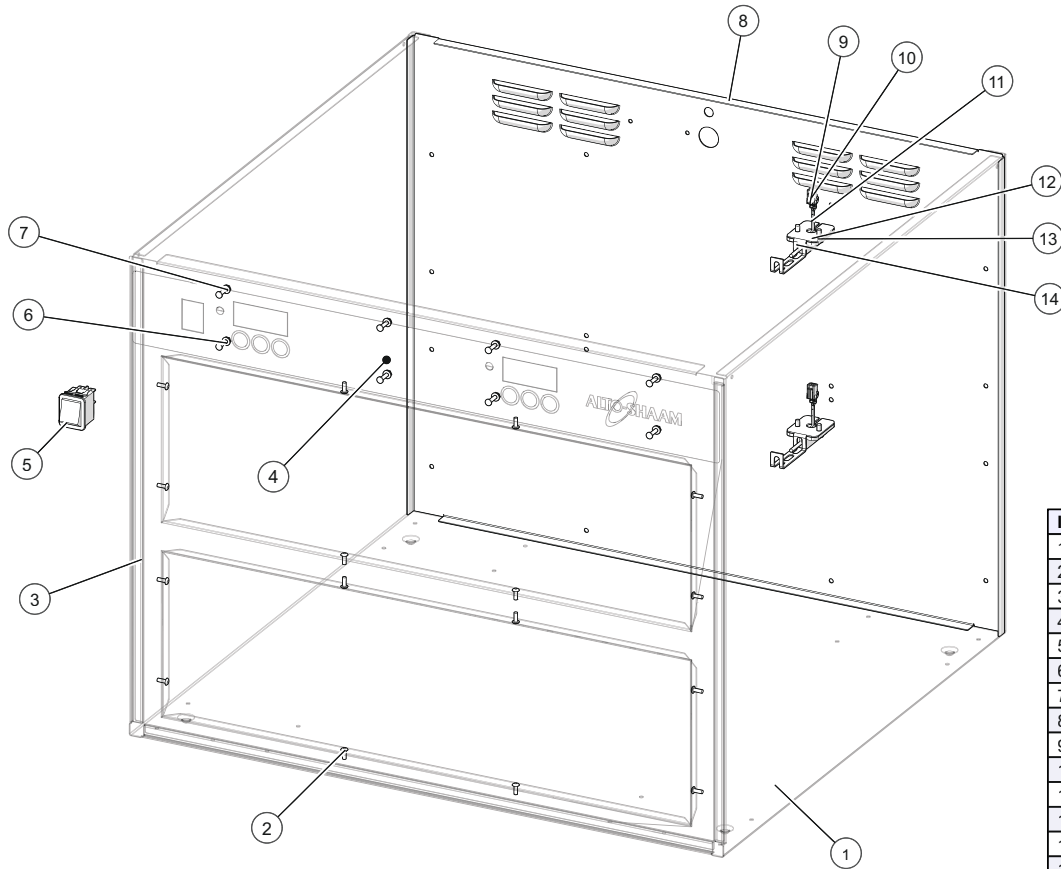
Control Package, 500-2DI



ID	Part No.	Description	Qty
1	1034366	OUTER CASING	1
2	RI-38125	RIVET,SEALED, .125"	16
3	5034262	TRIM, FRONT, STUD ASSEMBLY	1
4	PE-47779	OVERLAY,500-2DI,SIMPLE CONTROL	1
5	SW-38665	SWITCH,ROCKER,DPST,20A,125V,	1
6	WS-23148	WASHER, 6-32, FLAT, NYL	8
7	NU-2361	NUT, 6-32 HEX, S/S	8
8	1034365	TRIM, REAR	1
9	CR-34503	CONNECTOR, RECTANGULAR CONTACTS	2
10	CR-34502	CONNECTOR, HOUSING, 2 PORTS	2
11	SN-38111	SENSOR, 1000 OHM, 110" WIRE,	2
12	BK-29605	BLOCK, SENSOR, ELEC. CONTROL	2
13	SC-22273	SCREW,M4x0.7X10MM PAN	4
14	1493	GUARD SENSOR,W/MW	2

5038606_0

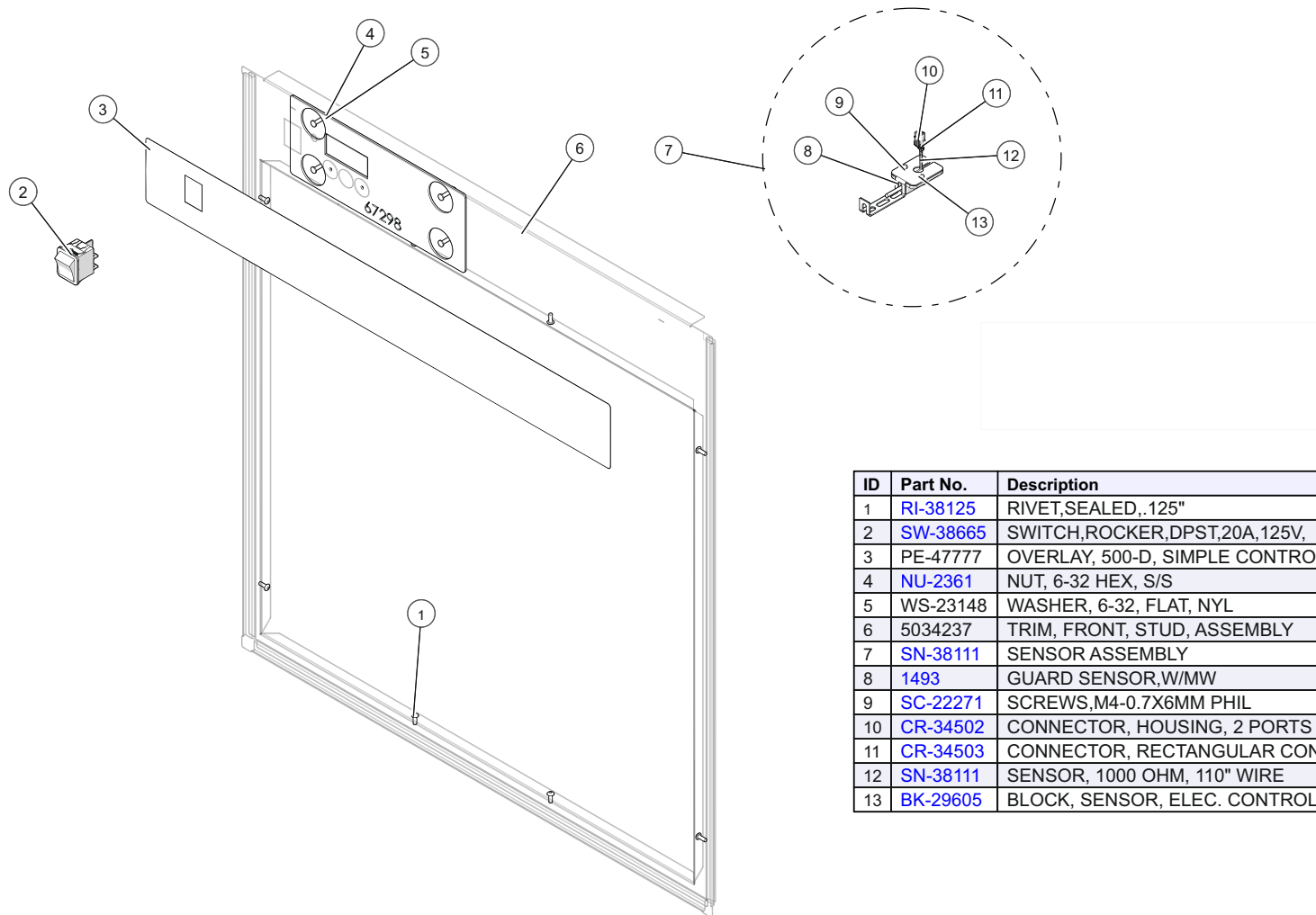
Control Package, 500-2DI



ID	Part No.	Description	Qty
1	1034366	OUTER CASING	1
2	RI-38125	RIVET,SEALED, .125"	16
3	5034262	TRIM, FRONT, STUD ASSEMBLY	1
4	PE-47779	OVERLAY,500-2DI,SIMPLE CONTROL	1
5	SW-38665	SWITCH,ROCKER,DPST,20A,125V,	1
6	WS-23148	WASHER, 6-32, FLAT, NYL	8
7	NU-2361	NUT, 6-32 HEX, S/S	8
8	1034365	TRIM, REAR	1
9	CR-34503	CONNECTOR, RECTANGULAR CONTACTS	2
10	CR-34502	CONNECTOR, HOUSING, 2 PORTS	2
11	SN-38111	SENSOR, 1000 OHM, 110" WIRE,	2
12	BK-29605	BLOCK, SENSOR, ELEC. CONTROL	2
13	SC-22273	SCREW,M4x0.7X10MM PAN	4
14	1493	GUARD SENSOR,W/MW	2

5038606_0

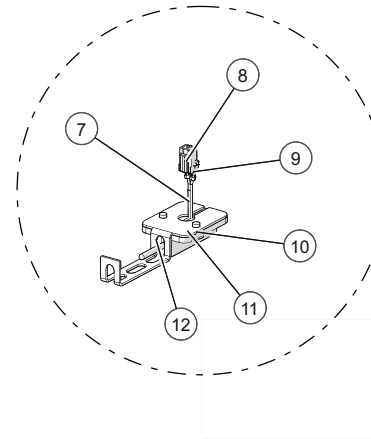
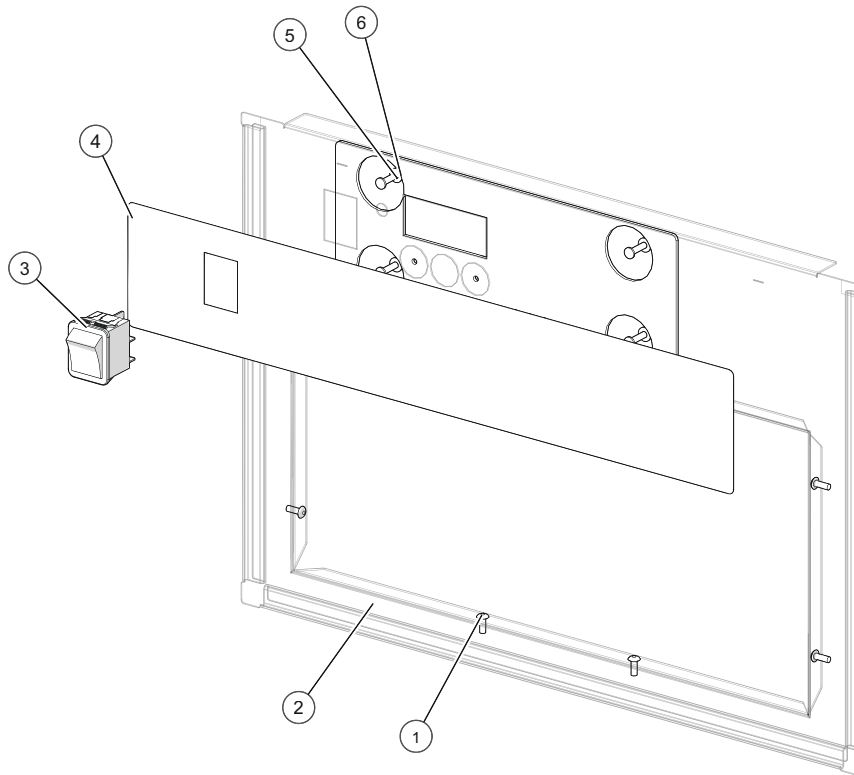
Control Package, 500-3D



ID	Part No.	Description	Qty
1	RI-38125	RIVET,SEALED,.125"	8
2	SW-38665	SWITCH,ROCKER,DPST,20A,125V,	1
3	PE-47777	OVERLAY, 500-D, SIMPLE CONTROL	1
4	NU-2361	NUT, 6-32 HEX, S/S	4
5	WS-23148	WASHER, 6-32, FLAT, NYL	4
6	5034237	TRIM, FRONT, STUD, ASSEMBLY	1
7	SN-38111	SENSOR ASSEMBLY	1
8	1493	GUARD SENSOR,W/MW	1
9	SC-22271	SCREWS,M4-0.7X6MM PHIL	2
10	CR-34502	CONNECTOR, HOUSING, 2 PORTS	1
11	CR-34503	CONNECTOR, RECTANGULAR CONTACTS	2
12	SN-38111	SENSOR, 1000 OHM, 110" WIRE	1
13	BK-29605	BLOCK, SENSOR, ELEC. CONTROL	1

5038618_0

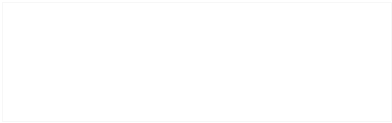
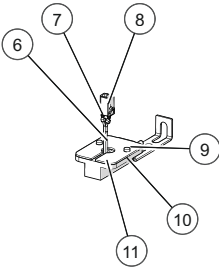
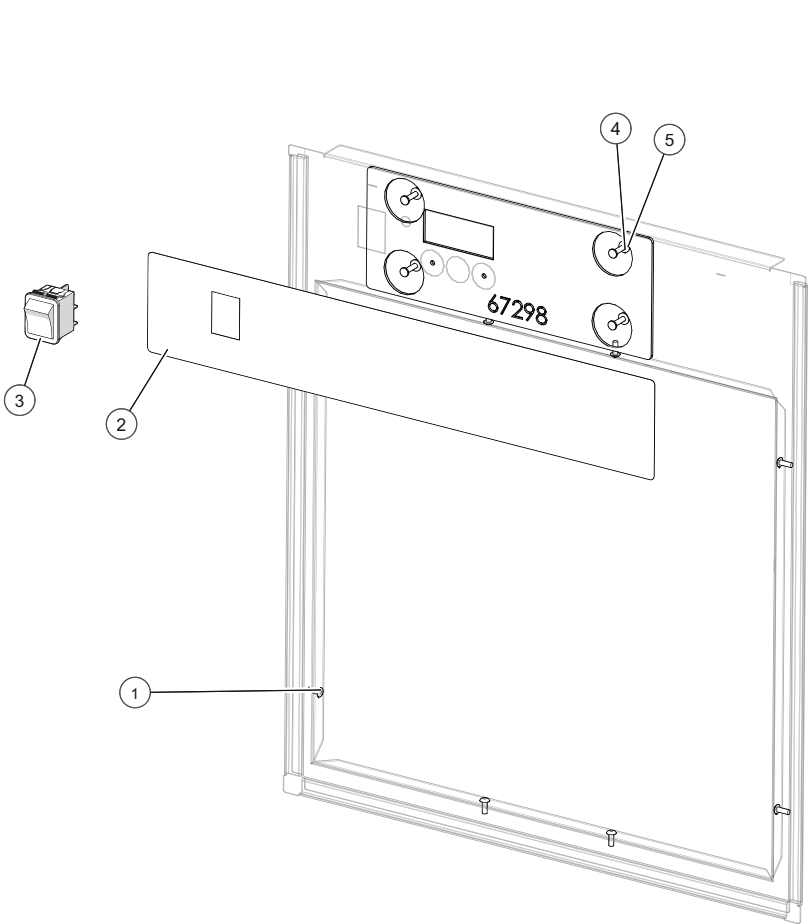
Control Package, 500-1DN



ID	Part No.	Description	Qty
1	RI-38125	RIVET,SEALED,.125"	8
2	5034231	500-1DN FRONT TRIM STUD ASSB	1
3	SW-38665	SWITCH,ROCKER,DPST,20A,125V,	1
4	PE-47778	OVERLAY,500-DN, SIMPLE CONTROL	1
5	WS-23148	WASHER, 6-32, FLAT, NYL	4
6	NU-2361	NUT, 6-32 HEX, S/S	4
7	SN-38111	SENSOR, 1000 OHM, 110" WIRE	1
8	CR-34502	CONNECTOR, HOUSING, 2 PORTS	1
9	CR-34503	CONNECTOR, RECTANGULAR CONTACTS	2
10	SC-22271	SCREWS,M4-0.7X6MM PHIL	2
11	BK-29605	BLOCK, SENSOR, ELEC. CONTROL	1
12	1493	GUARD SENSOR,W/MW	1

5038627_0

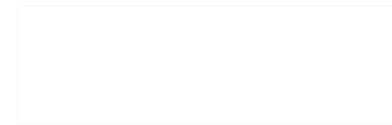
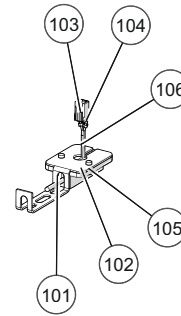
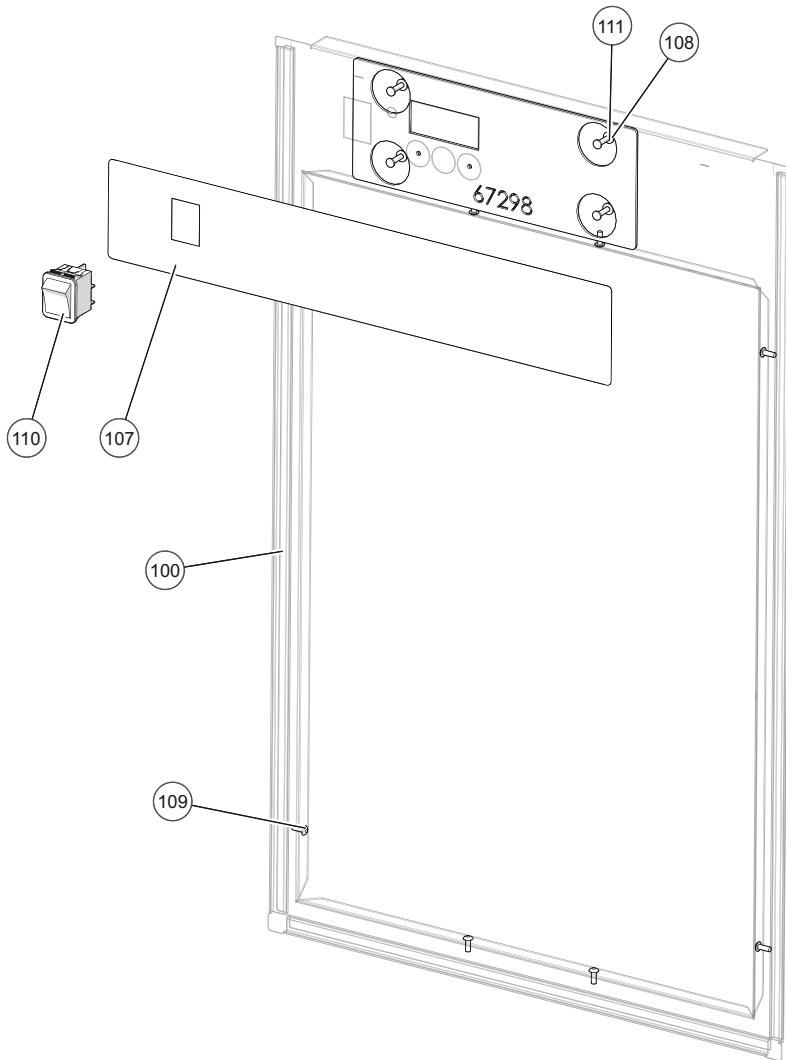
Control Package, 500-2DN



ID	Part No.	Description	Qty
1	RI-38125	RIVET,SEALED,.125"	8
2	PE-47778	OVERLAY,500-DN, SIMPLE CONTROL	1
3	SW-38665	SWITCH,ROCKER,DPST,20A,125V,	1
4	WS-23148	WASHER, 6-32, FLAT, NYL	4
5	NU-2361	NUT, 6-32 HEX, S/S	4
6	SN-38111	SENSOR, 1000 OHM, 110" WIRE	1
7	CR-34503	CONNECTOR, RECTANGULAR CONTACTS	2
8	CR-34502	CONNECTOR, HOUSING, 2 PORTS	1
9	1493	GUARD SENSOR,W/MW	1
10	SC-22271	SCREWS,M4-0.7X6MM PHIL	2
11	BK-29605	BLOCK, SENSOR, ELEC. CONTROL	1

5038633_0

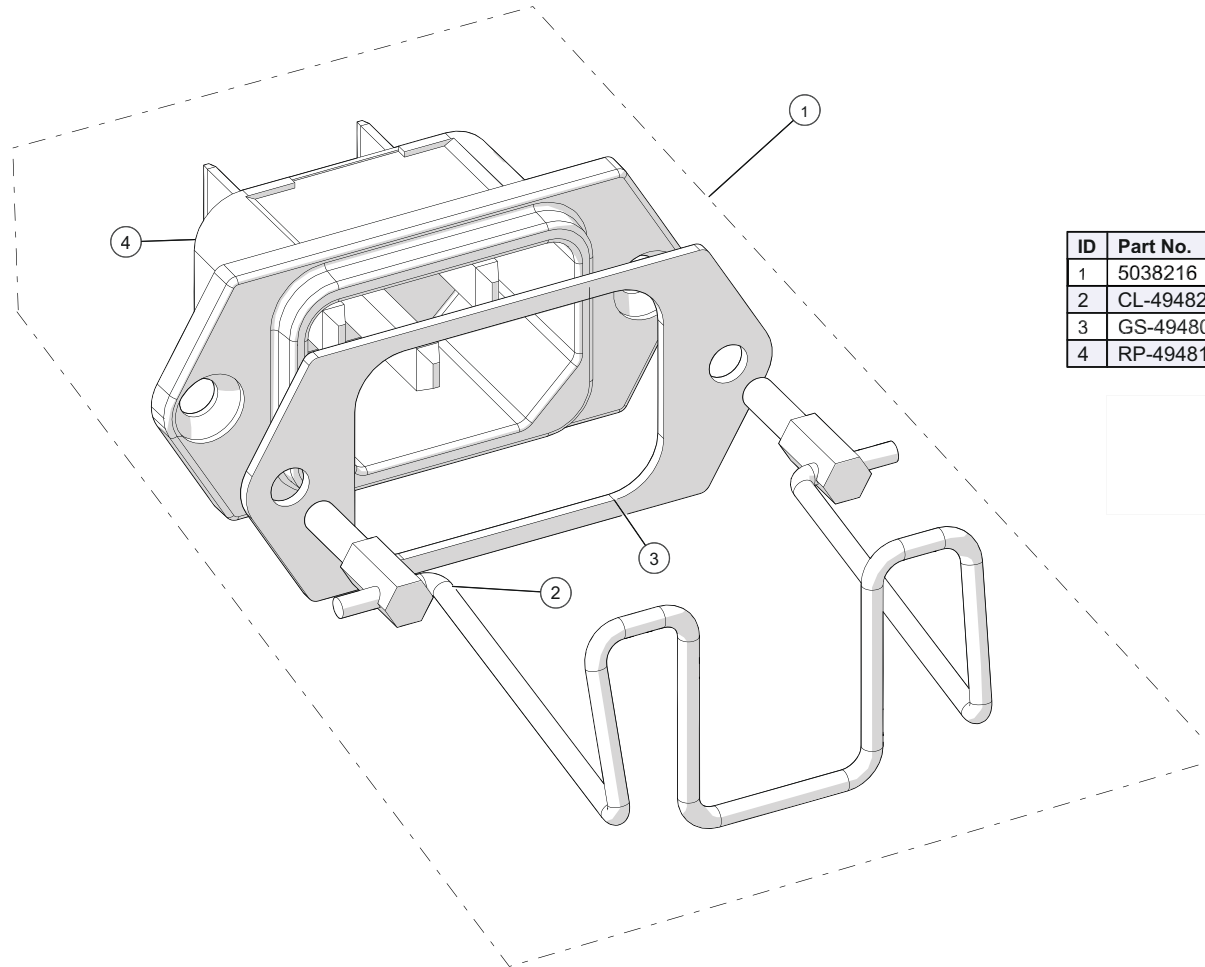
Control Package, 500-3DN



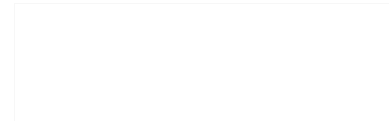
ID	Part No.	Description	Qty
100	5034239	500-3D FRONT TRIM STUD ASSB	1
101	1493	GUARD SENSOR,W/MW	1
102	BK-29605	BLOCK, SENSOR, ELEC. CONTROL	1
103	CR-34502	CONNECTOR, HOUSING, 2 PORTS	1
104	CR-34503	CONNECTOR, RECTANGULAR CONTACTS	2
105	SC-22271	SCREWS,M4-0.7X6MM PHIL	2
106	SN-38111	SENSOR, 1000 OHM, 110" WIRE	1
107	PE-47778	OVERLAY,500-DN, SIMPLE CONTROL	1
108	NU-2361	NUT, 6-32 HEX, S/S	4
109	RI-38125	RIVET,SEALED,.125"	8
110	SW-38665	SWITCH,ROCKER,DPST,20A,125V,	1
111	WS-23148	WASHER, 6-32, FLAT, NYL	4

5038639_0

Receptacle Assembly, C14

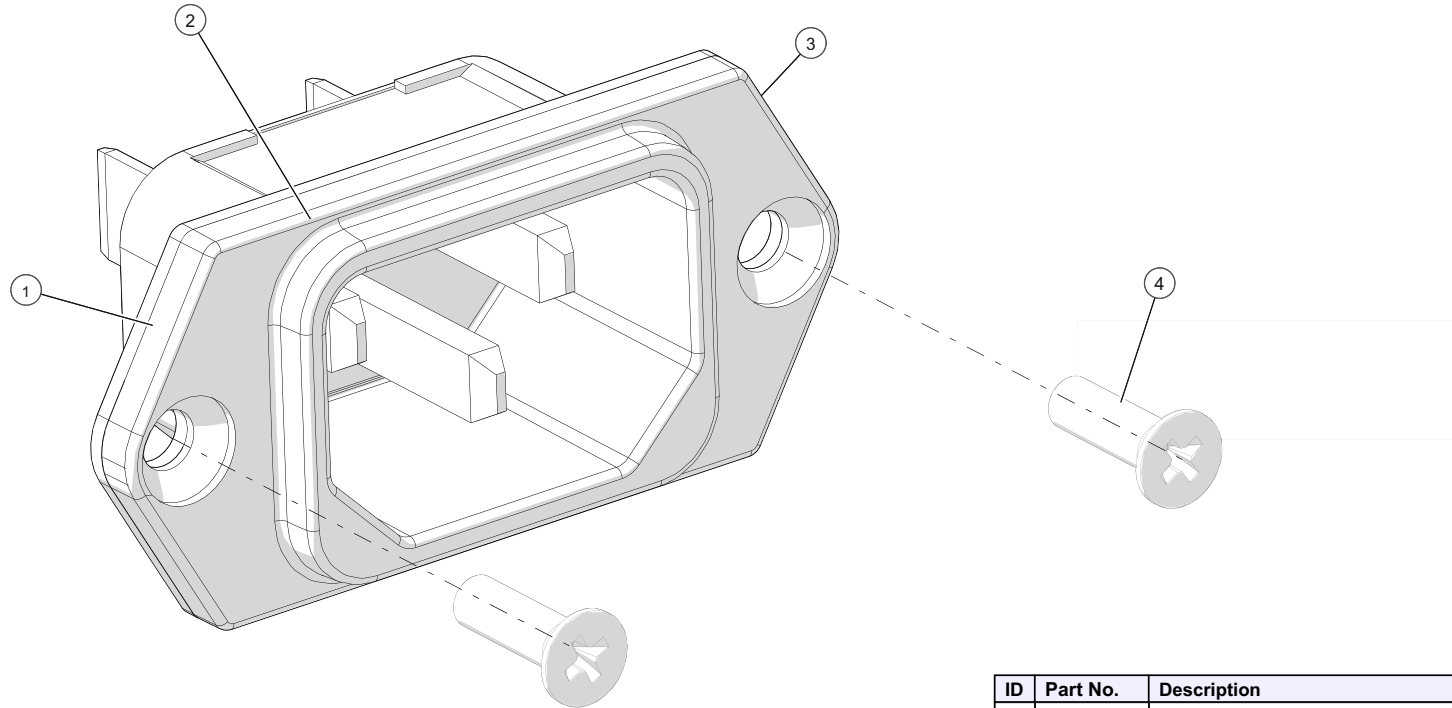


ID	Part No.	Description	Qty
1	5038216	RECEPTACLE ASSY,C14,SEAL,	1
2	CL-49482	CLIP,RETAINING,CORD	1
3	GS-49480	GASKET,RECEPTACLE,C14	1
4	RP-49481	RECEPTACLE,C14,SCREW ON	1



5038216_0

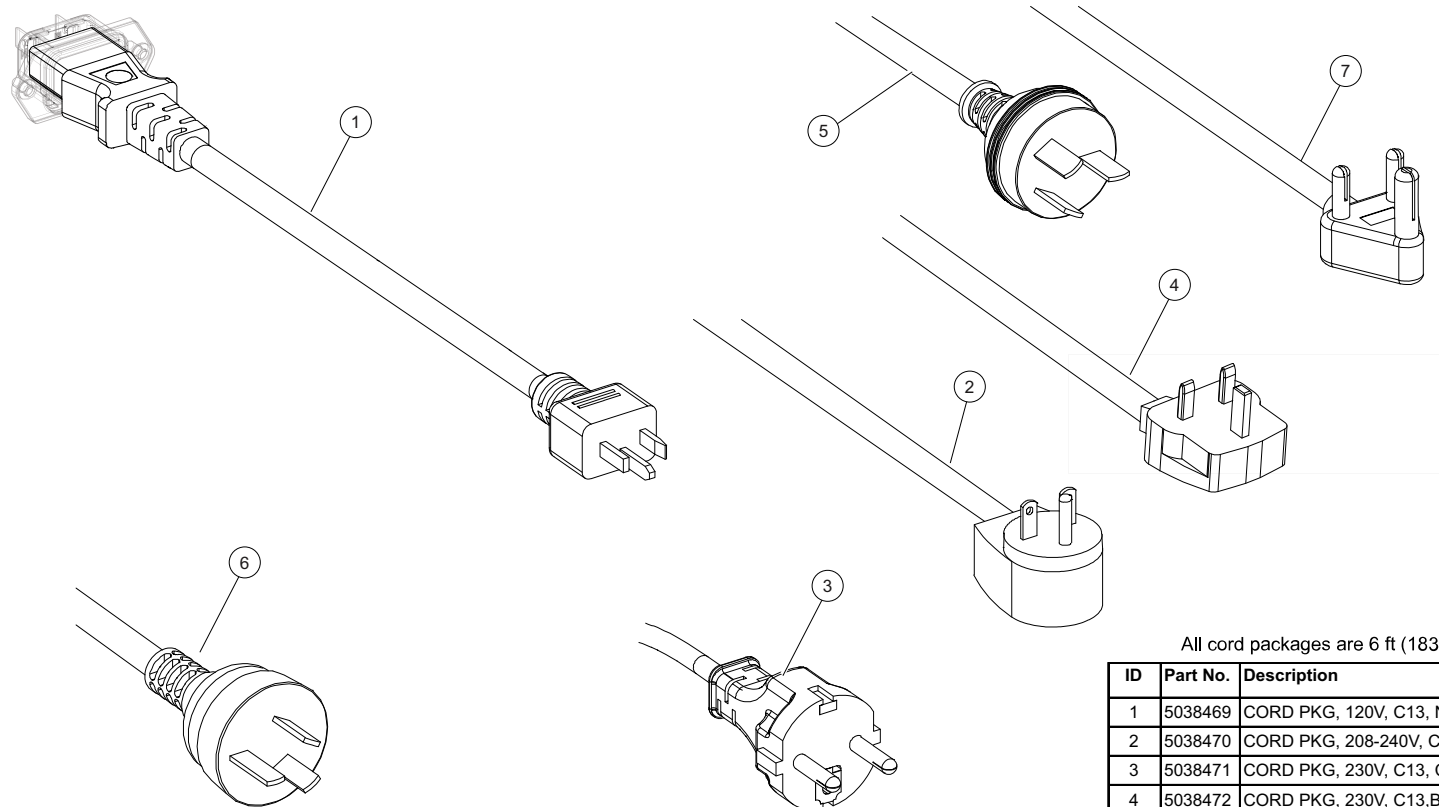
Receptacle Assembly, C14 Seal



ID	Part No.	Description	Qty
1	RP-49481	RECEPTACLE,C14,SCREW ON	1
2	GS-49480	GASKET,RECEPTACLE,C14	1
3	5038217	RECEPTACLE,C14-SEAL,IP54	1
4	SC-23102	SCREW,M3x0.5X10MM FLAT	2

5038416_0

Cord Assemblies

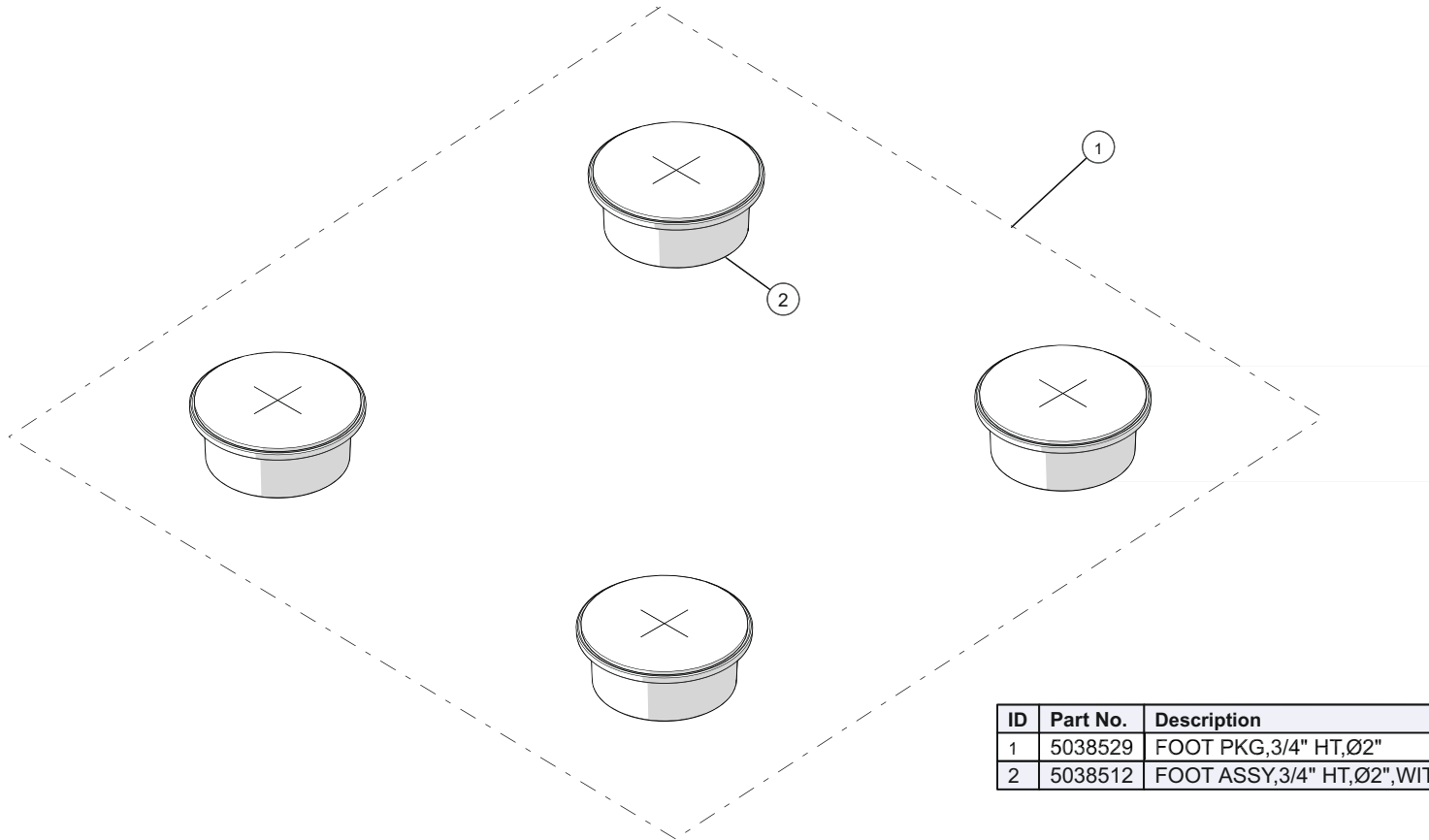


All cord packages are 6 ft (183cm) long

ID	Part No.	Description
1	5038469	CORD PKG, 120V, C13, NEMA 5-15P
2	5038470	CORD PKG, 208-240V, C13, NEMA 6-15P
3	5038471	CORD PKG, 230V, C13, CEEE, 7/7
4	5038472	CORD PKG, 230V, C13, BS-1363
5	5038473	CORD PKG, 230V, C13, CH2-16P
6	5038474	CORD PKG, 230V, AS/NZS 3112-2000
7	5038475	CORD PKG, 230V, C13, TYPE M IN1-16P

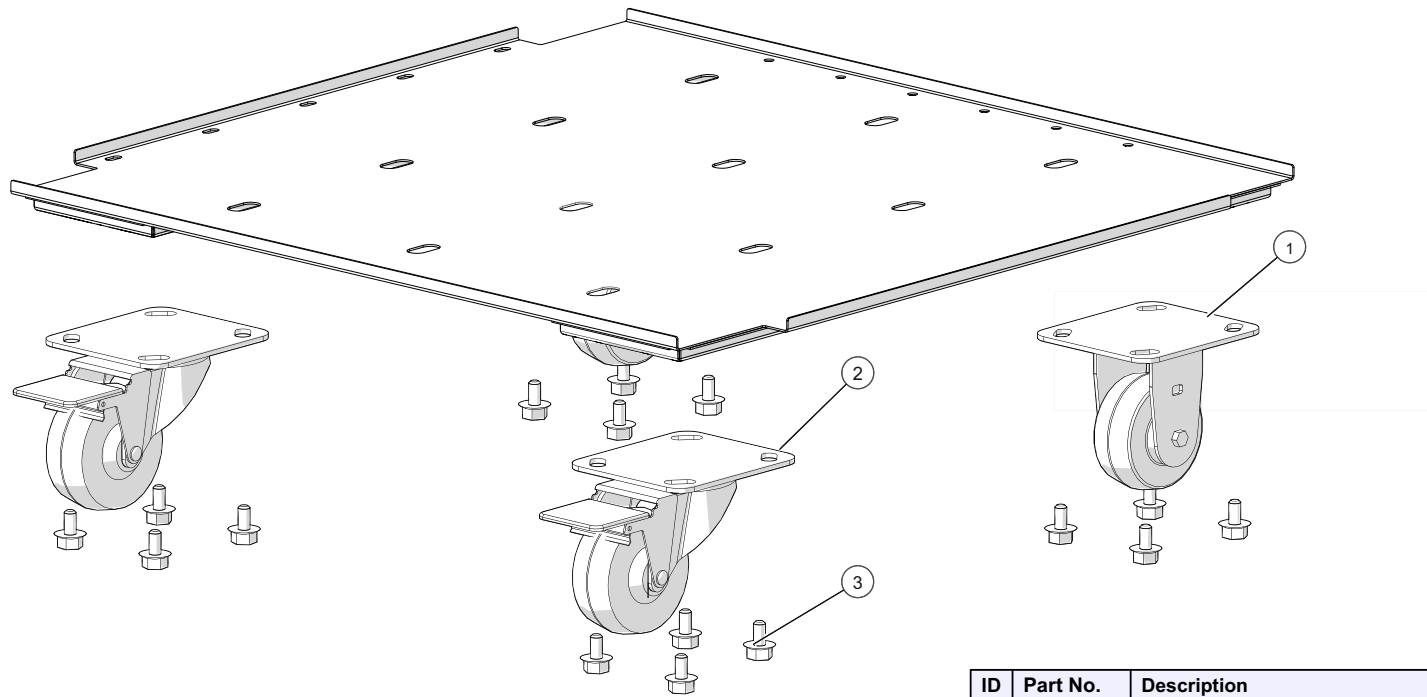
Power Cord Drawings_0

Foot Package



ID	Part No.	Description	Qty
1	5038529	FOOT PKG,3/4" HT,Ø2"	1
2	5038512	FOOT ASSY,3/4" HT,Ø2",WITH TAP	4

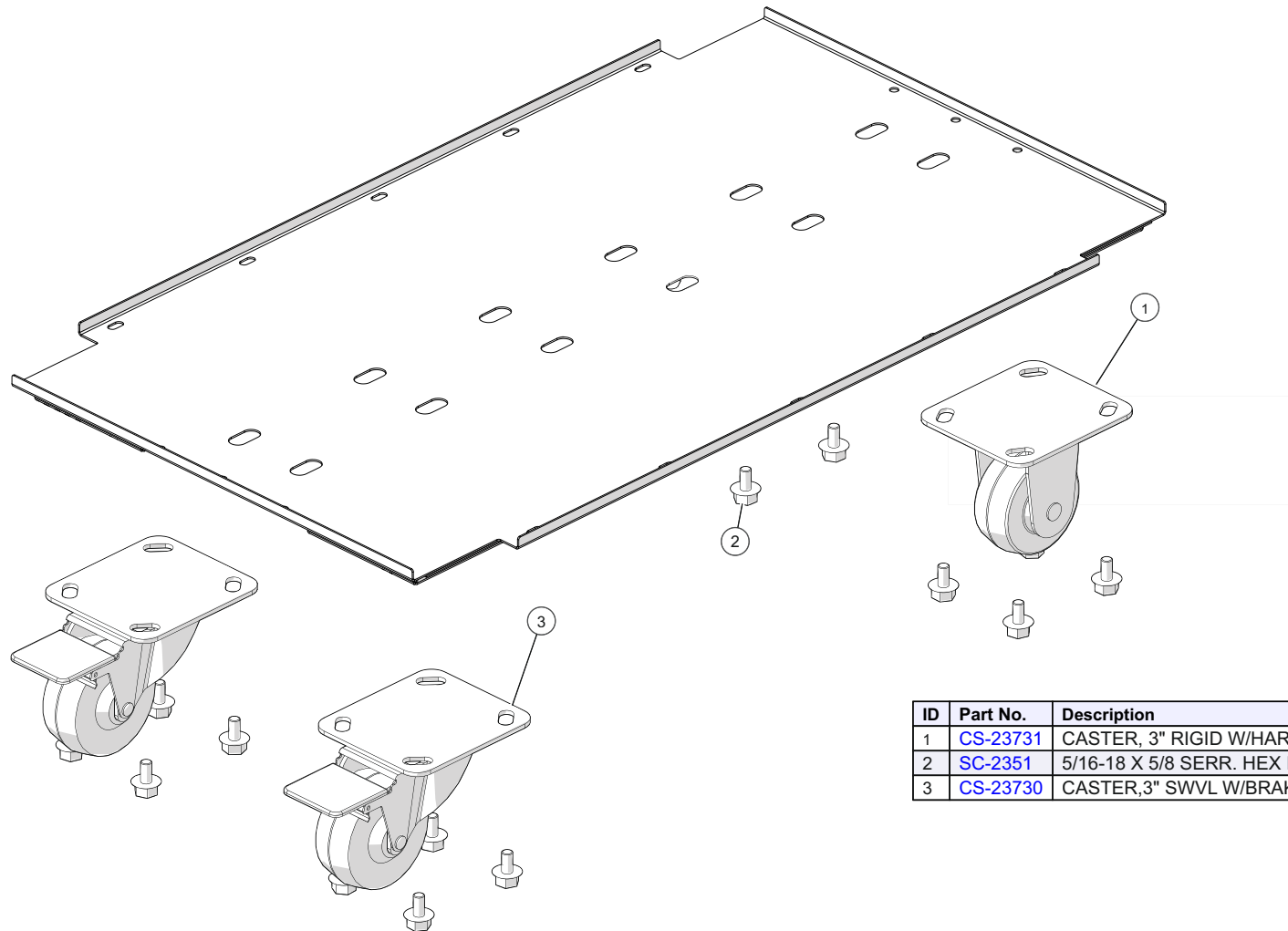
Caster Stand, 500-D, 3 inch



ID	Part No.	Description	Qty
1	CS-23731	CASTER, 3" RIGID W/HARD RUBBER	2
2	CS-23730	CASTER, 3" SWVL W/BRAKE/PLATE	2
3	SC-2351	5/16-18 X 5/8 SERR. HEX HD SCREW	16

5010920_1

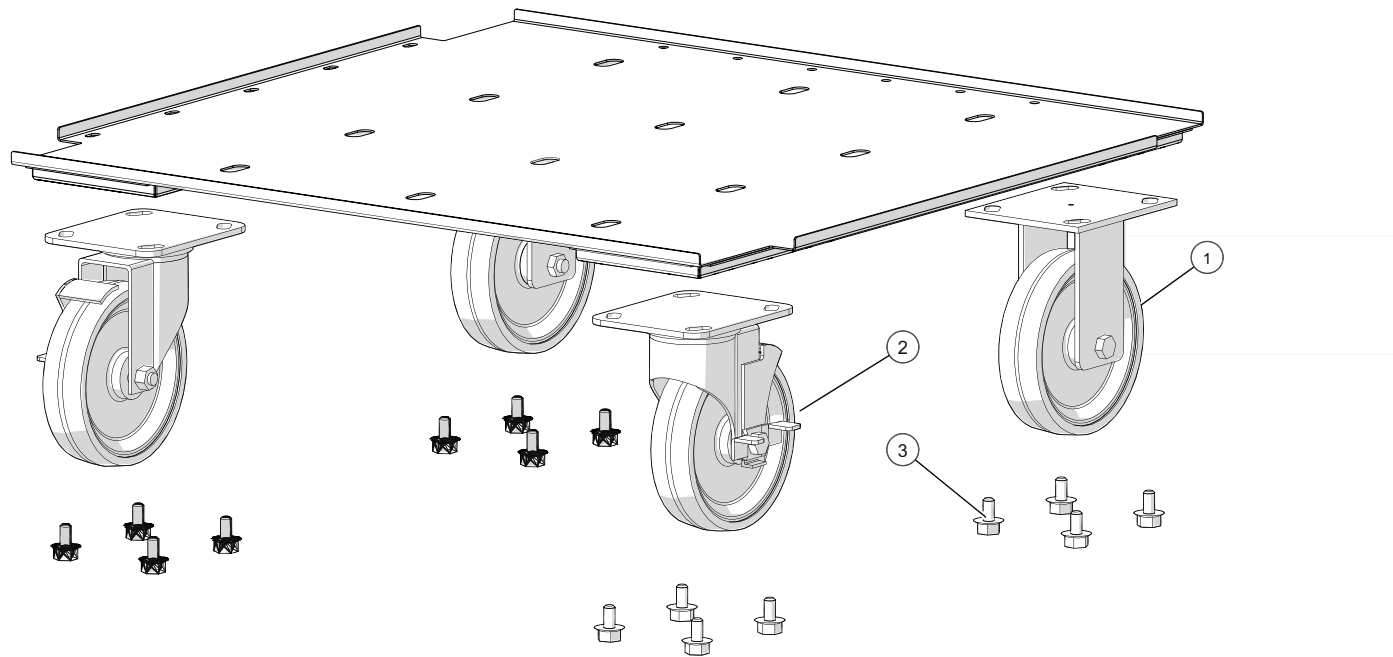
Caster Stand, 500-DN, 3 inch



ID	Part No.	Description	Qty
1	CS-23731	CASTER, 3" RIGID W/HARD RUBBER	2
2	SC-2351	5/16-18 X 5/8 SERR. HEX HD SCREW	16
3	CS-23730	CASTER,3" SWVL W/BRAKE/PLATE	2

5010921_1

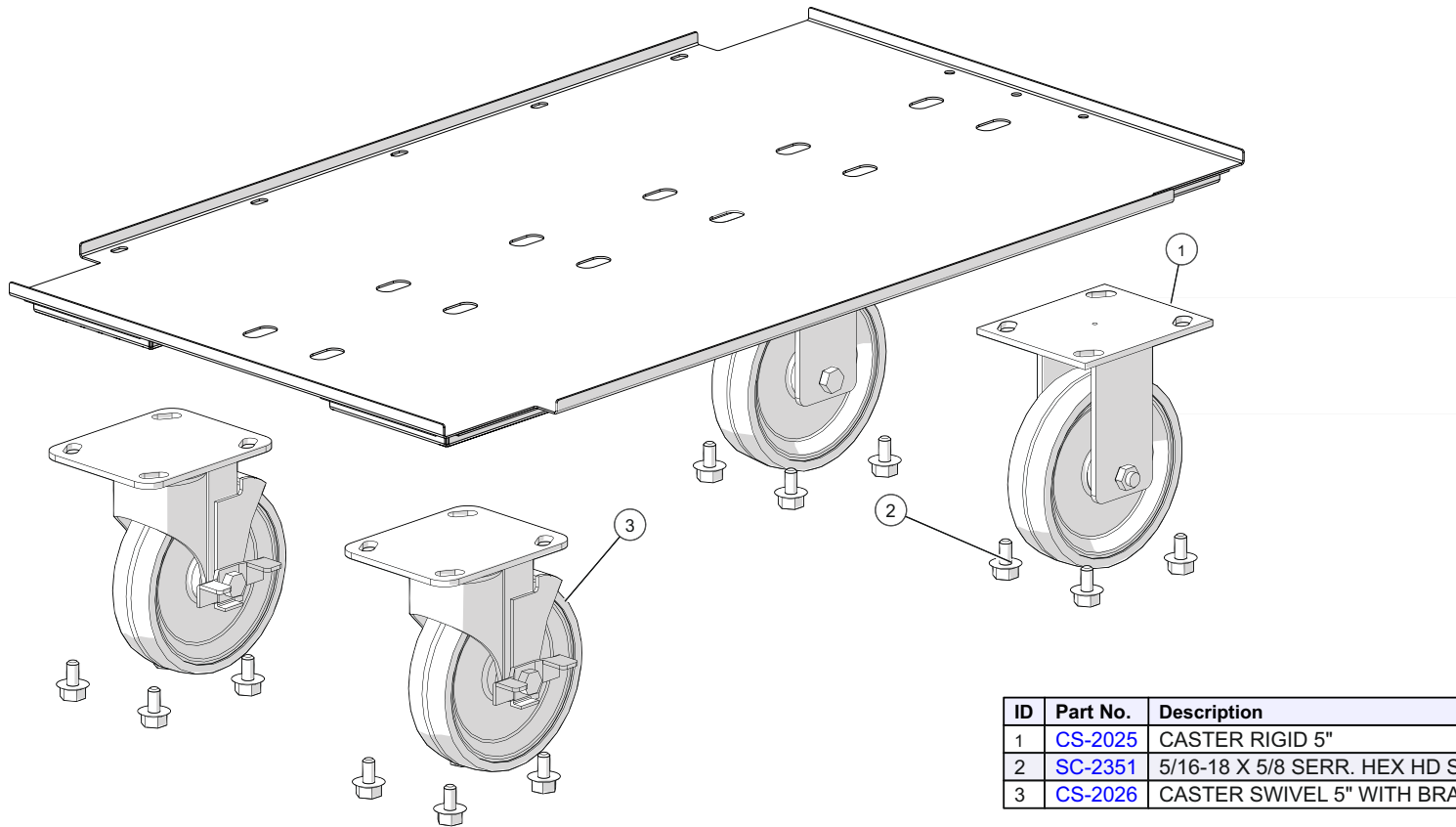
Caster Stand, 500-D, 5 inch



ID	Part No.	Description	Qty
1	CS-2025	CASTER RIGID 5"	2
2	CS-2026	CASTER SWIVEL 5" WITH BRAKE	2
3	SC-2351	5/16-18 X 5/8 SERR. HEX HD SCREW	16

15379_1

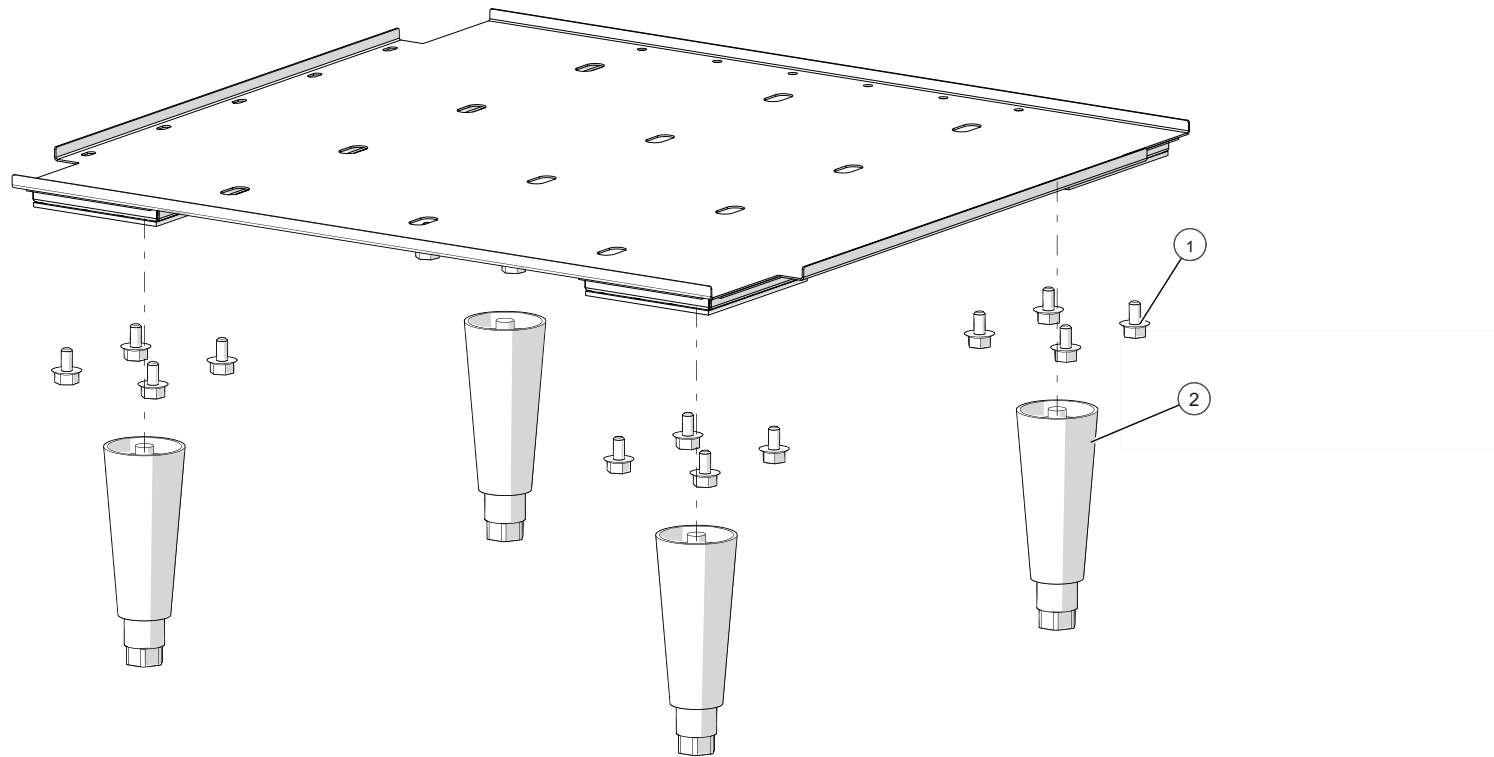
Caster Stand, 500-DN, 5 inch



ID	Part No.	Description	Qty
1	CS-2025	CASTER RIGID 5"	2
2	SC-2351	5/16-18 X 5/8 SERR. HEX HD SCREW	16
3	CS-2026	CASTER SWIVEL 5" WITH BRAKE	2

55534_1

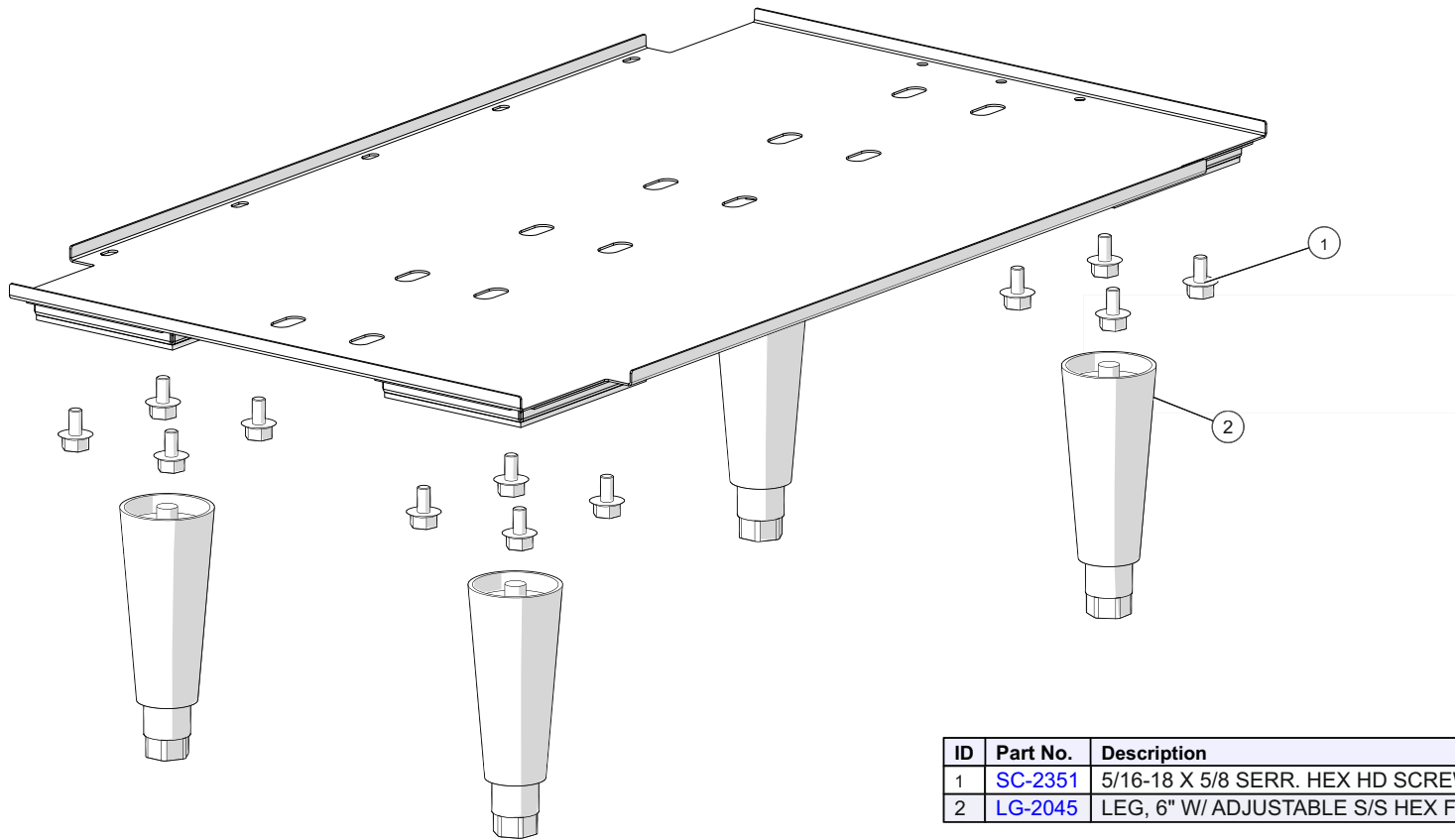
Leg Stand, 500-D



ID	Part No.	Description	Qty
1	SC-2351	5/16-18 X 5/8 SERR. HEX HD SCREW	16
2	LG-2045	LEG, 6" W/ ADJUSTABLE S/S HEX FOOT	4

15380_1

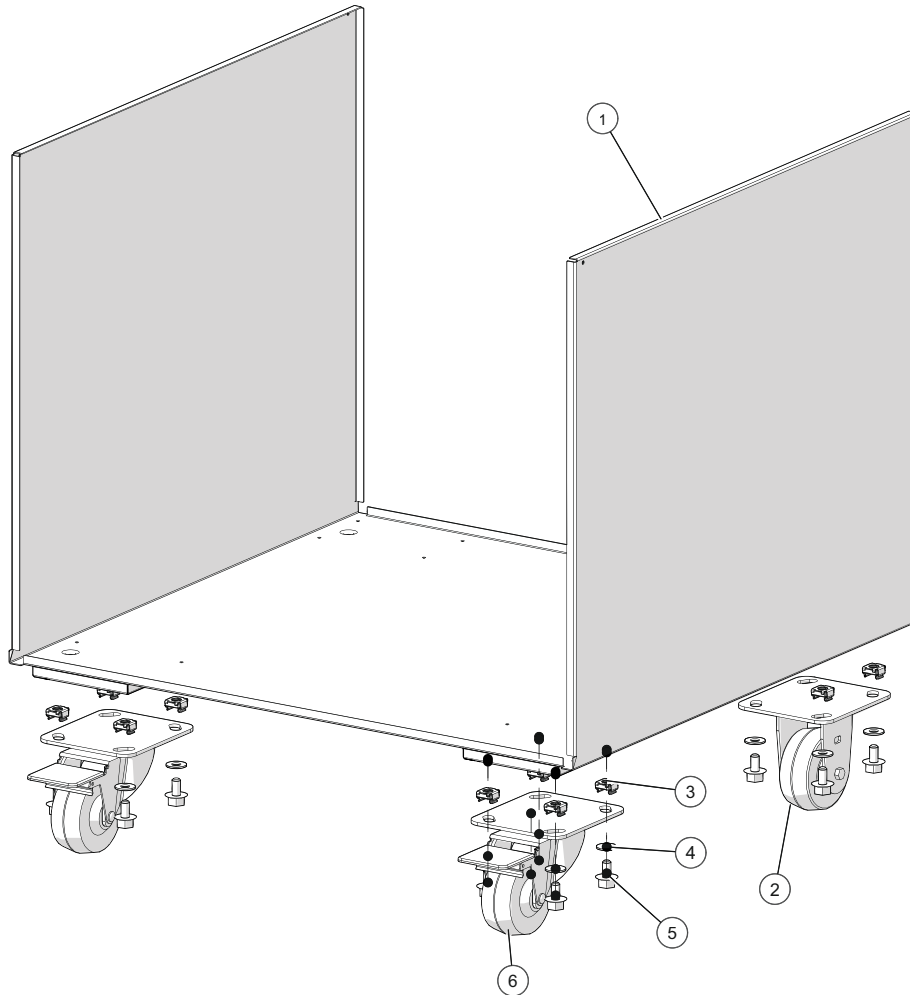
Leg Stand, 500-DN



ID	Part No.	Description	Qty
1	SC-2351	5/16-18 X 5/8 SERR. HEX HD SCREW	16
2	LG-2045	LEG, 6" W/ ADJUSTABLE S/S HEX FOOT	4

55535_1

Caster Support Package, 500-2DI



ID	Part No.	Description	Qty
1	1026119	CASING, OUTER	1
2	CS-23731	CASTER, 3" RIGID W/HARD RUBBER	2
3	NU-39317	NUT, CAGE, 5/16-18 THREAD	16
4	WS-23725	5/16 FLAT WASHER	16
5	SC-2351	5/16-18 X 5/8 SERR. HEX HD SCREW	16
6	CS-23730	CASTER,3" SWVL W/BRAKE/PLATE	2

5026152_0

ALTO-SHAAM.

Menomonee Falls, WI U.S.A.

Phone: 920.770.0714 Fax: 920.771.7000 www.alto-shaam.com