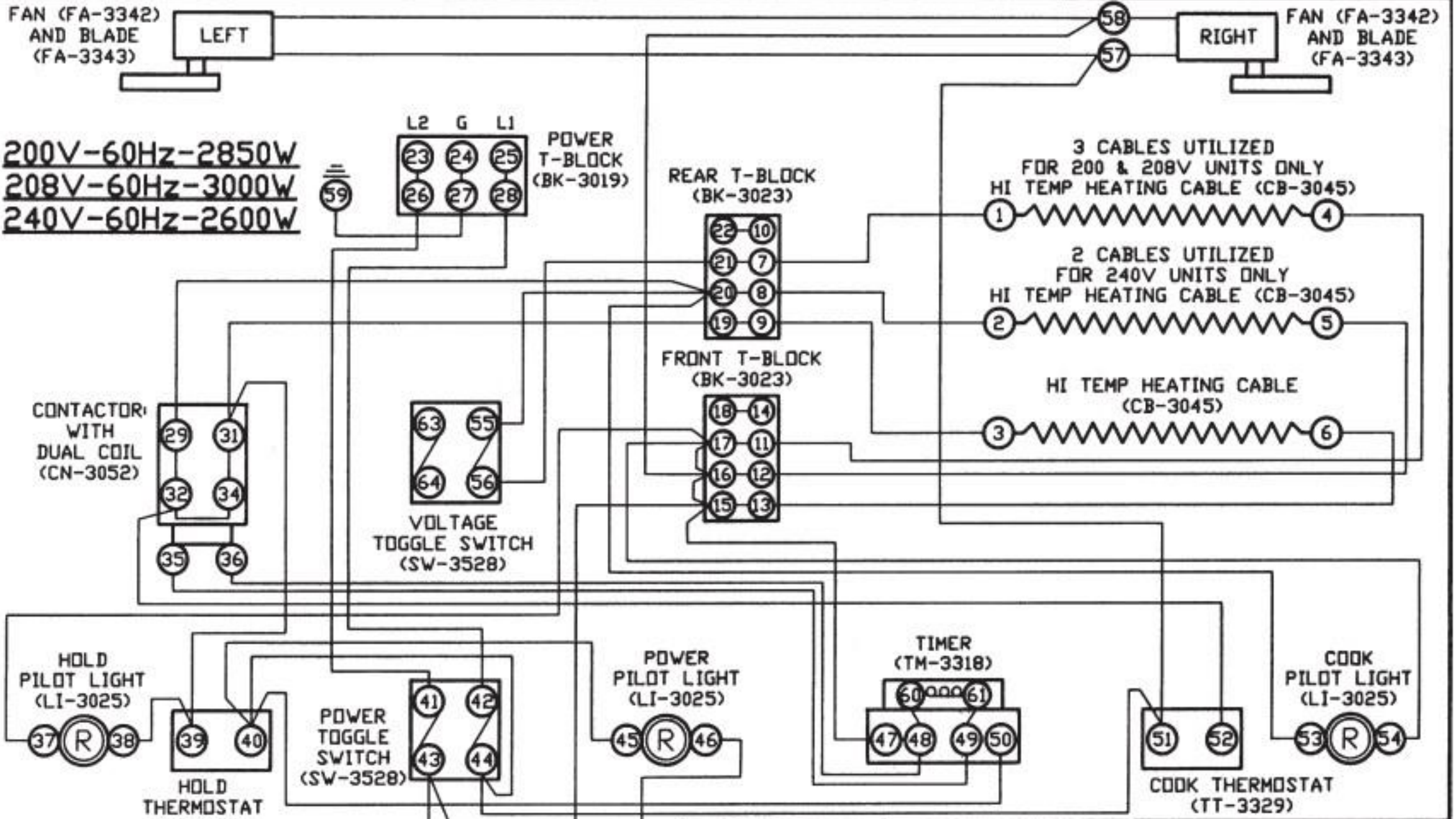


NOTE #1: ALL NUMBERS IN () = ALTO-SHAAM PART No'S
 NOTE #2: SEE DRW. #B-8875 FOR 1000-TH/II WIRE ASSEMBLIES
 NOTE #3: SEE DRW. #B-8876 FOR 750-TH/II WIRE ASSEMBLIES

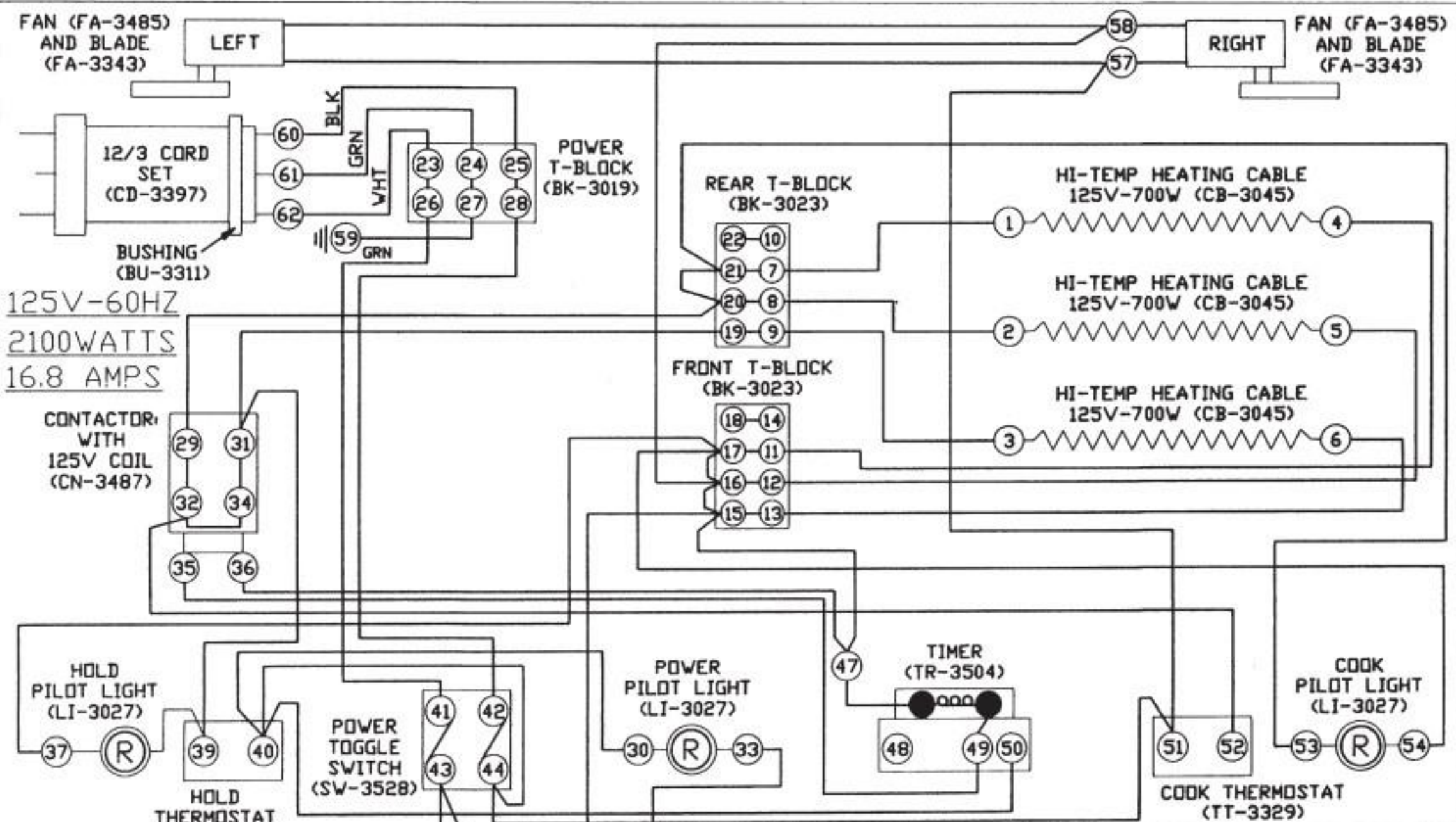
REVISIONS			750,1000-TH/II,CH-100-1		(230V)
NO.	DATE	BY			
5	10-9-85	LLK	WIRING DIAGRAM		
6	9-14-93	RS			
7	04-02-98	RS	ALTO-SHAAM INC. MENOMONEE FALLS, WISCONSIN		
8	12-17-98	JMM			
9	11-02-01	DDF	DRAWN BY ALD	SCALE 1"=1"	DWG. NO.
			APP'D AHL	DATE 1-8-79	A-7137



200V-60Hz-2850W
 208V-60Hz-3000W
 240V-60Hz-2600W

NOTE #1: ALL NUMBERS IN () = ALTO-SHAAM PART No'S
 NOTE #2: SEE DRW. #B-8061 FOR 1000-TH/II WIRE ASSEMBLIES
 NOTE #3: SEE DRW. #B-8062 FOR 750-TH/II WIRE ASSEMBLIES

REVISIONS			750,1000-TH/II	(200,208,240V)
ND.	DATE	BY	WIRING DIAGRAM ALTO-SHAAM INC. MENOMONEE FALLS, WISCONSIN	
10	4-11-84	LLK		
11	10-4-85	LLK		
12				
13				
DRAWN BY ALD			SCALE 1"=1"	DWG. NO.
APP'D <i>ALD</i>			DATE 9-7-79	A-7023

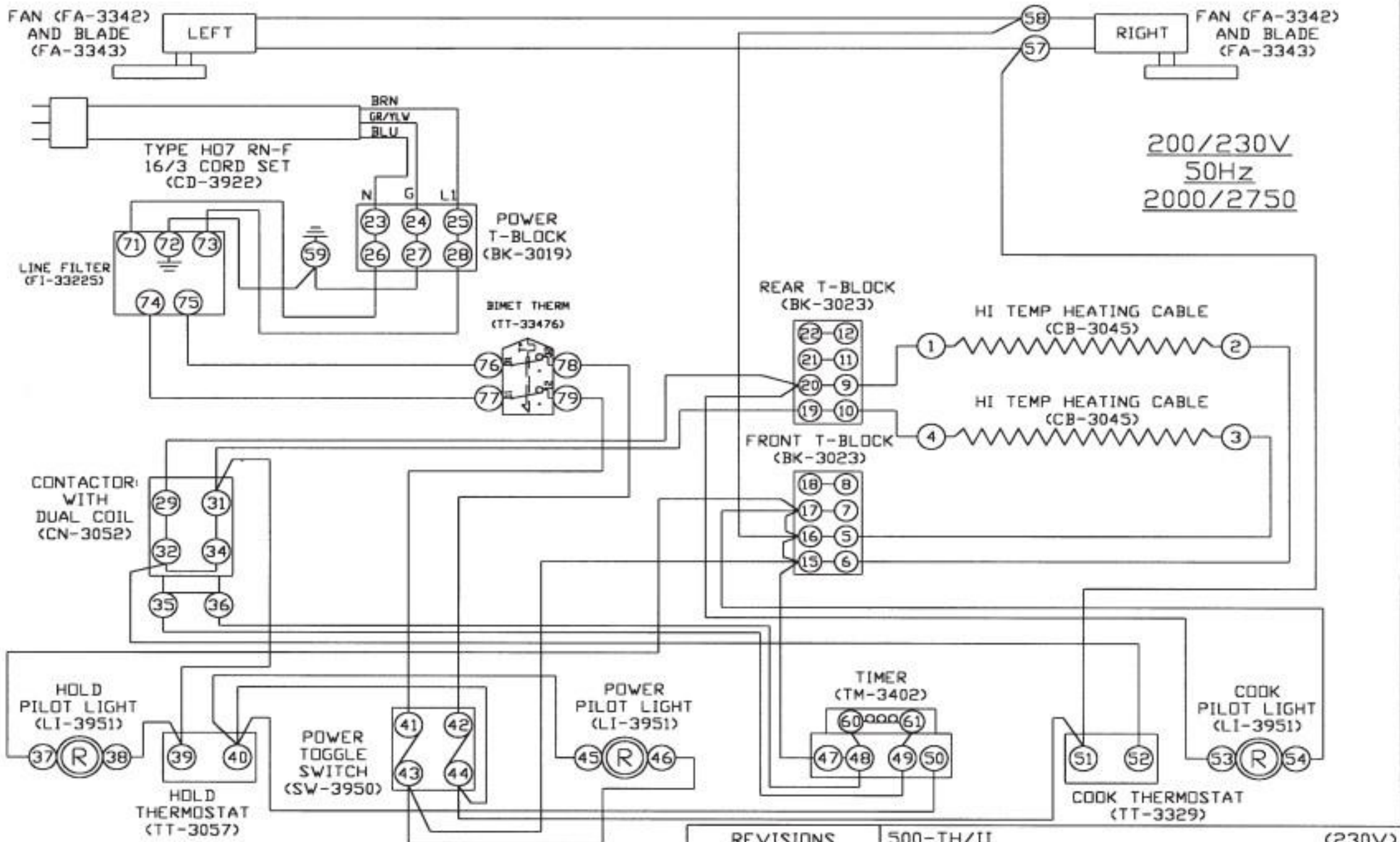


125V-60HZ
 2100WATTS
 16.8 AMPS

NOTE #1: ALL NUMBERS IN () = ALTO-SHAAM PART No'S
 NOTE #2: SEE DRW. #B-8421 FOR 750-TH/II WIRE ASSEMBLIES
 NOTE #3: SEE DRW. #B-8557 FOR 1000-TH/II WIRE ASSEMBLIES

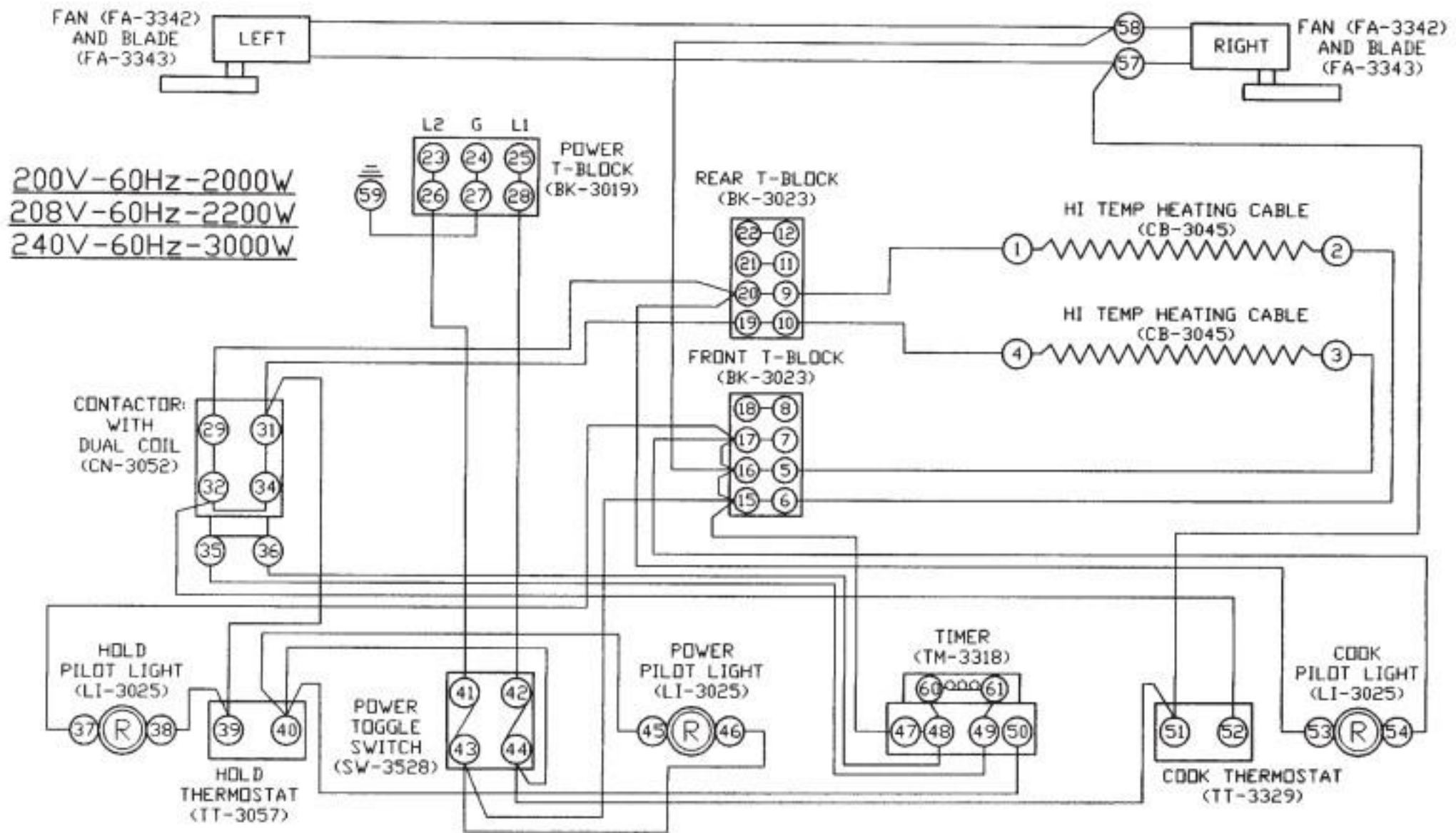
REVISIONS		
NO.	DATE	BY
1	1-7-83	ALD
2	8-24-84	LLK
3	2-5-85	LLK
4	10-4-85	LLK
5		

750,1000-TH/II (125V)
WIRING DIAGRAM
ALTO-SHAAM INC.
 MEMMONEE FALLS, WISCONSIN
 DRAWN BY DAR SCALE 1"=1" DWG. NO.
 APP'D *[Signature]* DATE 9-7-79 A-7206



NOTE #1: ALL NUMBERS IN () = ALTO-SHAAM PART No'S
 NOTE #2: SEE DRW. #B-8877 FOR WIRE ASSEMBLIES

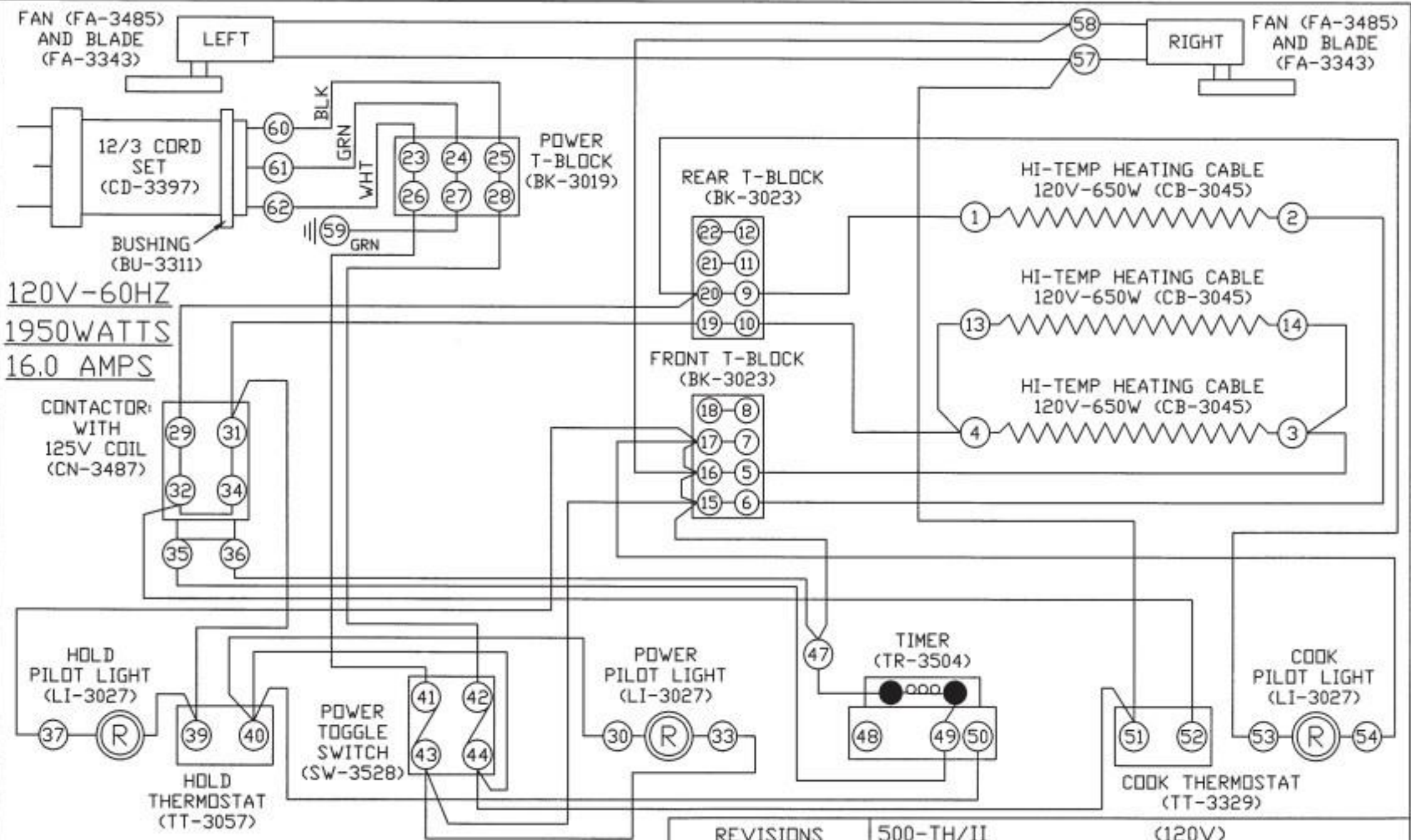
REVISIONS			500-TH/II	(230V)	
NO.	DATE	BY			
9	12/17/98	JMM	WIRING DIAGRAM ALTO-SHAAM INC. MENOMONEE FALLS, WISCONSIN		
10	4/14/99	JMM			
11					
12			DRAWN BY ALO	SCALE 1"=1'	DWG. NO.
13			APP'D MSM	DATE 1-8-79	A-7136



NOTE #1: ALL NUMBERS IN () = ALTO-SHAAM PART No'S

NOTE #2: SEE DRW. #B-8063 FOR WIRE ASSEMBLIES

REVISIONS			500-TH/II	(200,208,240V)	
NO.	DATE	BY	WIRING DIAGRAM		
10	4-11-84	LLK			
11	12-4-84	LLK			
12	10-8-85	LLK			
13			ALTO-SHAAM INC. MEMONONEE FALLS, WISCONSIN		
14					
			DRAWN BY ALD	SCALE 1"=1"	DWG. NO.
			APP'D <i>AR</i>	DATE 9-10-79	A-7029



NOTE #1: ALL NUMBERS IN () = ALTO-SHAAM PART No'S
 NOTE #2: SEE DRW. #B-8432 FOR WIRE ASSEMBLIES

REVISIONS		
NO.	DATE	BY
1	12-28-82	ALD
2	1-7-83	ALD
3	8-24-84	LLK
4	2-5-85	LLK
5	10-3-85	LLK
6	09/10/02	CJB

500-TH/II (120V)
WIRING DIAGRAM
ALTO-SHAAM INC.
 MENOMONEE FALLS, WISCONSIN
 DRAWN BY DAR SCALE 1"=1" DWG. NO.
 APP'D PED DATE 9-7-79 **A-7207**