

Cook & Hold Ovens Smoker Ovens

Deluxe Control

300-TH	750-SK
500-TH	1000-SK
750-TH	1200-SK
1000-TH	1750-SK
1200-TH	
1750-TH	



Manufacturer's Information

Copyright © Copyright 8/2022 by Alto-Shaam, Inc.
 All rights reserved.
 This manual or any portion thereof may not be reproduced or used in any manner whatsoever without the express written permission of Alto-Shaam, Inc

Trademarks All trademarks referenced in this documentation are the property of their respective owners.

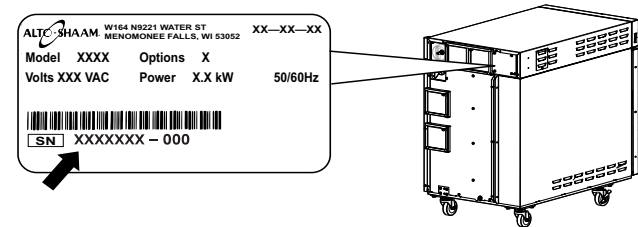
Manufacturer Alto-Shaam, Inc.
 P.O. Box 450
 W164 N9221 Water Street
 Menomonee Falls, WI 53052

Models Covered

300-TH 500-TH 750-TH 1000-TH 1200-TH 1750-TH 750-SK 1000-SK 1200-SK 1750-SK	US (UL Certified) Models International (CE Certified) Models
--	---

Serial Number The unit serial number is required for ordering the correct service parts. Record the unit serial number in the space provided below.

Serial Number



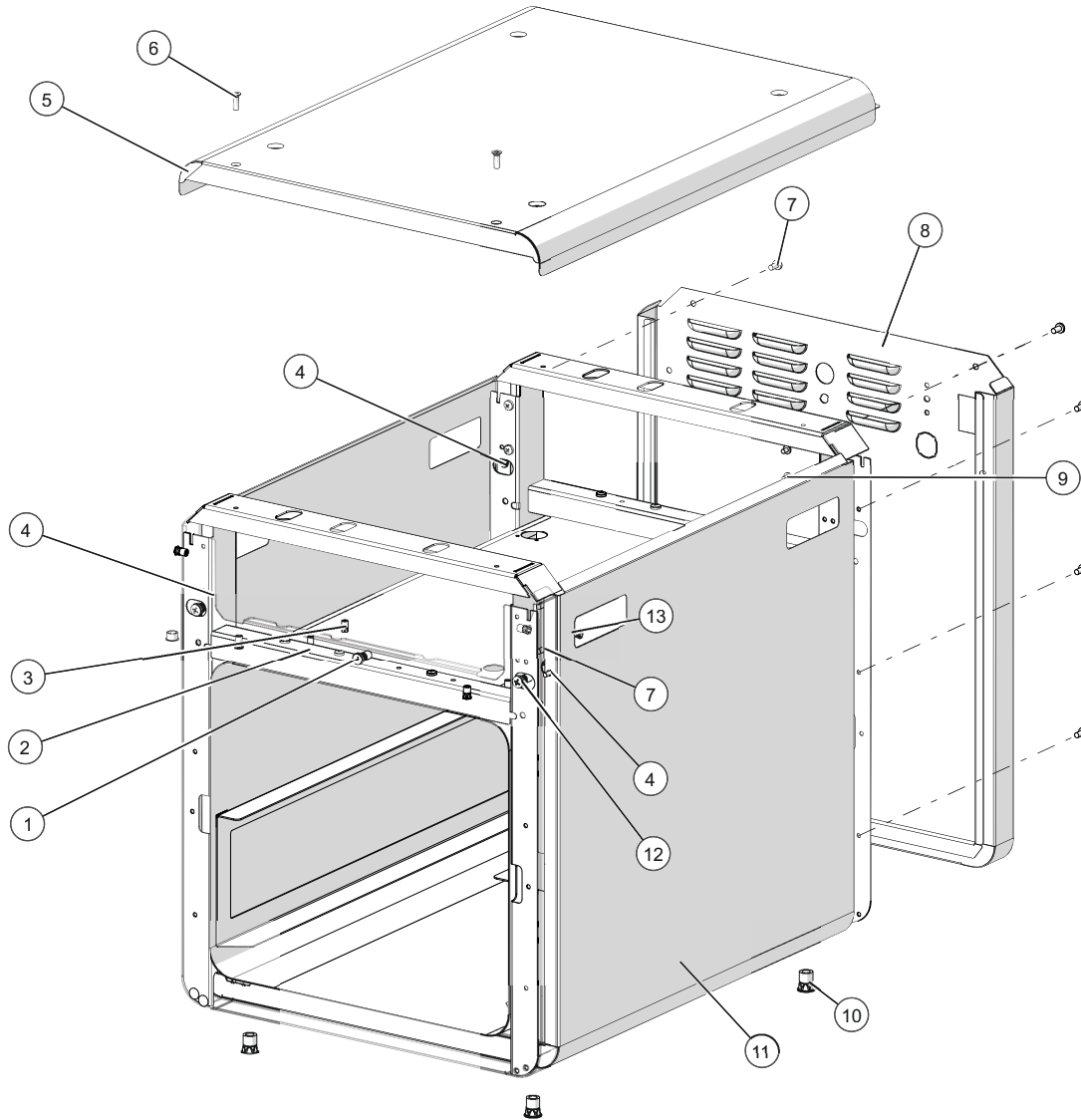
Parts Ordering Information Original manufacturer's replacement parts may be ordered directly from the Alto-Shaam network of Authorized Service Agents and Parts Distributors. Follow this link for a map to a local partner: <https://www.alto-shaam.com/en/how-to-buy>. If you are an Authorized Service Agent or Parts Distributor, please submit your purchase order to parts@alto-shaam.com.

Non-OEM parts may be substituted; however, these parts must be of equal quality and specifications as those provided by Alto-Shaam.

Table of Contents

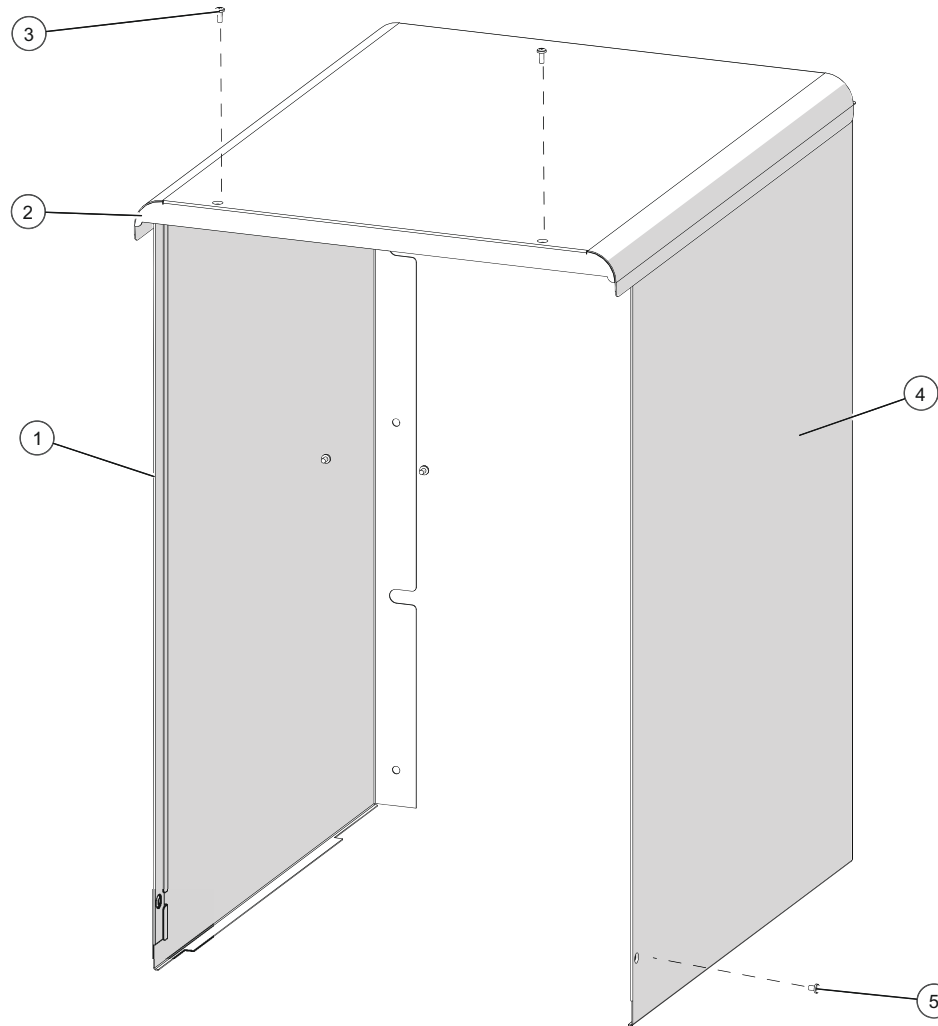
Manufacturer’s Information	2	Electrical Chassis, 120V, 500 Series.....	38
Table of Contents	3	Electrical Chassis, 120V, 750/1000 Series.....	39
Exterior Panels Package, 300 Series	4	Electrical Chassis, 208-240V, 230V, 300 Series	40
Exterior Panels Package 500 Series	5	Electrical Chassis,208-240V, 230V, 500 Series	41
Exterior Panels Package 750 Series	6	Electrical Chassis,208-240V, 230V, 750/1000 Series	42
Exterior Panels Package 1000 Series	7	Electrical Chassis, 208-240V, 230V, 1200/1750 Series	43
Exterior Panels Package 1200 Series	8	Electrical Cords, Cord Sets, and Bushings	44
Exterior Panels Package 1750 Series	9	Cables and Cable Wraps.....	45
Base Unit Package “A”, 300 Series.....	10	Probe Packages.....	46
Base Unit Package “A”, 500 Series.....	11	Smoker Elements	47
Base Unit Package “A”, 750 Series.....	12	Extended Drip Trays	48
Base Unit Package “B”, 750 Series.....	13	Bumpers.....	49
Base Unit Package “A”, 1000 Series.....	14	Caster and Leg Assemblies.....	50
Base Unit Package “B”, 1000 Series.....	15		
Base Unit Package “A”, 1200 Series.....	16		
Base Unit Package “B”, 1200 Series.....	17		
Base Unit Package “A”, 1750 Series.....	18		
Base Unit Package “B”, 1750 Series.....	19		
Control Package, Deluxe, 300 Series	20		
Control Package, Deluxe, 500 Series	21		
Control Package, Deluxe, 750/1750 Series.....	22		
Control Package, Deluxe, 1000/1200 Series	23		
Door Assembly, Solid, Deluxe 300 Series	24		
Door Assembly, Solid, RH, Deluxe 500 Series	25		
Door Assembly, Solid, LH, Deluxe 500 Series	26		
Door Assembly, Window, RH, Deluxe 500 Series	27		
Door Assembly, Window, LH, Deluxe 500 Series.....	28		
Door Assembly, Solid, RH, Deluxe 750/1750 Series	29		
Door Assembly, Solid, LH, Deluxe 750/1750 Series	30		
Door Assembly, Window, RH, Deluxe 750/1750 Series	31		
Door Assembly, Window, LH, Deluxe 750/1750 Series.....	32		
Door Assembly, Solid, RH, Deluxe 1000/1200 Series.....	33		
Door Assembly, Solid, LH, Deluxe 1000/1200 Series	34		
Door Assembly, Window, RH, Deluxe 1000/1200 Series	35		
Door Assembly, Window, LH, Deluxe 1000/1200 Series.....	36		
Electrical Chassis, 120V, 300 Series.....	37		

Exterior Panels Package, 300 Series



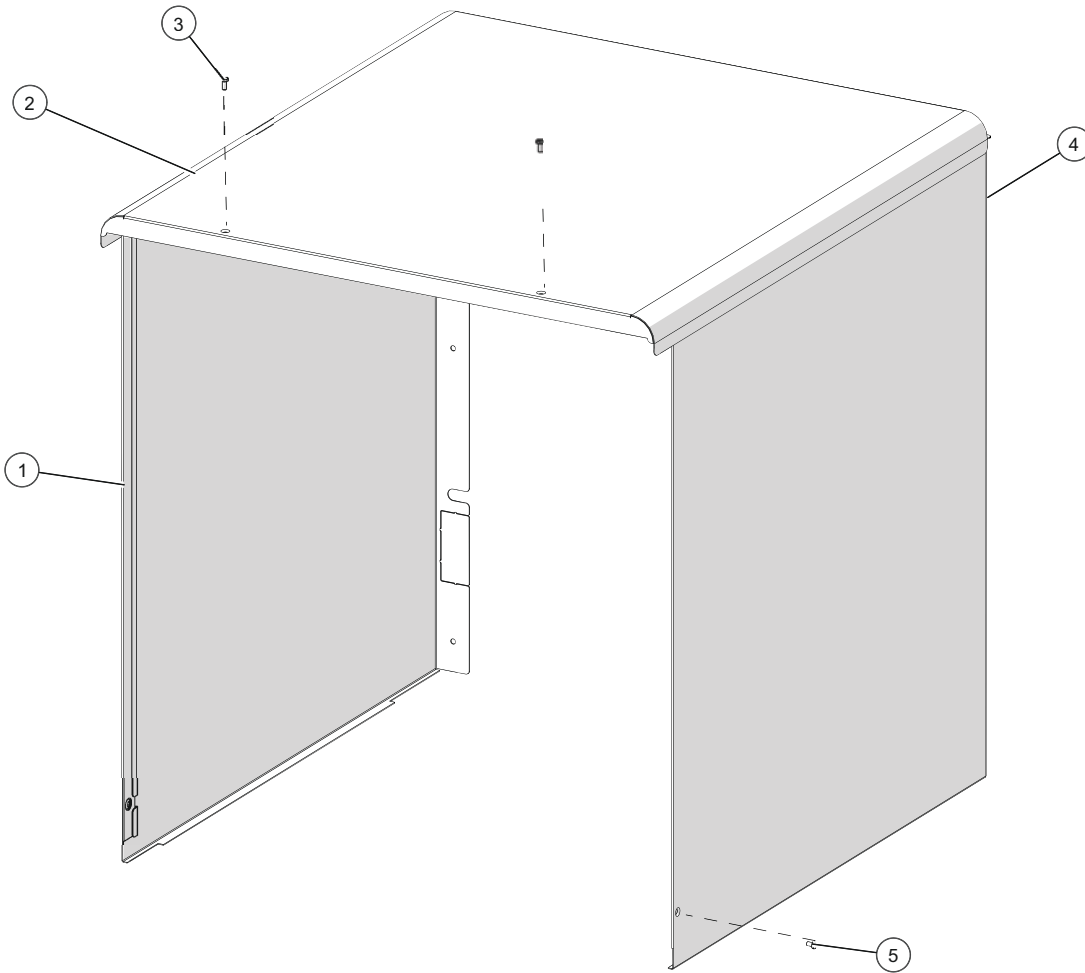
ID	Part No.	Description
1	SC-27078	SCREW,M6x1.0X10MM PAN
2	SC-23664	SCREW, M4x0.7x10MM HEX
3	NU-37267	NUT, HEX INSERT M4
4	SC-22273	SCREW,M4x0.7X10MM PAN
5	1025979	COVER, TOP
6	SC-22281	SCREW,M5x0.8X16MM FLAT
7	SC-22766	SCREW,M5x0.8X10MM PAN
8	1025980	PANEL,BACK,OUTER
9	SC-22271	SCREW,M4x0.7X6MM PAN
10	NU-36369	NUT, 3/8-16 HEX INSERT
11	1025978	PANEL,OUTER CASING
12	NU-28086	NUT, HEX INSERT M6
13	SC-37702	SCREW, M4 X 12MM SEMS

Exterior Panels Package 500 Series



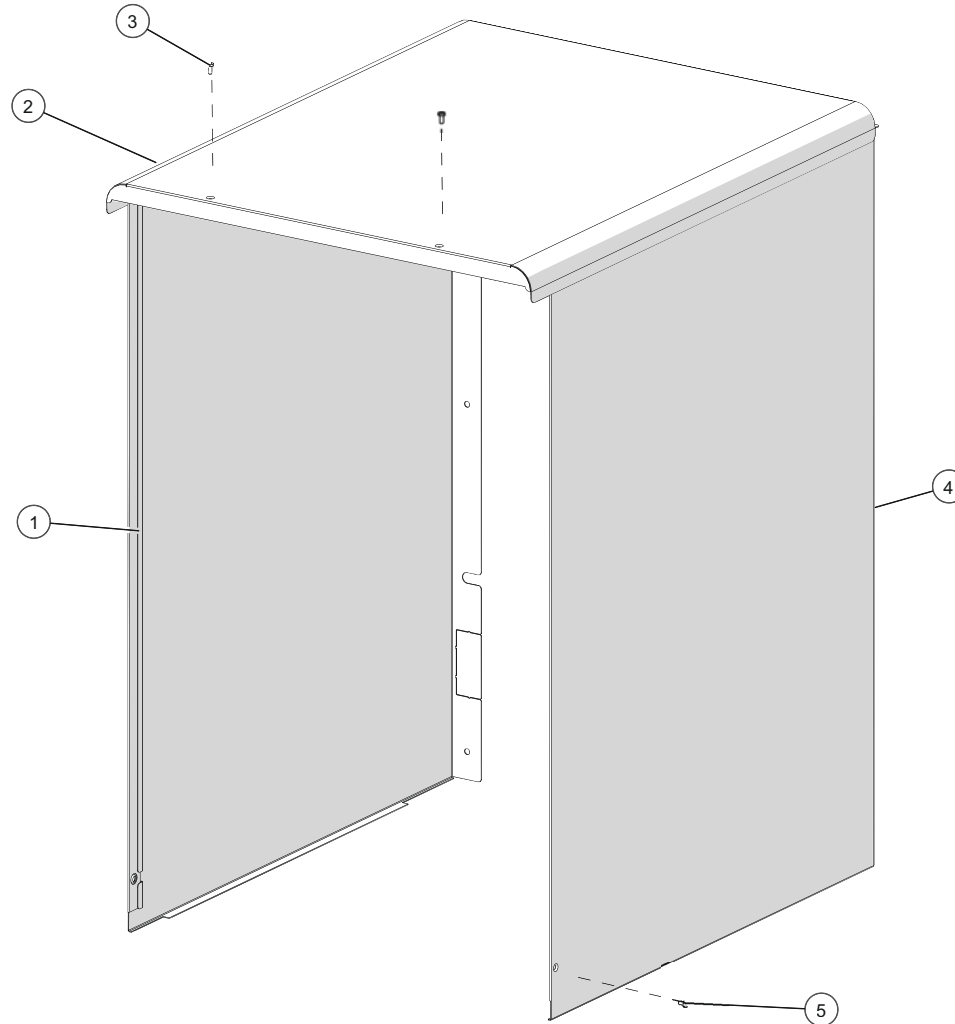
ID	Part No.	Description
1	1025915	PANEL,SIDE,LEFT
2	1025907	COVER, TOP
3	SC-22273	SCREW,M4x0.7X10MM PAN
4	1025914	PANEL,SIDE,RIGHT
5	SC-22271	SCREW,M4x0.7X6MM PAN

Exterior Panels Package 750 Series



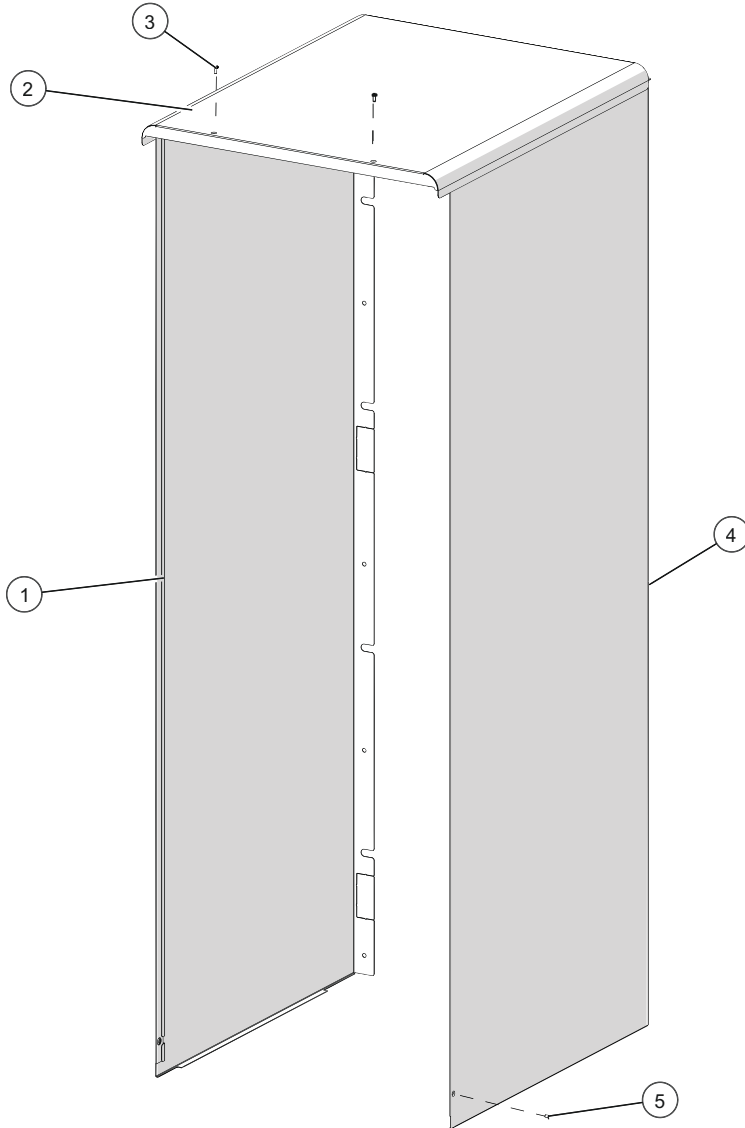
ID	Part No.	Description
1	1025935	PANEL,SIDE,LEFT
2	1025927	COVER,TOP
3	1025934	M4 X 6MM PH PAN HD M/S 18-8
4	1025934	PANEL,SIDE,RIGHT
5	SC-22271	M4 X 6MM PH PAN HD M/S .7

Exterior Panels Package 1000 Series



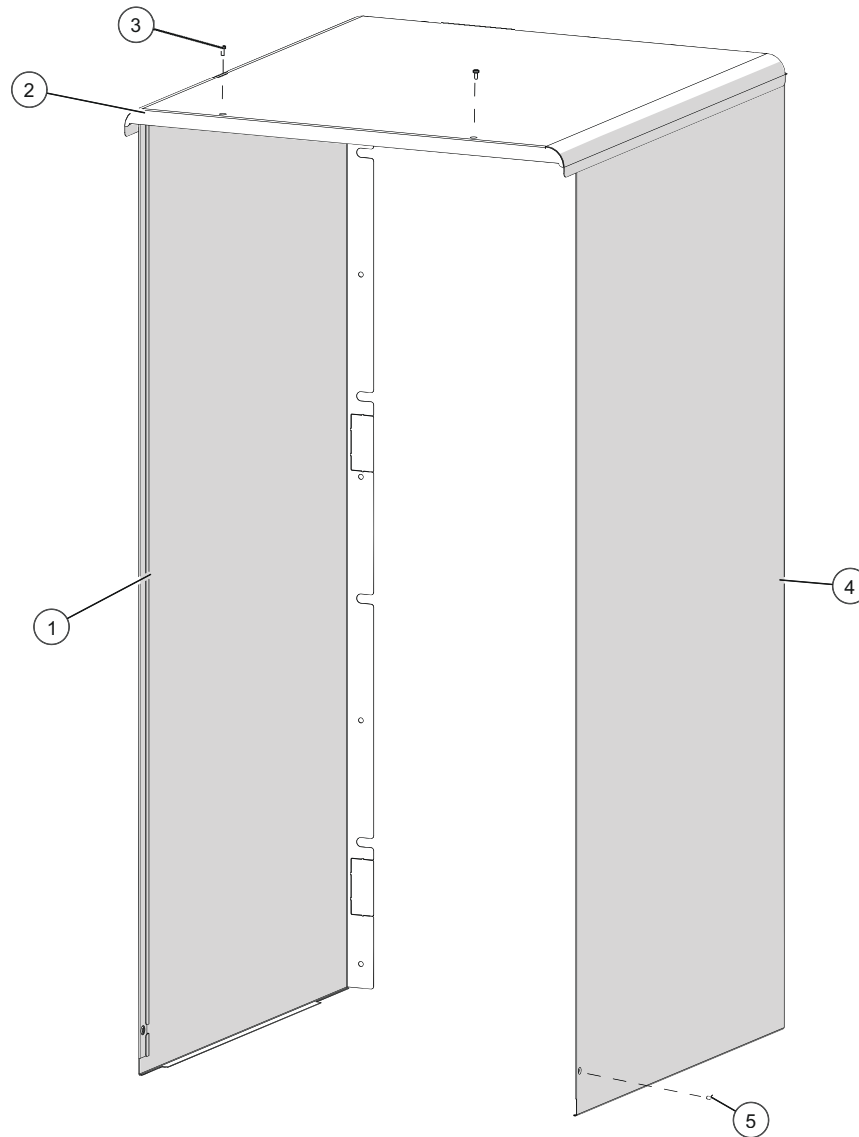
ID	Part No.	Description
1	1025892	PANEL,SIDE,LEFT
2	1025881	COVER, TOP
3	SC-22273	M4 X 6MM PH PAN HD M/S 18-8
4	1025891	PANEL,SIDE,RIGHT
5	SC-22271	M4 X 6MM PH PAN HD M/S .7

Exterior Panels Package 1200 Series



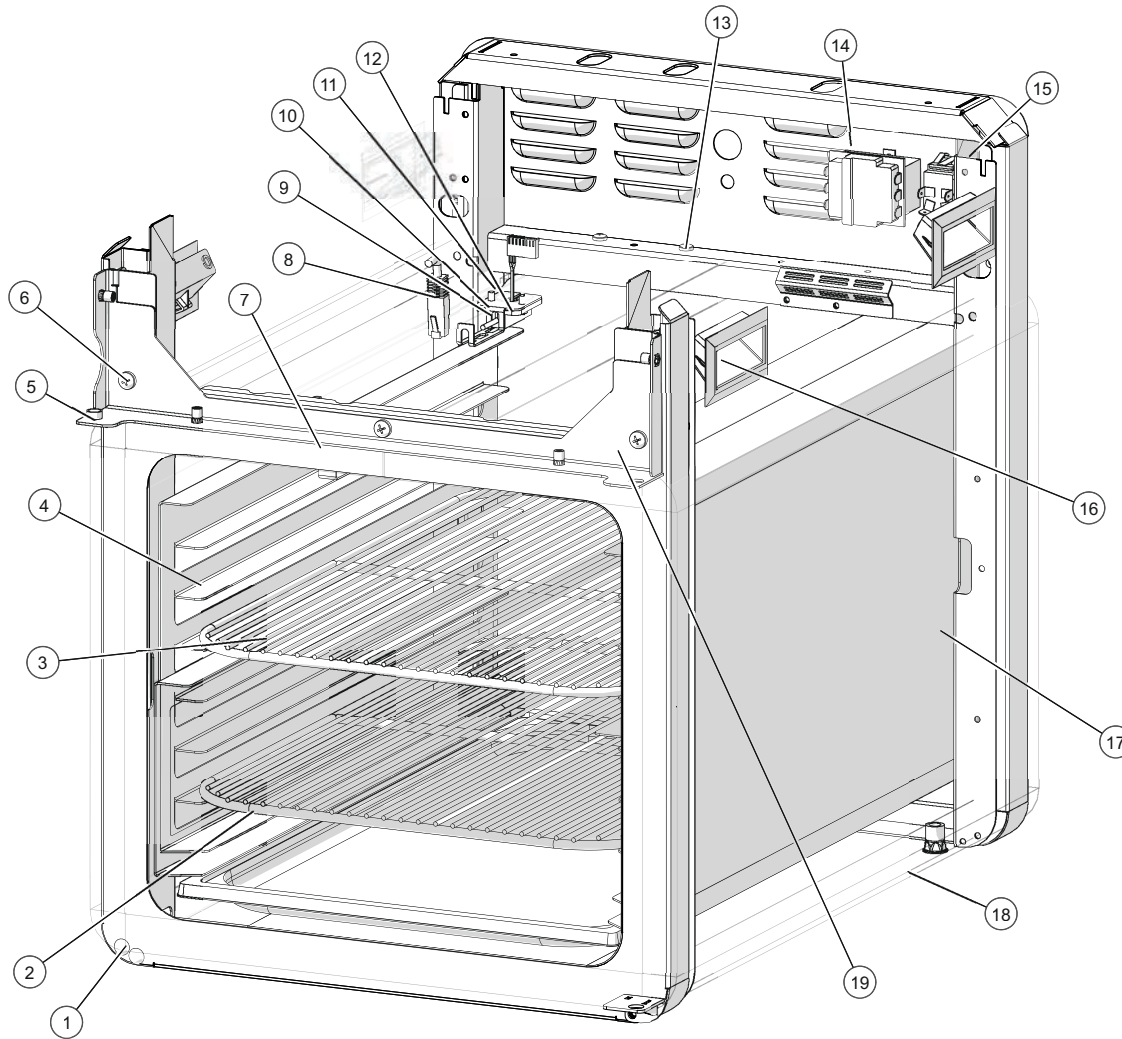
ID	Part No.	Description
1	1025894	PANEL,SIDE,LEFT
2	1025881	COVER, TOP
3	SC-22273	M4 X 6MM PH PAN HD M/S 18-8
4	1025893	PANEL,SIDE,RIGHT
5	SC-22271	M4 X 6MM PH PAN HD M/S .7

Exterior Panels Package 1750 Series



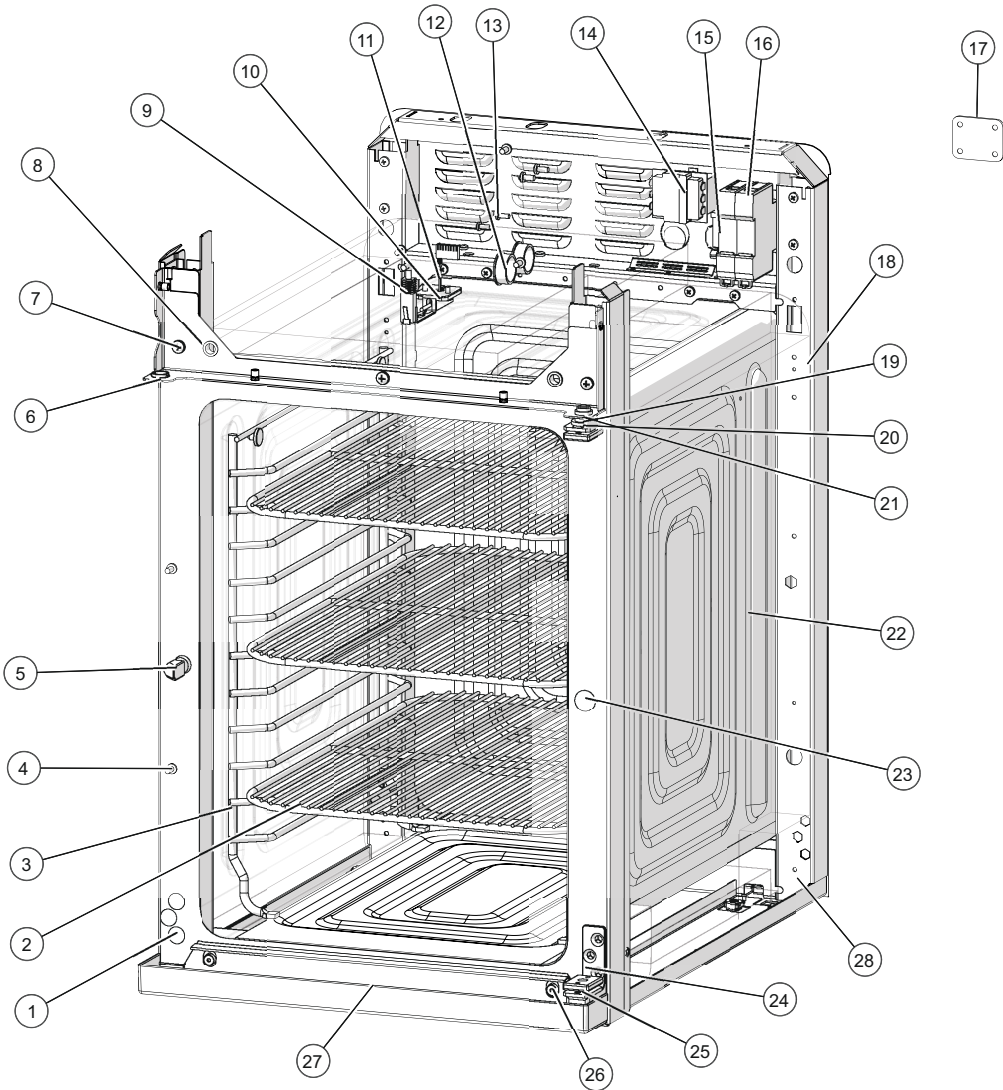
ID	Part No.	Description
1	1025973	PANEL,SIDE,LEFT
2	1025927	COVER,TOP
3	SC-22273	M4 X 6MM PH PAN HD M/S 18-8
4	1025972	PANEL,SIDE,RIGHT
5	SC-22271	M4 X 6MM PH PAN HD M/S .7

Base Unit Package "A", 300 Series



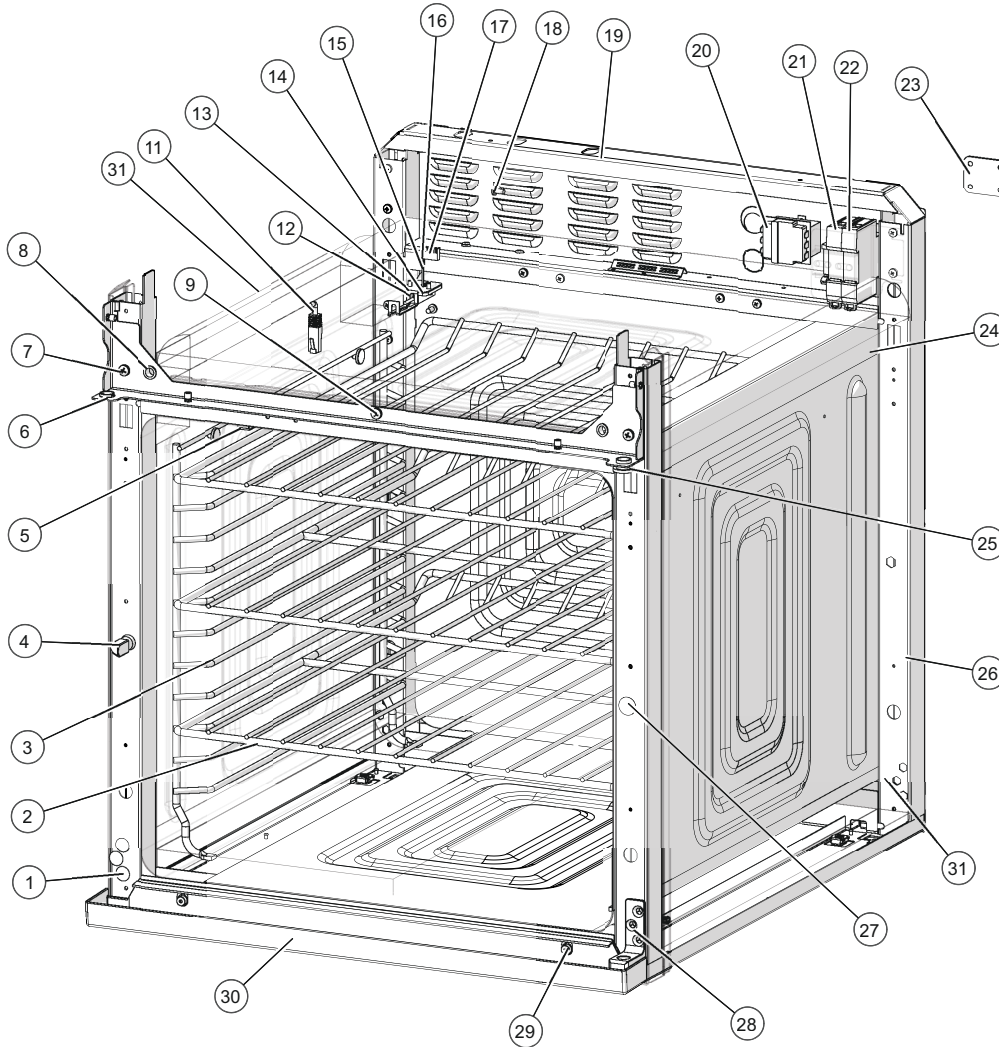
ID	Part No.	Description
1	PG-46627	PLUG,XMAS TREE,M4
2	PN-37119	PAN, FULL SIZE, 3/4" HEIGHT, S/S
3	SH-2326	500 SHELF S/S
4	1012872	300-TH SIDE RACK
5	PG-25460	13/32"DIA. HOLE PLUG
6	SC-27078	SCREW,M6x1.0X10MM PAN
7	1035641	PROBE,HOLDER, RECEPTACLE MNT
8	CB-35778	CAN/ETHERNET CABLE,1.5',SRJ45
9	1493	GUARD SENSOR,W/MW
10	SC-22273	SCREW,M4x0.7X10MM PAN
11	5029655	SENSOR, 100 OHM, 110" WIRE
12	BK-29605	BLOCK, SENSOR, ELEC. CONTROL
13	SC-22766	SCREW,M5x0.8X10MM PAN
14	TT-33476	THERMOSTAT, 300F HI-LIMIT
15	SW-34769	SWITCH,ROCKER,125-277V,20A
16	HD-28789	HANDLE, PULL RECESSED, BLACK
17	IN-2003	INSULATION, YELLOW 12-1/2" x 13-1/2"
18	IN-22364	INSULATION, TRS 30, 22.250" x 61.500"
19	5027960	MTG RAIL,ASSY,WITH INSERTS

Base Unit Package "A", 500 Series



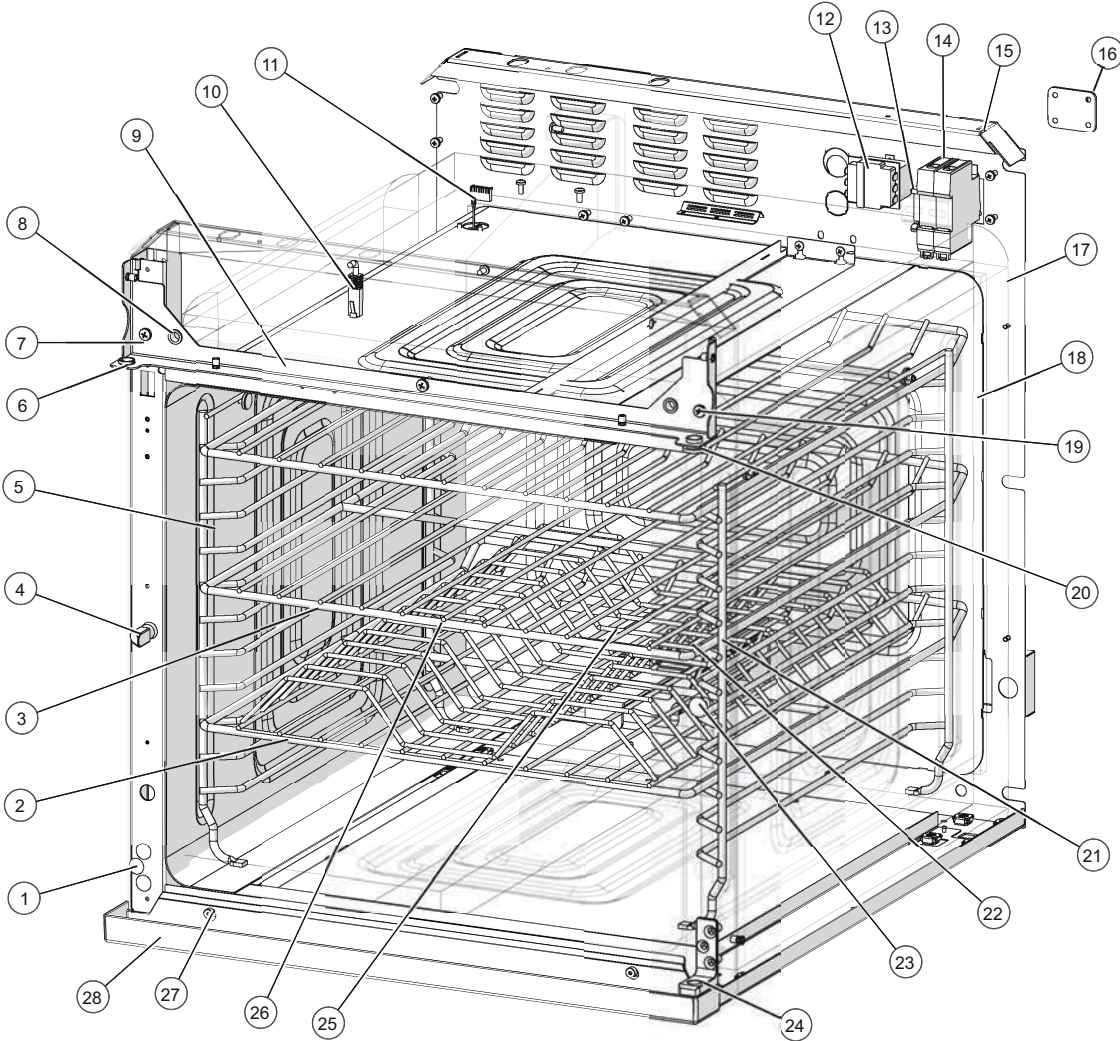
ID	Part No.	Description
1	PG-47226	PLUG,XMAS TREE,,188" HOLE DIA,
2	SH-47163	SHELF, S/S
3	SR-39693	RACK,SIDE
4	SC-22766	SCREW,M5x0.8X10MM PAN
5	LT-38342	LATCH, DOOR, DOG, LONG NOSE
6	PG-39734	PLUG, DOME, Ø.625"
7	SC-27078	SCREW,M6x1.0X10MM PAN
8	BU-3006	1/2" HOLE BUSHING
9	CB-35778	CAN/ETHERNET CABLE,1.5',SRJ45
10	BK-29605	BLOCK, SENSOR, ELEC. CONTROL
11	5029655	SENSOR,100 OHM,110" WIRE
12	BU-3378	1 1/8" SNAP BUSHING
13	SC-22273	SCREW,M4x0.7X10MM PAN
14	TT-33476	THERMOSTAT, 300F HI-LIMIT
15	TM-39606	TERMINAL, SCREWLESS END
16	SW-46275	SWITCH, BREAKER, 40A, DIN RAIL
17	BT-26884	BRACKET, TETHER.
18	RI-2100	RIVET,BLIND,#44,STNLS
19	HG-39655	HINGE,PIN,DOOR,ADJUSTABLE
20	HG-39656	HINGE,PLATE,DOOR PIN
21	BU-39572	BUSHING,HINGE,DOOR
22	IN-2003	INSULATION @ 14.250" X 20.000"
23	PG-47153	PLUG,XMAS TREE,7.1MM
24	HG-39652	HINGE,DOOR,BOTTOM
25	HG-47157	HINGE PIN,BOTTOM,DOOR
26	SC-46913	SCREW,M5X0.8,3MM SHOULDER
27	5032603	DRIP TRAY W/GASKET, BOTTOM
28	1025970	INSULATION, CAVITY WRAP

Base Unit Package "A", 750 Series



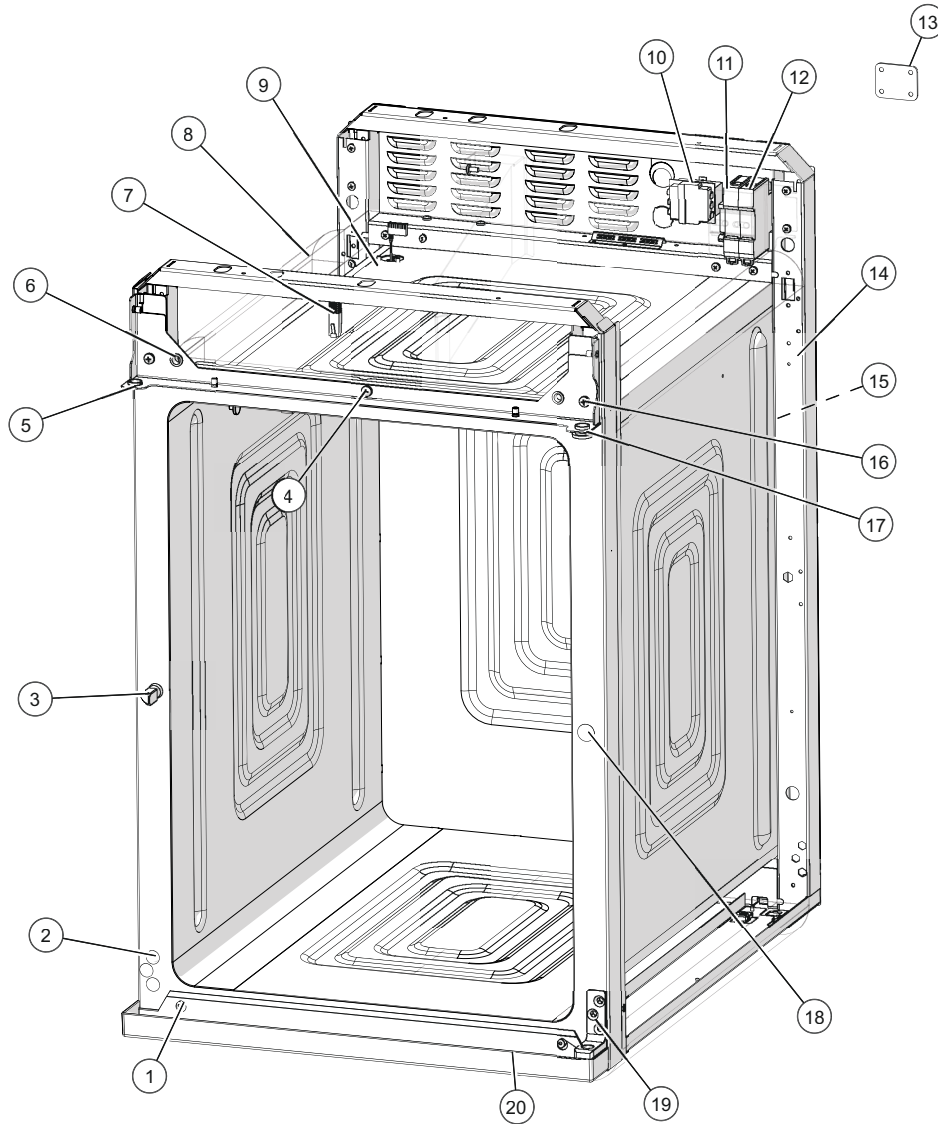
ID	Part No.	Description
1	PG-47226	PLUG,XMAS TREE,,188" HOLE DIA,
2	SH-2324	SHELF, S/S, 750-TH
3	SR-39692	RACK,SIDE
4	LT-38342	LATCH, DOOR, DOG, LONG NOSE
5	1035641	PROBE,HOLDER, RECEPTACLE MNT
6	PG-39734	PLUG,DOME,Ø.625"
7	5027652	MTG RAIL,ASSY,WITH INSERTS
8	BU-3006	1/2" HOLE BUSHING
9	SC-27078	SCREW,M6x1.0X10MM PAN
11	CB-35778	CAN/ETHERNET CABLE,1.5',SRJ45
12	1493	GUARD SENSOR,W/MW
13	SC-22273	SCREW,M4x0.7X10MM PAN
14	BK-29605	BLOCK, SENSOR, ELEC. CONTROL
15	SN-38111	SENSOR, 1000 OHM, 110" WIRE
16	CR-34669	CONNECTOR, CRIMP TERMINAL
17	CR-37012	CONNECTOR, FEMALE, 8 PIN, NYLON
18	SC-22766	SCREW,M5x0.8X10MM PAN
19	5027945	BACK PANEL,ASSY,W/INSERTS
20	TT-33476	THERMOSTAT, 300F HI-LIMIT
21	TM-39606	TERMINAL, SCREWLESS END
22	SW-46275	SWITCH, BREAKER, 40A, DIN RAIL
23	BT-26884	BRACKET, TETHER.
24	IN-2003	INSULATION @ 18.75" x 26.75"
25	BU-39572	BUSHING,HINGE,DOOR
26	RI-2100	RIVET,BLIND,#44,STNLS
27	PG-47153	PLUG,XMAS TREE,7.1MM
28	HG-39652	HINGE,DOOR,BOTTOM
29	SC-47366	SCREW,M5X0.8,5MM SHOULDER
30	5032601	DRIP TRAY W/GASKET
31	1025968	INSULATION,CAVITY WRAP

Base Unit Package "B", 750 Series



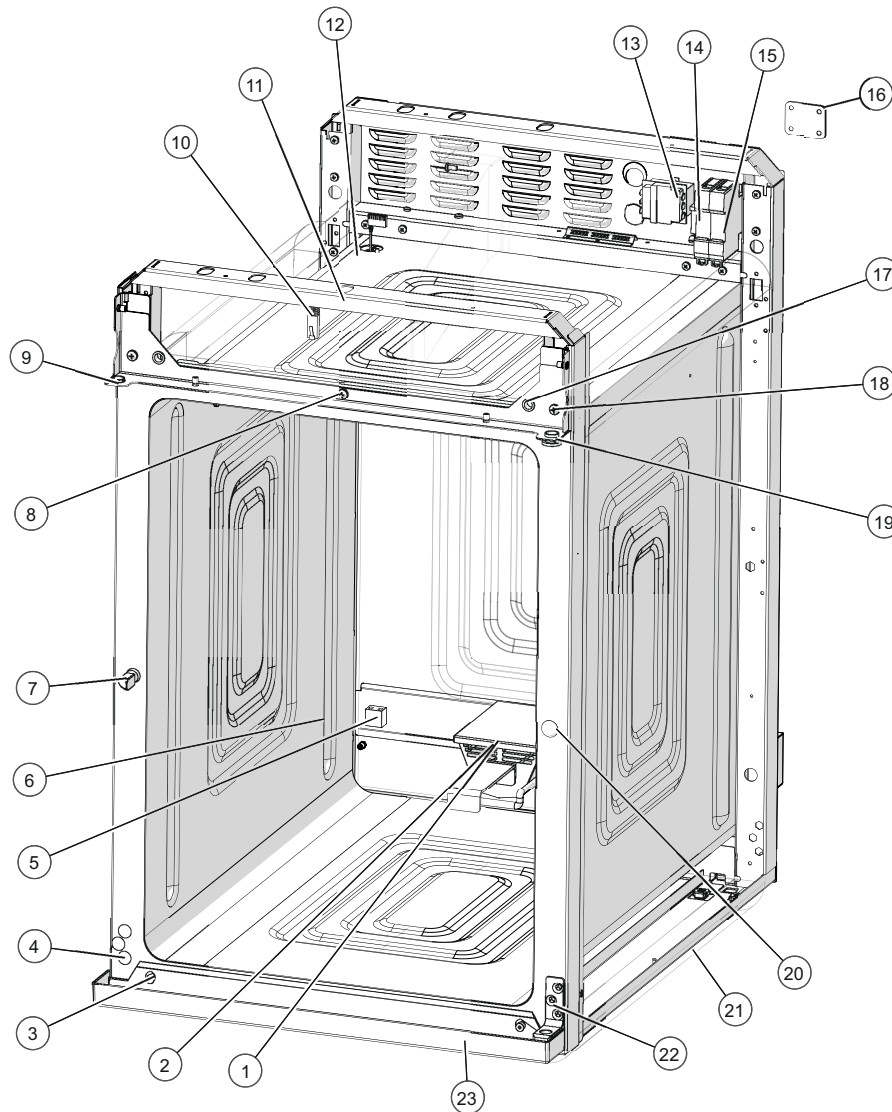
ID	Part No.	Description
1	PG-47226	PLUG,XMAS TREE,.188" HOLE DIA,
2	SH-2743	SHELF, RIB RACK, S/S, 767-SK
3	SH-2324	SHELF, S/S, 750-TH
4	LT-38342	LATCH, DOOR, DOG, LONG NOSE
5	SR-39692	RACK,SIDE
6	PG-39734	PLUG,DOME,Ø.625"
7	5027652	MTG RAIL,ASSY,WITH INSERTS
8	BU-3006	1/2" HOLE BUSHING
9	SC-22766	SCREW,M5x0.8X10MM PAN
10	CB-35778	CAN/ETHERNET CABLE,1.5',SRJ45
11	5029655	SENSOR ASSY 100 OHM, 110" WIRE
12	TT-33476	THERMOSTAT, 300F HI-LIMIT
13	TM-39606	TERMINAL, SCREWLESS END
14	SW-46275	SWITCH, BREAKER, 40A, DIN RAIL
15	5027990	BACK PANEL,ASSY,W/INSERTS
16	BT-26884	BRACKET, TETHER.
17	1025968	INSULATION,CAVITY WRAP
18	IN-22265	INSULATION, REAR PANEL
19	SC-27078	SCREW,M6x1.0X10MM PAN
20	BU-39572	BUSHING,HINGE,DOOR
21	GS-47243	GASKET, HALO SMOKE ELEMENT
22	NU-2437	NUT, 1/4-20 HEX S/S
23	PG-47153	PLUG,XMAS TREE,7.1MM
24	HG-39652	HINGE,DOOR,BOTTOM
25	BK-33546	BLOCK, 2 TERMINAL, PORCELAIN
26	BU-3611	5/8" SNAP BUSHING BLACK
27	SC-47366	SCREW,M5X0.8,5MM SHOULDER
28	5032601	DRIP TRAY W/GASKET

Base Unit Package "A", 1000 Series



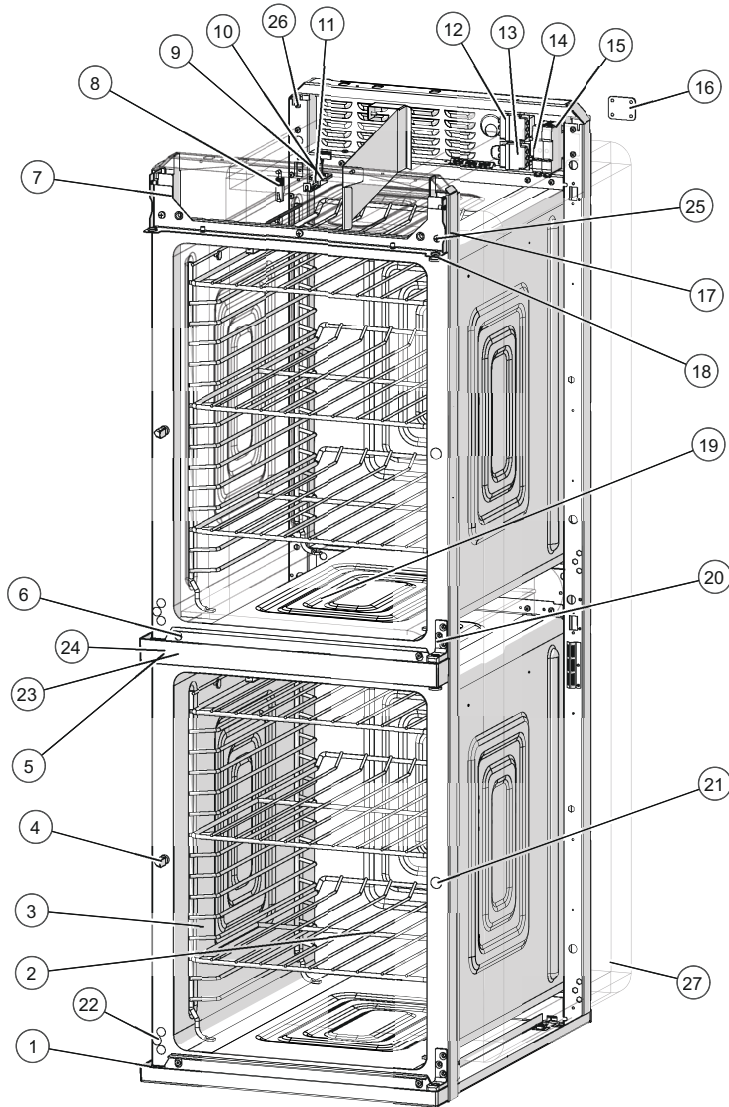
ID	Part No.	Description
1	SC-47366	SCREW,M5X0.8,5MM SHOULDER
2	PG-47226	PLUG,XMAS TREE,.188" HOLE DIA,
3	LT-38342	LATCH, DOOR, DOG, LONG NOSE
4	SC-22766	SCREW,M5x0.8X10MM PAN
5	PG-39734	PLUG,DOME,Ø.625"
6	BU-3006	1/2" HOLE BUSHING
7	CB-35778	CAN/ETHERNET CABLE,1.5',SRJ45
8	1025961	INSULATION,CAVITY WRAP
9	5029655	SENSOR ASSY 100 OHM, 110" WIRE
10	TT-33476	THERMOSTAT, 300F HI-LIMIT
11	TM-39606	TERMINAL, SCREWLESS END
12	SW-46275	SWITCH, BREAKER, 40A, DIN RAIL
13	BT-26884	BRACKET, TETHER.
14	RI-2100	RIVET,BLIND,#44,STNLS
15	IN-2003	REAR INSULATION @ 18.75" x 26.75"
16	SC-27078	SCREW,M6x1.0X10MM PAN
17	BU-39572	BUSHING,HINGE,DOOR
18	PG-47153	PLUG,XMAS TREE,7.1MM
19	HG-39652	HINGE,DOOR,BOTTOM
20	5032599	DRIP TRAY W/GASKET

Base Unit Package "B", 1000 Series



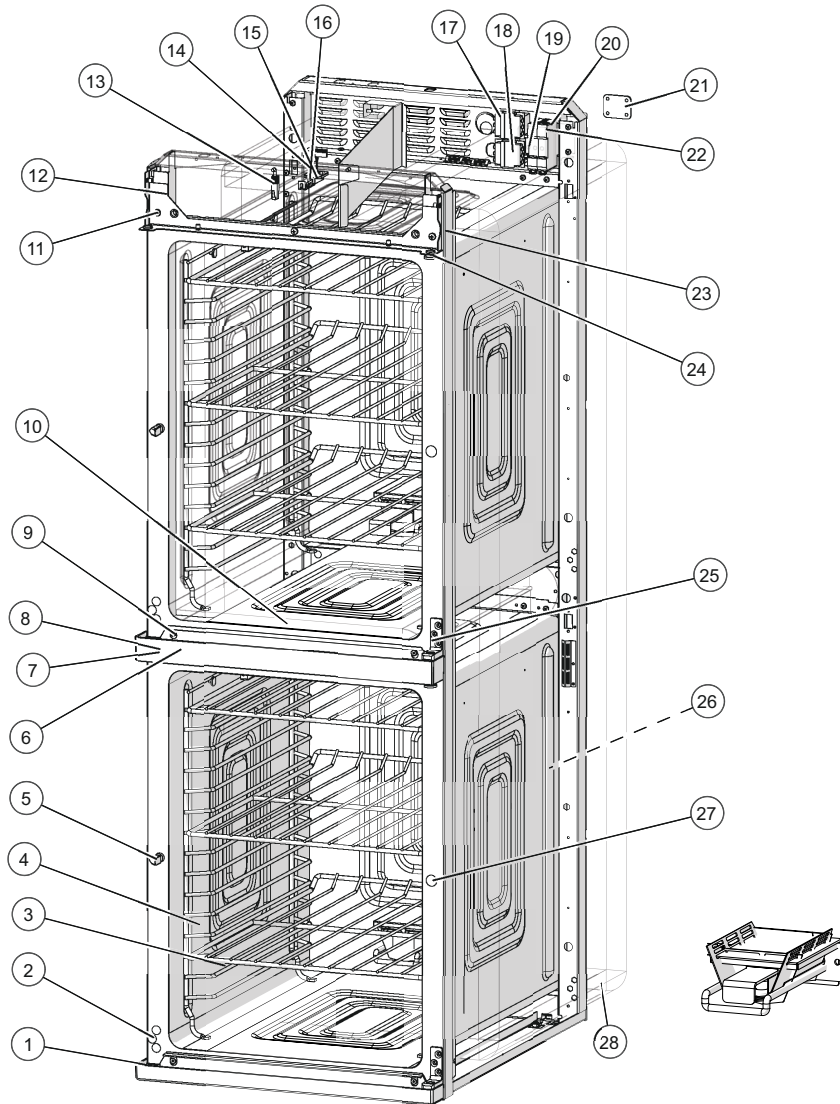
ID	Part No.	Description
1	5030981	CHIP TRAY WELD
2	GS-47243	GASKET, HALO SMOKE ELEMENT
3	SC-47366	SCREW,M5X0.8,5MM SHOULDER
4	PG-47226	PLUG,XMAS TREE,.188" HOLE DIA,
5	BK-33546	BLOCK, 2 TERMINAL, PORCELAIN
6	BU-3611	5/8" SNAP BUSHING BLACK
7	LT-38342	LATCH, DOOR, DOG, LONG NOSE
8	SC-22766	SCREW,M5x0.8X10MM PAN
9	PG-39734	PLUG,DOME,Ø.625"
10	CB-35778	CAN/ETHERNET CABLE,1.5',SRJ45
11	RI-2100	RIVET,BLIND,#44,STNLS
12	5029655	SENSOR ASSY 100 OHM, 110" WIRE
13	TT-33476	THERMOSTAT, 300F HI-LIMIT
14	TM-39606	TERMINAL, SCREWLESS END
15	SW-46275	SWITCH, BREAKER, 40A, DIN RAIL
16	BT-26884	BRACKET, TETHER.
17	BU-3006	1/2" HOLE BUSHING
18	SC-27078	SCREW,M6x1.0X10MM PAN
19	BU-39572	BUSHING,HINGE,DOOR
20	PG-47153	PLUG,XMAS TREE,7.1MM
21	1025961	INSULATION,CAVITY WRAP
22	HG-39652	HINGE,DOOR,BOTTOM
23	5032599	DRIP TRAY W/GASKET

Base Unit Package "A", 1200 Series



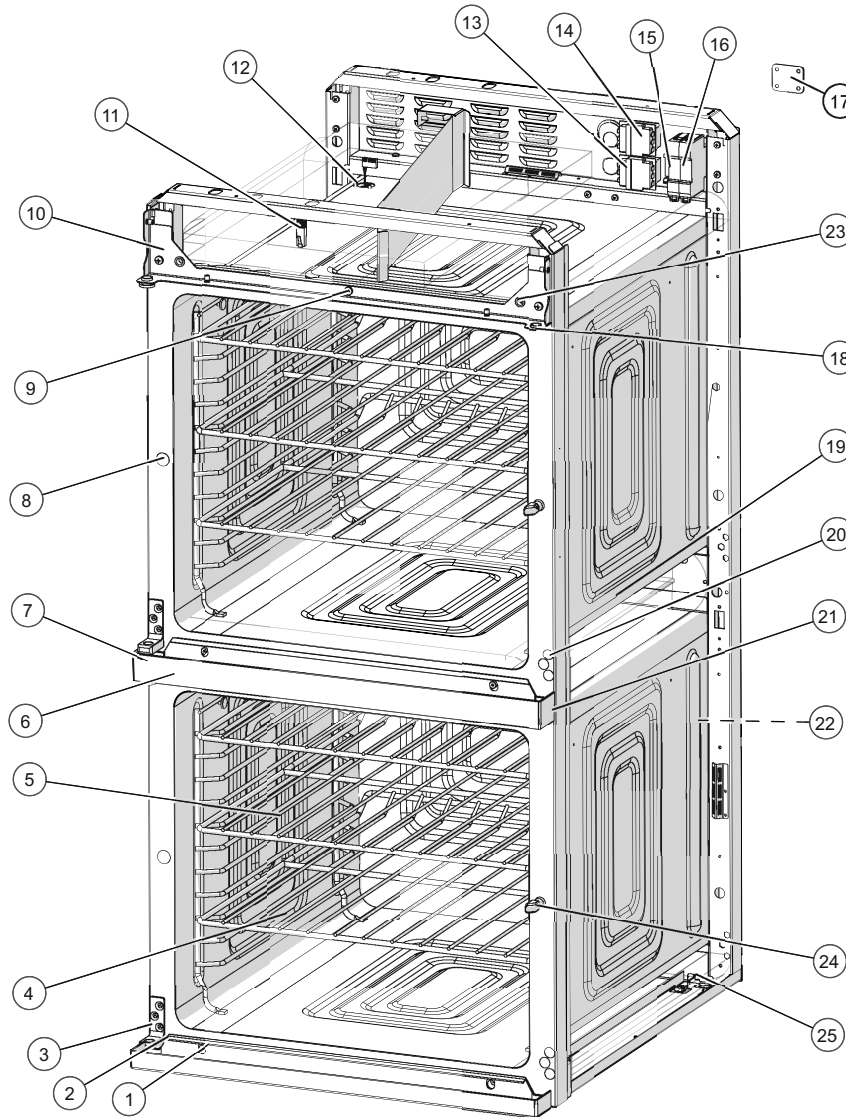
ID	Part No.	Description
1	5032599	DRIP TRAY ASSY,BOTTOM
2	SH-2325	SHELF, S/S, 1000-TH
3	SR-39570	RACK,SIDE
4	LT-38342	LATCH, DOOR, DOG, LONG NOSE
5	5032600	DRIP TRAY ASSEMBLY
6	SC-47366	SCREW,M5X0.8,5MM SHOULDER
7	5027457	MTG RAIL,ASSY,WITH INSERTS
8	CB-35778	CAN/ETHERNET CABLE,1.5',SRJ45
9	5029655	SENSOR, 100 OHM, 110"
10	BK-29605	BLOCK, SENSOR, ELEC. CONTROL
11	1493	GUARD SENSOR,W/MW
12	TT-33476	THERMOSTAT, 300F HI-LIMIT
13	TT-34600	THERMOSTAT, 300F HI-LIMIT,72"
14	TM-39606	TERMINAL, SCREWLESS END
15	SW-46275	SWITCH, BREAKER, 40A, DIN RAIL
16	BT-26884	BRACKET, TETHER.
17	BU-3006	1/2" HOLE BUSHING
18	BU-39572	BUSHING,HINGE,DOOR
19	5029655	SENSOR, 100 OHM, 110"
20	HG-39652	HINGE,DOOR,BOTTOM
21	PG-47153	PLUG,XMAS TREE,7.1MM
22	PG-47226	PLUG,XMAS TREE,.188" HOLE DIA,
23	PG-38218	PLUG,XMAS TREE,.188" HOLE DIA,
24	PG-39734	PLUG,DOME,Ø.625"
25	SC-27078	SCREW,M6x1.0X10MM PAN
26	SC-22766	SCREW,M5x0.8X10MM PAN
27	1032102	INSULATION,CAVITY WRAP

Base Unit Package "B", 1200 Series



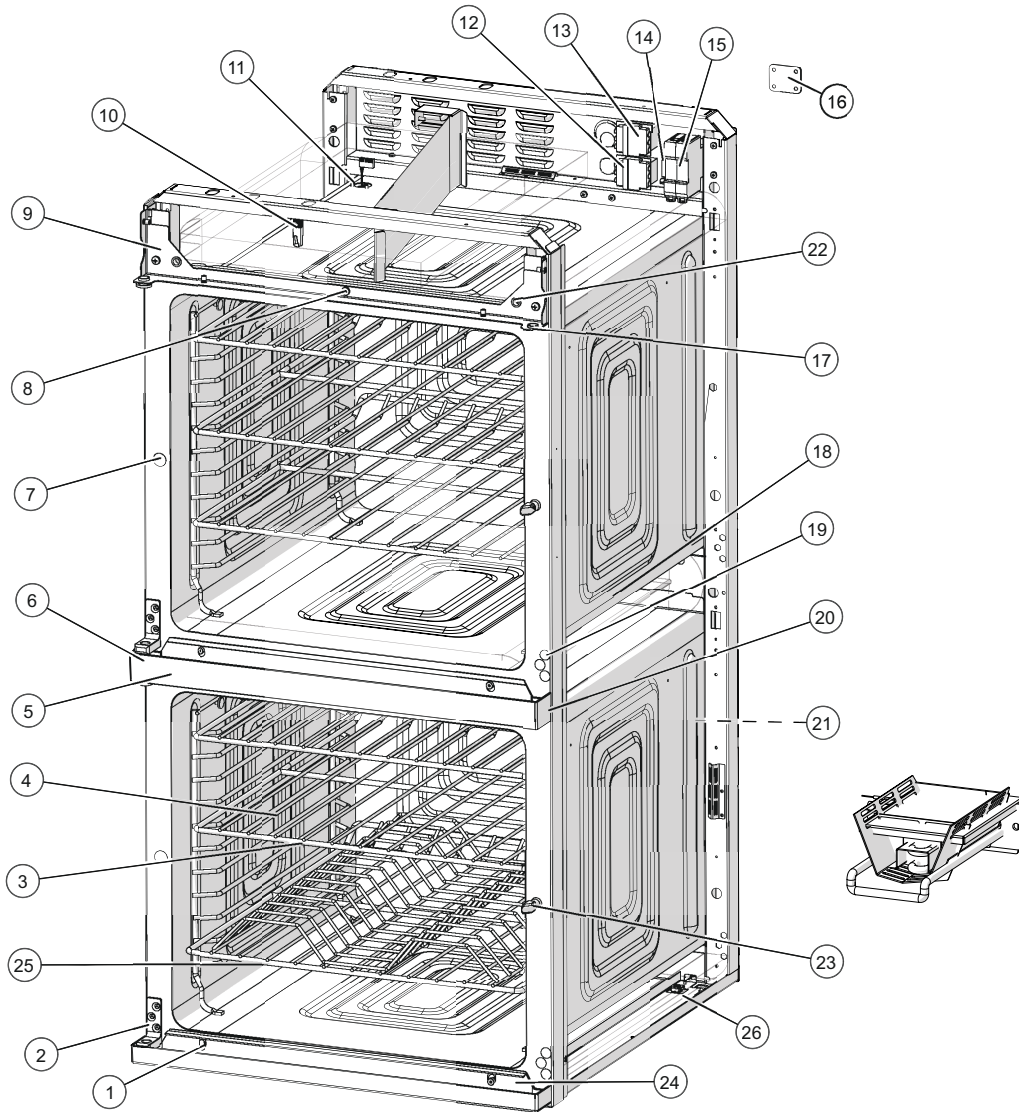
ID	Part No.	Description
1	5032599	DRIP TRAY ASSY,BOTTOM
2	PG-47226	PLUG,XMAS TREE,.188" HOLE DIA,
3	SH-2325	SHELF, S/S, 1000-TH
4	SR-39570	RACK,SIDE
5	LT-38342	LATCH, DOOR, DOG, LONG NOSE
6	PG-38218	PLUG,XMAS TREE,.188" HOLE DIA,
7	5032600	DRIP TRAY ASSEMBLY
8	PG-39734	PLUG,DOME,Ø.625"
9	SC-47366	SCREW,M5X0.8,5MM SHOULDER
10	SC-22766	SCREW,M5x0.8X10MM PAN
11	SC-27078	SCREW,M6x1.0X10MM PAN
12	5027457	MTG RAIL,ASSY,WITH INSERTS
13	CB-35778	CAN/ETHERNET CABLE,1.5',SRJ45
14	5029655	SENSOR, 100 OHM, 110"
15	BK-29605	BLOCK, SENSOR, ELEC. CONTROL
16	1493	GUARD SENSOR,W/MW
17	TT-33476	THERMOSTAT, 300F HI-LIMIT
18	TT-34600	THERMOSTAT, 300F HI-LIMIT,72"
19	TM-39606	TERMINAL, SCREWLESS END
20	SW-46275	SWITCH, BREAKER, 40A, DIN RAIL
21	BT-26884	BRACKET, TETHER.
22	1029779	COVER,ACCESS,BREAKER
23	BU-3006	1/2" HOLE BUSHING
24	BU-39572	BUSHING,HINGE,DOOR
25	HG-39652	HINGE,DOOR,BOTTOM
26	IN-2003	REAR INSULATION @ 18.75" x 26.75"
27	PG-47153	PLUG,XMAS TREE,7.1MM
28	1032102	INSULATION,CAVITY WRAP

Base Unit Package "A", 1750 Series



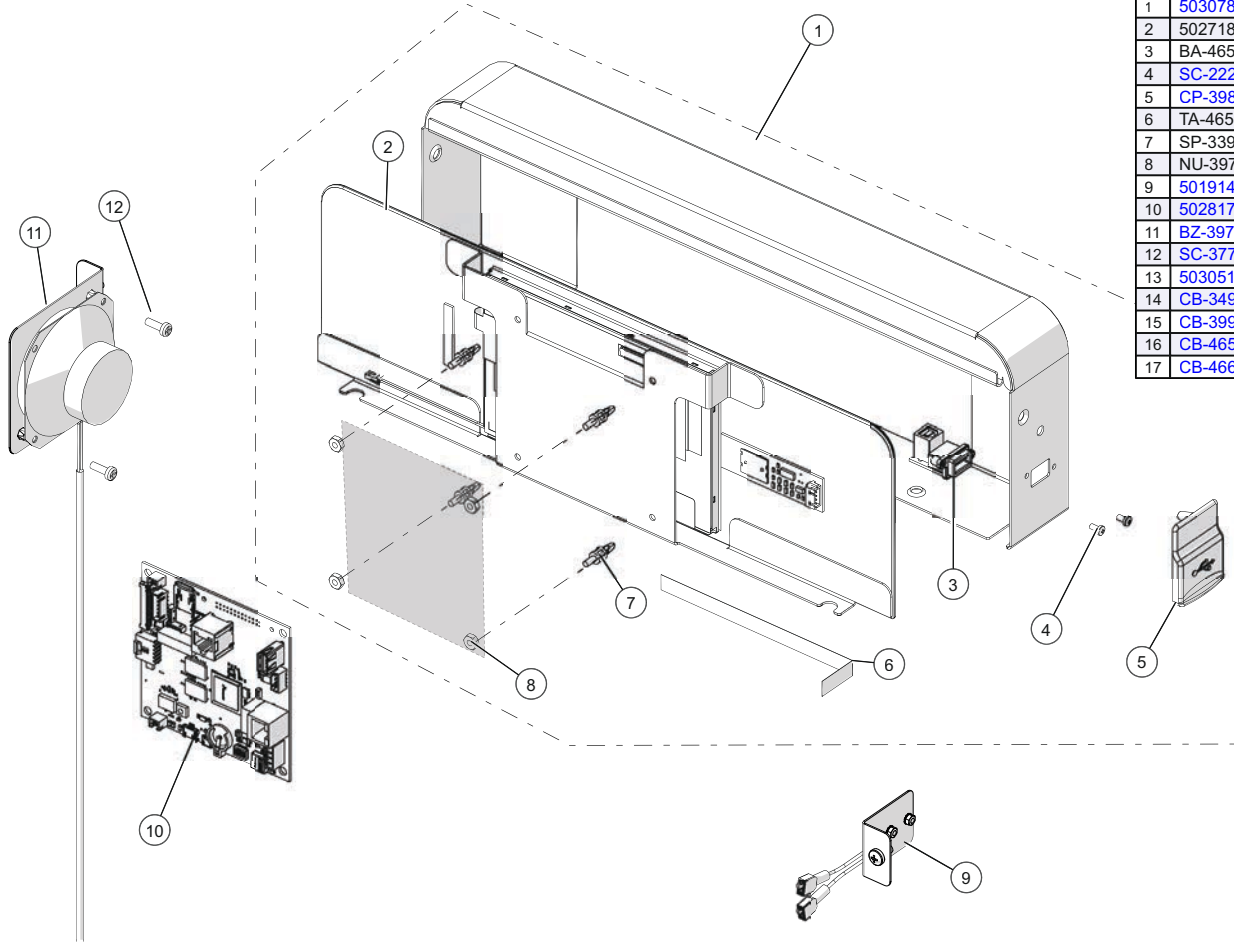
ID	Part No.	Description
1	SC-47366	SCREW,M5X0.8,5MM SHOULDER
2	5032099	DRIP TRAY ASSY,BOTTOM
3	HG-39652	HINGE,DOOR,BOTTOM
4	SH-2324	SHELF, S/S, 750-TH
5	SR-39692	RACK,SIDE
6	5032602	DRIP TRAY W/GASKET,MIDDLE
7	BU-39572	BUSHING,HINGE,DOOR
8	PG-47153	PLUG,XMAS TREE,7.1MM
9	SC-27078	SCREW,M6x1.0X10MM PAN
10	5027652	MTG RAIL,ASSY,WITH INSERTS
11	CB-35778	CAN/ETHERNET CABLE,1.5',SRJ45
12	5029655	SENSOR, 100 OHM, 110" WIRE
13	TT-34600	THERMOSTAT, 300F HI-LIMIT
14	TT-33476	THERMOSTAT, 300F HI-LIMIT
15	TM-39606	TERMINAL, SCREWLESS END
16	SW-46275	SWITCH, BREAKER, 40A, DIN RAIL
17	BT-26884	BRACKET, TETHER.
18	PG-39734	PLUG,DOME,Ø.625"
19	SC-22766	SCREW,M5x0.8X10MM PAN
20	PG-47226	PLUG,XMAS TREE,.188" HOLE DIA,
21	PG-38218	PLUG,XMAS TREE,.188" HOLE DIA,
22	IN-2003	REAR INSULATION @ 18.75" x 26.75"
23	BU-3006	1/2" HOLE BUSHING
24	LT-38342	LATCH, DOOR, DOG, LONG NOSE
25	1032105	INSULATION,CAVITY WRAP

Base Unit Package "B", 1750 Series



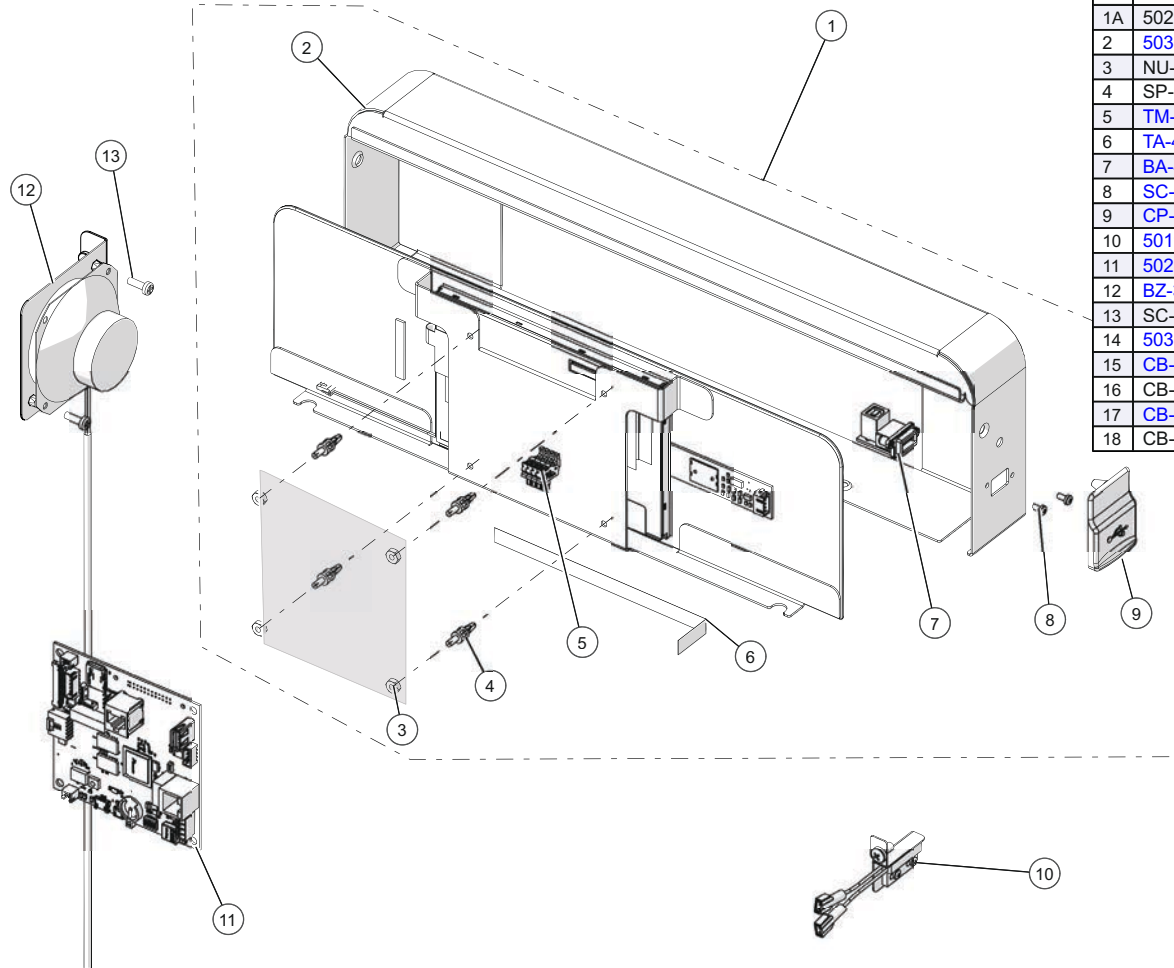
ID	Part No.	Description
1	SC-47366	SCREW,M5X0.8,5MM SHOULDER
2	HG-39652	HINGE,DOOR,BOTTOM
3	SH-2324	SHELF, S/S, 750-TH
4	SR-39692	RACK,SIDE
5	5032602	DRIP TRAY W/GASKET,MIDDLE
6	BU-39572	BUSHING,HINGE,DOOR
7	PG-47153	PLUG,XMAS TREE,7.1MM
8	SC-27078	SCREW,M6x1.0X10MM PAN
9	5027652	MTG RAIL,ASSY,WITH INSERTS
10	CB-35778	CAN/ETHERNET CABLE,1.5',SRJ45
11	5029655	SENSOR, 100 OHM, 110" WIRE
12	TT-34600	THERMOSTAT, 300F HI-LIMIT
13	TT-33476	THERMOSTAT, 300F HI-LIMIT
14	TM-39606	TERMINAL, SCREWLESS END
15	SW-46275	SWITCH, BREAKER, 40A, DIN RAIL
16	BT-26884	BRACKET, TETHER.
17	PG-39734	PLUG,DOME,Ø.625"
18	SC-22766	SCREW,M5x0.8X10MM PAN
19	PG-47226	PLUG,XMAS TREE, .188" HOLE DIA,
20	PG-38218	PLUG,XMAS TREE, .188" HOLE DIA,
21	IN-2003	REAR INSULATION @ 18.75" x 26.75"
22	BU-3006	1/2" HOLE BUSHING
23	LT-38342	LATCH, DOOR, DOG, LONG NOSE
24	5032099	DRIP TRAY ASSY,BOTTOM
25	SH-2324	S/S RIB RACK 767-SK SERIES
26	1032105	INSULATION,CAVITY WRAP

Control Package, Deluxe, 300 Series



ID	Part No.	Description
1	5030786	SVC KIT, CONTROL ASSY,DELUXE,TOUCH
2	5027186	ASSY.DISPLAY BOARD,OVERLAY
3	BA-46556	BOARD,USB RECEPTACLE,90°
4	SC-22266	SCREW,M3x0.5X6MM PAN
5	CP-39848	CAP,USB
6	TA-46558	TAPE, SHIELDING, COND. 6.5" LG
7	SP-33902	SPACER, 1/4", CIRCUIT BRD
8	NU-39735	NUT,HEX,6-32,NYLON
9	5019145	REED SWITCH ASSY,W/CONNECTORS
10	5028178	KIT, SERVICE, IB/WIFI ANTENNA
11	BZ-39711	BUZZER, SPEAKER, W/24" CABLE
12	SC-37702	SCREW, M4 X 12MM SEMS
13	5030518	KIT, ETHERNET ACCESSORY (not shown)
14	CB-34917	CABLE, ON-OFF/BOARD, TOUCH ((not shown)
15	CB-39912	CABLE, PCAP (not shown)
16	CB-46557	CABLE, USB, COMMUNICATION, 5M (not shown)
17	CB-46664	CABLE, LVDS & BL. AMPIRE (not shown)

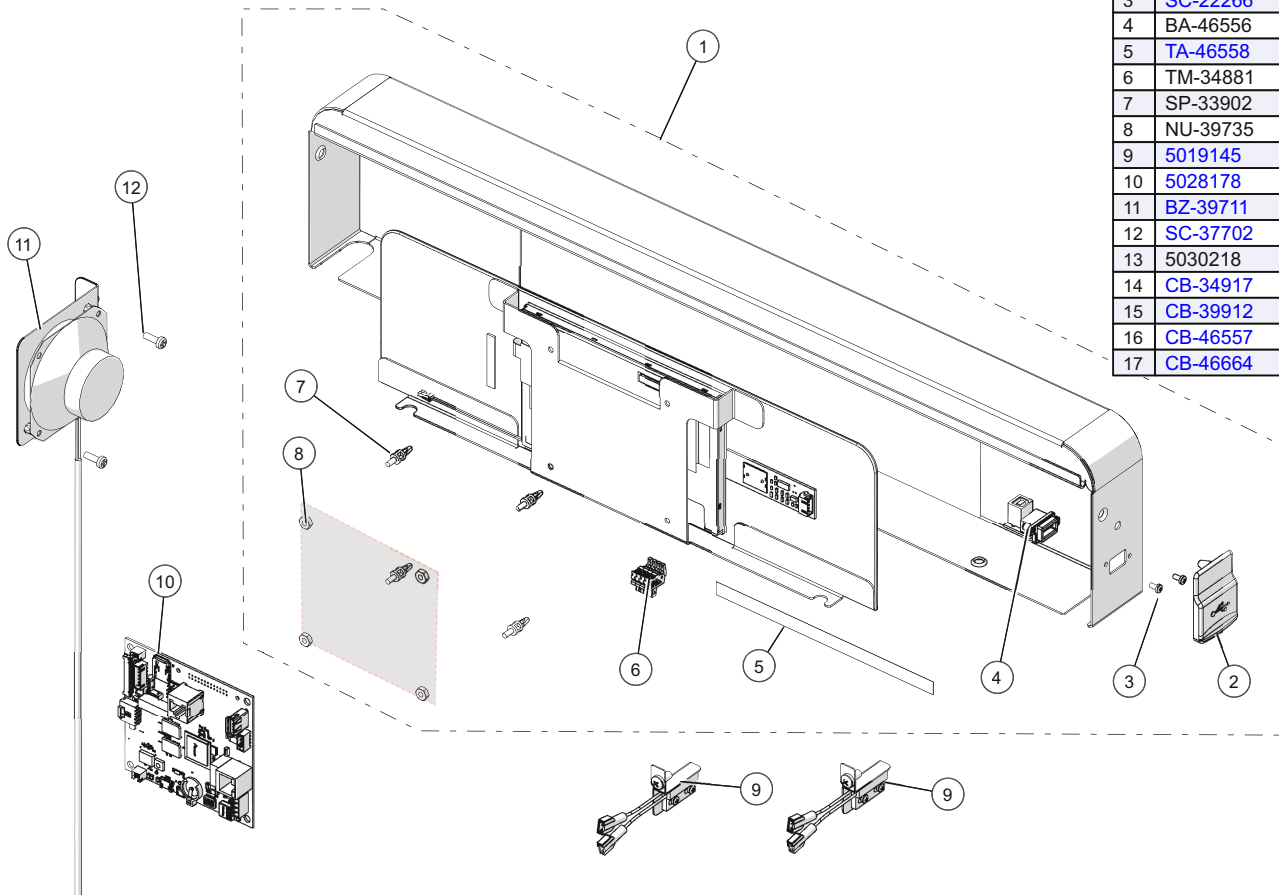
Control Package, Deluxe, 500 Series



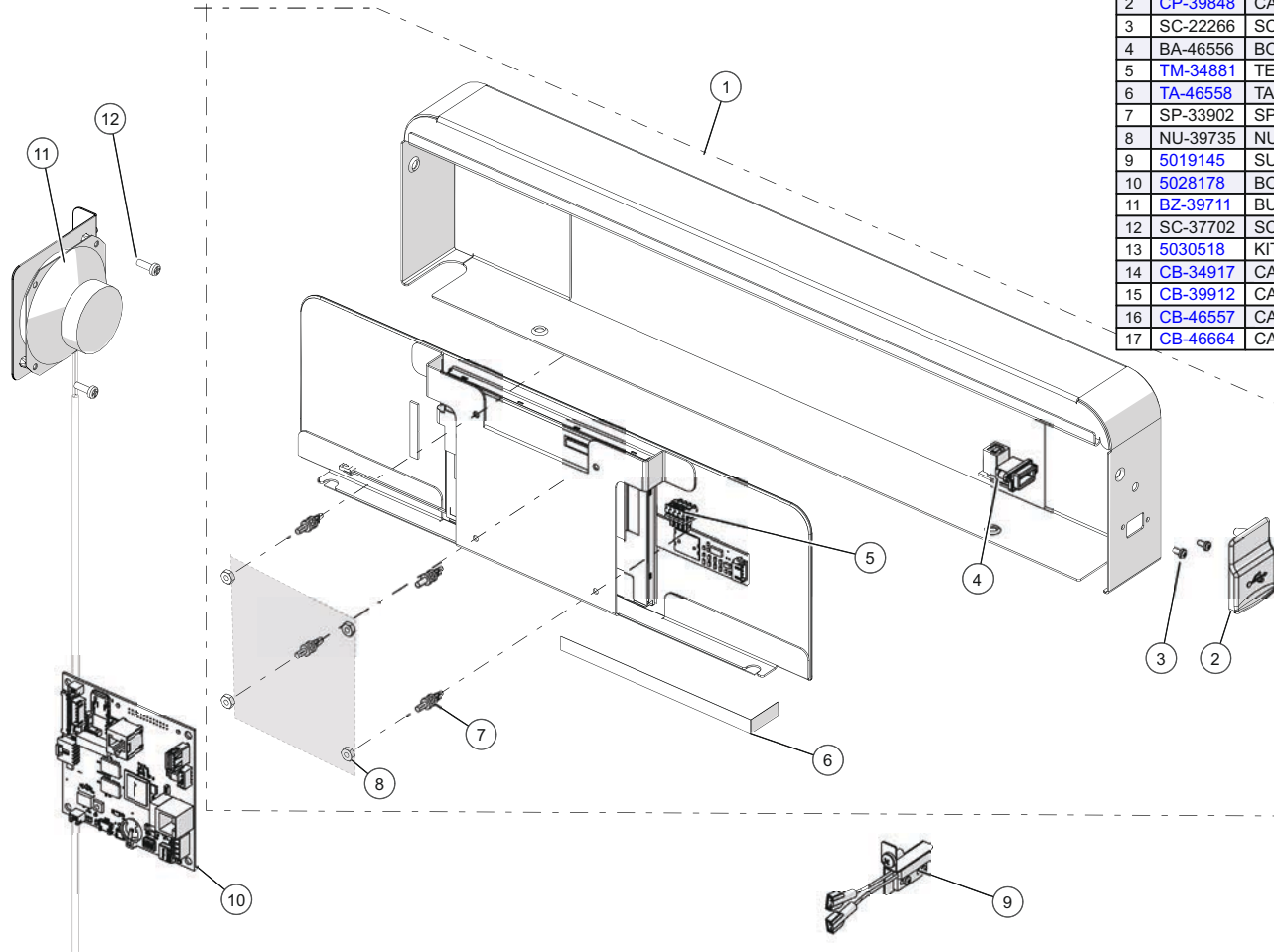
ID	Part No.	Description
1	5030784	CONTROL ASSY,DELUXE,TOUCH
1A	5027164-C005	CONTROL ASSY, DELUXE, TOUCH (RED)
2	5030784	PANEL,CONTROL POD
3	NU-39735	NUT,HEX,6-32,NYLON
4	SP-33902	SPACER, 1/4", CIRCUIT BRD
5	TM-34881	TERMINAL, 3.5MM PLUGGABLE, 4 POLE
6	TA-46558	TAPE, SHIELDING, COND., 7" LONG
7	BA-46556	BOARD,USB RECEPTACLE,90°
8	SC-22266	SCREW,M3x0.5X6MM PAN
9	CP-39848	CAP,USB
10	5019145	SURE TEMP ASSEMBLY
11	5028178	BOARD, INTERFACE
12	BZ-39711	BUZZER, SPEAKER, W/24" CABLE
13	SC-37702	SCREW, M4 X 12MM SEMS
14	5030518	KIT, ETHERNET ACCESSORY (not shown)
15	CB-34917	CABLE, ON-OFF/BOARD, TOUCH (not shown)
16	CB-39912	CABLE, PCAP (not shown)
17	CB-46557	CABLE, USB, COMM, 0.5M (not shown)
18	CB-46664	CABLE, LVDS & BL. AMPIRE (not shown)

Control Package, Deluxe, 750/1750 Series

ID	Part No.	Description
1	5030785	CONTROL ASSY,DELUXE,TOUCH
1A	5027147-C005	CONTROL ASSY,DX,TOUCH (RED)
2	CP-39848	CAP,USB
3	SC-22266	SCREW,M3x0.5X6MM PAN
4	BA-46556	BOARD,USB RECEPTACLE,90°
5	TA-46558	TAPE,SHIELDING,COND., 7" LONG
6	TM-34881	TERMINAL, 3.5MM PLUGGABLE, 4 POLE
7	SP-33902	SPACER, 1/4", CIRCUIT BRD
8	NU-39735	NUT,HEX,6-32,NYLON
9	5019145	SURE TEMP ASSEMBLY
10	5028178	BOARD, INTERFACE
11	BZ-39711	BUZZER, SPEAKER, W/24" CABLE
12	SC-37702	SCREW, M4 X 12MM SEMS
13	5030218	KIT, ETHERNET ACCESSORY (not shown)
14	CB-34917	CABLE ON-OFF/BOARD,TOUCH (not shown)
15	CB-39912	CABLE, PCAP (not shown)
16	CB-46557	CABLE,USB,COMM, 0.5M (not shown)
17	CB-46664	CABLE,LVDS & BL AMPIRE (not shown)

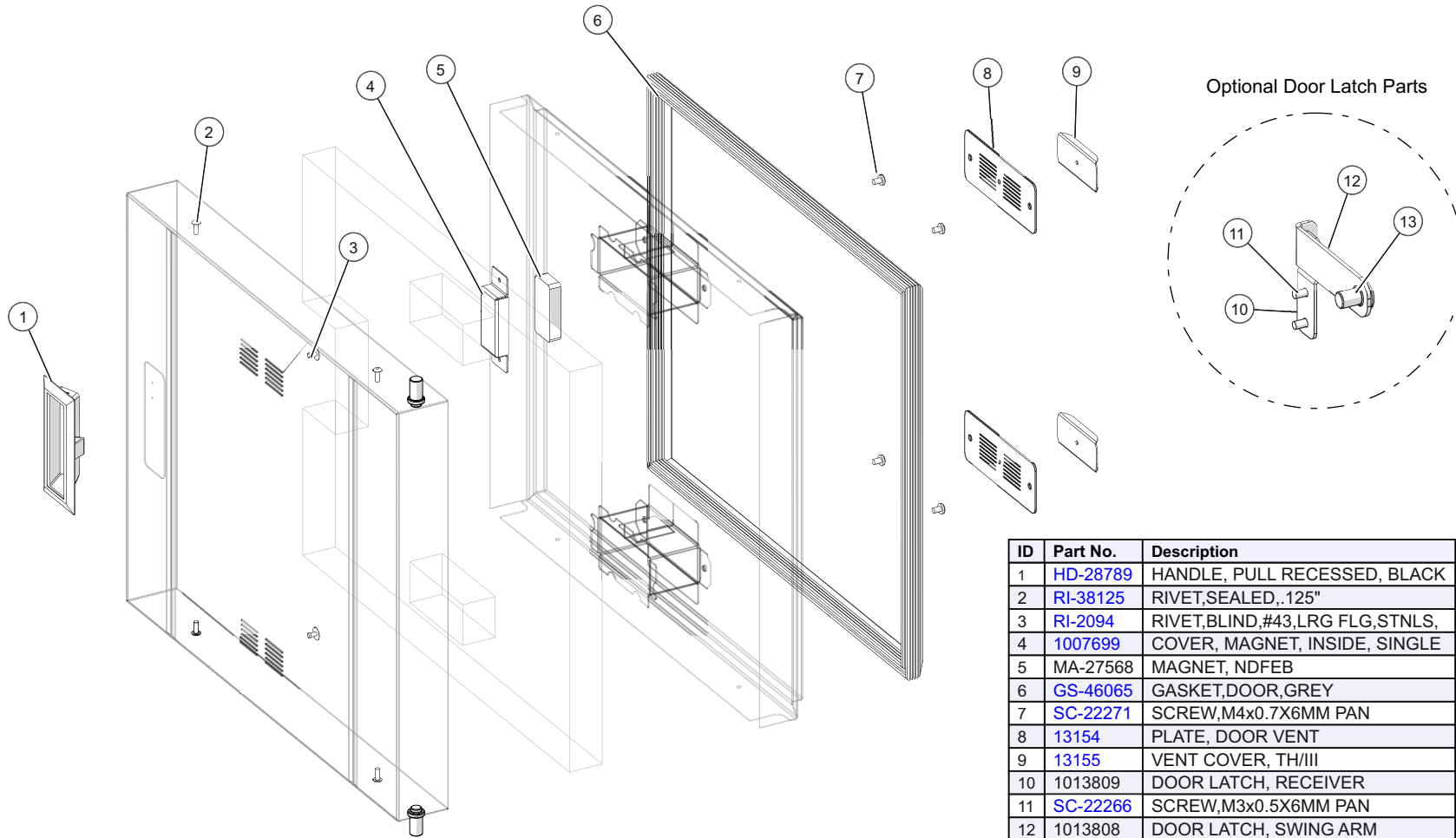


Control Package, Deluxe, 1000/1200 Series



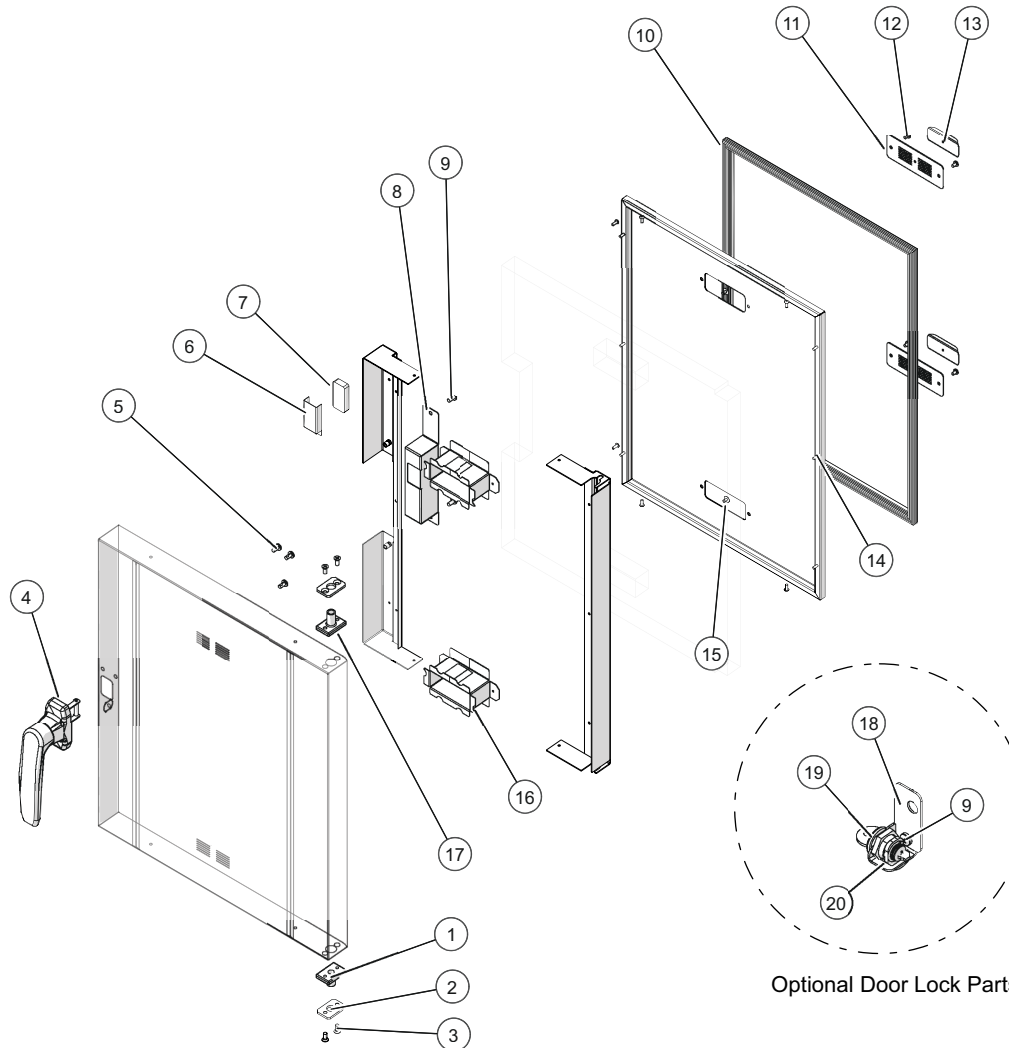
ID	Part No.	Description
1	5030783	CONTROL ASSY,DELUXE,TOUCH
2	CP-39848	CAP,USB
3	SC-22266	SCREW,M3x0.5X6MM PAN
4	BA-46556	BOARD,USB RECEPTACLE,90°
5	TM-34881	TERMINAL, 3.5MM PLUGGABLE, 4 POLE
6	TA-46558	TAPE,SHIELDING,COND., 7" LONG
7	SP-33902	SPACER, 1/4", CIRCUIT BRD
8	NU-39735	NUT,HEX,6-32,NYLON
9	5019145	SURE TEMP ASSEMBLY
10	5028178	BOARD, INTERFACE
11	BZ-39711	BUZZER, SPEAKER, W/24" CABLE
12	SC-37702	SCREW, M4 X 12MM SEMS
13	5030518	KIT, ETHERNET ACCESSORY (not shown)
14	CB-34917	CABLE, ON-OFF/BOARD, TOUCH (not shown)
15	CB-39912	CABLE, PCAP (not shown)
16	CB-46557	CABLE, USB, COMMUNICATION, 0.5M (not shown)
17	CB-46664	CABLE, LVDS & BL. AMPIRE (not shown)

Door Assembly, Solid, Deluxe 300 Series



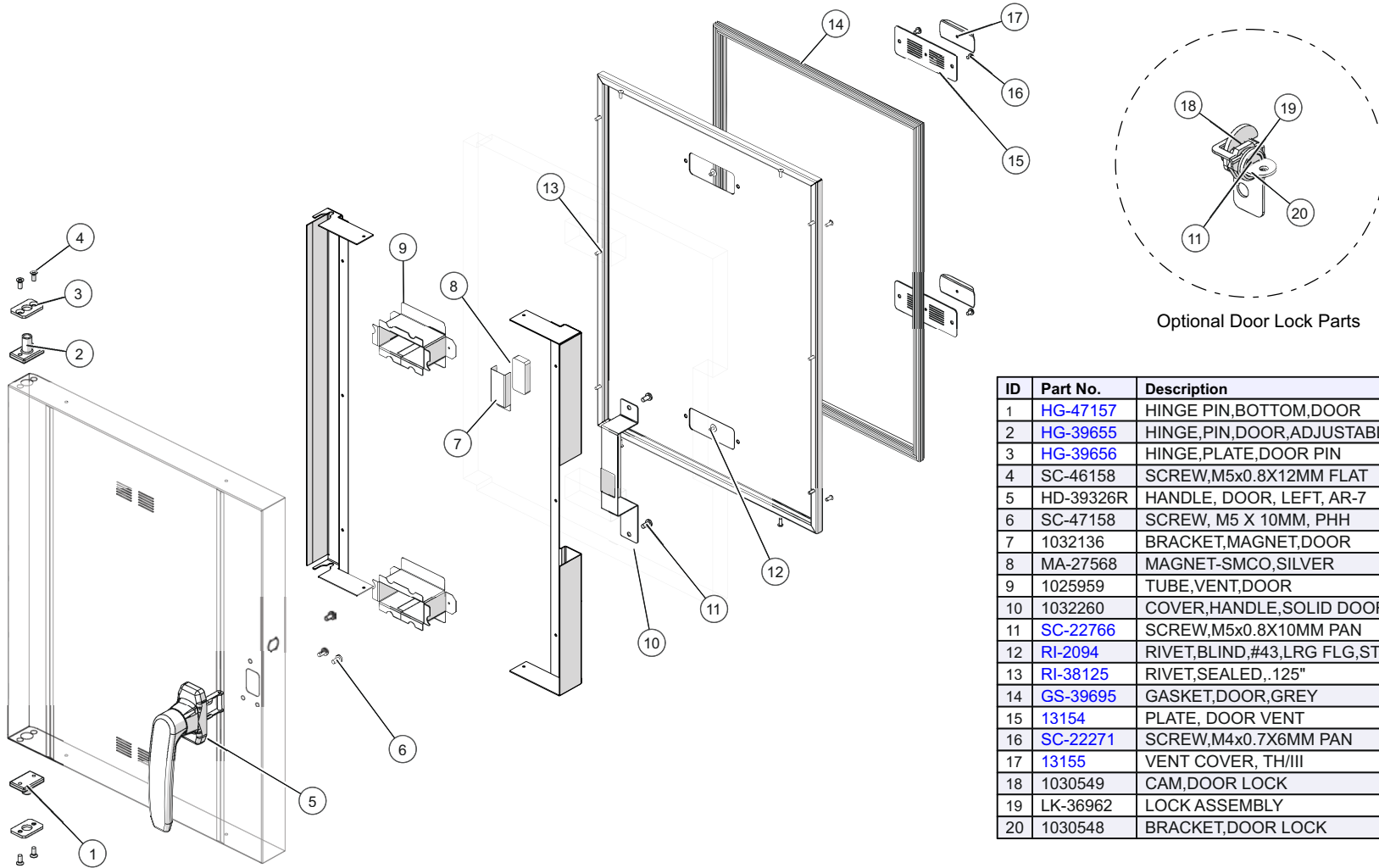
ID	Part No.	Description
1	HD-28789	HANDLE, PULL RECESSED, BLACK
2	RI-38125	RIVET,SEALED,.125"
3	RI-2094	RIVET,BLIND,#43,LRG FLG,STNLS,
4	1007699	COVER, MAGNET, INSIDE, SINGLE
5	MA-27568	MAGNET, NDFEB
6	GS-46065	GASKET,DOOR,GREY
7	SC-22271	SCREW,M4x0.7X6MM PAN
8	13154	PLATE, DOOR VENT
9	13155	VENT COVER, TH/III
10	1013809	DOOR LATCH, RECEIVER
11	SC-22266	SCREW,M3x0.5X6MM PAN
12	1013808	DOOR LATCH, SWING ARM
13	ST-2546	STUD, SHOULDER, SHORT, S/S

Door Assembly, Solid, RH, Deluxe 500 Series



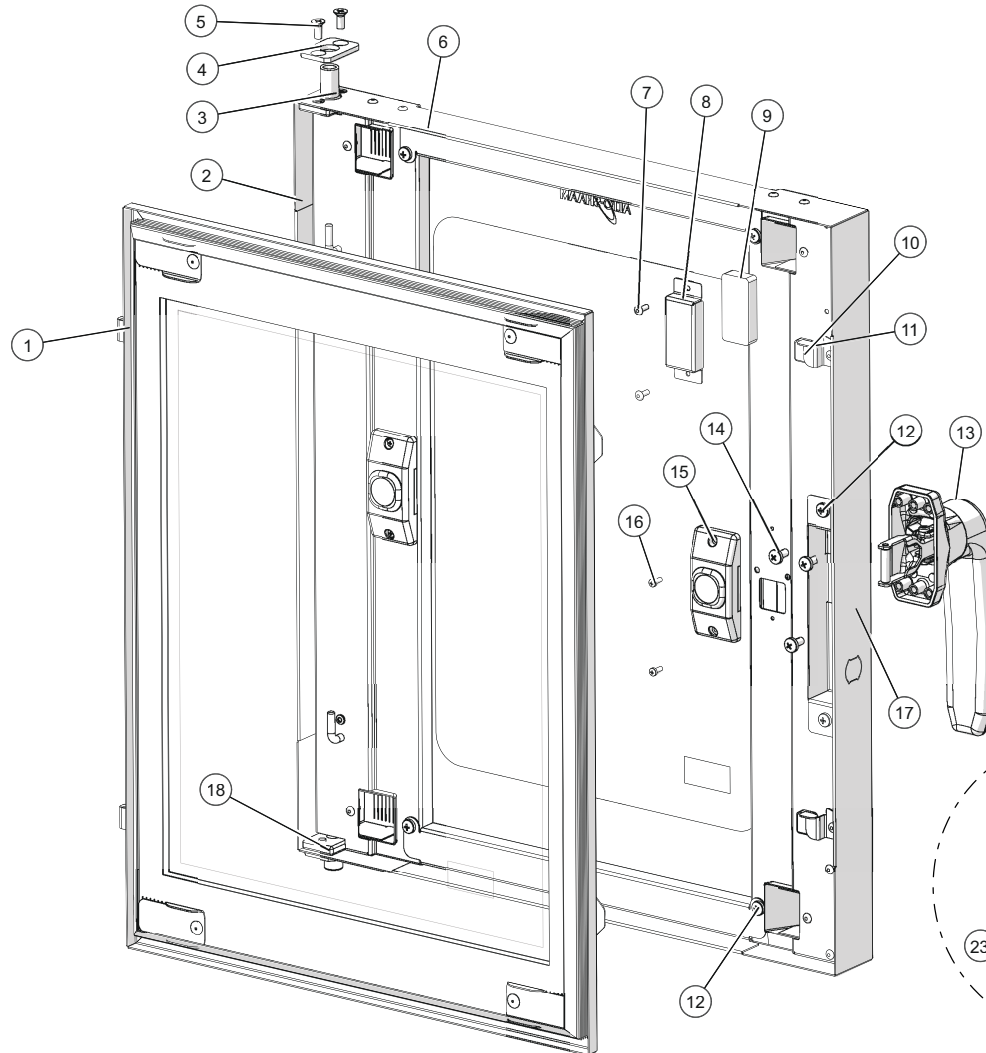
ID	Part No.	Description
1	HG-47157	HINGE PIN,BOTTOM,DOOR
2	HG-39656	HINGE,PLATE,DOOR PIN
3	SC-46158	SCREW,M5x0.8X12MM FLAT
4	HD-39262R	HANDLE, DOOR, PENDULUM
5	SC-47158	SCREW, M5 X 10MM, PHH
6	1032136	BRACKET,MAGNET,DOOR
7	MA-27568	MAGNET, NDFEB
8	1032260	COVER,HANDLE,SOLID DOOR
9	SC-22766	SCREW,M5x0.8X10MM PAN
10	GS-39695	GASKET,DOOR,GREY
11	13154	PLATE, DOOR VENT
12	SC-22271	SCREW,M4x0.7X6MM PAN
13	13155	VENT COVER, TH/III
14	RI-38125	RIVET,SEALED,.125"
15	RI-2094	RIVET,BLIND,#43,LRG FLG,STNLS,
16	1025959	TUBE,VENT,DOOR
17	HG-39655	HINGE,PIN,DOOR,ADJUSTABLE
18	1030548	BRACKET,DOOR LOCK
19	LK-36962	LOCK ASSEMBLY
20	1030549	CAM,DOOR LOCK

Door Assembly, Solid, LH, Deluxe 500 Series



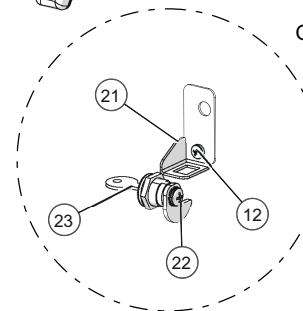
ID	Part No.	Description
1	HG-47157	HINGE PIN,BOTTOM,DOOR
2	HG-39655	HINGE,PIN,DOOR,ADJUSTABLE
3	HG-39656	HINGE,PLATE,DOOR PIN
4	SC-46158	SCREW,M5x0.8X12MM FLAT
5	HD-39326R	HANDLE, DOOR, LEFT, AR-7
6	SC-47158	SCREW, M5 X 10MM, PHH
7	1032136	BRACKET,MAGNET,DOOR
8	MA-27568	MAGNET-SMCO,SILVER
9	1025959	TUBE,VENT,DOOR
10	1032260	COVER,HANDLE,SOLID DOOR
11	SC-22766	SCREW,M5x0.8X10MM PAN
12	RI-2094	RIVET,BLIND,#43,LRG FLG,STNLS,
13	RI-38125	RIVET,SEALED, .125"
14	GS-39695	GASKET,DOOR,GREY
15	13154	PLATE, DOOR VENT
16	SC-22271	SCREW,M4x0.7X6MM PAN
17	13155	VENT COVER, TH/III
18	1030549	CAM,DOOR LOCK
19	LK-36962	LOCK ASSEMBLY
20	1030548	BRACKET,DOOR LOCK

Door Assembly, Window, RH, Deluxe 500 Series

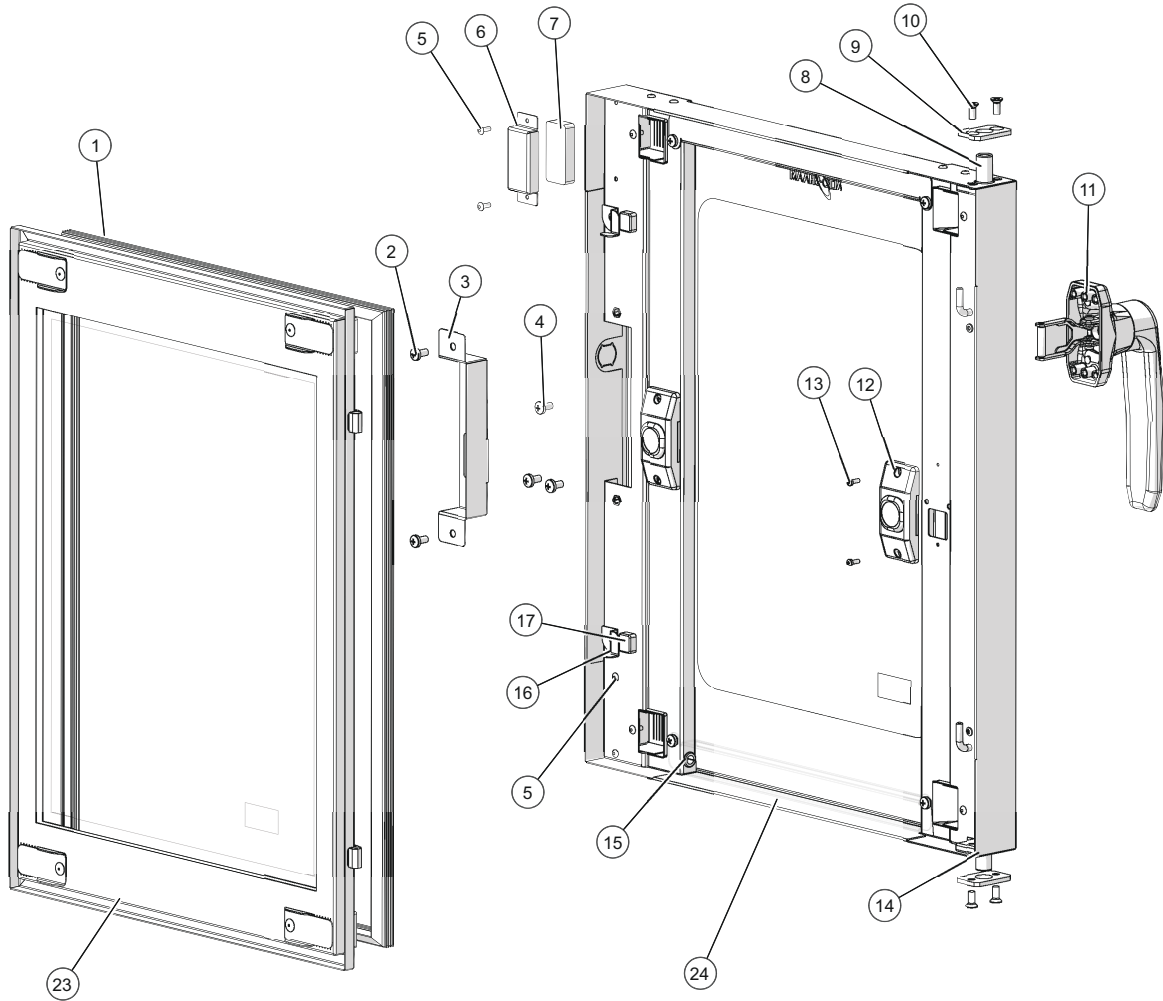


ID	Part No.	Description
1	5033376	RH INNER DOOR ASSEMBLY
2	5033613	OUTER DOOR ASSY,RH,WIN,DELUXE
3	HG-39655	HINGE,PIN,DOOR,ADJUSTABLE
4	HG-39656	HINGE,PLATE,DOOR PIN
5	SC-46158	SCREW,M5x0.8X12MM FLAT
6	BU-36038	3/8" BUSHING, SPLIT
7	RI-38125	RIVET,SEALED,.125"
8	1030853	COVER,MAGNET,WINDOW DOOR
9	MA-27568	MAGNET-SMCO,SILVER
10	SP-36060	SPACER, INNER GLASS TABLE TOP
11	1026001	CLIP,LATCH,DOOR,INNER,WINDOW
12	SC-22766	SCREW,M5x0.8X10MM PAN
13	HD-39262R	HANDLE, DOOR, PENDULUM
14	SC-47158	SCREW, M5 X 10MM, PHH
15	5028680	LIGHT, CABINET LED
16	SC-22268	SCREW,M3x0.5X8MM PAN
17	1030841	COVER,HANDLE,WINDOW DOOR
18	HG-47157	HINGE PIN,BOTTOM,DOOR
21	1030548	BRACKET,DOOR LOCK
22	1030549	CAM,DOOR LOCK
23	LK-36962	LOCK ASSEMBLY
24	CB-46576	CABLE HARNESS,CAVITY LIGHT,84" (not shown)

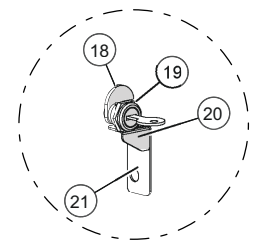
Optional Door Lock Parts



Door Assembly, Window, LH, Deluxe 500 Series

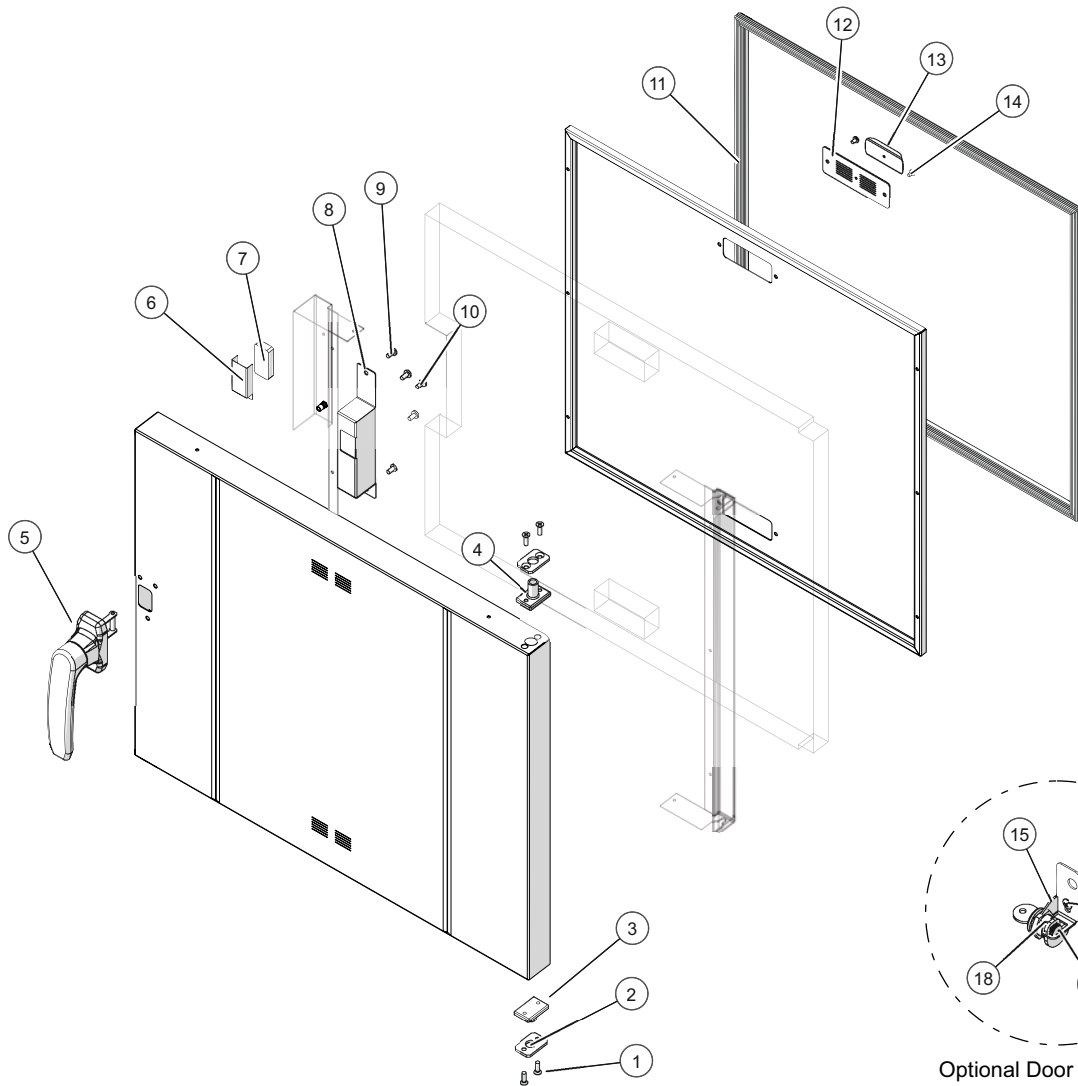


ID	Part No.	Description
1	GS-39695	GASKET,DOOR,GREY
2	SC-22766	SCREW,M5x0.8X10MM PAN
3	1030841	COVER,HANDLE,WINDOW DOOR
4	SC-47158	SCREW, M5 X 10MM, PHH
5	RI-38125	RIVET,SEALED,,125"
6	1030853	COVER,MAGNET,WINDOW DOOR
7	MA-27568	MAGNET, NDFEB
8	HG-39655	HINGE,PIN,DOOR,ADJUSTABLE
9	HG-39656	HINGE,PLATE,DOOR PIN
10	SC-46158	SCREW,M5x0.8X12MM FLAT
11	HD-39326R	HANDLE, DOOR, LEFT
12	5028680	LIGHT, CABINET LED
13	SC-22268	SCREW,M3x0.5X8MM PAN
14	HG-47157	HINGE PIN,BOTTOM,DOOR
15	BU-36038	3/8" BUSHING, SPLIT
16	1026001	CLIP,LATCH,DOOR,INNER,WINDOW
17	SP-36060	SPACER, INNER GLASS TABLE TOP
18	1030549	CAM,DOOR LOCK
19	LK-36962	LOCK ASSEMBLY
20	SC-22766	SCREW,M5x0.8X10MM PAN
21	1030548	BRACKET,DOOR LOCK
22	CB-46576	CBL HARNESS, CAVITY LT,84" (not shown)
23	5033836	LH INNER DOOR ASSEMBLY
24	5033629	OUTER DOOR,ASSY,LH,WIN,DELUXE

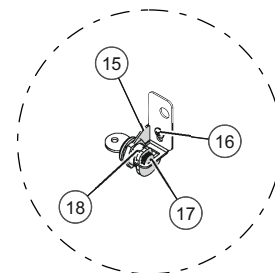


Optional Door Lock Parts

Door Assembly, Solid, RH, Deluxe 750/1750 Series

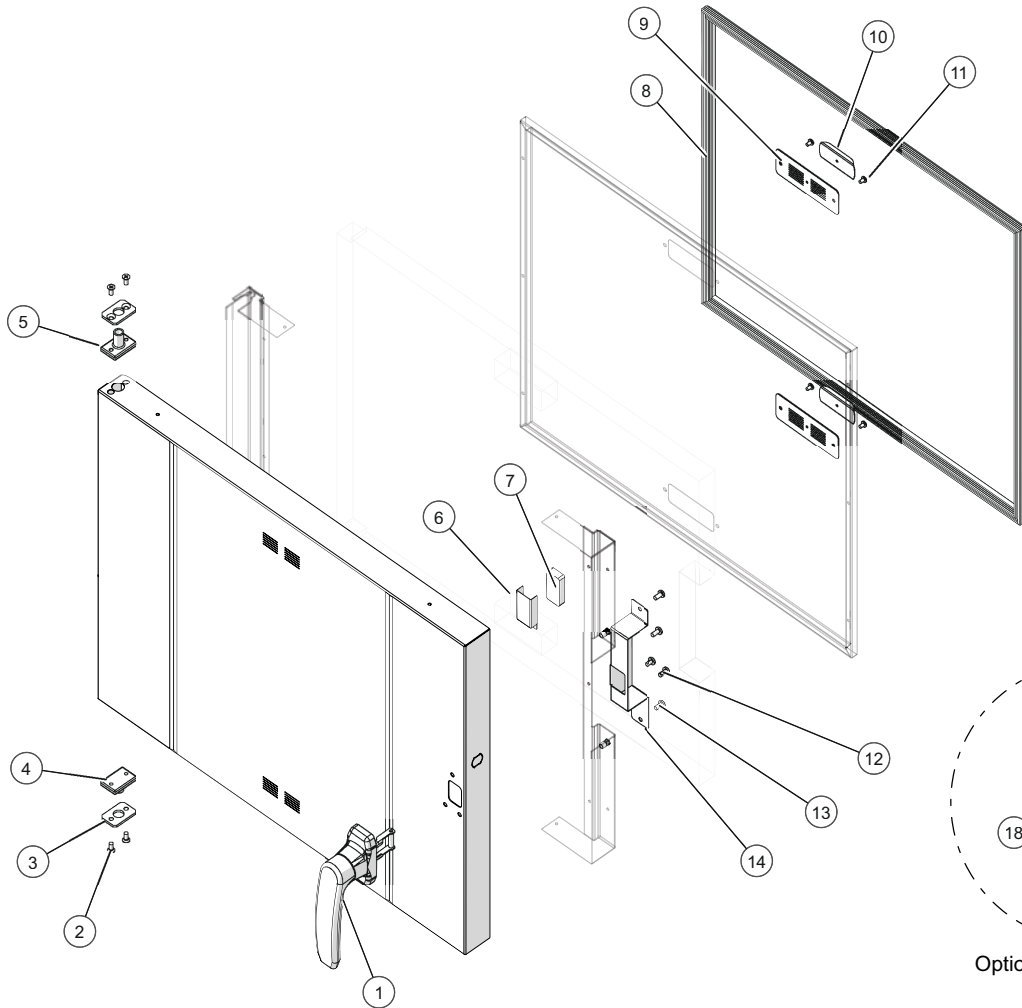


ID	Part No.	Description
1	SC-22281	SCREW,M5x0.8X16MM FLAT
2	HG-39656	HINGE,PLATE,DOOR PIN
3	HG-47157	HINGE PIN,BOTTOM,DOOR
4	HG-39655	HINGE,PIN,DOOR,ADJUSTABLE
5	HD-39262	HANDLE, DOOR, PENDLUM
6	1032136	BRACKET,MAGNET,DOOR
7	MA-27568	MAGNET-SMCO,SILVER
8	1032260	COVER,HANDLE,SOLID DOOR
9	SC-22766	SCREW,M5x0.8X10MM PAN
10	SC-47158	SCREW, M5 X 10MM, PHH
11	GS-39696	GASKET,DOOR,GREY
12	13154	PLATE, DOOR VENT
13	13155	VENT COVER, TH/III
14	SC-22271	SCREW,M4x0.7X6MM PAN
15	1030548	BRACKET,DOOR LOCK
16	SC-22766	SCREW,M5x0.8X10MM PAN
17	1030549	CAM,DOOR LOCK
18	LK-36962	LOCK ASSEMBLY

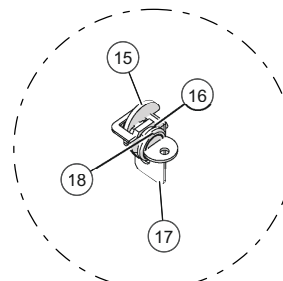


Optional Door Lock Parts

Door Assembly, Solid, LH, Deluxe 750/1750 Series

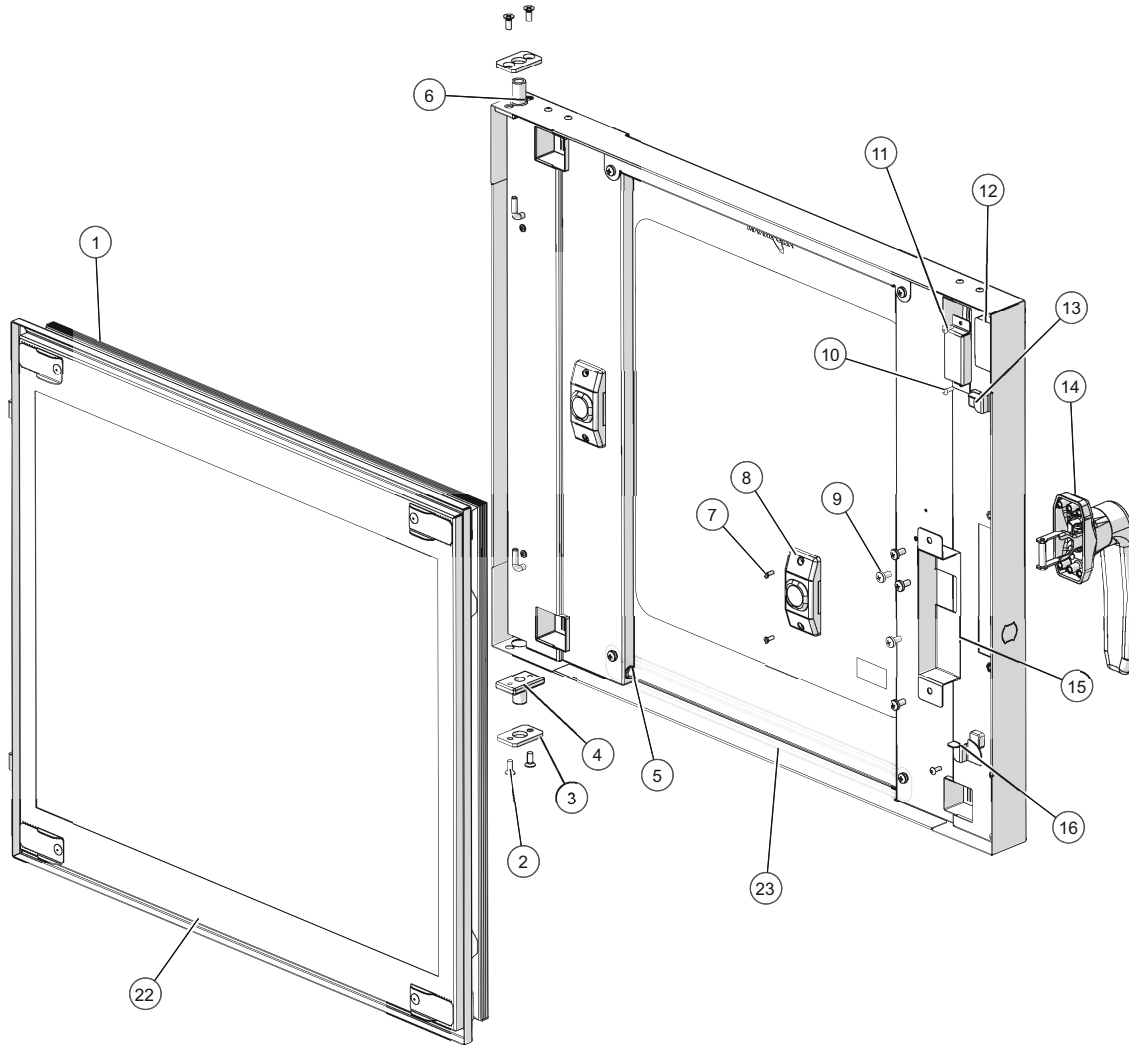


ID	Part No.	Description
1	HD-39326	HANDLE, DOOR, LEFT
2	SC-46158	SCREW,M5x0.8X12MM FLAT
3	HG-39656	HINGE,PLATE,DOOR PIN
4	HG-47157	HINGE PIN,BOTTOM,DOOR
5	HG-39655	HINGE,PIN,DOOR,ADJUSTABLE
6	1032136	BRACKET,MAGNET,DOOR
7	MA-27568	MAGNET-SMCO,SILVER
8	GS-39696	GASKET,DOOR,GREY
9	13154	PLATE, DOOR VENT
10	13155	VENT COVER, TH/III
11	SC-22271	SCREW,M4x0.7X6MM PAN
12	SC-47158	SCREW, M5 X 10MM, PHH
13	SC-22766	SCREW,M5x0.8X10MM PAN
14	1032260	COVER,HANDLE,SOLID DOOR
15	1030549	CAM,DOOR LOCK
16	LK-36962	LOCK ASSEMBLY
17	1030548	BRACKET,DOOR LOCK
18	SC-22766	SCREW,M5x0.8X10MM PAN

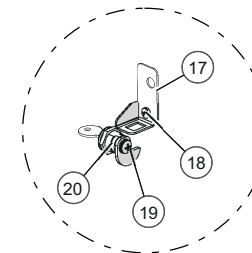


Optional Door Lock Parts

Door Assembly, Window, RH, Deluxe 750/1750 Series

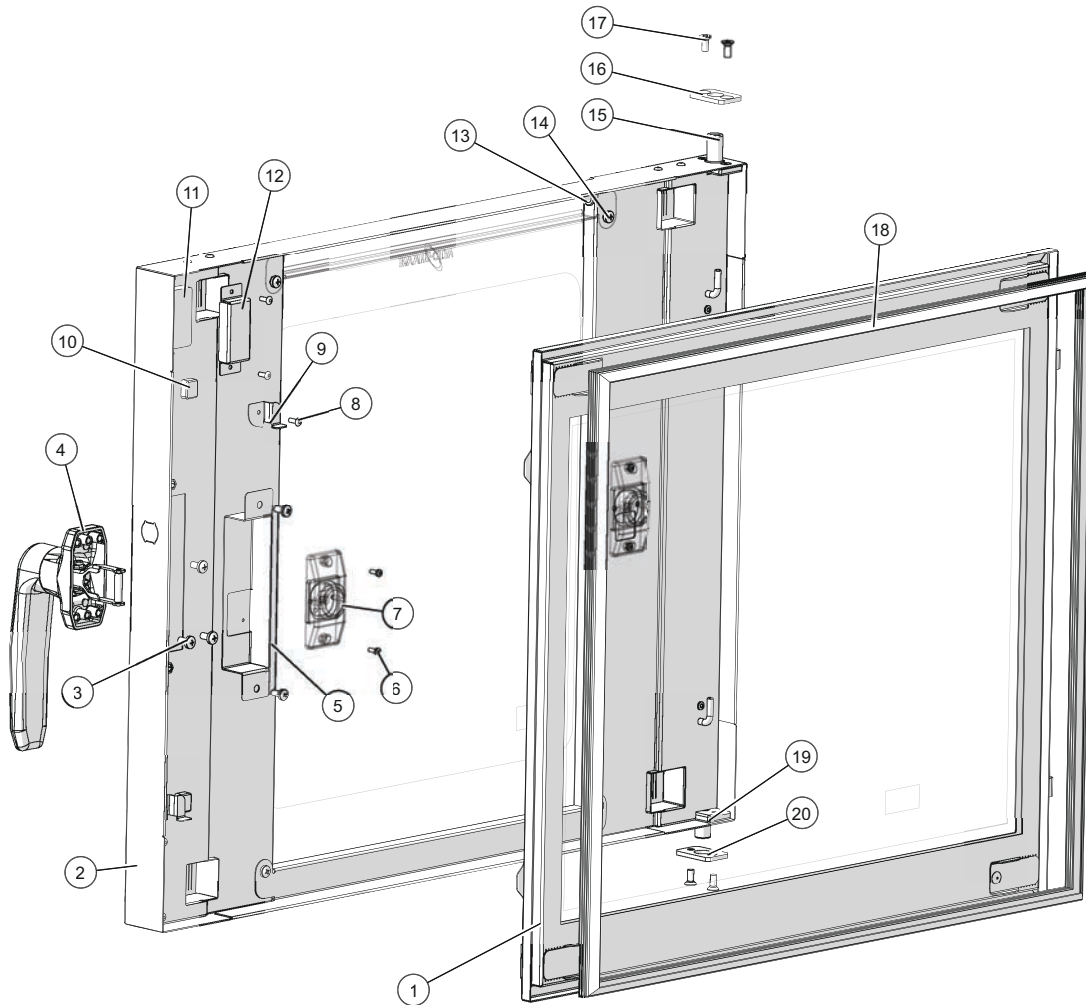


ID	Part No.	Description
1	GS-39696	GASKET,DOOR,GREY
2	SC-46158	SCREW,M5x0.8X12MM FLAT
3	HG-39656	HINGE,PLATE,DOOR PIN
4	HG-47157	HINGE PIN,BOTTOM,DOOR
5	BU-36038	3/8" BUSHING, SPLIT
6	HG-39655	HINGE,PIN,DOOR,ADJUSTABLE
7	SC-22268	SCREW,M3x0.5X8MM PAN
8	5028680	LIGHT, CABINET LED
9	SC-47158	SCREW, M5 X 10MM, PHH
10	RI-38125	RIVET,SEALED,.125"
11	1030853	COVER,MAGNET,WINDOW DOOR
12	MA-27568	MAGNET, NDFEB
13	SP-36060	SPACER, INNER GLASS TABLE TOP
14	HD-39262R	HANDLE, DOOR, PENDLUM
15	1030841	COVER,HANDLE,WINDOW DOOR
16	1026001	CLIP,LATCH,DOOR,INNER,WINDOW
17	1030548	BRACKET,DOOR LOCK
18	SC-22766	SCREW,M5x0.8X10MM PAN
19	1030549	CAM,DOOR LOCK
20	LK-36962	LOCK ASSEMBLY
21	CB-46576	CBL HARNESS,CAVITY LT,84" (not shown)
22	5033377	RH INNER DOOR ASSEMBLY
23	5033663	OUTER DOOR,ASSY,RH,WIN,DELUXE



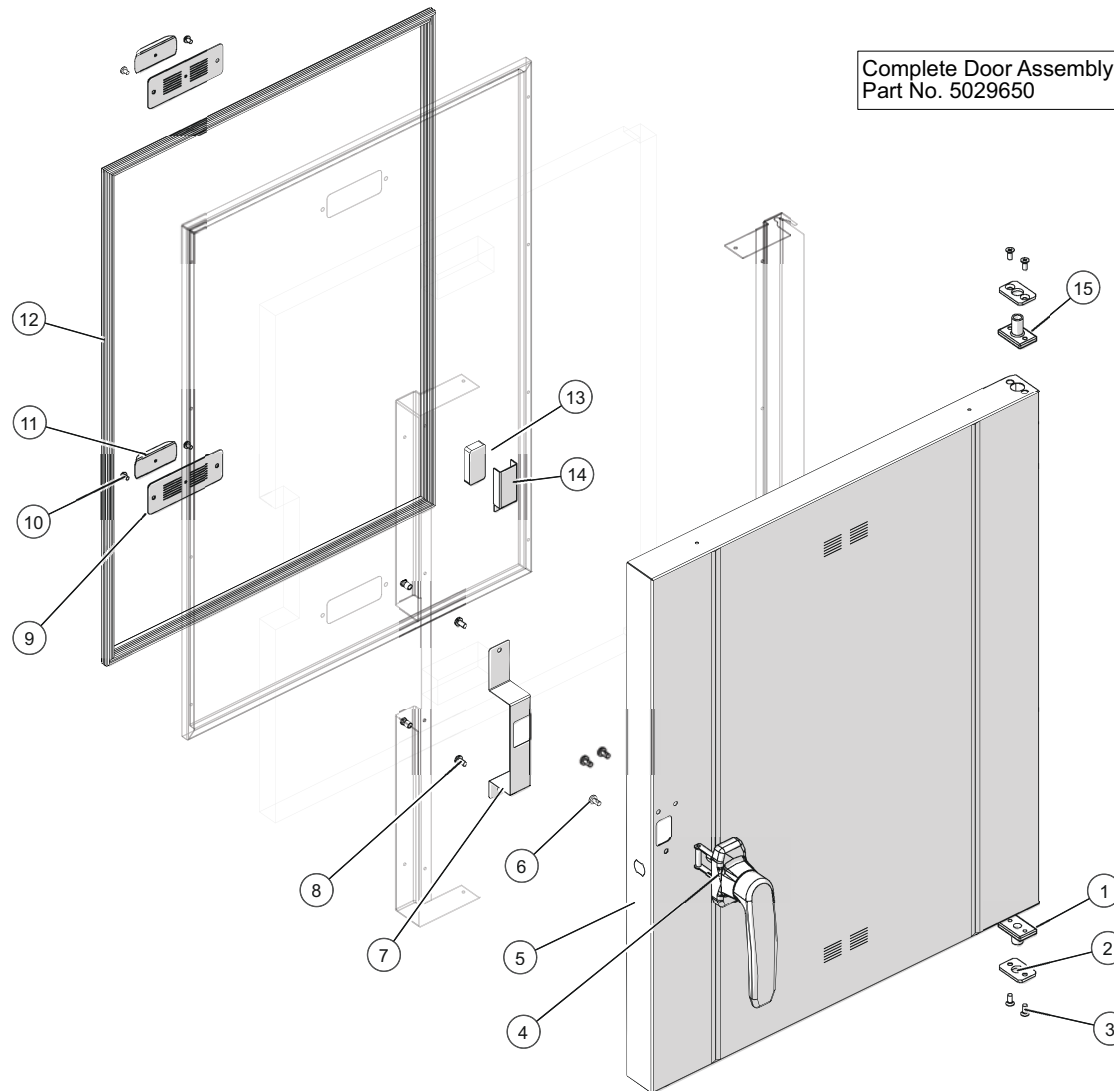
Optional Door Lock Parts

Door Assembly, Window, LH, Deluxe 750/1750 Series

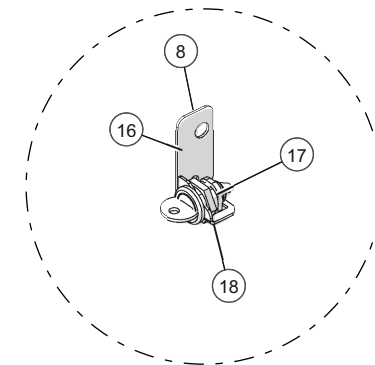


ID	Part No.	Description
1	5033838	LH INNER DOOR ASSEMBLY
2	5033677	OUTER DOOR, ASSY, LH, WIN, DELUXE
3	SC-47158	SCREW, M5 X 10MM, PHH
4	HD-39326R	HANDLE, DOOR, LEFT, AR-7
5	1030841	COVER, HANDLE, WINDOW DOOR
6	SC-22268	SCREW, M3x0.5X8MM PAN
7	5028680	LIGHT, CABINET LED
8	RI-38125	RIVET, SEALED, .125"
9	1026001	CLIP, LATCH, DOOR, INNER, WINDOW
10	SP-36060	SPACER, INNER GLASS TABLE TOP
11	MA-27568	MAGNET, NDFEB
12	1030853	COVER, MAGNET, WINDOW DOOR
13	BU-36038	3/8" BUSHING, SPLIT
14	SC-22766	SCREW, M5x0.8X10MM PAN
15	HG-39655	HINGE, PIN, DOOR, ADJUSTABLE
16	HG-39656	HINGE, PLATE, DOOR PIN
17	SC-46158	SCREW, M5x0.8X12MM FLAT
18	GS-39696	GASKET, DOOR, GREY
19	HG-47157	HINGE PIN, BOTTOM, DOOR
20	HG-39656	HINGE, PLATE, DOOR PIN
21	CB-46576	CBL HARNESS, CAVITY LT, 84" (not shown)

Door Assembly, Solid, RH, Deluxe 1000/1200 Series

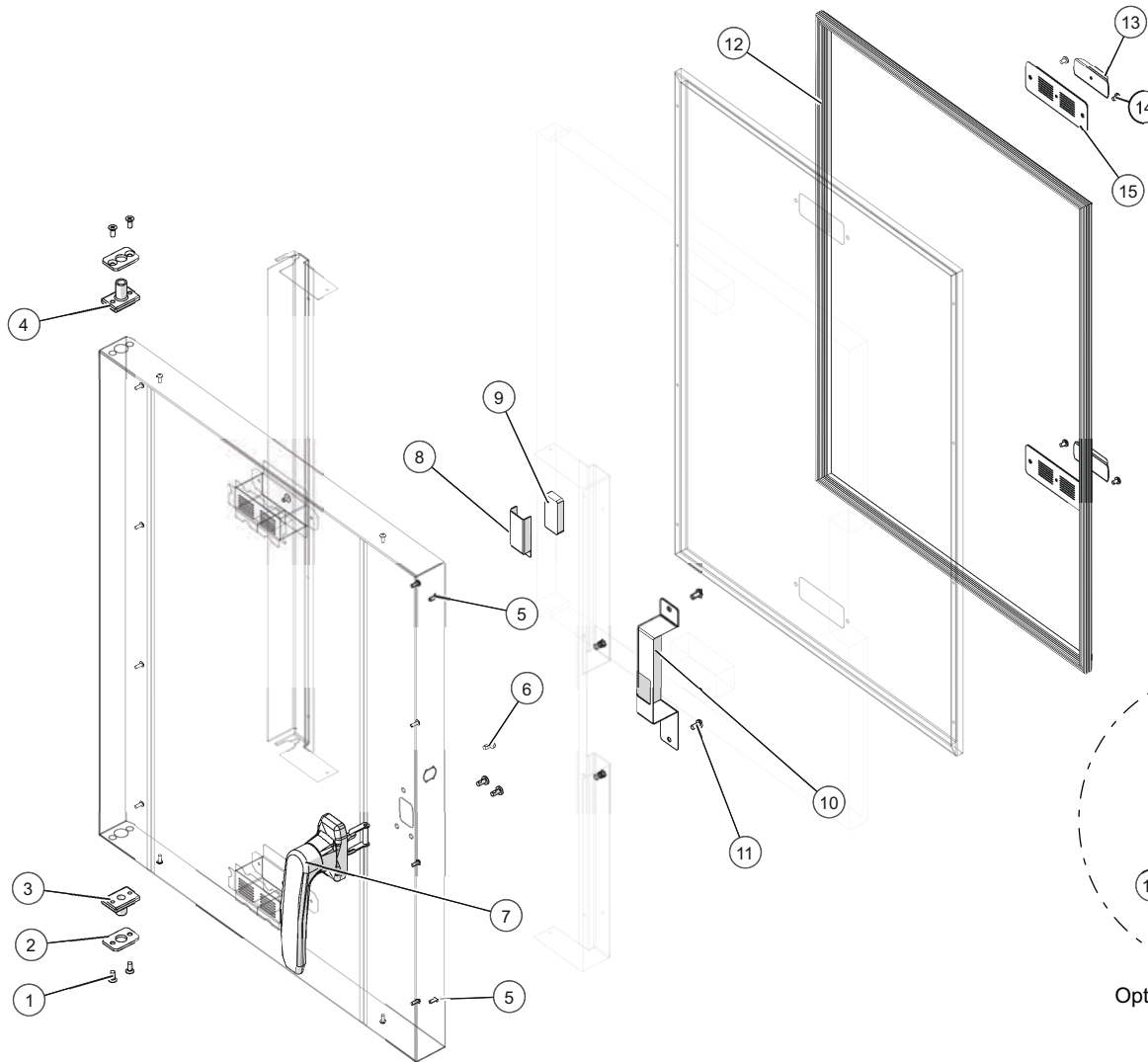


ID	Part No.	Description
1	HG-47157	HINGE PIN,BOTTOM,DOOR
2	HG-39656	HINGE,PLATE,DOOR PIN
3	SC-46158	SCREW,M5x0.8X12MM FLAT
4	HD-39262	HANDLE, DOOR, PENDLUM
5	1025947	PANEL,DOOR,OUTER,SOLID
6	SC-47158	SCREW, M5 X 10MM, PHH
7	1032260	COVER,HANDLE,SOLID DOOR
8	SC-22766	SCREW,M5x0.8X10MM PAN
9	13154	PLATE, DOOR VENT
10	SC-22271	SCREW,M4x0.7X6MM PAN
11	13155	VENT COVER, TH/III
12	GS-39694	GASKET,DOOR,GREY
13	MA-27568	MAGNET, NDFEB
14	1032136	BRACKET,MAGNET,DOOR
15	HG-39655	HINGE,PIN,DOOR,ADJUSTABLE
16	1030548	BRACKET,DOOR LOCK
17	LK-36962	LOCK ASSEMBLY
18	1030549	CAM,DOOR LOCK

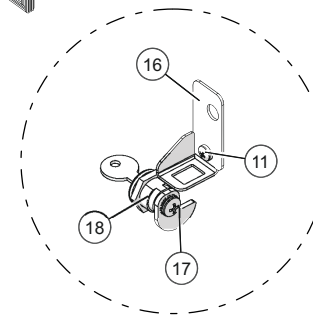


Optional Door Lock Parts

Door Assembly, Solid, LH, Deluxe 1000/1200 Series

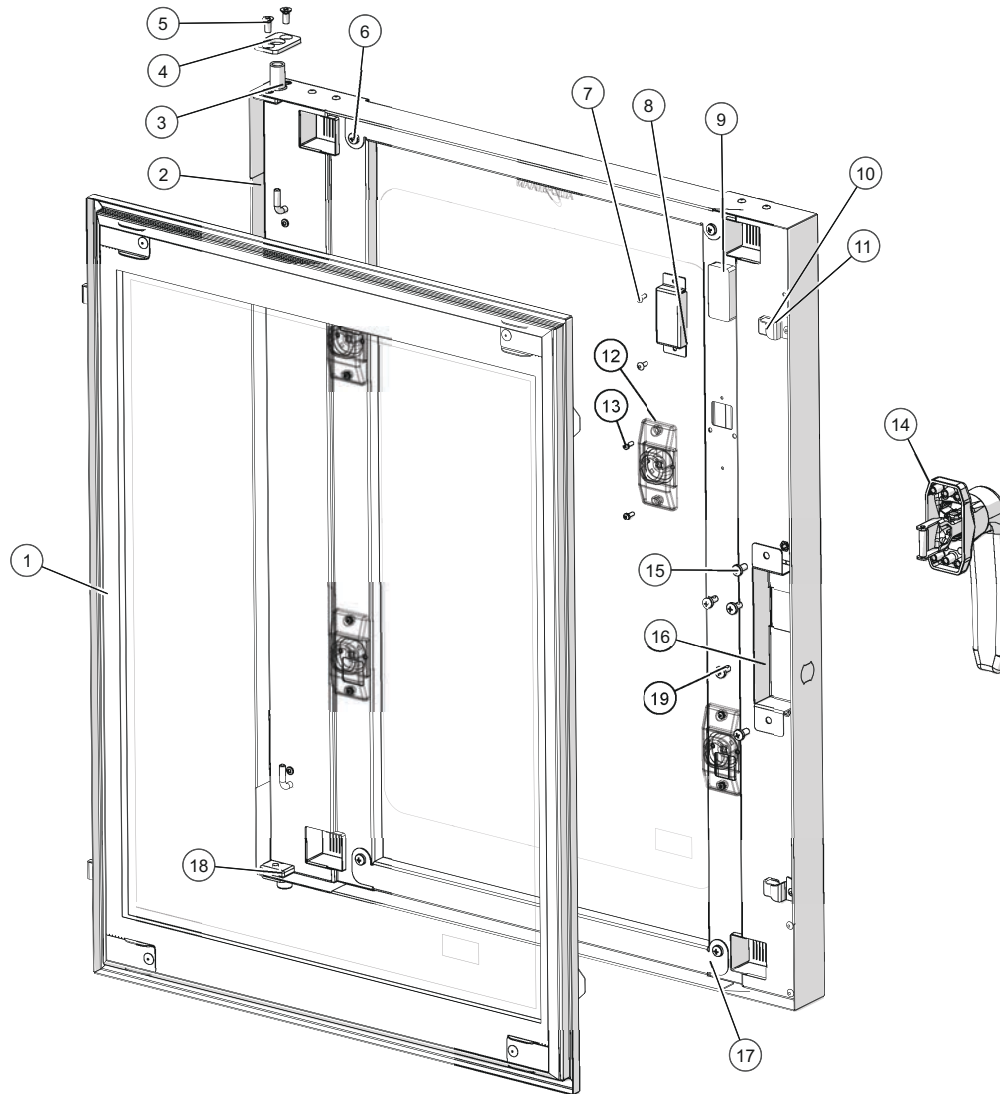


ID	Part No.	Description
1	SC-46158	SCREW,M5x0.8X12MM FLAT
2	HG-39656	HINGE,PLATE,DOOR PIN
3	HG-47157	HINGE PIN,BOTTOM,DOOR
4	HG-39655	HINGE,PIN,DOOR,ADJUSTABLE
5	RI-38125	RIVET,SEALED,.125"
6	SC-47158	SCREW, M5 X 10MM, PHH
7	HD-39326	HANDLE, DOOR, LEFT, AR-7
8	1032136	BRACKET,MAGNET,DOOR
9	MA-27568	MAGNET, NDFEB
10	1032260	COVER,HANDLE,SOLID DOOR
11	SC-22766	SCREW,M5x0.8X10MM PAN
12	GS-39694	GASKET,DOOR,GREY
13	13155	VENT COVER, TH/III
14	SC-22271	SCREW,M4x0.7X6MM PAN
15	13154	PLATE, DOOR VENT
16	1030548	BRACKET,DOOR LOCK
17	1030549	CAM,DOOR LOCK
18	LK-36962	LOCK ASSEMBLY



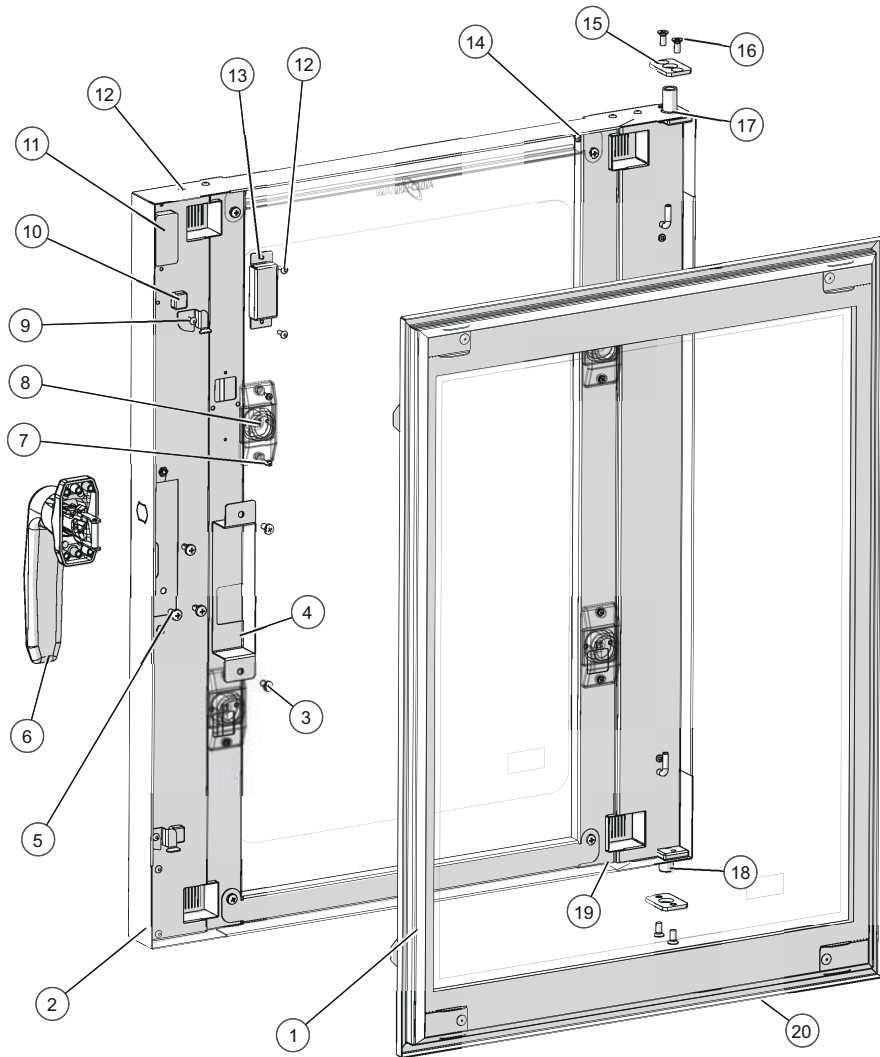
Optional Door Lock Parts

Door Assembly, Window, RH, Deluxe 1000/1200 Series



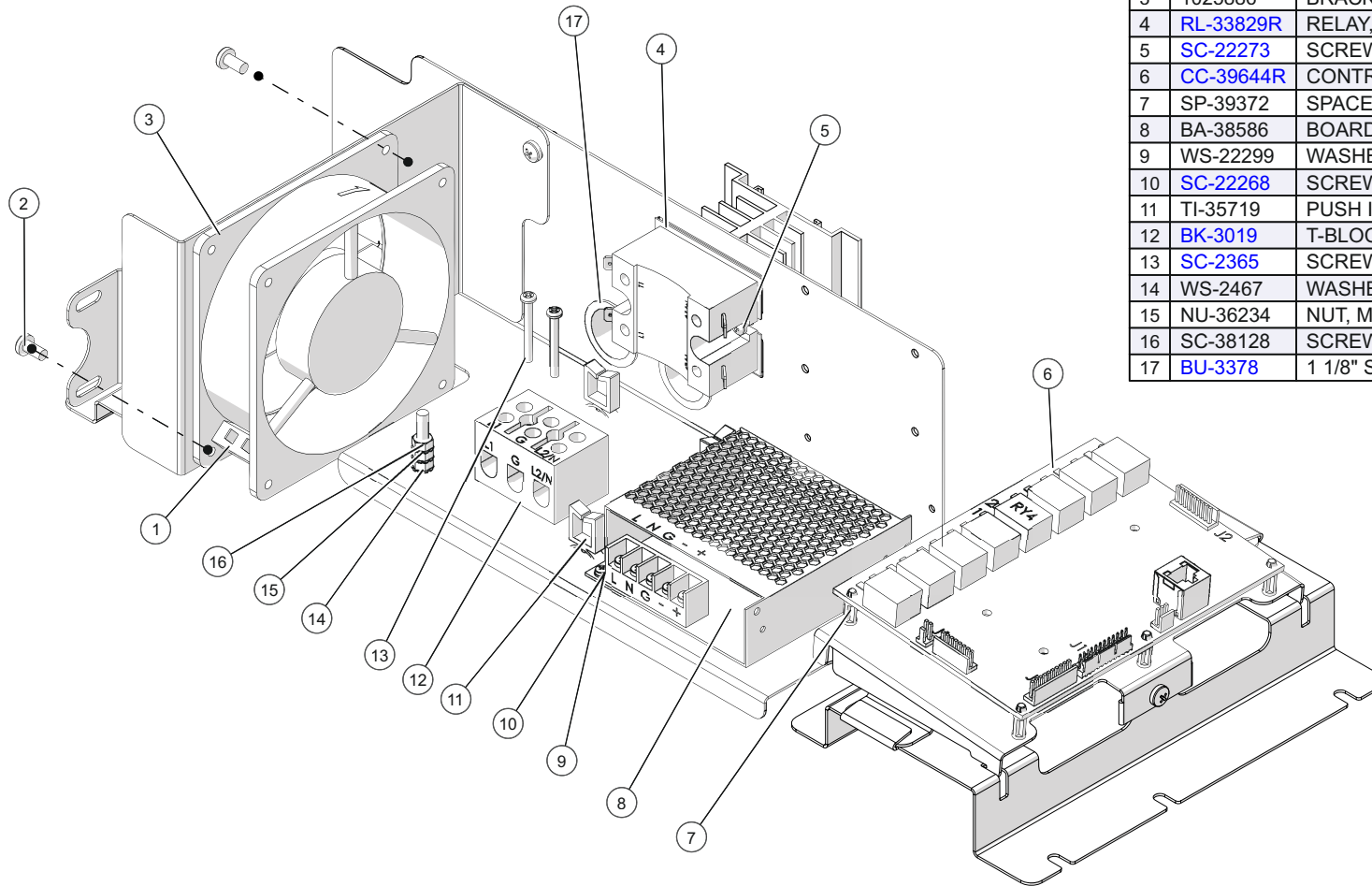
ID	Part No.	Description
1	5033378	RH INNER DOOR ASSEMBLY
2	5033720	OUTER DOOR ASSY,RH,WIN,DELUXE
3	HG-39655	HINGE,PIN,DOOR,ADJUSTABLE
4	HG-39656	HINGE,PLATE,DOOR PIN
5	SC-46158	SCREW,M5x0.8X12MM FLAT
6	SC-22766	SCREW,M5x0.8X10MM PAN
7	RI-38125	RIVET,SEALED,.125"
8	1030853	COVER,MAGNET,WINDOW DOOR
9	MA-27568	MAGNET-SMCO,SILVER
10	SP-36060	SPACER, INNER GLASS TABLE TOP
11	1026001	CLIP,LATCH,DOOR,INNER,WINDOW
12	5028680	LIGHT, CABINET LED
13	SC-22268	SCREW,M3x0.5X8MM PAN
14	HD-39262	HANDLE, DOOR, PENDLUM
15	SC-22766	SCREW,M5x0.8X10MM PAN
16	1030841	COVER,HANDLE,WINDOW DOOR
17	BU-36038	3/8" BUSHING, SPLIT
18	HG-47157	HINGE PIN,BOTTOM,DOOR
19	SC-47158	SCREW, M5 X 10MM, PHH
20	CB-46576	CABLE HARNESS,CAVITY LIGHT,84" (not shown)

Door Assembly, Window, LH, Deluxe 1000/1200 Series



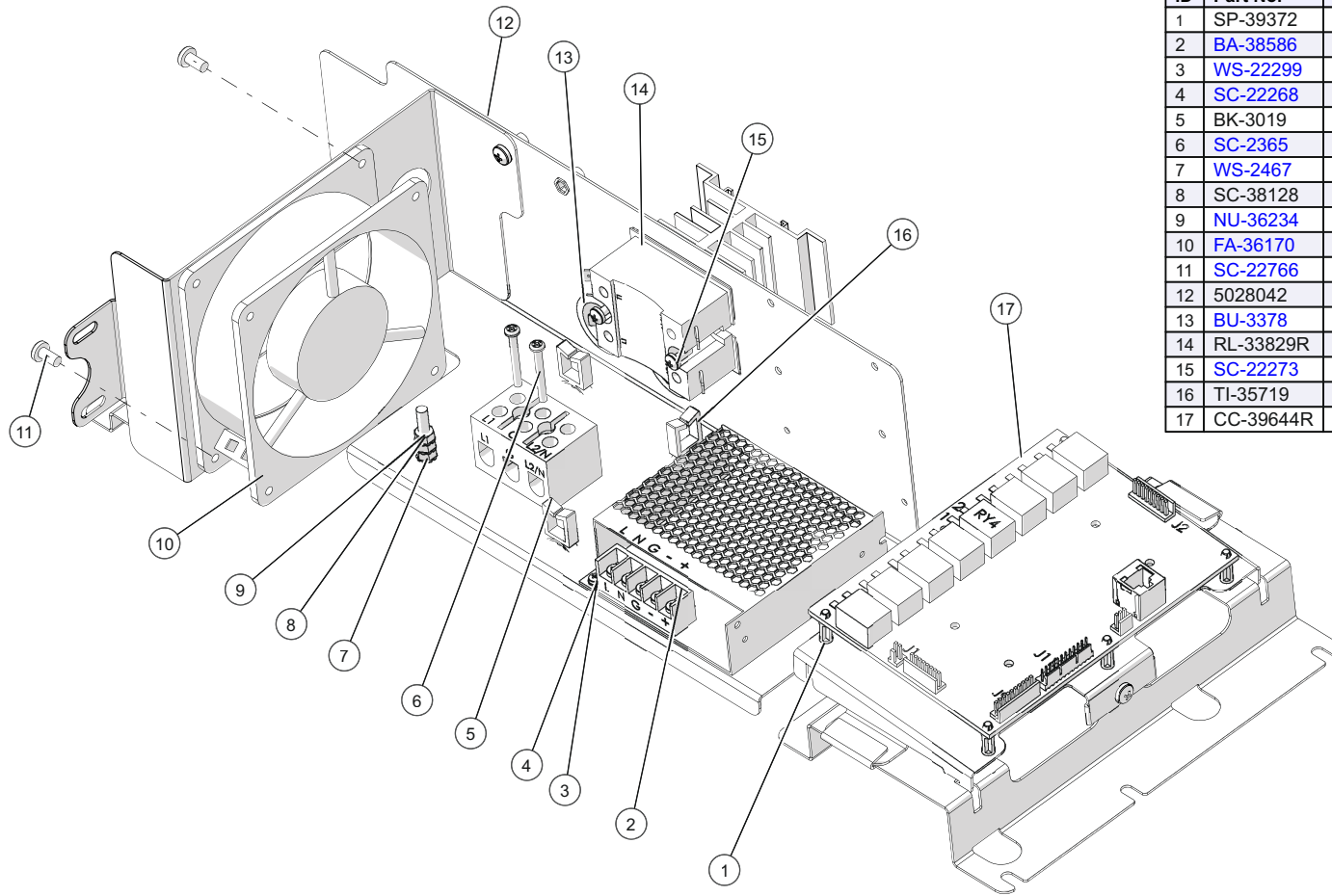
ID	Part No.	Description
1	5033840	LH INNER DOOR ASSEMBLY
2	5033726	OUTER DOOR ASSY,LH,WIN,DELUXE
3	SC-22766	SCREW,M5x0.8X10MM PAN
4	1030841	COVER,HANDLE,WINDOW DOOR
5	SC-47158	SCREW, M5 X 10MM, PHH
6	HD-39326	HANDLE, DOOR, LEFT, AR-7
7	SC-22268	SCREW,M3x0.5X8MM PAN
8	5028680	LIGHT, CABINET LED
9	1026001	CLIP,LATCH,DOOR,INNER,WINDOW
10	SP-36060	SPACER, INNER GLASS TABLE TOP
11	MA-27568	MAGNET, NDFEB
12	RI-38125	RIVET,SEALED,.125"
13	1030853	COVER,MAGNET,WINDOW DOOR
14	BU-36038	3/8" BUSHING, SPLIT
15	HG-39656	HINGE,PLATE,DOOR PIN
16	SC-46158	SCREW,M5x0.8X12MM FLAT
17	HG-39655	HINGE,PIN,DOOR,ADJUSTABLE
18	HG-47157	HINGE PIN,BOTTOM,DOOR
19	RI-38125	RIVET,SEALED,.125"
20	GS-39694	GASKET,DOOR,GREY
21	CB-46576	CBL HARNESS,CAVITY LT,84" (not shown)

Electrical Chassis, 120V, 300 Series



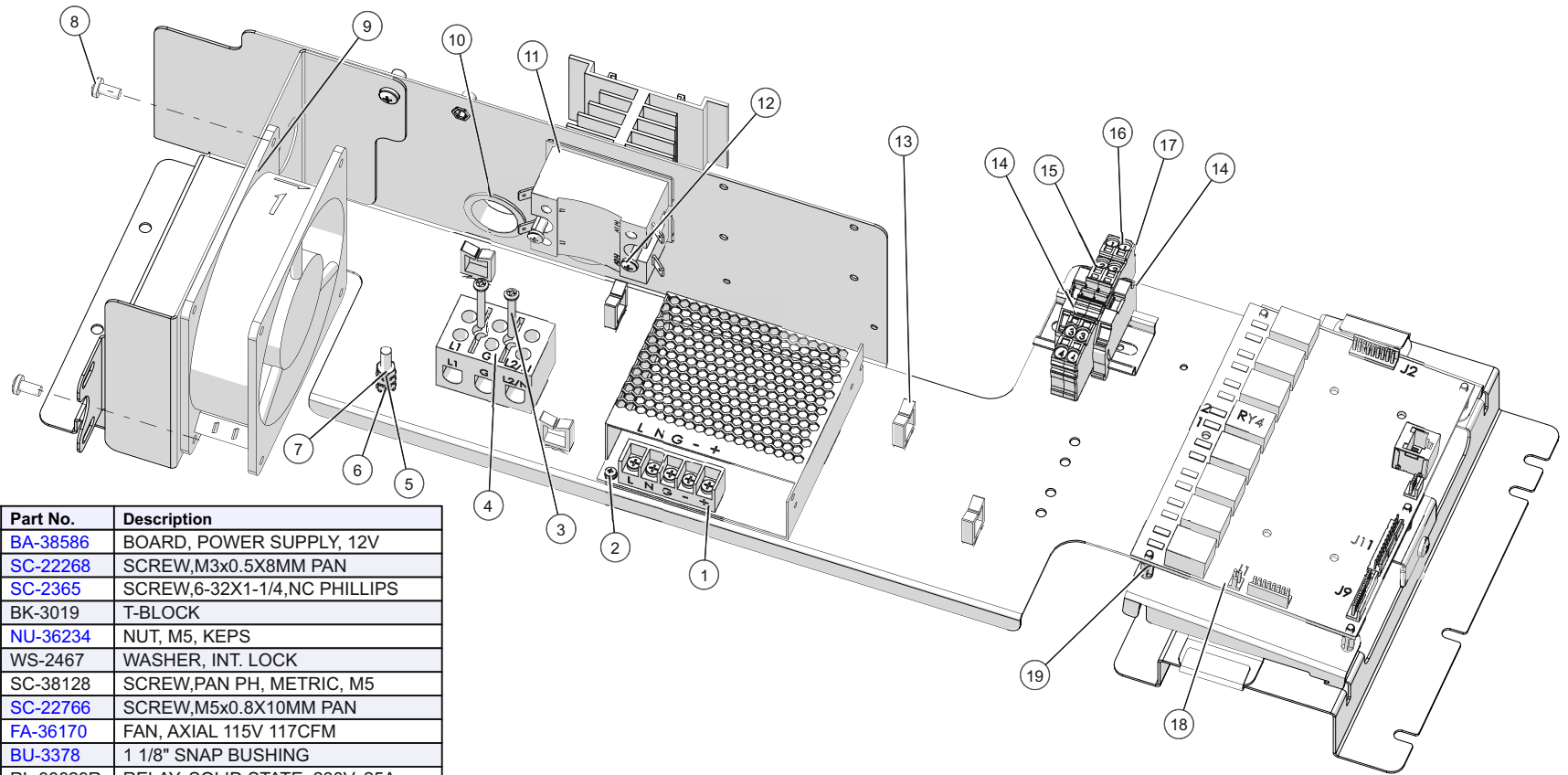
ID	Part No.	Description
1	FA-36170	FAN, AXIAL 115V 117CFM
2	SC-22766	SCREW, M5x0.8X10MM PAN
3	1025886	BRACKET, MOUNTING, FAN
4	RL-33829R	RELAY, SOLID STATE, 230V, 25A
5	SC-22273	SCREW, M4x0.7X10MM PAN
6	CC-39644R	CONTROL BOARD, DELUXE, C&H
7	SP-39372	SPACER, LOCK-IN SUPPRT
8	BA-38586	BOARD, POWER SUPPLY, 12V
9	WS-22299	WASHER, SPLIT LOCK
10	SC-22268	SCREW, M3x0.5X8MM PAN
11	TI-35719	PUSH IN WIRE RETAINER
12	BK-3019	T-BLOCK
13	SC-2365	SCREW, 6-32X1-1/4, NC PHILLIPS
14	WS-2467	WASHER, INT. LOCK
15	NU-36234	NUT, M5, KEPS
16	SC-38128	SCREW, PAN PH, METRIC, M5
17	BU-3378	1 1/8" SNAP BUSHING

Electrical Chassis, 120V, 500 Series



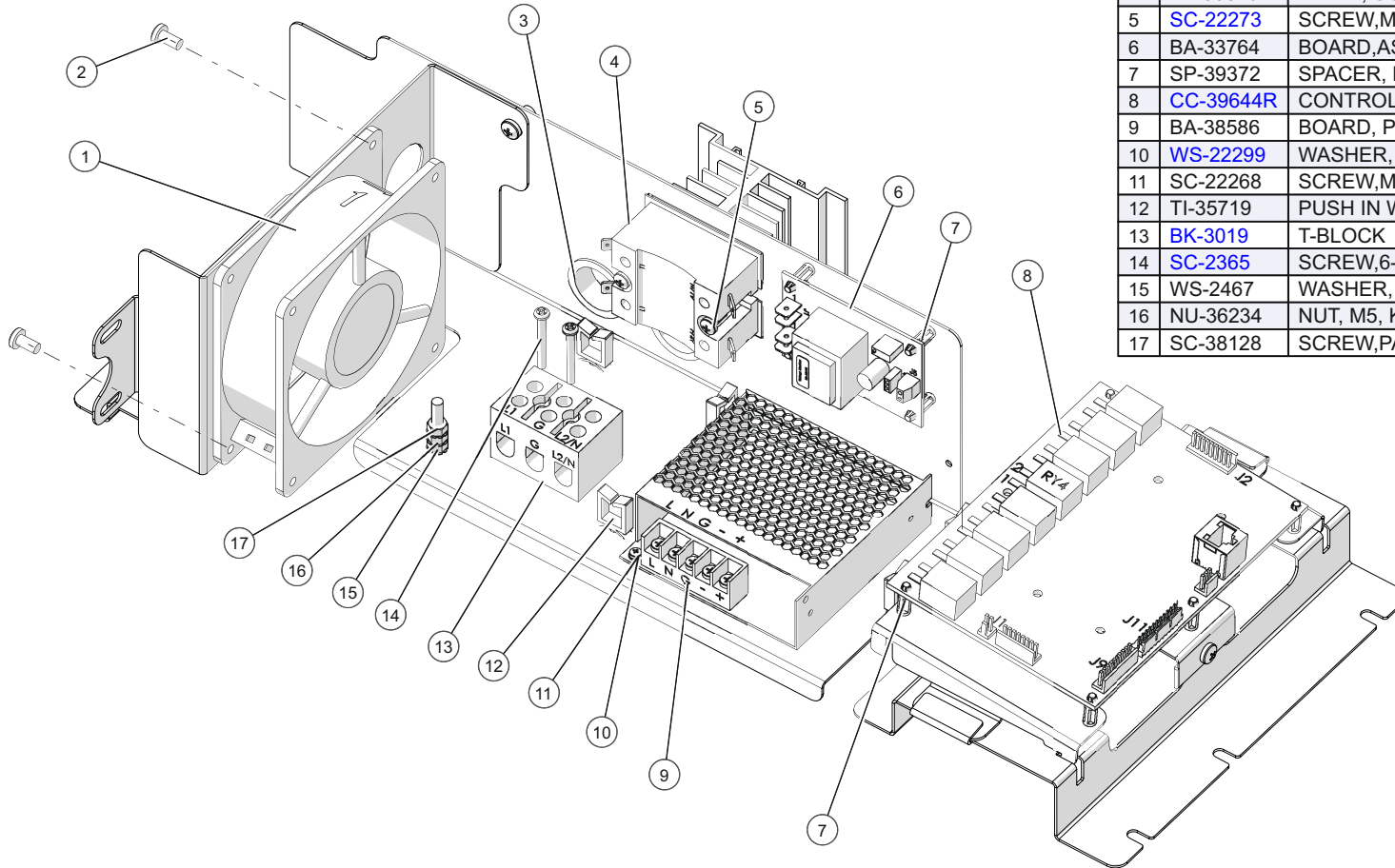
ID	Part No.	Description
1	SP-39372	SPACER, LOCK-IN SUPPRT
2	BA-38586	BOARD, POWER SUPPLY, 12V
3	WS-22299	WASHER, SPLIT LOCK
4	SC-22268	SCREW,M3x0.5X8MM PAN
5	BK-3019	T-BLOCK
6	SC-2365	SCREW,6-32X1-1/4,NC PHILLIPS
7	WS-2467	WASHER, INT. LOCK
8	SC-38128	SCREW,PAN PH, METRIC, M5
9	NU-36234	NUT, M5, KEPS
10	FA-36170	FAN, AXIAL 115V 117CFM
11	SC-22766	SCREW,M5x0.8X10MM PAN
12	5028042	CHASSIS MTG,ASSY,WITH INSERTS
13	BU-3378	1 1/8" SNAP BUSHING
14	RL-33829R	RELAY, SOLID STATE, 230V, 25A
15	SC-22273	SCREW,M4x0.7X10MM PAN
16	TI-35719	PUSH IN WIRE RETAINER
17	CC-39644R	CONTROL BOARD,DELUXE,C&H

Electrical Chassis, 120V, 750/1000 Series



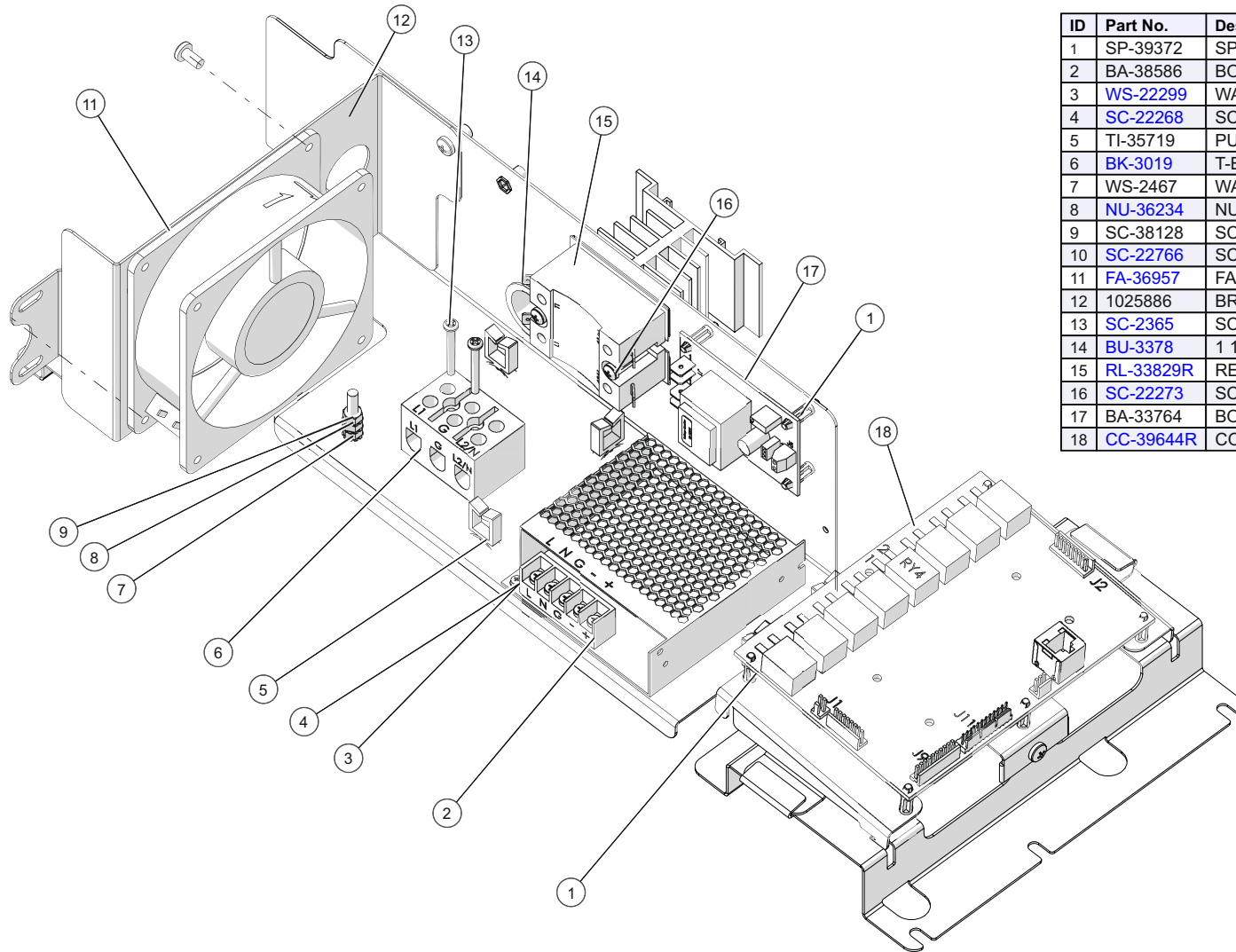
ID	Part No.	Description
1	BA-38586	BOARD, POWER SUPPLY, 12V
2	SC-22268	SCREW,M3x0.5X8MM PAN
3	SC-2365	SCREW,6-32X1-1/4,NC PHILLIPS
4	BK-3019	T-BLOCK
5	NU-36234	NUT, M5, KEPS
6	WS-2467	WASHER, INT. LOCK
7	SC-38128	SCREW,PAN PH, METRIC, M5
8	SC-22766	SCREW,M5x0.8X10MM PAN
9	FA-36170	FAN, AXIAL 115V 117CFM
10	BU-3378	1 1/8" SNAP BUSHING
11	RL-33829R	RELAY, SOLID STATE, 230V, 25A
12	SC-22273	SCREW,M4x0.7X10MM PAN
13	TI-35719	PUSH IN WIRE RETAINER
14	TM-39606	TERMINAL,SCREWLESS END
15	TM-39574	TERMINAL, 6mm, ORANGE, SPRING
16	TM-39575	TERMINAL, 6mm, BLUE, SPRING
17	TM-39576	TERMINAL, END SECTION, SPRING
18	CC-39644R	CONTROL BOARD,DELUXE,C&H
19	SP-39372	SPACER, LOCK-IN SUPPRT

Electrical Chassis, 208-240V, 230V, 300 Series



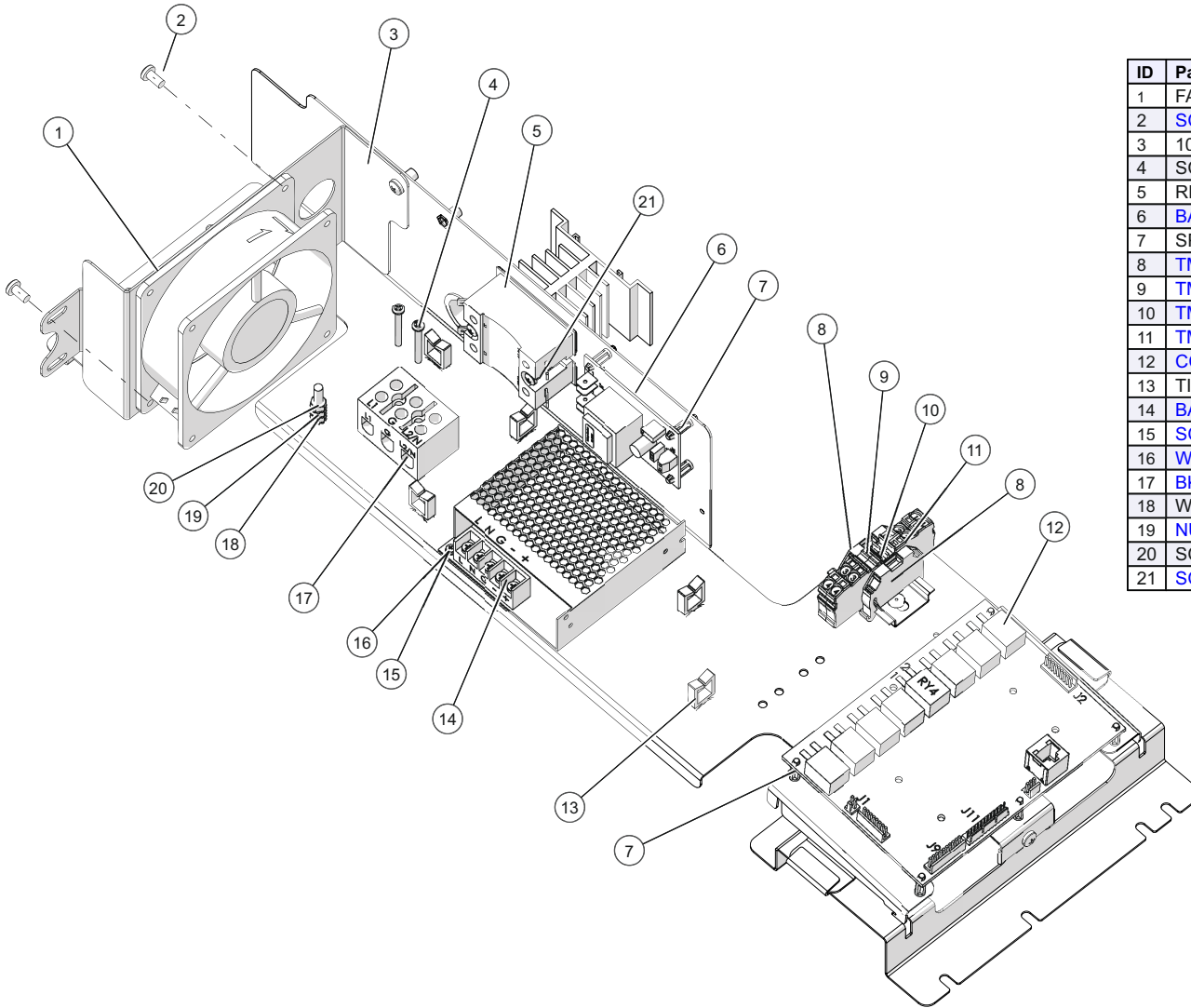
ID	Part No.	Description
1	FA-36957	FAN,230V,MECHATRONICS,HI-TEMP
2	SC-22766	SCREW,M5x0.8X10MM PAN
3	BU-3378	1 1/8" SNAP BUSHING
4	RL-33829R	RELAY, SOLID STATE, 230V, 25A
5	SC-22273	SCREW,M4x0.7X10MM PAN
6	BA-33764	BOARD,ASSB,VOLTAGE MONITOR
7	SP-39372	SPACER, LOCK-IN SUPPRT
8	CC-39644R	CONTROL BOARD,DELUXE,C&H
9	BA-38586	BOARD, POWER SUPPLY, 12V
10	WS-22299	WASHER, SPLIT LOCK
11	SC-22268	SCREW,M3x0.5X8MM PAN
12	TI-35719	PUSH IN WIRE RETAINER
13	BK-3019	T-BLOCK
14	SC-2365	SCREW,6-32X1-1/4,NC PHILLIPS
15	WS-2467	WASHER, INT. LOCK
16	NU-36234	NUT, M5, KEPS
17	SC-38128	SCREW,PAN PH, METRIC, M5

Electrical Chassis,208-240V, 230V, 500 Series



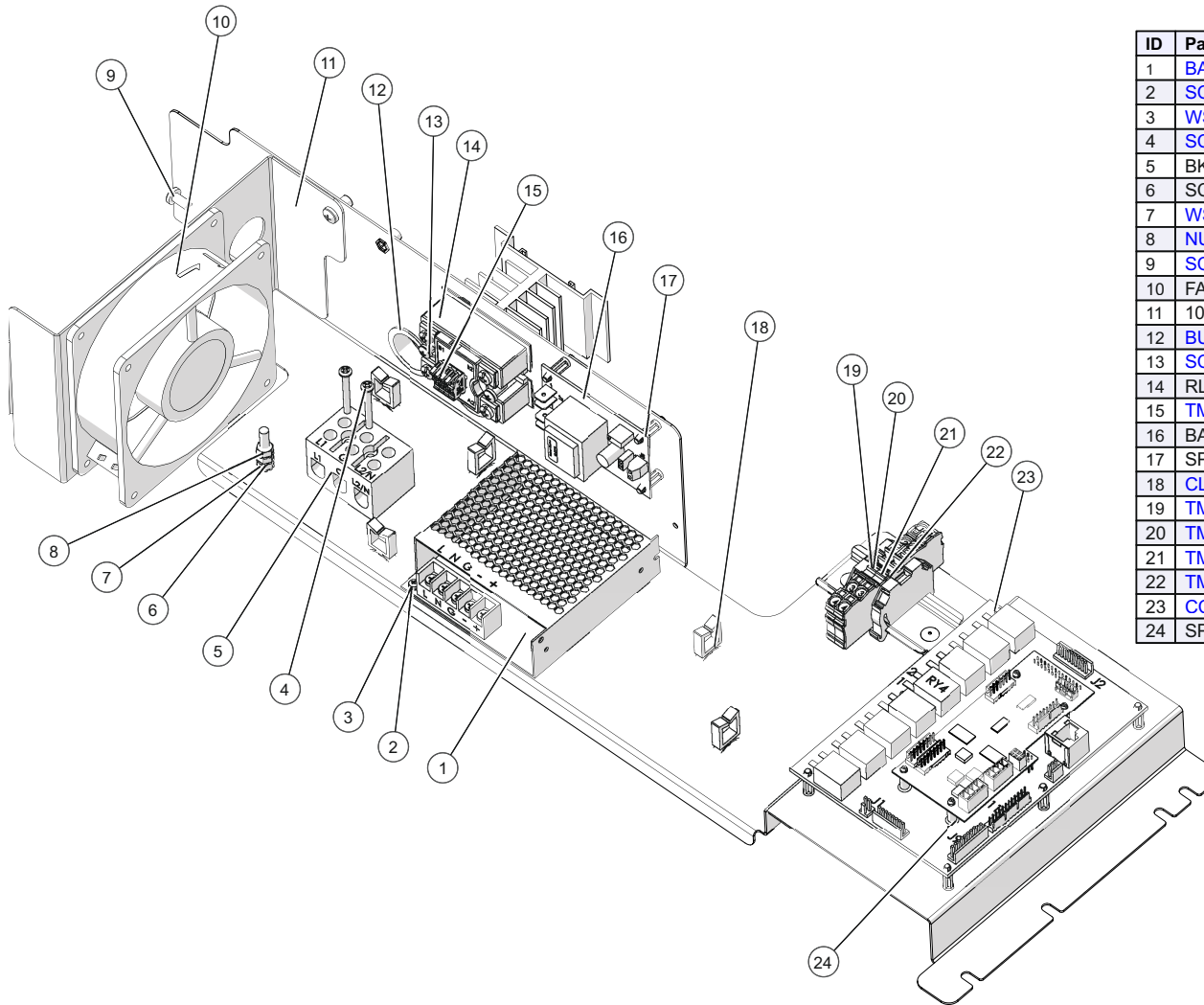
ID	Part No.	Description
1	SP-39372	SPACER, LOCK-IN SUPPRT
2	BA-38586	BOARD, POWER SUPPLY, 12V
3	WS-22299	WASHER, SPLIT LOCK
4	SC-22268	SCREW,M3x0.5X8MM PAN
5	TI-35719	PUSH IN WIRE RETAINER
6	BK-3019	T-BLOCK
7	WS-2467	WASHER, INT. LOCK
8	NU-36234	NUT, M5, KEPS
9	SC-38128	SCREW,PAN PH, METRIC, M5
10	SC-22766	SCREW,M5x0.8X10MM PAN
11	FA-36957	FAN,230V,MECHATRONICS,HI-TEMP
12	1025886	BRACKET,MOUNTING,FAN
13	SC-2365	SCREW,6-32X1-1/4,NC PHILLIPS
14	BU-3378	1 1/8" SNAP BUSHING
15	RL-33829R	RELAY, SOLID STATE, 230V, 25A
16	SC-22273	SCREW,M4x0.7X10MM PAN
17	BA-33764	BOARD,ASSB,VOLTAGE MONITOR
18	CC-39644R	CONTROL BOARD,DELUXE,C&H

Electrical Chassis,208-240V, 230V, 750/1000 Series



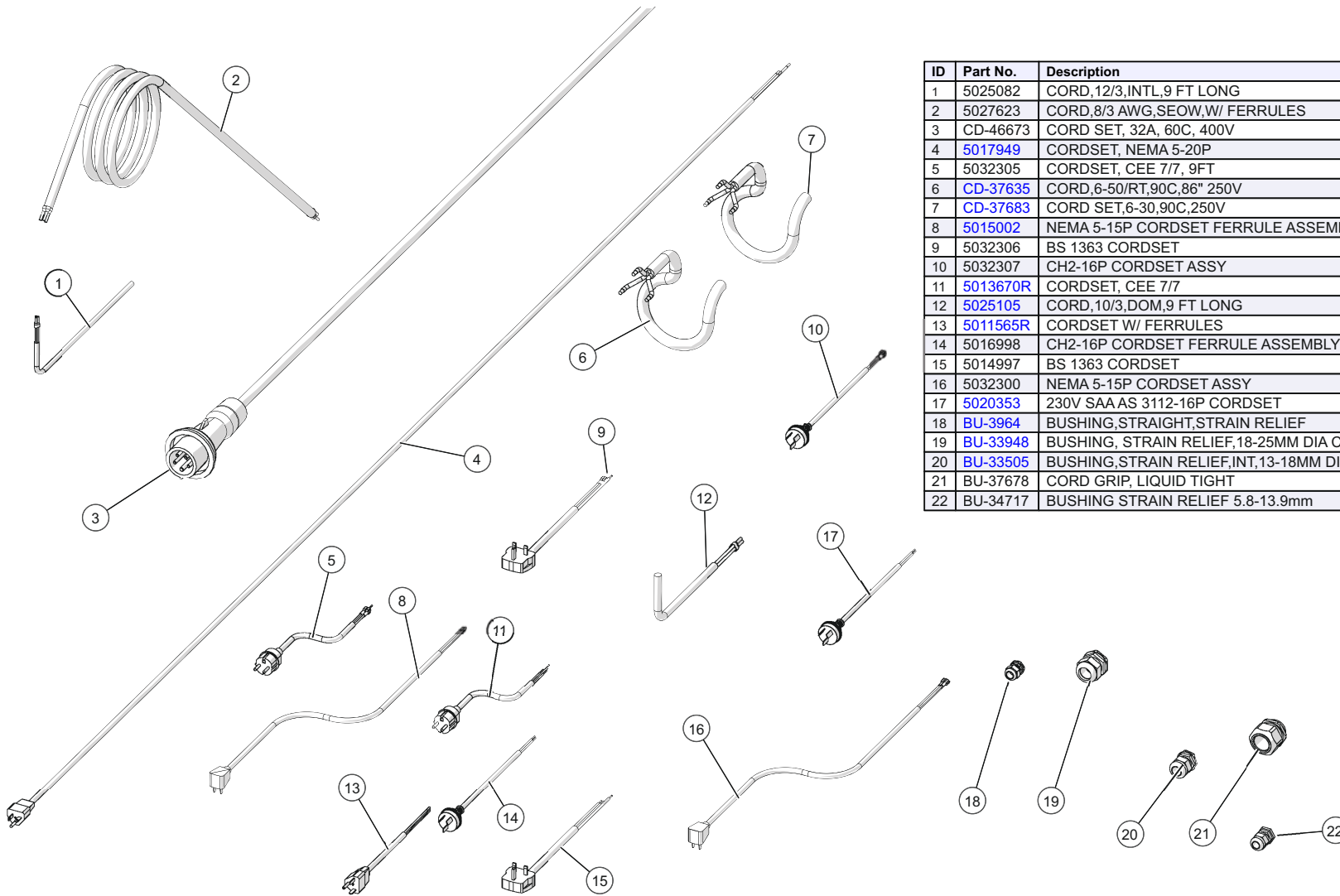
ID	Part No.	Description
1	FA-36957	FAN,230V,MECHATRONICS,HI-TEMP
2	SC-22766	SCREW,M5x0.8X10MM PAN
3	1025886	BRACKET,MOUNTING,FAN
4	SC-2365	SCREW,6-32X1-1/4,NC PHILLIPS
5	RL-33829R	RELAY, SOLID STATE, 230V, 25A
6	BA-33764	BOARD,ASSB,VOLTAGE MONITOR
7	SP-39372	SPACER, LOCK-IN SUPPRT
8	TM-39606	TERMINAL,SCREWLESS END
9	TM-39574	TERMINAL, 6mm, ORANGE, SPRING
10	TM-39575	TERMINAL, 6mm, BLUE, SPRING
11	TM-39576	TERMINAL, END SECTION, SPRING
12	CC-39644R	CONTROL BOARD,DELUXE,C&H
13	TI-35719	PUSH IN WIRE RETAINER
14	BA-38586	BOARD, POWER SUPPLY, 12V
15	SC-22268	SCREW,M3x0.5X8MM PAN
16	WS-22299	WASHER, SPLIT LOCK
17	BK-3019	T-BLOCK
18	WS-2467	WASHER, INT. LOCK
19	NU-36234	NUT, M5, KEPS
20	SC-38128	SCREW,PAN PH, METRIC, M5
21	SC-22273	SCREW,M4x0.7X10MM PAN

Electrical Chassis, 208-240V, 230V, 1200/1750 Series



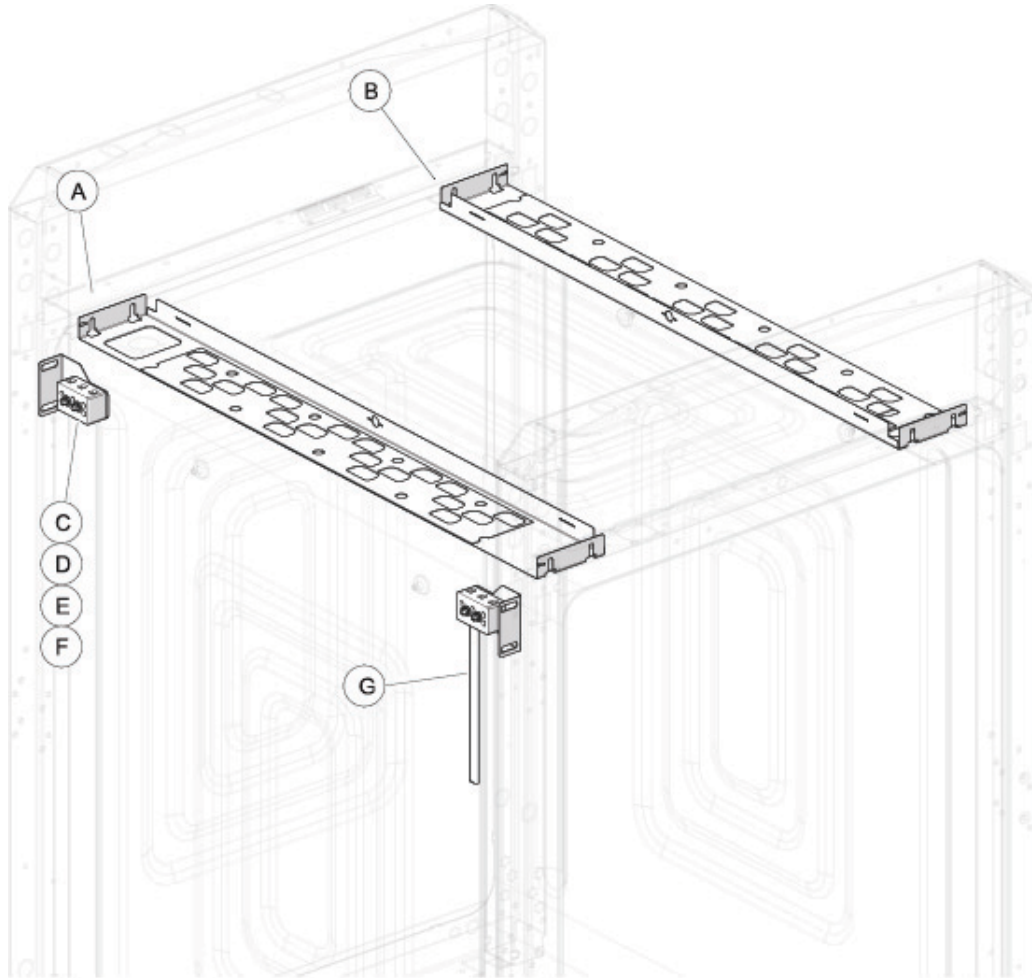
ID	Part No.	Description
1	BA-38586	BOARD, POWER SUPPLY, 12V
2	SC-22268	SCREW,M3x0.5X8MM PAN
3	WS-22299	WASHER, SPLIT LOCK
4	SC-2365	SCREW,6-32X1-1/4,NC PHILLIPS
5	BK-3019	T-BLOCK
6	SC-38128	SCREW,PAN PH, METRIC, M5
7	WS-2467	WASHER, INT. LOCK
8	NU-36234	NUT, M5, KEPS
9	SC-22766	SCREW,M5x0.8X10MM PAN
10	FA-36957	FAN,230V,MECHATRONICS,HI-TEMP
11	1025886	BRACKET,MOUNTING,FAN
12	BU-3378	1 1/8" SNAP BUSHING
13	SC-22273	SCREW,M4x0.7X10MM PAN
14	RL-39554R	RELAY,SOLID STATE,DUAL,50A
15	TM-34881	TERMINAL, 3.5MM PLUGGABLE, 4 POLE
16	BA-33764	BOARD,ASSB,VOLTAGE MONITOR
17	SP-39372	SPACER, LOCK-IN SUPPRT
18	CL-38422	RETAINER,WIRE,SQUARE,PUSH IN
19	TM-39606	TERMINAL, SCREWLESS END
20	TM-39574	TERMINAL, 6mm, ORANGE, SPRING
21	TM-39575	TERMINAL, 6mm, BLUE, SPRING
22	TM-39576	TERMINAL, END SECTION, SPRING
23	CC-39644R	CONTROL BOARD,DELUXE,C&H
24	SP-36987	SPACER, CIRCUIT BOARD, SNAP

Electrical Cords, Cord Sets, and Bushings



ID	Part No.	Description
1	5025082	CORD, 12/3, INTL, 9 FT LONG
2	5027623	CORD, 8/3 AWG, SEOW, W/ FERRULES
3	CD-46673	CORD SET, 32A, 60C, 400V
4	5017949	CORDSET, NEMA 5-20P
5	5032305	CORDSET, CEE 7/7, 9FT
6	CD-37635	CORD, 6-50/RT, 90C, 86" 250V
7	CD-37683	CORD SET, 6-30, 90C, 250V
8	5015002	NEMA 5-15P CORDSET FERRULE ASSEMBLY
9	5032306	BS 1363 CORDSET
10	5032307	CH2-16P CORDSET ASSY
11	5013670R	CORDSET, CEE 7/7
12	5025105	CORD, 10/3, DOM, 9 FT LONG
13	5011565R	CORDSET W/ FERRULES
14	5016998	CH2-16P CORDSET FERRULE ASSEMBLY
15	5014997	BS 1363 CORDSET
16	5032300	NEMA 5-15P CORDSET ASSY
17	5020353	230V SAA AS 3112-16P CORDSET
18	BU-3964	BUSHING, STRAIGHT, STRAIN RELIEF
19	BU-33948	BUSHING, STRAIN RELIEF, 18-25MM DIA CORD
20	BU-33505	BUSHING, STRAIN RELIEF, INT, 13-18MM DIA CORD
21	BU-37678	CORD GRIP, LIQUID TIGHT
22	BU-34717	BUSHING STRAIN RELIEF 5.8-13.9mm

Cables and Cable Wraps



Spot Cable Hanger Part Numbers

Unit	Voltage	A	B
500-TH	120V	5028006	5028079
500-TH	208/240/230V	5028006	5029043
750-TH	120V	5026077	5026190
750-TH	208/240/230V	5026077	5026190
1000-TH	120V	5028078	5028076
1000-TH	208/240/230V	5026077	5026190
1200-TH (UK)	230V	5026190	5026077
1200-TH	208/240/230V	5026190	5026077
1750-TH	208/240/230V	5026077	5026190

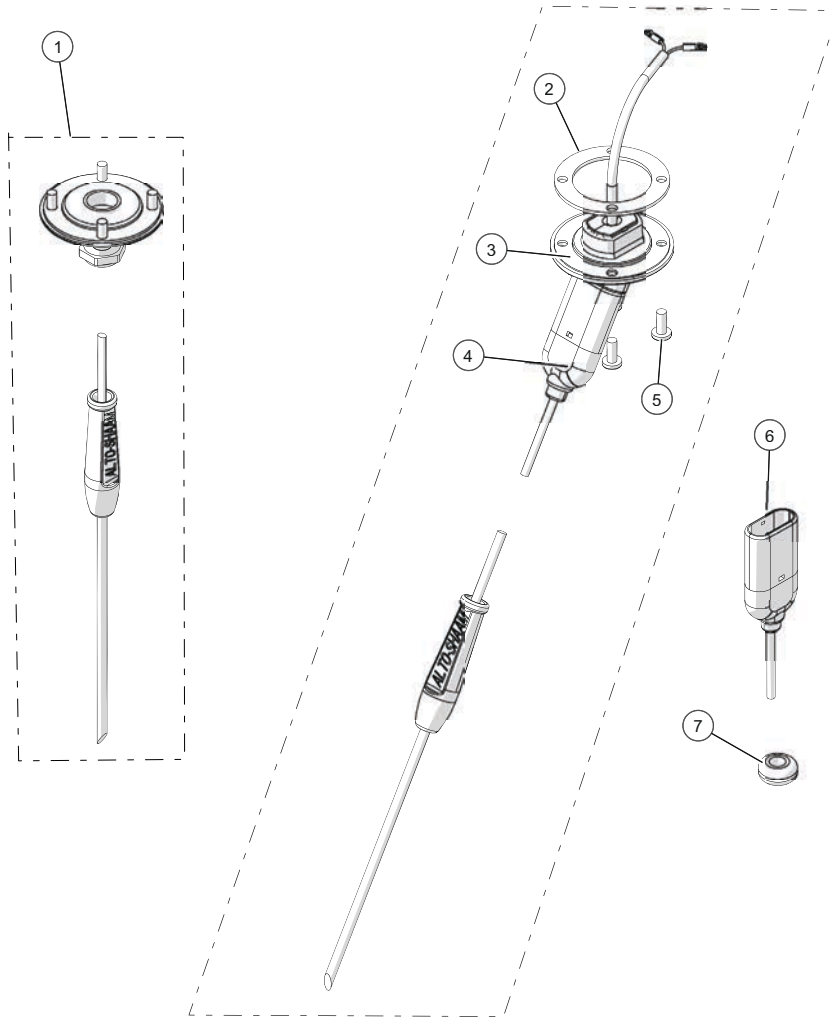
Common Parts

ID	Part No.	Description
C	5027549	Assembly, Cable Term Brkt w/Studs
D	BK-39664	Terminal Block, 300V AC/DC
E	NU-35846	Nut, Keps, M3 x 0.5, SS
F	WS-22293	Washer, Flat
G	CB-3045	Cable, Heating, 450°C (only available in kits below)

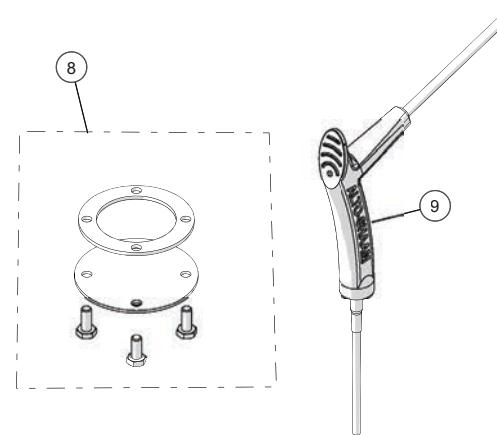
Cable Wrap Kits (one per cavity)

Unit	Voltage	Cable Kit P/N	Cable Length	Qty required
500-TH	120V	4879	112 ft (34m)	1
500-TH	208/240/230V	4880	134 ft (41m)	1
750-TH	120V	4880	134 ft (41m)	1
750-TH	208/240/230V	4881	210 ft (64m)	1
1000-TH	120V	4879	112 ft (34m)	1
1000-TH	208/240/230V	4881	210 ft (64m)	1
1200-TH (UK)	230V	4880	134 ft (41m)	2
1200-TH	208/240/230V	4881	210 ft (64m)	2
1750-TH	208/240/230V	4881	210 ft (64m)	2

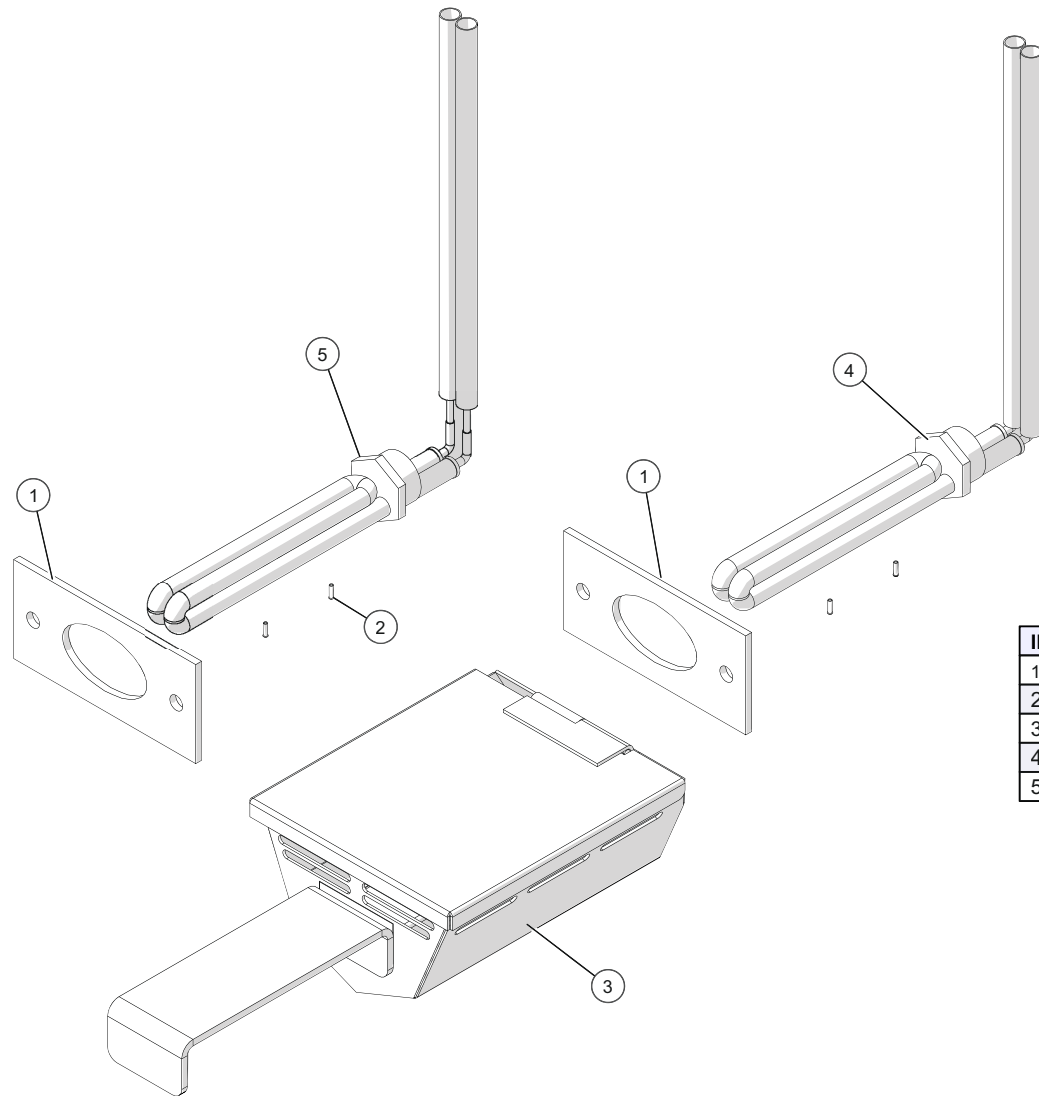
Probe Packages



ID	Part No.	Description
1	5017133R	COMBI PROBE PKG, MULTIPPOINT
2	GS-35796	GASKET, CAVITY PROBE
3	PR-46577R	PROBE,RECEPTACLE,1450mm LEADS
4	PR-46999R	PROBE, QUICK RELEASE, 820MM, LOW TEMP
5	SC-22273	SCREW,M4x0.7X10MM PAN
6	PR-36576	PROBE, SOUS VIDE, 1000MM
7	BU-46340	BUSHING,7/16" DIA. HI-TEMP
8	5016130R	PROBE PLUG PKG,CTC/CTP MARINE
9	PR-46998	PROBE, QUICK RELEASE, 820MM, TE, LOW TEMP

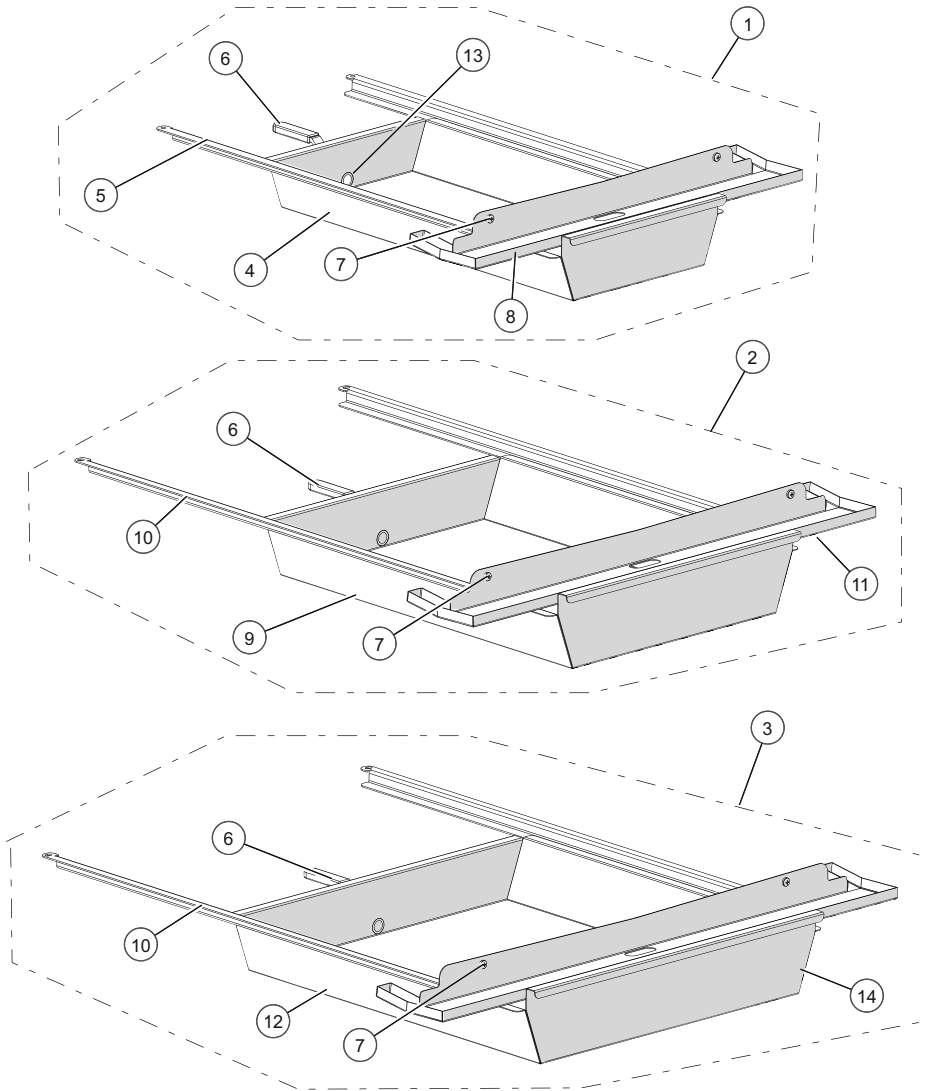


Smoker Elements



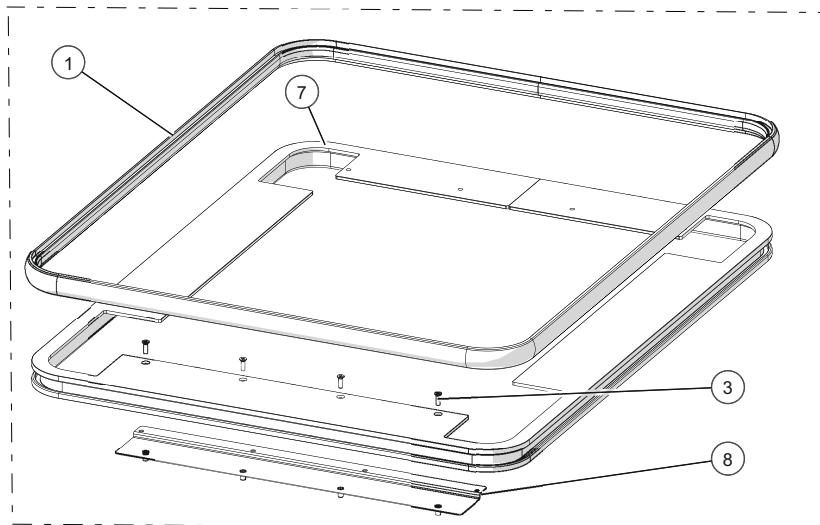
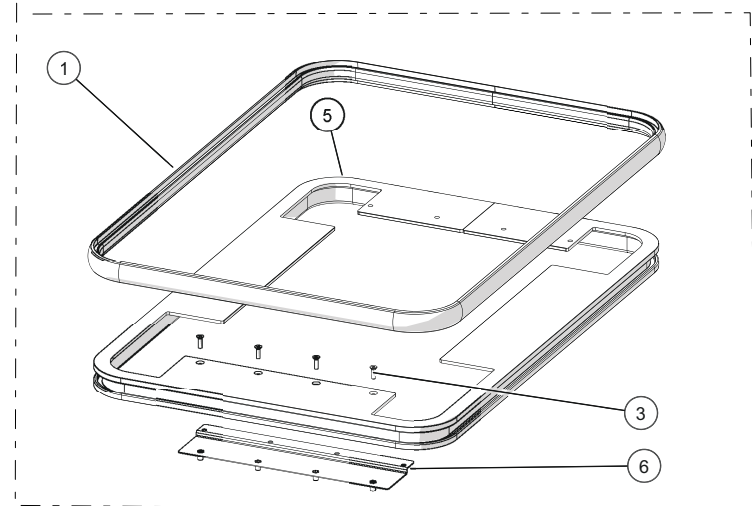
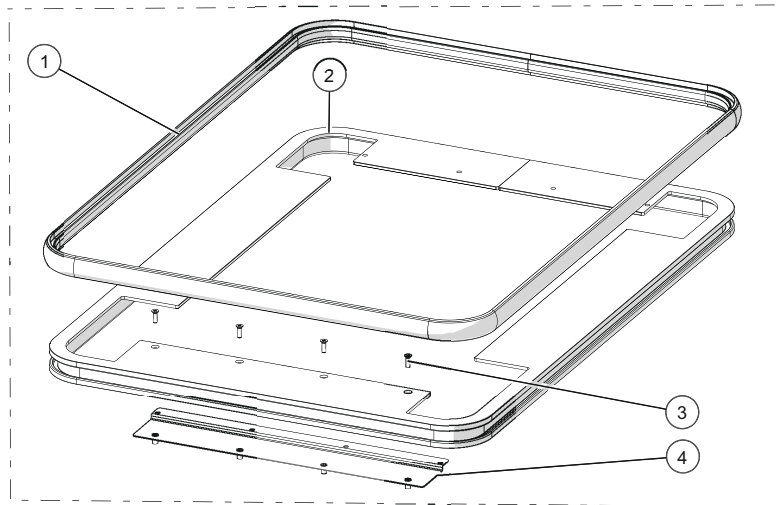
ID	Part No.	Description
1	GS-47243	GASKET, HALO SMOKE ELEMENT
2	CR-34827	CONNECTOR, FERRULE #18
3	5030981	CHIP TRAY WELD ASSEMBLY
4	5032852	SERVICE KIT, SMOKER ELEMENT 208-240V
5	5032851	SERVICE KIT, SMOKER ELEMENT 120V

Extended Drip Trays



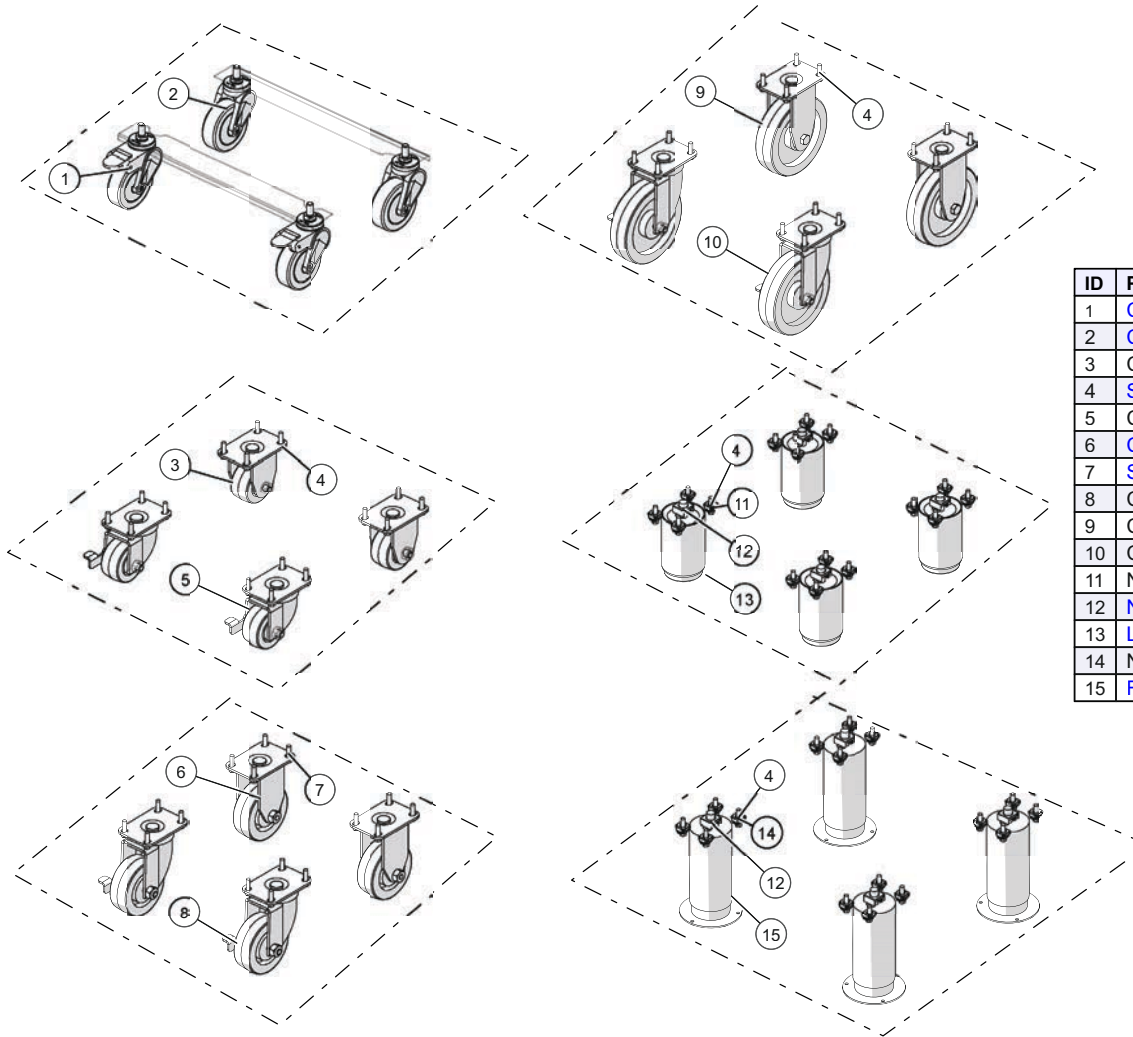
ID	Part No.	Description
1	5030667R	KIT, EXTENDED DRIP TRAY, 500 SERIES
2	5032421R	KIT, EXTENDED DRIP TRAY, 1000/1200 SERIES
3	5032422R	KIT, EXTENDED DRIP TRAY, 750/1750 SERIES
4	1033339	DRIP TRAY,WATER PAN,500 SERIES
5	1033338	DRIP PAN,WATER PAN RAIL,500 SERIES
6	VA-39174	VALVE, BALL, 3/8-18 NPT
7	SC-22766	SCREW,M5x0.8X10MM PAN
8	1033337	DRIP TRAY,WATER DIVERTER,500 SERIES
9	1024197	DRIP TRAY, WATER PAN,1000/1200-TH/SK
10	1033334	DRIP PAN,WATER PAN RAIL,750-1750 SERIES
11	1033333	DRIP TRAY,WATER DIVERTER,1000/1200 SERIES
12	1024350	DRIP TRAY, WATER PAN,750-TH, 767/1767-SK
13	NP-39172	NIPPLE, 3/8-18 NPT, 1" LENGTH
14	1033335	DRIP TRAY,WATER DIVERTER,750/1750 SERIES

Bumpers



ID	Part No.	Description
1	BM-24766	BUMPER, PERIMETER, RUBBER
2	BM-46293	BUMPER,C&H,1000/1200 SERIES
3	SC-22281	SCREW,M5x0.8X16MM FLAT
4	1029785	BRACKET, MOUNTING,BUMPER, 1000/1200
5	BM-47042	BUMPER,C&H,500 SERIES
6	1029869	BRACKET, MOUNTING, BUMPER, 500
7	BM-46300	BUMPER,C&H,750/1750 SERIES
8	1029870	BRACKET, MOUNTING, BUMPER, 750/1750

Caster and Leg Assemblies



ID	Part No.	Description
1	CS-29499	CASTER, 3" SWIVEL W/ BRAKE
2	CS-29500	CASTER, 3" SWIVEL
3	CS-39968	CASTER, PLATE, RIGID, 2.5"
4	SC-28256	SCREW, M6X1X20MM HEX FLG
5	CS-39969	CASTER, PLATE, SWIVEL, BRAKE, 2.5"
6	CS-39970	CASTER, PLATE, RIGID, 3.5"
7	SC-27046	SCREW, M8X1.25X20MM SERR HEX FLG
8	CS-39971	CASTER, PLATE, SWIVEL, BRAKE, 3.5"
9	CS-39972	CASTER, PLATE, RIGID, 5"
10	CS-39973	CASTER, PLATE, SWIVEL, BRAKE, 5"
11	NU-46405	NUT, CAGE, M8 X 1.25
12	NU-37699	NUT, CAGE M12 X 1.75 THREAD
13	LG-29644	LEG, 4" ADJUSTABLE
14	NU-46405	NUT, CAGE, M8 X 1.25
15	FT-29080	FEET, SEISMIC FLANGE, TABLE TOP



ALTO-SHAAM[®]

Menomonee Falls, WI U.S.A.

Phone 800-558-8744 | +1-26 2-251-3800 | alto-shaam.com

ASIA

Shanghai, China
Phone +86-21-6173-0336

AUSTRALIA

Brisbane, Queensland
Phone 800-558-8744

CANADA

Concord, Ontario Canada
Toll Free Phone 866-577-4484
Phone +1-905-660-6781

FRANCE

Aix en Provence, France
Phone +33[0]4-88-78-21-73

GMBH

Bochum, Germany
Phone +49 [0]234 298798-0

ITALY

Padua, Italy
Phone +39 3476073504

INDIA

Pune, India
Phone +91 9657516999

MEXICO

Phone +52 1 477-717-3108

MIDDLE EAST & AFRICA

Dubai, UAE
Phone +971-4-321-9712

CENTRAL & SOUTH AMERICA

Miami, FL USA
Phone +1 954-655-5727

RUSSIA

Moscow, Russia
Phone +7 903 7932331