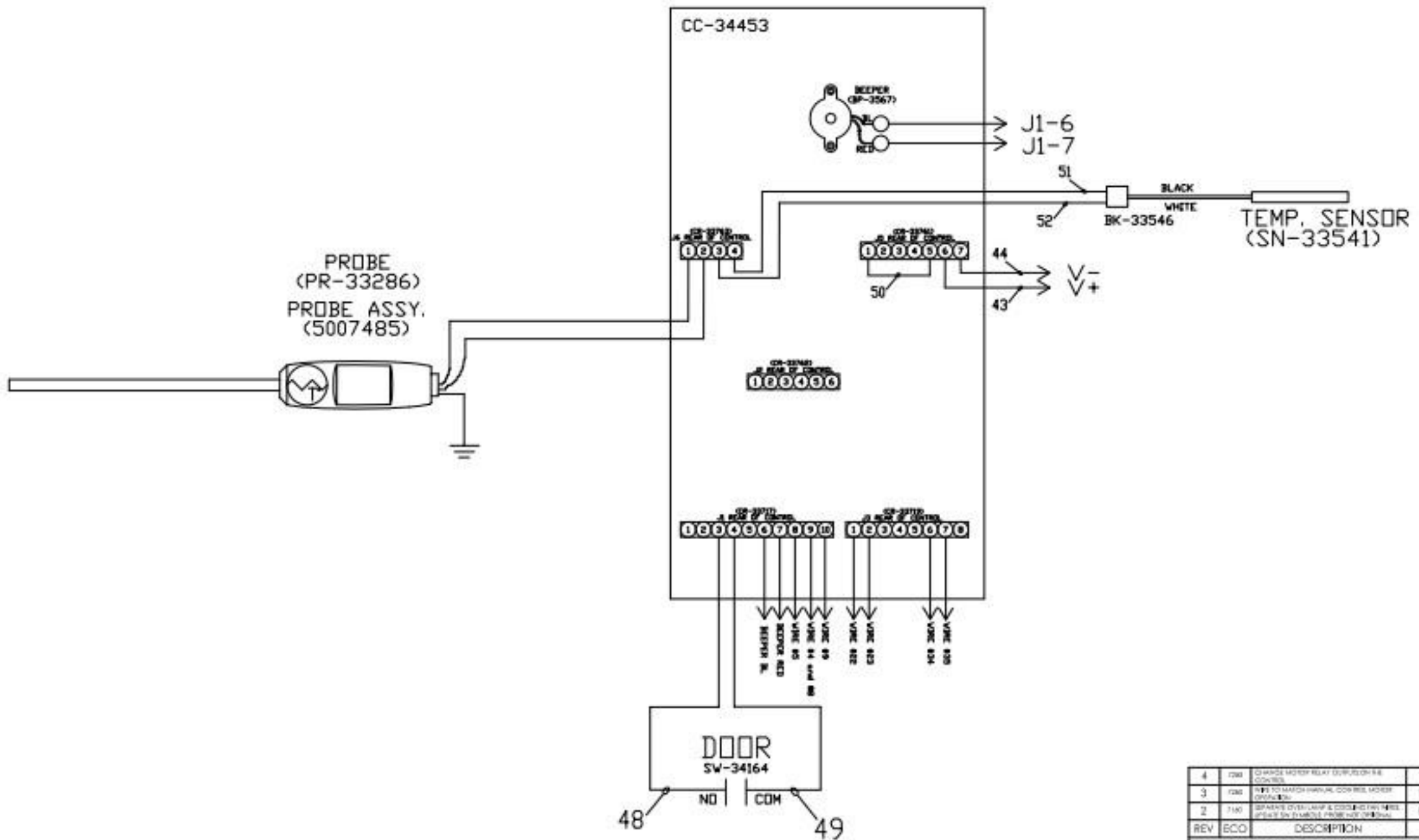


WIRE ASSEMBLY 5017051

4	ECO	CONTROL MOTOR RELAY TO FUSE ON THE CONTROL	12/17/14	NVD
3	ECO	WIRE TO MOTOR WINDING CONTROL MOTOR CONTROL	10/28/14	NVD
2	ECO	SEPARATE OVEN LAMP & COOLING FAN WIRING (PLANT OR DOUBLE PROTECTIVE CONTROL)	8/28/14	NVD
REV	ECO	DESCRIPTION	DATE	APP
ASC-4G ELECTRONIC 120V 50/60HZ				
<b>ALTO-SHAAM</b>		WIRING DIAGRAM		
DWG: 77565		SHEET		
BY: NVA/DATE: 09/06/13		1_OF_2		



4	ECO	CHANGE MOTOR RELAY OVERLOAD PROTECTION	12/17/14	NVD
3	ECO	WPT TO MATCH HUBER COOLING MOTOR OVERLOAD	10/28/14	NVD
2	ECO	REPAIRS OVER-LAMP & COOLING FAN RELAY (CHECK ON FAN RELAY PROBE AND COOLING)	8/25/14	NVD
REV	ECO	DESCRIPTION	DATE	APP
<b>ASC-4G ELECTRONIC 120V 50/60HZ</b>				
<b>ALTO-SHAAM</b>		<b>WIRING DIAGRAM</b>		
DWG: 77565		SHEET 2 OF 2		
BY: NVA DATE: 09/06/13				