

FOR EACH LAMP ASSY  
(2) CRP-34160D  
LAMP RECEPT  
(6 TOTAL)

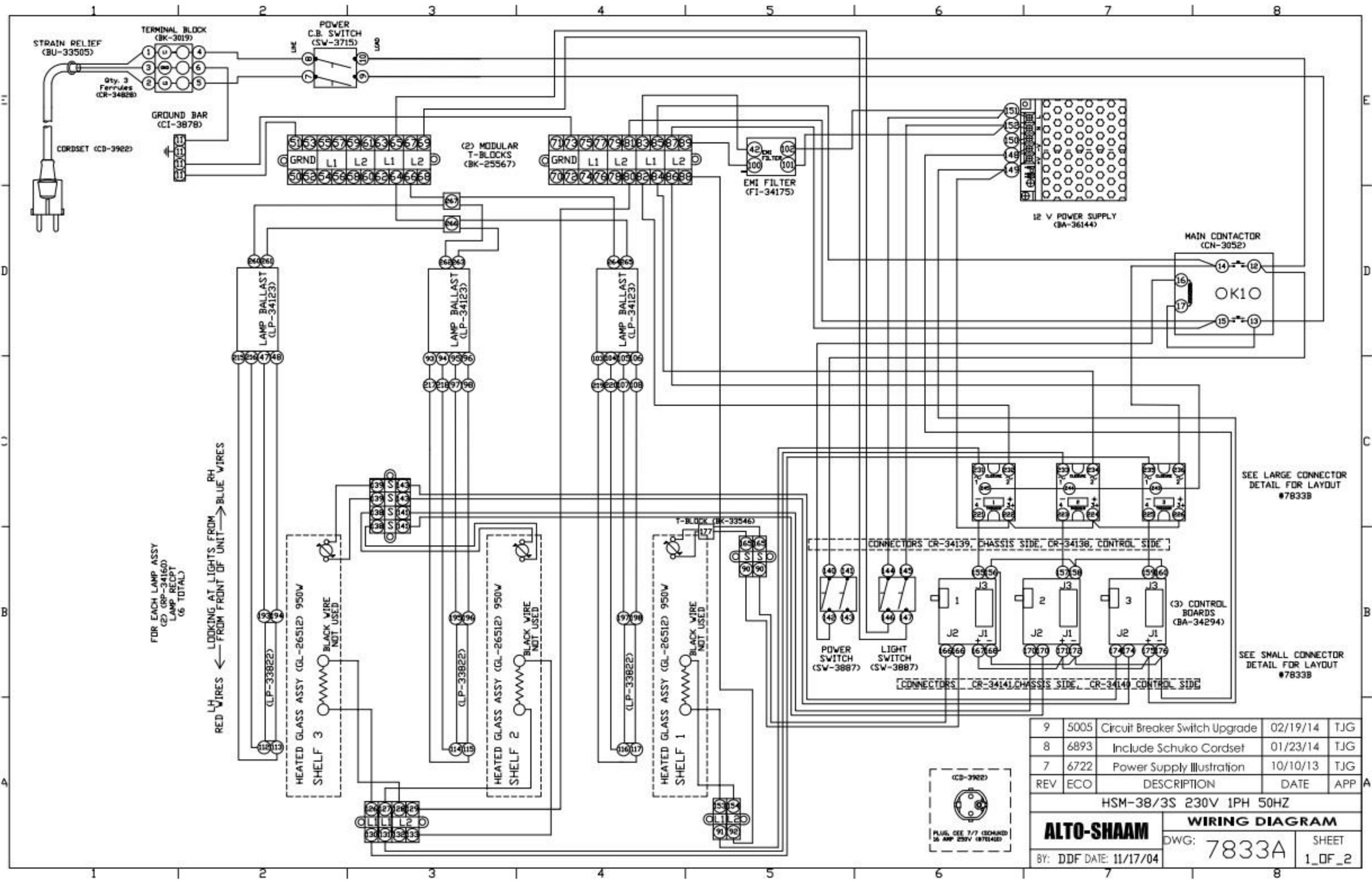
LOOKING AT LIGHTS FROM UNIT  
RED WIRES ← → BLUE WIRES

SEE LARGE CONNECTOR  
DETAIL FOR LAYOUT  
#7832B

SEE SMALL CONNECTOR  
DETAIL FOR LAYOUT  
#7832B

7	6722	Power Supply Illustration	10/10/13	TJG
6	6722	Power Supply Upgrade	7/22/13	TJG
5	5628	RELEASED TO PRODUCTION	3/17/10	DAR
REV	ECO	DESCRIPTION	DATE	APP
HSM-38/3S,38/3S/PT 208-240V 1PH 60HZ				
<b>ALTO-SHAAN</b>		<b>WIRING DIAGRAM</b>		
BY: DDF		DATE: 11/17/04	DWG: 7832A	SHEET 1_OF_2

SEE WIRE ASSB # 8327



FOR EACH LAMP ASSY  
(2) CRP-34160  
LAMP RECEPT  
(6 TOTAL)

LOOKING AT LIGHTS FROM RH  
RED WIRES ← FROM FRONT OF UNIT → BLUE WIRES

HEATED GLASS ASSY (GL-26512) 950W  
SHELF 3

HEATED GLASS ASSY (GL-26512) 950W  
SHELF 2

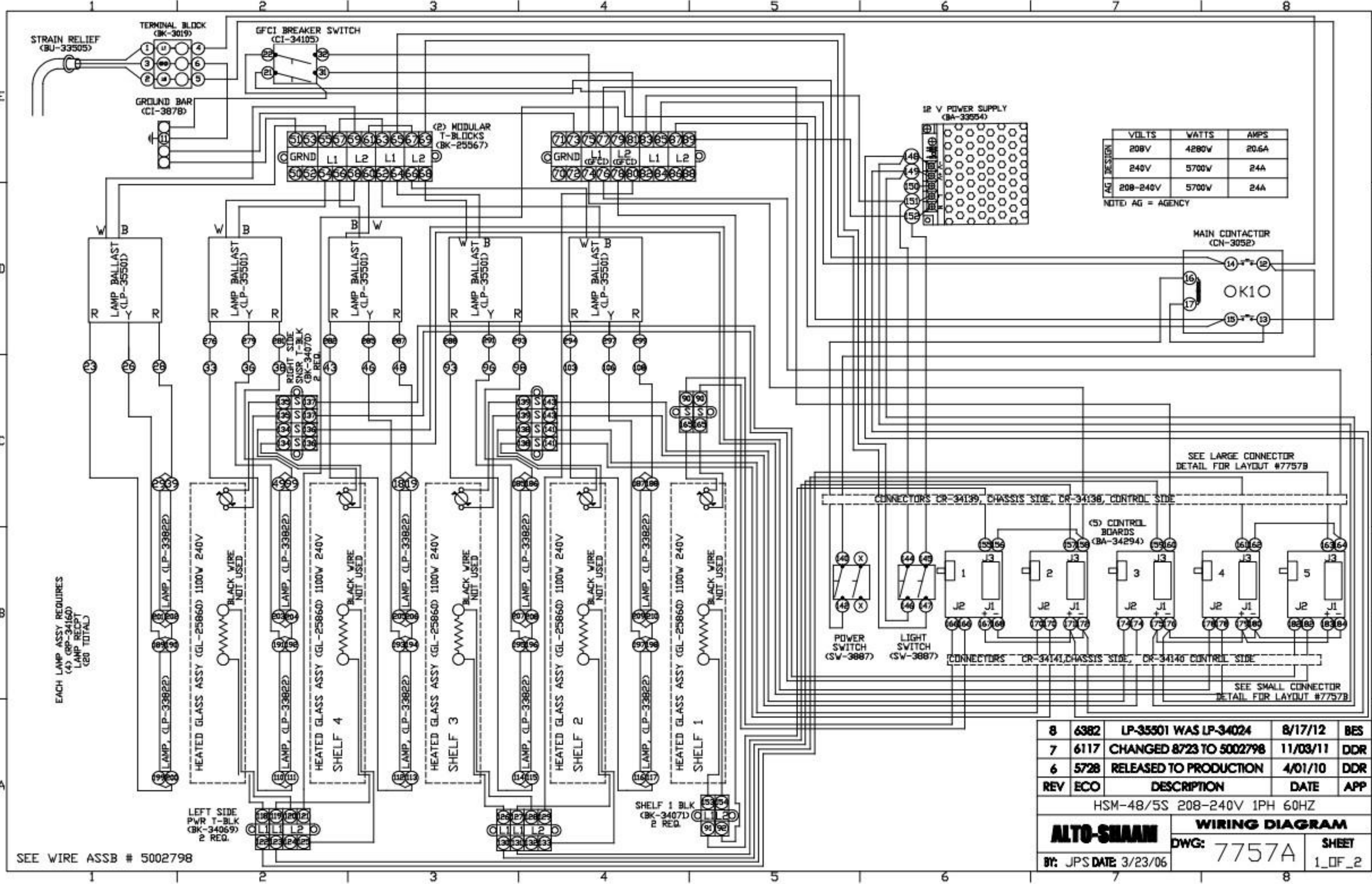
HEATED GLASS ASSY (GL-26512) 950W  
SHELF 1

SEE LARGE CONNECTOR  
DETAIL FOR LAYOUT  
#7833B

SEE SMALL CONNECTOR  
DETAIL FOR LAYOUT  
#7833B



9	5005	Circuit Breaker Switch Upgrade	02/19/14	TJG
8	6893	Include Schuko Cordset	01/23/14	TJG
7	6722	Power Supply Illustration	10/10/13	TJG
REV	ECO	DESCRIPTION	DATE	APP
HSM-38/3S 230V 1PH 50HZ				
<b>ALTO-SHAAM</b>		<b>WIRING DIAGRAM</b>		
BY: DDF DATE: 11/17/04		DWG: 7833A		SHEET 1_OF_2



VOLTS	WATTS	AMPS
208V	4280W	20.6A
240V	5700W	24A
208-240V	5700W	24A

NOTE: AG = AGENCY

EACH LAMP ASSY REQUIRES  
(4) CRP-34160  
LAMP RECEPT  
(20 TOTAL)

LEFT SIDE  
PWR T-BLK  
(BK-34069)  
2 REQ.

SHELF 1 BLK  
(BK-34071)  
2 REQ.

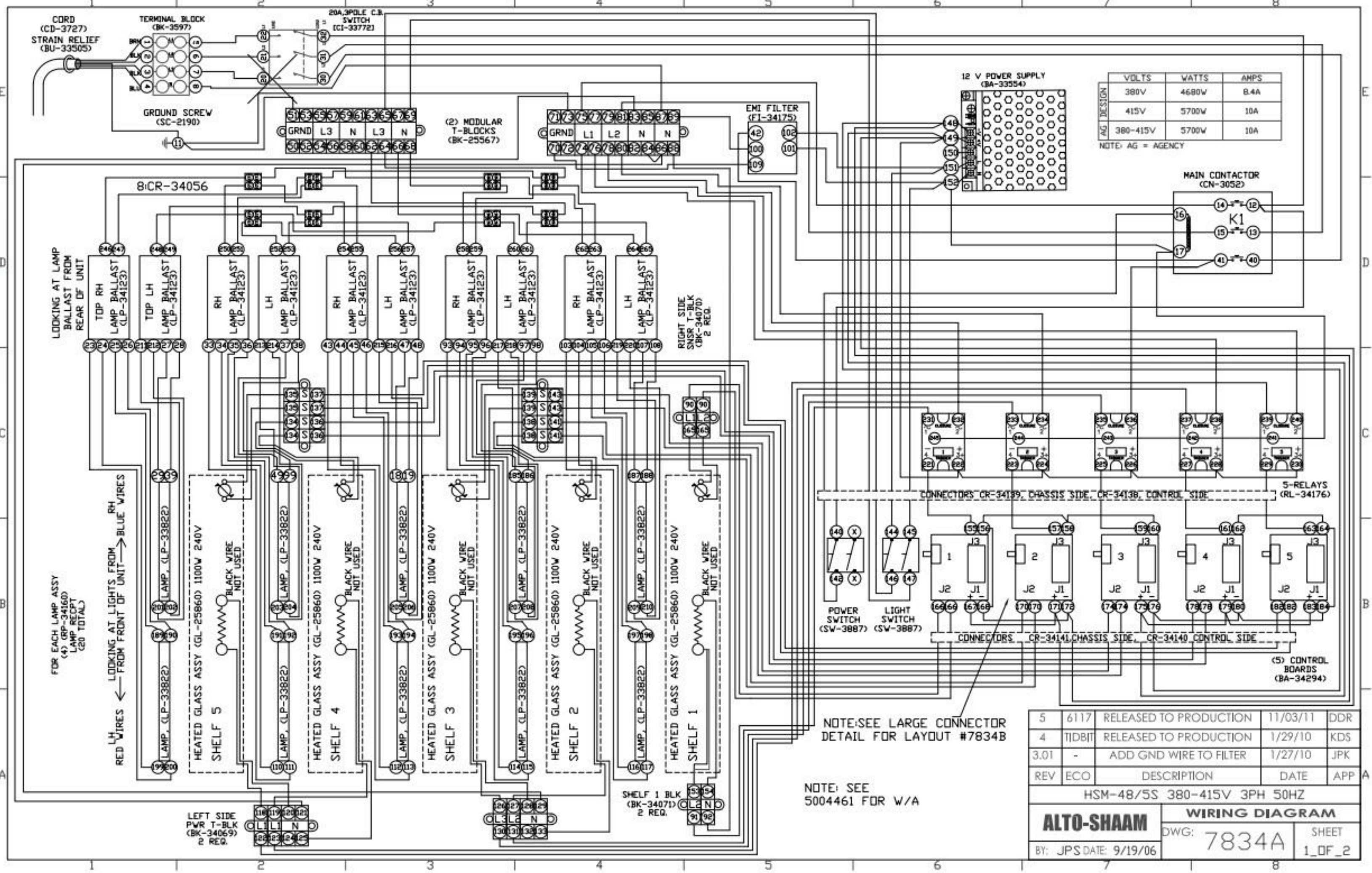
REV	ECO	DESCRIPTION	DATE	APP
8	6382	LP-35501 WAS LP-34024	8/17/12	BES
7	6117	CHANGED 8723 TO 5002798	11/03/11	DDR
6	5728	RELEASED TO PRODUCTION	4/01/10	DDR

HSM-48/5S 208-240V 1PH 60HZ

**ALTO-SHAAN** **WIRING DIAGRAM**

BY: JPS DATE: 3/23/06 DWG: 7757A SHEET: 1\_OF\_2

SEE WIRE ASSB # 5002798



HSM-48/5S 380-415V 3PH 50HZ	
<b>ALTO-SHAAM</b>	<b>WIRING DIAGRAM</b>
BY: JPS DATE: 9/19/06	DWG: 7834A SHEET 1_DF_2