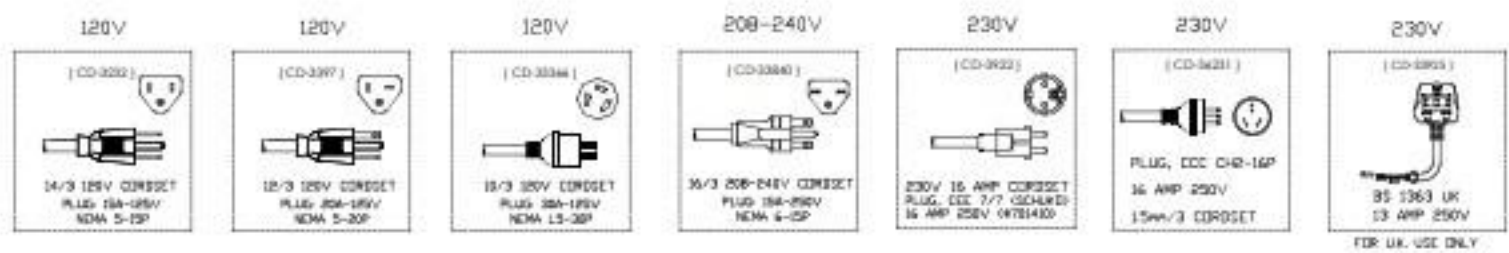


Conduit	Line 1	Line 2/N
120V	Black	White
230V	Brown	Blue
208-240V	Black	White

200-HW

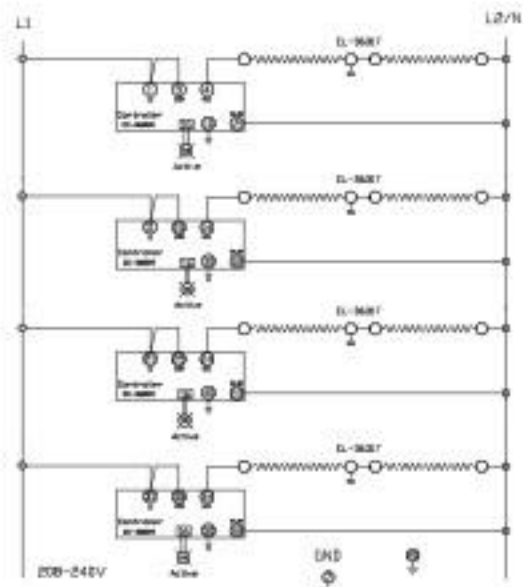
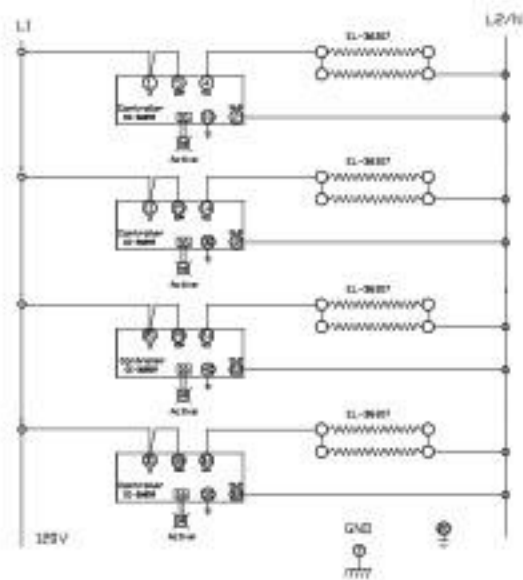
300-HW



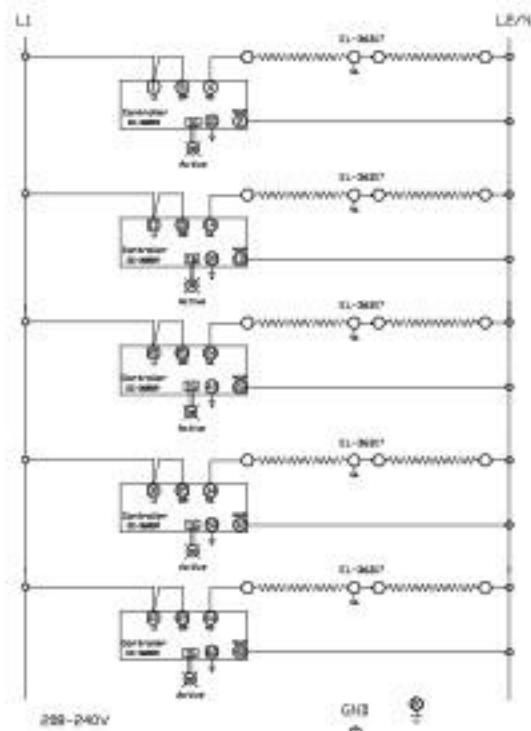
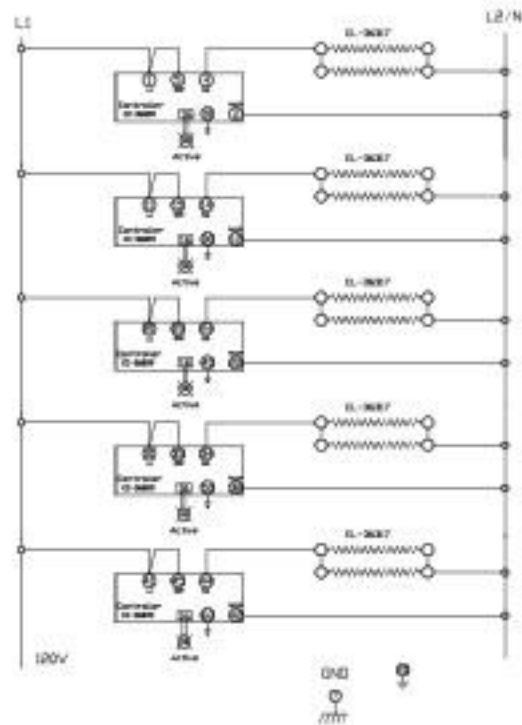
REFERENCE WIRE ASSY: 581776 For HWI-200, 581777 For HWI-300

FULL PAD OF HI-TEMP CABLE EL-36317 = 56 OHMS (SERIES), 24 OHMS (PARALLEL) AMBIENT TEMP
 FULL PAD OF HI-TEMP CABLE EL-36860 = 71.2 OHMS (SERIES), 17.8 OHMS (PARALLEL) AMBIENT TEMP

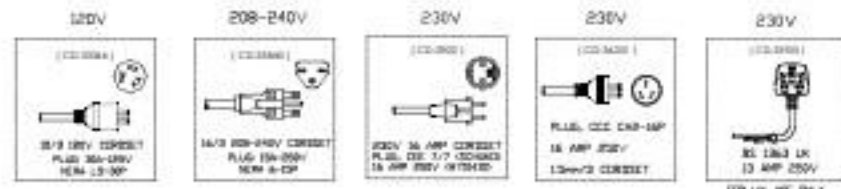
REV	DATE	DESCRIPTION	BY	APP
2	7/24	UPDATES WIRE BLOCK	10/10/2014	MB
1	6/10	Control / Sensor Upgrade	02/26/2014	LJD
0	6/10	Release MFG	06/10/2014	LJD
REV	ECO	DESCRIPTION	DATE	APP
200/300 HOT WELLS 250V, 230 V, 208-240VAC 50/60Hz				
ALTO-SHAAM			WIRING DIAGRAM	
REV: _PT (REV 02/01/15)			77584	3667
				L.D.F. 1



400-HW



500-HW

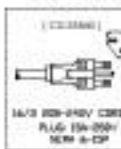


120V



15/16 INCH DIAMETER
PLUS 30-100V
NEW 1.5 INCH

208-240V



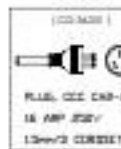
1 1/2 INCH DIAMETER
PLUS 100-250V
NEW 2 INCH

230V



1 1/2 INCH DIAMETER
PLUS 100-250V
NEW 2 INCH

230V



PLUS 100-250V
1 1/2 INCH DIAMETER
NEW 2 INCH

230V



1 1/2 INCH DIAMETER
PLUS 100-250V
NEW 2 INCH

FOR UK USE ONLY

REFERENCE WIRE 4028F 307776 For 400-HW, 307779 For 400-HW

FIG. PAGE OF HI-TOP CABLE EL-3627, IN CASE COVERED, BY CASE UNWELLED, 1-3627-100

REV	DATE	DESCRIPTION	BY
1			
2			
3			
4			
5			
6			
7			
8			
9			
10			
11			
12			
13			
14			
15			
16			
17			
18			
19			
20			
21			
22			
23			
24			
25			
26			
27			
28			
29			
30			
31			
32			
33			
34			
35			
36			
37			
38			
39			
40			
41			
42			
43			
44			
45			
46			
47			
48			
49			
50			
51			
52			
53			
54			
55			
56			
57			
58			
59			
60			
61			
62			
63			
64			
65			
66			
67			
68			
69			
70			
71			
72			
73			
74			
75			
76			
77			
78			
79			
80			
81			
82			
83			
84			
85			
86			
87			
88			
89			
90			
91			
92			
93			
94			
95			
96			
97			
98			
99			
100			

77585