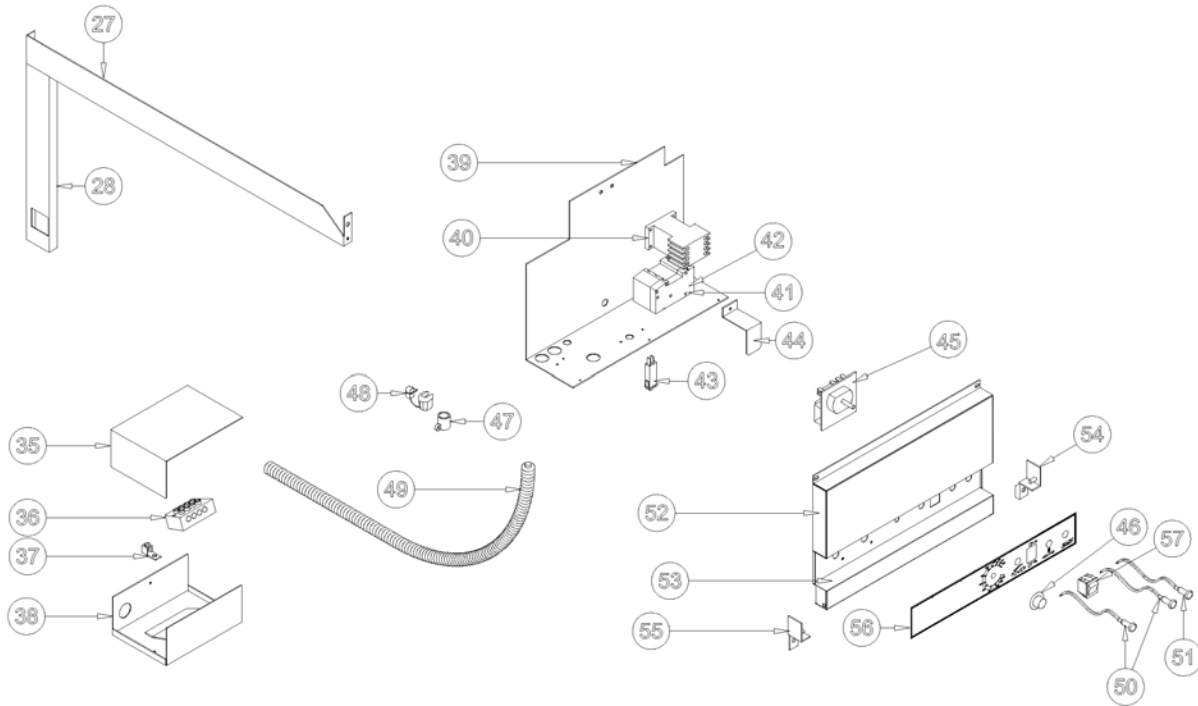


*Image some of the part might be not updated.*



*Image some of the part might be not updated.*

**IMPORTANT:** When ordering replacement parts...please supply model and serial number... type of gas... item number...description and part number. Part orders that are shipped due to lack of above information are subject to restocking charge. No merchandise can be returned without written permission.

ITEM	QTY	PART NUMBER	DESCRIPTION
1	1	E4455-00	Cabinet
2	1	E4963-00	Stainless Steel Pot
3	1	C8990-01	Front Trim
4	1	D5966-00	Back Cover
5	2	P8095-36	Spring Bar (B13930)
6	2	P9316-06	Bearing Block Weldment (B13938)
7	2	P9500-23	Spring
8	1	C10435-00	Pivot Box Weldment
9	1	C9427-00	Tension Bar Assembly
10	1	C10407-00	Spring Bar
11	1	B12581-00	Tension Bolt
12	4	P9300-79	Jiffy Clip
13	2	P9125-89	Watlow Firebar Heater 380V-400V-415V Models (14EL14/16/17)
		P9125-90	Watlow Firebar Heater 380V Model (14EL17)
		P9125-86	Watlow Firebar Heater 415V Models (14EL14)
14	1	C10386-00	Pivot Arm Weldment
15	1	B14001-00	Heater Bracket Weldment
16	1	P8901-61	High Limit
17	1	P8835-16	1 ¼ Ball Valve
18	1	P8840-77	Connector thermistor to tank
19	1	P8905-10	Thermistor
20	1	P9314-76	Drain Valve Extension
21	1	B5065-00	Drain Spout Holder
22	1	P9203-35	Name Plate – Golden Fry (B13696)
23	1	C9004-01	Door Handle
24	1	E4472-01	Door
25	1	P9302-14	Magnetic Door Catch
26	1	B12149-05	Door Hinge
27	1	C10408-00	Wire Trough
28	1	C10426-00	Vertical Wire Trough
29	4	P9304-05	6" Adjustable Leg Base (B13932)
30	1	P8025-95	Leg Bolt Kit (B14073)
31	2	P9800-08	14" Twin Basket (E2224)
32	1	P9800-45	14" Fryer Screen (C9045)
33	1	P9315-71	Cleanout Rod (C9144)
34	1	D5975-00	Basket Hanger (14EL14 – 14EL17)
35	1	D5892-00	Electrical Box Cover
36	1	P9126-15	Terminal Block, 4 Pole
37	1	P9125-16	Grounding Terminal
38	1	C10588-00	Electrical Box Weldment
39	1	D6351-00	Control Panel
40	1	P9105-27	Contacto CE
41	1	P9132-48	Circuit Breaker 32A
42	1	P9132-44	Shunt Trip
43	1	P9132-55	Circuit Breaker 1A
44	1	C10427-00	Circuit Breaker Hold Down Bracket
45	1	P8906-20	Thermostat EVO
46	1	P8902-80	Thermostat Knob With Cover
47	2	P9110-04	Straight Connector
48	1	P9110-12	Snap Bushing

ITEM	QTY	PART NUMBER	DESCRIPTION
49	3 ft	<a href="#">P9120-11</a>	Flexible Conduit
50	2	<a href="#">P9132-12</a>	Amber Indicator Light
51	1	<a href="#">P9132-13</a>	Red Indicator Light
52	1	<a href="#">D5165-01</a>	Front Panel
		<a href="#">D5165-02</a>	Front Panel with cut out for 18 products computer – optional; not shown on the drawing
		<a href="#">D5165-03</a>	Front Panel with cut out for 10 products computer – optional; not shown on the drawing
53	1	<a href="#">D5161-03</a>	Lower front trim weldment
54	1	<a href="#">C10429-01</a>	Front Panel Hinge – RH
55	1	<a href="#">C10429-00</a>	Front Panel Hinge – LH
56	1	<a href="#">P9203-65</a>	Front Panel Face Label (E4974)
57	1	<a href="#">P9132-14</a>	Switch
N/S	4	<a href="#">K1100-00</a>	Caster Set, 2 Stationary, 2 Swivel (Optional)
N/S	4	<a href="#">K1125-00</a>	Stationary Caster Set (Optional)
N/S	4	<a href="#">K1150-00</a>	Swivel Caster Set (Optional)
N/S	1	<a href="#">P8906-01</a>	Fri-Tronic controller 10 products (Optional)
N/S	1	<a href="#">P8906-03</a>	Fri-Tronic controller 18 products (Optional)
N/S	2	<a href="#">P9132-56</a>	Relay 24Vdc (Optional)
N/S	1	<a href="#">P9132-57</a>	Transformer 230/24V (Optional)

**IMPORTANT:** When ordering replacement parts...please supply model and serial number... type of gas... item number...description and part number. Part orders that are shipped due to lack of above information are subject to restocking charge. No merchandise can be returned without written permission.

SP# 139 Rev. 12/08