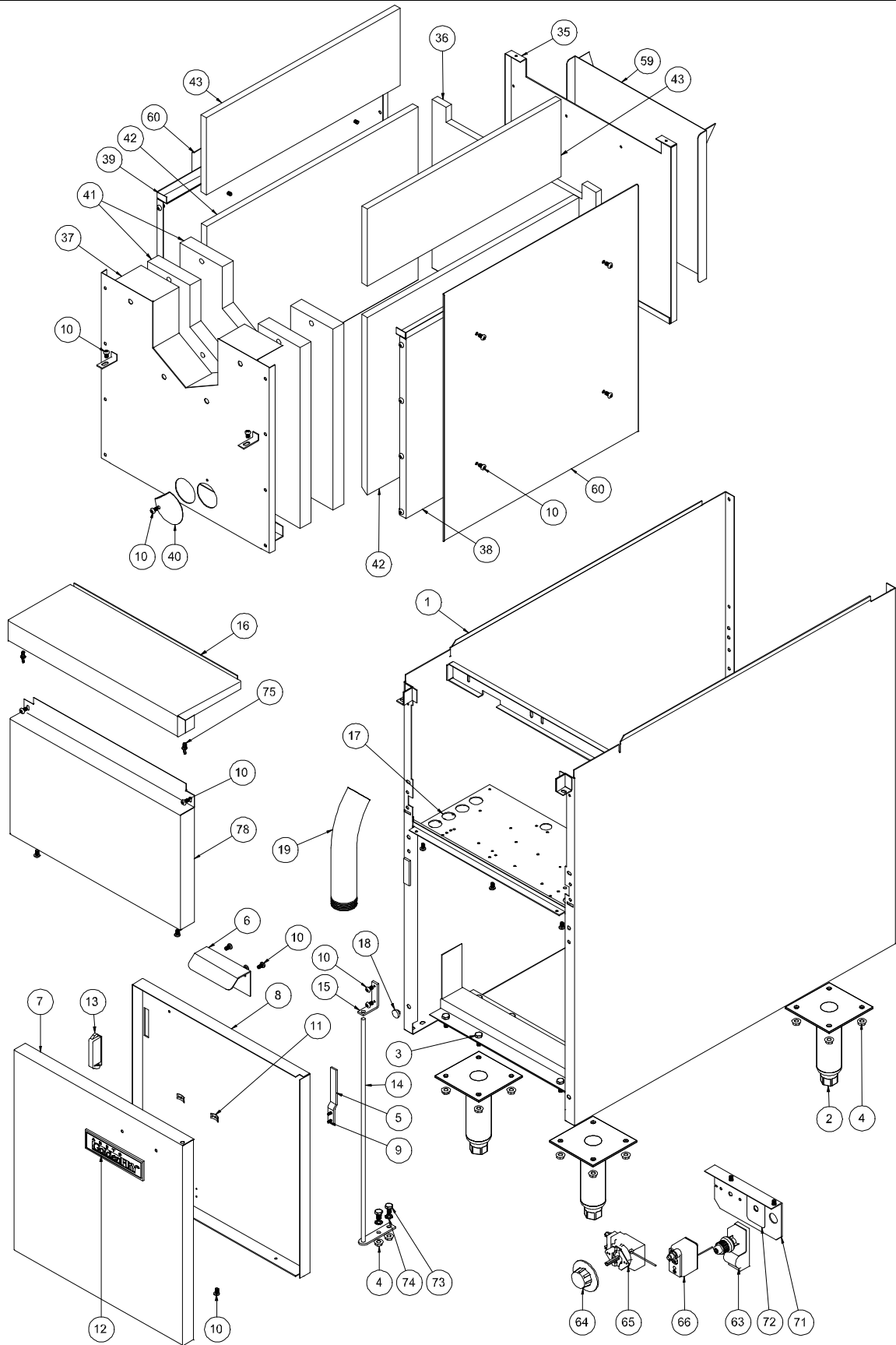
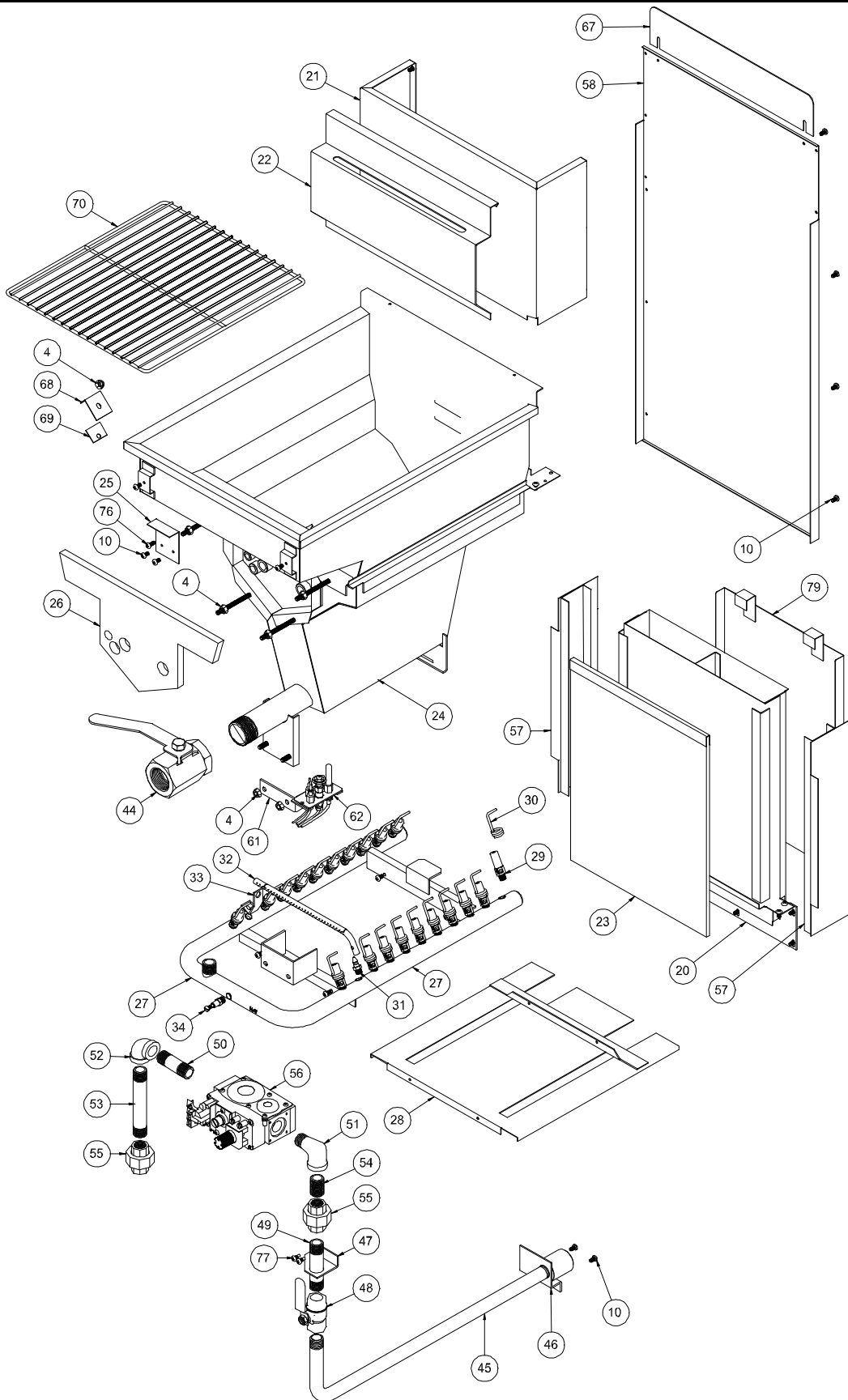




MODEL 14GSU 14" GAS FRYER







MODEL 14GSU PARTS LIST

ITEM	QTY	PART NUMBER	DESCRIPTION
1	1	E4455-01	Cabinet Assembly
2	4	P9304-05	6" Adjustable Leg (B13932-00)
3	16	P8025-06	¼-20 x ¾ Hex Head Screw
4	25	P8050-76	¼-20 Flange Lock Nut
5	1	B5065-00	Tube Holder
6	1	C9004-01	Door Handle
7	1	E4470-01	Door Front - Right Hand
8	1	E4471-00	Door Liner - Right Hand
9	2	P8010-01	#6-32 x 3/8 Phillip Pan Head Tap Screw
10	75	P8020-03	#10-24 x 3/8 Phillip Pan Head Tap Screw
11	2	P8050-01	Push Nut
12	1	P9203-35	Name Plate - "Golden Fry" (B13696)
13	1	P9302-14	Magnetic Catch
14	1	B12149-00	Hinge Weldment
15	1	B12202-00	Hinge Bracket
16	1	C8990-01	Front Trim Weldment
17	1	D5256-00	Component Panel
18	1	P9600-41	Grommet
19	1	P9313-60	Drain Valve Extension
20	1	D5143-00	Flue Weldment
21	1	D5415-03	Kettle Back Extension Assembly
22	1	C9054-01	Basket Hanger
23	1	B12323-00	Front Flue Insulation Assembly
24	1	P9316-12	Kettle Weldment (E4443-01)
25	1	B12114-00	Upper Kettle Support Bracket
26	1	C9037-01	Front Kettle Insulation
27	1	P9313-99	Manifold Weldment (C8968-00)
28	1	C9020-01	Manifold Baffle Weldment
29	20	P8840-96	Burner Jet – Natural (B12247-04)
	20	P8840-95	Burner Jet – L.P. (B12247-03)
30	20	P9500-54	Spring For Burner Jet (B12246-00)
31	1	P8904-69	Orifice – Natural
	1	P8904-99	Orifice – L.P.
32	1	P8904-68	Crossover Tube (D5940-00)
33	1	B13768-00	Crossover Tube Support Weldment
34	1	B13624-00	Pressure Test Point - Screw & Fitting
35	1	E4454-00	Rear Shroud
36	1	B12189-00	Back Insulation
37	1	D5141-00	Front Shroud F/ Insulation Weldment
38	1	D5181-01	Side Shroud Weldment - R.H.
39	1	D5181-02	Side Shroud Weldment - L.H.
40	1	B12135-00	Pilot Cover
41	2	B12190-00	Front Shroud Insulation
42	2	B12188-00	Bottom Side Insulation
43	2	B12187-00	Top Side Insulation
44	1	P8835-16	1 ¼ NPT Ball Valve



MODEL 14GSU PARTS LIST

ITEM	QTY	PART NUMBER	DESCRIPTION
45	1	P9314-56	Inlet Gas Pipe (B13581)
46	1	B13618-00	Reducer Weldment
47	1	B12152-00	Front Plumbing Bracket
48	1	P8904-67	½ NPT Gas Shut Off Ball Valve
49	1	P8820-05	½ NPT x 3.500 Black Nipple
50	1	P8820-33	½ NPT x 2.500 Black Nipple
51	1	P8820-20	½ NPT Black Street Elbow
52	1	P8820-11	½ NPT 90 Elbow
53	1	P8820-53	½ NPT x 5.000 Black Nipple
54	1	P8820-10	½ NPT Black Close Nipple
55	2	P8820-06	½ NPT Black Union
56	1	P8905-70	Sit Gas Valve
57	2	C10119-00	Flue Side Shield Weldment
58	1	E4867-00	Cabinet Back
59	1	B13534-00	Rear Lower Shield Weldment
60	2	D5830-00	Cabinet Side Shield
61	1	C10898-00	Pilot Bracket
62	1	P8905-74	Pilot Assembly With Hood
63	1	P9132-34	Electronic Igniter - Single
64	1	P8901-38	375 Degree Thermostat Knob (B13642)
65	1	P8905-87	Thermostat #Rx-28-36
66	1	P8905-91	414 Degree High Limit Thermal Cutoff Switch
67	1	B13811-00	Safety Plate
68	1	B13793-01	Bulb Holder Cover
69	1	B13794-01	Bulb Holder Spacer
70	1	P9800-45	Kettle Screen
71	1	B14375-00	Thermostat, Hi-Limit, & Igniter Bracket
72	1	P9204-07	Hi-Limit Reset Label
73	2	P8025-03	¼-20 x ½ Hex Head Screw
74	2	P8055-44	¼" External Tooth Lock Washer
75	2	P8020-10	#10-24 x 3/8" Thumb Screw
76	1	P8020-22	#10-24 x ½ Phillip Pan Head Tap Screw
77	2	P8021-02	#10-16 x ½ Phillip Pan Head Self Tap Screw
78	1	E4488-02	Front Panel
79	1	B13620-00	Rear Upper Shield Weldment
N/S	2	P8900-08	Twin 14" Basket
N/S	4	K1100-00	Caster Set, 2 Stationary, 2 Swivel (Optional)
N/S	4	K1125-00	Stationary Caster Set (Optional)
N/S	4	K1150-00	Swivel Caster Set (Optional)
N/S	1	C9144-00	Drain Clean Out Rod

IMPORTANT: When ordering replacement parts...please supply model and serial number... type of gas... item number...description and part number. Part orders that are shipped due to lack of above information are subject to restocking charge. No merchandise can be returned without written permission.

SP# 102GSU Rev. 8/06



Anetsberger Brothers, Inc. ● 180 North Anets Drive ● Northbrook, Illinois 60062

Main: 847-272-0770 ● Toll Free: 800-837-2638 ● Fax: 847-272-1943

www.anets.us

