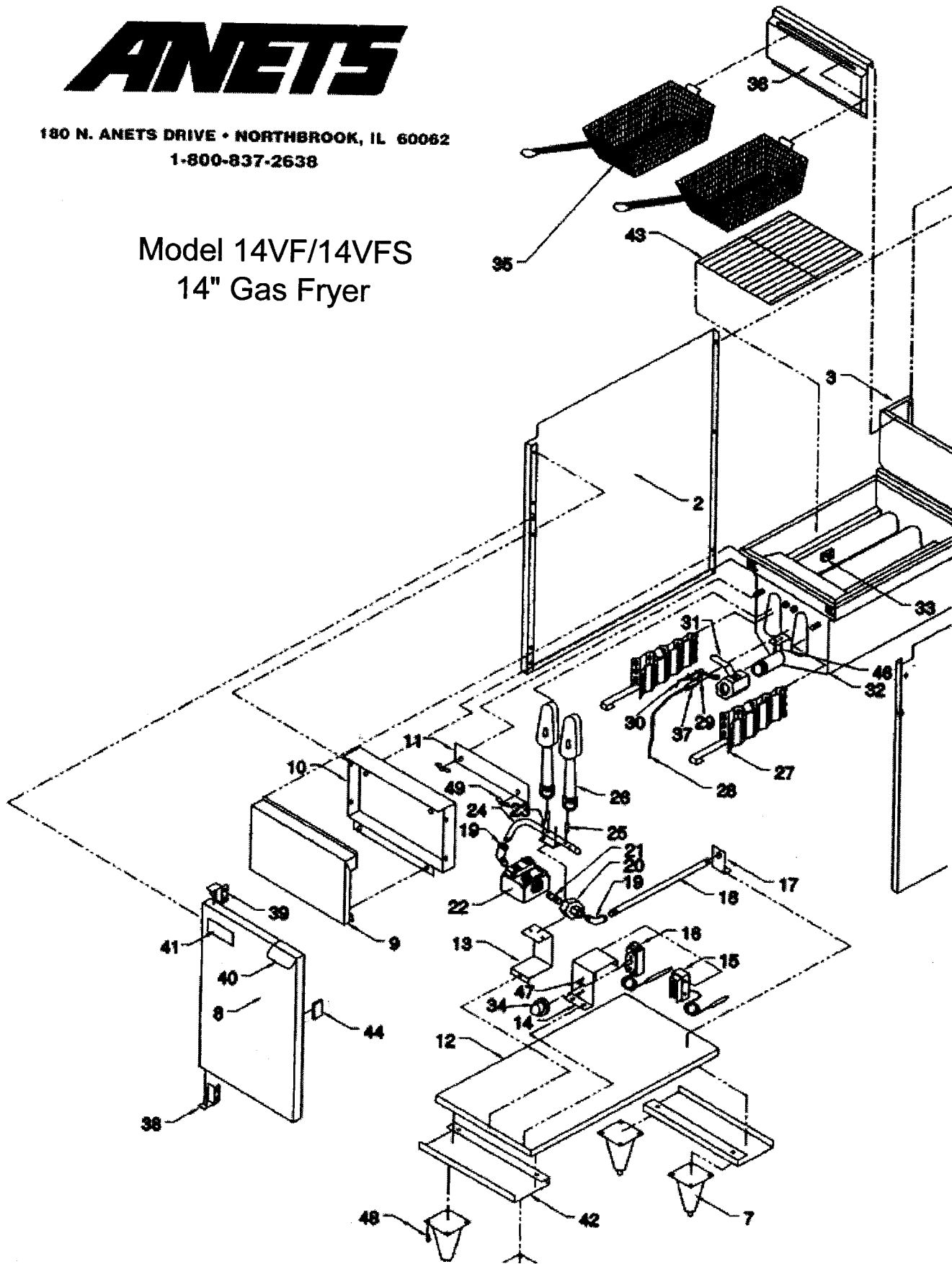




180 N. ANETS DRIVE • NORTHBROOK, IL 60062  
1-800-837-2638

### Model 14VF/14VFS 14" Gas Fryer



14VF PARTS LIST		
ITEM #	PART #	DESCRIPTION
1	E4909-01	Side Panel - Right Hand
2	E4909-00	Side Panel - Left Hand
3	D5415-15	Pot Back Extension Assembly
4	D5873-00	Flue Wrapper
5	E4899-00	Cabinet Back
6	B13811-00	Safety Plate
7	P9304-02 (4)	Leg - 6" Adjustable
8	D5876-00	Door
9	D5878-00	Front Trim
10	D5884-00	Front Cabinet Support
11	B13790-00	Burner Support Bar
12	D5875-00	Floor Panel
13	B13797-00	Manifold Mounting Bracket
14	D5885-00	Controls Enclosure
15	P8905-02	High Limit - Per Print B13775
16	P8905-03	Thermostat - Per Print B13776
17	B13798-00	Supply Pipe Support
18	P8820-83	Nipple 1/2 X 23 1/2 Black
19	P8820-20 (2)	Street Elbow 1/2 Black
20	P8820-06	Union 1/2 Black
21	P8820-52	Nipple 1/2 X 1-1/2 Black
22	P8903-42	Gas Valve 7000 BMVR NAT. 3.5WC (*This is for NATURAL)
23	P8020-97	10 - 24 X 3/8 Slotted Hex Hd.
24	P8841-38	Manifold - Per Print C10249
25	P8905-04 (2)	Main Burner Orifice - Natural P8905-05 - For L.P.
26	E4556-02 (2)	Burner Assembly - 14VF
27	C10254-00 (2)	Radiant Assembly
28	C10237-00	Pilot Tube
29	P8903-52	LP Pilot Orifice
30	P8903-22	Pilot Generator #Q313A1147
31	P8835-33	Ball Valve 1-1/4 N.P.T.
32	E4893-00	Pot Weldment - C.R.S. (*OPTIONAL) S.S. Pot Weldment is E4893-01
33 A	B13793-00	Cover - Bulb Holder
33 B	B13794-00	Spacer - Bulb Holder
33 C	P8050-16	Nut 1/4-20 Acorn
34	P8904-09	T-Stat Knob
35	P9800-08 (2)	Basket Twin 14"
36	C 10243-00	Basket Hanger
37	P8905-06	Pilot - Robertshaw Model With Natural Gas Orifice
38	B13765-01	Bottom Door Hinge Weldment
39	B 13765-00	Top Door Hinge Weldment
40	B13763-00	Door Handle
41	P9200-95	Name Plate - Per Print B10919
42	C10238-00 (2)	Caster Plate
43	P9800-83	Screen - 14VF Per Print C9045
44	P9302-14	Magnetic Catch #02-10-201-10
45	D5872-00	Flue Cover
46	P8020-36 (2)	Screw 10-32 X 1/4 Pan Hd. Phil
47	P8010-02 (2)	Screw 6-32 X 3/8 Pan M.S.
48	P8025-85 (16)	Tapping Screw 1/4 -14 X 3/4
49	P8050-20 (2)	Wing Nut 1/4 - 20
50	P9314-76	Drain Valve Extension (not shown)
51	K4800-00	L.P. Conversion Kit-14 VF (not shown)

ONLY DIFFERENCE IS TEMP. RANGES

FOR LP # P8905-36

52	P8020-03 (2)	Screw 10-24 X 3/8 Phillips Pan (not shown)
53	P8021-03 (50)	Tapping Screw #10-16 X 1/2 (not shown)
54	P8021-04 (3)	Screw 10-24 X 1/2 Type 23 (not shown)
55	P8021-05 (8)	Set Screw 10-24 X 1-1/4 SOC (not shown)
56	P8050-01 (2)	Push Nut#PH125 (not shown)
57	P8050-06 (4)	Nut 10-24 Hex Machine (not shown)