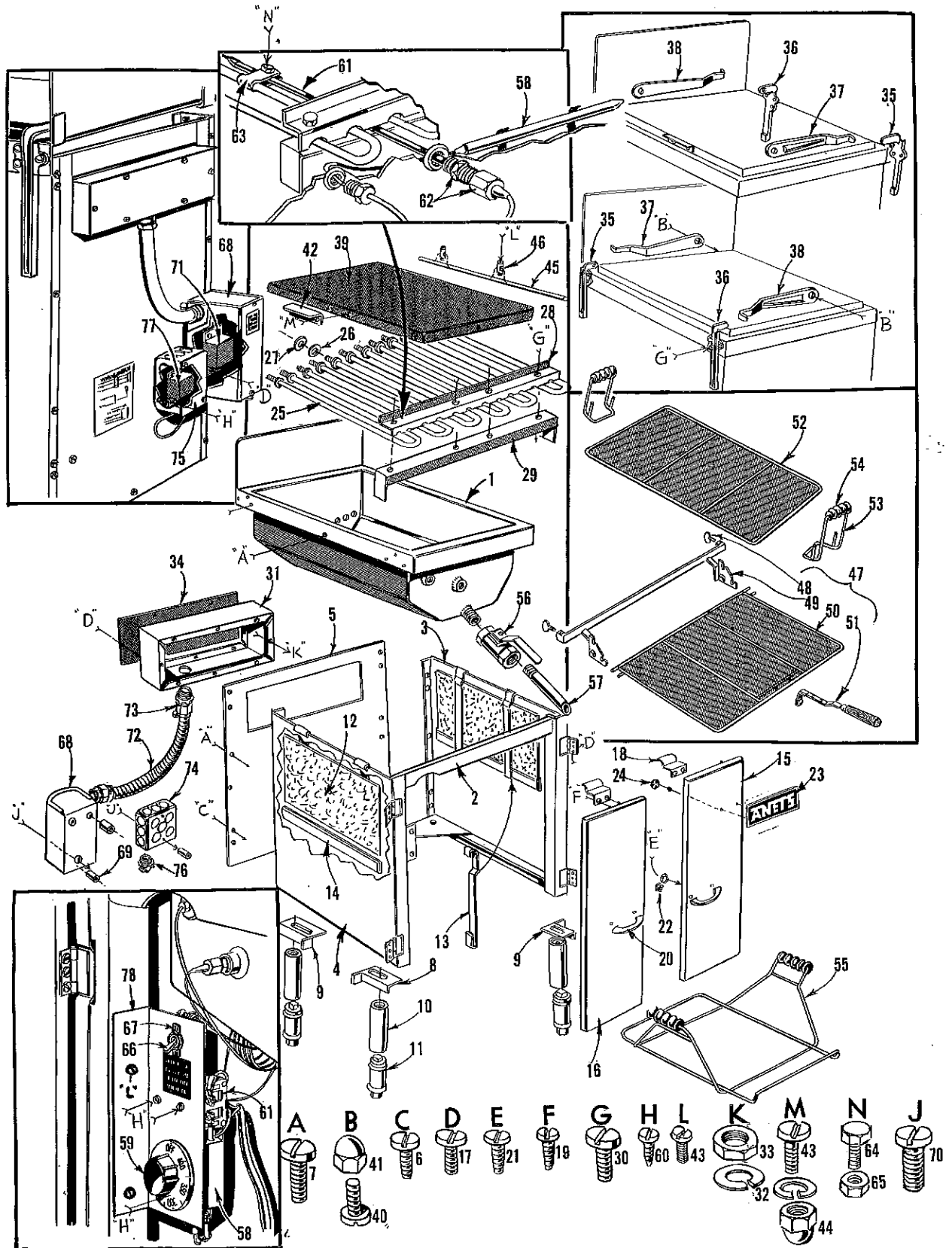


E-18x26 ELECTRIC FRYER

REPLACEMENT PARTS



E-18x26 ELECTRIC FRYER

REPLACEMENT PARTS

| ITEM NO. | DESCRIPTION | PART NO. | ITEM NO. | DESCRIPTION | PART NO. |
|----------|----------------------------|----------------|----------|-------------------------------|----------|
| 1. | POT S.A. | E3866-0 | 40. | SCREW 1/4-20 x 5/8 PAN M.S. | P8025-24 |
| 2. | FRAME S.S.A. | E3012-0 | 41. | NUT 1/4-20 ACORN | P8050-16 |
| 3. | SIDE PANEL RT. HD. S.S.A. | E735-2 | 42. | HANDLE | B8815-1 |
| 4. | SIDE PANEL LT. HD. S.S.A. | E735-1 | 43. | SCREW 10-24 x 3/8 TRUSS M.S. | P8020-59 |
| 5. | REAR PANEL S.S.A. | D4640-0 | 44. | NUT 10-24 ACORN | P8050-05 |
| 6. | SCREW 1/4-20 x 1 PAN TAPS | P8025-23 | 45. | DRAINBOARD RAIL | B1304-4 |
| 7. | SCREW 10-24 x 3/8 PAN TAPS | P8020-03 | 46. | RAIL STUD | B6258-0 |
| 8. | BOTTOM COVER | C6634-2 | 47. | SUBMERGER ASSEMBLY | E1508-0 |
| 9. | BOTTOM COVER | C6634-1 | 48. | THUMBSCREW 1/4-20 x 1/2 | P8025-04 |
| 10. | LEG S.S.A. | B8431-0 | 49. | FRAME S.A. | D2052-0 |
| 11. | LEG INSERT | P9300-13 | 50. | SCREEN | P9800-24 |
| 12. | INSULATION | P9301-47 | 51. | HANDLE S.A. | C4335-0 |
| 13. | INSULATION HANGER | B6272-0 | 52. | SCREEN | P9800-13 |
| 14. | CLEAT | B2005-4 | 53. | SCREEN HANDLES | P9800-17 |
| 15. | RT. DOOR S.S.A. | C7244-1 | 54. | HANDLE (BLK. WOOD) | P9300-63 |
| 16. | LT. DOOR S.S.A. | C7244-2 | 55. | LIFT OUT FRAME ASSEMBLY | P9800-18 |
| 17. | SCREW 8-32 x 3/8 PAN TAPS | P8015-01 | 56. | DRAIN VALVE | P9310-42 |
| 18. | DOOR CATCH | B10531-0 | 57. | NIPPLE | P8830-45 |
| 19. | SCREW 6-32 x 3/8 PAN TAPS | P8010-01 | 58. | THERMOSTAT (CONTROL) | P8901-70 |
| 20. | HANDLE | P9302-04 | 59. | KNOB | P8901-38 |
| 21. | SCREW 8-32 x 1/4 PAN M. S. | P8015-06 | 60. | SCREW 6-32 x 1/4 RD. HD. M.S. | P8010-05 |
| 22. | PLUG BUTTON | P9300-16 | 61. | THERMOSTAT (HI-LIMIT) | P8900-59 |
| 23. | NAME PLATE | P9200-95 | 62. | MALE CONNECTOR | P8840-77 |
| 24. | PUSH NUT | P8050-01 | 63. | TUBE CLIP | B10975-0 |
| 25. | HEATING ELEMENT | P9130-57 (240) | 64. | SCREW 6-32 x 1/2 HEX M.S. | P8010-21 |
| | HEATING ELEMENT | P9130-46 (208) | 65. | NUT 6-32 | P8050-21 |
| 26. | WASHER | P8055-48 | 66. | TOGGLE SWITCH | P9100-54 |
| 27. | GASKET | P9302-11 | 67. | SWITCH PLATE | P9100-32 |
| 28. | HEATER SPACER | C8169-0 | 68. | CONTACTOR (3 PH.) | B10851-0 |
| 29. | HEATER SUPPORT | C8170-0 | | CONTACTOR (1 PH.) | B10851-1 |
| 30. | SCREW 10-24 x 3/4 PAN TAPS | P8020-21 | 69. | SPACER | B10126-0 |
| 31. | WIRING BOX S.A. | B10724-0 | 70. | SCREW 10-24 x 1-1/4 PAN TAPS | P8020-61 |
| 32. | L.W. NO. 10 MED. SPLIT | P8055-04 | 71. | TRANSFORMER | P9130-61 |
| 33. | NUT NO. 10-24 | P8050-06 | 72. | FLEXIBLE CONDUIT | P9130-65 |
| 34. | WIRING BOX COVER | B10681-0 | 73. | STRAIGHT CONNECTOR | P9110-27 |
| 35. | DRAINBOARD BRACKET | D397-3 | 74. | RELAY BOX | B10934-0 |
| 36. | DRAINBOARD BRACKET | D397-4 | 75. | KNOCKOUT BOX COVER | P9105-07 |
| 37. | DRAINBOARD ARM | D397-1 | 76. | STRAIGHT CONNECTOR | P9110-28 |
| 38. | DRAINBOARD ARM | D397-2 | 77. | RELAY | P9130-78 |
| 39. | DRAINBOARD | D1100-1 | 78. | THERMOSTAT BRACKET | B10304-0 |

WHEN ORDERING, PLEASE SPECIFY SERIAL NUMBER OF UNIT, PART NUMBER AND DESCRIPTION OF ITEM ORDERED.

Specifications subject to change without notice.

ANETSBERGER BROTHERS, INC., 200 N. Anets Drive, Northbrook, Illinois 60062 (312) 272-0770 Fax # (312) 272-1095