



REPLACEMENT PARTS CATALOG

AT-5, AT-10

CONVEYOR TOASTERS

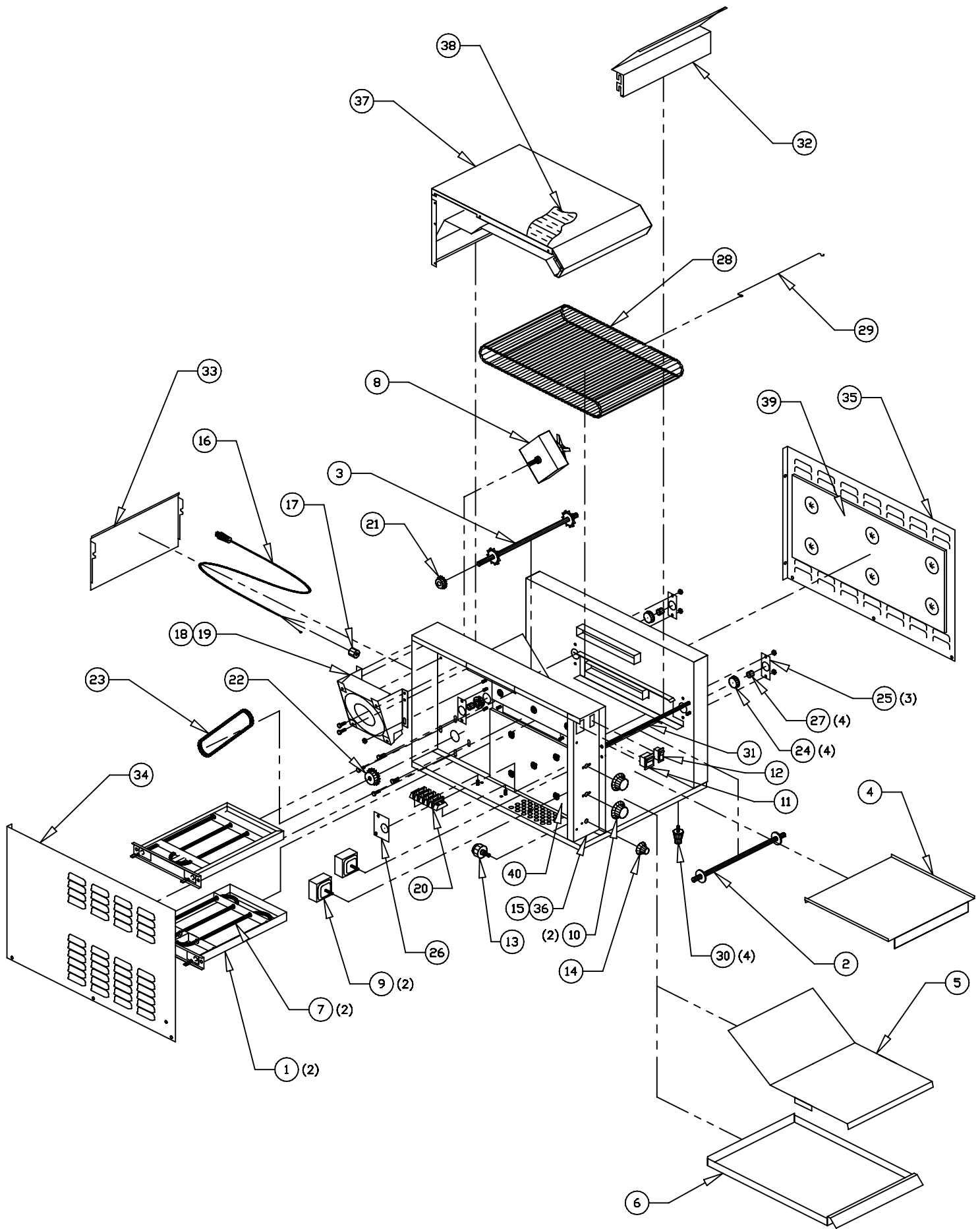
- AT-5 P/N 83982 - 120V**
- AT-10 P/N 83900 - 120V**
- AT-10 P/N 83901 - 208V**
- AT-10 P/N 83902 - 240V**
- AT-10BT P/N 83903 - 120V**
- AT-10V P/N 83904 - 120V**
- AT-10 P/N 83905 - 208/240V**
- AT-10 P/N 83906 - 240V-50HZ**
- AT-10 P/N 83909 - 208/240V**
- AT-10 P/N 83940 - 120V**

3 INCH OPENING

- AT-10 P/N 83943 - 120V**
- AT-10 P/N 83941 - 208V**
- AT-10 P/N 83942 - 240V**

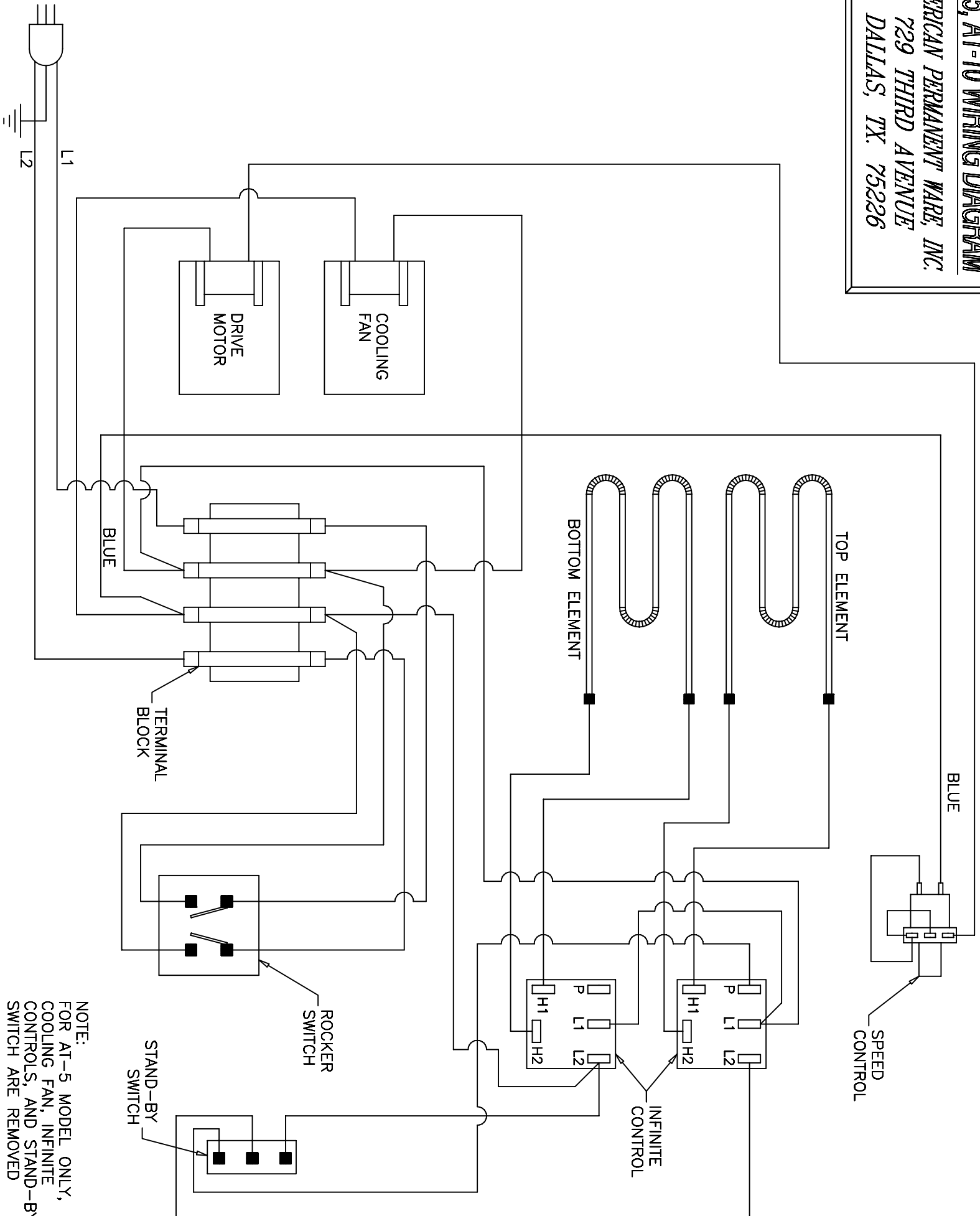
AT-5, AT-10 CONVEYOR TOASTERS

<i>ITEM NO.</i>	<i>STOCK NO.</i>	<i>DESCRIPTION</i>	<i>ITEM NO.</i>	<i>STOCK NO.</i>	<i>DESCRIPTION</i>
1	83834	ELEMENT RACK ASSEMBLY	29	83874	MASTER LINK, CONV. BELT
2	83851	IDLER SHAFT ASSEMBLY	30	83267	LEG 1 1/2" CHROME
3	83852	DRIVE SHAFT ASSEMBLY		87318	LEG 1-1/2" BLACK
	83956	DRIVE SHAFT 3 SEGMENT BELT	31	83871	FRONT STABILIZER ROD
4	83867	REFLECTOR, CRUMB TRAY	32	83883	FRONT BRACE/SUPERFEEDER
5	83887	BREAD SLIDE		83820	FRONT BRACE ONLY
6	83888	BREAD DRAWER TRAY	33	83802	LOWER BACK PANEL
7	54011	ELEMENT 120V-420W	34	83827	LEFT SIDE COVER
	54004	ELEMENT 120V-860W		83949	LEFT SIDE COVER 3"
	54009	ELEMENT 120V-1300W	35	83861	RIGHT SIDE COVER
	54085	ELEMENT 120V-575W AT-5 TOP		83955	RIGHT SIDE COVER 3"
	54086	ELEMENT 120V-825W AT-5 BTM	36	83890	CONTROL PANEL
	54005	ELEMENT 208V-1400W		83870	CONTROL PANEL AT-5
	54006	ELEMENT 230/240V-1285/1400W		83946	CONTROL PANEL 3"
8	85152	DRIVE MOTOR 120V	37	83846	CENTER PANEL ASSY
	85149	DRIVE MOTOR 208/240V		83653	CENTER PANEL ASSY AT-5
	85144	DRIVE MOTOR 230V-50HZ	38	60142	INSULATION-CENTER PANEL
9	69102	INFINITE CONTROL 120V		56514	INSULATION-CENTER PANEL AT-5
	69103	INFINITE CONTROL 208/240V	39	60138	INSULATION-RT. SIDE COVER
10	88705	KNOB, INFINITE CONTROL		60149	INSULATION -RT. SIDE COVER 3"
11	89406	MAIN POWER SWITCH	40	60148	INSULATION-LT. INSIDE PANEL
12	89408	STAND-BY SWITCH		60147	INSULATION-LT. INSIDE PANEL 3"
13	83255	SPEED CONTROL 120V	ITEMS NOT SHOWN		
	83273	SPEED CONTROL 208/240V		83893	CONTROL COVER OPTIONAL
14	75617	KNOB, SPEED CONTROL		83446	CLEANING BRUSH ACCESSORY
15	83894	CONTROL PLATE LABEL		83850	WIRING HARNESS
	58061	CONTROL PLATE LABEL AT-5		83652	WIRING HARNESS AT-5
16	83266	POWER CORD 120V (5-15P)		89184	7/8 HOLE BUSHING
	83277	POWER CORD 208/240V (6-20P)		89054	6-32 KEPS NUT
	55957	POWER CORD 230V UK		89063	8-32 HEX NUT
	83204	POWER CORD 230V SCHUKO		89061	10-24 HEX NUT
17	89111	STRAIN RELIEF BUSHING		89025	10-24 SPEED NUT
	89109	STRAIN RELIEF UK & SCHUKO		89059	#10 EXTERNAL LOCKWASHER
18	85286	COOLING FAN 120V		88947	3/8 FLAT WASHER
	85284	COOLING FAN 208/240V		88927	1 1/2" WASHER WELD PIN
19	85285	CORD, COOLING FAN 120V		88909	8-18 x 3/8 TRUSS HD SCREW
20	89145	TERMINAL BLOCK		89042	8-32 x 1/2 SS SCREW
21	83240	16 T CONVEYOR SPROCKET		89073	#8 x 1/2 SHEET MTL SCREW
	83261	12 T CONVEYOR SPROCKET		89021	10-32 x 3/8 SS SCREW
22	83260	18 T MOTOR SPROCKET			
	83209	23 T MOTOR SPROCKET			
23	82901	DRIVE CHAIN 68 LINKS			
	82902	DRIVE CHAIN 67 LINKS			
24	83248	BEARING, SHAFTS			
25	83821	BEARING RETAINER BRKT.			
26	83879	BER.RET.BRKT.,LEFT FRONT			
27	83868	SPACER, BEARING SHAFTS			
28	83859	CONVEYOR BELT 79 LINKS			
	82925	CONVEYOR BELT 3 SEGMENT			



AT-5, AT-10 WIRING DIAGRAM

AMERICAN PERMANENT WARE, INC.
729 THIRD AVENUE
DALLAS, TX. 75226



NOTE:
FOR AT-5 MODEL ONLY,
COOLING FAN, INFINITE
CONTROLS, AND STAND-BY
SWITCH ARE REMOVED