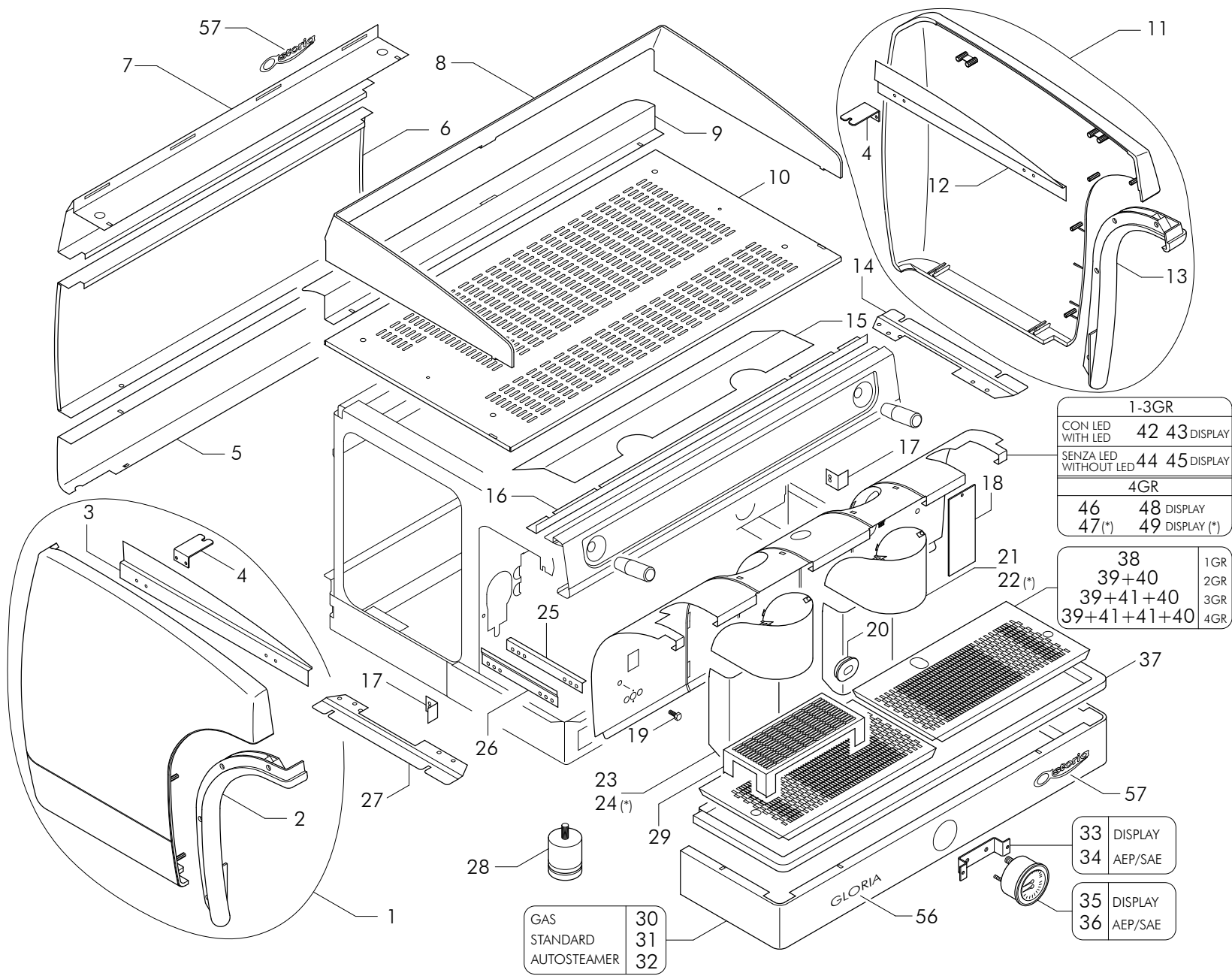


Code	Description	Page	Rev.	Date
	Carrozzeria - Body parts - Carrosserie - Karosserie			
GLCT-01	Celeste - Light Blue - Bleu Ciel - Celeste	2	02	07/2017
GLCT-02	Nero/Cromo - Black/Chrome - Noir/Chrome - Schwarz/Chromiert	6	02	07/2017
GLCT-03	Grigio - Gray - Gris - Grau	10	02	07/2017
GLCT-04	Cromo - Chrome - Chrome - Chrom	14	02	07/2017
GLCT-11	Pulsantiera - Push buttons - Claviers - Bedienblenden	18	00	01/2014
	Lancia - Tube - Tuyau - Rohr			
GLCT-21	Vapore 1-2-3GR - Steam 1-2-3GR - Vapeur 1-2-3GR - Dampf 1-2-3GR	20	03	07/2017
GLCT-22	Vapore 4GR - Steam 4GR - Vapeur 4GR - Dampf 4GR	22	04	02/2018
GLCT-23	Acqua - Water - Eau - Wasser	24	02	07/2017
GLCT-24	Autosteamer	26	03	02/2018
GLCT-31	Gruppo - Group - Groupe - Gruppe	28	03	10/2019
	Caldaia - Boiler - Chaudiere - Kessel			
GLCT-41	1GR	30	03	02/2018
GLCT-42	2GR	32	03	02/2018
GLCT-43	3GR	34	03	02/2018
GLCT-44	4GR	36	03	02/2018
	Impianti idraulici - Hydraulic circuits - Circuits hydrauliques - Wasser anlage			
GLCT-51	AEP 1GR	38	03	02/2018
GLCT-52	AEP 2GR	41	03	02/2018
GLCT-53	AEP 3GR	44	03	02/2018
GLCT-54	AEP 4GR	47	03	02/2018
GLCT-55	SAE 1GR	50	03	02/2018
GLCT-56	SAE 2GR	53	03	02/2018
GLCT-57	SAE 3GR	56	03	02/2018
GLCT-58	SAE 4GR	59	03	02/2018
	Impianti elettrici - Electrical systems - Circuits electriques - Strom anlage			
GLCT-61	AEP	62	01	10/2015
GLCT-62	SAE - DISPLAY	64	02	11/2016
GLCT-63	Scald tazze - Cup heating - Chauffe tasses - Tassenwarmer	66	01	10/2015
GLCT-64	LED	68	00	01/2014
GLCT-71	Impianto Gas - Gas system - Installation Gaz - Gasanlage	70	02	07/2017
	Motopompa - Motor pump - Motopompe - Motor pump			
GLCT-81	Incorporata - Built-in - Incorporé - Eingebaute	73	02	07/2017
GLCT-82	Esterna - External - Extérieur - Aussenansicht	75	03	07/2017



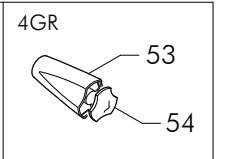
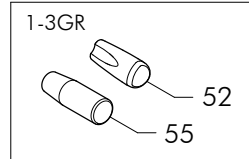
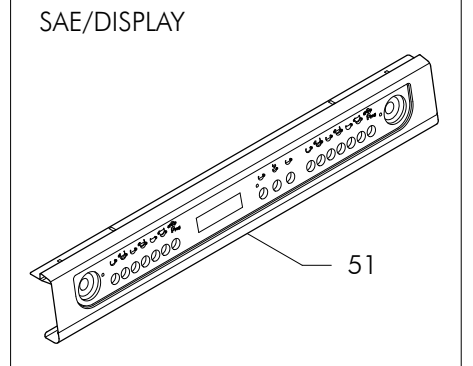
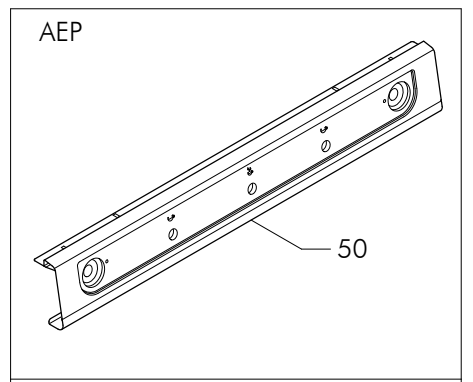
1-3GR	
CON LED	42 43 DISPLAY
WITH LED	
SENZA LED	44 45 DISPLAY
WITHOUT LED	
4GR	
46	48 DISPLAY
47(*)	49 DISPLAY (*)

38	1GR
39+40	2GR
39+41+40	3GR
39+41+41+40	4GR

GAS	30
STANDARD	31
AUTOSTEAMER	32

33	DISPLAY
34	AEP/SAE

35	DISPLAY
36	AEP/SAE



(*) GRUPPI RIALZATI / RAISED GROUPS
GROUPES REHAUSSÉS / ERHOEHTE GRUPPEN

CELESTE - LIGHT BLUE - BLEU CIEL - CELESTE

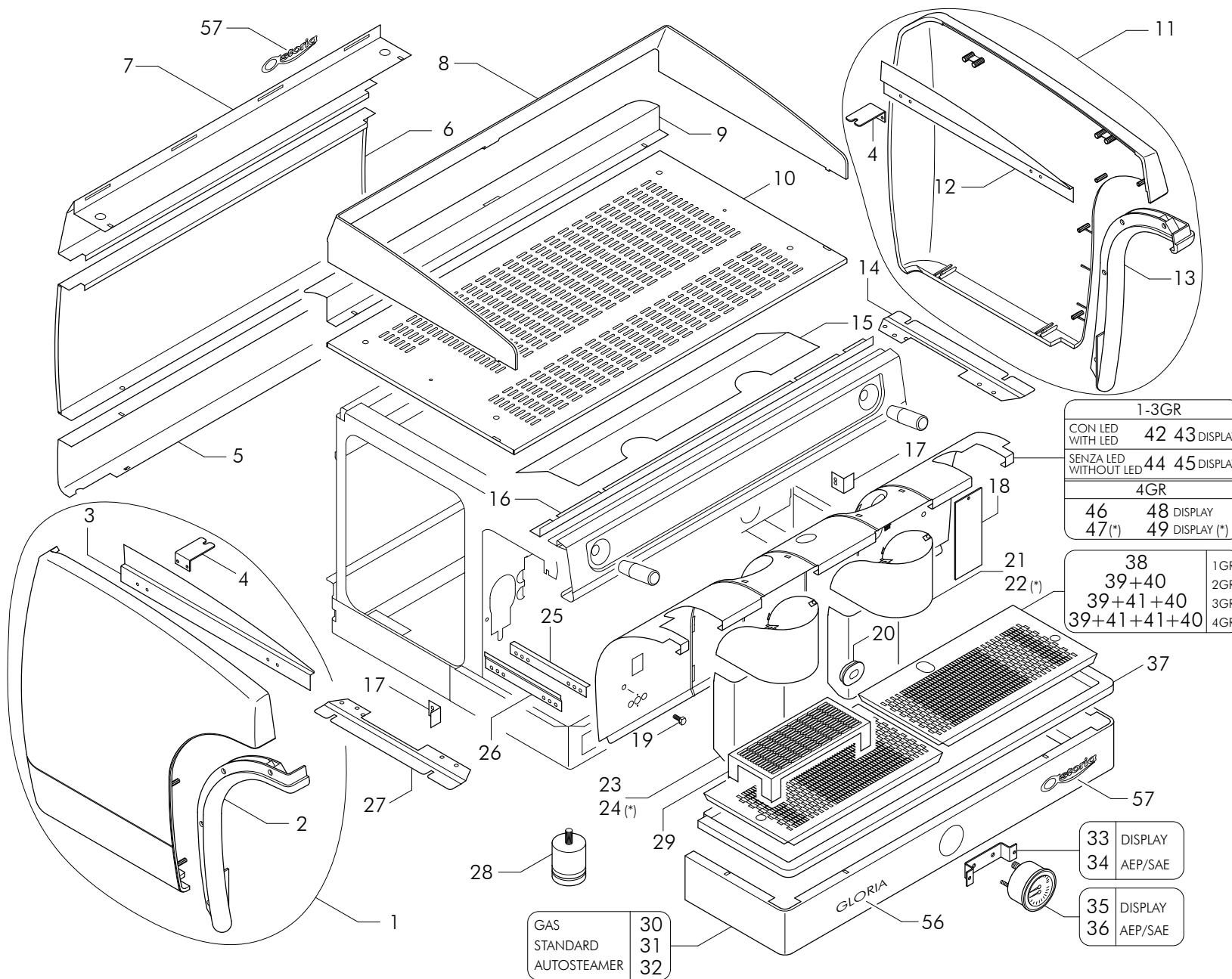
Pos	Code	Denominazione - IT -	Denomination - EN -	Denomination - FR -	Denomination - DE -
1	56910101	FIANCO ASSIEMATO SINISTRO CELESTE	ASSEMBLY LEFT SIDE PANEL LIGHT BLUE	ASSEMBLE COTE GAUCHE BLEU	LINKE SEITE HELLBLAU
2	77498501	PROFILO FIANCO SINISTRO CROMO	LEFT SIDE STRIP CHROME	PROFILS POUR COTE GAUCHE CHROME	PROFIL FUR LINKE SEITE
3	77607052	PROFILO INTERNO SINISTRO FIANCO	INTERNAL STRIP LEFT	PROFIL INT. GAUCHE	PROFIL INNEN LINKE
4	78167010	STAFFA SUP.DX-SX SUPPORTO FIANCO	RH-LH PANEL SUPPORT	SUPPORT DR-GA COTE	RECHTS/LINKS HALTER
5	75288004	PANNELLO INF.1GR CELESTE+BRILL	LOWER PANEL 1GR BLUE	PANNEAU INF. 1GR BLEU	UNTERTAFEL 1GR BLAU
5	75288008	PANNELLO INF.2GR CELESTE+BRILL	LOWER PANEL 2GR BLUE	PANNEAU INF. 2GR BLEU	UNTERETAFEL 2GR BLAU
5	75288012	PANNELLO INF.3GR CELESTE+BRILL	LOWER PANEL 3GR BLUE	PANNEAU INF. 3GR BLEU	UNTERTAFEL 3GR BLAU
5	75288016	PANNELLO INF.4GR CELESTE+BRILL	LOWER PANEL 4GR BLUE	PANNEAU INF. 4GR BLEU	UNTERTAFEL 4GR BLAU
6	75288005	PANNELLO CENT.1GR CELESTE+BRILL	CENTRAL PANEL 1GR BLUE	PANNEAU CENTRAL 1GR BLEU	ZENTRALTAFEL 1GR BLAU
6	75288009	PANNELLO CENT.2GR CELESTE+BRILL	CENTRAL PANEL 2GR BLUE	PANNEAU CENTRAL 2GR BLEU	ZENTRALTAFEL 2GR BLAU
6	75288013	PANNELLO CENT.3GR CELESTE+BRILL	CENTRAL PANEL 3GR BLUE	PANNEAU CENTRAL 3GR BLEU	ZENTRALTAFEL 3GR BLAU
6	75288017	PANNELLO CENT.4GR CELESTE+BRILL	CENTRAL PANEL 4GR BLUE	PANNEAU CENTRAL 4GR BLEU	ZENTRALTAFEL 4GR BLAU
7	75288006	PANNELLO SUP.1GR CELESTE+BRILL	TOP PANEL 1GR BLUE	PANNEAU SUPERIEURE 1GR BLEU	OBERTAFEL 1GR BLAU
7	75288010	PANNELLO SUP.2GR CELESTE+BRILL	TOP PANEL 2GR BLUE	PANNEAU SUPERIEURE 2GR BLEU	OBERTAFEL 2GR BLAU
7	75288014	PANNELLO SUP.3GR CELESTE+BRILL	TOP PANEL 3GR BLUE	PANNEAU SUPERIEURE 3GR BLEU	OBERTAFEL 3GR BLAU
7	75288018	PANNELLO SUP.4GR CELESTE+BRILL	TOP PANEL 4GR BLUE	PANNEAU SUPERIEURE 4GR BLEU	OBERTAFEL 4GR BLAU
8	21162147	PLEXIGLASS 1GR	PLEXIGLASS 1GR	PLEXIGLASS 1GR	PLEXIGLASS 1GR
8	21162148	PLEXIGLASS 2GR	PLEXIGLASS 2GR	PLEXIGLASS 2GR	PLEXIGLASS 2GR
8	21162149	PLEXIGLASS 3GR	PLEXIGLASS 3GR	PLEXIGLASS 3GR	PLEXIGLASS 3GR
8	21162150	PLEXIGLASS 4GR	PLEXIGLASS 4GR	PLEXIGLASS 4GR	PLEXIGLASS 4GR
9	75288007	PROFILO SUP.FERMA PLEXIGLASS 1GR INOX	PLEXIGLASS SUPPORT 1GR S.STEEL	SUPPORT PLEXIGLASS 1GR INOX	PLEXIGLASSHALTER 1GR STAHL
9	75288011	PROFILO SUP.FERMA PLEXIGLASS 2GR INOX	PLEXIGLASS SUPPORT 2GR S.STEEL	SUPPORT PLEXIGLASS 2GR INOX	PLEXIGLASSHALTER 2GR STAHL
9	75288015	PROFILO SUP.FERMA PLEXIGLASS 3GR INOX	PLEXIGLASS SUPPORT 3GR S.STEEL	SUPPORT PLEXIGLASS 3GR INOX	PLEXIGLASSHALTER 3GR STAHL
9	75288019	PROFILO SUP.FERMA PLEXIGLASS 4GR INOX	PLEXIGLASS SUPPORT 4GR S.STEEL	SUPPORT PLEXIGLASS 4GR INOX	PLEXIGLASSHALTER 4GR STAHL
10	76100101	GRIGLIA SUPERIORE ER/1 INOX	TOP GRATE ER/1 S.STEEL	GRILLE SUP. ER/1 INOX	OBERGITTER ER/1 STAHL
10	76100102	GRIGLIA SUPERIORE ER/2 INOX	TOP GRATE ER/2 S.STEEL	GRILLE SUP. ER/2 INOX	OBERGITTER ER/2 STAHL
10	76100103	GRIGLIA SUPERIORE ER/3 INOX	TOP GRATE ER/3 S.STEEL	GRILLE SUP. ER/3 INOX	OBERGITTER ER/3 STAHL
10	76100104	GRIGLIA SUPERIORE ER/4 INOX	TOP GRATE ER/4 S.STEEL	GRILLE SUP. ER/4 INOX	OBERGITTER ER/4 STAHL
11	56910100	FIANCO ASSIEMATO DESTRO CELESTE	ASSEMBLY RIGHT SIDE PANEL LIGHT BLUE	ASSEMBLE COTE DROITE BLEU	RECHTE SEITE HELLBLAU
12	77607051	PROFILO INTERNO DESTRO FIANCO	INTERNAL STRIP RIGHT	PROFIL INT. COTE DROIT	PROFIL INNEN RECHTE
13	77498500	PROFILO FIANCO DESTRO CROMO	RIGHT SIDE STRIP CHROME	PROFILS POUR COTE DROIT CHROME	PROFIL FUR RECHTE SEITE CHROME
14	77607049	STAFFA INF.DESTRA FIANCO	LOWER SIDE BRACKET	ETRIER INFERIEUR COTE	SEITE BUGEL UNTER
15	77691960	PROTEZIONE PULSANTIERA AEP-SAE/1 INOX/L	PUSH BUTTON PANEL GUARD AEP-SAE/1	PROTECTION CLAVIERS AEP-SAE/1	SCHUTZ BEDIENBLLENDE AEP-SAE/1
15	77691961	PROTEZIONE PULSANTIERA AEP-SAE/2 INOX/L	PUSH BUTTON PANEL GUARD AEP-SAE/2	PROTECTION CLAVIERS AEP-SAE/2	SCHUTZ BEDIENBLLENDE AEP-SAE/2
15	77691962	PROTEZIONE PULSANTIERA AEP-SAE/3 INOX/L	PUSH BUTTON PANEL GUARD AEP-SAE/3	PROTECTION CLAVIERS AEP-SAE/3	SCHUTZ BEDIENBLLENDE AEP-SAE/3
15	77691963	PROTEZIONE PULSANTIERA AEP-SAE/4 INOX/L	PUSH BUTTON PANEL GUARD AEP-SAE/4	PROTECTION CLAVIERS AEP-SAE/4	SCHUTZ BEDIENBLLENDE AEP-SAE/4

CELESTE - LIGHT BLUE - BLEU CIEL - CELESTE

Pos	Code	Denominazione - IT -	Denomination - EN -	Denomination - FR -	Denomination - DE -
16	77691986	PROTEZIONE ANT.FERMATAZZE 1GR INOX	BLOCK CUP 1GR S.STEEL	FERMETURE TASSE 1GR INOX	BLOCK TASSE 1GR STAHL
16	77691987	PROTEZIONE ANT.FERMATAZZE 2GR INOX	BLOCK CUP 2GR S.STEEL	FERMETURE TASSE 2GR INOX	BLOCK TASSE 2GR STAHL
16	77691988	PROTEZIONE ANT.FERMATAZZE 3GR INOX	BLOCK CUP 3GR S.STEEL	FERMETURE TASSE 3GR INOX	BLOCK TASSE 3GR STAHL
16	77691989	PROTEZIONE ANT.FERMATAZZE 4GR INOX	BLOCK CUP 4GR S.STEEL	FERMETURE TASSE 4GR INOX	BLOCK TASSE 4GR STAHL
17	77607048	PROF.COPRIFORO INF.DESTRO-SINISTRO FIANCO	RIGHT-LEFT PROFILE SIDE	PROFIL DROIT-GAUCHE COTE	RECHT-LINKE PROFIL
18	21203	PLEXIGLASS SEGNALIVELLO	COLOURLESS LEVEL INDICATOR 0	SIGNAL NIVEAU	FARBLOSER NIVEAUANZEIGER
19	23420001	VITE TE BOMBATA M6x12	SCREW M6x12	VIS M6x12	SCHRAUBE M6x12
20	15373070	TAPPO ABS CROMATO FORO GAS	CHROMED CAP	BOUCHON CHROME COUVRE-TROU DU GAZ	CHROM CAP
21	8377691969R	KIT PROTEZIONE SUPERIORE GRUPPO	ASSEMBLY TOP PROTECTION GROUP	ENSEMBLE PROTECTION SUPERIEURE GROUPE	OBER GRUPPEN SCHUTZ
22	8377691984R	KIT PROTEZIONE SUPERIORE GRUPPO RIALZATO	ASSEMBLY TOP PROTECTION RAISED GROUP	ENSEMBLE PROTECTION SUPERIEURE GROUPE	OBER ERHOEHTE GRUPPEN SCHUTZ
23	77691968	PROTEZIONE INFERIORE GRUPPO	LOWER PROTECTION GROUP	PROTECTION INFER. GROUPE	UNTER GRUPPEN SCHUTZ
24	77691983	PROTEZIONE INF.GRUPPO RIALZATO GLORIA	LOWER PROTECTION RAISED GROUPS	PROTECTION INFER. GROUPE REHAUSSES	UNTER ERHOEHTE GRUPPEN SCHUTZ
25	77741	GUIDA DESTRA-SINISTRA BACINELLA	R-L BASIN GUIDE FOR FRAMES	GUIDE DX-SX CUVE x CHASSIS	FUHRUNG RECHTS-LINKS SCHALE FUR RAH
26	77742005	DISTANZIALE GUIDA BACINELLA	SPACER GLOSSY	ENTRETOISE CUVE	DISTANZSTUECK
27	77607050	STAFFA INF.SINISTRO FIANCO	LOWER SIDE BRACKET	ETRIER INFERIEUR COTE	SEITE BUGEL UNTER
28	15318001	PIEDINO REGOLABILE INOX/SAT H55/69	ADJUSTABLE FOOT H55/69 INT.THREAD+SCREW	PIED REGLABLE H55/69	REGELBARER FUSS H55/69
29	76149054	GRIGLIA RIALZO TAZZE 1/2GR	CUPS-STAND FOR RAISED GROUP 1/2GR	GRILLE SUPERIEURE 1/2GR	GITTER FUER HOHE GRUPPE 1/2GR
29	76149065	GRIGLIA RIALZO TAZZE 3/4GR	CUPS-STAND FOR RAISED GROUP 3/4GR	GRILLE SUPERIEURE 3/4GR	GITTER FUER HOHE GRUPPE 3/4GR
30	77487105	PROFILO BASAMENTO ANT.1GR INOX/LUC GAS	BASE SURROUND 1GR S.STEEL GAS	PROFILS BASE 1GR INOX GAZ	GRUNDPROFIL 1GR STAHL GAS
30	77487106	PROFILO BASAMENTO ANT.2GR INOX/LUC GAS	BASE SURROUND 2GR S.STEEL GAS	PROFILS BASE 2GR INOX GAZ	GRUNDPROFIL 2GR STAHL GAS
30	77487107	PROFILO BASAMENTO ANT.3GR INOX/LUC GAS	BASE SURROUND 3GR S.STEEL GAS	PROFILS BASE 3GR INOX GAZ	GRUNDPROFIL 3GR STAHL GAS
30	77487108	PROFILO BASAMENTO ANT.4GR INOX/LUC GAS	BASE SURROUND 4GR S.STEEL GAS	PROFILS BASE 4GR INOX GAZ	GRUNDPROFIL 4GR STAHL GAS
31	77487101	PROFILO BASAMENTO ANT.1GR INOX/LUC	BASE SURROUND 1GR S.STEEL	PROFILS BASE 1GR INOX	GRUNDPROFIL 1GR STAHL
31	77487102	PROFILO BASAMENTO ANT.2GR INOX/LUC	BASE SURROUND 2GR S.STEEL	PROFILS BASE 2GR INOX	GRUNDPROFIL 2GR STAHL
31	77487103	PROFILO BASAMENTO ANT.3GR INOX/LUC	BASE SURROUND 3GR S.STEEL	PROFILS BASE 3GR INOX	GRUNDPROFIL 3GR STAHL
31	77487104	PROFILO BASAMENTO ANT.4GR INOX/LUC	BASE SURROUND 4GR S.STEEL	PROFILS BASE 4GR INOX	GRUNDPROFIL 4GR STAHL
32	83770032R	KIT BASAMENTO 2GR AUTOSTEAMER	ASSEMBLY BASE SURROUND 2GR AUTOSTEAMER	ENSEMBLE PROFIL BASE 2GR AUTOSTEAMER	GRUNDPROFIL 2GR AUTOMATISCHE DAMPF
32	83770033R	KIT BASAMENTO 3GR AUTOSTEAMER	ASSEMBLY BASE SURROUND 3GR AUTOSTEAMER	ENSEMBLE PROFIL BASE 3GR AUTOSTEAMER	GRUNDPROFIL 3GR AUTOMATISCHE DAMPF
33	78150055	SUPPORTO MANOMETRO	GAUGE SUPPORT	SUPPORT MANOMETRE	MANOMETERHALTER
34	78150054	SUPPORTO MANOMETRO	GAUGE SUPPORT	SUPPORT MANOMETRE	MANOMETERHALTER
35	4621114	MANOMETRO TONDO	ROUND PRESSURE GAUGE	MANOMETRE ROND	MANOMETER
36	4621112	MANOMETRO TONDO DOPPIA SCALA	ROUND PRESSURE GAUGE	MANOMETRE ROND	MANOMETER
37	76095	BACINELLA 1GR INOX LUCIDO	1GR GLOSSY STAINLESS STEEL TRAY	BASSINELLE 1GR INOX BRILLANT	STAHLSCHALE 1GR
37	76096	BACINELLA 2GR INOX LUCIDO	2GR GLOSSY STAINLESS STEEL TRAY	BASSINELLE 2GR INOX BRILLANT	STAHLSCHALE 2GR
37	76097	BACINELLA 3GR INOX LUCIDO	3GR GLOSSY STAINLESS STEEL TRAY	BASSINELLE 3GR INOX BRILLANT	STAHLSCHALE 3GR
37	76098	BACINELLA 4GR INOX LUCIDO	4GR GLOSSY STAINLESS STEEL TRAY	BASSINELLE 4GR INOX BRILLANT	STAHLSCHALE 4GR

CELESTE - LIGHT BLUE - BLEU CIEL - CELESTE

Pos	Code	Denominazione - IT -	Denomination - EN -	Denomination - FR -	Denomination - DE -
38	76153000	GRIGLIA INFERIORE INOX LUC.456x201	LOWER GRILL 456x201 SHINY S.STEEL	GRILLE INF.INOX 456x201	STAHL-UNTERGITTER 456x201
39	76154000	GRIGLIA INF.DESTRA INOX LUC.338.5x201	RIGHT LOWER GRILL -SHINY S.STEEL	GRILLE INF.DROIT INOX 338,5x201	STAHL-UNTER-RECHTEGITTER 338,5x201
40	76155000	GRIGLIA INF.SINISTRA INOX LUC.338.5x201	LEFT LOWER GRILL - SHINY S.STEEL	GRILLE INF.GAUCHE INOX 338,5x201	STAHL-UNTER-LINKEGITTER 338,5x201
41	76156000	GRIGLIA INFERIORE INOX LUC.	LOWER GRILL - SHINY S.STEEL	GRILLE INF.INOX	STAHL-UNTERGITTER
42	8377043974R	KIT COPRICALDAIA 1GR INOX/LUC LED CTS	ASSEMBLY S.STEEL BOILER COVER 1GR LED	ENSEMBLE COUVRE-CHAUDIERE INOX 1GR LED	KESSELDECKEL 1GR LED STAHL CTS
42	8377043975R	KIT COPRICALDAIA 2GR INOX/LUC LED CTS	ASSEMBLY S.STEEL BOILER COVER 2GR LED	ENSEMBLE COUVRE-CHAUDIERE INOX 2GR LED	KESSELDECKEL 2GR LED STAHL CTS
42	8377043976R	KIT COPRICALDAIA 3GR INOX/LUC LED CTS	ASSEMBLY S.STEEL BOILER COVER 3GR LED	ENSEMBLE COUVRE-CHAUDIERE INOX 3GR LED	KESSELDECKEL 3GR LED STAHL CTS
43	8377043978R	KIT COPRICALDAIA 1GR INOX/LUC LED CTS DISP	ASSEMBLY S.STEEL BOILER COVER 1GR LED	ENSEMBLE COUVRE-CHAUDIERE INOX 1GR LED	KESSELDECKEL 1GR LED STAHL CTS DISPLAY
43	8377043979R	KIT COPRICALDAIA 2GR INOX/LUC LED CTS DISP	ASSEMBLY S.STEEL BOILER COVER 2GR LED	ENSEMBLE COUVRE-CHAUDIERE INOX 2GR LED	KESSELDECKEL 2GR LED STAHL CTS DISPLAY
43	8377043980R	KIT COPRICALDAIA 3GR INOX/LUC LED CTS DISP	ASSEMBLY S.STEEL BOILER COVER 3GR LED	ENSEMBLE COUVRE-CHAUDIERE INOX 3GR LED	KESSELDECKEL 3GR LED STAHL CTS DISPLAY
44	8377043986R	KIT COPRICALDAIA 1GR INOX/LUC CTS	ASSEMBLY S.STEEL BOILER COVER 1GR CTS	ENSEMBLE COUVRE-CHAUDIERE INOX 1GR CTS	KESSELDECKEL 1GR STAHL CTS
44	8377043987R	KIT COPRICALDAIA 2GR INOX/LUC CTS	ASSEMBLY S.STEEL BOILER COVER 2GR CTS	ENSEMBLE COUVRE-CHAUDIERE INOX 2GR CTS	KESSELDECKEL 2GR STAHL CTS
44	8377043988R	KIT COPRICALDAIA 3GR INOX/LUC CTS	ASSEMBLY S.STEEL BOILER COVER 3GR CTS	ENSEMBLE COUVRE-CHAUDIERE INOX 3GR CTS	KESSELDECKEL 3GR STAHL CTS
45	8377043990R	KIT COPRICALDAIA 1GR INOX/LUC CTS DISPLAY	ASSEMBLY S.STEEL BOILER COVER 1GR CTS	ENSEMBLE COUVRE-CHAUDIERE INOX 1GR CTS	KESSELDECKEL 1GR STAHL CTS DISPLAY
45	8377043991R	KIT COPRICALDAIA 2GR INOX/LUC CTS DISPLAY	ASSEMBLY S.STEEL BOILER COVER 2GR CTS	ENSEMBLE COUVRE-CHAUDIERE INOX 2GR CTS	KESSELDECKEL 2GR STAHL CTS DISPLAY
45	8377043992R	KIT COPRICALDAIA 3GR INOX/LUC CTS DISPLAY	ASSEMBLY S.STEEL BOILER COVER 3GR CTS	ENSEMBLE COUVRE-CHAUDIERE INOX 3GR CTS	KESSELDECKEL 3GR STAHL CTS DISPLAY
46	8377044024R	KIT COPRICALDAIA ER/4 INOX/LUC	ASSEMBLY S.STEEL BOILER COVER ER/4	ENSEMBLE COUVRE-CHAUDIERE INOX ER/4	KESSELDECKEL ER/4 STAHL
47	8377044053R	KIT COPRICALDAIA ER/4 INOX/LUC GR.RI.	ASSEMBLY S.STEEL BOILER COVER ER/4	ENSEMBLE COUVRE-CHAUDIERE INOX ER/4	KESSELDECKEL ER/4 STAHL ERHOEHTE GRUPPEN
48	8377044034R	KIT COPRICALDAIA ER/4 DISPLAY INOX/LUC	ASSEMBLY S.STEEL BOILER COVER ER/4	ENSEMBLE COUVRE-CHAUDIERE INOX ER/4	KESSELDECKEL ER/4 DISPLAY STAHL
49	8377044054R	KIT COPRICALDAIA ER/4 DISPLAY INOX/LUC GRU	ASSEMBLY S.STEEL BOILER COVER ER/4	ENSEMBLE COUVRE-CHAUDIERE AFFICHEUR	KESSELDECKEL ER/4 DISPLAY STAHL ERHOE
50	83700006R	KIT FRONTONE AEP/4 CELESTE	ASSEMBLY FRONT PANEL AEP/4 BLUE	ENSEMBLE PANNEAU FRONTAL AEP/4 BLEU	STIRNTAFEL AEP/4 BLAU GRUPPE
50	83700110R	KIT FRONTONE AEP/1 CELESTE SENZA PULS.	ASSEMBLY FRONT PANEL AEP/1 BLUE WITHOUT	ENSEMBLE PANNEAU FRONTAL AEP/1 BLEU SANS	STIRNTAFEL AEP/1 BLAU GRUPPE OHNE TASTA
50	83700111R	KIT FRONTONE AEP/2 CELESTE SENZA PULS.	ASSEMBLY FRONT PANEL AEP/2 BLUE WITHOUT	ENSEMBLE PANNEAU FRONTAL AEP/2 BLEU SANS	STIRNTAFEL AEP/2 BLAU GRUPPE OHNE TASTA
50	83700112R	KIT FRONTONE AEP/3 CELESTE SENZA PULS.	ASSEMBLY FRONT PANEL AEP/3 BLUE WITHOUT	ENSEMBLE PANNEAU FRONTAL AEP/3 BLEU SANS	STIRNTAFEL AEP/3 BLAU GRUPPE OHNE TASTA
51	83700007R	KIT FRONTONE SAE/4 CELESTE SENZA PULS.	ASSEMBLY FRONT PANEL SAE/4 BLUE	ENSEMBLE PANNEAU FRONTAL SAE/4 BLEU	STIRNTAFEL SAE/4 BLAU GRUPPE OHNE
51	83700114R	KIT FRONTONE SAE/1 CELESTE SENZA PULS.	ASSEMBLY FRONT PANEL SAE/1 BLUE WITHOUT	ENSEMBLE PANNEAU FRONTAL SAE/1 BLEU SANS	STIRNTAFEL SAE/1 BLAU GRUPPE OHNE TASTA
51	83700115R	KIT FRONTONE SAE/2 CELESTE SENZA PULS.	ASSEMBLY FRONT PANEL SAE/2 BLUE WITHOUT	ENSEMBLE PANNEAU FRONTAL SAE/2 BLEU SANS	STIRNTAFEL SAE/2 BLAU GRUPPE OHNE TASTA
51	83700116R	KIT FRONTONE SAE/3 CELESTE SENZA PULS.	ASSEMBLY FRONT PANEL SAE/3 BLUE WITHOUT	ENSEMBLE PANNEAU FRONTAL SAE/3 BLEU SANS	STIRNTAFEL SAE/3 BLAU GRUPPE OHNE TASTA
52	15278056	MANOPOLA COMPLETA RUBINETTO A LEVA	FULL KNOB LEVER	BOUTON COMPLET ROBINET A LEVIER	VOLLKNOPF EINHEBEL MISCHER
53	8315029050R	KIT MANOPOLA	KNOB	POIGNEE	HAHGRIFF
54	15029051	TAPPO MANOPOLA	CAP KNOB	BOUCHON POIGNEE	DECKEL HANDGRIFF
55	15259006	MANOPOLA RUBINETTO A LEVA	KNOB	POIGNEE	HANDGRIFF
56	29089361	TARGHETTA ADESIVA GLORIA	ADHESIVE LABEL GLORIA	ETIQUETTE ADHESIVE GLORIA	KLEBEETIKETTE GLORIA
57	29089385	TARGHETTA ADESIVA ASTORIA	ADHESIVE LABEL ASTORIA	ETIQUETTE ADHESIVE ASTORIA	KLEBEETIKETTE ASTORIA



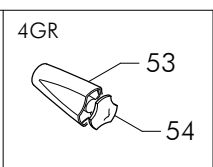
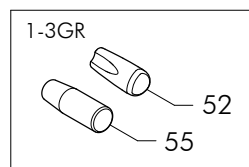
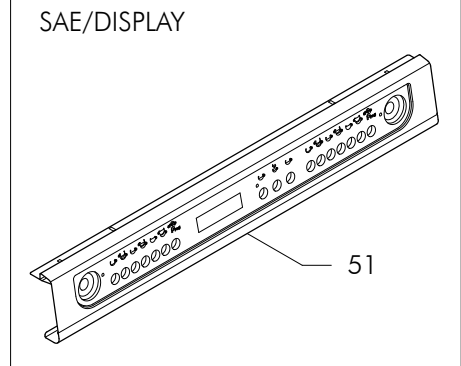
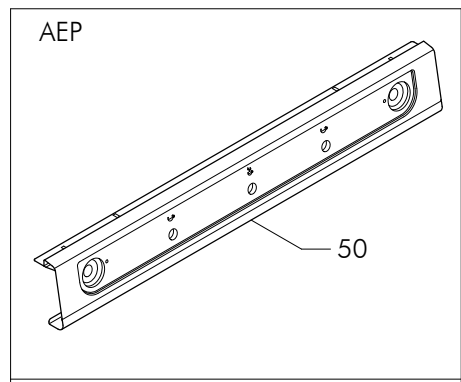
1-3GR	
CON LED	42 43 DISPLAY
WITH LED	
SENZA LED	44 45 DISPLAY
WITHOUT LED	
4GR	
46	48 DISPLAY
47(*)	49 DISPLAY (*)

38	1GR
39+40	2GR
39+41+40	3GR
39+41+41+40	4GR

GAS	30
STANDARD	31
AUTOSTEAMER	32

33	DISPLAY
34	AEP/SAE

35	DISPLAY
36	AEP/SAE



(*) GRUPPI RIALZATI / RAISED GROUPS
GROUPES REHAUSSÉS / ERHOEHTE GRUPPEN

NERO/CROMO - BLACK/CHROME - NOIR/CHROME - SCHWARZ/CHROMIERT

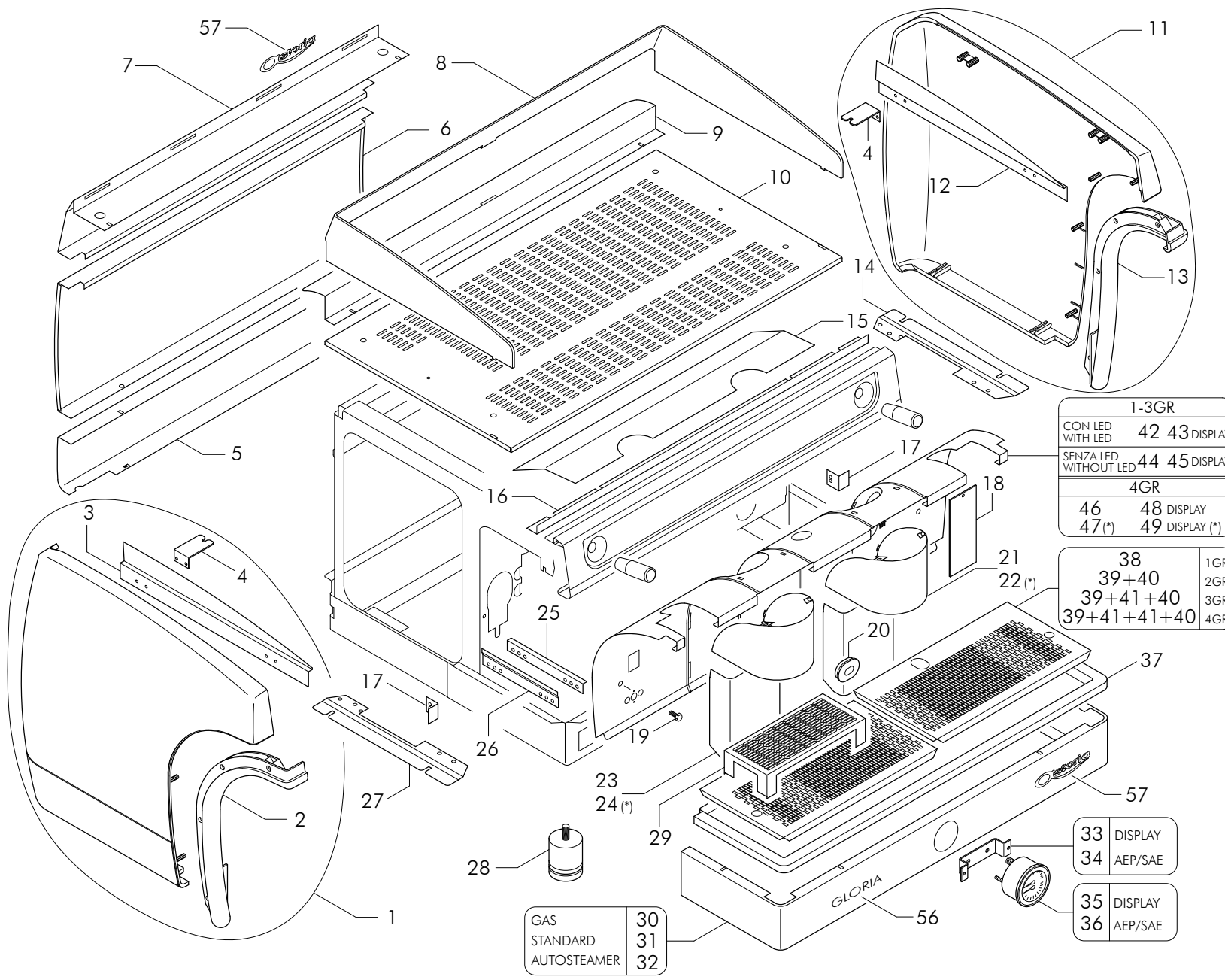
Pos	Code	Denominazione - IT -	Denomination - EN -	Denomination - FR -	Denomination - DE -
1	56910105	FIANCO ASSIEMATO SINISTRO NERO	ASSEMBLY LEFT SIDE PANEL BLACK	ASSEMBLE COTE GAUCHE NOIR	LINKE SEITE SCHWARZ
2	77498501	PROFILO FIANCO SINISTRO CROMO	LEFT SIDE STRIP CHROME	PROFILS POUR COTE GAUCHE CHROME	PROFIL FUR LINKE SEITE
3	77607052	PROFILO INTERNO SINISTRO FIANCO	INTERNAL STRIP LEFT	PROFIL INT. GAUCHE	PROFIL INNEN LINKE
4	78167010	STAFFA SUP.DX-SX SUPPORTO FIANCO	RH-LH PANEL SUPPORT	SUPPORT DR-GA COTE	RECHTS/LINKS HALTER
5	75288036	PANNELLO INF.1GR GLORIA NERO RAL9005+BRILL	LOWER PANEL 1GR BLACK	PANNEAU INF. 1GR NOIR	UNTERTAFEL 1GR SCHWARZ
5	75288040	PANNELLO INF.2GR GLORIA NERO RAL9005+BRILL	LOWER PANEL 2GR BLACK	PANNEAU INF. 2GR NOIR	UNTERTAFEL 2GR SCHWARZ
5	75288044	PANNELLO INF.3GR GLORIA NERO RAL9005+BRILL	LOWER PANEL 3GR BLACK	PANNEAU INF. 3GR NOIR	UNTERTAFEL 3GR SCHWARZ
5	75288048	PANNELLO INF.4GR GLORIA NERO RAL9005+BRILL	LOWER PANEL 4GR BLACK	PANNEAU INF. 4GR NOIR	UNTERTAFEL 4GR SCHWARZ
6	75288037	PANNELLO CENT.1GR GLORIA NERO RAL9005+BRIL	CENTRAL PANEL 1GR BLACK	PANNEAU CENTRAL 1GR NOIR	ZENTRALTAFEL 1GR SCHWARZ
6	75288041	PANNELLO CENT.2GR GLORIA NERO RAL9005+BRIL	CENTRAL PANEL 2GR BLACK	PANNEAU CENTRAL 2GR NOIR	ZENTRALTAFEL 2GR SCHWARZ
6	75288045	PANNELLO CENT.3GR GLORIA NERO RAL9005+BRIL	CENTRAL PANEL 3GR BLACK	PANNEAU CENTRAL 3GR NOIR	ZENTRALTAFEL 3GR SCHWARZ
6	75288049	PANNELLO CENT.4GR GLORIA NERO RAL9005+BRIL	CENTRAL PANEL 4GR BLACK	PANNEAU CENTRAL 4GR NOIR	ZENTRALTAFEL 4GR SCHWARZ
7	75288038	PANNELLO SUP.1GR GLORIA NERO RAL9005+BRILL	TOP PANEL 1GR BLACK	PANNEAU SUPERIEURE 1GR NOIR	OBERTAFEL 1GR SCHWARZ
7	75288042	PANNELLO SUP.2GR GLORIA NERO RAL9005+BRILL	TOP PANEL 2GR BLACK	PANNEAU SUPERIEURE 2GR NOIR	OBERTAFEL 2GR SCHWARZ
7	75288046	PANNELLO SUP.3GR GLORIA NERO RAL9005+BRILL	TOP PANEL 3GR BLACK	PANNEAU SUPERIEURE 3GR NOIR	OBERTAFEL 3GR SCHWARZ
7	75288050	PANNELLO SUP.4GR GLORIA NERO RAL9005+BRILL	TOP PANEL 4GR BLACK	PANNEAU SUPERIEURE 4GR NOIR	OBERTAFEL 4GR SCHWARZ
8	21162147	PLEXIGLASS 1GR	PLEXIGLASS 1GR	PLEXIGLASS 1GR	PLEXIGLASS 1GR
8	21162148	PLEXIGLASS 2GR	PLEXIGLASS 2GR	PLEXIGLASS 2GR	PLEXIGLASS 2GR
8	21162149	PLEXIGLASS 3GR	PLEXIGLASS 3GR	PLEXIGLASS 3GR	PLEXIGLASS 3GR
8	21162150	PLEXIGLASS 4GR	PLEXIGLASS 4GR	PLEXIGLASS 4GR	PLEXIGLASS 4GR
9	75288007	PROFILO SUP.FERMA PLEXIGLASS 1GR INOX	PLEXIGLASS SUPPORT 1GR S.STEEL	SUPPORT PLEXIGLASS 1GR INOX	PLEXIGLASSHALTER 1GR STAHL
9	75288011	PROFILO SUP.FERMA PLEXIGLASS 2GR INOX	PLEXIGLASS SUPPORT 2GR S.STEEL	SUPPORT PLEXIGLASS 2GR INOX	PLEXIGLASSHALTER 2GR STAHL
9	75288015	PROFILO SUP.FERMA PLEXIGLASS 3GR INOX	PLEXIGLASS SUPPORT 3GR S.STEEL	SUPPORT PLEXIGLASS 3GR INOX	PLEXIGLASSHALTER 3GR STAHL
9	75288019	PROFILO SUP.FERMA PLEXIGLASS 4GR INOX	PLEXIGLASS SUPPORT 4GR S.STEEL	SUPPORT PLEXIGLASS 4GR INOX	PLEXIGLASSHALTER 4GR STAHL
10	76100101	GRIGLIA SUPERIORE ER/1 INOX	TOP GRATE ER/1 S.STEEL	GRILLE SUP. ER/1 INOX	OBERGITTER ER/1 STAHL
10	76100102	GRIGLIA SUPERIORE ER/2 INOX	TOP GRATE ER/2 S.STEEL	GRILLE SUP. ER/2 INOX	OBERGITTER ER/2 STAHL
10	76100103	GRIGLIA SUPERIORE ER/3 INOX	TOP GRATE ER/3 S.STEEL	GRILLE SUP. ER/3 INOX	OBERGITTER ER/3 STAHL
10	76100104	GRIGLIA SUPERIORE ER/4 INOX	TOP GRATE ER/4 S.STEEL	GRILLE SUP. ER/4 INOX	OBERGITTER ER/4 STAHL
11	56910104	FIANCO ASSIEMATO DESTRO NERO	ASSEMBLY RIGHT SIDE PANEL BLACK	ASSEMBLE COTE DROITE NOIR	RECHTE SEITE SCHWARZ
12	77607051	PROFILO INTERNO DESTRO FIANCO	INTERNAL STRIP RIGHT	PROFIL INT. COTE DROIT	PROFIL INNEN RECHTE
13	77498500	PROFILO FIANCO DESTRO CROMO	RIGHT SIDE STRIP CHROME	PROFILS POUR COTE DROIT CHROME	PROFIL FUR RECHTE SEITE CHROME
14	77607049	STAFFA INF.DESTRA FIANCO	LOWER SIDE BRACKET	ETRIER INFERIEUR COTE	SEITE BUGEL UNTER
15	77691960	PROTEZIONE PULSANTIERA AEP-SAE/1 INOX/L	PUSH BUTTON PANEL GUARD AEP-SAE/1	PROTECTION CLAVIERS AEP-SAE/1	SCHUTZ BEDIENBLLENDE AEP-SAE/1
15	77691961	PROTEZIONE PULSANTIERA AEP-SAE/2 INOX/L	PUSH BUTTON PANEL GUARD AEP-SAE/2	PROTECTION CLAVIERS AEP-SAE/2	SCHUTZ BEDIENBLLENDE AEP-SAE/2
15	77691962	PROTEZIONE PULSANTIERA AEP-SAE/3 INOX/L	PUSH BUTTON PANEL GUARD AEP-SAE/3	PROTECTION CLAVIERS AEP-SAE/3	SCHUTZ BEDIENBLLENDE AEP-SAE/3
15	77691963	PROTEZIONE PULSANTIERA AEP-SAE/4 INOX/L	PUSH BUTTON PANEL GUARD AEP-SAE/4	PROTECTION CLAVIERS AEP-SAE/4	SCHUTZ BEDIENBLLENDE AEP-SAE/4

NERO/CROMO - BLACK/CHROME - NOIR/CHROME - SCHWARZ/CHROMIERT

Pos	Code	Denominazione - IT -	Denomination - EN -	Denomination - FR -	Denomination - DE -
16	77691986	PROTEZIONE ANT.FERMATAZZE 1GR INOX	BLOCK CUP 1GR S.STEEL	FERMETURE TASSE 1GR INOX	BLOCK TASSE 1GR STAHL
16	77691987	PROTEZIONE ANT.FERMATAZZE 2GR INOX	BLOCK CUP 2GR S.STEEL	FERMETURE TASSE 2GR INOX	BLOCK TASSE 2GR STAHL
16	77691988	PROTEZIONE ANT.FERMATAZZE 3GR INOX	BLOCK CUP 3GR S.STEEL	FERMETURE TASSE 3GR INOX	BLOCK TASSE 3GR STAHL
16	77691989	PROTEZIONE ANT.FERMATAZZE 4GR INOX	BLOCK CUP 4GR S.STEEL	FERMETURE TASSE 4GR INOX	BLOCK TASSE 4GR STAHL
17	77607048	PROF.COPRIFORO INF.DESTRO-SINISTRO FIANCO	RIGHT-LEFT PROFILE SIDE	PROFIL DROIT-GAUCHE COTE	RECHT-LINKE PROFIL
18	21203	PLEXIGLASS SEGNALIVELLO	COLOURLESS LEVEL INDICATOR 0	SIGNAL NIVEAU	FARBLOSER NIVEAUANZEIGER
19	23420001	VITE TE BOMBATA M6x12	SCREW M6x12	VIS M6x12	SCHRAUBE M6x12
20	15373070	TAPPO ABS CROMATO FORO GAS	CHROMED CAP	BOUCHON CHROME COUVRE-TROU DU GAZ	CHROM CAP
21	8377691969R	KIT PROTEZIONE SUPERIORE GRUPPO	ASSEMBLY TOP PROTECTION GROUP	ENSEMBLE PROTECTION SUPERIEURE GROUPE	OBER GRUPPEN SCHUTZ
22	8377691984R	KIT PROTEZIONE SUPERIORE GRUPPO RIALZATO	ASSEMBLY TOP PROTECTION RAISED GROUP	ENSEMBLE PROTECTION SUPERIEURE GROUPES	OBER ERHOEHTE GRUPPEN SCHUTZ
23	77691968	PROTEZIONE INFERIORE GRUPPO	LOWER PROTECTION GROUP	PROTECTION INFER. GROUPE	UNTER GRUPPEN SCHUTZ
24	77691983	PROTEZIONE INF.GRUPPO RIALZATO GLORIA	LOWER PROTECTION RAISED GROUPS	PROTECTION INFER. GROUPES REHAUSSES	UNTER ERHOEHTE GRUPPEN SCHUTZ
25	77741	GUIDA DESTRA-SINISTRA BACINELLA	R-L BASIN GUIDE FOR FRAMES	GUIDE DX-SX CUVE x CHASSIS	FUHRUNG RECHTS-LINKS SCHALE FUR RAH
26	77742005	DISTANZIALE GUIDA BACINELLA	SPACER GLOSSY	ENTRETOISE CUVE	DISTANZSTUCK
27	77607050	STAFFA INF.SINISTRO FIANCO	LOWER SIDE BRACKET	ETRIER INFERIEUR COTE	SEITE BUGEL UNTER
28	15318001	PIEDINO REGOLABILE INOX/SAT H55/69	ADJUSTABLE FOOT H55/69 INT.THREAD+SCREW	PIED REGLABLE H55/69	REGELBARER FUSS H55/69
29	76149054	GRIGLIA RIALZO TAZZE 1/2GR	CUPS-STAND FOR RAISED GROUP 1/2GR	GRILLE SUPERIEURE 1/2GR	GITTER FUER HOHE GRUPPE 1/2GR
29	76149065	GRIGLIA RIALZO TAZZE 3/4GR	CUPS-STAND FOR RAISED GROUP 3/4GR	GRILLE SUPERIEURE 3/4GR	GITTER FUER HOHE GRUPPE 3/4GR
30	77487105	PROFILO BASAMENTO ANT.1GR INOX/LUC GAS	BASE SURROUND 1GR S.STEEL GAS	PROFILS BASE 1GR INOX GAZ	GRUNDPROFIL 1GR STAHL GAS
30	77487106	PROFILO BASAMENTO ANT.2GR INOX/LUC GAS	BASE SURROUND 2GR S.STEEL GAS	PROFILS BASE 2GR INOX GAZ	GRUNDPROFIL 2GR STAHL GAS
30	77487107	PROFILO BASAMENTO ANT.3GR INOX/LUC GAS	BASE SURROUND 3GR S.STEEL GAS	PROFILS BASE 3GR INOX GAZ	GRUNDPROFIL 3GR STAHL GAS
30	77487108	PROFILO BASAMENTO ANT.4GR INOX/LUC GAS	BASE SURROUND 4GR S.STEEL GAS	PROFILS BASE 4GR INOX GAZ	GRUNDPROFIL 4GR STAHL GAS
31	77487101	PROFILO BASAMENTO ANT.1GR INOX/LUC	BASE SURROUND 1GR S.STEEL	PROFILS BASE 1GR INOX	GRUNDPROFIL 1GR STAHL
31	77487102	PROFILO BASAMENTO ANT.2GR INOX/LUC	BASE SURROUND 2GR S.STEEL	PROFILS BASE 2GR INOX	GRUNDPROFIL 2GR STAHL
31	77487103	PROFILO BASAMENTO ANT.3GR INOX/LUC	BASE SURROUND 3GR S.STEEL	PROFILS BASE 3GR INOX	GRUNDPROFIL 3GR STAHL
31	77487104	PROFILO BASAMENTO ANT.4GR INOX/LUC	BASE SURROUND 4GR S.STEEL	PROFILS BASE 4GR INOX	GRUNDPROFIL 4GR STAHL
32	83770032R	KIT BASAMENTO 2GR AUTOSTEAMER	ASSEMBLY BASE SURROUND 2GR AUTOSTEAMER	ENSEMBLE PROFIL BASE 2GR AUTOSTEAMER	GRUNDPROFIL 2GR AUTOMATISCHE DAMPF
32	83770033R	KIT BASAMENTO 3GR AUTOSTEAMER	ASSEMBLY BASE SURROUND 3GR AUTOSTEAMER	ENSEMBLE PROFIL BASE 3GR AUTOSTEAMER	GRUNDPROFIL 3GR AUTOMATISCHE DAMPF
33	78150055	SUPPORTO MANOMETRO	GAUGE SUPPORT	SUPPORT MANOMETRE	MANOMETERHALTER
34	78150054	SUPPORTO MANOMETRO	GAUGE SUPPORT	SUPPORT MANOMETRE	MANOMETERHALTER
35	4621114	MANOMETRO TONDO	ROUND PRESSURE GAUGE	MANOMETRE ROND	MANOMETER
36	4621112	MANOMETRO TONDO DOPPIA SCALA	ROUND PRESSURE GAUGE	MANOMETRE ROND	MANOMETER
37	76095	BACINELLA 1GR INOX LUCIDO	1GR GLOSSY STAINLESS STEEL TRAY	BASSINELLE 1GR INOX BRILLANT	STAHLSCHALE 1GR
37	76096	BACINELLA 2GR INOX LUCIDO	2GR GLOSSY STAINLESS STEEL TRAY	BASSINELLE 2GR INOX BRILLANT	STAHLSCHALE 2GR
37	76097	BACINELLA 3GR INOX LUCIDO	3GR GLOSSY STAINLESS STEEL TRAY	BASSINELLE 3GR INOX BRILLANT	STAHLSCHALE 3GR
37	76098	BACINELLA 4GR INOX LUCIDO	4GR GLOSSY STAINLESS STEEL TRAY	BASSINELLE 4GR INOX BRILLANT	STAHLSCHALE 4GR

NERO/CROMO - BLACK/CHROME - NOIR/CHROME - SCHWARZ/CHROMIERT

Pos	Code	Denominazione - IT -	Denomination - EN -	Denomination - FR -	Denomination - DE -
38	76153000	GRIGLIA INFERIORE INOX LUC.456x201	LOWER GRILL 456x201 SHINY S.STEEL	GRILLE INF.INOX 456x201	STAHL-UNTERGITTER 456x201
39	76154000	GRIGLIA INF.DESTRA INOX LUC.338.5x201	RIGHT LOWER GRILL -SHINY S.STEEL	GRILLE INF.DROIT INOX 338,5x201	STAHL-UNTER-RECHTEGITTER 338,5x201
40	76155000	GRIGLIA INF.SINISTRA INOX LUC.338.5x201	LEFT LOWER GRILL - SHINY S.STEEL	GRILLE INF.GAUCHE INOX 338,5x201	STAHL-UNTER-LINKEGITTER 338,5x201
41	76156000	GRIGLIA INFERIORE INOX LUC.	LOWER GRILL - SHINY S.STEEL	GRILLE INF.INOX	STAHL-UNTERGITTER
42	8377043974R	KIT COPRICALDAIA 1GR INOX/LUC LED CTS	ASSEMBLY S.STEEL BOILER COVER 1GR LED	ENSEMBLE COUVRE-CHAUDIERE INOX 1GR LED	KESSELDECKEL 1GR LED STAHL CTS
42	8377043975R	KIT COPRICALDAIA 2GR INOX/LUC LED CTS	ASSEMBLY S.STEEL BOILER COVER 2GR LED	ENSEMBLE COUVRE-CHAUDIERE INOX 2GR LED	KESSELDECKEL 2GR LED STAHL CTS
42	8377043976R	KIT COPRICALDAIA 3GR INOX/LUC LED CTS	ASSEMBLY S.STEEL BOILER COVER 3GR LED	ENSEMBLE COUVRE-CHAUDIERE INOX 3GR LED	KESSELDECKEL 3GR LED STAHL CTS
43	8377043978R	KIT COPRICALDAIA 1GR INOX/LUC LED CTS DISP	ASSEMBLY S.STEEL BOILER COVER 1GR LED	ENSEMBLE COUVRE-CHAUDIERE INOX 1GR LED	KESSELDECKEL 1GR LED STAHL CTS DISPLAY
43	8377043979R	KIT COPRICALDAIA 2GR INOX/LUC LED CTS DISP	ASSEMBLY S.STEEL BOILER COVER 2GR LED	ENSEMBLE COUVRE-CHAUDIERE INOX 2GR LED	KESSELDECKEL 2GR LED STAHL CTS DISPLAY
43	8377043980R	KIT COPRICALDAIA 3GR INOX/LUC LED CTS DISP	ASSEMBLY S.STEEL BOILER COVER 3GR LED	ENSEMBLE COUVRE-CHAUDIERE INOX 3GR LED	KESSELDECKEL 3GR LED STAHL CTS DISPLAY
44	8377043986R	KIT COPRICALDAIA 1GR INOX/LUC CTS	ASSEMBLY S.STEEL BOILER COVER 1GR CTS	ENSEMBLE COUVRE-CHAUDIERE INOX 1GR CTS	KESSELDECKEL 1GR STAHL CTS
44	8377043987R	KIT COPRICALDAIA 2GR INOX/LUC CTS	ASSEMBLY S.STEEL BOILER COVER 2GR CTS	ENSEMBLE COUVRE-CHAUDIERE INOX 2GR CTS	KESSELDECKEL 2GR STAHL CTS
44	8377043988R	KIT COPRICALDAIA 3GR INOX/LUC CTS	ASSEMBLY S.STEEL BOILER COVER 3GR CTS	ENSEMBLE COUVRE-CHAUDIERE INOX 3GR CTS	KESSELDECKEL 3GR STAHL CTS
45	8377043990R	KIT COPRICALDAIA 1GR INOX/LUC CTS DISPLAY	ASSEMBLY S.STEEL BOILER COVER 1GR CTS	ENSEMBLE COUVRE-CHAUDIERE INOX 1GR CTS	KESSELDECKEL 1GR STAHL CTS DISPLAY
45	8377043991R	KIT COPRICALDAIA 2GR INOX/LUC CTS DISPLAY	ASSEMBLY S.STEEL BOILER COVER 2GR CTS	ENSEMBLE COUVRE-CHAUDIERE INOX 2GR CTS	KESSELDECKEL 2GR STAHL CTS DISPLAY
45	8377043992R	KIT COPRICALDAIA 3GR INOX/LUC CTS DISPLAY	ASSEMBLY S.STEEL BOILER COVER 3GR CTS	ENSEMBLE COUVRE-CHAUDIERE INOX 3GR CTS	KESSELDECKEL 3GR STAHL CTS DISPLAY
46	8377044024R	KIT COPRICALDAIA ER/4 INOX/LUC	ASSEMBLY S.STEEL BOILER COVER ER/4	ENSEMBLE COUVRE-CHAUDIERE INOX ER/4	KESSELDECKEL ER/4 STAHL
47	8377044053R	KIT COPRICALDAIA ER/4 INOX/LUC GR.RI.	ASSEMBLY S.STEEL BOILER COVER ER/4	ENSEMBLE COUVRE-CHAUDIERE INOX ER/4	KESSELDECKEL ER/4 STAHL ERHOEHTE GRUPPEN
48	8377044034R	KIT COPRICALDAIA ER/4 DISPLAY INOX/LUC	ASSEMBLY S.STEEL BOILER COVER ER/4	ENSEMBLE COUVRE-CHAUDIERE INOX ER/4	KESSELDECKEL ER/4 DISPLAY STAHL
49	8377044054R	KIT COPRICALDAIA ER/4 DISPLAY INOX/LUC GRU	ASSEMBLY S.STEEL BOILER COVER ER/4	ENSEMBLE COUVRE-CHAUDIERE AFFICHEUR	KESSELDECKEL ER/4 DISPLAY STAHL
50	83700030R	KIT FRONTONE AEP/4 NERO	ASSEMBLY FRONT PANEL AEP/4 BLACK	ENSEMBLE PANNEAU FRONTAL AEP/4 NOIR	STIRNTAFEL AEP/4 SCHWARZ GRUPPE
50	83700118R	KIT FRONTONE AEP/1 NERO SENZA PULS.	ASSEMBLY FRONT PANEL AEP/1 BLACK	ENSEMBLE PANNEAU FRONTAL AEP/1 NOIR	STIRNTAFEL AEP/1 SCHWARZ GRUPPE OHNE
50	83700119R	KIT FRONTONE AEP/2 NERO SENZA PULS.	ASSEMBLY FRONT PANEL AEP/2 BLACK	ENSEMBLE PANNEAU FRONTAL AEP/2 NOIR	STIRNTAFEL AEP/2 SCHWARZ GRUPPE OHNE
50	83700120R	KIT FRONTONE AEP/3 NERO SENZA PULS.	ASSEMBLY FRONT PANEL AEP/3 BLACK	ENSEMBLE PANNEAU FRONTAL AEP/3 NOIR	STIRNTAFEL AEP/3 SCHWARZ GRUPPE OHNE
51	83700031R	KIT FRONTONE SAE/4 NERO	ASSEMBLY FRONT PANEL SAE/4 BLACK	ENSEMBLE PANNEAU FRONTAL SAE/4 NOIR	STIRNTAFEL SAE/4 SCHWARZ GRUPPE
51	83700122R	KIT FRONTONE SAE/1 NERO SENZA PULS.	ASSEMBLY FRONT PANEL SAE/1 BLACK	ENSEMBLE PANNEAU FRONTAL SAE/1 NOIR	STIRNTAFEL SAE/1 SCHWARZ GRUPPE OHNE
51	83700123R	KIT FRONTONE SAE/2 NERO SENZA PULS.	ASSEMBLY FRONT PANEL SAE/2 BLACK	ENSEMBLE PANNEAU FRONTAL SAE/2 NOIR	STIRNTAFEL SAE/2 SCHWARZ GRUPPE OHNE
51	83700124R	KIT FRONTONE SAE/3 NERO SENZA PULS.	ASSEMBLY FRONT PANEL SAE/3 BLACK	ENSEMBLE PANNEAU FRONTAL SAE/3 NOIR	STIRNTAFEL SAE/3 SCHWARZ GRUPPE OHNE
52	15278056	MANOPOLA COMPLETA RUBINETTO A LEVA	FULL KNOB LEVER	BOUTON COMPLET ROBINET A LEVIER	VOLLKNOPF EINHEBEL MISCHER
53	8315029050R	KIT MANOPOLA	KNOB	POIGNEE	HAHGRIF
54	15029051	TAPPO MANOPOLA	CAP KNOB	BOUCHON POIGNEE	DECKEL HANDGRIF
55	15259006	MANOPOLA RUBINETTO A LEVA	KNOB	POIGNEE	HANDGRIF
56	29089361	TARGHETTA ADESIVA GLORIA	ADHESIVE LABEL GLORIA	ETIQUETTE ADHESIVE GLORIA	KLEBEETIKETTE GLORIA
57	29089385	TARGHETTA ADESIVA ASTORIA	ADHESIVE LABEL ASTORIA	ETIQUETTE ADHESIVE ASTORIA	KLEBEETIKETTE ASTORIA



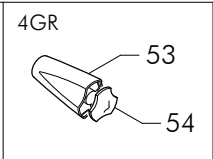
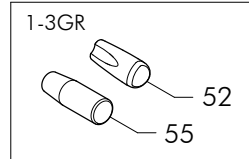
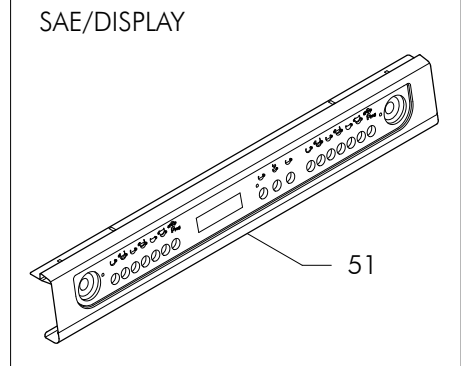
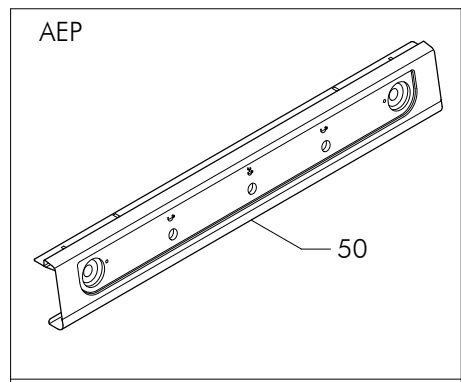
1-3GR	
CON LED WITH LED	42 43 DISPLAY
SENZA LED WITHOUT LED	44 45 DISPLAY
4GR	
46	48 DISPLAY
47(*)	49 DISPLAY (*)

38	1GR
39+40	2GR
39+41+40	3GR
39+41+41+40	4GR

GAS	30
STANDARD	31
AUTOSTEAMER	32

33	DISPLAY
34	AEP/SAE

35	DISPLAY
36	AEP/SAE



(*) GRUPPI RIALZATI / RAISED GROUPS
GROUPES REHAUSSÉS / ERHOEHTE GRUPPEN

GRIGIO - GRAY - GRIS - GRAU

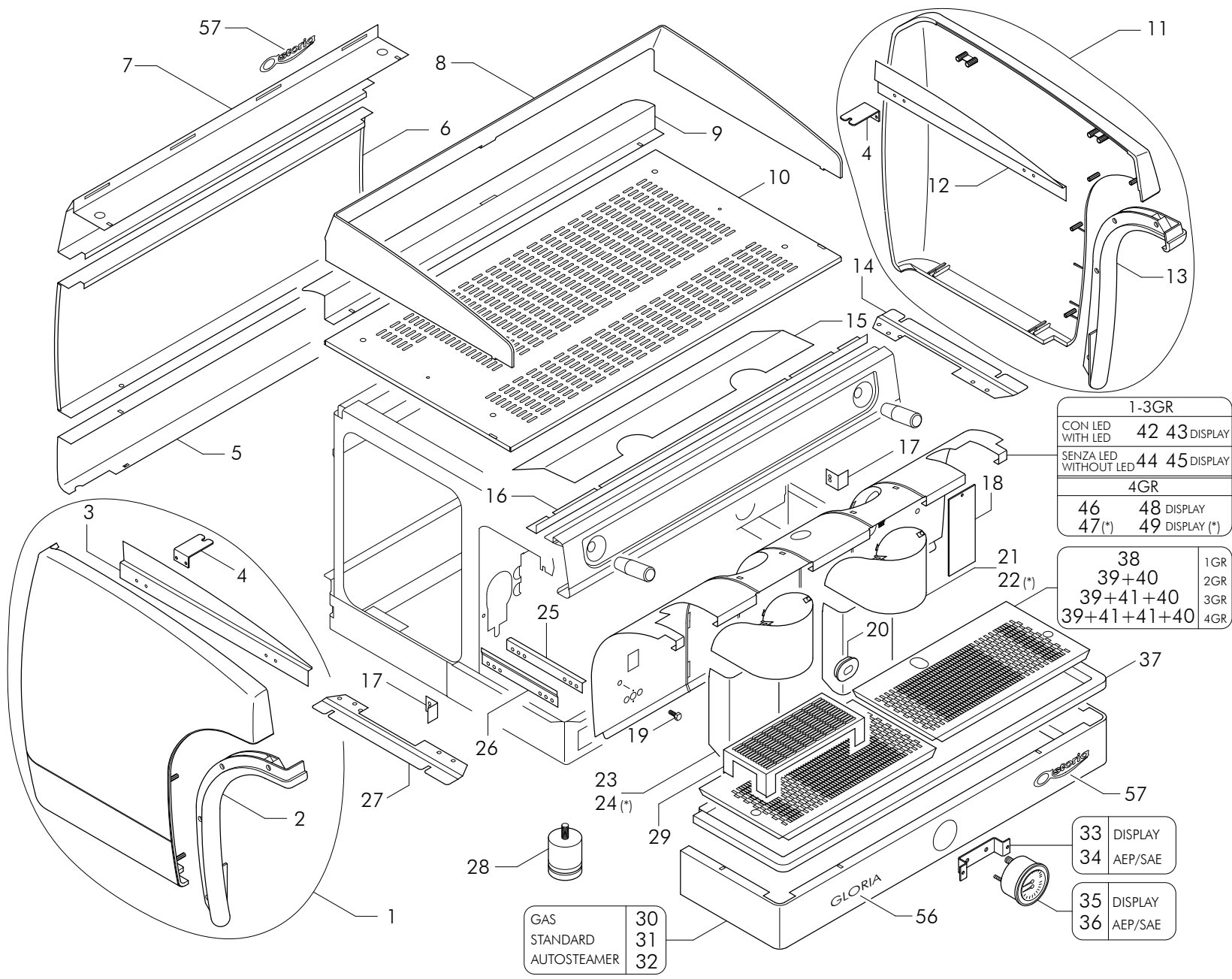
Pos	Code	Denominazione - IT -	Denomination - EN -	Denomination - FR -	Denomination - DE -
1	56910111	FIANCO ASSIEMATO SINISTRO GRIGIO	LEFT SIDE PANEL GREY COLOUR	ASSEMBLE COTE GAUCHE GRIS	RECHTE SEITE GRAU
2	77498501	PROFILO FIANCO SINISTRO CROMO	LEFT SIDE STRIP CHROME	PROFILS POUR COTE GAUCHE CHROME	PROFIL FUR LINKE SEITE
3	77607052	PROFILO INTERNO SINISTRO FIANCO	INTERNAL STRIP LEFT	PROFIL INT. GAUCHE	PROFIL INNEN LINKE
4	78167010	STAFFA SUP.DX-SX SUPPORTO FIANCO	RH-LH PANEL SUPPORT	SUPPORT DR-GA COTE	RECHTS/LINKS HALTER
5	75288078	PANNELLO INF.1GR GRIGIO	LOWER PANEL 1GR GRAY G332	PANNEAU INF. 1GR GRIS G332	UNTERTAFEL 1GR GRAU G332
5	75288081	PANNELLO INF.2GR GRIGIO	LOWER PANEL 2GR GRAY	PANNEAU INF. 2GR GRIS	UNTERTAFEL 2GR GRAU
5	75288084	PANNELLO INF.3GR GRIGIO	LOWER PANEL 3GR GRAY	PANNEAU INF. 3GR GRIS	UNTERTAFEL 3GR GRAU
5	75288087	PANNELLO INF.4GR GRIGIO	LOWER PANEL 4GR GRAY G332	PANNEAU INF. 4GR GRIS G332	UNTERTAFEL 4GR GRAU G332
6	75288079	PANNELLO CENT.1GR GRIGIO	CENTRAL PANEL 1GR GRAY G332	PANNEAU CENTRAL 1GR GRIS G332	ZENTRALTAFEL 1GR GRAU G332
6	75288082	PANNELLO CENT.2GR GRIGIO	CENTRAL PANEL 2GR GRAY	PANNEAU CENTRAL 2GR GRIS	ZENTRALTAFEL 2GR GRAU
6	75288085	PANNELLO CENT.3GR GRIGIO	CENTRAL PANEL 3GR GRAY	PANNEAU CENTRAL 3GR GRIS	ZENTRALTAFEL 3GR GRAU
6	75288088	PANNELLO CENT.4GR GRIGIO	CENTRAL PANEL 4GR GRAY G332	PANNEAU CENTRAL 4GR GRIS G332	ZENTRALTAFEL 4GR GRAU G332
7	75288080	PANNELLO SUP.1GR GRIGIO	TOP PANEL 1GR GRAY G332	PANNEAU SUPERIEURE 1GR GRIS G332	OBERTAFEL 1GR GRAU G332
7	75288083	PANNELLO SUP.2GR GRIGIO	TOP PANEL 2GR GRAY	PANNEAU SUPERIEURE 2GR GRIS	OBERTAFEL 2GR GRAU
7	75288086	PANNELLO SUP.3GR GRIGIO	TOP PANEL 3GR GRAY	PANNEAU SUPERIEURE 3GR GRAU	OBERTAFEL 3GR GRAU
7	75288089	PANNELLO SUP.4GR GRIGIO	TOP PANEL 4GR GRAY G332	PANNEAU SUPERIEURE 4GR GRIS G332	OBERTAFEL 4GR GRAU G332
8	21162147	PLEXIGLASS 1GR	PLEXIGLASS 1GR	PLEXIGLASS 1GR	PLEXIGLASS 1GR
8	21162148	PLEXIGLASS 2GR	PLEXIGLASS 2GR	PLEXIGLASS 2GR	PLEXIGLASS 2GR
8	21162149	PLEXIGLASS 3GR	PLEXIGLASS 3GR	PLEXIGLASS 3GR	PLEXIGLASS 3GR
8	21162150	PLEXIGLASS 4GR	PLEXIGLASS 4GR	PLEXIGLASS 4GR	PLEXIGLASS 4GR
9	75288007	PROFILO SUP.FERMA PLEXIGLASS 1GR INOX	PLEXIGLASS SUPPORT 1GR S.STEEL	SUPPORT PLEXIGLASS 1GR INOX	PLEXIGLASSHALTER 1GR STAHL
9	75288011	PROFILO SUP.FERMA PLEXIGLASS 2GR INOX	PLEXIGLASS SUPPORT 2GR S.STEEL	SUPPORT PLEXIGLASS 2GR INOX	PLEXIGLASSHALTER 2GR STAHL
9	75288015	PROFILO SUP.FERMA PLEXIGLASS 3GR INOX	PLEXIGLASS SUPPORT 3GR S.STEEL	SUPPORT PLEXIGLASS 3GR INOX	PLEXIGLASSHALTER 3GR STAHL
9	75288019	PROFILO SUP.FERMA PLEXIGLASS 4GR INOX	PLEXIGLASS SUPPORT 4GR S.STEEL	SUPPORT PLEXIGLASS 4GR INOX	PLEXIGLASSHALTER 4GR STAHL
10	76100101	GRIGLIA SUPERIORE ER/1 INOX	TOP GRATE ER/1 S.STEEL	GRILLE SUP. ER/1 INOX	OBERGITTER ER/1 STAHL
10	76100102	GRIGLIA SUPERIORE ER/2 INOX	TOP GRATE ER/2 S.STEEL	GRILLE SUP. ER/2 INOX	OBERGITTER ER/2 STAHL
10	76100103	GRIGLIA SUPERIORE ER/3 INOX	TOP GRATE ER/3 S.STEEL	GRILLE SUP. ER/3 INOX	OBERGITTER ER/3 STAHL
10	76100104	GRIGLIA SUPERIORE ER/4 INOX	TOP GRATE ER/4 S.STEEL	GRILLE SUP. ER/4 INOX	OBERGITTER ER/4 STAHL
11	56910110	FIANCO ASSIEMATO DESTRO GRIGIO	RIGHT SIDE PANEL GREY COLOUR	ASSEMBLE COTE DROIT GRIS	LINKE SEITE GRAU
12	77607051	PROFILO INTERNO DESTRO FIANCO	INTERNAL STRIP RIGHT	PROFIL INT. COTE DROIT	PROFIL INNEN RECHTE
13	77498500	PROFILO FIANCO DESTRO CROMO	RIGHT SIDE STRIP CHROME	PROFILS POUR COTE DROIT CHROME	PROFIL FUR RECHTE SEITE CHROME
14	77607049	STAFFA INF.DESTRA FIANCO	LOWER SIDE BRACKET	ETRIER INFERIEUR COTE	SEITE BUGEL UNTER
15	77691960	PROTEZIONE PULSANTIERA AEP-SAE/1 INOX/L	PUSH BUTTON PANEL GUARD AEP-SAE/1	PROTECTION CLAVIERS AEP-SAE/1	SCHUTZ BEDIENBLLENDE AEP-SAE/1
15	77691961	PROTEZIONE PULSANTIERA AEP-SAE/2 INOX/L	PUSH BUTTON PANEL GUARD AEP-SAE/2	PROTECTION CLAVIERS AEP-SAE/2	SCHUTZ BEDIENBLLENDE AEP-SAE/2
15	77691962	PROTEZIONE PULSANTIERA AEP-SAE/3 INOX/L	PUSH BUTTON PANEL GUARD AEP-SAE/3	PROTECTION CLAVIERS AEP-SAE/3	SCHUTZ BEDIENBLLENDE AEP-SAE/3
15	77691963	PROTEZIONE PULSANTIERA AEP-SAE/4 INOX/L	PUSH BUTTON PANEL GUARD AEP-SAE/4	PROTECTION CLAVIERS AEP-SAE/4	SCHUTZ BEDIENBLLENDE AEP-SAE/4

GRIGIO - GRAY - GRIS - GRAU

Pos	Code	Denominazione - IT -	Denomination - EN -	Denomination - FR -	Denomination - DE -
16	77691986	PROTEZIONE ANT.FERMATAZZE 1GR INOX	BLOCK CUP 1GR S.STEEL	FERMETURE TASSE 1GR INOX	BLOCK TASSE 1GR STAHL
16	77691987	PROTEZIONE ANT.FERMATAZZE 2GR INOX	BLOCK CUP 2GR S.STEEL	FERMETURE TASSE 2GR INOX	BLOCK TASSE 2GR STAHL
16	77691988	PROTEZIONE ANT.FERMATAZZE 3GR INOX	BLOCK CUP 3GR S.STEEL	FERMETURE TASSE 3GR INOX	BLOCK TASSE 3GR STAHL
16	77691989	PROTEZIONE ANT.FERMATAZZE 4GR INOX	BLOCK CUP 4GR S.STEEL	FERMETURE TASSE 4GR INOX	BLOCK TASSE 4GR STAHL
17	77607048	PROF.COPRIFORO INF.DESTRO-SINISTRO FIANCO	RIGHT-LEFT PROFILE SIDE	PROFIL DROIT-GAUCHE COTE	RECHT-LINKE PROFIL
18	21203	PLEXIGLASS SEGNALIVELLO	COLOURLESS LEVEL INDICATOR 0	SIGNAL NIVEAU	FARBLOSER NIVEAUANZEIGER
19	23420001	VITE TE BOMBATA M6x12	SCREW M6x12	VIS M6x12	SCHRAUBE M6x12
20	15373070	TAPPO ABS CROMATO FORO GAS	CHROMED CAP	BOUCHON CHROME COUVRE-TROU DU GAZ	CHROM CAP
21	8377691969R	KIT PROTEZIONE SUPERIORE GRUPPO	ASSEMBLY TOP PROTECTION GROUP	ENSEMBLE PROTECTION SUPERIEURE GROUPE	OBER GRUPPEN SCHUTZ
22	8377691984R	KIT PROTEZIONE SUPERIORE GRUPPO RIALZATO	ASSEMBLY TOP PROTECTION RAISED GROUP	ENSEMBLE PROTECTION SUPERIEURE GROUPES	OBER ERHOEHTE GRUPPEN SCHUTZ
23	77691968	PROTEZIONE INFERIORE GRUPPO	LOWER PROTECTION GROUP	PROTECTION INFER. GROUPE	UNTER GRUPPEN SCHUTZ
24	77691983	PROTEZIONE INF.GRUPPO RIALZATO GLORIA	LOWER PROTECTION RAISED GROUPS	PROTECTION INFER. GROUPES REHAUSSES	UNTER ERHOEHTE GRUPPEN SCHUTZ
25	77741	GUIDA DESTRA-SINISTRA BACINELLA	R-L BASIN GUIDE FOR FRAMES	GUIDE DX-SX CUVE x CHASSIS	FUHRUNG RECHTS-LINKS SCHALE FUR RAH
26	77742005	DISTANZIALE GUIDA BACINELLA	SPACER GLOSSY	ENTRETOISE CUVE	DISTANZSTUECK
27	77607050	STAFFA INF.SINISTRO FIANCO	LOWER SIDE BRACKET	ETRIER INFERIEUR COTE	SEITE BUGEL UNTER
28	15318001	PIEDINO REGOLABILE INOX/SAT H55/69	ADJUSTABLE FOOT H55/69 INT.THREAD+SCREW	PIED REGLABLE H55/69	REGELBARER FUSS H55/69
29	76149054	GRIGLIA RIALZO TAZZE 1/2GR	CUPS-STAND FOR RAISED GROUP 1/2GR	GRILLE SUPERIEURE 1/2GR	GITTER FUER HOHE GRUPPE 1/2GR
29	76149065	GRIGLIA RIALZO TAZZE 3/4GR	CUPS-STAND FOR RAISED GROUP 3/4GR	GRILLE SUPERIEURE 3/4GR	GITTER FUER HOHE GRUPPE 3/4GR
30	77487105	PROFILO BASAMENTO ANT.1GR INOX/LUC GAS	BASE SURROUND 1GR S.STEEL GAS	PROFILS BASE 1GR INOX GAZ	GRUNDPROFIL 1GR STAHL GAS
30	77487106	PROFILO BASAMENTO ANT.2GR INOX/LUC GAS	BASE SURROUND 2GR S.STEEL GAS	PROFILS BASE 2GR INOX GAZ	GRUNDPROFIL 2GR STAHL GAS
30	77487107	PROFILO BASAMENTO ANT.3GR INOX/LUC GAS	BASE SURROUND 3GR S.STEEL GAS	PROFILS BASE 3GR INOX GAZ	GRUNDPROFIL 3GR STAHL GAS
30	77487108	PROFILO BASAMENTO ANT.4GR INOX/LUC GAS	BASE SURROUND 4GR S.STEEL GAS	PROFILS BASE 4GR INOX GAZ	GRUNDPROFIL 4GR STAHL GAS
31	77487101	PROFILO BASAMENTO ANT.1GR INOX/LUC	BASE SURROUND 1GR S.STEEL	PROFILS BASE 1GR INOX	GRUNDPROFIL 1GR STAHL
31	77487102	PROFILO BASAMENTO ANT.2GR INOX/LUC	BASE SURROUND 2GR S.STEEL	PROFILS BASE 2GR INOX	GRUNDPROFIL 2GR STAHL
31	77487103	PROFILO BASAMENTO ANT.3GR INOX/LUC	BASE SURROUND 3GR S.STEEL	PROFILS BASE 3GR INOX	GRUNDPROFIL 3GR STAHL
31	77487104	PROFILO BASAMENTO ANT.4GR INOX/LUC	BASE SURROUND 4GR S.STEEL	PROFILS BASE 4GR INOX	GRUNDPROFIL 4GR STAHL
32	83770032R	KIT BASAMENTO 2GR AUTOSTEAMER	ASSEMBLY BASE SURROUND 2GR AUTOSTEAMER	ENSEMBLE PROFIL BASE 2GR AUTOSTEAMER	GRUNDPROFIL 2GR AUTOMATISCHE DAMPF
32	83770033R	KIT BASAMENTO 3GR AUTOSTEAMER	ASSEMBLY BASE SURROUND 3GR AUTOSTEAMER	ENSEMBLE PROFIL BASE 3GR AUTOSTEAMER	GRUNDPROFIL 3GR AUTOMATISCHE DAMPF
33	78150055	SUPPORTO MANOMETRO	GAUGE SUPPORT	SUPPORT MANOMETRE	MANOMETERHALTER
34	78150054	SUPPORTO MANOMETRO	GAUGE SUPPORT	SUPPORT MANOMETRE	MANOMETERHALTER
35	4621114	MANOMETRO TONDO	ROUND PRESSURE GAUGE	MANOMETRE ROND	MANOMETER
36	4621112	MANOMETRO TONDO DOPPIA SCALA	ROUND PRESSURE GAUGE	MANOMETRE ROND	MANOMETER
37	76095	BACINELLA 1GR INOX LUCIDO	1GR GLOSSY STAINLESS STEEL TRAY	BASSINELLE 1GR INOX BRILLANT	STAHLSCHALE 1GR
37	76096	BACINELLA 2GR INOX LUCIDO	2GR GLOSSY STAINLESS STEEL TRAY	BASSINELLE 2GR INOX BRILLANT	STAHLSCHALE 2GR
37	76097	BACINELLA 3GR INOX LUCIDO	3GR GLOSSY STAINLESS STEEL TRAY	BASSINELLE 3GR INOX BRILLANT	STAHLSCHALE 3GR
37	76098	BACINELLA 4GR INOX LUCIDO	4GR GLOSSY STAINLESS STEEL TRAY	BASSINELLE 4GR INOX BRILLANT	STAHLSCHALE 4GR

GRIGIO - GRAY - GRIS - GRAU

Pos	Code	Denominazione - IT -	Denomination - EN -	Denomination - FR -	Denomination - DE -
38	76153000	GRIGLIA INFERIORE INOX LUC.456x201	LOWER GRILL 456x201 SHINY S.STEEL	GRILLE INF.INOX 456x201	STAHL-UNTERGITTER 456x201
39	76154000	GRIGLIA INF.DESTRA INOX LUC.338.5x201	RIGHT LOWER GRILL -SHINY S.STEEL	GRILLE INF.DROIT INOX 338,5x201	STAHL-UNTER-RECHTEGITTER 338,5x201
40	76155000	GRIGLIA INF.SINISTRA INOX LUC.338.5x201	LEFT LOWER GRILL - SHINY S.STEEL	GRILLE INF.GAUCHE INOX 338,5x201	STAHL-UNTER-LINKEGITTER 338,5x201
41	76156000	GRIGLIA INFERIORE INOX LUC.	LOWER GRILL - SHINY S.STEEL	GRILLE INF.INOX	STAHL-UNTERGITTER
42	8377043974R	KIT COPRICALDAIA 1GR INOX/LUC LED CTS	ASSEMBLY S.STEEL BOILER COVER 1GR LED	ENSEMBLE COUVRE-CHAUDIERE INOX 1GR LED	KESSELDECKEL 1GR LED STAHL CTS
42	8377043975R	KIT COPRICALDAIA 2GR INOX/LUC LED CTS	ASSEMBLY S.STEEL BOILER COVER 2GR LED	ENSEMBLE COUVRE-CHAUDIERE INOX 2GR LED	KESSELDECKEL 2GR LED STAHL CTS
42	8377043976R	KIT COPRICALDAIA 3GR INOX/LUC LED CTS	ASSEMBLY S.STEEL BOILER COVER 3GR LED	ENSEMBLE COUVRE-CHAUDIERE INOX 3GR LED	KESSELDECKEL 3GR LED STAHL CTS
43	8377043978R	KIT COPRICALDAIA 1GR INOX/LUC LED CTS DISP	ASSEMBLY S.STEEL BOILER COVER 1GR LED	ENSEMBLE COUVRE-CHAUDIERE INOX 1GR LED	KESSELDECKEL 1GR LED STAHL CTS DISPLAY
43	8377043979R	KIT COPRICALDAIA 2GR INOX/LUC LED CTS DISP	ASSEMBLY S.STEEL BOILER COVER 2GR LED	ENSEMBLE COUVRE-CHAUDIERE INOX 2GR LED	KESSELDECKEL 2GR LED STAHL CTS DISPLAY
43	8377043980R	KIT COPRICALDAIA 3GR INOX/LUC LED CTS DISP	ASSEMBLY S.STEEL BOILER COVER 3GR LED	ENSEMBLE COUVRE-CHAUDIERE INOX 3GR LED	KESSELDECKEL 3GR LED STAHL CTS DISPLAY
44	8377043986R	KIT COPRICALDAIA 1GR INOX/LUC CTS	ASSEMBLY S.STEEL BOILER COVER 1GR CTS	ENSEMBLE COUVRE-CHAUDIERE INOX 1GR CTS	KESSELDECKEL 1GR STAHL CTS
44	8377043987R	KIT COPRICALDAIA 2GR INOX/LUC CTS	ASSEMBLY S.STEEL BOILER COVER 2GR CTS	ENSEMBLE COUVRE-CHAUDIERE INOX 2GR CTS	KESSELDECKEL 2GR STAHL CTS
44	8377043988R	KIT COPRICALDAIA 3GR INOX/LUC CTS	ASSEMBLY S.STEEL BOILER COVER 3GR CTS	ENSEMBLE COUVRE-CHAUDIERE INOX 3GR CTS	KESSELDECKEL 3GR STAHL CTS
45	8377043990R	KIT COPRICALDAIA 1GR INOX/LUC CTS DISPLAY	ASSEMBLY S.STEEL BOILER COVER 1GR CTS	ENSEMBLE COUVRE-CHAUDIERE INOX 1GR CTS	KESSELDECKEL 1GR STAHL CTS DISPLAY
45	8377043991R	KIT COPRICALDAIA 2GR INOX/LUC CTS DISPLAY	ASSEMBLY S.STEEL BOILER COVER 2GR CTS	ENSEMBLE COUVRE-CHAUDIERE INOX 2GR CTS	KESSELDECKEL 2GR STAHL CTS DISPLAY
45	8377043992R	KIT COPRICALDAIA 3GR INOX/LUC CTS DISPLAY	ASSEMBLY S.STEEL BOILER COVER 3GR CTS	ENSEMBLE COUVRE-CHAUDIERE INOX 3GR CTS	KESSELDECKEL 3GR STAHL CTS DISPLAY
46	8377044024R	KIT COPRICALDAIA ER/4 INOX/LUC	ASSEMBLY S.STEEL BOILER COVER ER/4	ENSEMBLE COUVRE-CHAUDIERE INOX ER/4	KESSELDECKEL ER/4 STAHL
47	8377044053R	KIT COPRICALDAIA ER/4 INOX/LUC GR.RI.	ASSEMBLY S.STEEL BOILER COVER ER/4	ENSEMBLE COUVRE-CHAUDIERE INOX ER/4	KESSELDECKEL ER/4 STAHL ERHOEHTE GRUPPEN
48	8377044034R	KIT COPRICALDAIA ER/4 DISPLAY INOX/LUC	ASSEMBLY S.STEEL BOILER COVER ER/4	ENSEMBLE COUVRE-CHAUDIERE INOX ER/4	KESSELDECKEL ER/4 DISPLAY STAHL
49	8377044054R	KIT COPRICALDAIA ER/4 DISPLAY INOX/LUC GRU	ASSEMBLY S.STEEL BOILER COVER ER/4	ENSEMBLE COUVRE-CHAUDIERE AFFICHEUR	KESSELDECKEL ER/4 DISPLAY STAHL ERHOE
50	83700046R	KIT FRONTONE AEP/4 GRIGIO	ASSEMBLY FRONT PANEL AEP/4 GRAY	ENSEMBLE PANNEAU FRONTAL AEP/4 GRIS	STIRNTAFEL AEP/4 GRAY GRUPPE
50	83700126R	KIT FRONTONE AEP/1 GRIGIO SENZA PULS.	ASSEMBLY FRONT PANEL AEP/1 GRAY WITHOUT	ENSEMBLE PANNEAU FRONTAL AEP/1 GRIS	STIRNTAFEL AEP/1 GRAU GRUPPE OHNE TASTA
50	83700127R	KIT FRONTONE AEP/2 GRIGIO SENZA PULS.	ASSEMBLY FRONT PANEL AEP/2 GRAY WITHOUT	ENSEMBLE PANNEAU FRONTAL AEP/2 GRIS	STIRNTAFEL AEP/2 GRAU GRUPPE OHNE TASTA
50	83700128R	KIT FRONTONE AEP/3 GRIGIO SENZA PULS.	ASSEMBLY FRONT PANEL AEP/3 GRAY WITHOUT	ENSEMBLE PANNEAU FRONTAL AEP/3 GRIS	STIRNTAFEL AEP/3 GRAU GRUPPE OHNE TASTA
51	83700047R	KIT FRONTONE SAE/4 GRIGIO	ASSEMBLY FRONT PANEL SAE/4 GRAY	ENSEMBLE PANNEAU FRONTAL SAE/4 GRIS	STIRNTAFEL SAE/4 GLORIA GRAU
51	83700130R	KIT FRONTONE SAE/1 GRIGIO SENZA PULS.	ASSEMBLY FRONT PANEL SAE/1 GRAY WITHOUT	ENSEMBLE PANNEAU FRONTAL SAE/1 GRIS	STIRNTAFEL SAE/1 GRAU GRUPPE OHNE TASTA
51	83700131R	KIT FRONTONE SAE/2 GRIGIO SENZA PULS.	ASSEMBLY FRONT PANEL SAE/2 GRAY WITHOUT	ENSEMBLE PANNEAU FRONTAL SAE/2 GRIS	STIRNTAFEL SAE/2 GRAU GRUPPE OHNE TASTA
51	83700132R	KIT FRONTONE SAE/3 GRIGIO SENZA PULS.	ASSEMBLY FRONT PANEL SAE/3 GRAY WITHOUT	ENSEMBLE PANNEAU FRONTAL SAE/3 GRIS	STIRNTAFEL SAE/3 GRAU GRUPPE OHNE TASTA
52	15278056	MANOPOLA COMPLETA RUBINETTO A LEVA	FULL KNOB LEVER	BOUTON COMPLET ROBINET A LEVIER	VOLLKNOPF EINHEBEL MISCHER
53	8315029050R	KIT MANOPOLA	KNOB	POIGNEE	HAHGRIF
54	15029051	TAPPO MANOPOLA	CAP KNOB	BOUCHON POIGNEE	DECKEL HANDGRIF
55	15259006	MANOPOLA RUBINETTO A LEVA	KNOB	POIGNEE	HANDGRIF
56	29089361	TARGHETTA ADESIVA GLORIA	ADHESIVE LABEL GLORIA	ETIQUETTE ADHESIVE GLORIA	KLEBEETIKETTE GLORIA
57	29089385	TARGHETTA ADESIVA ASTORIA	ADHESIVE LABEL ASTORIA	ETIQUETTE ADHESIVE ASTORIA	KLEBEETIKETTE ASTORIA



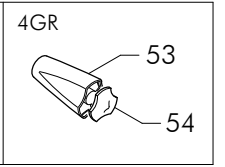
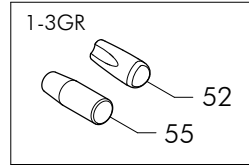
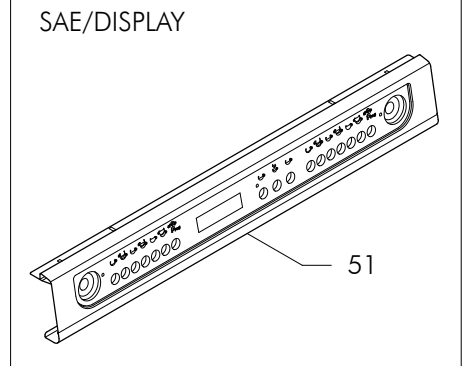
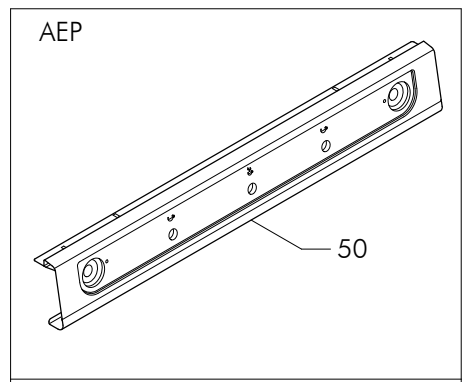
1-3GR	
CON LED	42 43 DISPLAY
WITH LED	
SENZA LED	44 45 DISPLAY
WITHOUT LED	
4GR	
46	48 DISPLAY
47(*)	49 DISPLAY (*)

38	1GR
39+40	2GR
39+41+40	3GR
39+41+41+40	4GR

GAS	30
STANDARD	31
AUTOSTEAMER	32

33	DISPLAY
34	AEP/SAE

35	DISPLAY
36	AEP/SAE



(*) GRUPPI RIALZATI / RAISED GROUPS
GROUPES REHAUSSÉS / ERHOEHTE GRUPPEN

CROMO - CHROME - CHROME - CHROM

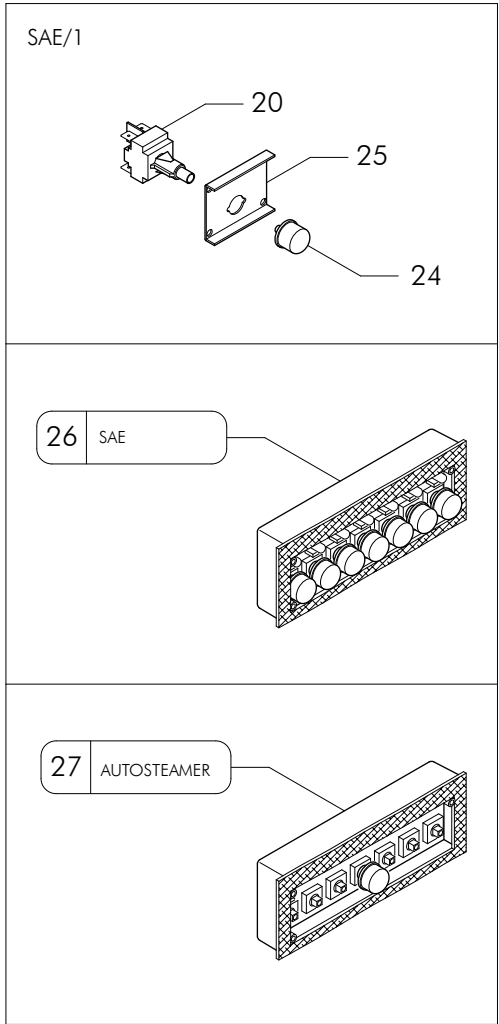
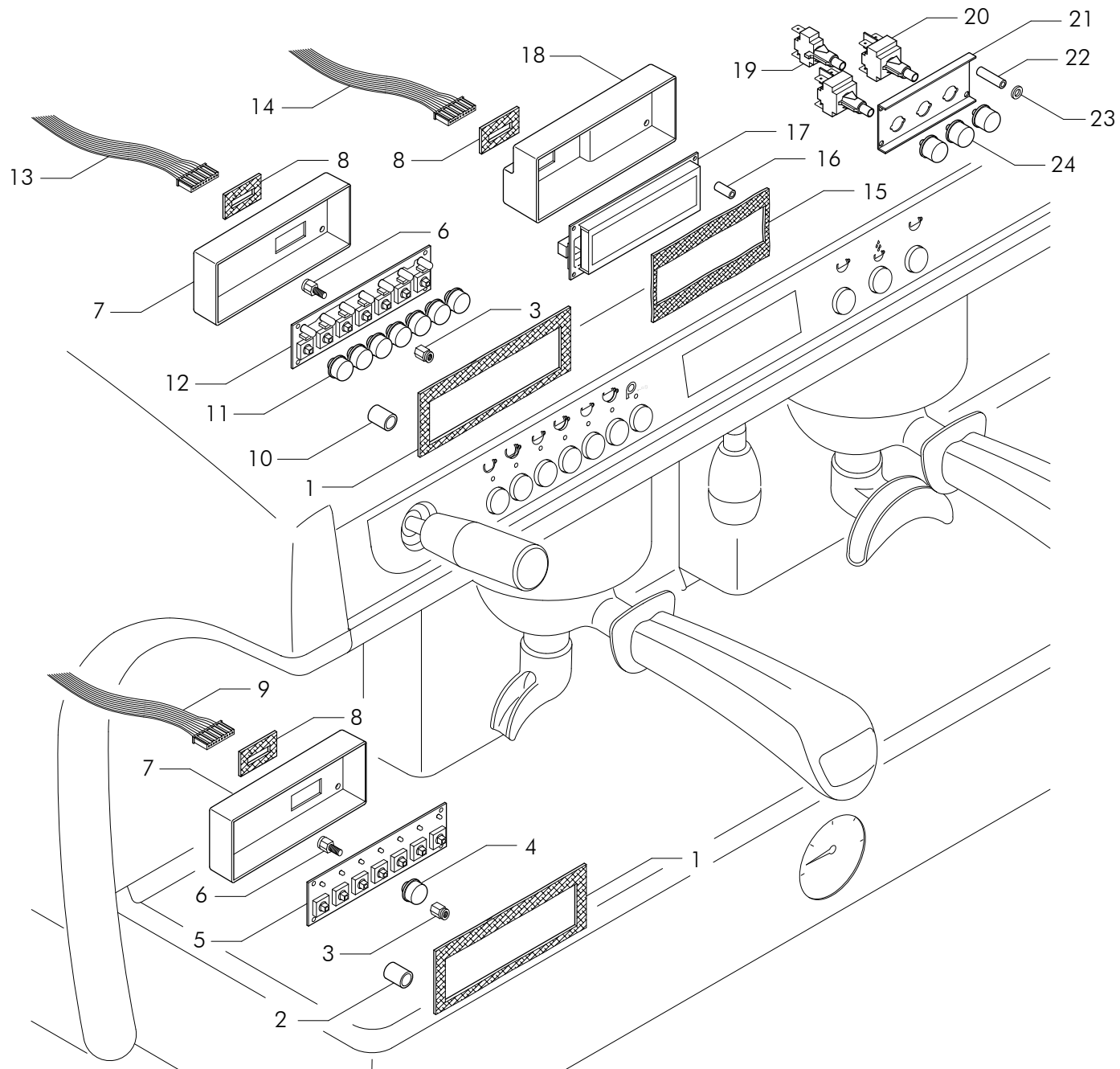
Pos	Code	Denominazione - IT -	Denomination - EN -	Denomination - FR -	Denomination - DE -
1	56910109	FIANCO ASSIEMATO SINISTRO CROMATO	LEFT SIDE PANEL CHROME	COTE GAUCHE CHROME	LINKE SEITE CHROM
2	77498501	PROFILO FIANCO SINISTRO CROMO	LEFT SIDE STRIP CHROME	PROFILS POUR COTE GAUCHE CHROME	PROFIL FUR LINKE SEITE
3	77607052	PROFILO INTERNO SINISTRO FIANCO	INTERNAL STRIP LEFT	PROFIL INT. GAUCHE	PROFIL INNEN LINKE
4	78167010	STAFFA SUP.DX-SX SUPPORTO FIANCO	RH-LH PANEL SUPPORT	SUPPORT DR-GA COTE	RECHTS/LINKS HALTER
5	75288066	PANNELLO INF.1GR GLORIA INOX	LOWER PANEL 1GR S.STEEL	PANNEAU INF. 1GR INOX	UNTERTAFEL 1GR STAHL
5	75288069	PANNELLO INF.2GR GLORIA INOX	LOWER PANEL 2GR S.STEEL	PANNEAU INF. 2GR INOX	UNTERTAFEL 2GR GLORIA STAHL
5	75288072	PANNELLO INF.3GR GLORIA INOX	LOWER PANEL 3GR S.STEEL	PANNEAU INF. 3GR INOX	UNTERTAFEL 3GR STAHL
5	75288075	PANNELLO INF.4GR GLORIA INOX	LOWER PANEL 4GR S.STEEL	PANNEAU INF. 4GR INOX	UNTERTAFEL 4GR STAHL
6	75287996	PANNELLO CENT.1GR GLORIA INOX	CENTRAL PANEL 1GR INOX	PANNEAU CENTRAL 1GR INOX	ZENTRALTAFEL 1GR STAHL
6	75287997	PANNELLO CENT.2GR GLORIA INOX	CENTRAL PANEL 2GR INOX	PANNEAU CENTRAL 2GR INOX	ZENTRALTAFEL 2GR STAHL
6	75287998	PANNELLO CENT.3GR GLORIA INOX	CENTRAL PANEL 3GR INOX	PANNEAU CENTRAL 3GR INOX	ZENTRALTAFEL 3GR STAHL
6	75287999	PANNELLO CENT.4GR GLORIA INOX	CENTRAL PANEL 4GR INOX	PANNEAU CENTRAL 4GR INOX	ZENTRALTAFEL 4GR STAHL
7	75288068	PANNELLO POST.SUP.1GR GLORIA INOX	TOP PANEL 1GR S.STEEL	PANNEAU SUPERIEURE 1GR INOX	OBERTAFEL 1GR STAHL
7	75288071	PANNELLO POST.SUP.2GR GLORIA INOX	TOP PANEL 2GR S.STEEL	PANNEAU SUPERIEURE 2GR INOX	OBERTAFEL 2GR STAHL
7	75288074	PANNELLO POST.SUP.3GR GLORIA INOX	TOP PANEL 3GR S.STEEL	PANNEAU SUPERIEURE 3GR INOX	OBERTAFEL 3GR STAHL
7	75288077	PANNELLO POST.SUP.4GR GLORIA INOX	TOP PANEL 4GR S.STEEL	PANNEAU SUPERIEURE 4GR INOX	OBERTAFEL 4GR STAHL
8	21162147	PLEXIGLASS 1GR	PLEXIGLASS 1GR	PLEXIGLASS 1GR	PLEXIGLASS 1GR
8	21162148	PLEXIGLASS 2GR	PLEXIGLASS 2GR	PLEXIGLASS 2GR	PLEXIGLASS 2GR
8	21162149	PLEXIGLASS 3GR	PLEXIGLASS 3GR	PLEXIGLASS 3GR	PLEXIGLASS 3GR
8	21162150	PLEXIGLASS 4GR	PLEXIGLASS 4GR	PLEXIGLASS 4GR	PLEXIGLASS 4GR
9	75288007	PROFILO SUP.FERMA PLEXIGLASS 1GR INOX	PLEXIGLASS SUPPORT 1GR S.STEEL	SUPPORT PLEXIGLASS 1GR INOX	PLEXIGLASSHALTER 1GR STAHL
9	75288011	PROFILO SUP.FERMA PLEXIGLASS 2GR INOX	PLEXIGLASS SUPPORT 2GR S.STEEL	SUPPORT PLEXIGLASS 2GR INOX	PLEXIGLASSHALTER 2GR STAHL
9	75288015	PROFILO SUP.FERMA PLEXIGLASS 3GR INOX	PLEXIGLASS SUPPORT 3GR S.STEEL	SUPPORT PLEXIGLASS 3GR INOX	PLEXIGLASSHALTER 3GR STAHL
9	75288019	PROFILO SUP.FERMA PLEXIGLASS 4GR INOX	PLEXIGLASS SUPPORT 4GR S.STEEL	SUPPORT PLEXIGLASS 4GR INOX	PLEXIGLASSHALTER 4GR STAHL
10	76100101	GRIGLIA SUPERIORE ER/1 INOX	TOP GRATE ER/1 S.STEEL	GRILLE SUP. ER/1 INOX	OBERGITTER ER/1 STAHL
10	76100102	GRIGLIA SUPERIORE ER/2 INOX	TOP GRATE ER/2 S.STEEL	GRILLE SUP. ER/2 INOX	OBERGITTER ER/2 STAHL
10	76100103	GRIGLIA SUPERIORE ER/3 INOX	TOP GRATE ER/3 S.STEEL	GRILLE SUP. ER/3 INOX	OBERGITTER ER/3 STAHL
10	76100104	GRIGLIA SUPERIORE ER/4 INOX	TOP GRATE ER/4 S.STEEL	GRILLE SUP. ER/4 INOX	OBERGITTER ER/4 STAHL
11	56910108	FIANCO ASSIEMATO DESTRO CROMATO	RIGHT SIDE PANEL CHROME GL	COTE DROIT CHROM	RECHTE SEITE CHROM
12	77607051	PROFILO INTERNO DESTRO FIANCO	INTERNAL STRIP RIGHT	PROFIL INT. COTE DROIT	PROFIL INNEN RECHTE
13	77498500	PROFILO FIANCO DESTRO CROMO	RIGHT SIDE STRIP CHROME	PROFILS POUR COTE DROIT CHROME	PROFIL FUR RECHTE SEITE CHROME
14	77607049	STAFFA INF.DESTRA FIANCO	LOWER SIDE BRACKET	ETRIER INFERIEUR COTE	SEITE BUGEL UNTER
15	77691960	PROTEZIONE PULSANTIERA AEP-SAE/1 INOX/L	PUSH BUTTON PANEL GUARD AEP-SAE/1	PROTECTION CLAVIERS AEP-SAE/1	SCHUTZ BEDIENBLLENDE AEP-SAE/1
15	77691961	PROTEZIONE PULSANTIERA AEP-SAE/2 INOX/L	PUSH BUTTON PANEL GUARD AEP-SAE/2	PROTECTION CLAVIERS AEP-SAE/2	SCHUTZ BEDIENBLLENDE AEP-SAE/2
15	77691962	PROTEZIONE PULSANTIERA AEP-SAE/3 INOX/L	PUSH BUTTON PANEL GUARD AEP-SAE/3	PROTECTION CLAVIERS AEP-SAE/3	SCHUTZ BEDIENBLLENDE AEP-SAE/3
15	77691963	PROTEZIONE PULSANTIERA AEP-SAE/4 INOX/L	PUSH BUTTON PANEL GUARD AEP-SAE/4	PROTECTION CLAVIERS AEP-SAE/4	SCHUTZ BEDIENBLLENDE AEP-SAE/4

CROMO - CHROME - CHROME - CHROM

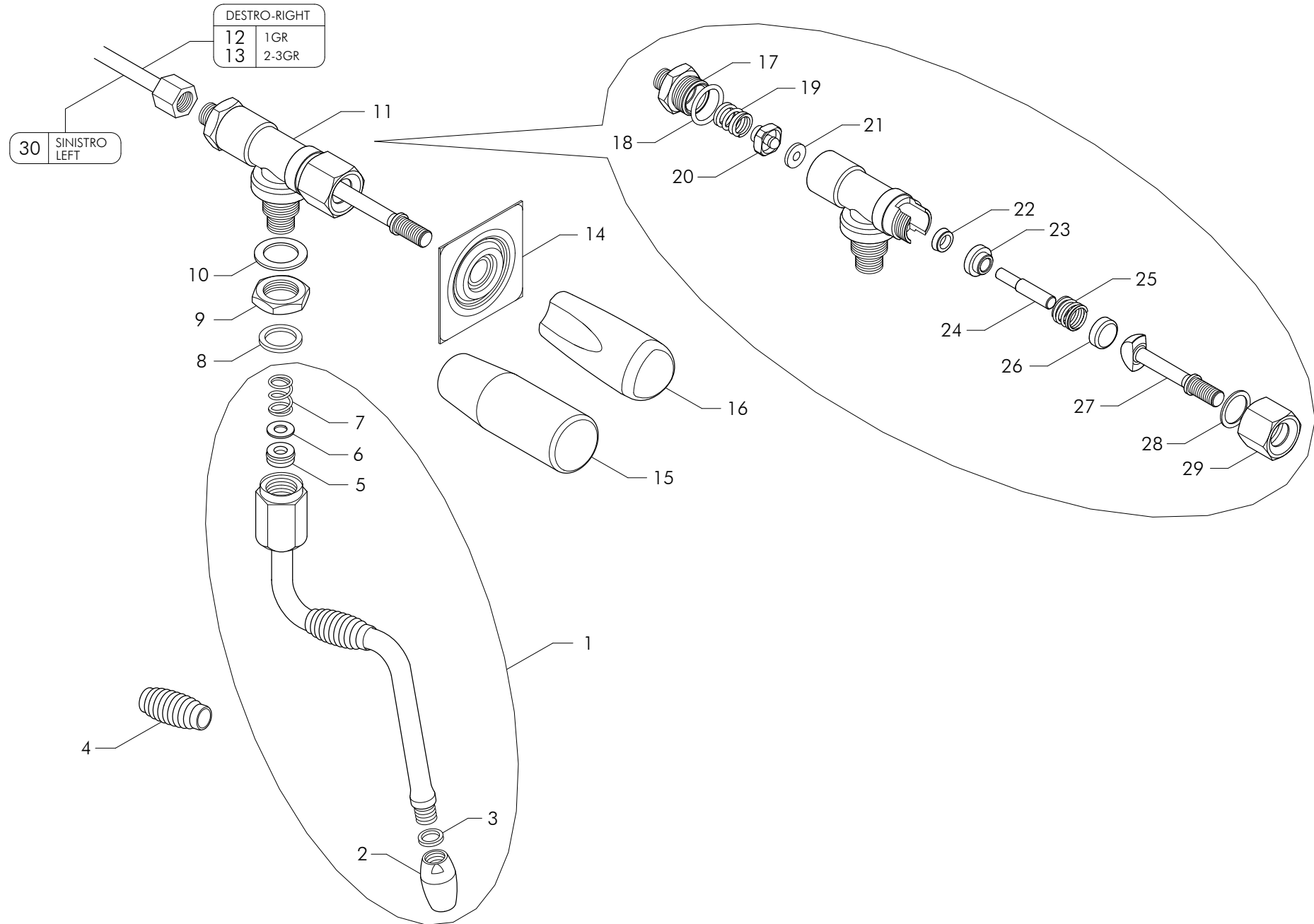
Pos	Code	Denominazione - IT -	Denomination - EN -	Denomination - FR -	Denomination - DE -
16	77691986	PROTEZIONE ANT.FERMATAZZE 1GR INOX	BLOCK CUP 1GR S.STEEL	FERMETURE TASSE 1GR INOX	BLOCK TASSE 1GR STAHL
16	77691987	PROTEZIONE ANT.FERMATAZZE 2GR INOX	BLOCK CUP 2GR S.STEEL	FERMETURE TASSE 2GR INOX	BLOCK TASSE 2GR STAHL
16	77691988	PROTEZIONE ANT.FERMATAZZE 3GR INOX	BLOCK CUP 3GR S.STEEL	FERMETURE TASSE 3GR INOX	BLOCK TASSE 3GR STAHL
16	77691989	PROTEZIONE ANT.FERMATAZZE 4GR INOX	BLOCK CUP 4GR S.STEEL	FERMETURE TASSE 4GR INOX	BLOCK TASSE 4GR STAHL
17	77607048	PROF.COPRIFORO INF.DESTRO-SINISTRO FIANCO	RIGHT-LEFT PROFILE SIDE	PROFIL DROIT-GAUCHE COTE	RECHT-LINKE PROFIL
18	21203	PLEXIGLASS SEGNALIVELLO	COLOURLESS LEVEL INDICATOR 0	SIGNAL NIVEAU	FARBLOSER NIVEAUANZEIGER
19	23420001	VITE TE BOMBATA M6x12	SCREW M6x12	VIS M6x12	SCHRAUBE M6x12
20	15373070	TAPPO ABS CROMATO FORO GAS	CHROMED CAP	BOUCHON CHROME COUVRE-TROU DU GAZ	CHROM CAP
21	8377691969R	KIT PROTEZIONE SUPERIORE GRUPPO	ASSEMBLY TOP PROTECTION GROUP	ENSEMBLE PROTECTION SUPERIEURE GROUPE	OBER GRUPPEN SCHUTZ
22	8377691984R	KIT PROTEZIONE SUPERIORE GRUPPO RIALZATO	ASSEMBLY TOP PROTECTION RAISED GROUP	ENSEMBLE PROTECTION SUPERIEURE GROUPES	OBER ERHOEHTE GRUPPEN SCHUTZ
23	77691968	PROTEZIONE INFERIORE GRUPPO	LOWER PROTECTION GROUP	PROTECTION INFER. GROUPE	UNTER GRUPPEN SCHUTZ
24	77691983	PROTEZIONE INF.GRUPPO RIALZATO GLORIA	LOWER PROTECTION RAISED GROUPS	PROTECTION INFER. GROUPES REHAUSSES	UNTER ERHOEHTE GRUPPEN SCHUTZ
25	77741	GUIDA DESTRA-SINISTRA BACINELLA	R-L BASIN GUIDE FOR FRAMES	GUIDE DX-SX CUVE x CHASSIS	FUHRUNG RECHTS-LINKS SCHALE FUR RAH
26	77742005	DISTANZIALE GUIDA BACINELLA	SPACER GLOSSY	ENTRETOISE CUVE	DISTANZSTUCK
27	77607050	STAFFA INF.SINISTRO FIANCO	LOWER SIDE BRACKET	ETRIER INFERIEUR COTE	SEITE BUGEL UNTER
28	15318001	PIEDINO REGOLABILE INOX/SAT H55/69	ADJUSTABLE FOOT H55/69 INT.THREAD+SCREW	PIED REGLABLE H55/69	REGELBARER FUSS H55/69
29	76149054	GRIGLIA RIALZO TAZZE 1/2GR	CUPS-STAND FOR RAISED GROUP 1/2GR	GRILLE SUPERIEURE 1/2GR	GITTER FUER HOHE GRUPPE 1/2GR
29	76149065	GRIGLIA RIALZO TAZZE 3/4GR	CUPS-STAND FOR RAISED GROUP 3/4GR	GRILLE SUPERIEURE 3/4GR	GITTER FUER HOHE GRUPPE 3/4GR
30	77487105	PROFILO BASAMENTO ANT.1GR INOX/LUC GAS	BASE SURROUND 1GR S.STEEL GAS	PROFILS BASE 1GR INOX GAZ	GRUNDPROFIL 1GR STAHL GAS
30	77487106	PROFILO BASAMENTO ANT.2GR INOX/LUC GAS	BASE SURROUND 2GR S.STEEL GAS	PROFILS BASE 2GR INOX GAZ	GRUNDPROFIL 2GR STAHL GAS
30	77487107	PROFILO BASAMENTO ANT.3GR INOX/LUC GAS	BASE SURROUND 3GR S.STEEL GAS	PROFILS BASE 3GR INOX GAZ	GRUNDPROFIL 3GR STAHL GAS
30	77487108	PROFILO BASAMENTO ANT.4GR INOX/LUC GAS	BASE SURROUND 4GR S.STEEL GAS	PROFILS BASE 4GR INOX GAZ	GRUNDPROFIL 4GR STAHL GAS
31	77487101	PROFILO BASAMENTO ANT.1GR INOX/LUC	BASE SURROUND 1GR S.STEEL	PROFILS BASE 1GR INOX	GRUNDPROFIL 1GR STAHL
31	77487102	PROFILO BASAMENTO ANT.2GR INOX/LUC	BASE SURROUND 2GR S.STEEL	PROFILS BASE 2GR INOX	GRUNDPROFIL 2GR STAHL
31	77487103	PROFILO BASAMENTO ANT.3GR INOX/LUC	BASE SURROUND 3GR S.STEEL	PROFILS BASE 3GR INOX	GRUNDPROFIL 3GR STAHL
31	77487104	PROFILO BASAMENTO ANT.4GR INOX/LUC	BASE SURROUND 4GR S.STEEL	PROFILS BASE 4GR INOX	GRUNDPROFIL 4GR STAHL
32	83770032R	KIT BASAMENTO 2GR AUTOSTEAMER	ASSEMBLY BASE SURROUND 2GR AUTOSTEAMER	ENSEMBLE PROFIL BASE 2GR AUTOSTEAMER	GRUNDPROFIL 2GR AUTOMATISCHE DAMPF
32	83770033R	KIT BASAMENTO 3GR AUTOSTEAMER	ASSEMBLY BASE SURROUND 3GR AUTOSTEAMER	ENSEMBLE PROFIL BASE 3GR AUTOSTEAMER	GRUNDPROFIL 3GR AUTOMATISCHE DAMPF
33	78150055	SUPPORTO MANOMETRO	GAUGE SUPPORT	SUPPORT MANOMETRE	MANOMETERHALTER
34	78150054	SUPPORTO MANOMETRO	GAUGE SUPPORT	SUPPORT MANOMETRE	MANOMETERHALTER
35	4621114	MANOMETRO TONDO	ROUND PRESSURE GAUGE	MANOMETRE ROND	MANOMETER
36	4621112	MANOMETRO TONDO DOPPIA SCALA	ROUND PRESSURE GAUGE	MANOMETRE ROND	MANOMETER
37	76095	BACINELLA 1GR INOX LUCIDO	1GR GLOSSY STAINLESS STEEL TRAY	BASSINELLE 1GR INOX BRILLANT	STAHLSCHALE 1GR
37	76096	BACINELLA 2GR INOX LUCIDO	2GR GLOSSY STAINLESS STEEL TRAY	BASSINELLE 2GR INOX BRILLANT	STAHLSCHALE 2GR
37	76097	BACINELLA 3GR INOX LUCIDO	3GR GLOSSY STAINLESS STEEL TRAY	BASSINELLE 3GR INOX BRILLANT	STAHLSCHALE 3GR
37	76098	BACINELLA 4GR INOX LUCIDO	4GR GLOSSY STAINLESS STEEL TRAY	BASSINELLE 4GR INOX BRILLANT	STAHLSCHALE 4GR

CROMO - CHROME - CHROME - CHROM

Pos	Code	Denominazione - IT -	Denomination - EN -	Denomination - FR -	Denomination - DE -
38	76153000	GRIGLIA INFERIORE INOX LUC.456x201	LOWER GRILL 456x201 SHINY S.STEEL	GRILLE INF.INOX 456x201	STAHL-UNTERGITTER 456x201
39	76154000	GRIGLIA INF.DESTRA INOX LUC.338.5x201	RIGHT LOWER GRILL -SHINY S.STEEL	GRILLE INF.DROIT INOX 338,5x201	STAHL-UNTER-RECHTEGITTER 338,5x201
40	76155000	GRIGLIA INF.SINISTRA INOX LUC.338.5x201	LEFT LOWER GRILL - SHINY S.STEEL	GRILLE INF.GAUCHE INOX 338,5x201	STAHL-UNTER-LINKEGITTER 338,5x201
41	76156000	GRIGLIA INFERIORE INOX LUC.	LOWER GRILL - SHINY S.STEEL	GRILLE INF.INOX	STAHL-UNTERGITTER
42	8377043974R	KIT COPRICALDAIA 1GR INOX/LUC LED CTS	ASSEMBLY S.STEEL BOILER COVER 1GR LED	ENSEMBLE COUVRE-CHAUDIERE INOX 1GR LED	KESSELDECKEL 1GR LED STAHL CTS
42	8377043975R	KIT COPRICALDAIA 2GR INOX/LUC LED CTS	ASSEMBLY S.STEEL BOILER COVER 2GR LED	ENSEMBLE COUVRE-CHAUDIERE INOX 2GR LED	KESSELDECKEL 2GR LED STAHL CTS
42	8377043976R	KIT COPRICALDAIA 3GR INOX/LUC LED CTS	ASSEMBLY S.STEEL BOILER COVER 3GR LED	ENSEMBLE COUVRE-CHAUDIERE INOX 3GR LED	KESSELDECKEL 3GR LED STAHL CTS
43	8377043978R	KIT COPRICALDAIA 1GR INOX/LUC LED CTS DISP	ASSEMBLY S.STEEL BOILER COVER 1GR LED	ENSEMBLE COUVRE-CHAUDIERE INOX 1GR LED	KESSELDECKEL 1GR LED STAHL CTS DISPLAY
43	8377043979R	KIT COPRICALDAIA 2GR INOX/LUC LED CTS DISP	ASSEMBLY S.STEEL BOILER COVER 2GR LED	ENSEMBLE COUVRE-CHAUDIERE INOX 2GR LED	KESSELDECKEL 2GR LED STAHL CTS DISPLAY
43	8377043980R	KIT COPRICALDAIA 3GR INOX/LUC LED CTS DISP	ASSEMBLY S.STEEL BOILER COVER 3GR LED	ENSEMBLE COUVRE-CHAUDIERE INOX 3GR LED	KESSELDECKEL 3GR LED STAHL CTS DISPLAY
44	8377043986R	KIT COPRICALDAIA 1GR INOX/LUC CTS	ASSEMBLY S.STEEL BOILER COVER 1GR CTS	ENSEMBLE COUVRE-CHAUDIERE INOX 1GR CTS	KESSELDECKEL 1GR STAHL CTS
44	8377043987R	KIT COPRICALDAIA 2GR INOX/LUC CTS	ASSEMBLY S.STEEL BOILER COVER 2GR CTS	ENSEMBLE COUVRE-CHAUDIERE INOX 2GR CTS	KESSELDECKEL 2GR STAHL CTS
44	8377043988R	KIT COPRICALDAIA 3GR INOX/LUC CTS	ASSEMBLY S.STEEL BOILER COVER 3GR CTS	ENSEMBLE COUVRE-CHAUDIERE INOX 3GR CTS	KESSELDECKEL 3GR STAHL CTS
45	8377043990R	KIT COPRICALDAIA 1GR INOX/LUC CTS DISPLAY	ASSEMBLY S.STEEL BOILER COVER 1GR CTS	ENSEMBLE COUVRE-CHAUDIERE INOX 1GR CTS	KESSELDECKEL 1GR STAHL CTS DISPLAY
45	8377043991R	KIT COPRICALDAIA 2GR INOX/LUC CTS DISPLAY	ASSEMBLY S.STEEL BOILER COVER 2GR CTS	ENSEMBLE COUVRE-CHAUDIERE INOX 2GR CTS	KESSELDECKEL 2GR STAHL CTS DISPLAY
45	8377043992R	KIT COPRICALDAIA 3GR INOX/LUC CTS DISPLAY	ASSEMBLY S.STEEL BOILER COVER 3GR CTS	ENSEMBLE COUVRE-CHAUDIERE INOX 3GR CTS	KESSELDECKEL 3GR STAHL CTS DISPLAY
46	8377044024R	KIT COPRICALDAIA ER/4 INOX/LUC	ASSEMBLY S.STEEL BOILER COVER ER/4	ENSEMBLE COUVRE-CHAUDIERE INOX ER/4	KESSELDECKEL ER/4 STAHL
47	8377044053R	KIT COPRICALDAIA ER/4 INOX/LUC GR.RI.	ASSEMBLY S.STEEL BOILER COVER ER/4	ENSEMBLE COUVRE-CHAUDIERE INOX ER/4	KESSELDECKEL ER/4 STAHL ERHOEHTE GRUPPEN
48	8377044034R	KIT COPRICALDAIA ER/4 DISPLAY INOX/LUC	ASSEMBLY S.STEEL BOILER COVER ER/4	ENSEMBLE COUVRE-CHAUDIERE INOX ER/4	KESSELDECKEL ER/4 DISPLAY STAHL
49	8377044054R	KIT COPRICALDAIA ER/4 DISPLAY INOX/LUC GRU	ASSEMBLY S.STEEL BOILER COVER ER/4	ENSEMBLE COUVRE-CHAUDIERE AFFICHEUR	KESSELDECKEL ER/4 DISPLAY STAHL
50	83700038R	KIT FRONTONE AEP/4 INOX	ASSEMBLY FRONT PANEL AEP/4 S.STEEL	ENSEMBLE PANNEAU FRONTAL AEP/4 INOX	STIRNTAFEL AEP/4 STAHL GRUPPE
50	83700134R	KIT FRONTONE AEP/1 INOX SENZA PULS.	ASSEMBLY S.STEEL FRONT PANEL AEP/1	ENSEMBLE PANNEAU FRONTAL AEP/1 INOX	STIRNTAFEL AEP/1 STAHL GRUPPE OHNE
50	83700135R	KIT FRONTONE AEP/2 INOX SENZA PULS.	ASSEMBLY S.STEEL FRONT PANEL AEP/2	ENSEMBLE PANNEAU FRONTAL AEP/2 INOX	STIRNTAFEL AEP/2 STAHL GRUPPE OHNE
50	83700136R	KIT FRONTONE AEP/3 INOX SENZA PULS.	ASSEMBLY S.STEEL FRONT PANEL AEP/3	ENSEMBLE PANNEAU FRONTAL AEP/3 INOX	STIRNTAFEL AEP/3 STAHL GRUPPE OHNE
51	83700039R	KIT FRONTONE SAE/4 INOX	ASSEMBLY FRONT PANEL SAE/4 S.STEEL	ENSEMBLE PANNEAU FRONTAL SAE/4 INOX	STIRNTAFEL SAE/4 STAHL GRUPPE
51	83700138R	KIT FRONTONE SAE/1 INOX SENZA PULS.	ASSEMBLY S.STEEL FRONT PANEL SAE/1	ENSEMBLE PANNEAU FRONTAL SAE/1 INOX	STIRNTAFEL SAE/1 STAHL GRUPPE OHNE
51	83700139R	KIT FRONTONE SAE/2 INOX SENZA PULS.	ASSEMBLY S.STEEL FRONT PANEL SAE/2	ENSEMBLE PANNEAU FRONTAL SAE/2 INOX	STIRNTAFEL SAE/2 STAHL GRUPPE OHNE
51	83700140R	KIT FRONTONE SAE/3 INOX SENZA PULS.	ASSEMBLY S.STEEL FRONT PANEL SAE/3	ENSEMBLE PANNEAU FRONTAL SAE/3 INOX	STIRNTAFEL SAE/3 STAHL GRUPPE OHNE
52	15278056	MANOPOLA COMPLETA RUBINETTO A LEVA	FULL KNOB LEVER	BOUTON COMPLET ROBINET A LEVIER	VOLLKNOPF EINHEBEL MISCHER
53	8315029050R	KIT MANOPOLA	KNOB	POIGNEE	HAHGRIF
54	15029051	TAPPO MANOPOLA	CAP KNOB	BOUCHON POIGNEE	DECKEL HANDGRIF
55	15259006	MANOPOLA RUBINETTO A LEVA	KNOB	POIGNEE	HANDGRIF
56	29089361	TARGHETTA ADESIVA GLORIA	ADHESIVE LABEL GLORIA	ETIQUETTE ADHESIVE GLORIA	KLEBEETIKETTE GLORIA
57	29089385	TARGHETTA ADESIVA ASTORIA	ADHESIVE LABEL ASTORIA	ETIQUETTE ADHESIVE ASTORIA	KLEBEETIKETTE ASTORIA

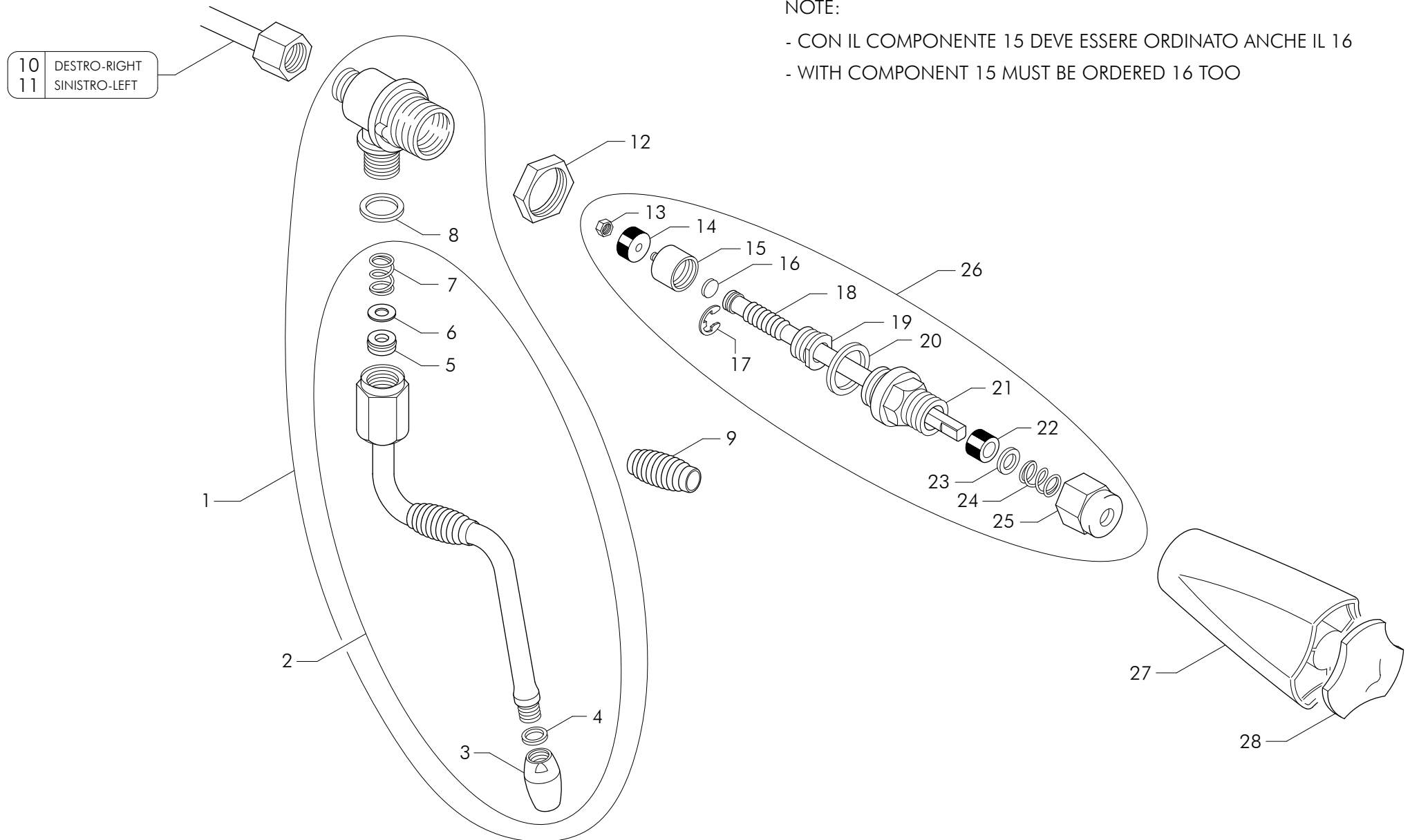


Pos	Code	Denominazione - IT -	Denomination - EN -	Denomination - FR -	Denomination - DE -
1	15182996	EPDM ESPANSO CN22 144x55x2	EPDM CN22 144x55x2	EPDM CN22 144x55x2	EPDM CN22 144x55x2
2	15373104	DISTANZIALE DISPLAY L.9,5	DISPLAY SPACER L.9,5	ENTRETOISE DISPLAY L.9,5	DISTANZDISPLAY L.9,5
3	15373108	DISTANZIALE PULSANTIERE FEMMINA FEMMINA	KEY SPACER FEMALE-FEMALE	ENTRETOISE TOUCHE FEMALE-FEMALE	DISTANZTASTE
4	15373059	TASTO PULSANTIERE ELETTRONICHE CROMATO	CHROMED BUTTON	TOUCHE CHROMEE	CHROM TASTE
5	18371157	CIRCUITO STAMPATO PULSANTIERA 7T	PRINTED CIRCUIT PUSH BUTTON 7K	CIRCUIT IMPRIME CLAVIER 7C	GEDRUCKTER SHALTKREIS TASTATUREN 7T
6	15373107	DISTANZIATORE METRICO PULSANTIERE	KEY SPACER	ENTRETOISE TOUCHE	DISTANZTASTE
7	15373115	SCATOLA POSTERIORE PULSANTIERA	BOX PUSH BUTTON	BOITIER CLAVIER	GEHAUSE F.TASTENWAHLSCHALTER
8	15183000	EPDM ESPANSO PROTEZIONE	EPDM PROTECTION	EPDM PROTECTION CLAVIER	EPDM SCHUTZ
9	22715835	CABLAGGIO AUTOSTEAMER	CABLE AUTOSTEAMER	CABLAGE AUTOSTEAMER	KABEL AUTOSTEAMER
10	15373123	DISTANZIALE L.4,8	SPACER	ENTRETOISE	DISTANZ
11	15373059	TASTO PULSANTIERE ELETTRONICHE CROMATO	CHROMED BUTTON	TOUCHE CHROMEE	CHROM TASTE
12	18371079	CIRCUITO STAMP.PULSANTIERA 7T	PRINTED CIRCUIT PUSH BUTTON 7T	CIRCUIT IMPRIME CLAVIER 7T	GEDRUCKTER SCHALTKREIS TASTATUREN 7T
13	22627	CAVO PULSANTIERA 10 POLI 80CM	80 CM CONNECTOR FOR P.BUTTON PANEL	CABLE CLAVIER 10 POLES 80 CM	KABEL BEDIENBL. 10 POLIG 80CM
13	22628	CAVO PULSANTIERA 10 POLI 140CM	140 CM CABLE FOR P.BUTTON PANEL	CABLE CLAVIER 10 POLES 140 CM	KABEL BEDIENBL. 10 POLIG 140CM
14	22554007	CAVO MULTIVIE DISPLAY L.140	RIBBON CABLE DISPLAY L.140	CABLAGE DISPLAY L.140	KABEL DISPLAY L.140
15	15182997	EPDM ESPANSO CN22 110x55x2	EPDM CN22 110x55x2	EPDM CN22 110x55x2	EPDM CN22 110x55x2
16	15373102	DISTANZIALE DISPLAY	DISPLAY SPACER MY/KT R941-09	ENTRETOIS DISPLAY MY/KT R941-09	DISTANZSTUECK DISPLAY MY/KT R941-09
17	18371078	DISPLAY SAE	DISPLAY SAE 99.0 X 24.0	DISPLAY SAE	DISPLAY SAE
18	15373112	SCATOLA POSTERIORE DISPLAY	BOX PUSH BUTTON	BOITIER CLAVIER	GEHAUSE F.TASTENWAHLSCHALTER
19	18371058	PULSANTE UNIPOLARE	SINGLE POLE PUSHBUTTON	BOUTON-POUSSOIR UNIPOLAIRE	EINPOLIGER TASTER
20	18371057	INTERRUTTORE BIPOLARE	TWO POLE SWITCH	INTERRUPTEUR BIPOLAIRE	ZWEIPOLIGER SCHALTER
21	77595000	PIASTRINA PORTA INTERRUTTORI	KEY SUPPORT	SUPPORT TOUCHE	TASTE SUPPORT
22	15373106	DISTANZIALE PULSANTIERE 3T L.21	KEY SPACER 3T	ENTRETOISE TOUCHE 3T	DISTANZTASTE 3T
23	15373121	RONDELLA 7x3,3x2	BUSHEL 7x3,3x2	RONDELLE 7x3,3x2	SCHEIBE 7x3,3x2
24	15373060	TASTO PULSANTIERE MECCANICHE CROMATO	CHROMED KEY	TOUCHE CHROMEE	CHROM TASTE
25	77594998	PIASTRINA PORTA INTERRUTTORI	KEY SUPPORT	SUPPORT TOUCHE	TASTE SUPPORT
26	83180011R	KIT PULSANTIERA	TOUCHPAD KIT	ENSEMBLE CLAVIER	TASTATUREN GRUPPE
27	83180034R	KIT PULSANTIERA AUTOSTEAMER	TOUCHPAD AUTOSTEAMER KIT	ENSEMBLE CLAVIER AUTOSTEAMER	TASTATUREN AUTOMATISCHEDAMPF GRUPPE

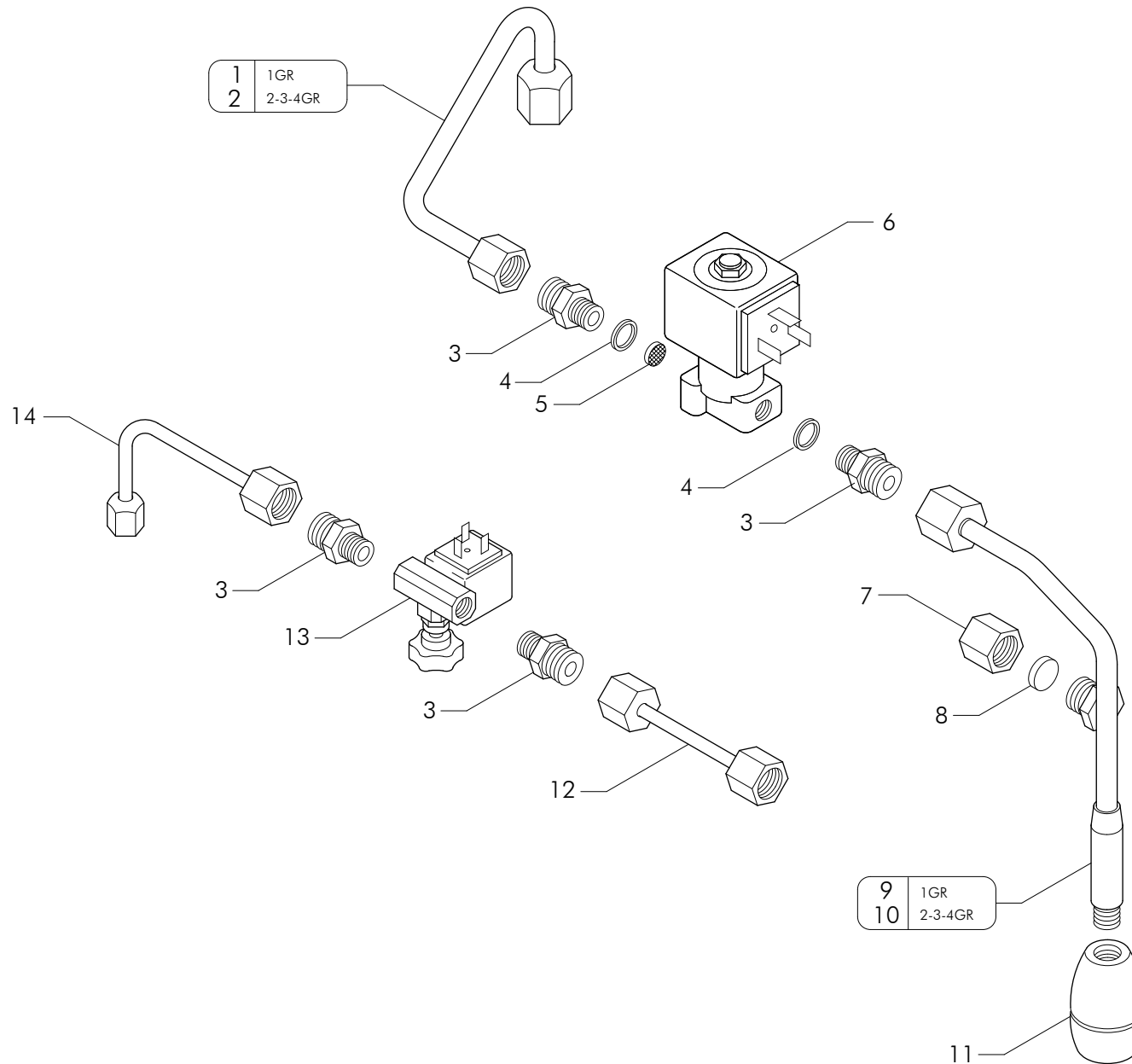


VAPORE 1-2-3GR - STEAM 1-2-3GR - VAPEUR 1-2-3GR - DAMPF 1-2-3GR

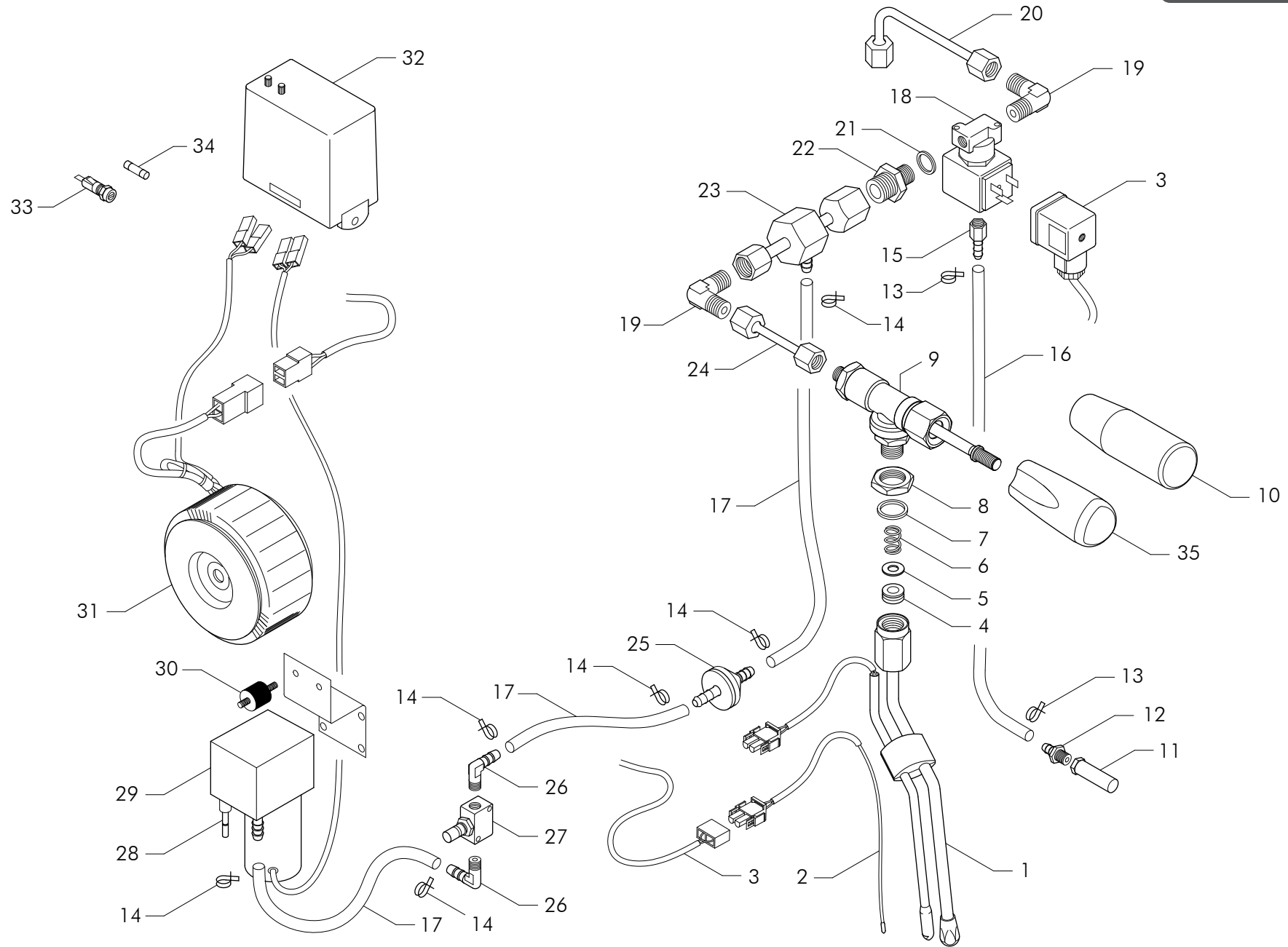
Pos	Code	Denominazione - IT -	Denomination - EN -	Denomination - FR -	Denomination - DE -
1	25763009	TUBO VAPORE INOX D.10	STEAM PIPE ASSEMBLY D-10	TUYAU VAPEUR D-10	DAMPFROHRSATZ D-10
2	25763074	SPRUZZATORE VAPORE INOX TUBO D.10 4 FORI	S.STEEL STEAM SPRAYER D.10 4 HOLES	PULVERISATEUR VAPEUR D.10 4 FORI	INNENSPRITZDUSE D.10 4 FORI
3	12662	GUARNIZIONE ALL.SPRUZZATORE VAP.INOX D.10	ALUM.SEAL FOR ST.STEEL STEAM	JOINT ALU GICLEUR VAP. INOX D.10	ALUMINIUMDICHT.DAMPFSTR.EDELSTAHL D.10
4	15296001	GOMMINO ANTISCOTTAURA D.10	ANTI-BURNING RUBBER EL. FOR STEAM PIPE	ELEMENT ANTI-BRULURE POUR TUYAU VAP.D10	GUMMI GEGEN VERBRENNUNGEN F. DAMPFROHR
5	12661	GUARNIZIONE OR CON LUNETTA P.MOLLA	OR REST FOR ST.STEEL STEAM PIPE	OR LUNETTE P.RESSORT TUYAU VAP. INOX	HALBE OR-DICHT.F.FEDER DAMPFROHR ED
6	23260018	RONDELLA ELASTICA D-14,2 Sp.1	WASHER D-14,2	RONDELLE D-14,2	SCHEIBE D-14,2
7	10465001	MOLLA De 11,4 Df1,7 AISI 302	STEAM SPRING S.STEEL	RESSORT AISI	DAMPF HAHNFEDEN STAHL
8	12010	GUARNIZIONE TEFLON ACQUA/VAPORE 20x17x2	PIPE GASKET TEFLON 20x17x2	JOINT TUYAU TEFLON EAU/VAP TEFLON	TEFLON-DICHTUNG WASSER/VAP 20x17x2
9	25384004	DADO OTTONE RUBINETTO A LEVA -12-	BRASS NUT -12-	ECROU LAITON -12-	MESSING-MUTTER -12-
10	23292005	RONDELLA M24	BUSHEL M24	JOINT M24	DICHTUNG M24
11	20233018	RUBINETTO A LEVA -12-	LEVER STEAM TAP	ROBINET LEVIER	WASSERHAHN HEBEL
12	52000416	TUBO D-10 L.270	TUBE D-10 L.270	TUYAU D-10 L.270	ROHR D-10 L.270
13	52000751	TUBO D-8 L.310	TUBE D-8 L.310	TUYAU D-8 L.310	ROHR D-8 L.310
14	15259005	SOFFIETTO	BELLOWS Q 55X20X7	SOUFFLET	BALG
15	15259006	MANOPOLA RUBINETTO A LEVA	KNOB	POIGNEE	HANDGRIFF
16	15278056	MANOPOLA COMPLETA RUBINETTO A LEVA	FULL KNOB LEVER	BOUTON COMPLET ROBINET A LEVIER	VOLLKNOPF EINHEBEL MISCHER
17	25678050	RACCORDO 1/4M	CONNECTOR 1/4M	RACCORD 1/4M	ANSCHLUSS 1/4M
18	12204050	GUARNIZIONE OR	GASKET OR	JOINT OR	DICHTUNG OR
19	10452051	MOLLA PISTONCINO	SPRING	RESSORT	FEDER
20	25616050	PISTONCINO	PISTON	PISTON	KOLBEN
21	12204051	GUARNIZIONE	GASKET	JOINT	DICHTUNG
22	12204052	GUARNIZIONE	GASKET	JOINT	DICHTUNG
23	15191050	GUIDA TEFLON	GUIDE TEFLON	GLISSIERE TEFLON	SCHIENE TEFLON
24	25385052	PERNO RUBINETTO	PIN	PIVOT	STIFT
25	10452050	MOLLA	SPRING	RESSORT	FEDER
26	25385051	CAPPUCCIO SEDE MOLLA	HOOD SPRING SEAT	CHAPEAU SIEGE DU RESSORT	HOOD FEDERTELLER
27	25309050	ASTA RUBINETTO A LEVA	TAF SHAFT	TIGE ROBINET	HAHNSTANGE
28	25655050	RONDELLA SPESSORE DADO	BUSHEL	JOINT	DICHTUNG
29	25385050	DADO	NUT	ECROU	MUTTER
30	52000752	TUBO D-8 L.295	TUBE D-8 L.295	TUYAU D-8 L.295	ROHR D-8 L.295



Pos	Code	Denominazione - IT -	Denomination - EN -	Denomination - FR -	Denomination - DE -
1	25763302	ASS.TUBO VAPORE INOX	STEAM PIPE ASSEMBLY S.STEEL	TUYAU VAPEUR INOX	DAMPFROHRSATZ STAHL
2	25763009	TUBO VAPORE INOX D.10	STEAM PIPE ASSEMBLY D-10	TUYAU VAPEUR D-10	DAMPFROHRSATZ D-10
3	25763074	SPRUZZATORE VAPORE INOX TUBO D.10 4 FORI	S.STEEL STEAM SPRAYER D.10 4 HOLES	PULVERISATEUR VAPEUR D.10 4 FORI	INNENSPRITZDUSE D.10 4 FORI
4	12662	GUARNIZIONE ALL.SPRUZZATORE VAP.INOX D.10	ALUM.SEAL FOR ST.STEEL STEAM	JOINT ALU GICLEUR VAP. INOX D.10	ALUMINIUMDICHT.DAMPFSTR.EDELSTAHL D.10
5	12661	GUARNIZIONE OR CON LUNETTA P.MOLLA	OR REST FOR ST.STEEL STEAM PIPE	OR LUNETTE P.RESSORT TUYAU VAP. INOX	HALBE OR-DICHT.F.FEDER DAMPFROHR ED
6	23260018	RONDELLA ELASTICA D-14,2 Sp.1	WASHER D-14,2	RONDELLE D-14,2	SCHEIBE D-14,2
7	10465001	MOLLA De 11,4 Df1,7 AISI 302	STEAM SPRING S.STEEL	RESSORT AISI	DAMPF HAHNFEDEN STAHL
8	12010	GUARNIZIONE TEFLON ACQUA/VAPORE 20x17x2	PIPE GASKET TEFLON 20x17x2	JOINT TUYAU TEFLON EAU/VAP TEFLON	TEFLON-DICHTUNG WASSER/VAP 20x17x2
9	15296001	GOMMINO ANTISCOTTAURA D.10	ANTI-BURNING RUBBER EL. FOR STEAM PIPE	ELEMENT ANTI-BRULURE POUR TUYAU VAP.D10	GUMMI GEGEN VERBRENNUNGEN F. DAMPFROHR
10	52000443	TUBO D-10 L.270	TUBE D-10 L.270	TUYAU D-10 L.270	ROHR D-10 L.270
11	52000449	TUBO D-10 L.390	TUBE D-10 L.390	TUYAU D-10 L.390	ROHR D-10 L.390
12	25384	DADO OTTONE M26x1.5	BRASS NUT 26X1.5	ECROU LAITON 26X1.5	MESSING-MUTTER 26X1.5
13	23050	DADO OTTONE M3	BRASS NUT M3	ECROU LAITON M3	MESSING-MUTTER M3
14	12203	GUARNIZIONE HNBR 15x4x4	RUBBER GASKET 15x4x4	JOINT EN CAOUTCHOUC 15X4X4	GUMMIDICHTUNG 15x4x4
15	4925616	PISTONCINO RUBINETTO	TAP JUMPER	PISTON ROBINET	HAHNKOLBEN
16	25655052	DISCHETTO ASTA RUBINETTO	DISKETTE TAP ROS	DISQUETTE TIGE ROBINET	DISKETTE
17	10001	ANELLO ARRESTO D6 INOX	STEEL CIRCLIP	CIRCLIP INOX	STAHLHALTENRING
18	4625312	ASTA RUBINETTO CROMATA L139 CW510L/Cr	CHROMED TAP SHAFT	TIGE ROBINET CHROME	HAHNSTANGE CHROM
19	4925461	GHIERA RUBINETTO CW510L	TAP RING NUT CW510L	EMBOUT ROBINET CW510L	HAHNZWINGE CW510L
20	12158	GUARNIZIONE 26x20.5x2	GASKET 26x20.5x2	JOINT 26x20.5x2	DICHTUNG 26x20.5x2
21	4625678001	RACCORDO RUBINETTO CW510L	TAP FITTING CW510L	RACCORD ROBINET CW510L	HAHNANSCHLUSSTUCK CW510L
22	12204	GUARNIZIONE GOMMA RUBINETTO 12.5x7.5x9	TAP RUBBER GASKET 12.5x7.5x9	JOINT CAOUTCHOUC ROB. 12.5X7.5X9	HAHNDICHTUNG 12.5x7.5x9
23	25655	RONDELLA RUBINETTO	TAP WASHER	RONDELLE ROBINET	HAHNSCHEIBE
24	10452	MOLLA RUBINETTO ACQUA/VAPORE N4	WATER/STEAM TAP SPRING N4	RESSORT DE ROBINET EAU-VAPEUR N4	WASSER/DAMPF HAHNFEDER N4
25	25385001	DADO PREMISTOPPA RUBINETTO + RONDELLA	TAP STUFFING NUT	ECROU DE PRESSE-ETOUPE ROBINET	STOPFBUCHSE MUTTER - HAHN
26	4656104R	ASSIEME RUBINETTO ACQUA/VAPORE	WATER/STEAM TAP UNIT BODY	ENSEMBLE ROBINET EAU/VAPEUR	WASSER/DAMPF ROHRSATZ
27	8315029050R	KIT MANOPOLA	KNOB	POIGNEE	HAHNGRIFF
28	15029051	TAPPO MANOPOLA	CAP KNOB	BOUCHON POIGNEE	DECKEL HANDGRIFF

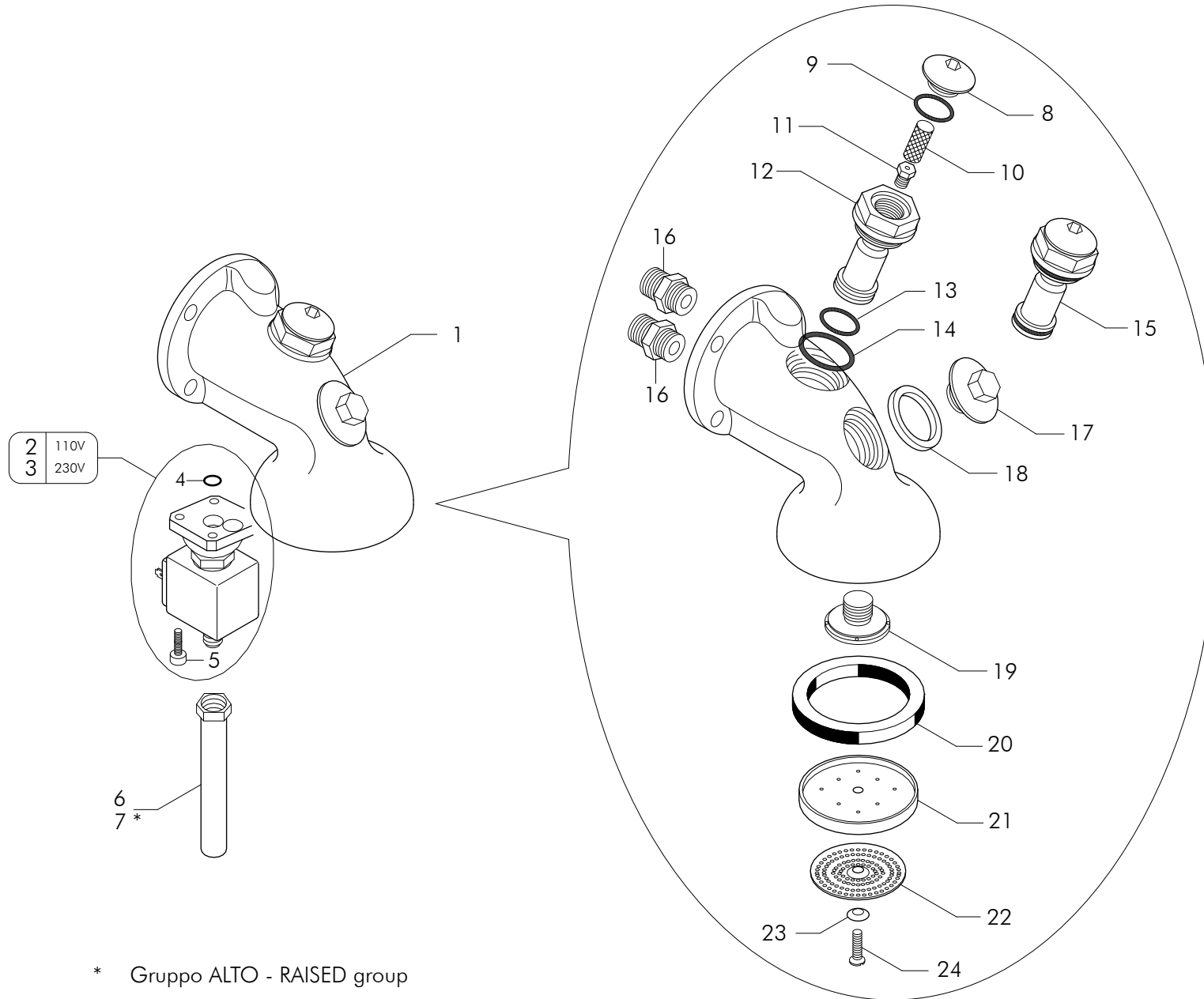


Pos	Code	Denominazione - IT -	Denomination - EN -	Denomination - FR -	Denomination - DE -
1	52000763	TUBO D-6 L.230	TUBE D-6 L.230	TUYAU D-6 L.230	ROHR D-6 L.230
2	52000409	TUBO D-8 L.265	TUBE D-8 L.265	TUYAU D-8 L.265	ROHR D-8 L.265
3	4625707	RACCORDO 1/8x1/4	CONNECTOR 1/8x1/4	RACCORD 1/8x1/4	ANSCHLUSS 1/8x1/4
4	12155	GUARNIZIONE RAME 8.5x5x1	COPPER GASKET 8.5X5X1	JOINT CU 8.5X5X1	CU DICHTUNG 8.5x5x1
5	10251001	FILTRO IN ACCIAIO D-8 Sp.0,3	STEEL FILTER D-8 - 0.3 THICK	FILTRE EN ACIER D-8 Ep.0,3	STAHLFILTER D-8 Sp.0,3
6	4618162005	ELETTROVALVOLA AEA 220-240V 50-60Hz VDE	SOL.VALVE WATER REFILL 220/240 50/60HZ	ELECTROVANNE REA 220/240V 50/60Hz VDE	ELEKTROVENTIL AWZ 230/250 V 50/60 Hz
6	4618195	ELETTROVALVOLA AEA 110-120V/50-60Hz CW510L	SOL.VALVE WATER REFILL 110/120V 50/60HZ	ELECTROVANNE REA 110/120V 50/60Hz NSF	ELEKTROVENTIL AWZ 110/120V 50/60HZ NSF
7	25782	TAPPO FEMMINA 1/4 GAS	1/4 GAS FEMALE TAP	BOUCHON FEMELLE 1/4 GAZ	INNENANSCHLUSSSTOPSEL 1/4 GAS
8	12007	GUARNIZIONE KLINGERSIL4400	KLINGERSIL4400 SEAL	JOINT KLINGERSIL4400	DICHTUNG KLINGER SIL4400
9	52003012	TUBO D-8 L.95	TUBE D-8 L.95	TUYAU D-8 L.95	ROHR D-8 L.95
10	52000412	TUBO D-8 L.130	TUBE D-8 L.130	TUYAU D-8 L.130	ROHR D-8 L.130
11	25763002	SPRUZZATORE ACQUA INOX FISSO	S.STEEL WATER NOZZLE	ATOMISEUR D' EAU INOX	WASSERDAMPFER
12	52000649	TUBO D-6 L.180	TUBE D-6 L.180	TUYAU D-6 L.180	ROHR D-6 L.180
13	18161986	ELETTROVALVOLA AEA UL 120V 60Hz	AEA SOLENOID VALVE 120V 60Hz UL	ELECTROVANNE AEA 120V 60Hz UL	ELEKTROVENTIL AEA 120V 60Hz UL
13	18161988	ELETTROVALVOLA AEA REGOL.230V 50Hz	AEA SOLENOID VALVE ADJUST.230V 50HZ	ELECTROVANNE AEA REGLAGE 230V 50Hz	ELEKTROVENTIL AEA EINSTELLUNG 230V 50Hz
14	52000644	TUBO D-8 L.390	TUBE D-8 L.390	TUYAU D-8 L.390	ROHR D-8 L.390



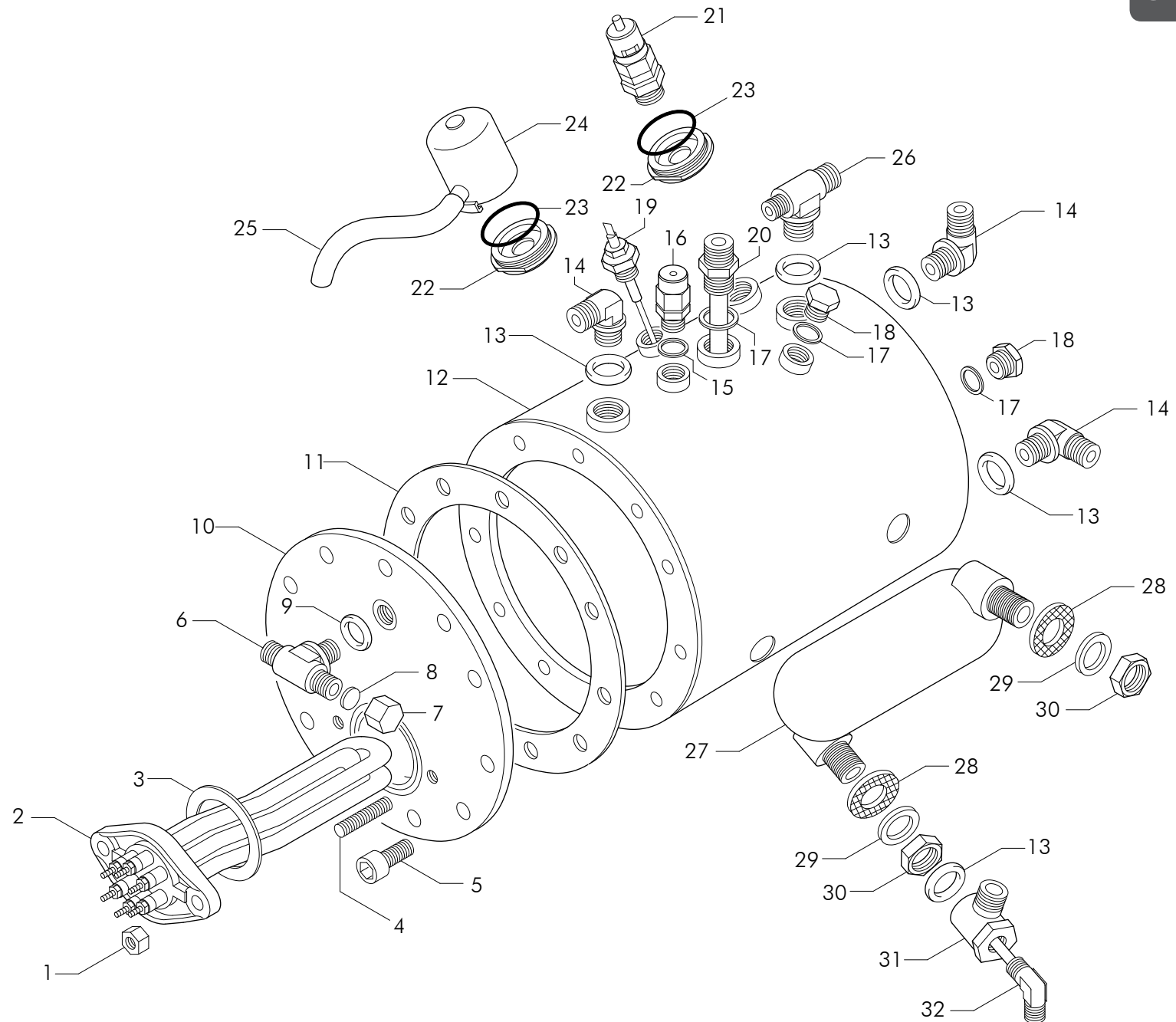
AUTOSTEAMER

Pos	Code	Denominazione - IT -	Denomination - EN -	Denomination - FR -	Denomination - DE -
1	25763152	KIT LANCIA-SONDA PER AUTOSTEAMER	KIT OF STEAM WAND+PROBE FOR AUTOSTEAMER	KIT LANCE+SONDE POUR AUTOSTEAMER	DAMPFROHR+SUNDE FUER AUTOM.DAMPF
2	20306001	SENSORE NTC K10 AUTOSTEAMER	SENSOR NTC AUTOSTEAMER	SENSOR NTC AUTOSTEAMER	SENSOR NTC AUTOSTEAMER
3	22715828	CABLAGGIO SONDA AUTOSTEAMER	CABLE PROBE AUTOMATIC STEAMER	CABLE FICHE VAPEUR AUTOMATIQUE	KABEL ME?SPITZE AUT.DAMPF
4	12661	GUARNIZIONE OR CON LUNETTA P.MOLLA	OR REST FOR ST.STEEL STEAM PIPE	OR LUNETTE P.RESSORT TUYAU VAP. INOX	HALBE OR-DICHT.F.FEDER DAMPFROHR ED
5	4625657	RONDELLA MOLLA VAPORE	STEAM SPRING WASHER	RONDELLE RESSORT VAPEUR	SCHEIBE FUR DAMPFEDER
6	10452	MOLLA RUBINETTO ACQUA/VAPORE N4	WATER/STEAM TAP SPRING N4	RESSORT DE ROBINET EAU-VAPEUR N4	WASSER/DAMPF HAHNFEDER N4
7	12010	GUARNIZIONE TEFLON ACQUA/VAPORE 20x17x2	PIPE GASKET TEFLON 20x17x2	JOINT TUYAU TEFLON EAU/VAP TEFLON	TEFLON-DICHTUNG WASSER/VAP 20x17x2
8	25384003	DADO 18x1.5 OTTONE RUBINETTO A LEVA	BRASS NUT 18x1.5	ECROU LAITON 18x1.5	MESSING-MUTTER 18x1.5
9	20233022	RUBINETTO AUTOSTEAMER	AUTOSTEAMER TAP	ROBINET AUTOSTEAMER	AUTOSTEAMER HAHN
10	15259006	MANOPOLA RUBINETTO A LEVA	KNOB	POIGNEE	HANDGRIFF
11	23055001	DADO ROMPIGETTO ES 14x27 OT/Cr	DIFFUSER NUT ES 14x27	ECROU BRISE-JET ES 14x27	MUTTER ES 14x27
12	23221002	PORTAGOMMA ES14 Cr SCARICO BACINELLA	HOSE CONNECTION ES14 Cr	PORTE-CAOUTCHOU ES14 Cr	GUMMIHALTER ES14 Cr
13	15056000	FASCETTA BIFILARE A MOLLA D.7,8-8,3	CLAMP D.7,8-8,3	COLLIER D.7,8-8,3	SHELLE D.7,8-8,3
14	15056001	FASCETTA BIFILARE A MOLLA D.8,8-9,3	CLAMP D.8,8-9,3	COLLIER D.8,8-9,3	SHELLE D.8,8-9,3
15	4823228018	RACCORDO DRITTO 1/8F + PORTAGOMMA	CONNECTOR 1/8F	RACCORD 1/8F	ANSCHLUSS 1/8F
16	15477011	TUBO SILICONE 5x8	SILICONE TUBE 5x8	TUYAU SILICONE 5x8	SILIKONROHR 5x8
17	15477012	TUBO SILICONE PLATINICO 3x7 Kg/mt 0,038	SILICONE TUBE 3X7	TUBE EN SILICONE 3x7 0.038 Kg/Mt	TUBO SILICONE PLATINICO 3x7 Kg/mt 0,038
18	4618161976	ELETTROVALVOLA 3VIE 1/4 D-3,2 230V	SOLENOID VALVE 1/4-3,2 230V/50 ETL4	ELECTROVANNE 1/4-3,2 230V ETL4	MAGNETVENTIL 1/4 D-3,2 230V ETL4
19	23203	RACCORDO OTT.GOM.D6.2 1/4x1/4 CON	ELBOW BRASS CONNECTOR D6.2 1/4X1/4	RACCORD COUDE LAITON D6.2 1/4X1/4	MESSING-ANSCHLUSS D6.2 1/4x1/4
20	52000755	TUBO D-8 L.125	TUBE D-8 L.125	TUYAU D-8 L.125	ROHR D-8 L.125
21	12153	GUARNIZIONE RAME 1/4 17x13.3x1.5	GASKET 1/4 17x13.3x1.5 COPPER	JOINT CUIVRE 1/4 17x13.3x1.5	KUPFERDICHTUNG 1/4 17x13.3x1.5
22	4625716	RACCORDO 3/8x1/4	3/8x1/4 FITTING	RACCORD 3/8x1/4	ANSCHLUSS 3/8x1/4
23	25763155	INTERFACCIA EV VAPORE-CORPO RUBINETTO INOX	INTERFACE STEAM SOLENOID VALVE-TAP BODY	INTERFACE ELECTROVANNE VAP.-CORPS	SCHNITTSTELLE DAMPFVENTIL-HAHNKORPER
24	52003074	TUBO D-8 L.35	TUBE D-8 L.35 SP46	TUYAU D-8 L.35 SP46	ROHR D-8 L.35 SP46
25	20358006	VALVOLA NON RITORNO IN PLASTICA	NON RETURN VALVE	SOUPAPE DE NON RETOUR	ABSPERRVENTIL
26	4823216	RACCORDO GOM.1/8M.CONICO+PORTAGOMMA D-6	CONICAL ELBOW CONNECTOR 1/8	RACCORD COUVE CONIQUE 1/8	KONISCHES FITTING 1/8
27	30499	REGOLATORE ARIA	AIR REGULATOR	REGULATEUR DE AIRE	REGLER
28	25789321	GICLEUR D.0,5 INOX	GICLEUR 0,5	GICLEUR D-0,5	DUSE D-0,5
29	26319010	MICROPOMPA NMP 830 KNDC 24VDC	MICROPUMP NMP 830 KNDC 24VDC	POMPE MICRO NMP 830 KNDC 24VDC	MIKROPUMPE NMP 830 KNDC 24VDC
30	15105	GOMMA AMMORTIZZATORE	RUBBER FOR MOTOR	CAOUTCHOU POUR MOTEUR	GUMMI x MOTOR
31	18563006	TRASFORMATORE TOROIDALE 20VA 2x12V	TRANSFORMATOR 20VA	TRASFORMATOR 20VA	TRANSFORMATOR 20VA
32	18080006	CENTRALINA DOPPIO CTR.POMP. INGRANAGGI	GEAR PUMP CONTROL	CENTRALE DE CONTROLE DE POMPE	PUMPE-STEUERGERAT
33	19109001	FUSIBILE 3AG-T1A CSA/UL 6.3x32mm	FUSE 3AG-T1A CSA/UL 6.3x32mm	FUSIBLE 3AG-T1A CSA/UL 6.3x32mm	SCHMELZSICH.3AG-T1A CSA/UL 6.3x32mm
34	19123	PORTAFUSIBILE 15A 250V UR CSA	FUSE HOLDER 15A	PORTE-FUSIBLE 15A	SICHERUNGSHALTER 15A
35	15278056	MANOPOLA COMPLETA RUBINETTO A LEVA	FULL KNOB LEVER	BOUTON COMPLET ROBINET A LEVIER	VOLLKNOPF EINHEBEL MISCHER



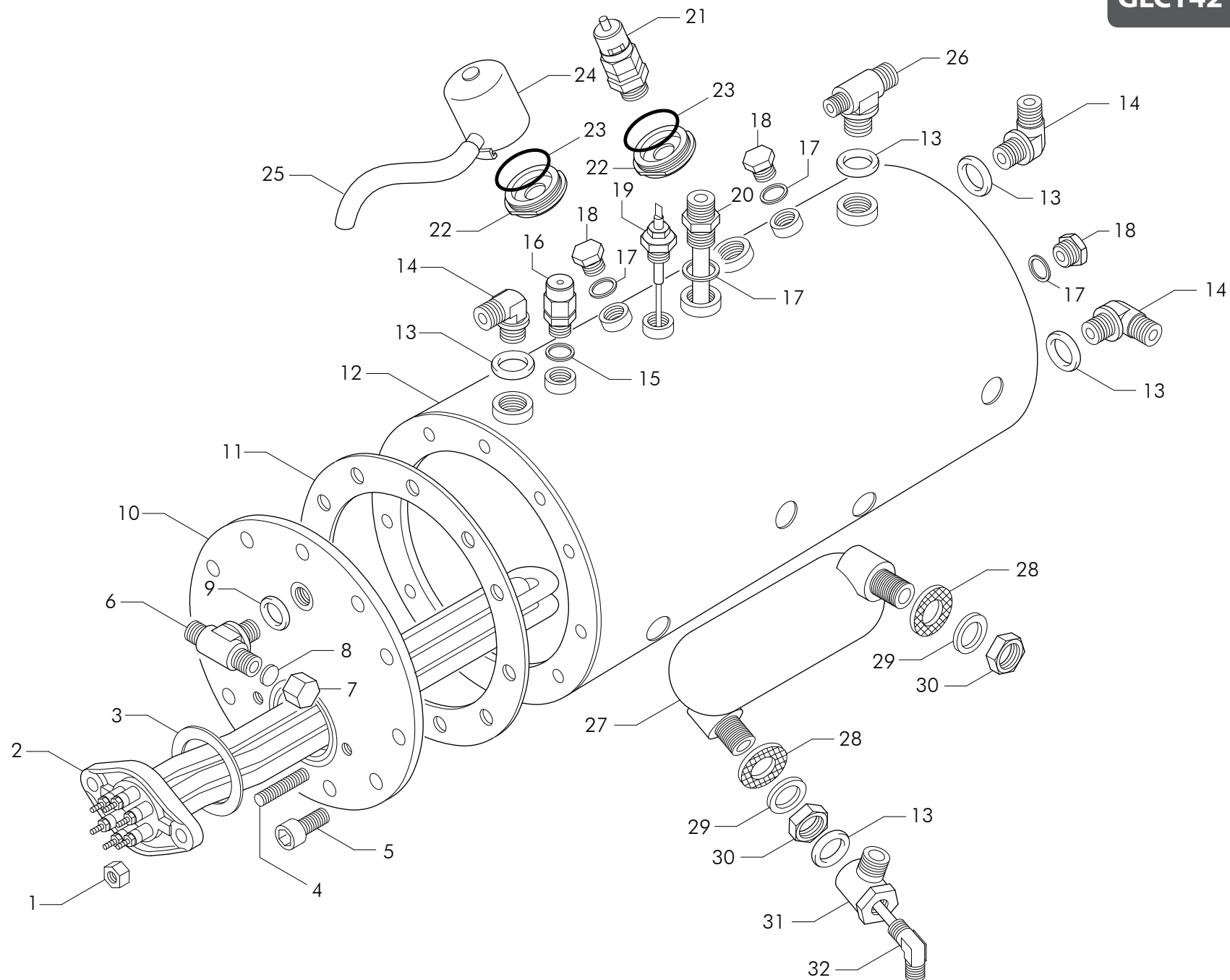
* Gruppo ALTO - RAISED group

Pos	Code	Denominazione - IT -	Denomination - EN -	Denomination - FR -	Denomination - DE -
1	4856082106	GRUPPO CTS 2003 NEUTRO	NEUTRAL CTS GROUP 2003	GROUPE CTS 2003 NEUTRE	GRUPPE CTS 2003 NEUTRAL
2	834718181015R	KIT ELETTROVALVOLA GRUPPO 110-120V NSF	KIT GROUP SOLENOID VALVE 110-120V NSF	KIT ELECTROVANNE GROUPE 110-120V NSF	KIT MAGNETVENTIL GRUPPE 110-120V NSF
3	834918151R	KIT ELETTROVALVOLA GRUPPO 230V	GROUP SOLENOID VALVE 230V KIT	KIT ELECTROVANNE GROUPE 230V	MAGNETVENTIL GRUPPE KIT 230V
4	12305	GUARNIZIONE OR	O RING	JOINT OR	O-RINGDICHT
5	23551	VITE TCEI INOX 4x12	STEEL SCREW TCCE 4x12	VIS INOX TCCE 4x12	STAHLSCRAUBE TCCE 4x12
6	52000168	TUBO D-12 L.92	TUBE D-12 L.92	TUYAU D-12 L.92	ROHR D-12 L.92
7	52000194	TUBO D-12 L.132	TUBE D-12 L.132	TUYAU D-12 L.132	ROHR D-12 L.132
8	4825789306	TAPPO PORTA GIGLEUR GRUPPO CTS 03	CAP GROUP JET	BOUCHON GIGLEUR	STOPFEN EINSPRITZDUSE FUER GRUPPE
9	12336000	GUARNIZIONE ORM 0170-30 NBR Di17x3	GASKET ORM 0170-30 HNBR 70Sh	JOINT ORM 0170-30 HNBR 70Sh	DICHTUNG ORM 0170-30 HNBR 70Sh
10	10253	FILTRO GIGLER	JET FILTER	FILTRE GIGLEUR	DUSE FILTER
11	4810300001	GIGLER OTTONE PER GRUPPO D. 0,7	BRASS GROUP JET D 0.7	GIGLEUR LAITON POUR GROUPE D 0.7	VERMESSINGTE GRUPPENDUSE D 0.7
12	4825739502	PORTAGIGLER GRUPPO CTS 03	NOZZLE HOLDER GROUP CTS 03	PORTE-GIGLEUR GROUPE CTS 03	DUSEHALTER GRUPPE CTS 03
13	12300026	GUARNIZIONE OR	O RING GASKET	JOINT OR	OR DICHTUNG
14	12336001	GUARNIZIONE NBR Di25x4	GASKET NBR Di 25x4	JOINT NBR Di 25x4	DICHTUNG NBR Di 25x4
15	4856130001	ASSIEME PORTAGIGLER GRUPPO CTS 03	NOZZLE HOLDER GROUP CTS 03	PORTE-GIGLEUR GROUPE CTS 03	DUSEHALTER GRUPPE CTS 03R
16	4825687002	RACCORDO 3/8x3/8 GAS GRP CTS 03	CONNECTOR 3/8x3/8 CTS 03 UNIT	RACCORD 3/8x3/8 GR. CTS 03	ANSCHLUSS 3/8x3/8 CTS 03
17	4825789305	TAPPO CAMERA PREINFUSIONE GR CTS03	CAP GROUP JET	BOUCHON GIGLEUR	STOPFEN EINSPRITZDUSE
18	12012006	GUARNIZIONE TEFLON 33x28x4 GRUPPO CTS 03	GASKET TEFLON 33x28x4 GROUP CTS 03	JOINT TEFLON 33x28x4 GROUPE CTS 03	TEFLON DICHTUNG 33x28x4 GRUPPE CTS 03
19	4825422008	DIFFUSORE GRUPPO CTS	GROUP DIFFUSER	DIFFUSEUR GROUPE	GRUPPE VERTEILER
20	12215	GUARN.GOMMA S.COPPA 72x56x8.5 MAGGIOR.	LARGER SIZED FILTER SUPPORT RUBBER	JOINT CAOUTCHOUK SOUCOUPE 72x56x8.5	FILTERHALTER-GUMMIDICH. 72x56x8.5 GROSS
20	12217	GUARN.GOMMA S.COPPA 72x56x8 NORMALE	STANDARD SIZE FILTER SUPPORT GASKET	JOINT CAOUTCHOUK SOUCOUPE 72x56x8 N	FILTERHALTER-GUMMIDICH.72x56x8 NORMAL
21	4825627	PORTADOCETTA GRUPPO EROGAZIONE	WATER SPOUT UNIT SUPPORT	PORTE-DOUCHETTE GROUPE DISTRIBUTION	DUSCHTRAGER VERSORGUNGSEINHEIT
22	27100	DOCETTA GRUPPO	GROUP SHOWER PLATE	DOUCHETTE GROUPE	DUSCHE VERTEILEREINHEIT
23	23260014	RONDELLA INOX 12x5	INOX WASHER 12X5	RONDELLE INOX 12x5	STAHL SCHEIBE 12x5
24	23514	VITE TPS INOX 5x20 TAGLIO CACC.	5x20 STAINLESS STEEL FLATHEAD SCREW	VIS TPS INOX 5x20 DE TOURNEVIS	SCHRAUBE TPS rostfrei5x20 SCHRAUBEN



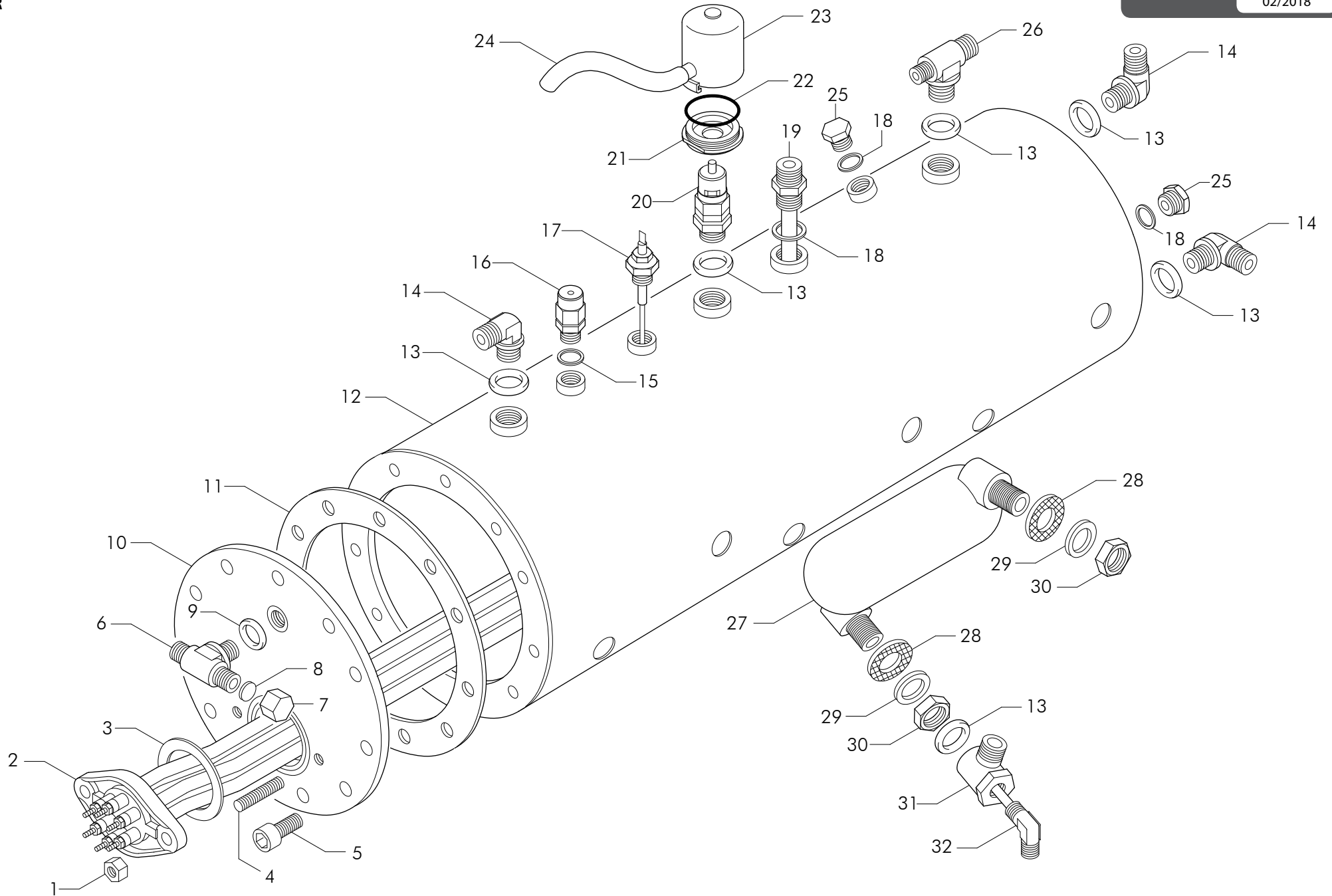
1GR

Pos	Code	Denominazione - IT -	Denomination - EN -	Denomination - FR -	Denomination - DE -
1	23049	DADO OTTONE M8	BRASS NUT M8	ECROU LAITON M8	MESSING-SCHRAUBENMUTTER M8
2	4617001	RESISTENZA 1GR 4P 120V 2000W	HEATING ELEMENT 1GR 110V-2000W	RESISTANCE 1GR 110V2000W	HEIZKORPER 1 GR 110V 2000W
2	4617012	RESISTENZA 1GR 6P 230/240V 2700/2940W	HEATING ELEM. 1GR 230/240V 2700/2940W	RESISTANCE 1GR 230/240V 2700/2940W	HEIZKORPER 1GR 230/240V 2700/2940W
3	12001	GUARNIZIONE TEFLON 58x43x2	TEFLON GASKET 58x43x2	JOINT TEFLON 58x43x2	TEFLON DICHTUNG 58x23x2
4	23133	PRIGIONIERO INOX 8x40	STAINLESS STEEL BOLT 8x40	VIS INOX 8x40	STAHLSCHRAUBE 8x40 8x40
5	23556	VITE TCEI INOX 10x20	STEEL SCREW TCCE 10X20	VIS INOX TCCE 10X20	STAHLSCHRAUBE TCCE 10x20
6	4943060	RACCORDO -T- 1/4x1/4x1/4	'T' CONNECTOR 1/4x1/4x1/4 CW510L	RACCORD 'T' 1/4x1/4x1/4 CW510L	T'-ANSCHLUSS 1/4X1/4X1/4 CW510L
7	25782	TAPPO FEMMINA 1/4 GAS	1/4 GAS FEMALE TAP	BOUCHON FEMELLE 1/4 GAZ	INNENANSCHLUSSSTOPSEL 1/4 GAS
8	12007	GUARNIZIONE KLINGERSIL4400	KLINGERSIL4400 SEAL	JOINT KLINGERSIL4400	DICHTUNG KLINGER SIL4400
9	12100	GUARNIZIONE CU/ALIM 1/4 18.7x13.2x2.5	CU GASKET 1/4 18.7X13.2X2.5	JOINT CU 1/4 18.7X13.2X2.5	CU DICHTUNG 1/4 18.7x13.2x2.5
10	53011	FLANGIA	FLANGE	BRIDE	FLANSCH
11	12003	GUARNIZIONE CALDAIA	BOILER GASKET	JOINT CHAUDIERE	KESSELDICHTUNG
12	62020007	CALDAIA 1GR CTS	1GR CTS BOILER	CHAUDIERE 1GR CTS	KESSEL 1GR CTS
13	12101	GUARNIZIONE RAME 3/8 22x17x3	GASKET COPPER 3/8 22x17x3	JOINT CUIVRE 3/8 22x17x3	KUPFERDICHTUNG 3/8 22x17x3
14	4643052	RACCORDO "L" 3/8	CONNECTOR 'L' 3/8	RACCORD 'L' 3/8	ANSCHLUSS 'L' 3/8
15	12153	GUARNIZIONE RAME 1/4 17x13.3x1.5	GASKET 1/4 17x13.3x1.5 COPPER	JOINT CUIVRE 1/4 17x13.3x1.5	KUPFERDICHTUNG 1/4 17x13.3x1.5
16	56150	VALVOLA ANTIRISUCCHIO V.A.R.	ANTI-EDDY VALVE V.A.R.	SOUPAPE ANTI-DEPRESSION V.A.R.	VENTIL UNTERDRUCKFREI V.A.R.
17	12154	GUARNIZIONE CU 3/8 22x17x1.5	GASKET COPPER 3/8 22x17x1,5	JOINT CUIVRE 3/8 22x17x1.5	KUPFERDICHTUNG 3/8 22x17x1.5
18	4625785	TAPPO MASCHIO 3/8	MALE CAP 3/8	BOUCHON MALE 3/8	STOPFEN 3/8
19	4820251	SONDA LIVELLO L.125	LEVEL PROBE L.125	JAUG L.125	PEGELFUHLER L.125
20	52001612	TUBO D-10 L.115	TUBE D-10 L.115	TUYAU D-10 L.115	ROHR D-10 L.115
21	20352	VALVOLA DI SICUREZZA *CE*	*CE* SAFETY VALVE	SOUPAPE DE SECURITE *CE*	SICHERHEITSVENTIL *CE*
22	15006001	FLANGIA VALVOLA SICUREZZA	FLANGE VALVE	JOINT VANNE	FLANSCH VENTIL
23	12300000	GUARNIZIONE OR	GASKET O RING	JOINT OR	OR DICHTUNG
24	56009980	ASSIEME PROTEZIONE VALVOLE SICUREZZA	UNIT PROTECTION VALVE	ENSEMBLE PROTECTION VANNE	SATZ-SCHUTZGITTER VENTIL
25	15478002	TUBO SILICONE 8x11 L.70cm	SILICONE TUBE 8x11 L.70cm	TUYAU SILICONE 8x11 L.70cm	SILIKONROHR 8x11 L.70cm
26	4943033	RACCORDO "T" 3/8x3/8x1/4 CW510L	3/8x3/8x1/4 T FITTING	RACCORD "T" 3/8x3/8x1/4	ANSCHLUSS 3/8x3/8x1/4 T
27	63200002	SCAMBIATORE CIRC.TERMOSIFONICA D-80	EXCHANGER WITH THERMOSIPH.CIRCULATI D-80	ECHANG. CIRCUL. A THERMOSIPHON D-80	AUSTAUSCHER MIT ROHREN D-80
28	12005	GUARNIZIONE 28x17x2	GASKET 28X17X2	JOINT 28X17X2	DICHTUNG 28x17x2
29	25651	RONDELLA OTTONE 3/8	BRASS WASHER 3/8	RONDELLE LAITON 3/8	MESSINGSCHLEIBE 3/8
30	25356	CONTRODADO OTTONE 3/8	BRASS LOCK NUT 3/8	CONTRE-ECROU LAITON 3/8	MESSING-GEGENMUTTER 3/8
31	43030001	RACCORDO INIETTORE 3/8Fx3/8Mx14F	3/8Fx3/8Mx14F INJECTOR FITTING	RACC. INJECTEUR 3/8Fx3/8Mx14F	ANSCHLUSS EINSPRITZER 3/8Fx3/8Mx14F
32	52000410	TUBO D-6 L.85	TUBE D-6 L.85	TUYAU D-6 L.85	ROHR D-6 L.85



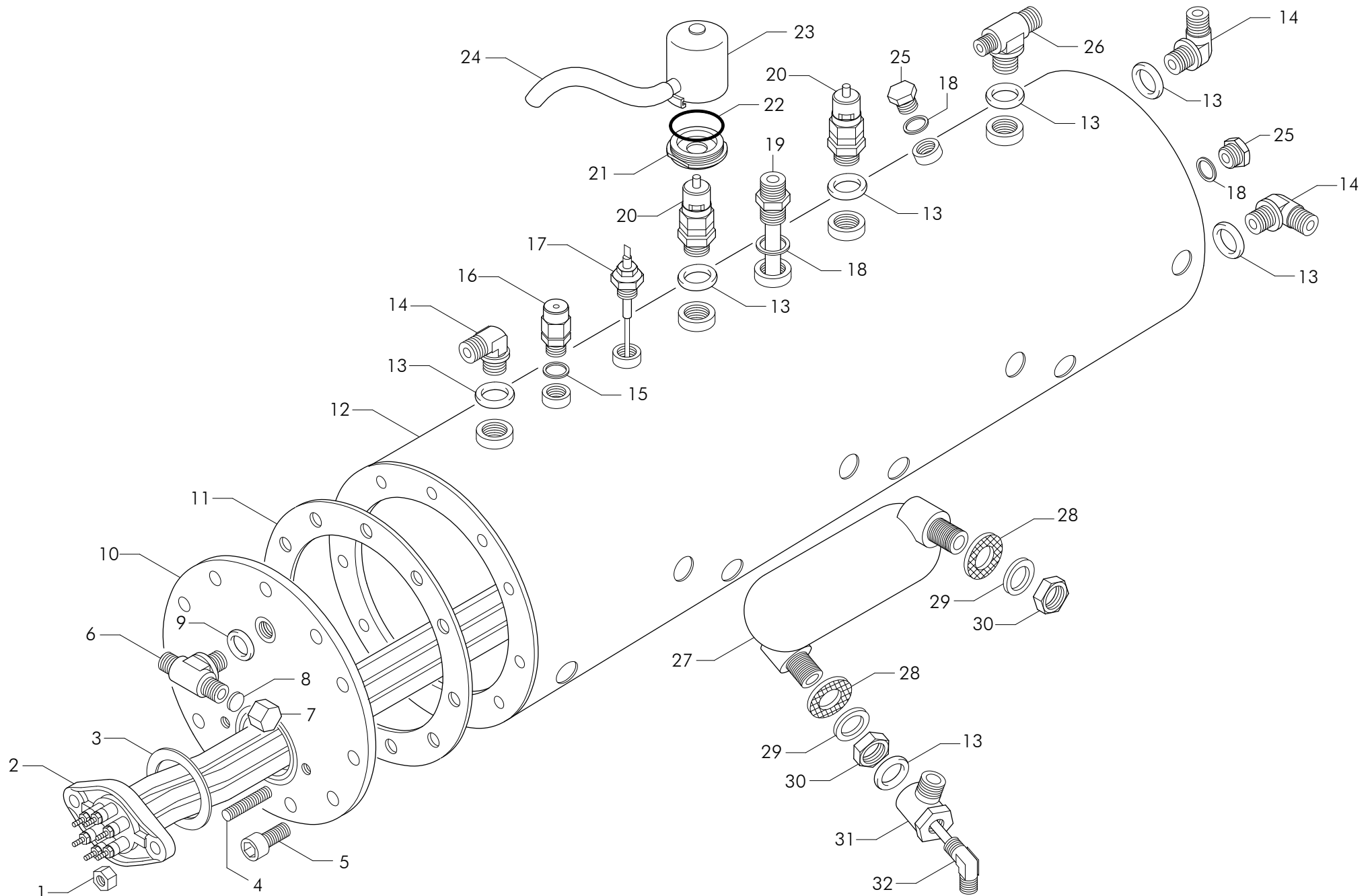
2GR

Pos	Code	Denominazione - IT -	Denomination - EN -	Denomination - FR -	Denomination - DE -
1	23049	DADO OTTONE M8	BRASS NUT M8	ECROU LAITON M8	MESSING-SCHRAUBENMUTTER M8
2	4617050	RESISTENZA 2GR 4P 120V 2600W	HEATING ELEM. 2GR 4P 120V 2600W	RESISTANCE 2GR 4P 120V 2600W	HEIZKORPER 2GR 4P 120V 2600W
2	4617059	RESISTENZA 2GR 6P 230/240V 3400/3700W	HEATING ELEM. 2GR 220/240V 3400/3700W	RESISTANCE 2GR 220/240V 3400/3700W	HEIZKORPER 2GR 220/240V 3400/3700W
3	12001	GUARNIZIONE TEFLON 58x43x2	TEFLON GASKET 58x43x2	JOINT TEFLON 58x43x2	TEFLON DICHTUNG 58x23x2
4	23133	PRIGIONIERO INOX 8x40	STAINLESS STEEL BOLT 8x40	VIS INOX 8x40	STAHLSCHRAUBE 8x40 8x40
5	23556	VITE TCEI INOX 10x20	STEEL SCREW TCCE 10X20	VIS INOX TCCE 10X20	STAHLSCHRAUBE TCCE 10x20
6	4943060	RACCORDO -T- 1/4x1/4x1/4	'T' CONNECTOR 1/4x1/4x1/4 CW510L	RACCORD 'T' 1/4x1/4x1/4 CW510L	T' -ANSCHLUSS 1/4X1/4X1/4 CW510L
7	25782	TAPPO FEMMINA 1/4 GAS	1/4 GAS FEMALE TAP	BOUCHON FEMELLE 1/4 GAZ	INNENANSCHLUSSSTOPSEL 1/4 GAS
8	12007	GUARNIZIONE KLINGERSIL4400	KLINGERSIL4400 SEAL	JOINT KLINGERSIL4400	DICHTUNG KLINGER SIL4400
9	12100	GUARNIZIONE CU/ALIM 1/4 18.7x13.2x2.5	CU GASKET 1/4 18.7X13.2X2.5	JOINT CU 1/4 18.7X13.2X2.5	CU DICHTUNG 1/4 18.7x13.2x2.5
10	53011	FLANGIA	FLANGE	BRIDE	FLANSCH
11	12003	GUARNIZIONE CALDAIA	BOILER GASKET	JOINT CHAUDIERE	KESSELDICHTUNG
12	62143004	CALDAIA 2GR CTS AEA	2GR CTS AEA BOILER	CHAUDIERE 2GR CTS AEA	KESSEL 2GR CTS AEA
13	12101	GUARNIZIONE RAME 3/8 22x17x3	GASKET COPPER 3/8 22x17x3	JOINT CUIVRE 3/8 22x17x3	KUPFERDICHTUNG 3/8 22x17x3
14	4643052	RACCORDO "L" 3/8	CONNECTOR 'L' 3/8	RACCORD 'L' 3/8	ANSCHLUSS 'L' 3/8
15	12153	GUARNIZIONE RAME 1/4 17x13.3x1.5	GASKET 1/4 17x13.3x1.5 COPPER	JOINT CUIVRE 1/4 17x13.3x1.5	KUPFERDICHTUNG 1/4 17x13.3x1.5
16	56150	VALVOLA ANTIRISUCCHIO V.A.R.	ANTI-EDDY VALVE V.A.R.	SOUPAPE ANTI-DEPRESSION V.A.R.	VENTIL UNTERDRUCKFREI V.A.R.
17	12154	GUARNIZIONE CU 3/8 22x17x1.5	GASKET COPPER 3/8 22x17x1,5	JOINT CUIVRE 3/8 22x17x1.5	KUPFERDICHTUNG 3/8 22x17x1.5
18	4625785	TAPPO MASCHIO 3/8	MALE CAP 3/8	BOUCHON MALE 3/8	STOPFEN 3/8
19	4820251	SONDA LIVELLO L.125	LEVEL PROBE L.125	JAUG L.125	PEGELFUHLER L.125
20	52001612	TUBO D-10 L.115	TUBE D-10 L.115	TUYAU D-10 L.115	ROHR D-10 L.115
21	20352	VALVOLA DI SICUREZZA *CE*	*CE* SAFETY VALVE	SOUPAPE DE SECURITE *CE*	SICHERHEITSVENTIL *CE*
22	15006001	FLANGIA VALVOLA SICUREZZA	FLANGE VALVE	JOINT VANNE	FLANSCH VENTIL
23	12300000	GUARNIZIONE OR	GASKET O RING	JOINT OR	OR DICHTUNG
24	56009980	ASSIEME PROTEZIONE VALVOLE SICUREZZA	UNIT PROTECTION VALVE	ENSEMBLE PROTECTION VANNE	SATZ-SCHUTZGITTER VENTIL
25	15478002	TUBO SILICONE 8x11 L.70cm	SILICONE TUBE 8x11 L.70cm	TUYAU SILICONE 8x11 L.70cm	SILIKONROHR 8x11 L.70cm
26	4943033	RACCORDO "T" 3/8x3/8x1/4 CW510L	3/8x3/8x1/4 T FITTING	RACCORD "T" 3/8x3/8x1/4	ANSCHLUSS 3/8x3/8x1/4 T
27	63200002	SCAMBIATORE CIRC.TERMOSIFONICA D-80	EXCHANGER WITH THERMOSIPH.CIRCULATI D-80	ECHANG. CIRCUL. A THERMOSIPHON D-80	AUSTAUSCHER MIT ROHREN D-80
28	12005	GUARNIZIONE 28x17x2	GASKET 28X17X2	JOINT 28X17X2	DICHTUNG 28x17x2
29	25651	RONDELLA OTTONE 3/8	BRASS WASHER 3/8	RONDELLE LAITON 3/8	MESSINGSCHLEIBE 3/8
30	25356	CONTRODADO OTTONE 3/8	BRASS LOCK NUT 3/8	CONTRE-ECROU LAITON 3/8	MESSING-GEGENMUTTER 3/8
31	43030001	RACCORDO INIETTORE 3/8Fx3/8Mx14F	3/8Fx3/8Mx14F INJECTOR FITTING	RACC. INJECTEUR 3/8Fx3/8Mx14F	ANSCHLUSS EINSPRITZER 3/8Fx3/8Mx14F
32	52000410	TUBO D-6 L.85	TUBE D-6 L.85	TUYAU D-6 L.85	ROHR D-6 L.85



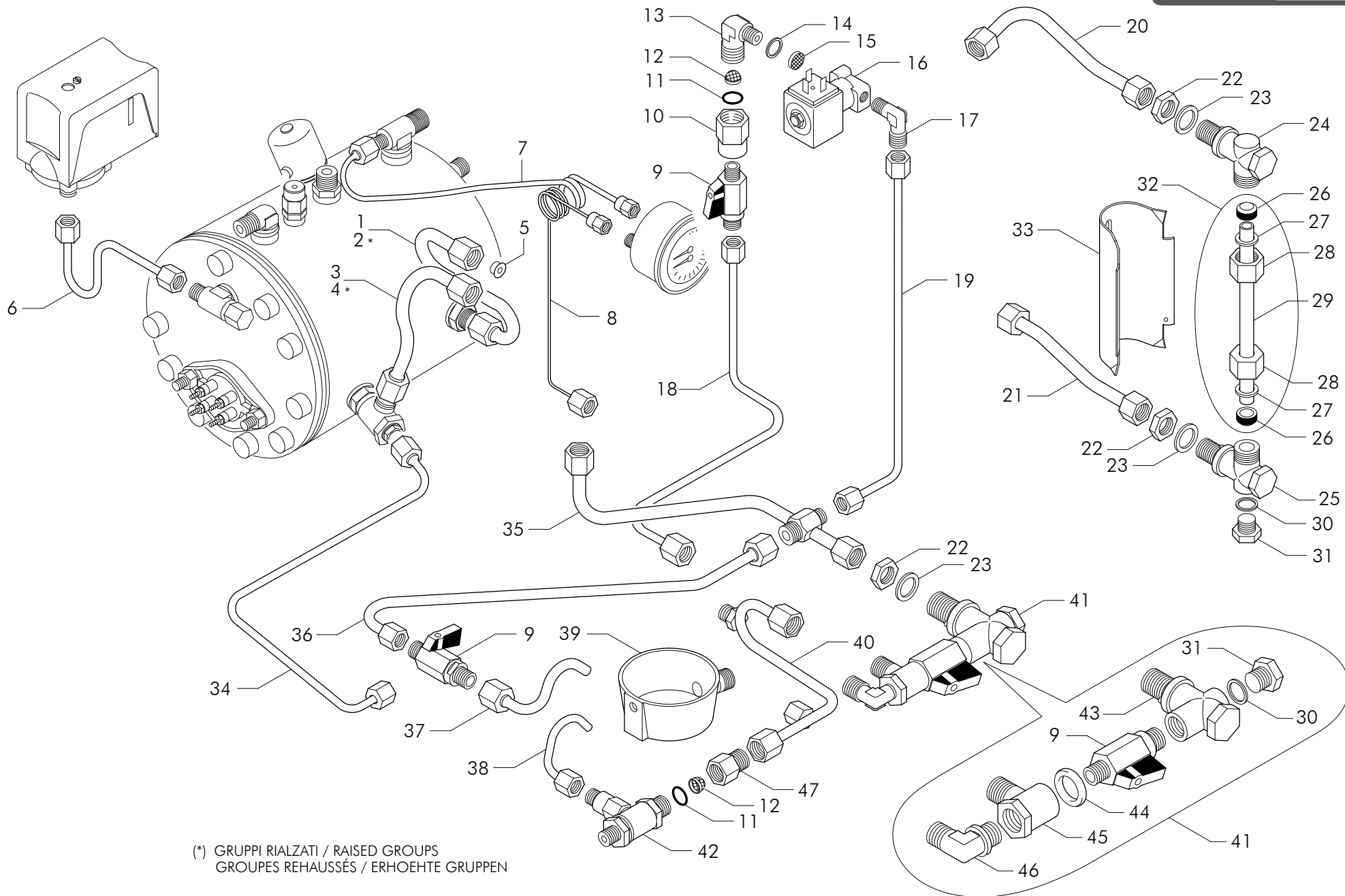
3GR

Pos	Code	Denominazione - IT -	Denomination - EN -	Denomination - FR -	Denomination - DE -
1	23049	DADO OTTONE M8	BRASS NUT M8	ECROU LAITON M8	MESSING-SCHRAUBENMUTTER M8
2	4617107	RESISTENZA 3GR 6P 230/240V 5000/5440W	HEATING ELEM. 3GR 220/240V 5000/5440	RESISTANCE 3GR 220/240V 5000/5440W	HEIZKORPER 3GR 220/240V 5000/5440W
3	12001	GUARNIZIONE TEFLON 58x43x2	TEFLON GASKET 58x43x2	JOINT TEFLON 58x43x2	TEFLON DICHTUNG 58x23x2
4	23133	PRIGIONIERO INOX 8x40	STAINLESS STEEL BOLT 8x40	VIS INOX 8x40	STAHLSCHRAUBE 8x40 8x40
5	23556	VITE TCEI INOX 10x20	STEEL SCREW TCCE 10X20	VIS INOX TCCE 10X20	STAHLSCHRAUBE TCCE 10x20
6	4943060	RACCORDO -T- 1/4x1/4x1/4	'T' CONNECTOR 1/4x1/4x1/4 CW510L	RACCORD 'T' 1/4x1/4x1/4 CW510L	T'-ANSCHLUSS 1/4X1/4X1/4 CW510L
7	25782	TAPPO FEMMINA 1/4 GAS	1/4 GAS FEMALE TAP	BOUCHON FEMELLE 1/4 GAZ	INNENANSCHLUSSSTOPSEL 1/4 GAS
8	12007	GUARNIZIONE KLINGERSIL4400	KLINGERSIL4400 SEAL	JOINT KLINGERSIL4400	DICHTUNG KLINGER SIL4400
9	12100	GUARNIZIONE CU/ALIM 1/4 18.7x13.2x2.5	CU GASKET 1/4 18.7X13.2X2.5	JOINT CU 1/4 18.7X13.2X2.5	CU DICHTUNG 1/4 18.7x13.2x2.5
10	53011	FLANGIA	FLANGE	BRIDE	FLANSCH
11	12003	GUARNIZIONE CALDAIA	BOILER GASKET	JOINT CHAUDIERE	KESSELDICHTUNG
12	62250005	CALDAIA 3GR CTS	3GR CTS BOILER	CHAUDIERE 3GR CTS	KESSEL 3GR CTS
13	12101	GUARNIZIONE RAME 3/8 22x17x3	GASKET COPPER 3/8 22x17x3	JOINT CUIVRE 3/8 22x17x3	KUPFERDICHTUNG 3/8 22x17x3
14	4643052	RACCORDO "L" 3/8	CONNECTOR 'L' 3/8	RACCORD 'L' 3/8	ANSCHLUSS 'L' 3/8
15	12153	GUARNIZIONE RAME 1/4 17x13.3x1.5	GASKET 1/4 17x13.3x1.5 COPPER	JOINT CUIVRE 1/4 17x13.3x1.5	KUPFERDICHTUNG 1/4 17x13.3x1.5
16	56150	VALVOLA ANTIRISUCCHIO V.A.R.	ANTI-EDDY VALVE V.A.R.	SOUPAPE ANTI-DEPRESSION V.A.R.	VENTIL UNTERDRUCKFREI V.A.R.
17	4820251	SONDA LIVELLO L.125	LEVEL PROBE L.125	JAUG L.125	PEGELFUHLER L.125
18	12154	GUARNIZIONE CU 3/8 22x17x1.5	GASKET COPPER 3/8 22x17x1,5	JOINT CUIVRE 3/8 22x17x1.5	KUPFERDICHTUNG 3/8 22x17x1.5
19	52001612	TUBO D-10 L.115	TUBE D-10 L.115	TUYAU D-10 L.115	ROHR D-10 L.115
20	20352	VALVOLA DI SICUREZZA *CE*	*CE* SAFETY VALVE	SOUPAPE DE SECURITE *CE*	SICHERHEITSVENTIL *CE*
21	15006001	FLANGIA VALVOLA SICUREZZA	FLANGE VALVE	JOINT VANNE	FLANSCH VENTIL
22	12300000	GUARNIZIONE OR	GASKET O RING	JOINT OR	OR DICHTUNG
23	56009980	ASSIEME PROTEZIONE VALVOLE SICUREZZA	UNIT PROTECTION VALVE	ENSEMBLE PROTECTION VANNE	SATZ-SCHUTZGITTER VENTIL
24	15478002	TUBO SILICONE 8x11 L.70cm	SILICONE TUBE 8x11 L.70cm	TUYAU SILICONE 8x11 L.70cm	SILIKONROHR 8x11 L.70cm
25	4625785	TAPPO MASCHIO 3/8	MALE CAP 3/8	BOUCHON MALE 3/8	STOPFEN 3/8
26	4943033	RACCORDO "T" 3/8x3/8x1/4 CW510L	3/8x3/8x1/4 T FITTING	RACCORD "T" 3/8x3/8x1/4	ANSCHLUSS 3/8x3/8x1/4 T
27	63200002	SCAMBIATORE CIRC.TERMOSIFONICA D-80	EXCHANGER WITH THERMOSIPH.CIRCULATI D-80	ECHANG. CIRCUL. A THERMOSIPHON D-80	AUSTAUSCHER MIT ROHREN D-80
28	12005	GUARNIZIONE 28x17x2	GASKET 28X17X2	JOINT 28X17X2	DICHTUNG 28x17x2
29	25651	RONDELLA OTTONE 3/8	BRASS WASHER 3/8	RONDELLE LAITON 3/8	MESSINGSCHLEIBE 3/8
30	25356	CONTRODADO OTTONE 3/8	BRASS LOCK NUT 3/8	CONTRE-ECROU LAITON 3/8	MESSING-GEGENMUTTER 3/8
31	43030001	RACCORDO INIETTORE 3/8Fx3/8Mx14F	3/8Fx3/8Mx14F INJECTOR FITTING	RACC. INJECTEUR 3/8Fx3/8Mx14F	ANSCHLUSS EINSPRITZER 3/8Fx3/8Mx14F
32	52000410	TUBO D-6 L.85	TUBE D-6 L.85	TUYAU D-6 L.85	ROHR D-6 L.85



4GR

Pos	Code	Denominazione - IT -	Denomination - EN -	Denomination - FR -	Denomination - DE -
1	23049	DADO OTTONE M8	BRASS NUT M8	ECROU LAITON M8	MESSING-SCHRAUBENMUTTER M8
2	4617153	RESISTENZA 4GR 6P 230/240V 6000/6530W	HEATING EL. 4GR 220/240V 6530W 6P	RESISTANCE 4GR 220/240V 6530W 6P	HEIZKORPER 4GR 220/240V 6530W 6P
3	12001	GUARNIZIONE TEFLON 58x43x2	TEFLON GASKET 58x43x2	JOINT TEFLON 58x43x2	TEFLON DICHTUNG 58x23x2
4	23133	PRIGIONIERO INOX 8x40	STAINLESS STEEL BOLT 8x40	VIS INOX 8x40	STAHLSCHRAUBE 8x40 8x40
5	23556	VITE TCEI INOX 10x20	STEEL SCREW TCCE 10X20	VIS INOX TCCE 10X20	STAHLSCHRAUBE TCCE 10x20
6	4943060	RACCORDO -T- 1/4x1/4x1/4	'T' CONNECTOR 1/4x1/4x1/4 CW510L	RACCORD 'T' 1/4x1/4x1/4 CW510L	T'-ANSCHLUSS 1/4X1/4X1/4 CW510L
7	25782	TAPPO FEMMINA 1/4 GAS	1/4 GAS FEMALE TAP	BOUCHON FEMELLE 1/4 GAZ	INNENANSCHLUSSSTOPSEL 1/4 GAS
8	12007	GUARNIZIONE KLINGERSIL4400	KLINGERSIL4400 SEAL	JOINT KLINGERSIL4400	DICHTUNG KLINGER SIL4400
9	12100	GUARNIZIONE CU/ALIM 1/4 18.7x13.2x2.5	CU GASKET 1/4 18.7X13.2X2.5	JOINT CU 1/4 18.7X13.2X2.5	CU DICHTUNG 1/4 18.7x13.2x2.5
10	53011	FLANGIA	FLANGE	BRIDE	FLANSCH
11	12003	GUARNIZIONE CALDAIA	BOILER GASKET	JOINT CHAUDIERE	KESSELDICHTUNG
12	62356004	CALDAIA 4GR CTS	CTS BOILER 4 UNIT	CHAUDIERE 4GR CTS	HEIZKESSEL 4GR CTS
13	12101	GUARNIZIONE RAME 3/8 22x17x3	GASKET COPPER 3/8 22x17x3	JOINT CUIVRE 3/8 22x17x3	KUPFERDICHTUNG 3/8 22x17x3
14	4643052	RACCORDO "L" 3/8	CONNECTOR 'L' 3/8	RACCORD 'L' 3/8	ANSCHLUSS 'L' 3/8
15	12153	GUARNIZIONE RAME 1/4 17x13.3x1.5	GASKET 1/4 17x13.3x1.5 COPPER	JOINT CUIVRE 1/4 17x13.3x1.5	KUPFERDICHTUNG 1/4 17x13.3x1.5
16	56150	VALVOLA ANTIRISUCCHIO V.A.R.	ANTI-EDDY VALVE V.A.R.	SOUPAPE ANTI-DEPRESSION V.A.R.	VENTIL UNTERDRUCKFREI V.A.R.
17	4820251	SONDA LIVELLO L.125	LEVEL PROBE L.125	JAUG L.125	PEGELFUHLER L.125
18	12154	GUARNIZIONE CU 3/8 22x17x1.5	GASKET COPPER 3/8 22x17x1,5	JOINT CUIVRE 3/8 22x17x1.5	KUPFERDICHTUNG 3/8 22x17x1.5
19	52001612	TUBO D-10 L.115	TUBE D-10 L.115	TUYAU D-10 L.115	ROHR D-10 L.115
20	20352	VALVOLA DI SICUREZZA *CE*	*CE* SAFETY VALVE	SOUPAPE DE SECURITE *CE*	SICHERHEITSVENTIL *CE*
21	15006001	FLANGIA VALVOLA SICUREZZA	FLANGE VALVE	JOINT VANNE	FLANSCH VENTIL
22	12300000	GUARNIZIONE OR	GASKET O RING	JOINT OR	OR DICHTUNG
23	56009980	ASSIEME PROTEZIONE VALVOLE SICUREZZA	UNIT PROTECTION VALVE	ENSEMBLE PROTECTION VANNE	SATZ-SCHUTZGITTER VENTIL
24	15478002	TUBO SILICONE 8x11 L.70cm	SILICONE TUBE 8x11 L.70cm	TUYAU SILICONE 8x11 L.70cm	SILIKONROHR 8x11 L.70cm
25	4625785	TAPPO MASCHIO 3/8	MALE CAP 3/8	BOUCHON MALE 3/8	STOPFEN 3/8
26	4943033	RACCORDO "T" 3/8x3/8x1/4 CW510L	3/8x3/8x1/4 T FITTING	RACCORD "T" 3/8x3/8x1/4	ANSCHLUSS 3/8x3/8x1/4 T
27	63200002	SCAMBIATORE CIRC.TERMOSIFONICA D-80	EXCHANGER WITH THERMOSIPH.CIRCULATI D-80	ECHANG. CIRCUL. A THERMOSIPHON D-80	AUSTAUSCHER MIT ROHREN D-80
28	12005	GUARNIZIONE 28x17x2	GASKET 28X17X2	JOINT 28X17X2	DICHTUNG 28x17x2
29	25651	RONDELLA OTTONE 3/8	BRASS WASHER 3/8	RONDELLE LAITON 3/8	MESSINGSCHLEIBE 3/8
30	25356	CONTRODADO OTTONE 3/8	BRASS LOCK NUT 3/8	CONTRE-ECROU LAITON 3/8	MESSING-GEGENMUTTER 3/8
31	43030001	RACCORDO INIETTORE 3/8Fx3/8Mx14F	3/8Fx3/8Mx14F INJECTOR FITTING	RACC. INJECTEUR 3/8Fx3/8Mx14F	ANSCHLUSS EINSPRITZER 3/8Fx3/8Mx14F
32	52000410	TUBO D-6 L.85	TUBE D-6 L.85	TUYAU D-6 L.85	ROHR D-6 L.85



(*) GRUPPI RIALZATI / RAISED GROUPS
GROUPES REHAUSSÉS / ERHOEHTE GRUPPEN

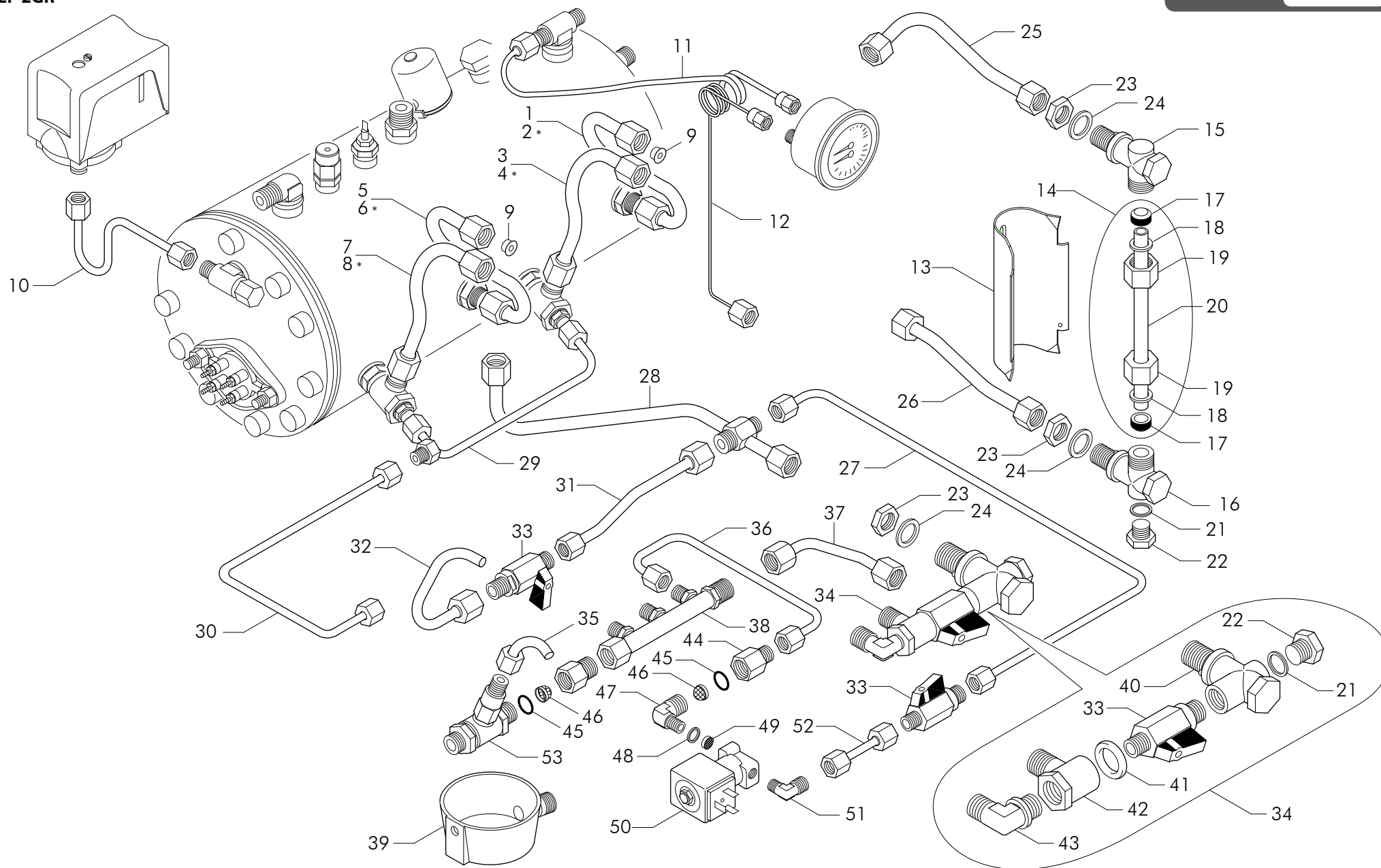
AEP 1GR

Pos	Code	Denominazione - IT -	Denomination - EN -	Denomination - FR -	Denomination - DE -
1	52003934	TUBO D-10 L.210	TUBE D-10 L.210	TUYAU D-10 L.210	ROHR D-10 L.210
2	52000481	TUBO D-10 L.215	TUBE D-10 L.215	TUYAU D-10 L.215	ROHR D-10 L.215
3	52000211	TUBO D-10 L.155	TUBE D-10 L.155	TUYAU D-10 L.155	ROHR D-10 L.155
4	52000482	TUBO D-10 L.185	TUBE D-10 L.185	TUYAU D-10 L.185	ROHR D-10 L.185
5	23294001	STROZZATURA RICIRCOLO GR CTS D 2.5	CTS UNIT D 2.5 RECIRC. NECK	ETRANGLEMENT RECYCLAGE GR.D.2.5	ENGSTELLE UMWALZUNG D. 2.5
5	23294003	STROZZATURA RICIRCOLO GR CTS D 4	CTS UNIT D 4 RECIRC. NECK	ETRANGLEMENT RECYCLAGE GR.D.4	ENGSTELLE UMWALZUNG D. 4
6	52001225	TUBO D-6 L.220	TUBE D-6 L.220	TUYAU D-6 L.220	ROHR D-6 L.220
7	52000419	TUBO D-4 L.635	TUBE D-4 L.635	TUYAU D-4 L.635	ROHR D-4 L.635
8	4652003055	TUBO D-2 L.500	TUBE D-2 L.500	TUYAU D-2 L.500	ROHR D-2 L.500
9	20354	VALVOLA CHIUSURA AEA	PRESSURE RELEASE TAP BULK UNIT	CLAPET FERMETURE AUT.ARRIVEE EAU	ABSPERRVENTIL x AUT.WASSERZUFUHR
10	25741	RIDUZIONE AEA MOTORE INCORPORATO	AUTOMATIC WATER REFILL REDUCTION	REDUCTION REMPLISSAGE EAU AUTOMAT.	REDUKTION AUT.WASSERFULLUNG
11	12312	GUARNIZIONE OR FILTRO AEA 10x2	O RING FOR WATER REFILL FILTER 10x2	JOINT OR FILTRE AUT.REM.EAU 10X2	OR DICHTUNG FUR WASSERFULLUNGFILTER
12	10254	FILTRO ACCIAIO 160-200 MESH	STEEL FILTER 160-200 MESH	FILTRE EN ACIER 160-200 MESH	STAHLFILTER 160-200 MESH
13	4823206	RACCORDO -L- D10 3/8x1/8CON	ELBOW BRASS CONNECTOR D10 3/8X1/8	RACCORD COUDE LAITON D10 3/8X1/8	MESSING FITTING D10 3/8x1/8
14	12155	GUARNIZIONE RAME 8.5x5x1	COPPER GASKET 8.5X5X1	JOINT CU 8.5X5X1	CU DICHTUNG 8.5x5x1
15	10251001	FILTRO IN ACCIAIO D-8 Sp.0,3	STEEL FILTER D-8 - 0.3 THICK	FILTRE EN ACIER D-8 Ep.0,3	STAHLFILTER D-8 Sp.0,3
16	4618162004	ELETTROVALVOLA AEA 208-240V 50-60Hz CW510L	SOL.VALVE WATER REFILL 220/240 50/60HZ	ELECTROVANNE REA 220/240V 50/60Hz	ELEKTROVENTIL AWZ 230/250 V 50/60 Hz
16	4618195	ELETTROVALVOLA AEA 110-120V/50-60Hz CW510L	SOL.VALVE WATER REFILL 110/120V 50/60HZ	ELECTROVANNE REA 110/120V 50/60Hz NSF	ELEKTROVENTIL AWZ 110/120V 50/60Hz NSF
17	23201	RACCORDO GOM.D6.2 1/4M 1/8M-AEA	ELBOW BRASS CONNECTOR D6.2 1/4M 1/8M	RACCORD COUDE LAITON D6.2 1/4M 1/8M	MESSING-ANSCHLUSS D6.2 1/4M 1/8M
18	52000426	TUBO D-6 L.550	TUBE D-6 L.550	TUYAU D-6 L.550	ROHR D-6 L.550
19	52000366	TUBO D-6 L.575	TUBE D-6 L.575	TUYAU D-6 L.575	ROHR D-6 L.575
20	52002700	TUBO D-10 L.185	TUBE D-10 L.185	TUYAU D-10 L.185	ROHR D-10 L.185
21	52000400	TUBO D-10 L.110	TUBE D-10 L.110	TUYAU D-10 L.110	ROHR D-10 L.110
22	25356	CONTRODADO OTTONE 3/8	BRASS LOCK NUT 3/8	CONTRE-ECROU LAITON 3/8	MESSING-GEGENMUTTER 3/8
23	25651	RONDELLA OTTONE 3/8	BRASS WASHER 3/8	RONDELLE LAITON 3/8	MESSINGSCHIEBE 3/8
24	53002	CORPO LIVELLO SUPERIORE	UPPER LEVEL CONNECTOR	CORPS DE NIVEAU SUPERIEUR	OBERNIVEAUKORPER
25	53001	CORPO LIVELLO INFERIORE	LOWER LEVEL CONNECTOR	CORPS DE NIVEAU INFERIEUR	UNTERNIVEAUKORPER
26	12200	GUARNIZIONE 16x10x8	GASKET 16X10X8	JOINT 16X10X8	DICHTUNG 16x10x8
27	25652	RONDELLA OTTONE D17.8	BRASS WASHER D.17.8	RONDELLE LAITON D.17.8	MESSING-SCHIEBE D.17.8
28	25383	DADO OTTONE M20x1.5	BRASS NUT 20X1.5	ECROU LAITON 20X1.5	MESSING-MUTTER 20x1.5
29	21300	TUBO VETRO LIVELLO 11x8x170	GLASS LEVEL TUBE 11X8X170	TUBE NIVEAU EN VERRE 11X8X170	NIVEAU GLASROHR 11x8x170
30	12153	GUARNIZIONE RAME 1/4 17x13.3x1.5	GASKET 1/4 17x13.3x1.5 COPPER	JOINT CUIVRE 1/4 17x13.3x1.5	KUPFERDICHTUNG 1/4 17x13.3x1.5
31	4925780	TAPPO MASCHIO OTTONE 1/4	BRASS MALE CAP 1/4	BOUCHON MALE LAITON 1/4	MESSING-STOPFEN 1/4
32	56001	ASSIEME TUBO LIVELLO	LEVEL TUBE UNIT	ENSEMBLE TUBE DE NIVEAU	ROHRSATZ FUR NIVEAU
33	44002	COPRILIVELLO VERNICIATO BIANCO	LEVEL INDICATOR COVER PAINTED WHITE	COUVRE-NIVEAU LAQUE BLANC	NIVEAUDECKEL
34	52000417	TUBO D-6 L.300	TUBE D-6 L.300	TUYAU D-6 L.300	ROHR D-6 L.300

AEP 1GR

Pos	Code	Denominazione - IT -	Denomination - EN -	Denomination - FR -	Denomination - DE -
35	52003212	TUBO D-10 L.320	TUBE D-10 L.320	TUYAU D-10 L.320	ROHR D-10 L.320
36	52000365	TUBO D-8 L.280	TUBE D-8 L.280	TUYAU D-8 L.280	ROHR D-8 L.280
37	52000267	TUBO D-8 L.100	TUBE D-8 L.100	TUYAU D-8 L.100	ROHR D. 8 L.100
38	52001350	TUBO D-6 L.105	TUBE D-6 L.105	TUYAU D-6 L.105	ROHR D-6 L.105
39	15502	VASCHETTA SCARICO ROTONDA D 80	ROUND DRAIN BASIN D.80mm	CUVE A VIDANGER RONDE D.80mm	RUNDE ABFLUSSCHALE D.80mm
40	52000427	TUBO D-8 L.230	TUBE D-8 L.230	TUYAU D-8 L.230	ROHR D-8 L.230
41	4656134001	BLOCCHETTO POMPA	UNIT PUMP	ENSEMBLE POMPE	PUMPENSATZ
42	20361	VALVOLA S.C.N.R. REGOLABILE	ADJUSTABLE S.C.N.R. VALVE	SOUPAPE S.C.N.R. REGLABLE	EINSTELLBARES VENTIL S.N.C.R.
43	53001001	CORPO LIVELLO INFERIORE	LOWER LEVEL CONNECTOR	CORPS DE NIVEAU INFERIEUR	UNTERNIVEAUKORPER
44	12100	GUARNIZIONE CU/ALIM 1/4 18.7x13.2x2.5	CU GASKET 1/4 18.7X13.2X2.5	JOINT CU 1/4 18.7X13.2X2.5	CU DICHTUNG 1/4 18.7x13.2x2.5
45	43030001	RACCORDO INIETTORE 3/8Fx3/8Mx14F	3/8Fx3/8Mx14F INJECTOR FITTING	RACC. INJECTEUR 3/8Fx3/8Mx14F	ANSCHLUSS EINSPRITZER 3/8Fx3/8Mx14F
46	4643052	RACCORDO "L" 3/8	CONNECTOR 'L' 3/8	RACCORD 'L' 3/8	ANSCHLUSS 'L' 3/8
47	4625732100	RACCORDO 3/8Mx3/8F	FITTING 3/8Mx3/8F	RACCORD 3/8Mx3/8F	ANSCHLUSS 3/8Mx3/8F

AEP 2GR



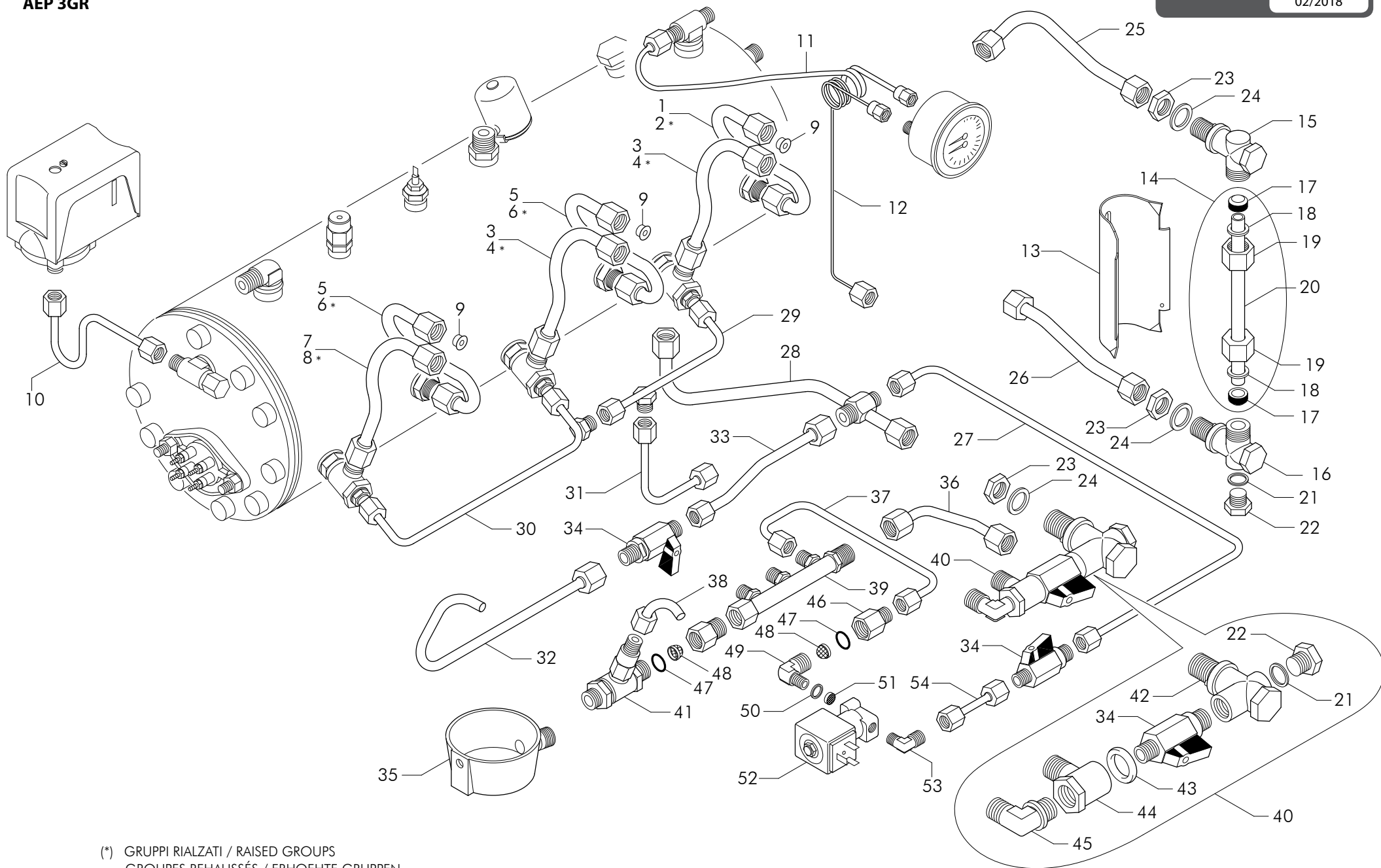
(*) GRUPPI RIALZATI / RAISED GROUPS
GROUPES REHAUSSÉS / ERHOEHTE GRUPPEN

AEP 2GR

Pos	Code	Denominazione - IT -	Denomination - EN -	Denomination - FR -	Denomination - DE -
1	52003934	TUBO D-10 L.210	TUBE D-10 L.210	TUYAU D-10 L.210	ROHR D-10 L.210
2	52000487	TUBO D-10 L.205	TUBE D-10 L.205	TUYAU D-10 L.205	ROHR D-10 L.205
3	52000245	TUBO D-10 L.165	TUBE D-10 L.165	TUYAU D-10 L.165	ROHR D-10 L.165
4	52000488	TUBO D-10 L.200	TUBE D-10 L.200	TUYAU D-10 L.200	ROHR D-10 L.200
5	52000214	TUBO D-10 L.195	TUBE D-10 L.195	TUYAU D-10 L.195	ROHR D-10 L.195
6	52000489	TUBO D-10 L.240	TUBE D-10 L.240	TUYAU D-10 L.240	ROHR D-10 L.240
7	52000272	TUBO D-10 L.135	TUBE D-10 L.135	TUYAU D-10 L.135	ROHR D. 10 L.135
8	52000490	TUBO D-10 L.180	TUBE D-10 L.180	TUYAU D-10 L.180	ROHR D-10 L.180
9	23294001	STROZZATURA RICIRCOLO GR CTS D 2.5	CTS UNIT D 2.5 RECIRC. NECK	ETRANGLEMENT RECYCLAGE GR.D.2.5	ENGSTELLE UMWALZUNG D. 2.5
9	23294003	STROZZATURA RICIRCOLO GR CTS D 4	CTS UNIT D 4 RECIRC. NECK	ETRANGLEMENT RECYCLAGE GR.D.4	ENGSTELLE UMWALZUNG D. 4
10	52003932	TUBO D-6 L.165	TUBE D-6 L.165	TUYAU D-6 L.165	ROHR D-6 L.165
11	52000405	TUBO D-4 L.700	TUBE D-4 L.700	TUYAU D-4 L.700	ROHR D-4 L.700
12	4652003055	TUBO D-2 L.500	TUBE D-2 L.500	TUYAU D-2 L.500	ROHR D-2 L.500
13	44002	COPRILIVELLO VERNICIATO BIANCO	LEVEL INDICATOR COVER PAINTED WHITE	COUVRE-NIVEAU LAQUE BLANC	NIVEAUDECKEL
14	56001	ASSIEME TUBO LIVELLO	LEVEL TUBE UNIT	ENSEMBLE TUBE DE NIVEAU	ROHRSATZ FUR NIVEAU
15	53002	CORPO LIVELLO SUPERIORE	UPPER LEVEL CONNECTOR	CORPS DE NIVEAU SUPERIEUR	OBERNIVEAUKORPER
16	53001	CORPO LIVELLO INFERIORE	LOWER LEVEL CONNECTOR	CORPS DE NIVEAU INFERIEUR	UNTERNIVEAUKORPER
17	12200	GUARNIZIONE 16x10x8	GASKET 16X10X8	JOINT 16X10X8	DICHTUNG 16x10x8
18	25652	RONDELLA OTTONE D17.8	BRASS WASHER D.17.8	RONDELLE LAITON D.17.8	MESSING-SCHEIBE D.17.8
19	25383	DADO OTTONE M20x1.5	BRASS NUT 20X1.5	ECROU LAITON 20X1.5	MESSING-MUTTER 20x1.5
20	21300	TUBO VETRO LIVELLO 11x8x170	GLASS LEVEL TUBE 11X8X170	TUBE NIVEAU EN VERRE 11X8X170	NIVEAU GLASROHR 11x8x170
21	12153	GUARNIZIONE RAME 1/4 17x13.3x1.5	GASKET 1/4 17x13.3x1.5 COPPER	JOINT CUIVRE 1/4 17x13.3x1.5	KUPFERDICHTUNG 1/4 17x13.3x1.5
22	4925780	TAPPO MASCHIO OTTONE 1/4	BRASS MALE CAP 1/4	BOUCHON MALE LAITON 1/4	MESSING-STOPFEN 1/4
23	25356	CONTRODADO OTTONE 3/8	BRASS LOCK NUT 3/8	CONTRE-ECROU LAITON 3/8	MESSING-GEGENMUTTER 3/8
24	25651	RONDELLA OTTONE 3/8	BRASS WASHER 3/8	RONDELLE LAITON 3/8	MESSINGSCHIEBE 3/8
25	52002700	TUBO D-10 L.185	TUBE D-10 L.185	TUYAU D-10 L.185	ROHR D-10 L.185
26	52000400	TUBO D-10 L.110	TUBE D-10 L.110	TUYAU D-10 L.110	ROHR D-10 L.110
27	52000205	TUBO D-6 L.230	TUBE D-6 L.230	TUYAU D-6 L.230	ROHR D. 6 L.230
28	52003212	TUBO D-10 L.320	TUBE D-10 L.320	TUYAU D-10 L.320	ROHR D-10 L.320
29	52000233	TUBO D-6 L.230	TUBE D-6 L.230	TUYAU D-6 L.230	ROHR D-6 L.230
30	52000401	TUBO D-6 L.270	TUBE D-6 L.270	TUYAU D-6 L.270	ROHR D-6 L.270
31	52000361	TUBO D-8 L.135	TUBE D-8 L.135	TUYAU D-8 L.135	ROHR D-8 L.135
32	52000267	TUBO D-8 L.100	TUBE D-8 L.100	TUYAU D-8 L.100	ROHR D. 8 L.100
33	20354	VALVOLA CHIUSURA AEA	PRESSURE RELEASE TAP BULK UNIT	CLAPET FERMETURE AUT.ARRIVEE EAU	ABSPERRVENTIL x AUT.WASSERZUFUHR
34	4656134001	BLOCCETTO POMPA	UNIT PUMP	ENSEMBLE POMPE	PUMPENSATZ
35	52002898	TUBO D-6 L.50	TUBE D-6 L.50	TUYAU D-6 L.50	ROHR D. 6 L.50

AEP 2GR

Pos	Code	Denominazione - IT -	Denomination - EN -	Denomination - FR -	Denomination - DE -
36	52000321	TUBO D-6 L.255	TUBE D-6 L.255	TUYAU D-6 L.255	ROHR D. 6 L.255
37	52000367	TUBO D-8 L.150	TUBE D-8 L.150	TUYAU D-8 L.150	ROHR D-8 L.150
38	56136004	ASSIEME BLOCCO DISTRIBUZ.2-3-4GR	DISTRIBUTION BLOCK 2-3-4GR	BLOC DISTRIBUTION 2-3-4GR	BLOCK VERTEILER 2-3-4GR
39	15502	VASCHETTA SCARICO ROTONDA D 80	ROUND DRAIN BASIN D.80mm	CUVE A VIDANGER RONDE D.80mm	RUNDE ABFLUSSCHALE D.80mm
40	53001001	CORPO LIVELLO INFERIORE	LOWER LEVEL CONNECTOR	CORPS DE NIVEAU INFERIEUR	UNTERNIVEAUKORPER
41	12100	GUARNIZIONE CU/ALIM 1/4 18.7x13.2x2.5	CU GASKET 1/4 18.7X13.2X2.5	JOINT CU 1/4 18.7X13.2X2.5	CU DICHTUNG 1/4 18.7x13.2x2.5
42	43030001	RACCORDO INIETTORE 3/8Fx3/8Mx14F	3/8Fx3/8Mx14F INJECTOR FITTING	RACC. INJECTEUR 3/8Fx3/8Mx14F	ANSCHLUSS EINSPRITZER 3/8Fx3/8Mx14F
43	4643052	RACCORDO "L" 3/8	CONNECTOR 'L' 3/8	RACCORD 'L' 3/8	ANSCHLUSS 'L' 3/8
44	4925705	RACCORDO 3/8Fx1/4M	CONNECTOR 3/8X1/4	RACCORD 3/8X1/4	FILTERFITTING 3/8X1/4
45	12312	GUARNIZIONE OR FILTRO AEA 10x2	O RING FOR WATER REFILL FILTER 10x2	JOINT OR FILTRE AUT.REM.EAU 10X2	OR DICHTUNG FUR WASSERFULLUNGFILTER
46	10254	FILTRO ACCIAIO 160-200 MESH	STEEL FILTER 160-200 MESH	FILTRE EN ACIER 160-200 MESH	STAHLFILTER 160-200 MESH
47	4823206	RACCORDO -L- D10 3/8x1/8CON	ELBOW BRASS CONNECTOR D10 3/8X1/8	RACCORD COUDE LAITON D10 3/8X1/8	MESSING FITTING D10 3/8x1/8
48	12155	GUARNIZIONE RAME 8.5x5x1	COPPER GASKET 8.5X5X1	JOINT CU 8.5X5X1	CU DICHTUNG 8.5x5x1
49	10251001	FILTRO IN ACCIAIO D-8 Sp.0,3	STEEL FILTER D-8 - 0.3 THICK	FILTRE EN ACIER D-8 Ep.0,3	STAHLFILTER D-8 Sp.0,3
50	4618162004	ELETTROVALVOLA AEA 208-240V 50-60Hz CW510L	SOL.VALVE WATER REFILL 220/240 50/60HZ	ELECTROVANNE REA 220/240V 50/60Hz	ELEKTROVENTIL AWZ 230/250 V 50/60 Hz
50	4618195	ELETTROVALVOLA AEA 110-120V/50-60Hz CW510L	SOL.VALVE WATER REFILL 110/120V 50/60HZ	ELECTROVANNE REA 110/120V 50/60HZ NSF	ELEKTROVENTIL AWZ 110/120V 50/60HZ NSF
51	23201	RACCORDO GOM.D6.2 1/4M 1/8M-AEA	ELBOW BRASS CONNECTOR D6.2 1/4M 1/8M	RACCORD COUDE LAITON D6.2 1/4M 1/8M	MESSING-ANSCHLUSS D6.2 1/4M 1/8M
52	52001428	TUBO D-6 L.50	TUBE D-6 L.50	TUYAU D-6 L.50	ROHR D-6 L.50
53	20361	VALVOLA S.C.N.R. REGOLABILE	ADJUSTABLE S.C.N.R. VALVE	SOUPAPE S.C.N.R. REGLABLE	EINSTELLBARES VENTIL S.N.C.R.



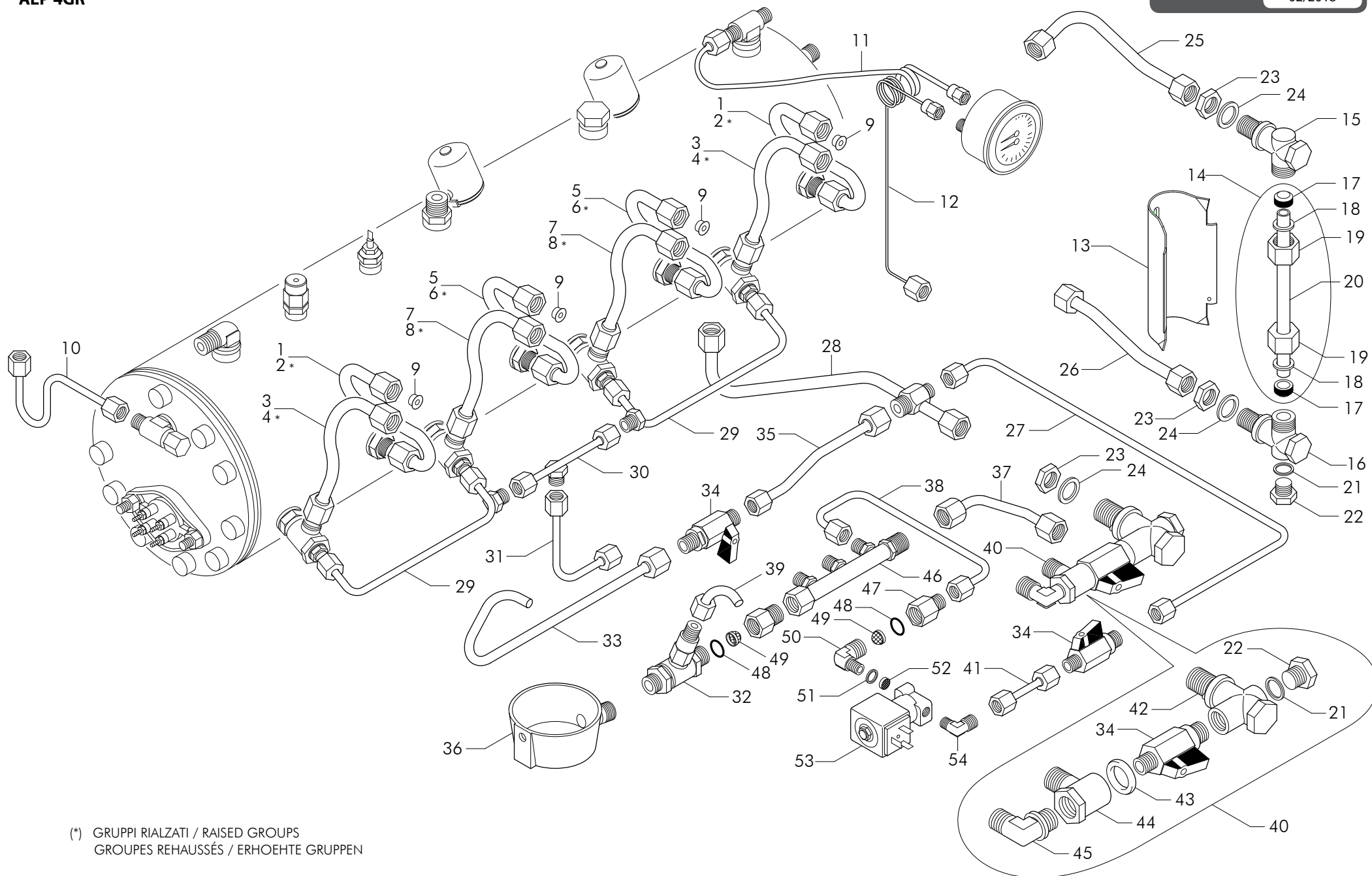
(*) GRUPPI RIALZATI / RAISED GROUPS
GROUPES REHAUSSÉS / ERHOEHTE GRUPPEN

AEP 3GR

Pos	Code	Denominazione - IT -	Denomination - EN -	Denomination - FR -	Denomination - DE -
1	52003934	TUBO D-10 L.210	TUBE D-10 L.210	TUYAU D-10 L.210	ROHR D-10 L.210
2	52000487	TUBO D-10 L.205	TUBE D-10 L.205	TUYAU D-10 L.205	ROHR D-10 L.205
3	52000245	TUBO D-10 L.165	TUBE D-10 L.165	TUYAU D-10 L.165	ROHR D-10 L.165
4	52000488	TUBO D-10 L.200	TUBE D-10 L.200	TUYAU D-10 L.200	ROHR D-10 L.200
5	52000214	TUBO D-10 L.195	TUBE D-10 L.195	TUYAU D-10 L.195	ROHR D-10 L.195
6	52000489	TUBO D-10 L.240	TUBE D-10 L.240	TUYAU D-10 L.240	ROHR D-10 L.240
7	52000272	TUBO D-10 L.135	TUBE D-10 L.135	TUYAU D-10 L.135	ROHR D. 10 L.135
8	52000490	TUBO D-10 L.180	TUBE D-10 L.180	TUYAU D-10 L.180	ROHR D-10 L.180
9	23294001	STROZZATURA RICIRCOLO GR CTS D 2.5	CTS UNIT D 2.5 RECIRC. NECK	ETRANGLEMENT RECYCLAGE GR.D.2.5	ENGSTELLE UMWALZUNG D. 2.5
9	23294003	STROZZATURA RICIRCOLO GR CTS D 4	CTS UNIT D 4 RECIRC. NECK	ETRANGLEMENT RECYCLAGE GR.D.4	ENGSTELLE UMWALZUNG D. 4
10	52003932	TUBO D-6 L.165	TUBE D-6 L.165	TUYAU D-6 L.165	ROHR D-6 L.165
11	52000414	TUBO D-4 L.800	TUBE D-4 L.800	TUYAU D-4 L.800	ROHR D-4 L.800
12	4652003057	TUBO D-2 L.1000	TUBE D-2 L.1000	TUYAU D-2 L.1000	ROHR D-2 L.1000
13	44002	COPRILIVELLO VERNICIATO BIANCO	LEVEL INDICATOR COVER PAINTED WHITE	COUVRE-NIVEAU LAQUE BLANC	NIVEAUDECKEL
14	56001	ASSIEME TUBO LIVELLO	LEVEL TUBE UNIT	ENSEMBLE TUBE DE NIVEAU	ROHRSATZ FUR NIVEAU
15	53002	CORPO LIVELLO SUPERIORE	UPPER LEVEL CONNECTOR	CORPS DE NIVEAU SUPERIEUR	OBERNIVEAUKORPER
16	53001	CORPO LIVELLO INFERIORE	LOWER LEVEL CONNECTOR	CORPS DE NIVEAU INFERIEUR	UNTERNIVEAUKORPER
17	12200	GUARNIZIONE 16x10x8	GASKET 16X10X8	JOINT 16X10X8	DICHTUNG 16x10x8
18	25652	RONDELLA OTTONE D17.8	BRASS WASHER D.17.8	RONDELLE LAITON D.17.8	MESSING-SCHEIBE D.17.8
19	25383	DADO OTTONE M20x1.5	BRASS NUT 20X1.5	ECROU LAITON 20X1.5	MESSING-MUTTER 20x1.5
20	21300	TUBO VETRO LIVELLO 11x8x170	GLASS LEVEL TUBE 11X8X170	TUBE NIVEAU EN VERRE 11X8X170	NIVEAU GLASROHR 11x8x170
21	12153	GUARNIZIONE RAME 1/4 17x13.3x1.5	GASKET 1/4 17x13.3x1.5 COPPER	JOINT CUIVRE 1/4 17x13.3x1.5	KUPFERDICHTUNG 1/4 17x13.3x1.5
22	4925780	TAPPO MASCHIO OTTONE 1/4	BRASS MALE CAP 1/4	BOUCHON MALE LAITON 1/4	MESSING-STOPFEN 1/4
23	25356	CONTRODADO OTTONE 3/8	BRASS LOCK NUT 3/8	CONTRE-ECROU LAITON 3/8	MESSING-GEGENMUTTER 3/8
24	25651	RONDELLA OTTONE 3/8	BRASS WASHER 3/8	RONDELLE LAITON 3/8	MESSINGSCHIEBE 3/8
25	52002700	TUBO D-10 L.185	TUBE D-10 L.185	TUYAU D-10 L.185	ROHR D-10 L.185
26	52000400	TUBO D-10 L.110	TUBE D-10 L.110	TUYAU D-10 L.110	ROHR D-10 L.110
27	52000205	TUBO D-6 L.230	TUBE D-6 L.230	TUYAU D-6 L.230	ROHR D. 6 L.230
28	52003212	TUBO D-10 L.320	TUBE D-10 L.320	TUYAU D-10 L.320	ROHR D-10 L.320
29	52000326	TUBO D-6 L.250	TUBE D-6 L.250	TUYAU D-6 L.250	ROHR D. 6 L.250
30	52000233	TUBO D-6 L.230	TUBE D-6 L.230	TUYAU D-6 L.230	ROHR D-6 L.230
31	52000327	TUBO D.6 L.125	TUBE D.6 L.125	TUYAU D.6 L.125	ROHR D.6 L.125
32	52000362	TUBO D-8 L.255	TUBE D-8 L.255	TUYAU D-8 L.255	ROHR D-8 L.255
33	52000361	TUBO D-8 L.135	TUBE D-8 L.135	TUYAU D-8 L.135	ROHR D-8 L.135
34	20354	VALVOLA CHIUSURA AEA	PRESSURE RELEASE TAP BULK UNIT	CLAPET FERMETURE AUT.ARRIVEE EAU	ABSPERRVENTIL x AUT.WASSERZUFUHR
35	15502	VASCHETTA SCARICO ROTONDA D 80	ROUND DRAIN BASIN D.80mm	CUVE A VIDANGER RONDE D.80mm	RUNDE ABFLUSSCHALE D.80mm

AEP 3GR

Pos	Code	Denominazione - IT -	Denomination - EN -	Denomination - FR -	Denomination - DE -
36	52000367	TUBO D-8 L.150	TUBE D-8 L.150	TUYAU D-8 L.150	ROHR D-8 L.150
37	52000321	TUBO D-6 L.255	TUBE D-6 L.255	TUYAU D-6 L.255	ROHR D. 6 L.255
38	52001351	TUBO D-6 L.170	TUBE D-6 L.170	TUYAU D-6 L.170	ROHR D-6 L.170
39	56136004	ASSIEME BLOCCO DISTRIBUZ.2-3-4GR	DISTRIBUTION BLOCK 2-3-4GR	BLOC DISTRIBUTION 2-3-4GR	BLOCK VERTEILER 2-3-4GR
40	4656134001	BLOCCETTO POMPA	UNIT PUMP	ENSEMBLE POMPE	PUMPENSATZ
41	20361	VALVOLA S.C.N.R. REGOLABILE	ADJUSTABLE S.C.N.R. VALVE	SOUPAPE S.C.N.R. REGLABLE	EINSTELLBARES VENTIL S.N.C.R.
42	53001001	CORPO LIVELLO INFERIORE	LOWER LEVEL CONNECTOR	CORPS DE NIVEAU INFERIEUR	UNTERNIVEAUKORPER
43	12100	GUARNIZIONE CU/ALIM 1/4 18.7x13.2x2.5	CU GASKET 1/4 18.7X13.2X2.5	JOINT CU 1/4 18.7X13.2X2.5	CU DICHTUNG 1/4 18.7x13.2x2.5
44	43030001	RACCORDO INIETTORE 3/8Fx3/8Mx14F	3/8Fx3/8Mx14F INJECTOR FITTING	RACC. INJECTEUR 3/8Fx3/8Mx14F	ANSCHLUSS EINSPRITZER 3/8Fx3/8Mx14F
45	4643052	RACCORDO "L" 3/8	CONNECTOR 'L' 3/8	RACCORD 'L' 3/8	ANSCHLUSS 'L' 3/8
46	4925705	RACCORDO 3/8Fx1/4M	CONNECTOR 3/8X1/4	RACCORD 3/8X1/4	FILTERFITTING 3/8X1/4
47	12312	GUARNIZIONE OR FILTRO AEA 10x2	O RING FOR WATER REFILL FILTER 10x2	JOINT OR FILTRE AUT.REM.EAU 10X2	OR DICHTUNG FUR WASSERFULLUNGFILTER
48	10254	FILTRO ACCIAIO 160-200 MESH	STEEL FILTER 160-200 MESH	FILTRE EN ACIER 160-200 MESH	STAHLFILTER 160-200 MESH
49	4823206	RACCORDO -L- D10 3/8x1/8CON	ELBOW BRASS CONNECTOR D10 3/8X1/8	RACCORD COUDE LAITON D10 3/8X1/8	MESSING FITTING D10 3/8x1/8
50	12155	GUARNIZIONE RAME 8.5x5x1	COPPER GASKET 8.5X5X1	JOINT CU 8.5X5X1	CU DICHTUNG 8.5x5x1
51	10251001	FILTRO IN ACCIAIO D-8 Sp.0,3	STEEL FILTER D-8 - 0.3 THICK	FILTRE EN ACIER D-8 Ep.0,3	STAHLFILTER D-8 Sp.0,3
52	4618162004	ELETTROVALVOLA AEA 208-240V 50-60Hz CW510L	SOL.VALVE WATER REFILL 220/240 50/60HZ	ELECTROVANNE REA 220/240V 50/60Hz	ELEKTROVENTIL AWZ 230/250 V 50/60 Hz
52	4618195	ELETTROVALVOLA AEA 110-120V/50-60Hz CW510L	SOL.VALVE WATER REFILL 110/120V 50/60HZ	ELECTROVANNE REA 110/120V 50/60Hz NSF	ELEKTROVENTIL AWZ 110/120V 50/60HZ NSF
53	23201	RACCORDO GOM.D6.2 1/4M 1/8M-AEA	ELBOW BRASS CONNECTOR D6.2 1/4M 1/8M	RACCORD COUDE LAITON D6.2 1/4M 1/8M	MESSING-ANSCHLUSS D6.2 1/4M 1/8M
54	52001428	TUBO D-6 L.50	TUBE D-6 L.50	TUYAU D-6 L.50	ROHR D-6 L.50



(*) GRUPPI RIALZATI / RAISED GROUPS
GROUPES REHAUSSÉS / ERHOEHTE GRUPPEN

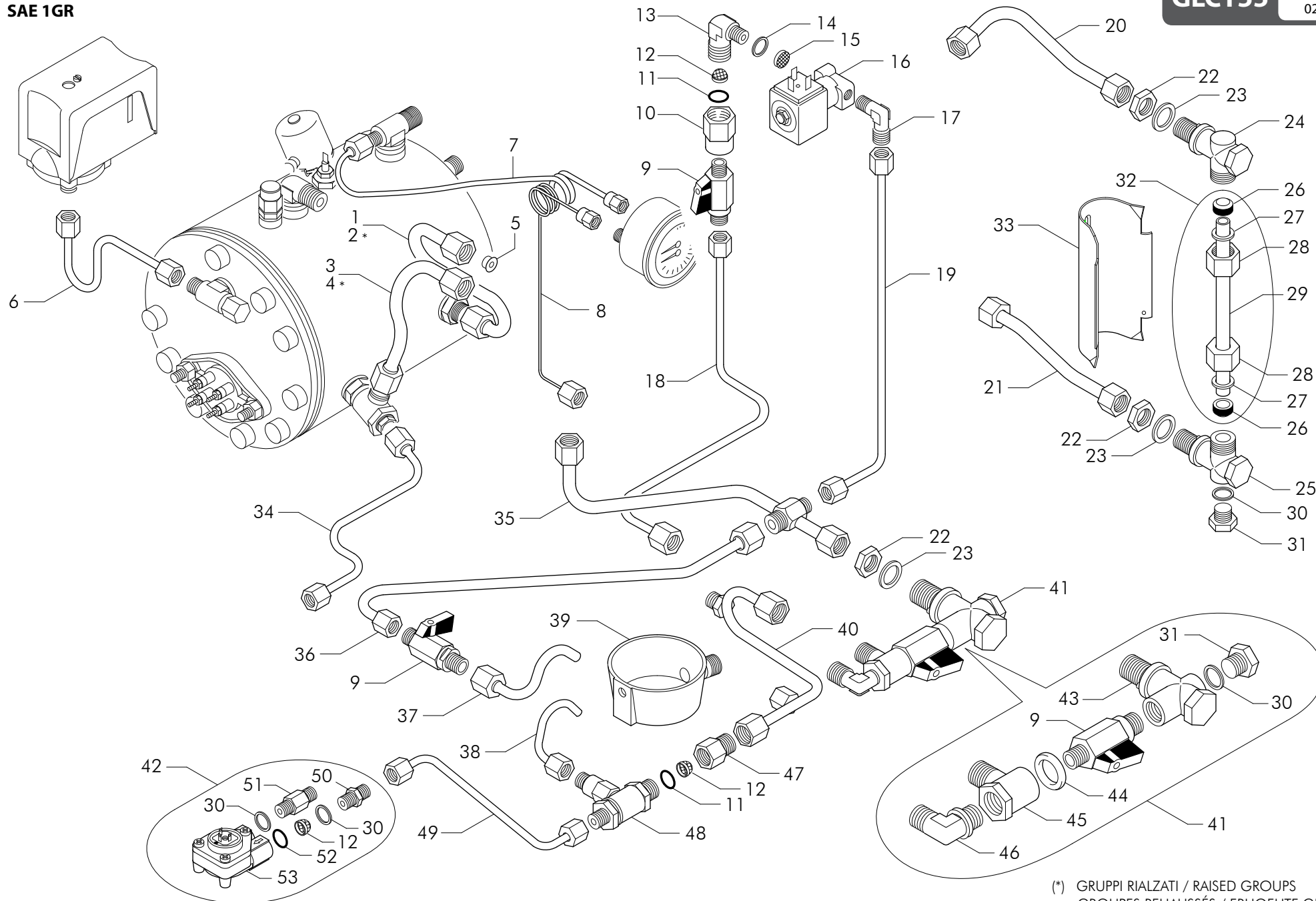
AEP 4GR

Pos	Code	Denominazione - IT -	Denomination - EN -	Denomination - FR -	Denomination - DE -
1	52003934	TUBO D-10 L.210	TUBE D-10 L.210	TUYAU D-10 L.210	ROHR D-10 L.210
2	52000487	TUBO D-10 L.205	TUBE D-10 L.205	TUYAU D-10 L.205	ROHR D-10 L.205
3	52000245	TUBO D-10 L.165	TUBE D-10 L.165	TUYAU D-10 L.165	ROHR D-10 L.165
4	52000488	TUBO D-10 L.200	TUBE D-10 L.200	TUYAU D-10 L.200	ROHR D-10 L.200
5	52000214	TUBO D-10 L.195	TUBE D-10 L.195	TUYAU D-10 L.195	ROHR D-10 L.195
6	52000489	TUBO D-10 L.240	TUBE D-10 L.240	TUYAU D-10 L.240	ROHR D-10 L.240
7	52000272	TUBO D-10 L.135	TUBE D-10 L.135	TUYAU D-10 L.135	ROHR D. 10 L.135
8	52000490	TUBO D-10 L.180	TUBE D-10 L.180	TUYAU D-10 L.180	ROHR D-10 L.180
9	23294001	STROZZATURA RICIRCOLO GR CTS D 2.5	CTS UNIT D 2.5 RECIRC. NECK	ETRANGLEMENT RECYCLAGE GR.D.2.5	ENGSTELLE UMWALZUNG D. 2.5
9	23294003	STROZZATURA RICIRCOLO GR CTS D 4	CTS UNIT D 4 RECIRC. NECK	ETRANGLEMENT RECYCLAGE GR.D.4	ENGSTELLE UMWALZUNG D. 4
10	52003932	TUBO D-6 L.165	TUBE D-6 L.165	TUYAU D-6 L.165	ROHR D-6 L.165
11	52000429	TUBO D-4 L.880	TUBE D-4 L.880	TUYAU D-4 L.880	ROHR D-4 L.880
12	4652003059	TUBO D-2 L.1500	TUBE D-2 L.1500	TUYAU D-2 L.1500	ROHR D-2 L.1500
13	44002	COPRILIVELLO VERNICIATO BIANCO	LEVEL INDICATOR COVER PAINTED WHITE	COUVRE-NIVEAU LAQUE BLANC	NIVEAUDECKEL
14	56001	ASSIEME TUBO LIVELLO	LEVEL TUBE UNIT	ENSEMBLE TUBE DE NIVEAU	ROHRSATZ FUR NIVEAU
15	53002	CORPO LIVELLO SUPERIORE	UPPER LEVEL CONNECTOR	CORPS DE NIVEAU SUPERIEUR	OBERNIVEAUKORPER
16	53001	CORPO LIVELLO INFERIORE	LOWER LEVEL CONNECTOR	CORPS DE NIVEAU INFERIEUR	UNTERNIVEAUKORPER
17	12200	GUARNIZIONE 16x10x8	GASKET 16X10X8	JOINT 16X10X8	DICHTUNG 16x10x8
18	25652	RONDELLA OTTONE D17.8	BRASS WASHER D.17.8	RONDELLE LAITON D.17.8	MESSING-SCHEIBE D.17.8
19	25383	DADO OTTONE M20x1.5	BRASS NUT 20X1.5	ECROU LAITON 20X1.5	MESSING-MUTTER 20x1.5
20	21300	TUBO VETRO LIVELLO 11x8x170	GLASS LEVEL TUBE 11X8X170	TUBE NIVEAU EN VERRE 11X8X170	NIVEAU GLASROHR 11x8x170
21	12153	GUARNIZIONE RAME 1/4 17x13.3x1.5	GASKET 1/4 17x13.3x1.5 COPPER	JOINT CUIVRE 1/4 17x13.3x1.5	KUPFERDICHTUNG 1/4 17x13.3x1.5
22	4925780	TAPPO MASCHIO OTTONE 1/4	BRASS MALE CAP 1/4	BOUCHON MALE LAITON 1/4	MESSING-STOPFEN 1/4
23	25356	CONTRODADO OTTONE 3/8	BRASS LOCK NUT 3/8	CONTRE-ECROU LAITON 3/8	MESSING-GEGENMUTTER 3/8
24	25651	RONDELLA OTTONE 3/8	BRASS WASHER 3/8	RONDELLE LAITON 3/8	MESSINGSCHIEBE 3/8
25	52002700	TUBO D-10 L.185	TUBE D-10 L.185	TUYAU D-10 L.185	ROHR D-10 L.185
26	52000400	TUBO D-10 L.110	TUBE D-10 L.110	TUYAU D-10 L.110	ROHR D-10 L.110
27	52000205	TUBO D-6 L.230	TUBE D-6 L.230	TUYAU D-6 L.230	ROHR D. 6 L.230
28	52003212	TUBO D-10 L.320	TUBE D-10 L.320	TUYAU D-10 L.320	ROHR D-10 L.320
29	52000233	TUBO D-6 L.230	TUBE D-6 L.230	TUYAU D-6 L.230	ROHR D-6 L.230
30	52000338	TUBO D-6 L.280	TUBE D-6 L.280	TUYAU D-6 L.280	ROHR D. 6 L.280
31	52000339	TUBO D-6 L.250	TUBE D.6 L.250	TUYAU D.6 L.250	ROHR D.6 L.250
32	20361	VALVOLA S.C.N.R. REGOLABILE	ADJUSTABLE S.C.N.R. VALVE	SOUPAPE S.C.N.R. REGLABLE	EINSTELLBARES VENTIL S.N.C.R.
33	52000363	TUBO D-8 L.380	TUBE D-8 L.380	TUYAU D-8 L.380	ROHR D-8 L.380
34	20354	VALVOLA CHIUSURA AEA	PRESSURE RELEASE TAP BULK UNIT	CLAPET FERMETURE AUT.ARRIVEE EAU	ABSPERRVENTIL x AUT.WASSERZUFUHR
35	52000361	TUBO D-8 L.135	TUBE D-8 L.135	TUYAU D-8 L.135	ROHR D-8 L.135

AEP 4GR

Pos	Code	Denominazione - IT -	Denomination - EN -	Denomination - FR -	Denomination - DE -
36	15502	VASCHETTA SCARICO ROTONDA D 80	ROUND DRAIN BASIN D.80mm	CUVE A VIDANGER RONDE D.80mm	RUNDE ABFLUSSCHALE D.80mm
37	52000367	TUBO D-8 L.150	TUBE D-8 L.150	TUYAU D-8 L.150	ROHR D-8 L.150
38	52000321	TUBO D-6 L.255	TUBE D-6 L.255	TUYAU D-6 L.255	ROHR D. 6 L.255
39	52001336	TUBO D-8 L.665	TUBE D-8 L.665	TUYAU D-8 L.665	ROHR D-8 L.665
40	4656134001	BLOCCETTO POMPA	UNIT PUMP	ENSEMBLE POMPE	PUMPENSATZ
41	52001428	TUBO D-6 L.50	TUBE D-6 L.50	TUYAU D-6 L.50	ROHR D-6 L.50
42	53001001	CORPO LIVELLO INFERIORE	LOWER LEVEL CONNECTOR	CORPS DE NIVEAU INFERIEUR	UNTERNIVEAUKORPER
43	12100	GUARNIZIONE CU/ALIM 1/4 18.7x13.2x2.5	CU GASKET 1/4 18.7X13.2X2.5	JOINT CU 1/4 18.7X13.2X2.5	CU DICHTUNG 1/4 18.7x13.2x2.5
44	43030001	RACCORDO INIETTORE 3/8Fx3/8Mx14F	3/8Fx3/8Mx14F INJECTOR FITTING	RACC. INJECTEUR 3/8Fx3/8Mx14F	ANSCHLUSS EINSPRITZER 3/8Fx3/8Mx14F
45	4643052	RACCORDO "L" 3/8	CONNECTOR 'L' 3/8	RACCORD 'L' 3/8	ANSCHLUSS 'L' 3/8
46	56136004	ASSIEME BLOCCO DISTRIBUZ.2-3-4GR	DISTRIBUTION BLOCK 2-3-4GR	BLOC DISTRIBUTION 2-3-4GR	BLOCK VERTEILER 2-3-4GR
47	4925705	RACCORDO 3/8Fx1/4M	CONNECTOR 3/8X1/4	RACCORD 3/8X1/4	FILTERFITTING 3/8X1/4
48	12312	GUARNIZIONE OR FILTRO AEA 10x2	O RING FOR WATER REFILL FILTER 10x2	JOINT OR FILTRE AUT.REM.EAU 10X2	OR DICHTUNG FUR WASSERFULLUNGFILTER
49	10254	FILTRO ACCIAIO 160-200 MESH	STEEL FILTER 160-200 MESH	FILTRE EN ACIER 160-200 MESH	STAHLFILTER 160-200 MESH
50	4823206	RACCORDO -L- D10 3/8x1/8CON	ELBOW BRASS CONNECTOR D10 3/8X1/8	RACCORD COUDE LAITON D10 3/8X1/8	MESSING FITTING D10 3/8x1/8
51	12155	GUARNIZIONE RAME 8.5x5x1	COPPER GASKET 8.5X5X1	JOINT CU 8.5X5X1	CU DICHTUNG 8.5x5x1
52	10251001	FILTRO IN ACCIAIO D-8 Sp.0,3	STEEL FILTER D-8 - 0.3 THICK	FILTRE EN ACIER D-8 Ep.0,3	STAHLFILTER D-8 Sp.0,3
53	4618162004	ELETTROVALVOLA AEA 208-240V 50-60Hz CW510L	SOL.VALVE WATER REFILL 220/240 50/60HZ	ELECTROVANNE REA 220/240V 50/60Hz	ELEKTROVENTIL AWZ 230/250 V 50/60 Hz
53	4618195	ELETTROVALVOLA AEA 110-120V/50-60Hz CW510L	SOL.VALVE WATER REFILL 110/120V 50/60HZ	ELECTROVANNE REA 110/120V 50/60Hz NSF	ELEKTROVENTIL AWZ 110/120V 50/60HZ NSF
54	23201	RACCORDO GOM.D6.2 1/4M 1/8M-AEA	ELBOW BRASS CONNECTOR D6.2 1/4M 1/8M	RACCORD COUDE LAITON D6.2 1/4M 1/8M	MESSING-ANSCHLUSS D6.2 1/4M 1/8M

SAE 1GR



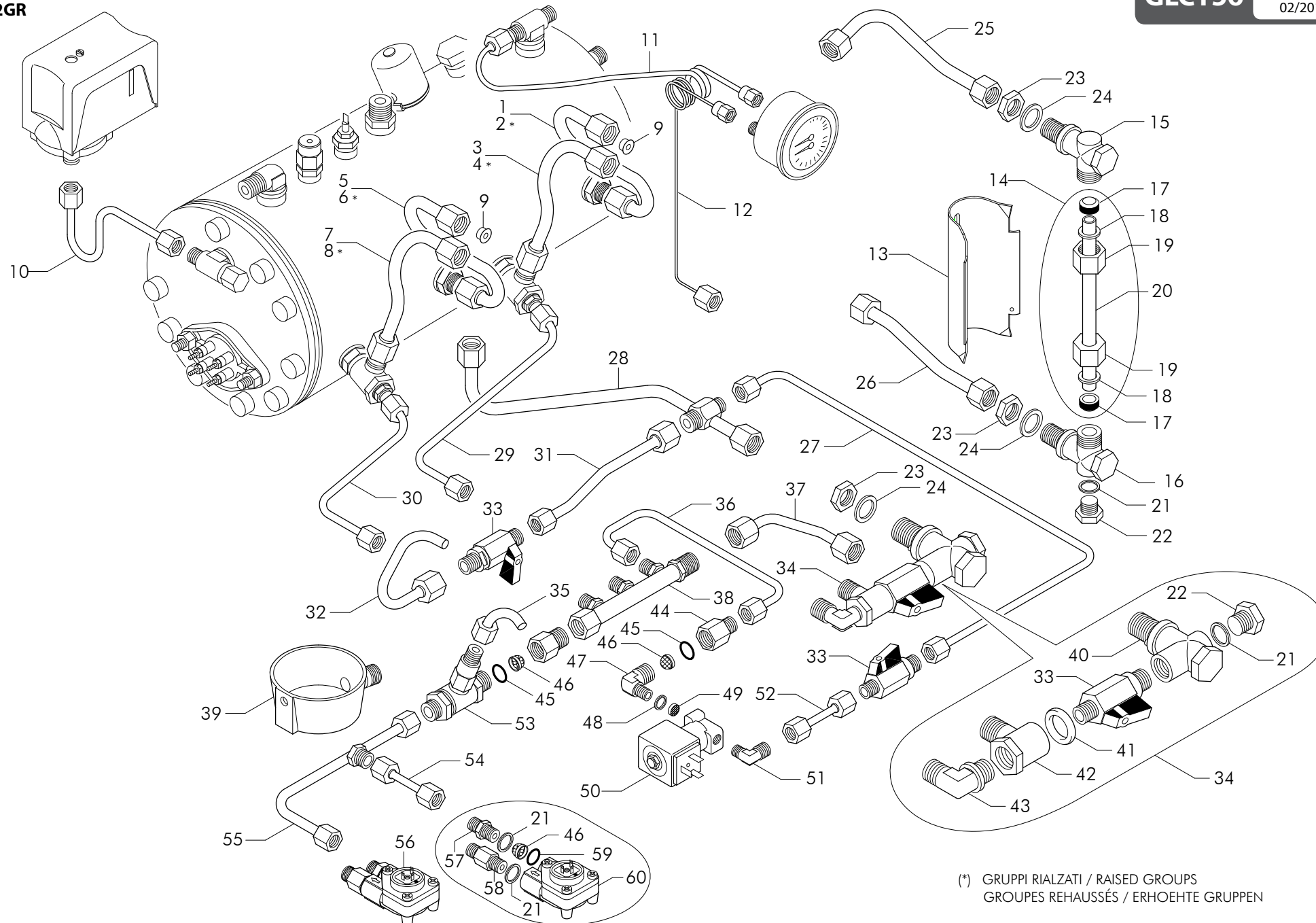
(*) GRUPPI RIALZATI / RAISED GROUPS
GROUPES REHAUSSÉS / ERHOEHTE GRUPPEN

SAE 1GR

Pos	Code	Denominazione - IT -	Denomination - EN -	Denomination - FR -	Denomination - DE -
1	52003934	TUBO D-10 L.210	TUBE D-10 L.210	TUYAU D-10 L.210	ROHR D-10 L.210
2	52000481	TUBO D-10 L.215	TUBE D-10 L.215	TUYAU D-10 L.215	ROHR D-10 L.215
3	52000211	TUBO D-10 L.155	TUBE D-10 L.155	TUYAU D-10 L.155	ROHR D-10 L.155
4	52000482	TUBO D-10 L.185	TUBE D-10 L.185	TUYAU D-10 L.185	ROHR D-10 L.185
5	23294001	STROZZATURA RICIRCOLO GR CTS D 2.5	CTS UNIT D 2.5 RECIRC. NECK	ETRANGLEMENT RECYCLAGE GR.D.2.5	ENGSTELLE UMWALZUNG D. 2.5
5	23294003	STROZZATURA RICIRCOLO GR CTS D 4	CTS UNIT D 4 RECIRC. NECK	ETRANGLEMENT RECYCLAGE GR.D.4	ENGSTELLE UMWALZUNG D. 4
6	52001225	TUBO D-6 L.220	TUBE D-6 L.220	TUYAU D-6 L.220	ROHR D-6 L.220
7	52000419	TUBO D-4 L.635	TUBE D-4 L.635	TUYAU D-4 L.635	ROHR D-4 L.635
8	4652003055	TUBO D-2 L.500	TUBE D-2 L.500	TUYAU D-2 L.500	ROHR D-2 L.500
9	20354	VALVOLA CHIUSURA AEA	PRESSURE RELEASE TAP BULK UNIT	CLAPET FERMETURE AUT.ARRIVEE EAU	ABSPERRVENTIL x AUT.WASSERZUFUHR
10	25741	RIDUZIONE AEA MOTORE INCORPORATO	AUTOMATIC WATER REFILL REDUCTION	REDUCTION REMPLISSAGE EAU AUTOMAT.	REDUKTION AUT.WASSERFULLUNG
11	12312	GUARNIZIONE OR FILTRO AEA 10x2	O RING FOR WATER REFILL FILTER 10x2	JOINT OR FILTRE AUT.REM.EAU 10X2	OR DICHTUNG FUR WASSERFULLUNGFILTER
12	10254	FILTRO ACCIAIO 160-200 MESH	STEEL FILTER 160-200 MESH	FILTRE EN ACIER 160-200 MESH	STAHLFILTER 160-200 MESH
13	4823206	RACCORDO -L- D10 3/8x1/8CON	ELBOW BRASS CONNECTOR D10 3/8X1/8	RACCORD COUDE LAITON D10 3/8X1/8	MESSING FITTING D10 3/8x1/8
14	12155	GUARNIZIONE RAME 8.5x5x1	COPPER GASKET 8.5X5X1	JOINT CU 8.5X5X1	CU DICHTUNG 8.5x5x1
15	10251001	FILTRO IN ACCIAIO D-8 Sp.0,3	STEEL FILTER D-8 - 0.3 THICK	FILTRE EN ACIER D-8 Ep.0,3	STAHLFILTER D-8 Sp.0,3
16	4618162004	ELETTROVALVOLA AEA 208-240V 50-60Hz CW510L	SOL.VALVE WATER REFILL 220/240 50/60HZ	ELECTROVANNE REA 220/240V 50/60Hz	ELEKTROVENTIL AWZ 230/250 V 50/60 Hz
16	4618195	ELETTROVALVOLA AEA 110-120V/50-60Hz CW510L	SOL.VALVE WATER REFILL 110/120V 50/60HZ	ELECTROVANNE REA 110/120V 50/60Hz NSF	ELEKTROVENTIL AWZ 110/120V 50/60Hz NSF
17	23201	RACCORDO GOM.D6.2 1/4M 1/8M-AEA	ELBOW BRASS CONNECTOR D6.2 1/4M 1/8M	RACCORD COUDE LAITON D6.2 1/4M 1/8M	MESSING-ANSCHLUSS D6.2 1/4M 1/8M
18	52000426	TUBO D-6 L.550	TUBE D-6 L.550	TUYAU D-6 L.550	ROHR D-6 L.550
19	52000366	TUBO D-6 L.575	TUBE D-6 L.575	TUYAU D-6 L.575	ROHR D-6 L.575
20	52002700	TUBO D-10 L.185	TUBE D-10 L.185	TUYAU D-10 L.185	ROHR D-10 L.185
21	52000400	TUBO D-10 L.110	TUBE D-10 L.110	TUYAU D-10 L.110	ROHR D-10 L.110
22	25356	CONTRODADO OTTONE 3/8	BRASS LOCK NUT 3/8	CONTRE-ECROU LAITON 3/8	MESSING-GEGENMUTTER 3/8
23	25651	RONDELLA OTTONE 3/8	BRASS WASHER 3/8	RONDELLE LAITON 3/8	MESSINGSCHIEBE 3/8
24	53002	CORPO LIVELLO SUPERIORE	UPPER LEVEL CONNECTOR	CORPS DE NIVEAU SUPERIEUR	OBERNIVEAUKORPER
25	53001	CORPO LIVELLO INFERIORE	LOWER LEVEL CONNECTOR	CORPS DE NIVEAU INFERIEUR	UNTERNIVEAUKORPER
26	12200	GUARNIZIONE 16x10x8	GASKET 16X10X8	JOINT 16X10X8	DICHTUNG 16x10x8
27	25652	RONDELLA OTTONE D17.8	BRASS WASHER D.17.8	RONDELLE LAITON D.17.8	MESSING-SCHIEBE D.17.8
28	25383	DADO OTTONE M20x1.5	BRASS NUT 20X1.5	ECROU LAITON 20X1.5	MESSING-MUTTER 20x1.5
29	21300	TUBO VETRO LIVELLO 11x8x170	GLASS LEVEL TUBE 11X8X170	TUBE NIVEAU EN VERRE 11X8X170	NIVEAU GLASROHR 11x8x170
30	12153	GUARNIZIONE RAME 1/4 17x13.3x1.5	GASKET 1/4 17x13.3x1.5 COPPER	JOINT CUIVRE 1/4 17x13.3x1.5	KUPFERDICHTUNG 1/4 17x13.3x1.5
31	4925780	TAPPO MASCHIO OTTONE 1/4	BRASS MALE CAP 1/4	BOUCHON MALE LAITON 1/4	MESSING-STOPFEN 1/4
32	56001	ASSIEME TUBO LIVELLO	LEVEL TUBE UNIT	ENSEMBLE TUBE DE NIVEAU	ROHRSATZ FUR NIVEAU
33	44002	COPRILIVELLO VERNICIATO BIANCO	LEVEL INDICATOR COVER PAINTED WHITE	COUVRE-NIVEAU LAQUE BLANC	NIVEAUDECKEL
34	52000420	TUBO D-6 L.250 1GR	TUBE D-6 L.250	TUYAU D-6 L.250	ROHR D-6 L.250

SAE 1GR

Pos	Code	Denominazione - IT -	Denomination - EN -	Denomination - FR -	Denomination - DE -
35	52003212	TUBO D-10 L.320	TUBE D-10 L.320	TUYAU D-10 L.320	ROHR D-10 L.320
36	52000365	TUBO D-8 L.280	TUBE D-8 L.280	TUYAU D-8 L.280	ROHR D-8 L.280
37	52000267	TUBO D-8 L.100	TUBE D-8 L.100	TUYAU D-8 L.100	ROHR D. 8 L.100
38	52001350	TUBO D-6 L.105	TUBE D-6 L.105	TUYAU D-6 L.105	ROHR D-6 L.105
39	15502	VASCHETTA SCARICO ROTONDA D 80	ROUND DRAIN BASIN D.80mm	CUVE A VIDANGER RONDE D.80mm	RUNDE ABFLUSSCHALE D.80mm
40	52000427	TUBO D-8 L.230	TUBE D-8 L.230	TUYAU D-8 L.230	ROHR D-8 L.230
41	4656134001	BLOCCETTO POMPA	UNIT PUMP	ENSEMBLE POMPE	PUMPENSATZ
42	56122000	ASSIEME DOSATORE	DOSER KIT	KIT DOSEUR	DOSIERER
43	53001001	CORPO LIVELLO INFERIORE	LOWER LEVEL CONNECTOR	CORPS DE NIVEAU INFERIEUR	UNTERNIVEAUKORPER
44	12100	GUARNIZIONE CU/ALIM 1/4 18.7x13.2x2.5	CU GASKET 1/4 18.7X13.2X2.5	JOINT CU 1/4 18.7X13.2X2.5	CU DICHTUNG 1/4 18.7x13.2x2.5
45	43030001	RACCORDO INIETTORE 3/8Fx3/8Mx14F	3/8Fx3/8Mx14F INJECTOR FITTING	RACC. INJECTEUR 3/8Fx3/8Mx14F	ANSCHLUSS EINSPRITZER 3/8Fx3/8Mx14F
46	4643052	RACCORDO "L" 3/8	CONNECTOR 'L' 3/8	RACCORD 'L' 3/8	ANSCHLUSS 'L' 3/8
47	4625732100	RACCORDO 3/8Mx3/8F	FITTING 3/8Mx3/8F	RACCORD 3/8Mx3/8F	ANSCHLUSS 3/8Mx3/8F
48	20361	VALVOLA S.C.N.R. REGOLABILE	ADJUSTABLE S.C.N.R. VALVE	SOUPAPE S.C.N.R. REGLABLE	EINSTELLBARES VENTIL S.N.C.R.
49	52000425	TUBO D-6 L.115	TUBE D-6 L.115	TUYAU D-6 L.115	ROHR D-6 L.115
50	4625686	RACCORDO 1/4Mx1/4M	CONNECTOR 1/4Mx1/4M	RACCORD 1/4Mx1/4M	ANSCHLUSS 1/4Mx1/4M
51	25708	RACCORDO 1/4x1/4	1/4x1/4 FITTING	RACCORD 1/4x1/4	ANSCHLUSS 1/4x1/4
52	12329	GUARNIZIONE OR HNBR 7.66xW1.78	GASKET OR HNBR 7.66xW1.78	JOINT OR HNBR 7.66x1.78	OR DICHTUNG HNBR 7.66xW1.78
53	18126	DOSATORE FLOWMETER	FLOWMETER DOSER	DOSEUR FLOWMETER	DOSIERER FLOWMETER



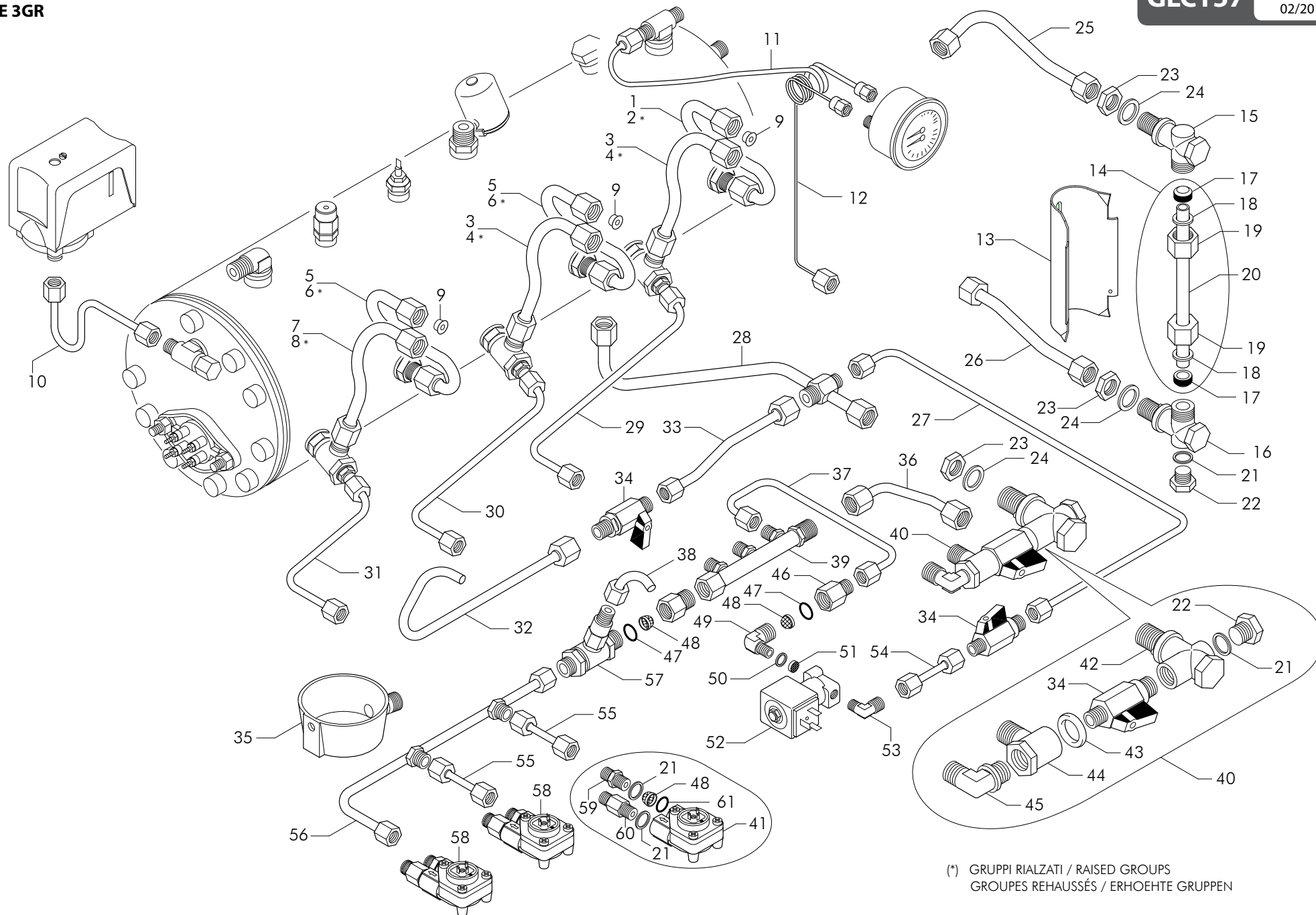
(*) GRUPPI RIALZATI / RAISED GROUPS
GROUPES REHAUSSÉS / ERHOEHTE GRUPPEN

SAE 2GR

Pos	Code	Denominazione - IT -	Denomination - EN -	Denomination - FR -	Denomination - DE -
1	52003934	TUBO D-10 L.210	TUBE D-10 L.210	TUYAU D-10 L.210	ROHR D-10 L.210
2	52000487	TUBO D-10 L.205	TUBE D-10 L.205	TUYAU D-10 L.205	ROHR D-10 L.205
3	52000245	TUBO D-10 L.165	TUBE D-10 L.165	TUYAU D-10 L.165	ROHR D-10 L.165
4	52000488	TUBO D-10 L.200	TUBE D-10 L.200	TUYAU D-10 L.200	ROHR D-10 L.200
5	52000214	TUBO D-10 L.195	TUBE D-10 L.195	TUYAU D-10 L.195	ROHR D-10 L.195
6	52000489	TUBO D-10 L.240	TUBE D-10 L.240	TUYAU D-10 L.240	ROHR D-10 L.240
7	52000272	TUBO D-10 L.135	TUBE D-10 L.135	TUYAU D-10 L.135	ROHR D. 10 L.135
8	52000490	TUBO D-10 L.180	TUBE D-10 L.180	TUYAU D-10 L.180	ROHR D-10 L.180
9	23294001	STROZZATURA RICIRCOLO GR CTS D 2.5	CTS UNIT D 2.5 RECIRC. NECK	ETRANGLEMENT RECYCLAGE GR.D.2.5	ENGSTELLE UMWALZUNG D. 2.5
9	23294003	STROZZATURA RICIRCOLO GR CTS D 4	CTS UNIT D 4 RECIRC. NECK	ETRANGLEMENT RECYCLAGE GR.D.4	ENGSTELLE UMWALZUNG D. 4
10	52003932	TUBO D-6 L.165	TUBE D-6 L.165	TUYAU D-6 L.165	ROHR D-6 L.165
11	52000405	TUBO D-4 L.700	TUBE D-4 L.700	TUYAU D-4 L.700	ROHR D-4 L.700
12	4652003055	TUBO D-2 L.500	TUBE D-2 L.500	TUYAU D-2 L.500	ROHR D-2 L.500
13	44002	COPRILIVELLO VERNICIATO BIANCO	LEVEL INDICATOR COVER PAINTED WHITE	COUVRE-NIVEAU LAQUE BLANC	NIVEAUDECKEL
14	56001	ASSIEME TUBO LIVELLO	LEVEL TUBE UNIT	ENSEMBLE TUBE DE NIVEAU	ROHRSATZ FUR NIVEAU
15	53002	CORPO LIVELLO SUPERIORE	UPPER LEVEL CONNECTOR	CORPS DE NIVEAU SUPERIEUR	OBERNIVEAUKORPER
16	53001	CORPO LIVELLO INFERIORE	LOWER LEVEL CONNECTOR	CORPS DE NIVEAU INFERIEUR	UNTERNIVEAUKORPER
17	12200	GUARNIZIONE 16x10x8	GASKET 16X10X8	JOINT 16X10X8	DICHTUNG 16x10x8
18	25652	RONDELLA OTTONE D17.8	BRASS WASHER D.17.8	RONDELLE LAITON D.17.8	MESSING-SCHEIBE D.17.8
19	25383	DADO OTTONE M20x1.5	BRASS NUT 20X1.5	ECROU LAITON 20X1.5	MESSING-MUTTER 20x1.5
20	21300	TUBO VETRO LIVELLO 11x8x170	GLASS LEVEL TUBE 11X8X170	TUBE NIVEAU EN VERRE 11X8X170	NIVEAU GLASROHR 11x8x170
21	12153	GUARNIZIONE RAME 1/4 17x13.3x1.5	GASKET 1/4 17x13.3x1.5 COPPER	JOINT CUIVRE 1/4 17x13.3x1.5	KUPFERDICHTUNG 1/4 17x13.3x1.5
22	4925780	TAPPO MASCHIO OTTONE 1/4	BRASS MALE CAP 1/4	BOUCHON MALE LAITON 1/4	MESSING-STOPFEN 1/4
23	25356	CONTRODADO OTTONE 3/8	BRASS LOCK NUT 3/8	CONTRE-ECROU LAITON 3/8	MESSING-GEGENMUTTER 3/8
24	25651	RONDELLA OTTONE 3/8	BRASS WASHER 3/8	RONDELLE LAITON 3/8	MESSINGSCHIEBE 3/8
25	52002700	TUBO D-10 L.185	TUBE D-10 L.185	TUYAU D-10 L.185	ROHR D-10 L.185
26	52000400	TUBO D-10 L.110	TUBE D-10 L.110	TUYAU D-10 L.110	ROHR D-10 L.110
27	52000205	TUBO D-6 L.230	TUBE D-6 L.230	TUYAU D-6 L.230	ROHR D. 6 L.230
28	52003212	TUBO D-10 L.320	TUBE D-10 L.320	TUYAU D-10 L.320	ROHR D-10 L.320
29	52000402	TUBO D-6 L.395	TUBE D-6 L.395	TUYAU D-6 L.395	ROHR D-6 L.395
30	52000403	TUBO D-6 L.310	TUBE D-6 L.310	TUYAU D-6 L.310	ROHR D-6 L.310
31	52000361	TUBO D-8 L.135	TUBE D-8 L.135	TUYAU D-8 L.135	ROHR D-8 L.135
32	52000267	TUBO D-8 L.100	TUBE D-8 L.100	TUYAU D-8 L.100	ROHR D. 8 L.100
33	20354	VALVOLA CHIUSURA AEA	PRESSURE RELEASE TAP BULK UNIT	CLAPET FERMETURE AUT.ARRIVEE EAU	ABSPERRVENTIL x AUT.WASSERZUFUHR
34	4656134001	BLOCCETTO POMPA	UNIT PUMP	ENSEMBLE POMPE	PUMPENSATZ
35	52002898	TUBO D-6 L.50	TUBE D-6 L.50	TUYAU D-6 L.50	ROHR D. 6 L.50

SAE 2GR

Pos	Code	Denominazione - IT -	Denomination - EN -	Denomination - FR -	Denomination - DE -
36	52000321	TUBO D-6 L.255	TUBE D-6 L.255	TUYAU D-6 L.255	ROHR D. 6 L.255
37	52000367	TUBO D-8 L.150	TUBE D-8 L.150	TUYAU D-8 L.150	ROHR D-8 L.150
38	56136004	ASSIEME BLOCCO DISTRIBUZ.2-3-4GR	DISTRIBUTION BLOCK 2-3-4GR	BLOC DISTRIBUTION 2-3-4GR	BLOCK VERTEILER 2-3-4GR
39	15502	VASCHETTA SCARICO ROTONDA D 80	ROUND DRAIN BASIN D.80mm	CUVE A VIDANGER RONDE D.80mm	RUNDE ABFLUSSCHALE D.80mm
40	53001001	CORPO LIVELLO INFERIORE	LOWER LEVEL CONNECTOR	CORPS DE NIVEAU INFERIEUR	UNTERNIVEAUKORPER
41	12100	GUARNIZIONE CU/ALIM 1/4 18.7x13.2x2.5	CU GASKET 1/4 18.7X13.2X2.5	JOINT CU 1/4 18.7X13.2X2.5	CU DICHTUNG 1/4 18.7x13.2x2.5
42	43030001	RACCORDO INIETTORE 3/8Fx3/8Mx14F	3/8Fx3/8Mx14F INJECTOR FITTING	RACC. INJECTEUR 3/8Fx3/8Mx14F	ANSCHLUSS EINSPRITZER 3/8Fx3/8Mx14F
43	4643052	RACCORDO "L" 3/8	CONNECTOR 'L' 3/8	RACCORD 'L' 3/8	ANSCHLUSS 'L' 3/8
44	4925705	RACCORDO 3/8Fx1/4M	CONNECTOR 3/8X1/4	RACCORD 3/8X1/4	FILTERFITTING 3/8X1/4
45	12312	GUARNIZIONE OR FILTRO AEA 10x2	O RING FOR WATER REFILL FILTER 10x2	JOINT OR FILTRE AUT.REM.EAU 10X2	OR DICHTUNG FUR WASSERFULLUNGFILTER
46	10254	FILTRO ACCIAIO 160-200 MESH	STEEL FILTER 160-200 MESH	FILTRE EN ACIER 160-200 MESH	STAHLFILTER 160-200 MESH
47	4823206	RACCORDO -L- D10 3/8x1/8CON	ELBOW BRASS CONNECTOR D10 3/8X1/8	RACCORD COUDE LAITON D10 3/8X1/8	MESSING FITTING D10 3/8x1/8
48	12155	GUARNIZIONE RAME 8.5x5x1	COPPER GASKET 8.5X5X1	JOINT CU 8.5X5X1	CU DICHTUNG 8.5x5x1
49	10251001	FILTRO IN ACCIAIO D-8 Sp.0,3	STEEL FILTER D-8 - 0.3 THICK	FILTRE EN ACIER D-8 Ep.0,3	STAHLFILTER D-8 Sp.0,3
50	4618162004	ELETTROVALVOLA AEA 208-240V 50-60Hz CW510L	SOL.VALVE WATER REFILL 220/240 50/60HZ	ELECTROVANNE REA 220/240V 50/60Hz	ELEKTROVENTIL AWZ 230/250 V 50/60 Hz
50	4618195	ELETTROVALVOLA AEA 110-120V/50-60Hz CW510L	SOL.VALVE WATER REFILL 110/120V 50/60HZ	ELECTROVANNE REA 110/120V 50/60HZ NSF	ELEKTROVENTIL AWZ 110/120V 50/60HZ NSF
51	23201	RACCORDO GOM.D6.2 1/4M 1/8M-AEA	ELBOW BRASS CONNECTOR D6.2 1/4M 1/8M	RACCORD COUDE LAITON D6.2 1/4M 1/8M	MESSING-ANSCHLUSS D6.2 1/4M 1/8M
52	52001428	TUBO D-6 L.50	TUBE D-6 L.50	TUYAU D-6 L.50	ROHR D-6 L.50
53	20361	VALVOLA S.C.N.R. REGOLABILE	ADJUSTABLE S.C.N.R. VALVE	SOUPAPE S.C.N.R. REGLABLE	EINSTELLBARES VENTIL S.N.C.R.
54	52000202	TUBO D-6 L.65	TUBE D-6 L.65	TUYAU D-6 L.65	ROHR D. 6 L.65
55	52000320	TUBO D-8 L.215	TUBE D-8 L.215	TUYAU D-8 L.215	ROHR D. 8 L.215
56	56122000	ASSIEME DOSATORE	DOSER KIT	KIT DOSEUR	DOSIERER
57	4625686	RACCORDO 1/4Mx1/4M	CONNECTOR 1/4Mx1/4M	RACCORD 1/4Mx1/4M	ANSCHLUSS 1/4Mx1/4M
58	25708	RACCORDO 1/4x1/4	1/4x1/4 FITTING	RACCORD 1/4x1/4	ANSCHLUSS 1/4x1/4
59	12329	GUARNIZIONE OR HNBR 7.66xW1.78	GASKET OR HNBR 7.66xW1.78	JOINT OR HNBR 7.66x1.78	OR DICHTUNG HNBR 7.66xW1.78
60	18126	DOSATORE FLOWMETER	FLOWMETER DOSER	DOSEUR FLOWMETER	DOSIERER FLOWMETER



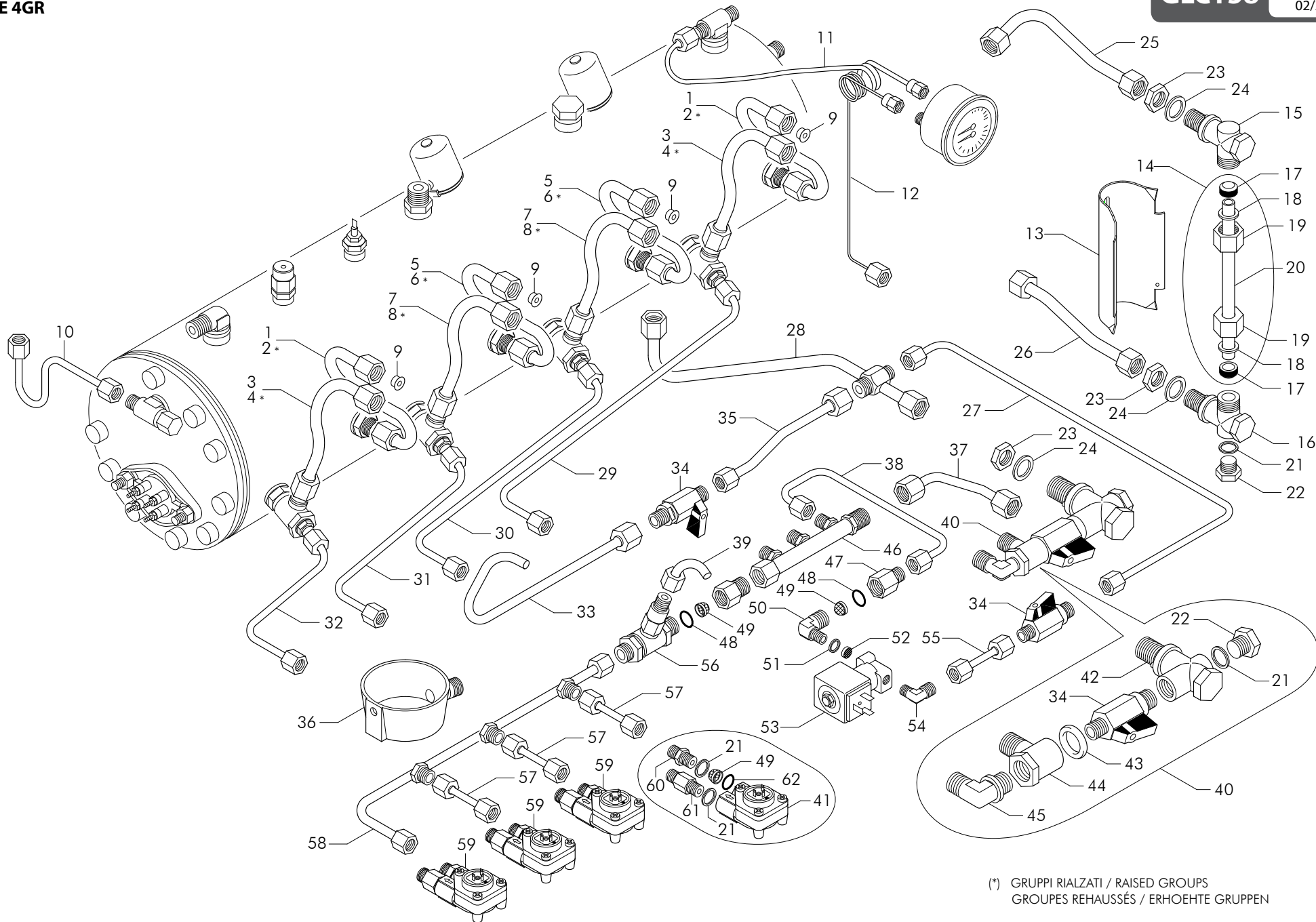
(*) GRUPPI RIALZATI / RAISED GROUPS
GROUPES REHAUSSÉS / ERHOEHTE GRUPPEN

SAE 3GR

Pos	Code	Denominazione - IT -	Denomination - EN -	Denomination - FR -	Denomination - DE -
1	52003934	TUBO D-10 L.210	TUBE D-10 L.210	TUYAU D-10 L.210	ROHR D-10 L.210
2	52000487	TUBO D-10 L.205	TUBE D-10 L.205	TUYAU D-10 L.205	ROHR D-10 L.205
3	52000245	TUBO D-10 L.165	TUBE D-10 L.165	TUYAU D-10 L.165	ROHR D-10 L.165
4	52000488	TUBO D-10 L.200	TUBE D-10 L.200	TUYAU D-10 L.200	ROHR D-10 L.200
5	52000214	TUBO D-10 L.195	TUBE D-10 L.195	TUYAU D-10 L.195	ROHR D-10 L.195
6	52000489	TUBO D-10 L.240	TUBE D-10 L.240	TUYAU D-10 L.240	ROHR D-10 L.240
7	52000272	TUBO D-10 L.135	TUBE D-10 L.135	TUYAU D-10 L.135	ROHR D. 10 L.135
8	52000490	TUBO D-10 L.180	TUBE D-10 L.180	TUYAU D-10 L.180	ROHR D-10 L.180
9	23294001	STROZZATURA RICIRCOLO GR CTS D 2.5	CTS UNIT D 2.5 RECIRC. NECK	ETRANGLEMENT RECYCLAGE GR.D.2.5	ENGSTELLE UMWALZUNG D. 2.5
9	23294003	STROZZATURA RICIRCOLO GR CTS D 4	CTS UNIT D 4 RECIRC. NECK	ETRANGLEMENT RECYCLAGE GR.D.4	ENGSTELLE UMWALZUNG D. 4
10	52003932	TUBO D-6 L.165	TUBE D-6 L.165	TUYAU D-6 L.165	ROHR D-6 L.165
11	52000414	TUBO D-4 L.800	TUBE D-4 L.800	TUYAU D-4 L.800	ROHR D-4 L.800
12	4652003057	TUBO D-2 L.1000	TUBE D-2 L.1000	TUYAU D-2 L.1000	ROHR D-2 L.1000
13	44002	COPRILIVELLO VERNICIATO BIANCO	LEVEL INDICATOR COVER PAINTED WHITE	COUVRE-NIVEAU LAQUE BLANC	NIVEAUDECKEL
14	56001	ASSIEME TUBO LIVELLO	LEVEL TUBE UNIT	ENSEMBLE TUBE DE NIVEAU	ROHRSATZ FUR NIVEAU
15	53002	CORPO LIVELLO SUPERIORE	UPPER LEVEL CONNECTOR	CORPS DE NIVEAU SUPERIEUR	OBERNIVEAUKORPER
16	53001	CORPO LIVELLO INFERIORE	LOWER LEVEL CONNECTOR	CORPS DE NIVEAU INFERIEUR	UNTERNIVEAUKORPER
17	12200	GUARNIZIONE 16x10x8	GASKET 16X10X8	JOINT 16X10X8	DICHTUNG 16x10x8
18	25652	RONDELLA OTTONE D17.8	BRASS WASHER D.17.8	RONDELLE LAITON D.17.8	MESSING-SCHEIBE D.17.8
19	25383	DADO OTTONE M20x1.5	BRASS NUT 20X1.5	ECROU LAITON 20X1.5	MESSING-MUTTER 20x1.5
20	21300	TUBO VETRO LIVELLO 11x8x170	GLASS LEVEL TUBE 11X8X170	TUBE NIVEAU EN VERRE 11X8X170	NIVEAU GLASROHR 11x8x170
21	12153	GUARNIZIONE RAME 1/4 17x13.3x1.5	GASKET 1/4 17x13.3x1.5 COPPER	JOINT CUIVRE 1/4 17x13.3x1.5	KUPFERDICHTUNG 1/4 17x13.3x1.5
22	4925780	TAPPO MASCHIO OTTONE 1/4	BRASS MALE CAP 1/4	BOUCHON MALE LAITON 1/4	MESSING-STOPFEN 1/4
23	25356	CONTRODADO OTTONE 3/8	BRASS LOCK NUT 3/8	CONTRE-ECROU LAITON 3/8	MESSING-GEGENMUTTER 3/8
24	25651	RONDELLA OTTONE 3/8	BRASS WASHER 3/8	RONDELLE LAITON 3/8	MESSINGSCHIEBE 3/8
25	52002700	TUBO D-10 L.185	TUBE D-10 L.185	TUYAU D-10 L.185	ROHR D-10 L.185
26	52000400	TUBO D-10 L.110	TUBE D-10 L.110	TUYAU D-10 L.110	ROHR D-10 L.110
27	52000205	TUBO D-6 L.230	TUBE D-6 L.230	TUYAU D-6 L.230	ROHR D. 6 L.230
28	52003212	TUBO D-10 L.320	TUBE D-10 L.320	TUYAU D-10 L.320	ROHR D-10 L.320
29	52000415	TUBO D-6 L.530	TUBE D-6 L.530	TUYAU D-6 L.530	ROHR D-6 L.530
30	52000402	TUBO D-6 L.395	TUBE D-6 L.395	TUYAU D-6 L.395	ROHR D-6 L.395
31	52000403	TUBO D-6 L.310	TUBE D-6 L.310	TUYAU D-6 L.310	ROHR D-6 L.310
32	52000362	TUBO D-8 L.255	TUBE D-8 L.255	TUYAU D-8 L.255	ROHR D-8 L.255
33	52000361	TUBO D-8 L.135	TUBE D-8 L.135	TUYAU D-8 L.135	ROHR D-8 L.135
34	20354	VALVOLA CHIUSURA AEA	PRESSURE RELEASE TAP BULK UNIT	CLAPET FERMETURE AUT.ARRIVEE EAU	ABSPERRVENTIL x AUT.WASSERZUFUHR
35	15502	VASCHETTA SCARICO ROTONDA D 80	ROUND DRAIN BASIN D.80mm	CUVE A VIDANGER RONDE D.80mm	RUNDE ABFLUSSCHALE D.80mm

SAE 3GR

Pos	Code	Denominazione - IT -	Denomination - EN -	Denomination - FR -	Denomination - DE -
36	52000367	TUBO D-8 L.150	TUBE D-8 L.150	TUYAU D-8 L.150	ROHR D-8 L.150
37	52000321	TUBO D-6 L.255	TUBE D-6 L.255	TUYAU D-6 L.255	ROHR D. 6 L.255
38	52001351	TUBO D-6 L.170	TUBE D-6 L.170	TUYAU D-6 L.170	ROHR D-6 L.170
39	56136004	ASSIEME BLOCCO DISTRIBUZ.2-3-4GR	DISTRIBUTION BLOCK 2-3-4GR	BLOC DISTRIBUTION 2-3-4GR	BLOCK VERTEILER 2-3-4GR
40	4656134001	BLOCCETTO POMPA	UNIT PUMP	ENSEMBLE POMPE	PUMPENSATZ
41	18126	DOSATORE FLOWMETER	FLOWMETER DOSER	DOSEUR FLOWMETER	DOSIERER FLOWMETER
42	53001001	CORPO LIVELLO INFERIORE	LOWER LEVEL CONNECTOR	CORPS DE NIVEAU INFERIEUR	UNTERNIVEAUKORPER
43	12100	GUARNIZIONE CU/ALIM 1/4 18.7x13.2x2.5	CU GASKET 1/4 18.7X13.2X2.5	JOINT CU 1/4 18.7X13.2X2.5	CU DICHTUNG 1/4 18.7x13.2x2.5
44	43030001	RACCORDO INIETTORE 3/8Fx3/8Mx14F	3/8Fx3/8Mx14F INJECTOR FITTING	RACC. INJECTEUR 3/8Fx3/8Mx14F	ANSCHLUSS EINSPRITZER 3/8Fx3/8Mx14F
45	4643052	RACCORDO "L" 3/8	CONNECTOR 'L' 3/8	RACCORD 'L' 3/8	ANSCHLUSS 'L' 3/8
46	4925705	RACCORDO 3/8Fx1/4M	CONNECTOR 3/8X1/4	RACCORD 3/8X1/4	FILTERFITTING 3/8X1/4
47	12312	GUARNIZIONE OR FILTRO AEA 10x2	O RING FOR WATER REFILL FILTER 10x2	JOINT OR FILTRE AUT.REM.EAU 10X2	OR DICHTUNG FUR WASSERFULLUNGFILTER
48	10254	FILTRO ACCIAIO 160-200 MESH	STEEL FILTER 160-200 MESH	FILTRE EN ACIER 160-200 MESH	STAHLFILTER 160-200 MESH
49	4823206	RACCORDO -L- D10 3/8x1/8CON	ELBOW BRASS CONNECTOR D10 3/8X1/8	RACCORD COUDE LAITON D10 3/8X1/8	MESSING FITTING D10 3/8x1/8
50	12155	GUARNIZIONE RAME 8.5x5x1	COPPER GASKET 8.5X5X1	JOINT CU 8.5X5X1	CU DICHTUNG 8.5x5x1
51	10251001	FILTRO IN ACCIAIO D-8 Sp.0,3	STEEL FILTER D-8 - 0.3 THICK	FILTRE EN ACIER D-8 Ep.0,3	STAHLFILTER D-8 Sp.0,3
52	4618162004	ELETTROVALVOLA AEA 208-240V 50-60Hz CW510L	SOL.VALVE WATER REFILL 220/240 50/60HZ	ELECTROVANNE REA 220/240V 50/60Hz	ELEKTROVENTIL AWZ 230/250 V 50/60 Hz
52	4618195	ELETTROVALVOLA AEA 110-120V/50-60Hz CW510L	SOL.VALVE WATER REFILL 110/120V 50/60HZ	ELECTROVANNE REA 110/120V 50/60Hz NSF	ELEKTROVENTIL AWZ 110/120V 50/60HZ NSF
53	23201	RACCORDO GOM.D6.2 1/4M 1/8M-AEA	ELBOW BRASS CONNECTOR D6.2 1/4M 1/8M	RACCORD COUDE LAITON D6.2 1/4M 1/8M	MESSING-ANSCHLUSS D6.2 1/4M 1/8M
54	52001428	TUBO D-6 L.50	TUBE D-6 L.50	TUYAU D-6 L.50	ROHR D-6 L.50
55	52000202	TUBO D-6 L.65	TUBE D-6 L.65	TUYAU D-6 L.65	ROHR D. 6 L.65
56	52000322	TUBO D-8 L.470	TUBE D-8 L.440	TUYAU D-8 L.445	ROHR D. 8 L.445
57	20361	VALVOLA S.C.N.R. REGOLABILE	ADJUSTABLE S.C.N.R. VALVE	SOUPAPE S.C.N.R. REGLABLE	EINSTELLBARES VENTIL S.N.C.R.
58	56122000	ASSIEME DOSATORE	DOSER KIT	KIT DOSEUR	DOSIERER
59	4625686	RACCORDO 1/4Mx1/4M	CONNECTOR 1/4Mx1/4M	RACCORD 1/4Mx1/4M	ANSCHLUSS 1/4Mx1/4M
60	25708	RACCORDO 1/4x1/4	1/4x1/4 FITTING	RACCORD 1/4x1/4	ANSCHLUSS 1/4x1/4
61	12329	GUARNIZIONE OR HNBR 7.66xW1.78	GASKET OR HNBR 7.66xW1.78	JOINT OR HNBR 7.66x1.78	OR DICHTUNG HNBR 7.66xW1.78



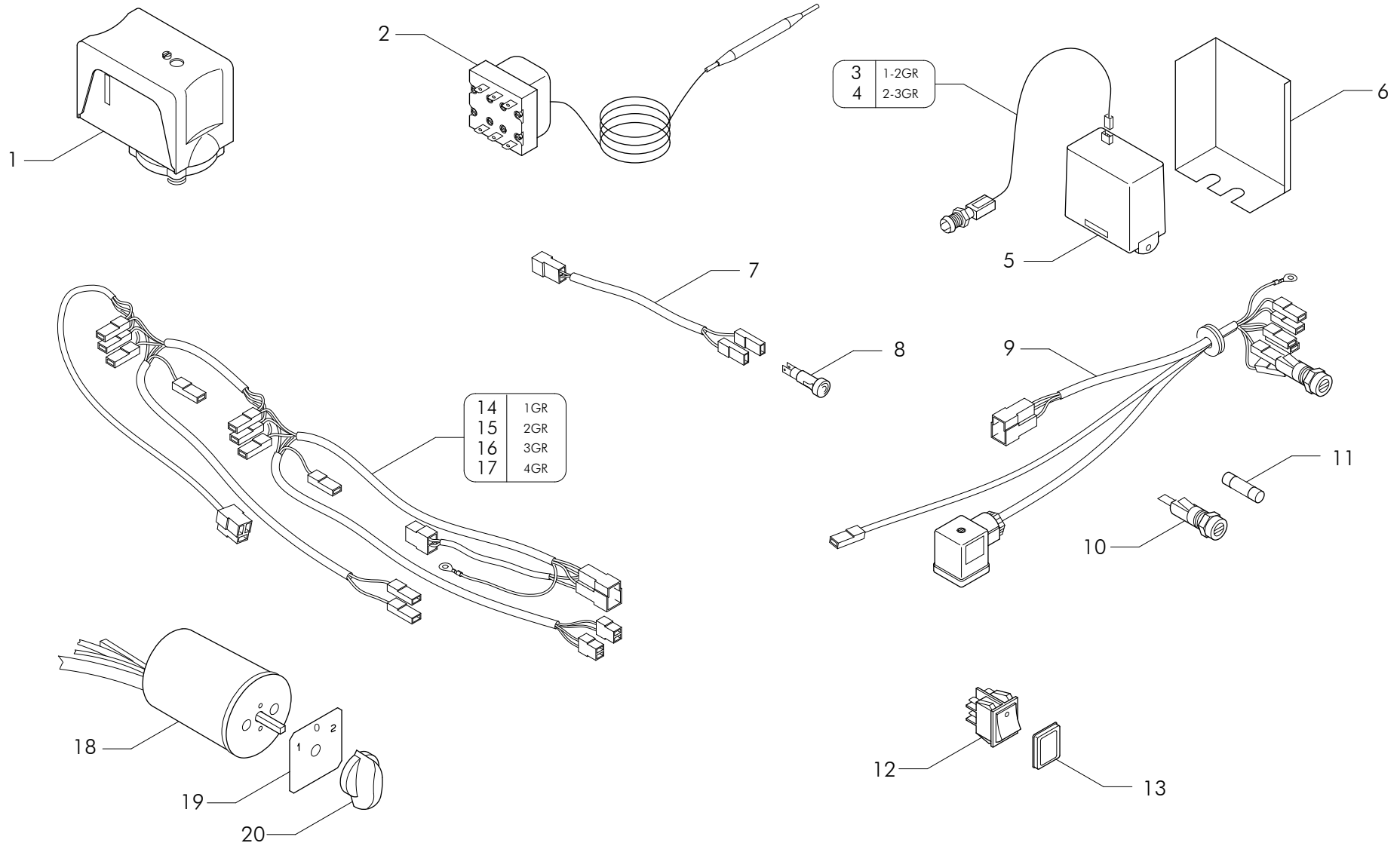
(*) GRUPPI RIALZATI / RAISED GROUPS
GROUPES REHAUSSÉS / ERHOEHTE GRUPPEN

SAE 4GR

Pos	Code	Denominazione - IT -	Denomination - EN -	Denomination - FR -	Denomination - DE -
1	52003934	TUBO D-10 L.210	TUBE D-10 L.210	TUYAU D-10 L.210	ROHR D-10 L.210
2	52000487	TUBO D-10 L.205	TUBE D-10 L.205	TUYAU D-10 L.205	ROHR D-10 L.205
3	52000245	TUBO D-10 L.165	TUBE D-10 L.165	TUYAU D-10 L.165	ROHR D-10 L.165
4	52000488	TUBO D-10 L.200	TUBE D-10 L.200	TUYAU D-10 L.200	ROHR D-10 L.200
5	52000214	TUBO D-10 L.195	TUBE D-10 L.195	TUYAU D-10 L.195	ROHR D-10 L.195
6	52000489	TUBO D-10 L.240	TUBE D-10 L.240	TUYAU D-10 L.240	ROHR D-10 L.240
7	52000272	TUBO D-10 L.135	TUBE D-10 L.135	TUYAU D-10 L.135	ROHR D. 10 L.135
8	52000490	TUBO D-10 L.180	TUBE D-10 L.180	TUYAU D-10 L.180	ROHR D-10 L.180
9	23294001	STROZZATURA RICIRCOLO GR CTS D 2.5	CTS UNIT D 2.5 RECIRC. NECK	ETRANGLEMENT RECYCLAGE GR.D.2.5	ENGSTELLE UMWALZUNG D. 2.5
9	23294003	STROZZATURA RICIRCOLO GR CTS D 4	CTS UNIT D 4 RECIRC. NECK	ETRANGLEMENT RECYCLAGE GR.D.4	ENGSTELLE UMWALZUNG D. 4
10	52003932	TUBO D-6 L.165	TUBE D-6 L.165	TUYAU D-6 L.165	ROHR D-6 L.165
11	52000429	TUBO D-4 L.880	TUBE D-4 L.880	TUYAU D-4 L.880	ROHR D-4 L.880
12	4652003059	TUBO D-2 L.1500	TUBE D-2 L.1500	TUYAU D-2 L.1500	ROHR D-2 L.1500
13	44002	COPRILIVELLO VERNICIATO BIANCO	LEVEL INDICATOR COVER PAINTED WHITE	COUVRE-NIVEAU LAQUE BLANC	NIVEAUDECKEL
14	56001	ASSIEME TUBO LIVELLO	LEVEL TUBE UNIT	ENSEMBLE TUBE DE NIVEAU	ROHRSATZ FUR NIVEAU
15	53002	CORPO LIVELLO SUPERIORE	UPPER LEVEL CONNECTOR	CORPS DE NIVEAU SUPERIEUR	OBERNIVEAUKORPER
16	53001	CORPO LIVELLO INFERIORE	LOWER LEVEL CONNECTOR	CORPS DE NIVEAU INFERIEUR	UNTERNIVEAUKORPER
17	12200	GUARNIZIONE 16x10x8	GASKET 16X10X8	JOINT 16X10X8	DICHTUNG 16x10x8
18	25652	RONDELLA OTTONE D17.8	BRASS WASHER D.17.8	RONDELLE LAITON D.17.8	MESSING-SCHEIBE D.17.8
19	25383	DADO OTTONE M20x1.5	BRASS NUT 20X1.5	ECROU LAITON 20X1.5	MESSING-MUTTER 20x1.5
20	21300	TUBO VETRO LIVELLO 11x8x170	GLASS LEVEL TUBE 11X8X170	TUBE NIVEAU EN VERRE 11X8X170	NIVEAU GLASROHR 11x8x170
21	12153	GUARNIZIONE RAME 1/4 17x13.3x1.5	GASKET 1/4 17x13.3x1.5 COPPER	JOINT CUIVRE 1/4 17x13.3x1.5	KUPFERDICHTUNG 1/4 17x13.3x1.5
22	4925780	TAPPO MASCHIO OTTONE 1/4	BRASS MALE CAP 1/4	BOUCHON MALE LAITON 1/4	MESSING-STOPFEN 1/4
23	25356	CONTRODADO OTTONE 3/8	BRASS LOCK NUT 3/8	CONTRE-ECROU LAITON 3/8	MESSING-GEGENMUTTER 3/8
24	25651	RONDELLA OTTONE 3/8	BRASS WASHER 3/8	RONDELLE LAITON 3/8	MESSINGSCHIEBE 3/8
25	52002700	TUBO D-10 L.185	TUBE D-10 L.185	TUYAU D-10 L.185	ROHR D-10 L.185
26	52000400	TUBO D-10 L.110	TUBE D-10 L.110	TUYAU D-10 L.110	ROHR D-10 L.110
27	52000205	TUBO D-6 L.230	TUBE D-6 L.230	TUYAU D-6 L.230	ROHR D. 6 L.230
28	52003212	TUBO D-10 L.320	TUBE D-10 L.320	TUYAU D-10 L.320	ROHR D-10 L.320
29	52000430	TUBO D-6 L.590 GL31	TUBE D-6 L.590 GL31	TUYAU D-6 L.590 GL31	ROHR D-6 L.590 GL31
30	52000415	TUBO D-6 L.530	TUBE D-6 L.530	TUYAU D-6 L.530	ROHR D-6 L.530
31	52000402	TUBO D-6 L.395	TUBE D-6 L.395	TUYAU D-6 L.395	ROHR D-6 L.395
32	52000403	TUBO D-6 L.310	TUBE D-6 L.310	TUYAU D-6 L.310	ROHR D-6 L.310
33	52000363	TUBO D-8 L.380	TUBE D-8 L.380	TUYAU D-8 L.380	ROHR D-8 L.380
34	20354	VALVOLA CHIUSURA AEA	PRESSURE RELEASE TAP BULK UNIT	CLAPET FERMETURE AUT.ARRIVEE EAU	ABSPERRVENTIL x AUT.WASSERZUFUHR
35	52000361	TUBO D-8 L.135	TUBE D-8 L.135	TUYAU D-8 L.135	ROHR D-8 L.135

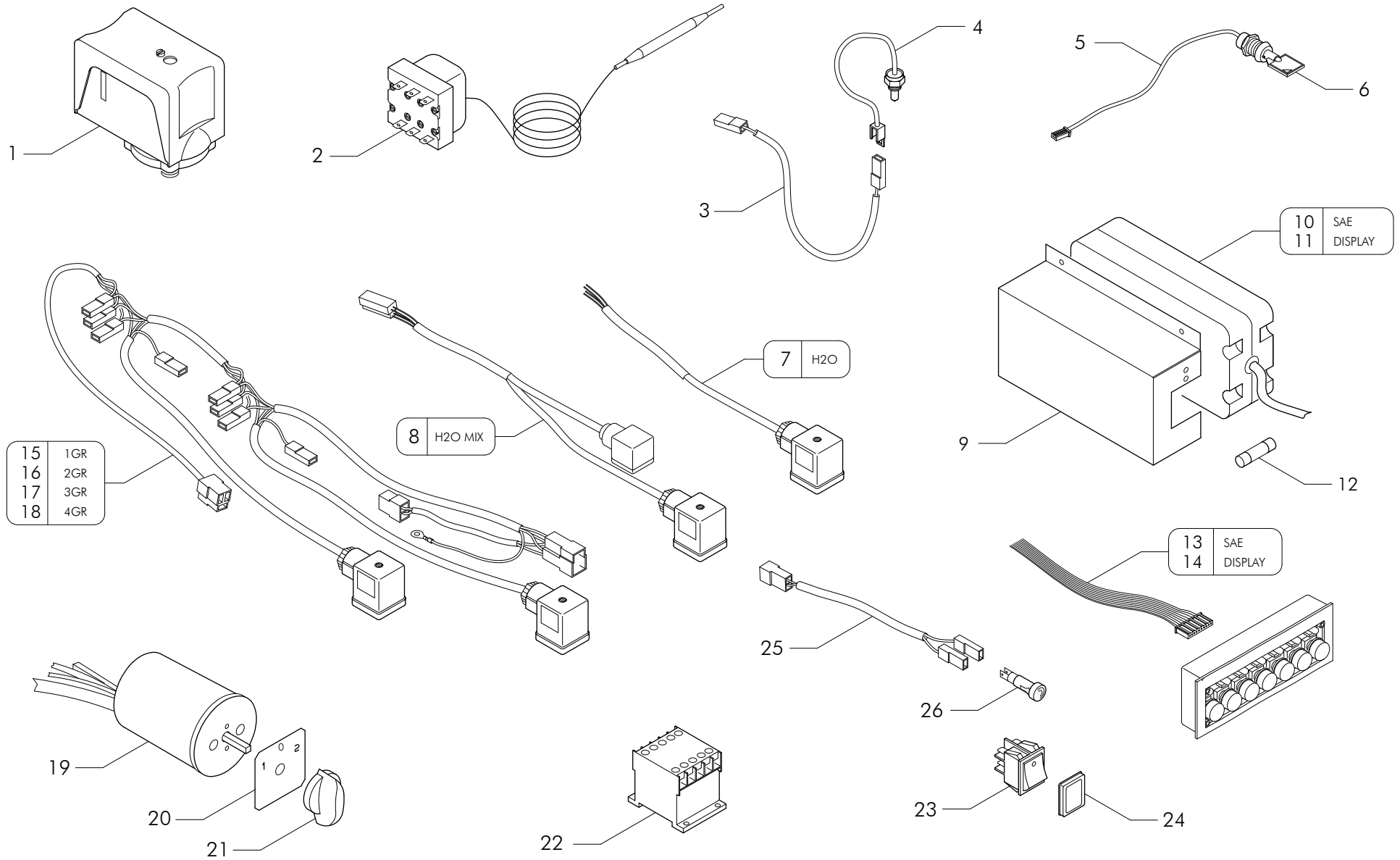
SAE 4GR

Pos	Code	Denominazione - IT -	Denomination - EN -	Denomination - FR -	Denomination - DE -
36	15502	VASCHETTA SCARICO ROTONDA D 80	ROUND DRAIN BASIN D.80mm	CUVE A VIDANGER RONDE D.80mm	RUNDE ABFLUSSCHALE D.80mm
37	52000367	TUBO D-8 L.150	TUBE D-8 L.150	TUYAU D-8 L.150	ROHR D-8 L.150
38	52000321	TUBO D-6 L.255	TUBE D-6 L.255	TUYAU D-6 L.255	ROHR D. 6 L.255
39	52001336	TUBO D-8 L.665	TUBE D-8 L.665	TUYAU D-8 L.665	ROHR D-8 L.665
40	4656134001	BLOCCETTO POMPA	UNIT PUMP	ENSEMBLE POMPE	PUMPENSATZ
41	18126	DOSATORE FLOWMETER	FLOWMETER DOSER	DOSEUR FLOWMETER	DOSIERER FLOWMETER
42	53001001	CORPO LIVELLO INFERIORE	LOWER LEVEL CONNECTOR	CORPS DE NIVEAU INFERIEUR	UNTERNIVEAUKORPER
43	12100	GUARNIZIONE CU/ALIM 1/4 18.7x13.2x2.5	CU GASKET 1/4 18.7X13.2X2.5	JOINT CU 1/4 18.7X13.2X2.5	CU DICHTUNG 1/4 18.7x13.2x2.5
44	43030001	RACCORDO INIETTORE 3/8Fx3/8Mx14F	3/8Fx3/8Mx14F INJECTOR FITTING	RACC. INJECTEUR 3/8Fx3/8Mx14F	ANSCHLUSS EINSPRITZER 3/8Fx3/8Mx14F
45	4643052	RACCORDO "L" 3/8	CONNECTOR 'L' 3/8	RACCORD 'L' 3/8	ANSCHLUSS 'L' 3/8
46	56136004	ASSIEME BLOCCO DISTRIBUZ.2-3-4GR	DISTRIBUTION BLOCK 2-3-4GR	BLOC DISTRIBUTION 2-3-4GR	BLOCK VERTEILER 2-3-4GR
47	4925705	RACCORDO 3/8Fx1/4M	CONNECTOR 3/8X1/4	RACCORD 3/8X1/4	FILTERFITTING 3/8X1/4
48	12312	GUARNIZIONE OR FILTRO AEA 10x2	O RING FOR WATER REFILL FILTER 10x2	JOINT OR FILTRE AUT.REM.EAU 10X2	OR DICHTUNG FUR WASSERFULLUNGFILTER
49	10254	FILTRO ACCIAIO 160-200 MESH	STEEL FILTER 160-200 MESH	FILTRE EN ACIER 160-200 MESH	STAHLFILTER 160-200 MESH
50	4823206	RACCORDO -L- D10 3/8x1/8CON	ELBOW BRASS CONNECTOR D10 3/8X1/8	RACCORD COUDE LAITON D10 3/8X1/8	MESSING FITTING D10 3/8x1/8
51	12155	GUARNIZIONE RAME 8.5x5x1	COPPER GASKET 8.5X5X1	JOINT CU 8.5X5X1	CU DICHTUNG 8.5x5x1
52	10251001	FILTRO IN ACCIAIO D-8 Sp.0,3	STEEL FILTER D-8 - 0.3 THICK	FILTRE EN ACIER D-8 Ep.0,3	STAHLFILTER D-8 Sp.0,3
53	4618162004	ELETTROVALVOLA AEA 208-240V 50-60Hz CW510L	SOL.VALVE WATER REFILL 220/240 50/60HZ	ELECTROVANNE REA 220/240V 50/60Hz	ELEKTROVENTIL AWZ 230/250 V 50/60 Hz
53	4618195	ELETTROVALVOLA AEA 110-120V/50-60Hz CW510L	SOL.VALVE WATER REFILL 110/120V 50/60HZ	ELECTROVANNE REA 110/120V 50/60Hz NSF	ELEKTROVENTIL AWZ 110/120V 50/60HZ NSF
54	23201	RACCORDO GOM.D6.2 1/4M 1/8M-AEA	ELBOW BRASS CONNECTOR D6.2 1/4M 1/8M	RACCORD COUDE LAITON D6.2 1/4M 1/8M	MESSING-ANSCHLUSS D6.2 1/4M 1/8M
55	52001428	TUBO D-6 L.50	TUBE D-6 L.50	TUYAU D-6 L.50	ROHR D-6 L.50
56	20361	VALVOLA S.C.N.R. REGOLABILE	ADJUSTABLE S.C.N.R. VALVE	SOUPAPE S.C.N.R. REGLABLE	EINSTELLBARES VENTIL S.N.C.R.
57	52000202	TUBO D-6 L.65	TUBE D-6 L.65	TUYAU D-6 L.65	ROHR D. 6 L.65
58	52000322	TUBO D-8 L.470	TUBE D-8 L.440	TUYAU D-8 L.445	ROHR D. 8 L.445
59	56122000	ASSIEME DOSATORE	DOSER KIT	KIT DOSEUR	DOSIERER
60	4625686	RACCORDO 1/4Mx1/4M	CONNECTOR 1/4Mx1/4M	RACCORD 1/4Mx1/4M	ANSCHLUSS 1/4Mx1/4M
61	25708	RACCORDO 1/4x1/4	1/4x1/4 FITTING	RACCORD 1/4x1/4	ANSCHLUSS 1/4x1/4
62	12329	GUARNIZIONE OR HNBR 7.66xW1.78	GASKET OR HNBR 7.66xW1.78	JOINT OR HNBR 7.66x1.78	OR DICHTUNG HNBR 7.66xW1.78



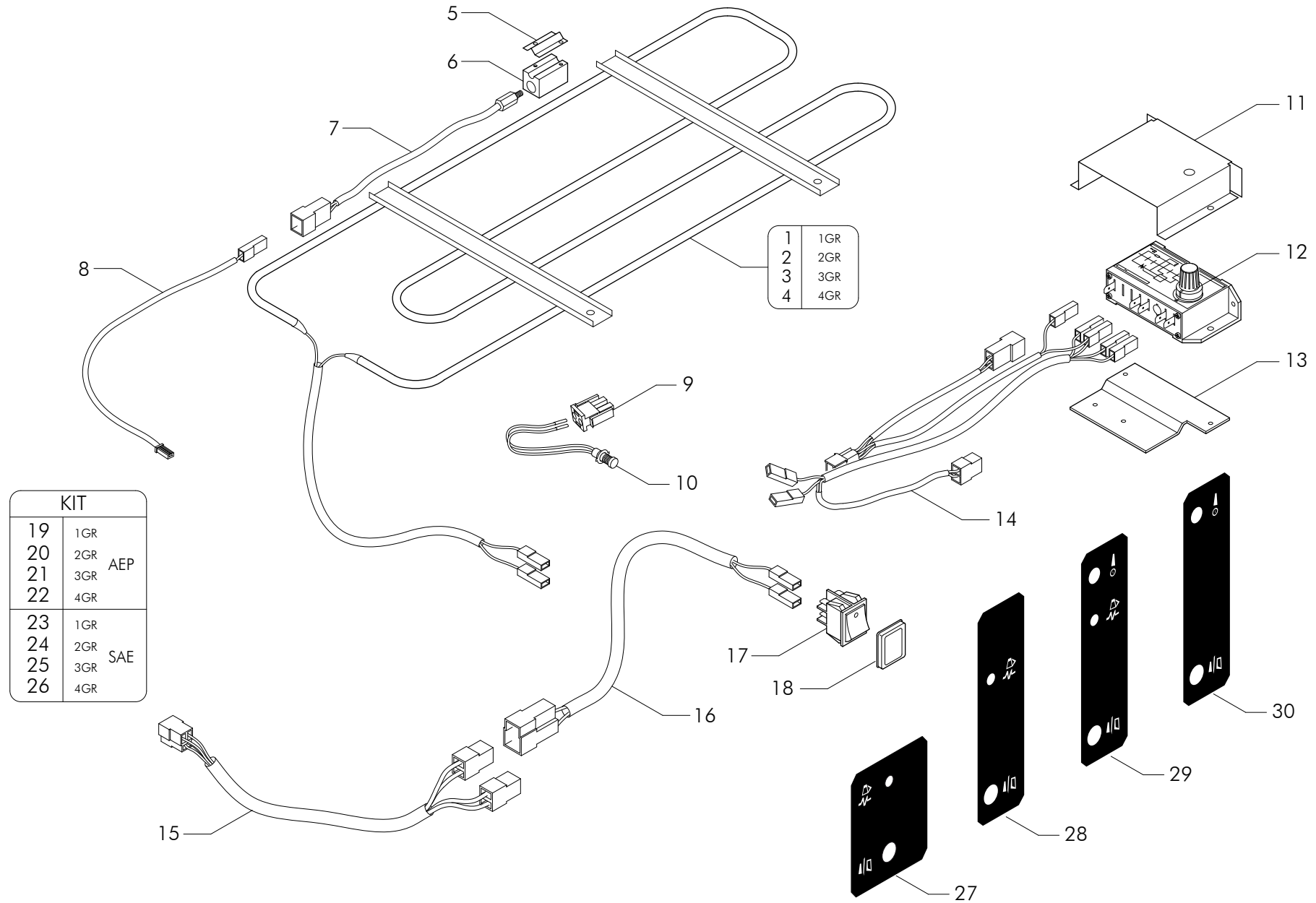
AEP

Pos	Code	Denominazione - IT -	Denomination - EN -	Denomination - FR -	Denomination - DE -
1	20150	PRESSOSTATO SECCO SIRAI 30A	DRY PRESSURE SWITCH SIRAI 30A	PRESSOSTAT SEC SIRAI 30A	TROCKENDRUCKWACHTER SIRAI 30A
2	20300015	TERMOSTATO 169°C	THERMOSTAT 169°C	THERMOSTAT 169°C	THERMOSTAT 169°C
3	22625	CAVO 1/2GR RL30/TIMEOUT CON LED	1/2 CABLE TIMEOUT UNIT WITH LED	CABLE 1/2 GR. RL30/TIMEOUT LED	KABEL 1/2GR. RL30/TIMEOUT MIT LED
4	22626	CAVO 3/4GR RL30/TIMEOUT CON LED	3/4 CABLE TIMEOUT UNIT WITH LED	CABLE 3/4 GR. RL30/TIMEOUT LED	KABEL 3/4GR. RL30/TIMEOUT MIT LED
5	18080001	REGOLATORE LIVELLO RL30 220/240V	LEVEL CONTROL RL30 220/240V	CONTROLE NIVEAU RL30 220/240V	WASSERNIVEAUREGLER RL30 220/240V
5	18081001	REGOLATORE LIVELLO RL30 120V	LEVEL CONTROL RL30 120V	CONTROLE NIVEAU RL30 120V	WASSERNIVEAUREGLER RL30 120V
6	77691005	SUPPORTO AEA RL30 INOX	AWR BEARING RL30 INOX	SUPPORT REA RL30 INOX	AWF HALTER RL30 INOX
7	227181	CABLAGGIO PROLUNGA LAMPADINA	WIRING FOR LAMP	CABLE PROLONGE LAMPE	VERDRAHTUNG LAMPE
7	22718101	CABLAGGIO PROLUNGA LAMPADINA UL	WIRING FOR LAMP UL	CABLE PROLONGE LAMPE UL	VERDRAHTUNG LAMPE UL
8	83210010R	KIT LAMPADA SPIA VERDE	GREEN INDICATOR LIGHT KIT	KIT AMPOULE TEMOIN VERT	KIT KONTROLLEUCHE GRUN
9	22858	CABLAGGIO AEA 1-4GR	CABLE A.W.R. 1-4GR	CABLAGE R.E.A. 1-4GR	VERDRAHTUNG A.W.F.1-4GR
10	19122	PORTAFUSIBILE 6.3A 250V	FUSE HOLDER 6.3A 250V	PORTE-FUSIBLE 6.3A 250V	SICHERUNGSHALTER 6.3A 250V
11	19101	FUSIBILE 5x20 2A	FUSE OMEGA 5x20 2A	FUSIBLE OMEGA 5x20 2A	SCHMELZSICH.OMEGA 5x20 2A
12	18263	INTERRUTTORE BIP. NERO LED LUMIN.ROSSO	BIP. LUMIN. BLACK SWITCH	INTER.BIP.LUMIN. NOIR	ZWEIP.SCHALTER M. SCHWARZ LEUCHE
13	19049	COPERTURA INTERRUTTORE	SWITCH COVER	PROTECTION INTERRUPTEUR	SCHALTER ABD.
14	227701	CABLAGGIO AEP/1 NEW	AEP/1 NEW	CABLAGE AEP/1 NEW	VERKABELUNG AEP/1 NEW
15	227702	CABLAGGIO AEP/2 NEW	AEP/2 NEW CABLING	CABLAGE AEP/2 NEW	VERKABELUNG AEP/2 NEW
16	227703	CABLAGGIO AEP/3 NEW	AEP/3 NEW CABLING	CABLAGE AEP/3 NEW	VERKABELUNG AEP/3 NEW
17	227704	CABLAGGIO AEP/4 NEW	AEP/4 NEW CABLING	CABLAGE AEP/4 NEW	VERDRAHTUNG AEP/4 NEW
18	8318104R	KIT COMMUTATORE BREMAS A20	KIT COMMUTATOR BREMAS A20.12	KIT COMMUTATEUR BREMAS A20.12	KIT UMSCHLATER BREMAS A20.12
18	8318105R	KIT COMMUTATORE BREMAS 32A	KIT COMMUTATOR BREMAS A32.12	KIT COMMUTATEUR BREMAS A32.12	KIT UMSCHALTER BREMAS A32.12
18	8318200R	KIT INTERRUTTORE BREMAS 20A	KIT BREMAS SWITCH A20.02	KIT INTERRUPTEUR BREMAS A20.02	KIT BREMAS SCHALTER A20.02
18	8318201R	KIT INTERRUTTORE BREMAS 20A	KIT BREMAS SWITCH A20.02	KIT INTERRUPTEUR BREMAS A20.03	KIY BREMAS SCHALTER A20.03
18	8318205R	KIT INTERRUTTORE BREMAS 20A	KIT BREMAS SWITCH A20.04	KIT INTERRUPTEUR BREMAS A20.04	KIT BREMAS SCHALTER A20.04
18	8318206R	KIT INTERRUTTORE BREMAS 32A	KIT BREMAS SWITCH A32.02	KIT INTERRUPTEUR BREMAS A32.02	KIT BREMAS SCHALTER A32.02
18	8318207R	KIT INTERRUTTORE BREMAS A32.03	KIT BREMAS SWITCH A32.03	KIT INTERRUPTEUR BREMAS A32.03	KIT BREMAS SCHALTER A32.03
18	8318208R	KIT INTERRUTTORE BREMAS 32A	KIT BREMAS SWITCH A32.04	KIT INTERRUPTEUR BREMAS A32.04	KIT BREMAS SCHALTER A32.04
19	29067	ETICHETTA ADESIVA '1-0-2' NERO PLASTICO 58	ADHESIVE LABEL '1-0-2' BLACK	ETIQ. ADHES. 1-0-2' NOIR	KLEBEETIKETTE '1-0-2'SCHWARZ
19	29068	ETICHETTA ADESIVA '0-1' NERO PLASTICO 58x58	PLASTIC ADHESIVE PLATE 0-1 58X58	PLAQUETTE ADHESIVE 0-1 58X58	KLEBESCHILD 0-1 58x58
20	15271	MANOPOLA INTERR.GENERALE BREMAS	MAIN SWITCH HAND GRIP	MANETTE INTERR. GENERAL	HAUPTSCHALTERGRIF



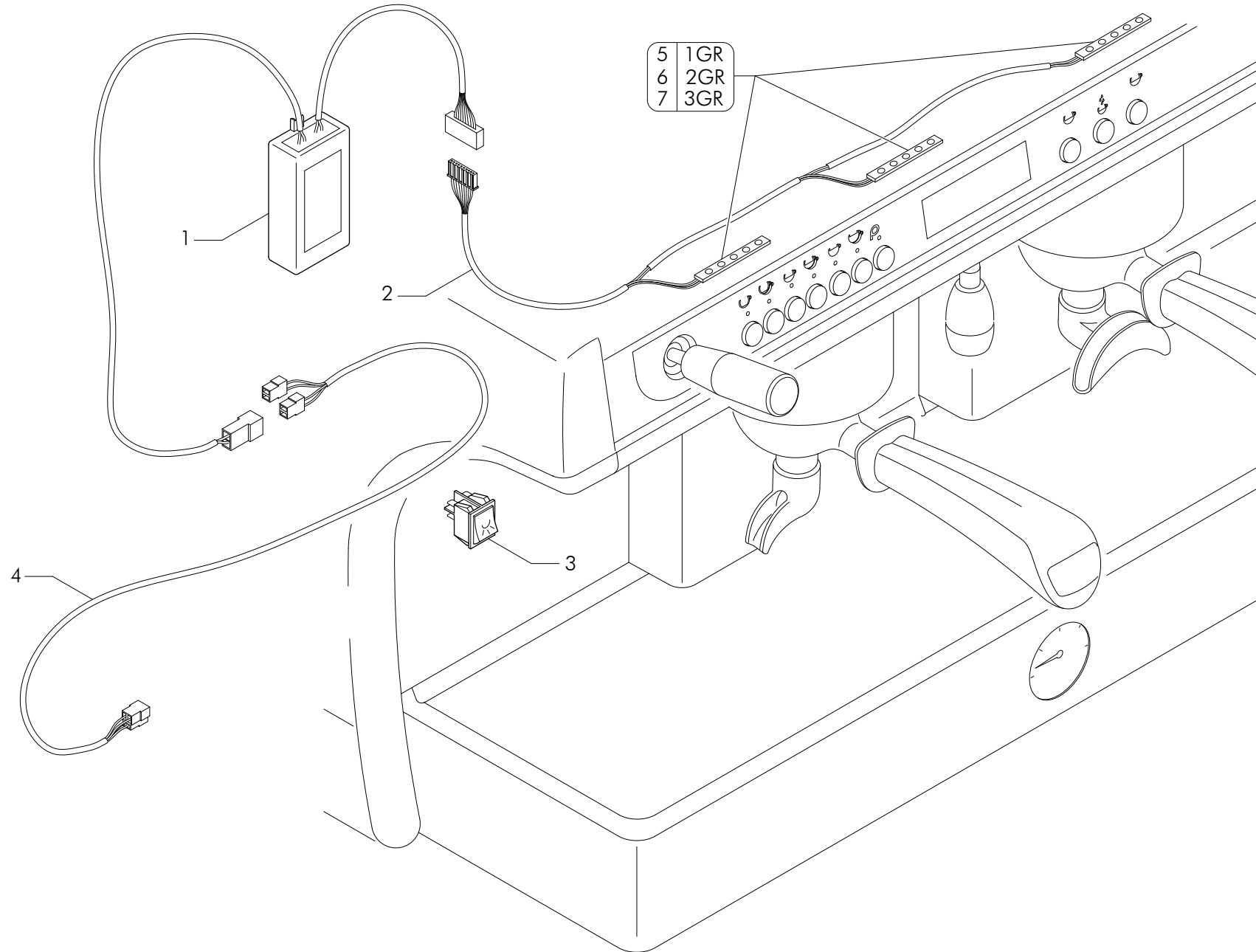
SAE - DISPLAY

Pos	Code	Denominazione - IT -	Denomination - EN -	Denomination - FR -	Denomination - DE -
1	20150	PRESSOSTATO SECCO SIRAI 30A	DRY PRESSURE SWITCH SIRAI 30A	PRESSOSTAT SEC SIRAI 30A	TROCKENDRUCKWACHTER SIRAI 30A
2	20300015	TERMOSTATO 169°C	THERMOSTAT 169°C	THERMOSTAT 169°C	THERMOSTAT 169°C
3	22715900	CABLAGGIO SONDA CALDAIA	CABLE PROBE-BOILER	CABLE FICHE-CHAUDIERE	KABEL ME?SPITZE-KESSEL
4	20306	TERMOSTATO SONDA NTC ES 13	THERMOSTAT NTC ES 13	THERMOSTAT NTC ES 13	THERMOSTAT NTC ES 13
5	22723023	CAVO L.70 INTERRUOTORE PROGRAMMAZIONE	CABLE L.70 KEY PROGRAMM SWITCH	CABLE L.70 POUR INT.PROGRAMMATION	KABEL L.70 FUR PROGRAMM SCHALTER
6	22723022	INTERRUPTORE PROGRAMMAZIONE A CHIAVE	PROGRAMM SWITCH	INTER. PROGRAMMATION	PROGRAMM SCHALTER
7	22719	CABLAGGIO THE	CABLE x AUTOM.TEA	CABLAGE x TE AUTOM.	VERDRAHT.xAUT.TEE
8	22719019	CABLAGGIO H2O/MIX SAE 2>3GR	CABLING H2O/MIX SAE 1-3 UNITS	CABLE EAU/MIX SAE 1-3GR DV/AR	VERLABELUNG H2O/MIX SAE 1-3 GR.
9	78151	SUPPORTO CENTRALINA	CONTROL UNIT SUPPORT	SUPPORT CENTRALE	STEUERUNG-HALTER
10	18090047	CENTRALINA 1-3GR 120V PLUS1	CONTROL BOX 1-3GR 120V PLUS1	CENTRALE 1/3 120V PLUS1	MIKROP. STEUERUNG 1-3 GRUPPING 120V
10	18090048	CENTRALINA 1-3GR 230V PLUS1	CONTROL BOX 1-3GR 230V PLUS1	CENTRALE 1/3 230V PLUS1	MIKROP. STEUERUNG 1-3 GRUPPING 230V
11	18090079	CENTRALINA 1-4GR 120V PLUS2	GEARCASE 1-4GR 120V PLUS2	CENTRALE 1-4GR 120V PLUS2	STEUERUNG 1-4GR 120V PLUS2
11	18090080	CENTRALINA 1-4GR 230V PLUS2	GEARCASE 1-4GR 230V PLUS2	CENTRALE 1-4GR 230V PLUS2	STEUERUNG 1-4GR 230V PLUS2
12	19104	FUSIBILE OMEGA 5x20 T-10A	FUSE OMEGA 5x20 T-10A	FUSIBLE OMEGA 5x20 T-10A	SCHMELZSICHERUNG OMEGA 5x20 T-10A
12	19106	FUSIBILE OMEGA 5x20 T-500mA	FUSE OMEGA 5x20 T-500mA	FUSIBLE OMEGA 5x20 T-500mA	SCHMELZSICHERUNG OMEGA 5x20 T-500mA
13	22627	CAVO PULSANTIERA 10 POLI 80CM	80 CM CONNECTOR FOR P.BUTTON PANEL	CABLE CLAVIER 10 POLES 80 CM	KABEL BEDIENBL. 10 POLIG 80CM
13	22628	CAVO PULSANTIERA 10 POLI 140CM	140 CM CABLE FOR P.BUTTON PANEL	CABLE CLAVIER 10 POLES 140 CM	KABEL BEDIENBL. 10 POLIG 140CM
14	22554007	CAVO MULTIVIE DISPLAY L.140	RIBBON CABLE DISPLAY L.140	CABLAGE DISPLAY L.140	KABEL DISPLAY L.140
15	22803011	CABLAGGIO SAE/1	SAE/1 CABLING	CABLAGE SAE/1	VERKABELUNG SAE/1
16	22803012	CABLAGGIO SAE/2	SAE/2 CABLING	CABLAGE SAE/2	VERKABELUNG SAE/2
17	22803013	CABLAGGIO SAE/3	SAE/3 CABLING	CABLAGE SAE/3	VERKABELUNG SAE/3
18	22803014	CABLAGGIO SAE/4	SAE/4 CABLING	CABLAGE SAE/4	VERKABELUNG SAE/4
19	8318104R	KIT COMMUTATORE BREMAS A20	KIT COMMUTATOR BREMAS A20.12	KIT COMMUTATEUR BREMAS A20.12	KIT UMSCHLATER BREMAS A20.12
19	8318105R	KIT COMMUTATORE BREMAS 32A	KIT COMMUTATOR BREMAS A32.12	KIT COMMUTATEUR BREMAS A32.12	KIT UMSCHALTER BREMAS A32.12
20	29067	ETICHETTA ADESIVA '1-0-2' NERO PLASTICO 58	ADHESIVE LABEL '1-0-2' BLACK	ETIQ. ADHES. 1-0-2' NOIR	KLEBEETIKETTE '1-0-2'SCHWARZ
21	15271	MANOPOLA INTERR.GENERALE BREMAS	MAIN SWITCH HAND GRIP	MANETTE INTERR. GENERAL	HAUPTSCHALTERGRIFF
22	20299003	TELERUTTORE AF16 30A 100/250V	RELAY SWITCH AF16 30A 100/250V	TELERUPTEUR AF16 30A 230/240V	CONTROL SWITCH AF16 30A 230/240V
23	18263	INTERRUPTORE BIP. NERO LED LUMIN.ROSSO	BIP. LUMIN. BLACK SWITCH	INTER.BIP.LUMIN. NOIR	ZWEIP.SCHALTER M. SCHWARZ LEUCHTE
24	19049	COPERTURA INTERRUOTORE	SWITCH COVER	PROTECTION INTERRUPTEUR	SCHALTER ABD.
25	227181	CABLAGGIO PROLUNGA LAMPADINA	WIRING FOR LAMP	CABLE PROLONGE LAMPE	VERDRAHTUNG LAMPE
25	22718101	CABLAGGIO PROLUNGA LAMPADINA UL	WIRING FOR LAMP UL	CABLE PROLONGE LAMPE UL	VERDRAHTUNG LAMPE UL
26	83210010R	KIT LAMPADA SPIA VERDE	GREEN INDICATOR LIGHT KIT	KIT AMPOULE TEMOIN VERT	KIT KONTROLLEUCHTE GRUN



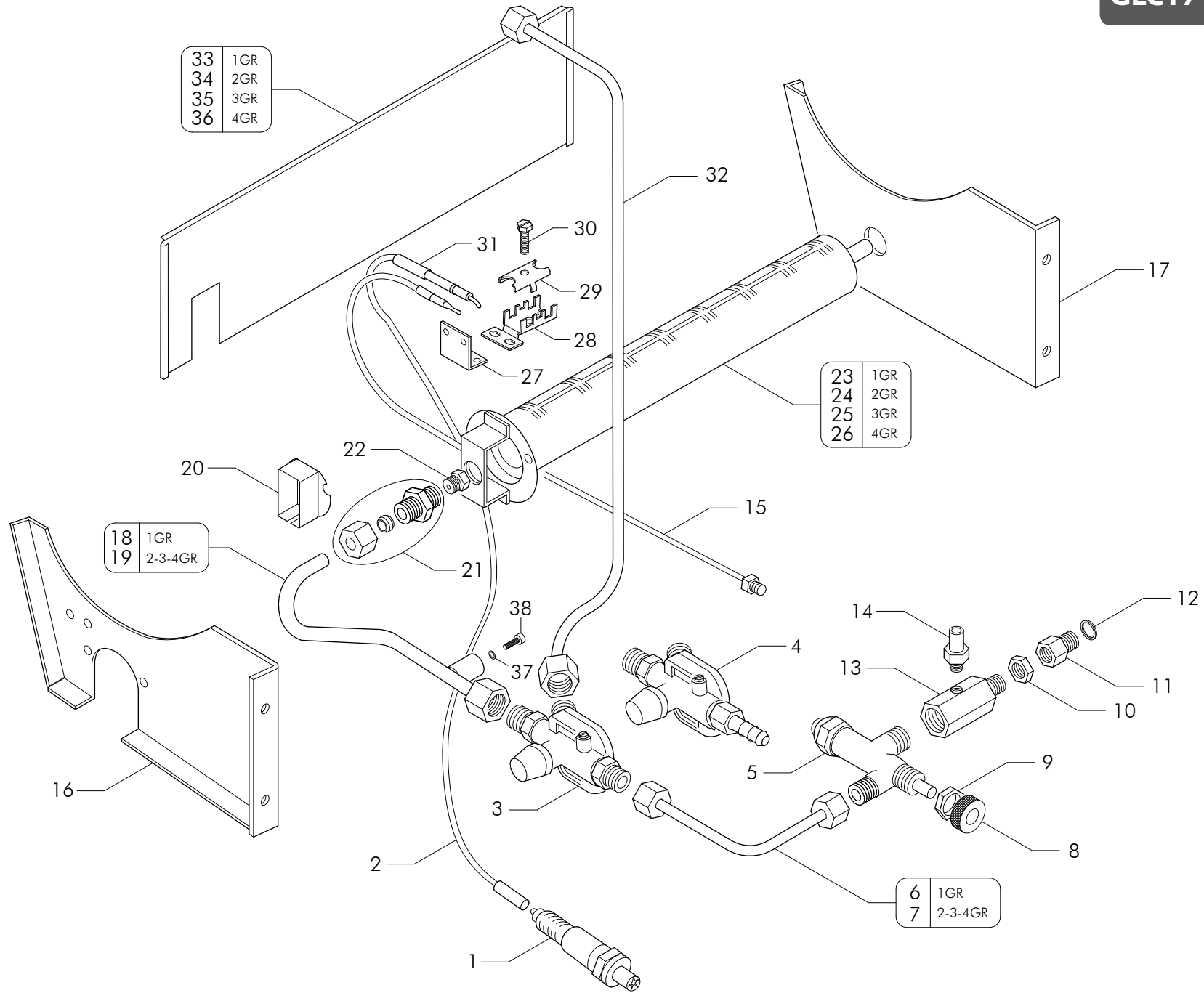
SCALDATAZZE - CUP HEATING - CHAUFFE TASSES - TASSENWARMER

Pos	Code	Denominazione - IT -	Denomination - EN -	Denomination - FR -	Denomination - DE -
1	17019003	RESISTENZA 1GR 230V 100W	HEATING ELEMENT 1GR 230V 100W	RESISTANCE 1GR 230V 100W	WIDERSTAND 1GR 230V 100W
1	17019004	RESISTENZA 1GR 120V 100W	HEATING ELEMENT 1GR 120V 100W	RESISTANCE 1GR 120V 100W	WIDERSTAND 1GR 120V 100W
2	17020	RESISTENZA 2GR 120V 200W	HEATING ELEMENT 2GR 120V 200W	RESISTANCE 2GR 120V 200W	WIDERSTAND 2GR 120V 200W
2	17022	RESISTENZA 2GR 230V 200W	HEATING ELEMENT 2GR 230V 200W	RESISTANCE 2GR 230V 200W	WIDERSTAND 2GR 230V 200W
3	17023	RESISTENZA 3GR 230V 250W	HEATING ELEMENT 3GR 230V 250W	RESISTANCE 3GR 230V 250W	WIDERSTAND 3GR 230V 250W
4	17024	RESISTENZA 4GR 230V 300W	HEATING ELEMENT 4GR 230V 300W	RESISTANCE 4GR 230V 300W	HEIZKORPER 4GR 230V 300W
5	77583100	STAFFA BLOCCHETTO SONDA	BLOCK BRACKET	ETRIER BLOC	ANSCHLAG BUGEL
6	25338000	BLOCCHETTO SONDA NTC	PROBE BLOCK NTC	BLOC SOND E NTC	SONDE ANSCHLAG NTC
7	20306000	SONDA NTC K100 ES 13 SCTE SB	PROBE NTC K100 ES 13	SONDE NTC K100 ES 13	SONDE NTC K100 ES 13
8	22715901	CABLAGGIO SONDA	CABLE PROBE	CABLAGE SOND E	VERKABELUNG SOND E
8	22715904	CABLAGGIO SONDA SCTE UL	CABLE PROBE UL	CABLAGE SOND E UL	VERKABELUNG SOND E UL
9	10760	BLOCCHETTO MASCHIO	MALE BLOCK	MODULE MALE	STECKER
10	21023	LAMPADA SPIA ROSSA 230V	RED PILOT LIGHT 230V	LAMPE TEMOIN ROUGE 230V	ROTE KONTROLLEUCHTE 230V
10	21025	LAMPADA SPIA ROSSA 120V	RED PILOT LIGHT 120V	LAMPE TEMOIN ROUGE 120V	ROTE KONTROLLEUCHTE 120V
11	77692224	PROTEZIONE REGOLATORE TEMPERATURA	THERMOSTAT GUARD	PROTECTEUR THERMOSTAT	ABDECKUNG THERMOSTAT
12	18090039	REGOLATORE TEMP.ELETTR.SCTE 120V	THERMOSTAT 120V	THERMOSTAT 120V	THERMOSTAT 120V
12	18090040	REGOLATORE TEMP.ELETTR.SCTE 230V	THERMOSTAT 230V	THERMOSTAT 230V	THERMOSTAT 230V
13	78206405	SUPPORTO REGOLATORE	THERMOSTAT SUPPORT	SUPPORT THERMOSTAT	THERMOSTAT SUPPORT
14	22717920	CABLAGGIO SCALDATAZZE	ELECTR.CUP HEAT.WIRING	CABLE CHAUFFE-TASSES ELEC.	ELEKTR.VERKABELUNG TASSENWARMER
14	22717922	CABLAGGIO SCALDATAZZE UL	ELECTR.CUP HEAT.WIRING UL	CABLE CHAUFFE-TASSES ELEC. UL	ELEKTR.VERKABELUNG TASSENWARMER UL
15	22717801	CABLAGGIO SDOPPIATORE USCITA UL	CABLE CONNECTION UL	CABLAGE JONCTION UL	VERDRAHTUNG VERBINDUNG UL
15	227181	CABLAGGIO PROLUNGA LAMPADINA	WIRING FOR LAMP	CABLE PROLONGE LAMPE	VERDRAHTUNG LAMPE
16	22723002	CABLAGGIO SCALDATAZZE ELETTRICO 2-4GR	ELECTR.CUP HEAT.WIRING 2-4GR	CABLE CHAUFFE-TASSES ELEC. 2-4GR	ELEKTR.VERKABELUNG TASSENWARMER 2-4GR
16	22723005	CABLAGGIO SCALDATAZZE ELETTRICO 2-4GR UL	ELECTR.CUP HEAT.WIRING 2-4 UNIT UL	CABLE CHAUFFE-TASSES ELEC. 2-4GR UL	ELEKTR.VERKABELUNG TASSENWORMER 2-4 UL
17	18263	INTERRUTTORE BIP. NERO LED LUMIN.ROSSO	BIP. LUMIN. BLACK SWITCH	INTER.BIP.LUMIN. NOIR	ZWEIP.SCHALTER M. SCHWARZ LEUCHTE
18	19049	COPERTURA INTERRUTTORE	SWITCH COVER	PROTECTION INTERRUPTEUR	SCHALTER ABD.
19	80123025R	KIT SCALDATAZZE AEP/1 CTS 120V	KIT ELECTR. CUP HEATING AEP/1 CTS 120V	CHAUFFE-TASSES ELEC. AEP/1 CTS 120V	ELEKTR. TASSENWARMER AEP/1 CTS 120V
20	80123027R	KIT SCALDATAZZE AEP/2 CTS 120V	ELECTR. CUP HEATING AEP/2 CTS 120V	CHAUFFE-TASSES ELEC. AEP/2 CTS 120V	ELEKTR. TASSENWARMER AEP/2 CTS 120V
21	80123029R	KIT SCALDATAZZE AEP/3 CTS 230V	ELECTR. CUP HEATING AEP/3 CTS 230V	CHAUFFE-TASSES ELEC. AEP/3 CTS 230V	ELEKTR. TASSENWARMER AEP/3 CTS 230V
22	80123030R	KIT SCALDATAZZE AEP/4 CTS 230V	ELECTR. CUP HEATING AEP/4 CTS 230V	CHAUFFE-TASSES ELEC. AEP/4 CTS 230V	ELEKTR. TASSENWARMER AEP/4 CTS 230V
23	80123031R	KIT SCALDATAZZE SAE/1 CTS 120V	ELECTR. CUP HEATING SAE/1 CTS 120V	CHAUFFE-TASSES ELEC. SAE/1 CTS 120V	ELEKTR. TASSENWARMER SAE/1 CTS 120V
24	80123033R	KIT SCALDATAZZE SAE/2 CTS 120V	ELECTR. CUP HEATING SAE/2 CTS 120V	CHAUFFE-TASSES ELEC. SAE/2 CTS 120V	ELEKTR. TASSENWARMER SAE/2 CTS 120V
25	80123035R	KIT SCALDATAZZE SAE/3 CTS 230V	ELECTR. CUP HEATING SAE/3 CTS 230V	CHAUFFE-TASSES ELEC. SAE/3 CTS 230V	ELEKTR. TASSENWARMER SAE/3 CTS 230V
26	80123036R	KIT SCALDATAZZE SAE/4 CTS 230V	ELECTR. CUP HEATING SAE/4 CTS 230V	CHAUFFE-TASSES ELEC. SAE/4 CTS 230V	ELEKTR. TASSENWARMER SAE/4 CTS 230V
27	29066003	ETICHETTA ADESIVA "0-1+SCTZ" 70x58	ADHESIVE LABEL "0-1+SCTZ"	ET.AD. SAE+DISPLAY NOIR 70x58	KLEBEETIKETT SAE+DISPLAY 70x58
28	29066004	ETICHETTA ADESIVA "0-1+SCTZ" 148x58	ADHESIVE LABEL "0-1+CUP-WARMER" SAE	ET.AD."0-1+SCTZ" SAE NOIR 120x35	KLEBEETIKETT SAE 120x35
29	29066006	ETICHETTA ADESIVA "0-1+SCTZ+TIMEOUT" 148x5	ADHESIVE LABEL "0-1+SCTZ+TIMEOUT"	ET.AD."0-1+SCTZ+TIMEOUT" AEP 120x35	KLEBEETIKETT AEP 120x35
30	29066008	ETICHETTA ADESIVA "0-1+TIMEOUT" AEP 120x35	AD.LABEL "0-1+TIMEOUT" AEP 120x35	ET.AD."0-1+TIMEOUT" AEP 120x35	KLEBEETIKETT AEP 120x35



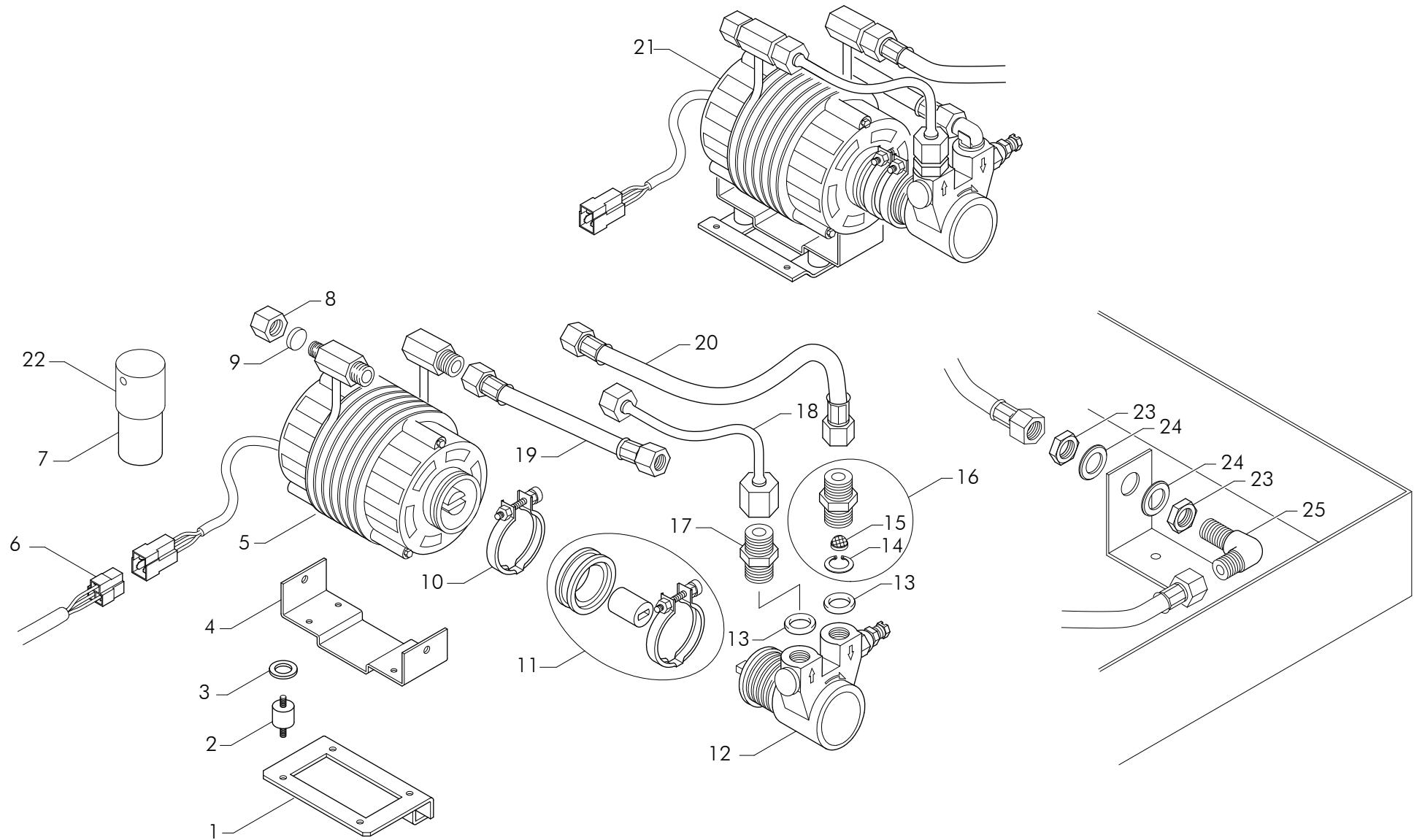
LED

Pos	Code	Denominazione - IT -	Denomination - EN -	Denomination - FR -	Denomination - DE -
1	18559014	ALIMENTATORE LED	LED POWER UNIT	ALIMENTATION LED	LED NETZTEIL
2	22715979	CABLAGGIO LED	LED CABLING	CABLAGE LED	VERKABELUNG LED
3	18371143	INTERRUTTORE NERO	SWITCH BLACK	INTERRUPTEUR NOIR	SCHALTER SCHWARZ
4	227178	CABLAGGIO SDOPPIATORE USCITA	CABLE CONNECTION	CABLAGE JONCTION	VERDRAHTUNG VERBINDUNG
5	18371168	STRIP LED 1GR	STRIP LED 1GR	STRIP LED 1GR	STRIP LED 1GR
6	18371169	STRIP LED 2GR	STRIP LED 2GR	STRIP LED 2GR	STRIP LED 2GR
7	18371170	STRIP LED 3GR	STRIP LED 3GR	STRIP LED 3GR	STRIP LED 3GR



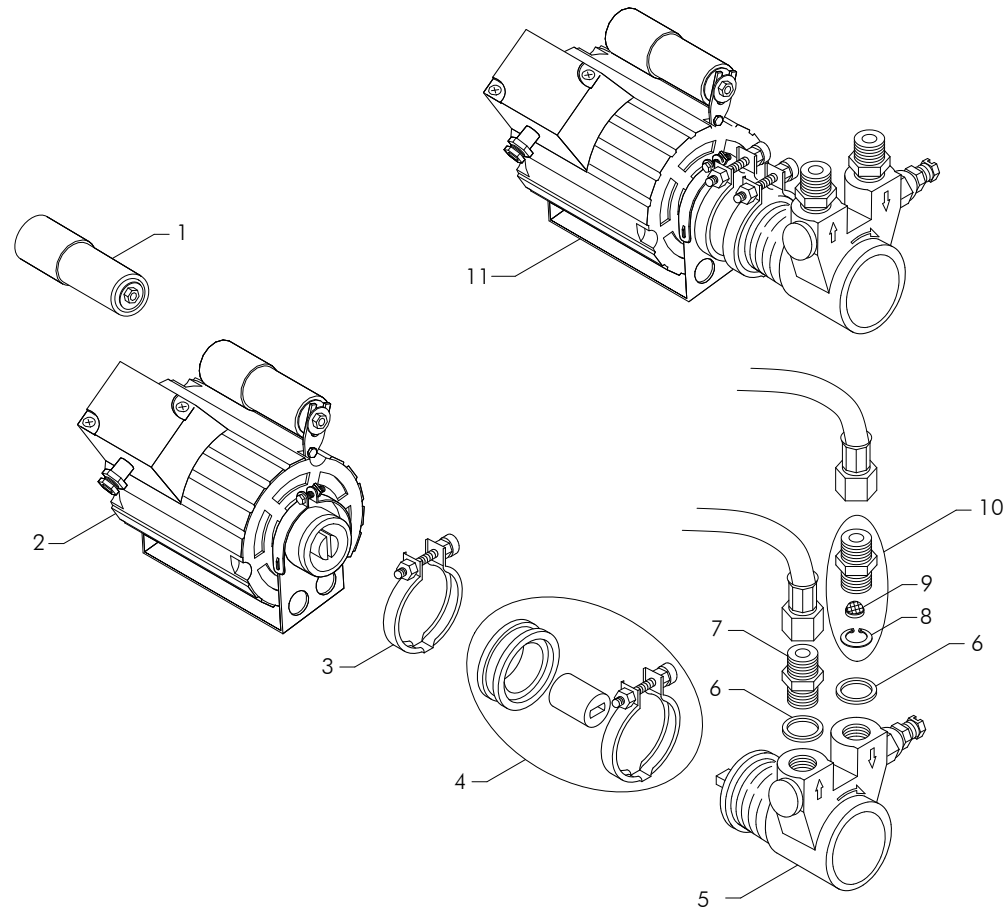
Pos	Code	Denominazione - IT -	Denomination - EN -	Denomination - FR -	Denomination - DE -
1	15010	BLOCCO+COL.AVN M22x1.5 SIT 0073952	GAS STARTER M22X1.5 SIT 0073952	BLOC ALLUMAGE GAZ	ZUNDUNGSPERRE GAS AVN M22x1.5
2	22002	CAVO AL GAS/SIT 0028511 PIEZ L800	GAS/SIT FEEDING CABLE 0028520 L800	CABLE ALIMENTATION GAZ SIT 0028520	GAS/SIT SPEISEKABEL 0028520 L800
3	51005	ASSIEME REGOLATORE GAS SICUREZZA	GAS REGULATOR	ENSEMBLE REGULATEUR GAZ	GASREGELUNGSSATZ
4	51003	ASSIEME REGOLATORE GAS NORMALE POLI	NORMAL GAS REGULATOR SET *POLES*	ENSEMBLE REGULATEUR GAZ NORMAL	GASREGELUNGSSATZ
5	20221	RUBINETTO SICUREZZA GAS SIT	GAS SECURITY VALVE SIT	ROBINET SURETE GAZ SIT	GASSICHERHEITSHAHN SIT
6	52001454	TUBO D-8 L.95	TUBE D-8 L.95	TUYAU D-8 L.95	ROHR D-8 L.95
7	52000222	TUBO D-8 L.130	TUBE D-8 L.135	TUYAU D-8 L.135	ROHR D-8 L.135
8	10350	GHIERA GAS SIT	GAS RING NUT SIT	EMBOUT POUR GAZ SIT	GASZWINGE SIT
9	23019	DADO M12x1 OTTONE	S.I.T. BRASS NUT M12X1	ECROU M12X1 LAITON POUR S.I.T.	MESSING SCHRAUBENMUTTER M12x1
10	25396	DADO 1/4 SP.4	NUT 1/4 - 4 THICK	ECROU 1/4 SP.4	MUTTER 1/4
11	25715010	RACCORDO DRITTO 1/4F 1/4M CONICO	CONNECTOR 1/4 F 1/4 M	RACCORD DROIT 1/4 F 1/4 M	ANSCHLUSS 1/4F 1/4M
12	12662004	GUARNIZIONE ALL.11x7x1.5	GASKET 11x7x1.5	JOINT 11x7x1.5	DICHTUNG 11x7x1.5
13	25621100	PROLUNGA RUBINETTO GAS	EXTENSION GAS	RALLONGE GAZ	VERLANGERUNGAS
14	25621005	PRESA DI PRESSIONE 1/8 GAS	CONNECTOR 1/8	RACCORD 1/8	ANSCHLUSS 1/8
15	18552	TERMOCOPPIA SIT 0290004 L600	THERMOCOUPLE SIT L=600	TIGE THERMOCOUPLE GAZ L=600	THERMOELEMENT SIT 02900040L600
16	780662	SUPPORTO SINISTRO GAS	LEFT SUPPORT FOR GAS	SUPPORT GAUCHE POUR GAZ	GESTELL GAS LINK
17	780661	SUPPORTO DESTRO GAS	RIGHT SUPPORT FOR GAS	SUPPORT DROIT POUR GAZ	GESTELL GAS RECHT
18	52001317	TUBO D-10 L.235	TUBE D-10 L.235	TUYAU D-10 L.235	ROHR D-10 L.235
19	52000223	TUBO D-10 L.215	TUBE D-10 L.215	TUYAU D-10 L.215	ROHR D-10 L.215
20	10660	REGOLATORE ARIA	AIR REGULATOR	REGULATEUR AIR	LUFTREGLER
21	23220	RACCORDO PORTAUGELLO	NOZZLE-BEARER CONNECTOR	RACCORD PORTE-GIGLEUR	FITTING FUR DUSETRAGER
22	10900	UGELLO EM 1.00N METANO	METHANE NOZZLE EM 1.00N	GICLEUR EM 1.00N METHANE	DUSE EM 1.00N METHAN
22	10901	UGELLO EM 0.60N GPL	GPL NOZZLE EM 0.60N	GICLEUR EM 0.60N G P L	DUSE EM 0.60N G P L
22	10903	UGELLO EM 1.10N METANO	METHANE NOZZLE EM 1.10N	GICLEUR EM 1.10N METHANE	DUSE EM 1.10N METHAN
22	10904	UGELLO EM 0.65N GPL	GPL NOZZLE EM 0.65N	GICLEUR EM 0.65N GPL	DUSE EM 0.65N GPL
22	10906	UGELLO EM 1.35N METANO	METHANE NOZZLE EM 1.35N	GICLEUR EM 1.35N METHANE	DUSE EM 1.35N METHAN
22	10907	UGELLO EM 0.80N GPL	GPL NOZZLE EM 0.80N	GICLEUR EM 0.80N G P L	DUSE EM 0.80N G P L
22	10909	UGELLO EM 1.45N METANO	METHANE NOZZLE EM 1.45N	GICLEUR EM 1.45N METHANE	DUSE EM 1.45N METHAN
22	10910	UGELLO EM 0.85N GPL	GPL NOZZLE EM 0.85N	GICLEUR EM 0.85N G P L	DUSE EM 0.85N G P L
23	30010	BRUCIATORE 1GR 305/12 POLI	1 GROUP BURNER 305/12 POLES	BRULEUR 1GR 305/12 POLES	BRENNER 1GR 305/12 POLEN
24	30011	BRUCIATORE 2GR 306/12 POLI	2 GROUPS BURNER 306/12 POLES	BRULEUR 2GR 306/12 POLES	BRENNER 2GR 06/12 POLEN
25	30012	BRUCIATORE 3GR 307/12 POLI	3-4 GROUPS BURNER 307/12 POLES	BRULEUR 3-4GR 307/12 POLES	BRENNER 3-4GR 307/12 POLEN
26	30013	BRUCIATORE 4GR 102.0211.00 POLI	4GR BURNER 102.0211.00 POLES	BRULEUR 4GR 102.0211.00 POLES	BRENNER 4GR 102.0211.00 POLEN
27	780663	SUPPORTO TERMOCOPPIA GAS 20/10	SUPPORT FOR THERMOCOUPLE GAS	SUPPORT POUR THERMOCOUPLE GAZ	GESTELL THERMOELEMENT
28	10751	SUPPORTO TERMOCOPPIA SIT 0978021	THERMOCOUPLE SIT STAND 0978021	SUPPORT THERMOCOUPLE SIT 0978021	THERMOELEMENT HALTER SIT 0978021
29	10750	SUPPORTO TERMOCOPPIA SIT 0978009	THERMOCOUPLE SIT STAND 0978009	SUPPORT THERMOCOUPLE SIT 0978009	THERMOELEMENT HALTER SIT 0978009

Pos	Code	Denominazione - IT -	Denomination - EN -	Denomination - FR -	Denomination - DE -
30	23410	VITE TE UNI 3/16x18	SCREW TE 3/16X18	VIS TE 3/16X18	SCHRAUBE TE UNI 3/16x18
31	20030	CANDELA M 4 PILOTA 0100 0915036	PILOT SPARK PLUG M4 0100 GAS	BOUGIE M 4 PILOTE	KERZE M 4 0100 SIC/GAS
32	52000346	TUBO D-6 L.390	TUBE D-6 L.390	TUYAU D-6 L.390	ROHR D-6 L.390
33	77421002	COPRICALDAIA 1GR	BOILER COVER 1GR	COUVRE-CHAUDIERE 1GR	KESSELDECKEL 1GR
34	77422002	COPRICALDAIA 2GR	BOILER COVER 2GR	COUVRE-CHAUDIERE 2GR	KESSELDECKEL 2GR
35	77423002	COPRICALDAIA 3GR	BOILER COVER 3GR	COUVRE-CHAUDIERE 3GR	KESSELDECKEL 3GR
36	77424002	COPRICALDAIA 4GR	BOILER COVER 4GR	COUVRE-CHAUDIERE 4GR	KESSELDECKEL 4GR
37	12155001	GUARNIZIONE CU 8.5x3.3x1	COPPER GASKET 8.5X3.3X1	JOINT CU 8.5X3.3X1	CU DICHTUNG 8.5x3.3x1
38	23564000	VITE TCEI INOX M3x8	STEEL SCREW TCEI M3x8	VIS INOX TCEI M3x8	VITE TCEI INOX M3x8



INCORPORATA - BUILT-IN - INCORPORÉ - EINGEBAUTE

Pos	Code	Denominazione - IT -	Denomination - EN -	Denomination - FR -	Denomination - DE -
1	78167	SUPPORTO MOTOPOMPA	MOTORPUMP BEARING	SUPPORT MOTEURPOMPE	MOTORPUMPE-HALTER
2	15105	GOMMA AMMORTIZZATORE	RUBBER FOR MOTOR	CAOUTCHOUC POUR MOTEUR	GUMMI x MOTOR
3	23265	RONDELLA 4x12	WASHER 4x12	RONDELLE 4x12	SCHEIBE 4x12
4	78174	SUPPORTO MOTORE	MOTOR SUPPORT	SUPPORT MOTEUR	EINGEBAUTER MOTORHALTER
5	4656406	MOTORE RPM CW510L 230V-50/60Hz	MOTOR RPM 230-50/60Hz CW510L	MOTEUR RPM 230- 50/60HZ CW510L	MOTOR RPM 230-50/60Hz CW510L
5	4656407	MOTORE RPM 120V 60Hz R.H2O	MOTOR RPM CW510L	MOTOR RPM CW510L	MOTOR RPM CW510L
6	227173	CABLAGGIO MOTORE	MOTOR CABLE	CABLAGE MOTEUR	MOTOR VERSKABELUNG
7	19062001	CONDENSATORE MOTORE 230V 7uF	MOTOR CAPACITOR 230V 7uF	CONDENSATEUR MOTEUR 230V 7uF	KONDENSATOR MOTOR 230V 7uF
8	25782	TAPPO FEMMINA 1/4 GAS	1/4 GAS FEMALE TAP	BOUCHON FEMELLE 1/4 GAZ	INNENANSCHLUSSSTOPSEL 1/4 GAS
9	12007	GUARNIZIONE KLINGERSIL4400	KLINGERSIL4400 SEAL	JOINT KLINGERSIL4400	DICHTUNG KLINGER SIL4400
10	26310003	FASCETTA GIUNZIONE MOTORE-POMPA	CLAMP MOTOR-PUMP	BANDE MOTEUR-POMPE	SHELLE MOTOR-PUMPE
11	83260016R	KIT DISACCOPIAMENTO MOTORE POMPA	KIT DECOUPLING MOTOR-PUMP	ENSEMBLE DECOUPLAGE MOTEUR POMPE	KIT MOTOR-PUMPE KUPPLUNG
12	4626303	POMPA FLUID-O-TECH 204	PUMP FLUYD 204	POMPE 204	PUMPE 204
12	4626303001	POMPA FLUID-O-TECH 104	PUMP FLUYD 104	POMPE 104	PUMPE 104
13	12101	GUARNIZIONE RAME 3/8 22x17x3	GASKET COPPER 3/8 22x17x3	JOINT CUIVRE 3/8 22x17x3	KUPFERDICHTUNG 3/8 22x17x3
14	10005	ANELLO DI ARRESTO INOX	STAINLESS STEEL STOP RING	ANNEAU DE BUTEE INOX	DRAHTSPRENGRING ROSTFREI
15	10254	FILTRO ACCIAIO 160-200 MESH	STEEL FILTER 160-200 MESH	FILTRE EN ACIER 160-200 MESH	STAHLFILTER 160-200 MESH
16	4956116	RACCORDO 3/8+3/8	CONNECTOR 3/8+3/8 PUMP ASSEMBLY	RACCORD 3/8 + 3/8 ENS. MOTOPOMPE	ANSCHLUSS 3/8 + 3/8 MOTORP. ZUSAMMEN
17	4925687	RACCORDO 3/8x3/8	3/8x3/8 FITTING	RACCORD 3/8x3/8	ANSCHLUSS 3/8x3/8
18	52002814	TUBO D-6 L.200	TUBE D-6 L.200	TUYAU D-6 L.200	ROHR D-6 L.200
19	4630404	TUBOFLEX 3/8 L.45	FLEX PIPE 3/8 L.45	TUYAU FLEX 3/8 L.45	SCHLAUCH 3/8 L.45
20	4630408	TUBOFLEX 3/8FF L.150	FLEX PIPE 3/8 L.150	TUYAU FLEX 3/8 FF L.150	SCHLAUCH 3/8 L.150
21	56123008	ASSIEME MOTORE 120V + POMPA	UNIT MOTOR 120V + PUMP	ENSEMBLE MOTEUR 120V + POMPE	SATZ MOTOR 120V + PUMPE
21	56123009	ASSIEME MOTORE 230V + POMPA	UNIT MOTOR 230V + PUMP	ENSEMBLE MOTEUR 230V + POMPE	SATZ MOTOR 230V + PUMPE
22	15200002	CAPPUCCIO PER CONDENSATORE	CAPACITOR CAP	HOTTE CONDENSATEUR	HOOD KONDENSATOR
23	25356	CONTRODADO OTTONE 3/8	BRASS LOCK NUT 3/8	CONTRE-ECROU LAITON 3/8	MESSING-GENENMUTTER 3/8
24	25651	RONDELLA OTTONE 3/8	BRASS WASHER 3/8	RONDELLE LAITON 3/8	MESSINGSCHLEIBE 3/8
25	43067	RACCORDO "L" 3/8 GASx3/8 GAS L.30	3/8 GAS X 3/8 GAS L FITTING L.30	RACCORD L 3/8 GAZx3/8 GAZ L.30	ANSCHLUSS L 3/8 GAS x 3/8 GAS L. 30



ESTERNA - EXTERNAL - EXTÉRIEUR - AUSSENANSICHT

Pos	Code	Denominazione - IT -	Denomination - EN -	Denomination - FR -	Denomination - DE -
1	19050	CONDENSATORE MOTORE 220V 10mF	MOTOR CAPACITOR 220V 10mF	CONDENSATEUR MOTEUR 220V 10mF	MOTORKONDENSATOR 220V 10mF
1	19064	CONDENSATORE MOTORE 230V 6uF	MOTOR CAPACITOR 230V 6uF	CONDENSATEUR MOTEUR 230V 6uF	KONDENSATOR MOTOR 230V 6uF
2	18302	MOTORE RPM 230/50-60	MOTOR RPM 230/V 50-60Hz	MOTEUR RPM 230/50-60	MOTOR RPM 230/50
2	18307	MOTORE RPM 120V UL	MOTOR RPM 120V UL	MOTEUR RPM 120V UL	MOTOR RPM 120V
2	18308001	MOTORE RPM 240V/50-60Hz 262W	MOTOR RPM 240V/50-60Hz 262W	MOTEUR RMP 240V/50-60Hz 262W	MOTOR RPM 240/50-60Hz 262W
3	26310003	FASCETTA GIUNZIONE MOTORE-POMPA	CLAMP MOTOR-PUMP	BANDE MOTEUR-POMPE	SHELLE MOTOR-PUMPE
4	83260016R	KIT DISACCOPIAMENTO MOTORE POMPA	KIT DECOUPLING MOTOR-PUMP	ENSEMBLE DECOUPLAGE MOTEUR POMPE	KIT MOTOR-PUMPE KUPPLUNG
5	4626303	POMPA FLUID-O-TECH 204	PUMP FLUYD 204	POMPE 204	PUMPE 204
5	4626303001	POMPA FLUID-O-TECH 104	PUMP FLUYD 104	POMPE 104	PUMPE 104
6	12154	GUARNIZIONE CU 3/8 22x17x1.5	GASKET COPPER 3/8 22x17x1,5	JOINT CUIVRE 3/8 22x17x1.5	KUPFERDICHTUNG 3/8 22x17x1.5
7	4925687	RACCORDO 3/8x3/8	3/8x3/8 FITTING	RACCORD 3/8x3/8	ANSCHLUSS 3/8x3/8
8	10005	ANELLO DI ARRESTO INOX	STAINLESS STEEL STOP RING	ANNEAU DE BUTEE INOX	DRAHTSPRENGRING ROSTFREI
9	10254	FILTRO ACCIAIO 160-200 MESH	STEEL FILTER 160-200 MESH	FILTRE EN ACIER 160-200 MESH	STAHLFILTER 160-200 MESH
10	4956116	RACCORDO 3/8+3/8	CONNECTOR 3/8+3/8 PUMP ASSEMBLY	RACCORD 3/8 + 3/8 ENS. MOTOPOMPE	ANSCHLUSS 3/8 + 3/8 MOTORP. ZUSAMMEN
11	83560035R	KIT MOTOPOMPA 230V	KIT MOTOR-PUMP 230V	ENSEMBLE MOTEUR-POMPE 230V	KIT MOTOR-PUMPE 230V