

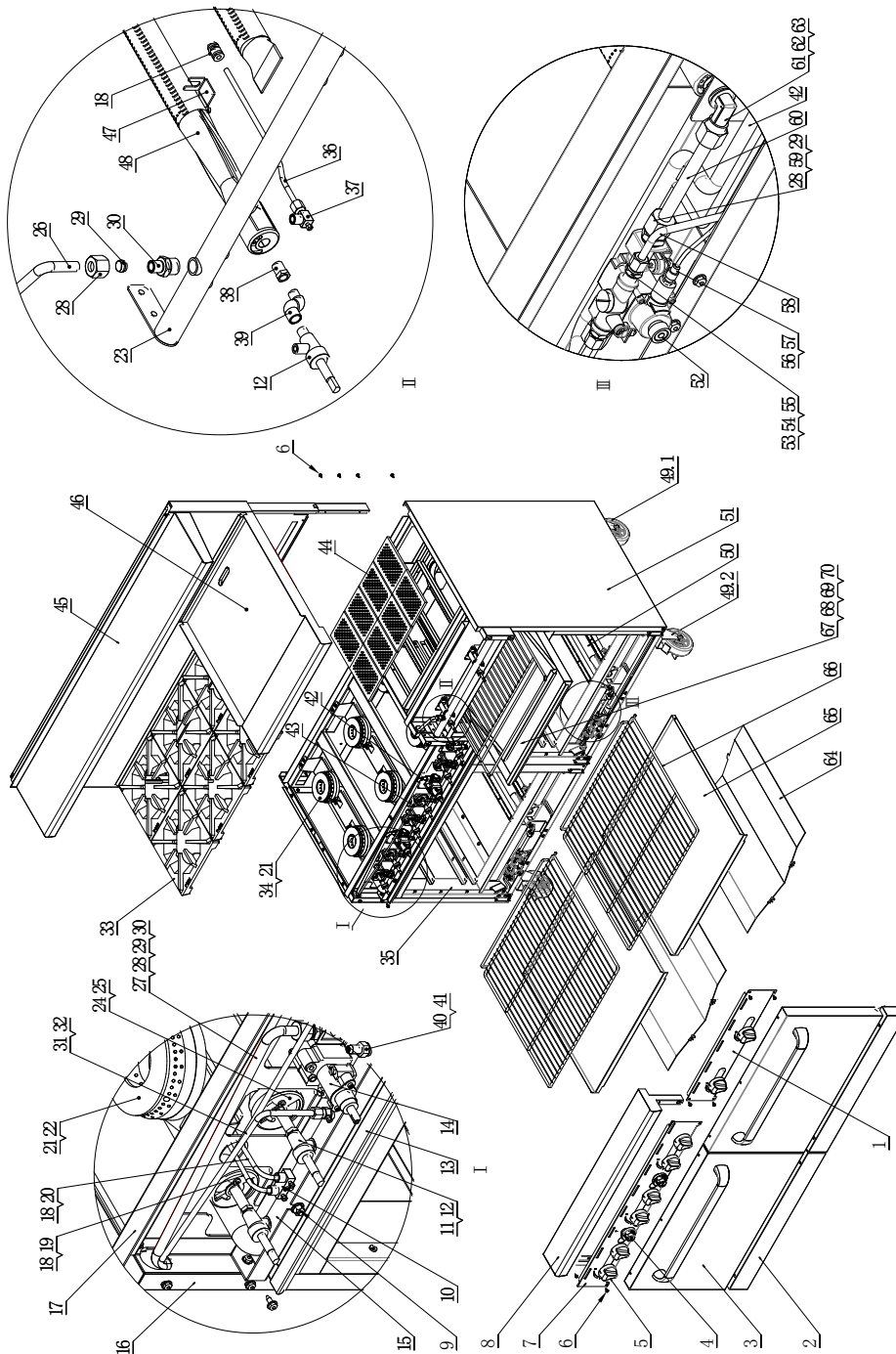
Appendix 2. Explosive view of product and parts

AGR-6B-24RGB(NG/LG)

The use of parts provided by other companies, our company has the right not to provide warranty service;

Order replacement parts from authorized representatives and after-sale service agency.

Provide the model number, serial number and description when you order components.



| No. | Matters Code | Component name | Qty | Dimensions (mm)/Model | Notes |
|-----|--------------|--|-----|-----------------------|-------|
| 1 | 21107001113 | Control panel(griddle) | 1 | | |
| 2 | 21107001064 | Underside face plate of oven | 2 | | |
| 3 | 21207001010 | Oven door assembly | 2 | 755*460*52 | |
| 4 | 301140008 | Oven thermostat valve knob | 2 | | |
| 5 | 301140001 | Kirsite knob | 8 | | |
| 6 | 301081037 | self-tapping screw | 42 | ST4.8*12.5 | |
| 7 | 21107001119 | Control panel(hot plate) | 1 | | |
| 8 | 21207005004 | Table-board front board assembly | 1 | 914*125*189 | |
| 9 | 301080002 | Galvanized flange nut | 10 | M6 | |
| 10 | 301030007 | Pilot light valve-double unit | 3 | AP6-1 | |
| 11 | 301040153 | Gas restaurant ranges nozzle(NG) | 6 | NG38 Φ2.57 | |
| | 301040154 | Gas restaurant ranges nozzle(LP) | | LP51 Φ1.70 | |
| 12 | 301030002 | Stopcock | 8 | | |
| 13 | 21107001067 | Catch tray of gas restaurant ranges | 1 | | |
| 14 | 301030038 | Oven thermostat valve | 2 | BJWA-25PD0548 | |
| 15 | 301070100 | input pipe(hot plate) | 1 | | |
| 16 | 21107001060 | Side block panel (left) | 1 | | |
| 17 | 21207001027 | Upper stove body assembly | 1 | | |
| 18 | 301060003 | Pilot light head | 8 | A73007/TipΦ4.7 | |
| 19 | 21107001084 | Pilot light intake pipe of gas restaurant ranges (short) | 3 | | |
| 20 | 21107001085 | Pilot light intake pipe of gas restaurant ranges (long) | 3 | | |
| 21 | 301020040 | Burner lid | 6 | | |
| 22 | 301020041 | Short ejector | 3 | | |
| 23 | 301070101 | input pipe(griddle) | 1 | | |
| 24 | 301990001 | Air door cover of gas restaurant ranges | 6 | | |
| 25 | 301081002 | Stainless steel cross pan head screw | 6 | M4*8 | |
| 26 | 301050049 | Connection pipe | 1 | | |
| 27 | 301050045 | Main fire intake pipe of stove (left) | 1 | | |
| 28 | 301080007 | Copper nut | 8 | M16 | |
| 29 | 301050012 | Copper hoop | 8 | Φ10 | |
| 30 | 301060051 | Copper connector | 2 | 1/4" to M16 | |
| 31 | 301050037 | Pilot fire input fire of oven (left) | 1 | | |
| 32 | 301030037 | Normally open fire valve (single) | 2 | AP5-2 | |
| 33 | 301020016 | Octangular cooking grates | 6 | | |
| 34 | 301020042 | Long ejector | 3 | | |

| | | | | | |
|------|-------------|--|---|----------------------|--|
| 35 | 21207001030 | Lower stove body assembly | 1 | 1520*696*572 | |
| 36 | 21107001124 | Griddle spark air inlet | 2 | | |
| 37 | 301030001 | Normally open fire valve (single) | 2 | AP7-1 | |
| 38 | 301040182 | Griddle burner nozzle (NG) | 2 | NG48 Φ1.90 | |
| | 301040183 | Griddle burner nozzle (LP) | | LP55 Φ1.32 | |
| 39 | 301050040 | Z-shape adapter | 2 | | |
| 40 | 301060002 | Needle type pressure measuring connector screw | 1 | M5*23 | |
| 41 | 301060001 | Needle type pressure measuring connector | 1 | NPT 1/8"-27 | |
| 42 | 301050042 | Pilot fire intake pipe of stove (right) | 1 | | |
| 43 | 301050044 | Pilot fire inlet tube of stove(right) | 1 | | |
| 44 | 301010036 | Ceramic plate | 8 | 182*132 | |
| 45 | 21207001029 | Back guard assembly | 1 | 1524*340*967 | |
| 46 | 21207001031 | Griddle plate accessory | 1 | 606*607.5*80 | |
| 47 | 21107001123 | Pilot light stator | 2 | | |
| 48 | 301010007 | U-shaped burner | 2 | | |
| 49.1 | 301990036 | wheels without brake | 2 | | |
| 49.2 | 301990035 | wheels with brake | 2 | | |
| 50 | 301010011 | Stove burner | 2 | | |
| 51 | 21107001097 | Side block panel (right) | 1 | | |
| 52 | 301030039 | Oven safety valve | 2 | TS11J-3211-1-0 | |
| 53 | 301060053 | Copper nut | 4 | M10 | |
| 54 | 301050039 | Copper hoop | 4 | Φ6 | |
| 55 | 301060054 | Copper connector | 4 | 7/16" to M10 | |
| 56 | 301030041 | Kindling support (NG) | 2 | | |
| | 301030042 | Kindling support(LP) | | | |
| 57 | 301030049 | Thermocouple | 2 | | |
| 58 | 301050036 | Pilot fire exit tube of stove | 2 | | |
| 59 | 301060052 | Copper connector | 4 | 11/16" to M16 | |
| 60 | 21107001072 | Main fire intake pipe of stove | 2 | | |
| 61 | 301050014 | Male copper elbow | 2 | M16 to 3/8"-27UNS | |
| 62 | 301080008 | Bronze locknut | 2 | | |
| 63 | 301040030 | Oven burner nozzle(NG) | 2 | NG39 Φ2.5 | |
| | 301040027 | Oven burner nozzle(LP) | | LP52 Φ1.6 | |
| 64 | 21107001062 | Radiant panel of stove | 2 | | |
| 65 | 21407001005 | Stove base plate | 2 | | |
| 66 | 301100012 | Stove net rack | 2 | | |
| 67 | 21107001112 | Catch tray | 1 | | |
| 68 | 21107011118 | Drip pan | 1 | | |
| 69 | 301100063 | Broiler rack | 1 | 550*552 | |
| 70 | 301100071 | Broiler rack support | 2 | | |

Appendix 3. Accessories List

AGR-6B-24RGB (NG/LG)

| Accessory | Accessory No. | Quantity of accessories |
|--|------------------------------|--------------------------------|
| wheels without brake | 301990036 | 2 pcs |
| wheels with brake | 301990035 | 2 pcs |
| Underside face plate of stove | 21107001064 | 2 pcs |
| Stove net rack | 301100012 | 4 pcs |
| Rear panel assembly of stove | 21207001029 | 1 pc |
| Galvanized hexagon head flange face self-tapping screw | 301081037 | 21 pcs |
| M6*12 stainless steel hexagon bolt | 301081019 | 2 pcs |
| M6 galvanized flat gasket | 301082001 | 2 pcs |
| M6 stainless steel spring washer | 301082018 | 2 pcs |
| Pressure maintaining valve | 301030044 (natural gas) | 1 pc |
| | 301030013 (liquefied gas) | |
| ceramic plate | 301010036 | 8 pcs |
| Instructions and attached drawings | | 1 pc |

Our products have the advantages of good durability and low maintenance charge. But to update some components and necessary maintenance, can prolong life length of the products. Contact the dealer for assistance. To avoid confusion, please follow the format of “Appendix 2. Explosive view of product and parts” in this manual.