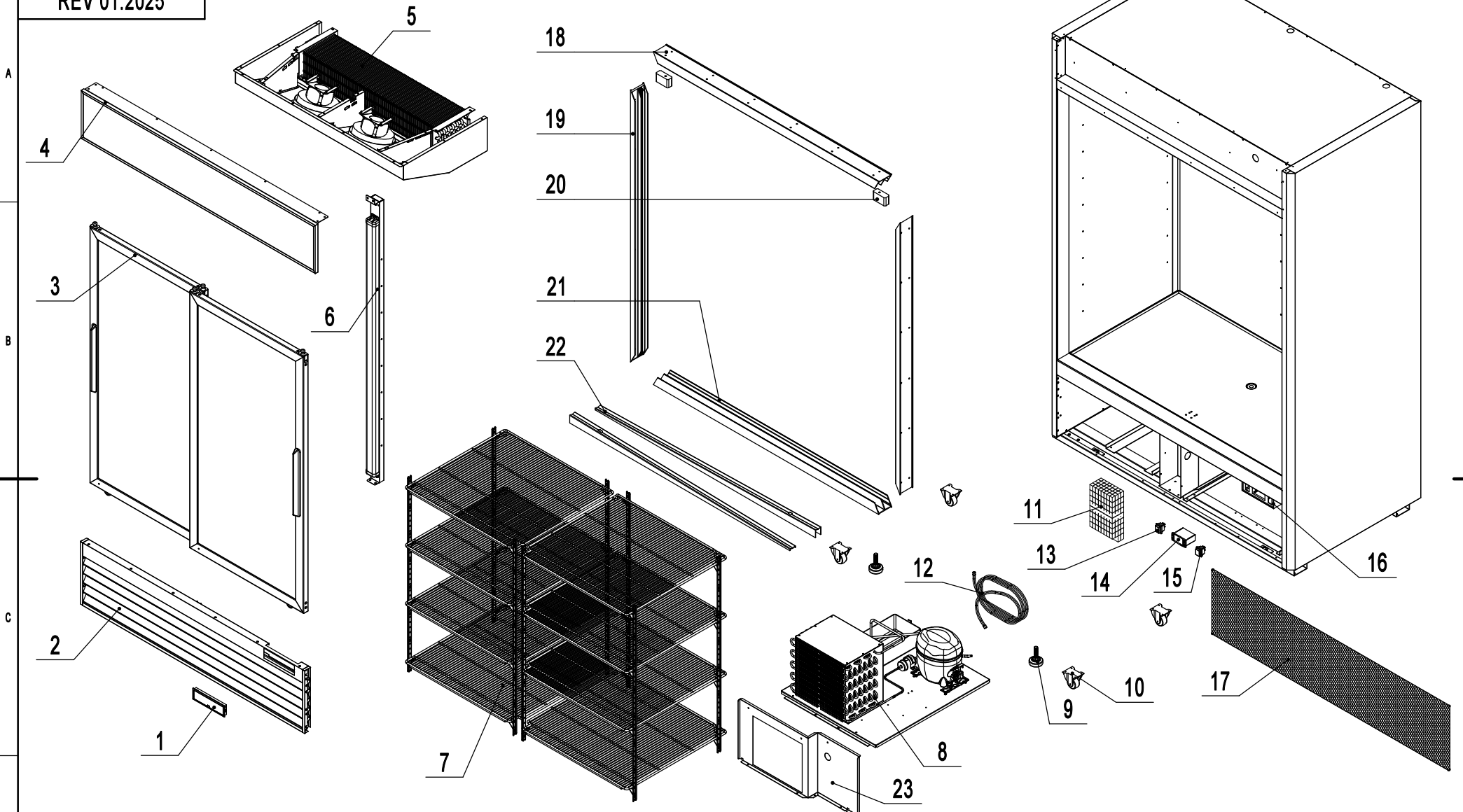


MCF8709GR

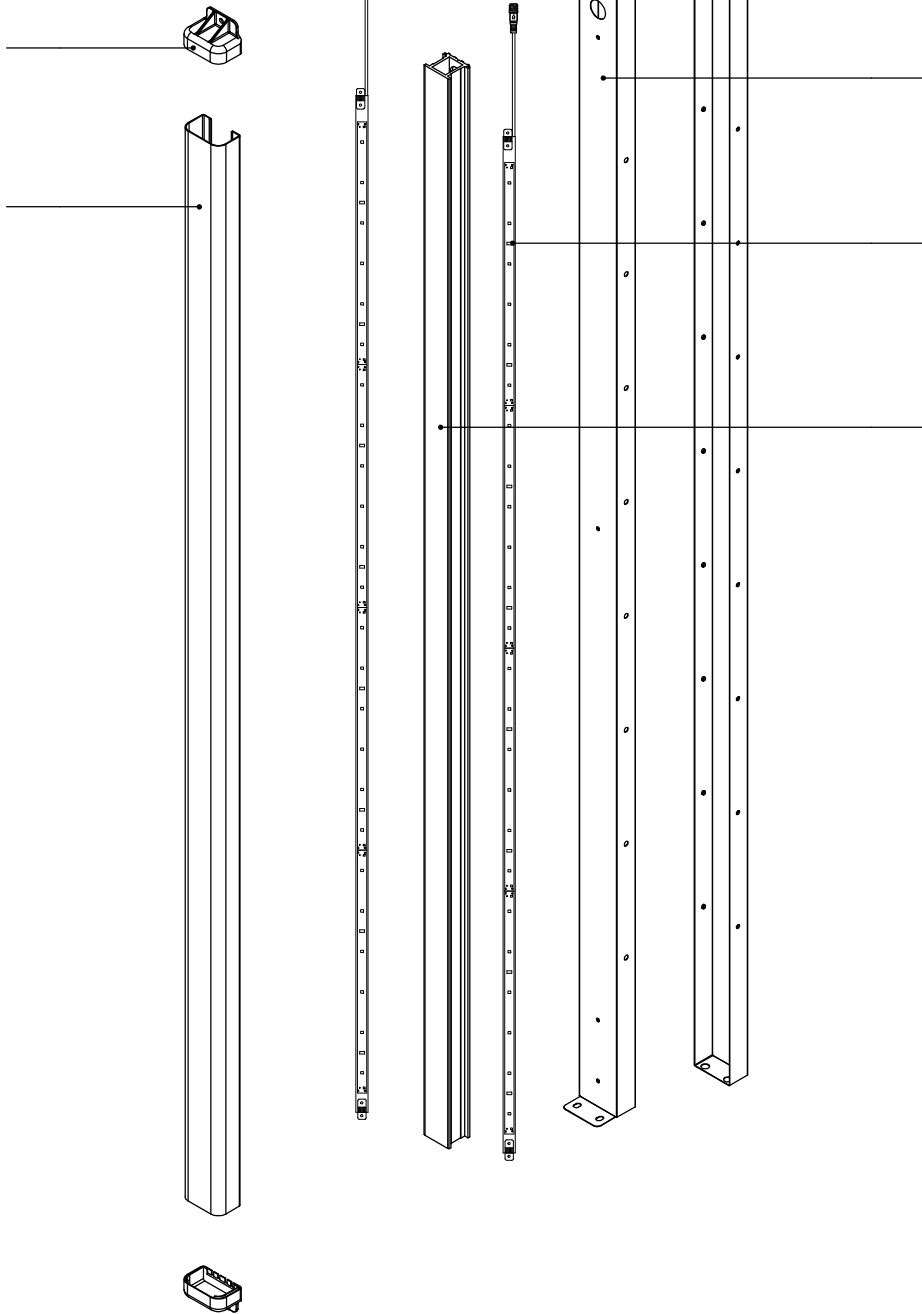
REV 01.2025



23	87091901	#N/A	Unit Air Baffle	1	15	W0308019	R03008000008	Power Switch	1	7	8709-SA	#N/A	Shelf Assembly	1
22	87091501	MCF870910100120	Door Slide	2	14	R03002000043-FCAZN1	#N/A	Digital Controller	1	6	8709-MA	#N/A	Mullion	1
21	W0410784	R04012000359	Bottom Chute	1	13	W0308018	R03008000007	Light Switch	1	5	8709GR-EA	#N/A	Evaporator Assembly	1
20	W0413054	R04004000001	Rubber Pad	2	12	W0210539	#N/A	Suction Tube B	1	4	8709-TPA	#N/A	Top Panel Assembly	1
19	W0410785	R04012000361	Left-Right Chute	2	11	W0399116	R03024000004	Power Supply	1	3	8709-DA	#N/A	Door Assembly	1
18	W041078401	R04012000360	Top Chute	1	10	B0604433	R06001000015	3" Plate Caster W/O Brake	4	2	MCF8709211010	#N/A	Bottom Panel Assembly	1
17	W0402634	R06005000027	Back Barrier	1	9	B0604417	R06001000003	Leg	2	1	R04011000107	#N/A	Controller Cover	1
16	W04098832	#N/A	Controller Bracket	1	8	8709GR-CCA	#N/A	Comp&Cond Assembly	1	No.	Old Part #	New Part #	Part Name	Qty

8709GR-MA

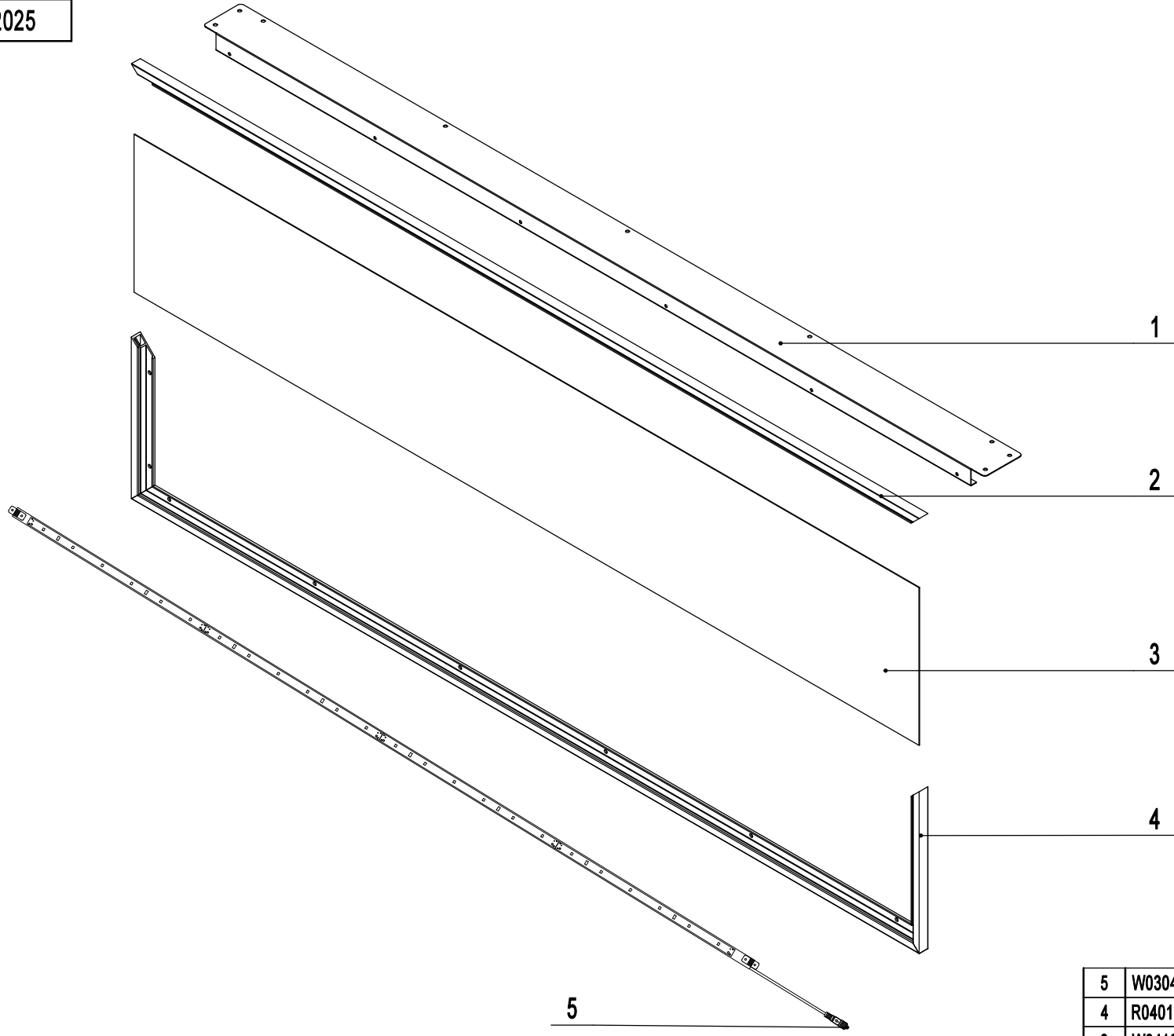
REV 01.2025



6	W0410792	#N/A	Light Cover	1
5	W0409880	#N/A	Light Frame Clip	2
4	W0410791	#N/A	Light Frame	1
3	W0304081	R03004000007	LED Light	2
2	8709110601	#N/A	Mullion back Cover	1
1	8709110701	#N/A	Mullion Front Cover	1
No.	Old Part #	New Part #	Part Name	Qty

8709GR-TPA

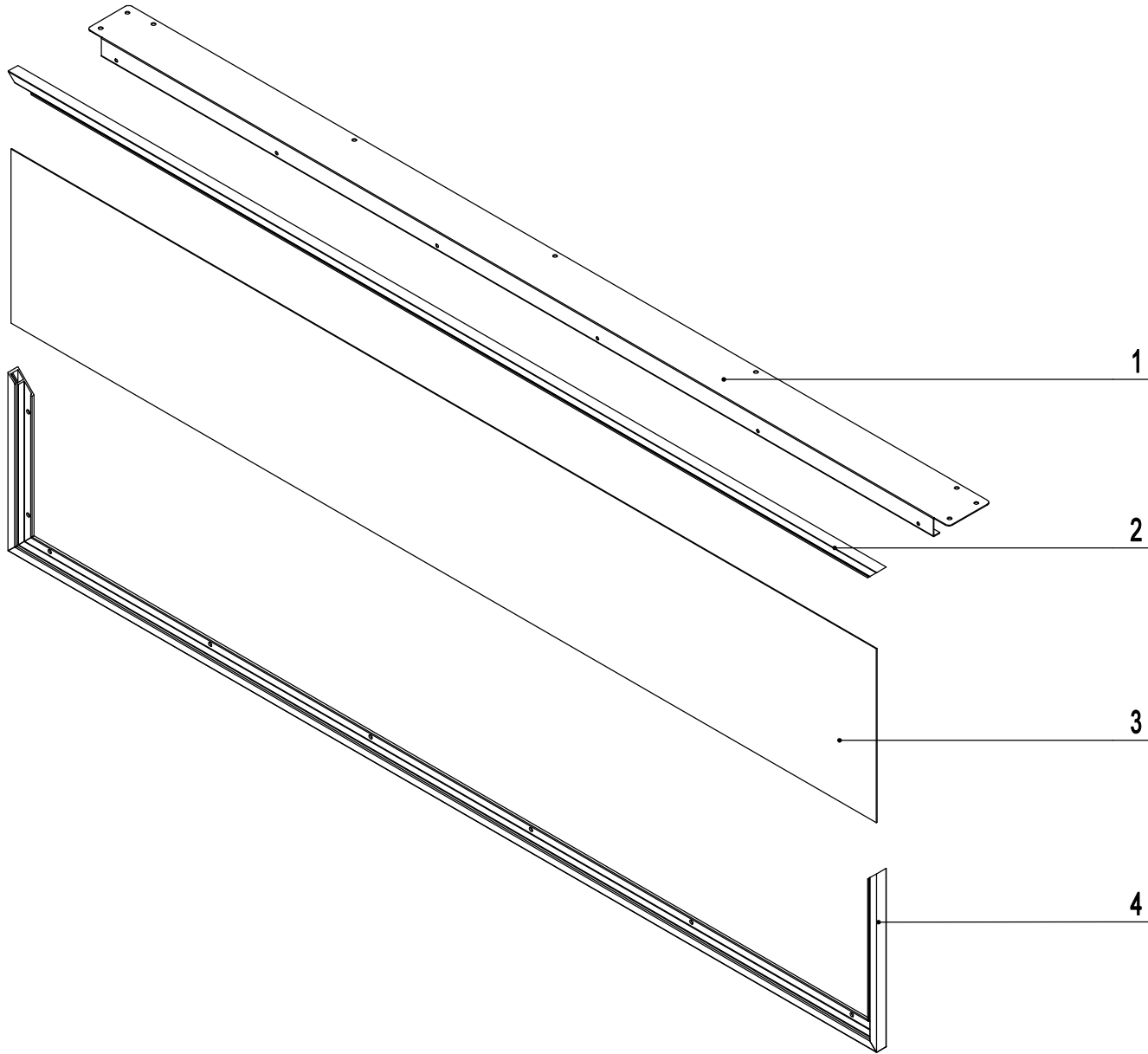
Before 04.2025



5	W0304081	LED Strip	1
4	R04012001673	Bottom Frame(U Shape)	1
3	W0410793-1	Top Panel	1
2	R04012001674	Top Frame	1
1	87091804	Top Fixing Rack	1
No.	Old Part #	Part Name	Qty

8709GR-TPA

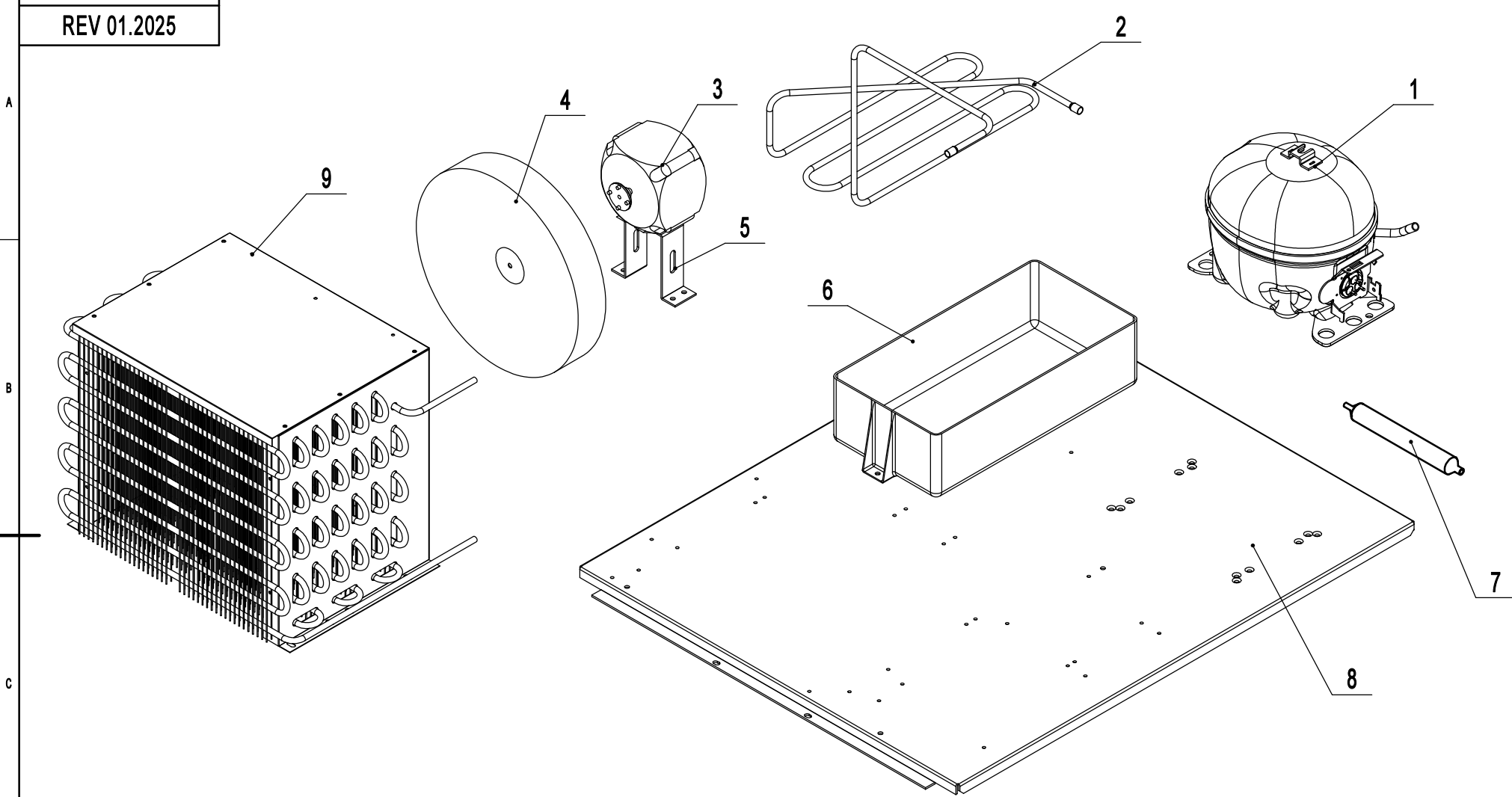
After 04.2025



4	R04012001673	Bottom Frame(U Shape)	1
3	R03004000104	Light Panel	1
2	R04012001674	Top Frame	1
1	MCF8709106013500	Top Fixing Rack	1
No.	New Part #	Part Name	Qty

8709GR-CCA

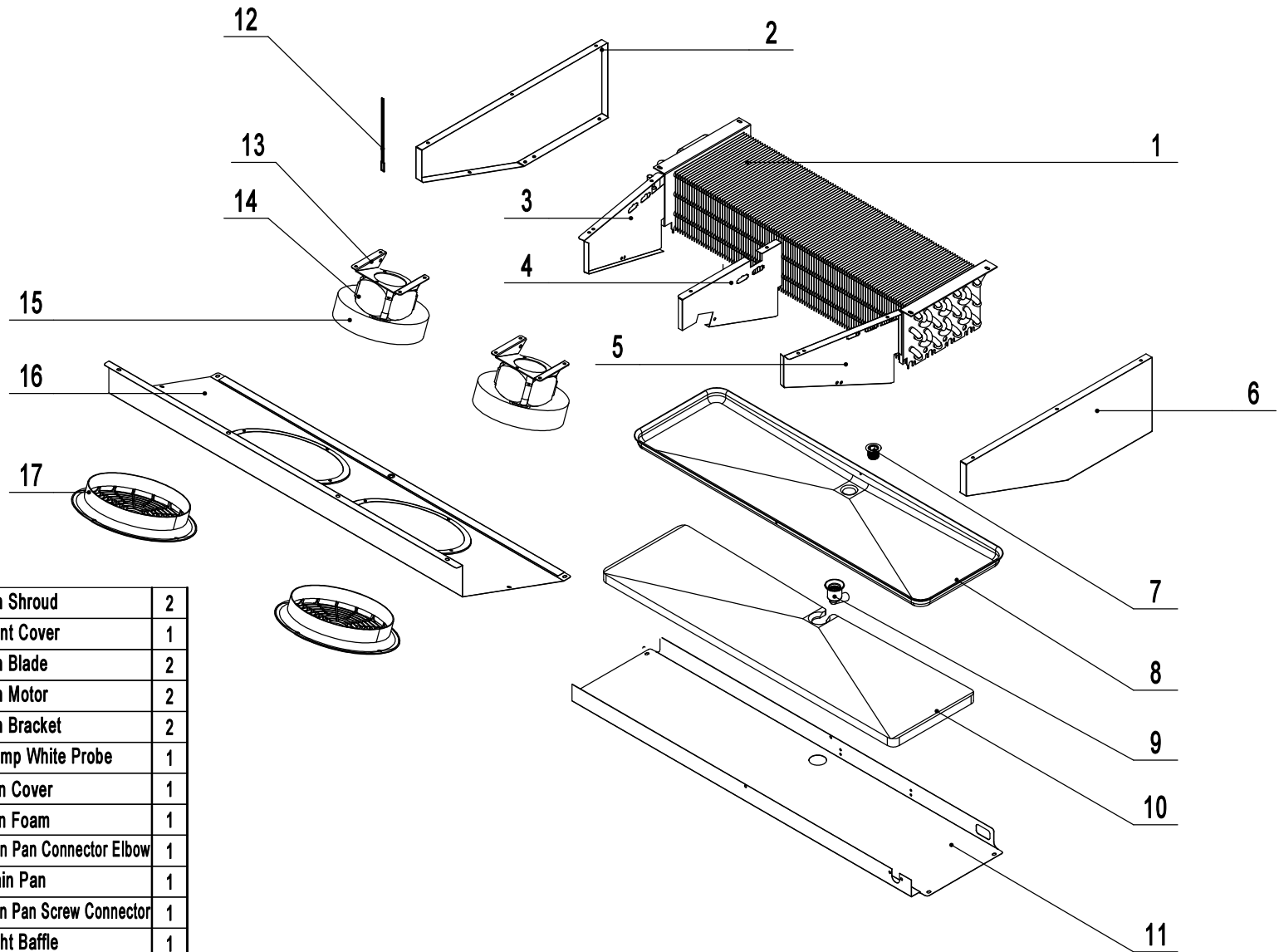
REV 01.2025



9	W0203076	R02007000010	Condenser	1
8	87090501	#N/A	Condensing Unit Board	1
7	W0204100	R02014000002	Filter Drier	1
6	W0411152	R04013000007	Condenser Drain Pan	1
5	80061601	MBF8006112001500	Condenser Fan Bracket	1
4	W0301061	R03000000018	Condenser Fan Blade	1
3	W0301905	R03001000065	Condenser Fan Motor	1
2	W0210626	#N/A	Discharge Tube	1
1	W0201043	R02000000008	Compressor	1
No.	Old Part #	New Part #	Part Name	Qty

8709GR-EA

REV 01.2025



17	W0409080	R04011000047	Evap Fan Shroud	2
16	8602120203	#N/A	Evap Front Cover	1
15	W0301059	R03000000008	Evap Fan Blade	2
14	W0301904-1	R03001000099	Evap Fan Motor	2
13	80021501	#N/A	Evap Fan Bracket	2
12	W0302316	R03019000007	Room Temp White Probe	1
11	87091201-430	#N/A	Drain Pan Cover	1
10	W0803012	#N/A	Drain Pan Foam	1
9	W0409858	R04008000039	Evap Drain Pan Connector Elbow	1
8	80022003	MBF8002104008600	Evap Drain Pan	1
7	W0409859	R04008000040	Evap Drain Pan Screw Connector	1
6	80021207	#N/A	Evap Right Baffle	1
5	80021204	#N/A	Right Evap Air Baffle	1
4	80021205	#N/A	Middle Evap Air Baffle	1
3	80021203	#N/A	Left Evap Air Baffle	1
2	80021206	#N/A	Left Evap Baffle	1
1	W0202118	R02002000029	Evaporator	1
No.	Old Part #	New Part #	Part Name	Qty

8709GR-DA

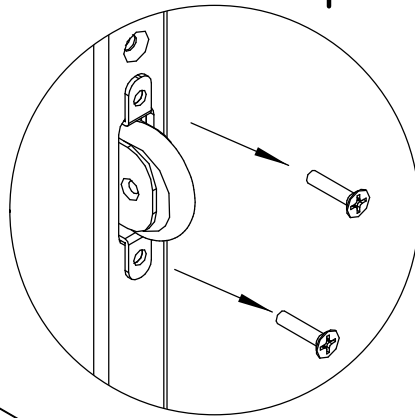
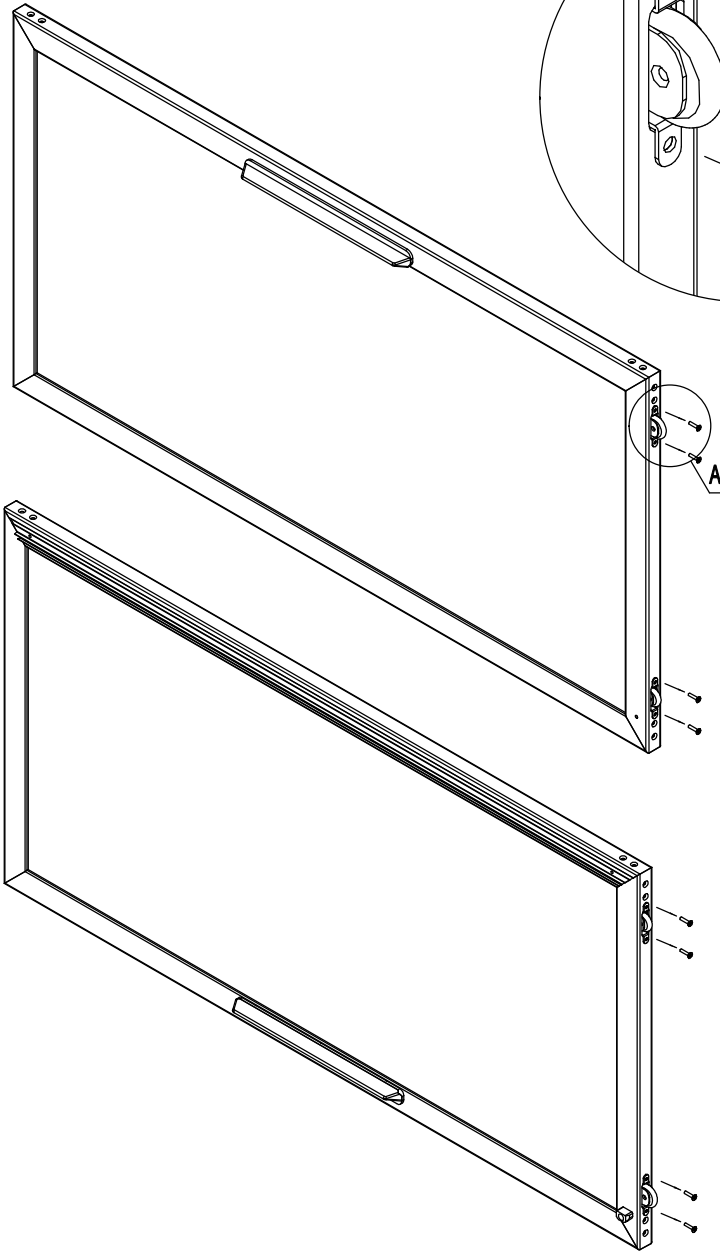
REV 01.2025

A

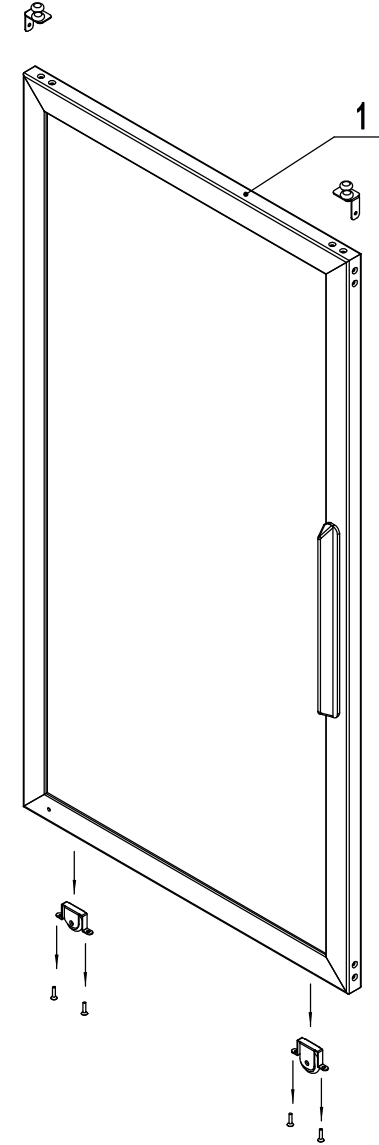
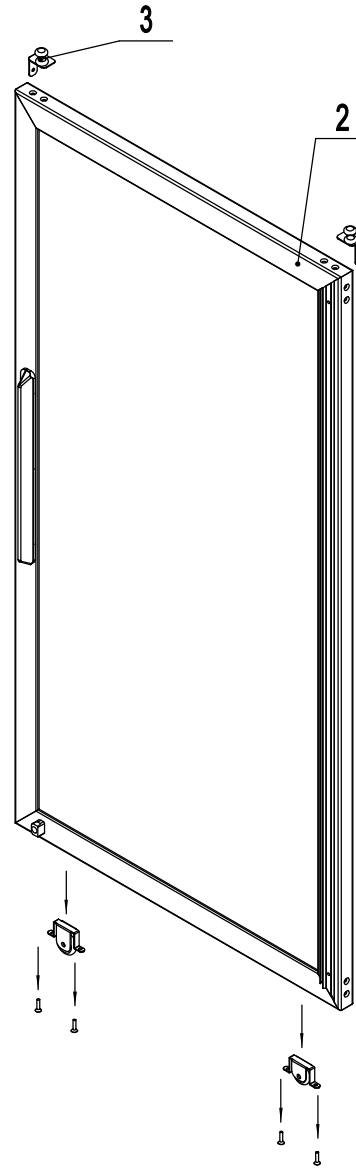
B

C

D



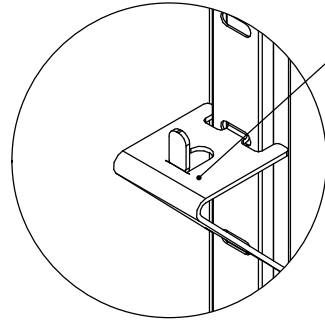
A



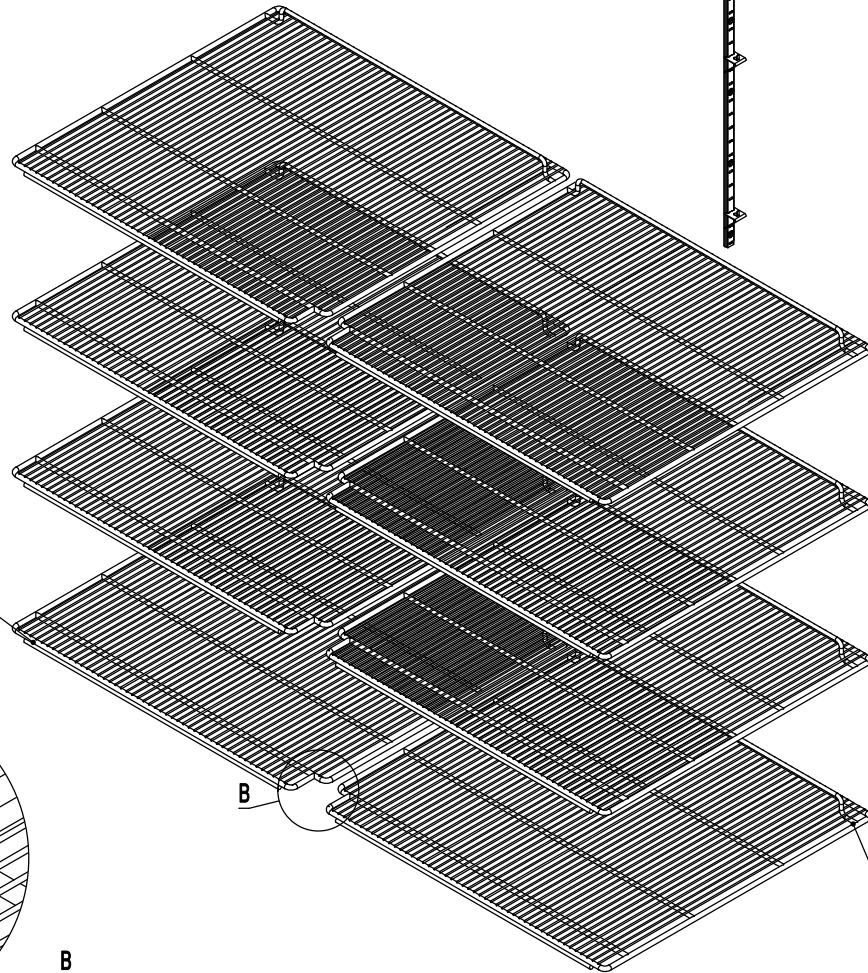
3	B0604424	R06001000012	Top Wheel	4
2	W0412828	R11002000016	Left Glass Sliding Door	1
1	W0412827	R11002000015	Right Glass Sliding Door	1
No.	Old Part #	New Part #	Part Name	Qty

8709GR-SA

REV 01.2025



A



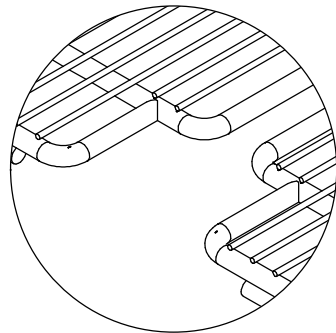
3

B

4

1

2



B

A

4	W0402328	R06004000016	Right Shelf, 22 3/4 x 24 1/2	4
3	W0402327	R06004000015	Left Shelf, 22 3/4 x 24 1/2	4
2	66490313	QPL6649115001410	Shelf Clip	32
1	80037410	MBF8003115010430	Shelf Pilaster	8
No.	Old Part #	New Part #	Part Name	Qty