



Product code:

C5N0AV102X

---

Product: **Cooker**

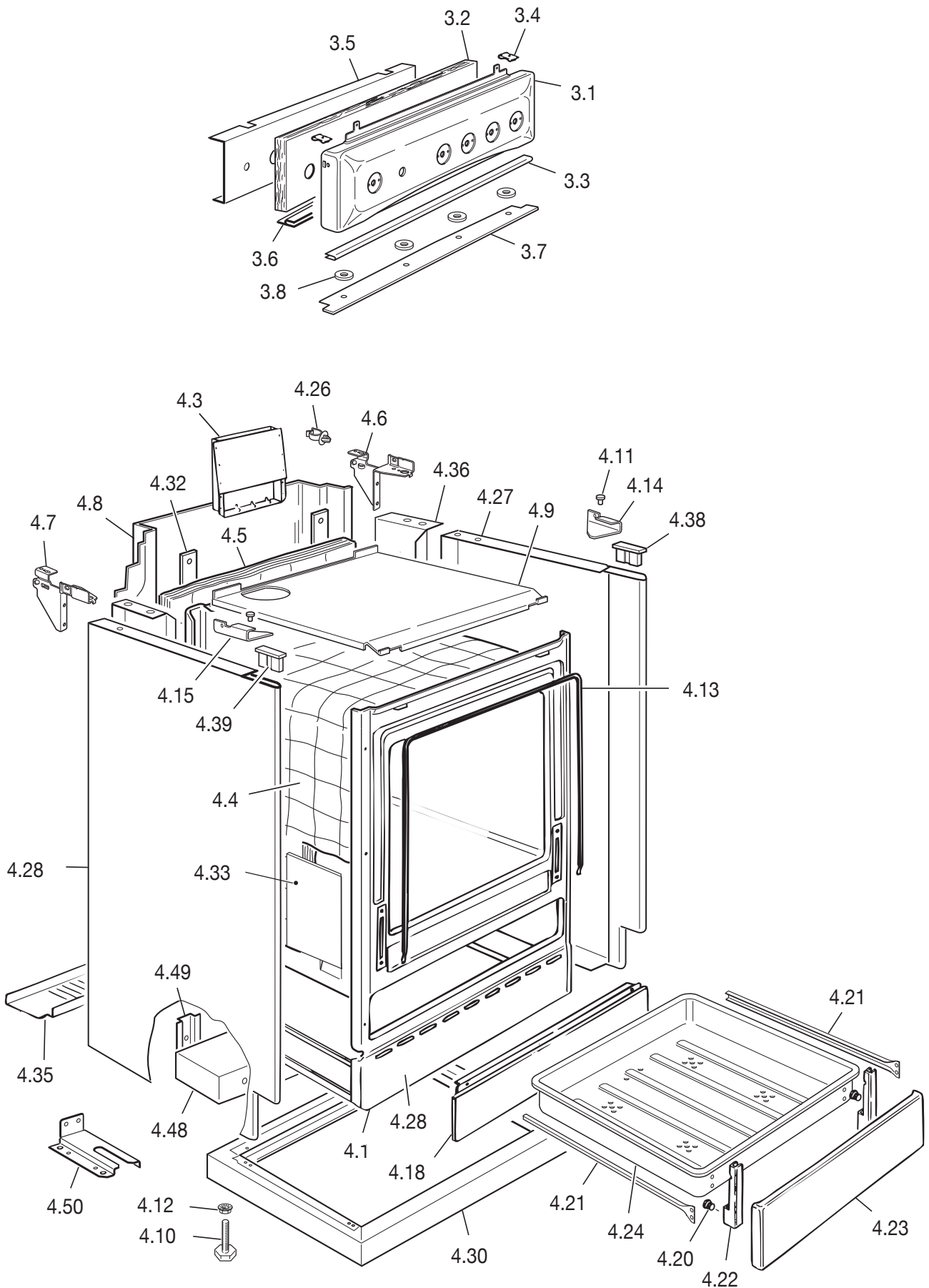
Model: **DG 202 BS**

Product code	Serial No.	Product remark	Issue No.	Issue Date
C5N0AV102X				January 2016

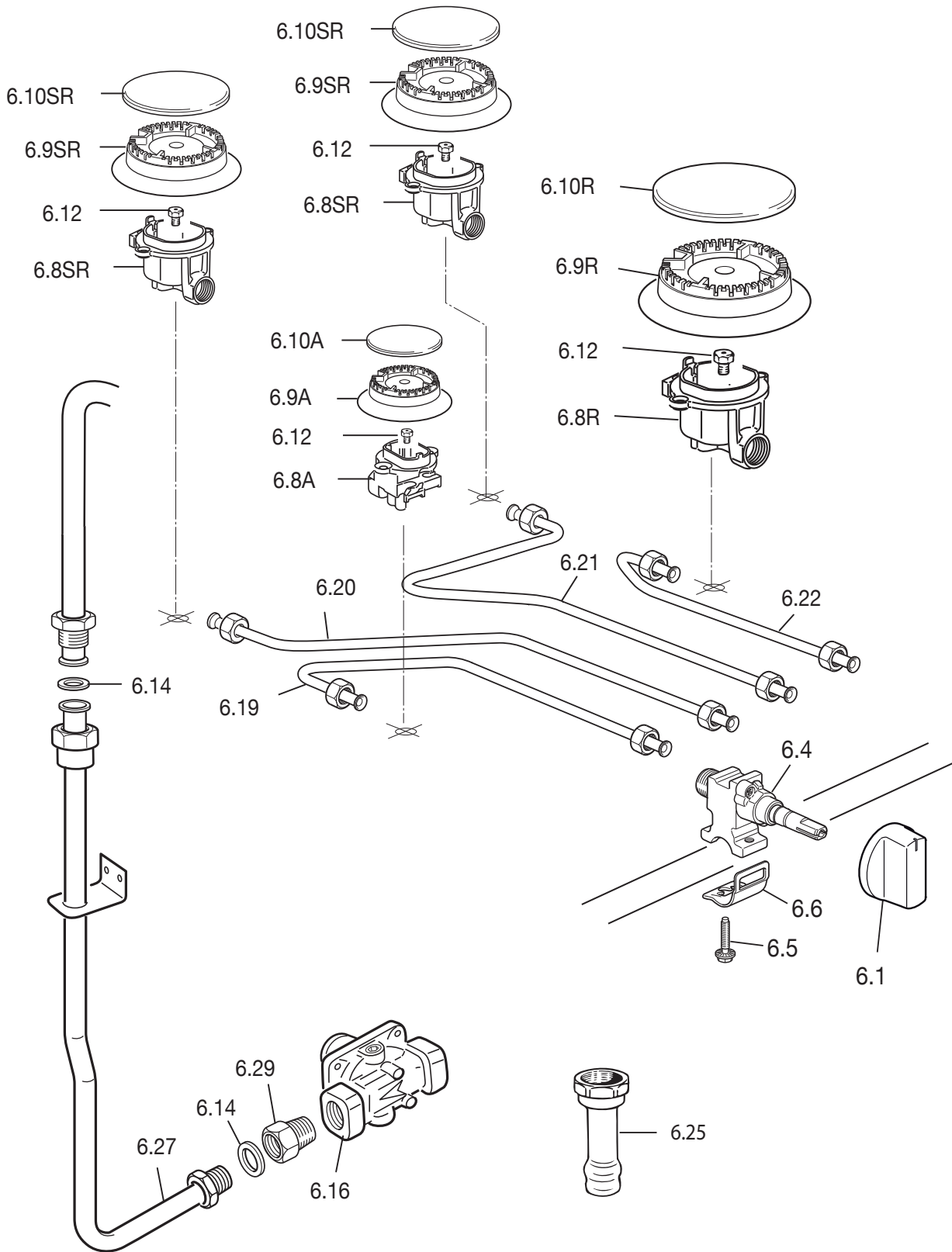
Key part information	
A	Auxiliary burner
SR	Semirapid burner
R	Rapid burner



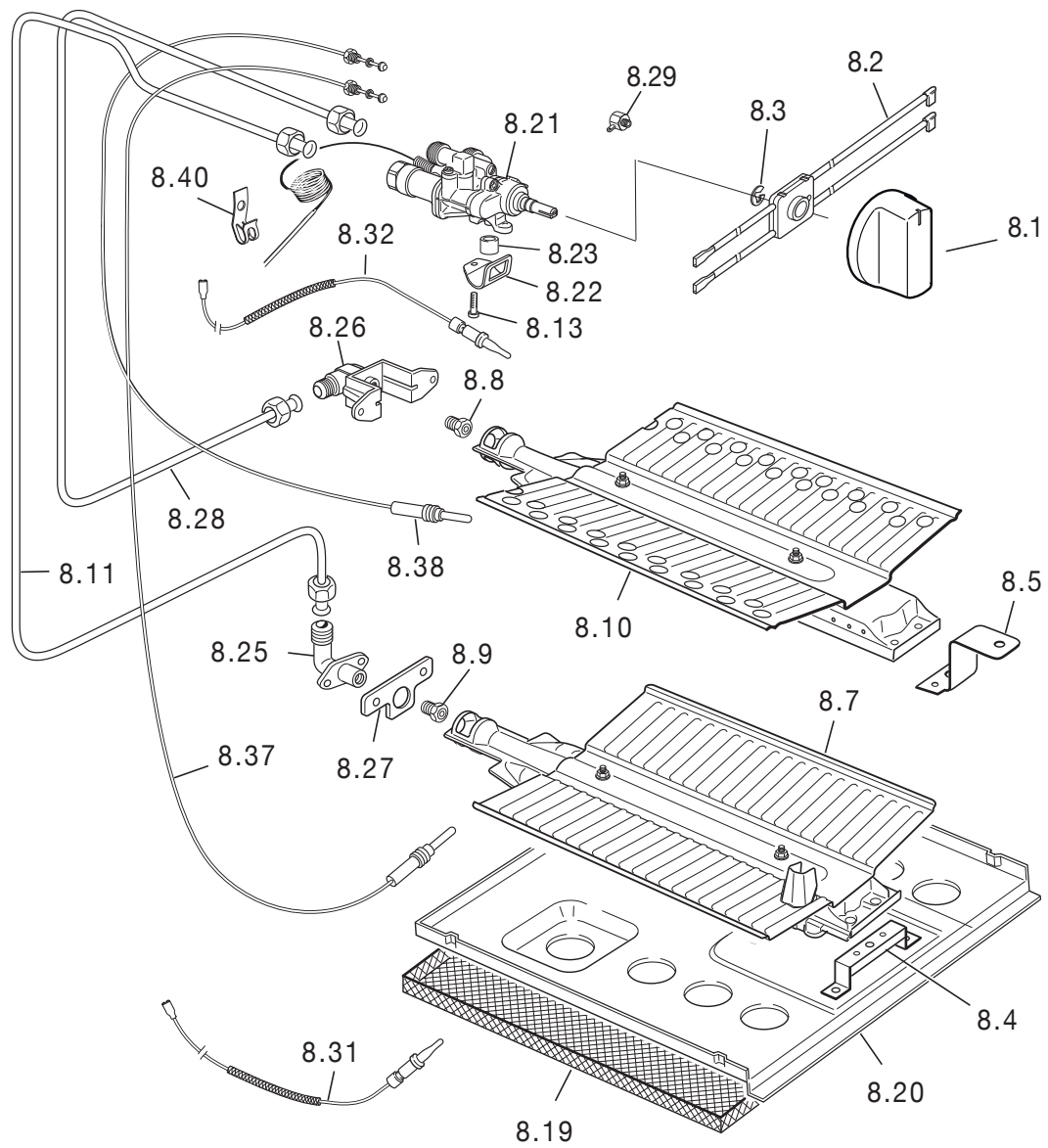
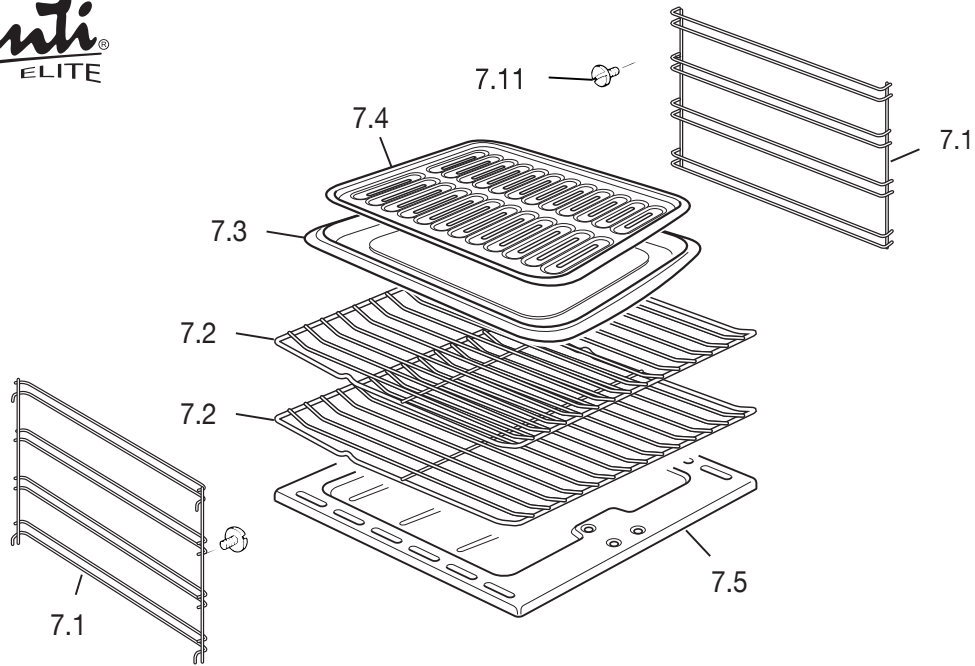
Ref.	Part description	Product code	
		C5N0AV102X	
		Feature	Part code
1.1	Rear trim		1031010063
1.2	Screw		001138
1.3	Plug		040031001
			040041001
1.4	Left header		069087080
1.5	Right header		069086080
1.6	Screw		001116
1.7	Screw		001138
2.1	Cooktop		3315N402S
2.2	Manifold		3425N40003
2.7	Burners support		51B5N01
2.9	Gasket		053024.1
2.10	Fixing plate		094254
2.11	Screw		001227
2.15	Pan-support		217741
5.1	Door glass		0313274
5.2	Lower door trim		083211081
5.3	Door handle		037353061
5.4	Door seal		053115
5.5	Handle bar		51B5N07
5.6	Screw M5x16		001071
5.7	Door insulation		030176.1
5.9	Door hinge (female)		063109
5.10	Door panel		373F5106G
5.11	Gasket		053085
5.12	Inner glass		031999.1TH
5.14	Nut		214021
5.15	Screw		001214
5.16	Washer		003035
5.17	Washer		103205.1
5.18	Third glass		0312473
5.19	Left door hinge (male)		063095
5.20	Right door hinge (male)		063094
5.23	Left inner glass support		51B6N04
5.24	Right inner glass support		51B6N03
5.25	Third glass rubber		040056
5.26	Screw		001253
5.27	Side insulation door		030178.1
5.28	Handle spacer		1031484080



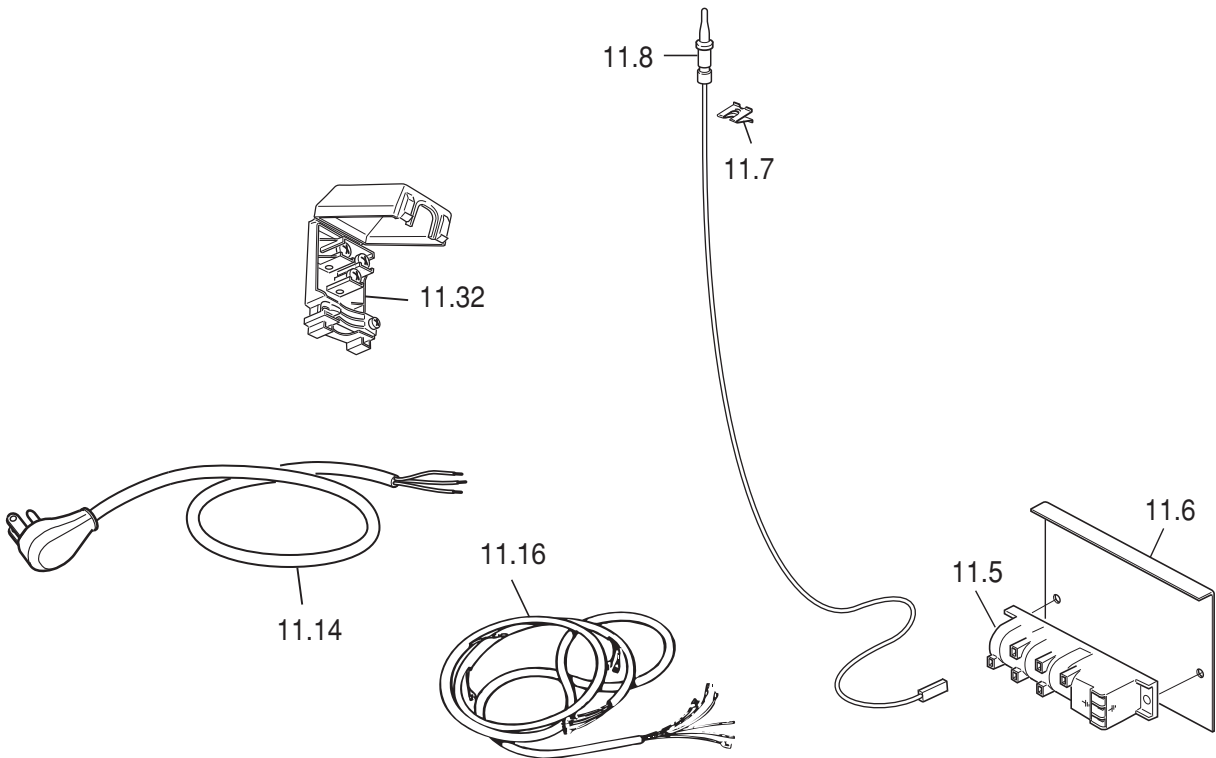
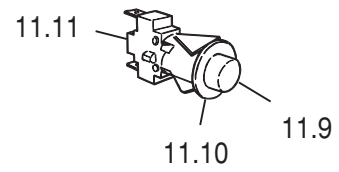
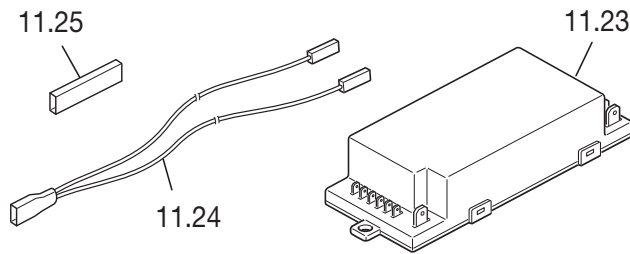
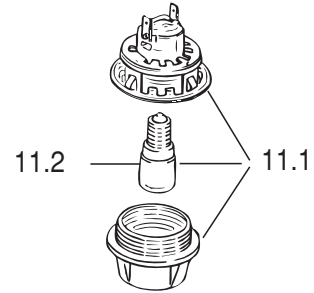
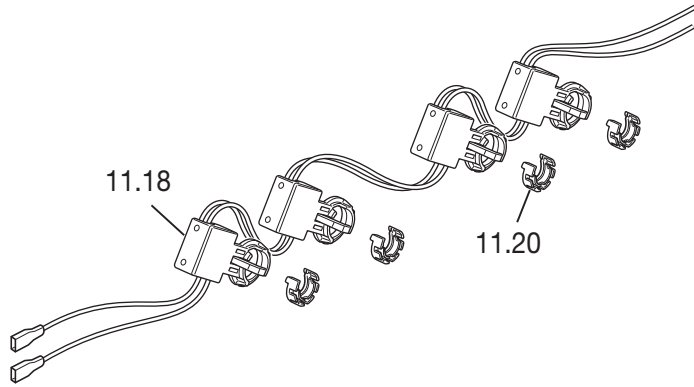
Ref.	Part description	Product code	
		C5N0AV102X	
		Feature	Part code
3.1	Control panel		35C5N07SA2
3.2	Control panel insulation		030166.1
3.3	Seal		053114
3.4	Clip		213007
3.5	Insulation support		4115N02
3.6	Control panel seal		053117
3.7	Deflector		51B5N02H
3.8	Spacer		003035
4.1	Oven frame		4415N1GG01
4.3	Funnel		46A5N03Z
4.4	Oven insulation		030162
4.5	Rear insulation		030168
4.6	Rear right coupler		094354DX
4.7	Rear left coupler		094354SX
4.8	Rear panel		4115N01
4.9	Upper shelter		4215102Z
4.10	Shim		103854
4.11	Buffer		040011
4.12	Nut shim		214056
4.13	Seal		053047
4.14	Front right coupler		094333DX
4.15	Front left coupler		094333SX
4.18	Base panel		103204061
4.20	Buffer		040012
4.21	Drawer rail		094171
4.22	Drawer fixing bracket		094138
4.23	Drawer front panel		39E5101S
4.24	Drawer		39K5104Y
4.26	Tube retainer		531533
4.27	Right side panel		36C6ND1HH
4.28	Left side panel		36C6NS1HH
4.30	Plinth		68056004
4.32	Rear insulation support		4215101Z
4.33	Hinge protection		58BN601
4.35	Bottom panel		4215N01Z
4.36	Rear side panel bar		51B5606
4.38	Right stopper		081083080
4.39	Left stopper		081084080
4.48	Balance weight		103326
4.49	Balance weight bracket		213016
4.50	Anti-tip stability device		094495



Ref.	Part description	Product code	
		C5N0AV102X	
		Feature	Part code
6.1	Burner knob		2183G9X346
6.4	Tap	A - Ø 0.28	106266
		SR - Ø 0.33	106267
		R - Ø 0.43	106268
6.5	Tap fixing screw		001282
6.6	Tap bracket		094653
6.8A	Burner-cup	A	215465
6.8SR		SR	215466
6.8UR		UR	215467
6.9	Burner head	UR	068111001
		SR	068110001
		A	068109001
6.10A	Burner-cap (Black)	A	216129005A
6.10SR		SR	216130005A
6.10UR		UR	216131005A
6.12	Injector	A - Ø 0.90	101290
		A - Ø 0.55	101292
		SR - Ø 1.18	101225
		SR - Ø 0.72	101293
		R - Ø 1.55	101226
		R - Ø 0.94	101275
6.14	Elbow gasket		053024.1
6.16	Gas pressure regulator 1/2" NG		103841
6.19	Inlet pipe	A	029608
6.20	Inlet pipe left	SR	029610
6.21	Inlet pipe right	SR	029601
6.22	Inlet pipe	R	029603
6.25	Natural gas connection		027013
6.27	Extension pipe		3425N001
6.29	Connection		067033



Ref.	Part description	Product code	
		C5N0AV102X	
		Feature	Part code
7.1	Shelf support		217350
7.2	Oven shelf		217719
7.3	Broiling pan tray		48B6105G
7.4	Pastry plate		48E6104G
7.5	Oven floor		47E5103G
7.11	Fixing screw		001142
8.1	Oven knob		<a href="#">2183B3X346</a>
8.2	Thermostat ignition switch		1031420
8.3	Retaining ring		003039
8.5	Broil burner bracket		094542
8.7	Oven burner		215479
8.8	Broil burner injector	Ø 1.46	101070
		Ø 0.88	101128
8.9	Oven burner injector	Ø 1.75	101210
		Ø 1.05	101209
8.10	Broil burner		215480
8.11	Oven inlet pipe		029830
8.13	Screw		001248
8.19	Oven burner protection		4215N03Z
8.20	Oven burner support		4215N02Z
8.21	Thermostat		066196
8.22	Bracket		094155
8.23	Gasket		053045
8.25	Oven elbow		067036
8.26	Broil elbow		067035
8.27	Elbow support		094541
8.28	Broil inlet pipe		029831
8.29	Ignition electronic control unit adapter		214078
8.31	Oven igniter with wire		084040
8.32	Broil igniter with wire		084041
8.37	Oven thermocouple	L=1200 mm	107055
8.38	Broil thermocouple	L=1000 mm	107056
8.40	Clip		213015



Ref.	Part description	Product code	
		C5N0AV102X	
		Feature	Part code
1.1	Lamp holder		072005
11.2	Lamp - 15 W		073013005
11.5	6 Burners ignition coil		082072
11.6	Burners ignition coil bracket		094413
11.7	Igniter spring		035094
11.8	Igniter	L = 630 mm	084029
11.9	Push-button		103526080
11.10	Switch ring		103576080
11.11	Switch		077029
11.14	Cord		054136
11.16	Wiring		1131916
11.18	Ignition switches		1031419
11.20	Retaining ring		003077
11.23	Ignition electronic control unit (T-ZERO)		1031391
11.24	Control unit cord		1031636
			1031637
11.25	Cable terminal		056034
11.32	Terminal block		051067
-	LPG gas conversion kit		6105N40004
-	Users operating instructions		1105076
-	Installation instructions		1105075