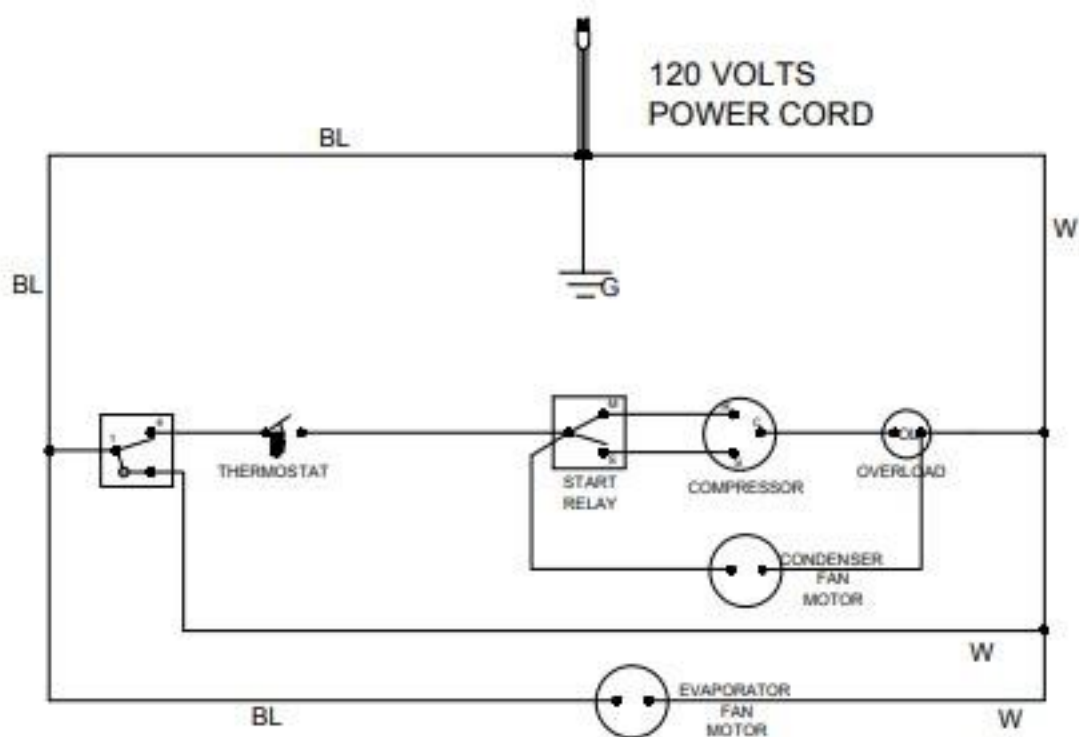


O = ORANGE
 W = WHITE
 G = GREEN
 BL = BLUE
 B = BLACK

ELECTRICAL RATINGS
 COMPRESSOR, 2.7 AMPS

ALL WIRE 16GA.



O = ORANGE
 W = WHITE
 G = GREEN
 BL = BLUE
 B = BLACK

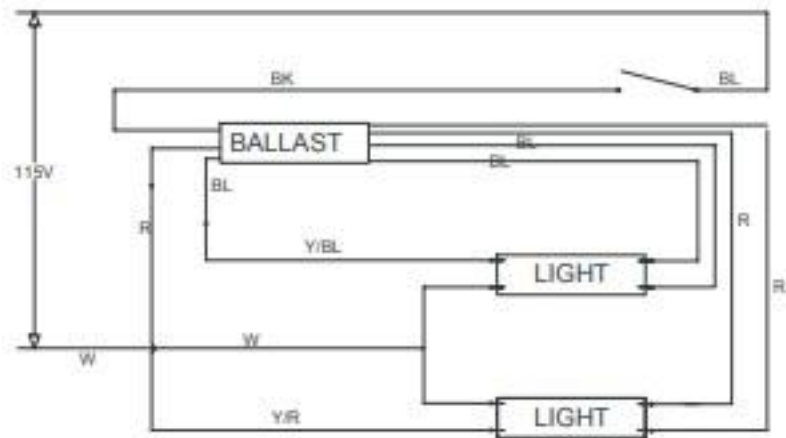
ALL WIRE 16GA.

ELECTRICAL RATINGS

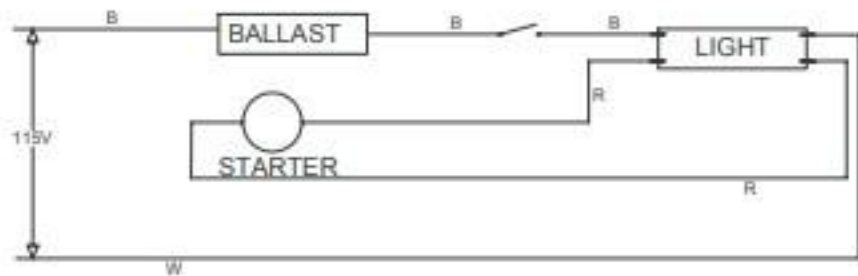
COMPRESSOR,	2.7 AMPS
CONDENSER FAN MOTOR	.2 AMPS
EVAPORATOR FAN MOTOR	.2 AMPS

TOTAL 3.1 AMPS

FLOURESCENT LIGHT SYSTEM
TWO LIGHT

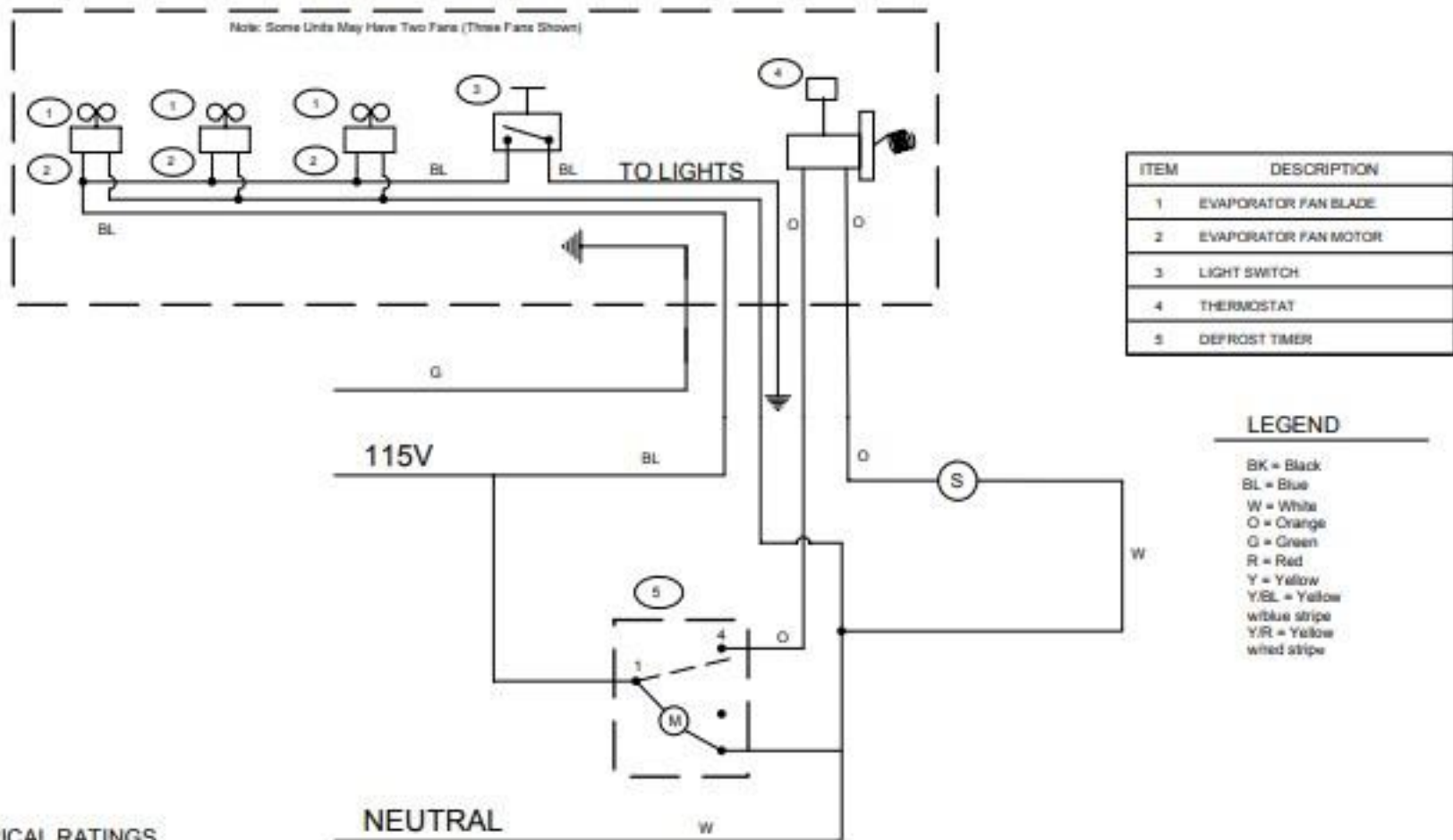


FLOURESCENT LIGHT SYSTEM
ONE LIGHT



Evaporator Assembly

Note: Some Units May Have Two Fans (These Fans Shown)

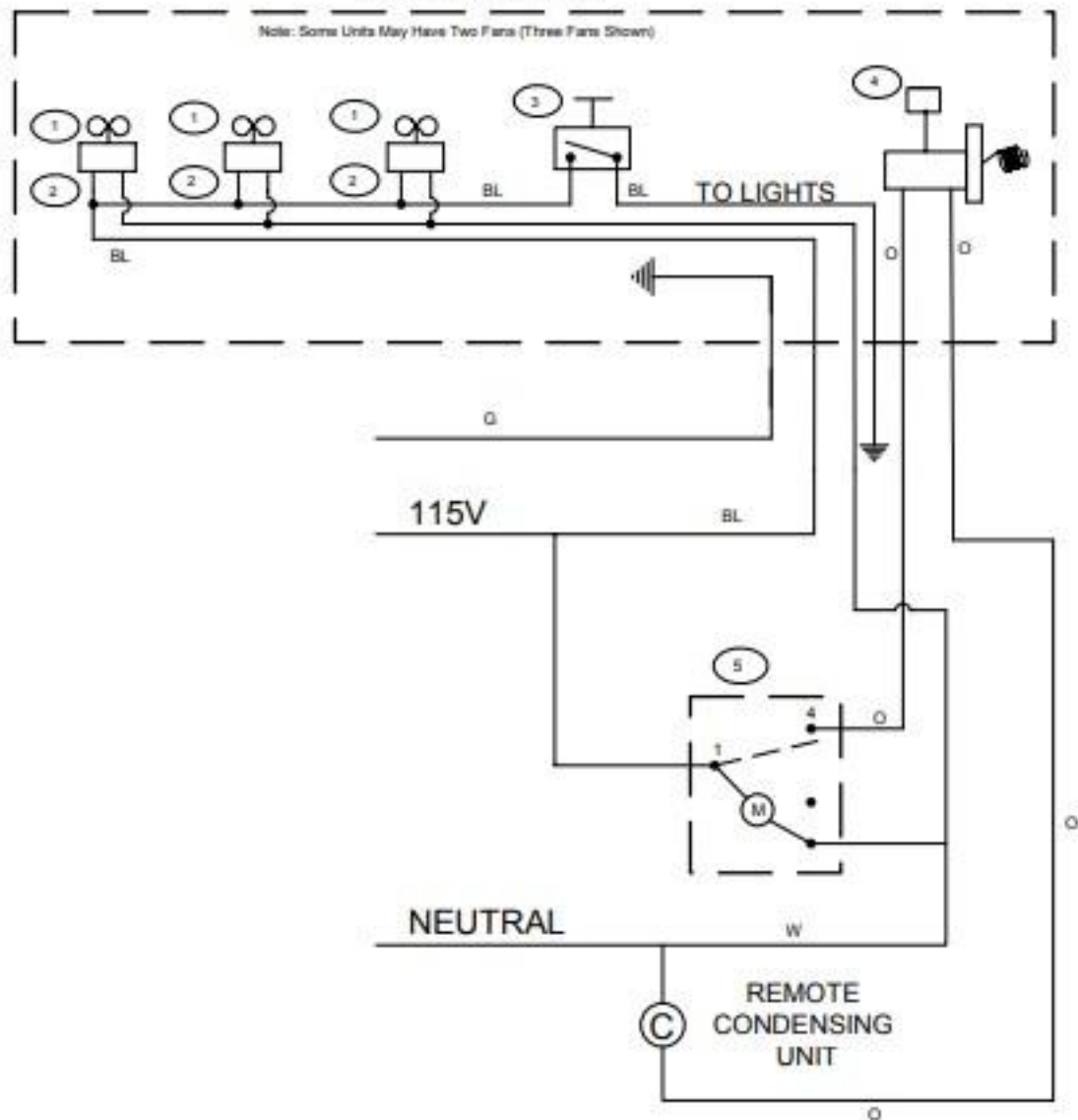


ELECTRICAL RATINGS

All wires are 18 Gauge

Evaporator Assembly

Note: Some Units May Have Two Fans (Three Fans Shown)



ITEM	DESCRIPTION
1	EVAPORATOR FAN BLADE
2	EVAPORATOR FAN MOTOR
3	LIGHT SWITCH
4	THERMOSTAT
5	DEFROST TIMER

LEGEND

BK = Black
 BL = Blue
 W = White
 O = Orange
 G = Green
 R = Red
 Y = Yellow
 Y/BL = Yellow
 w/blue stripe
 Y/R = Yellow
 w/red stripe

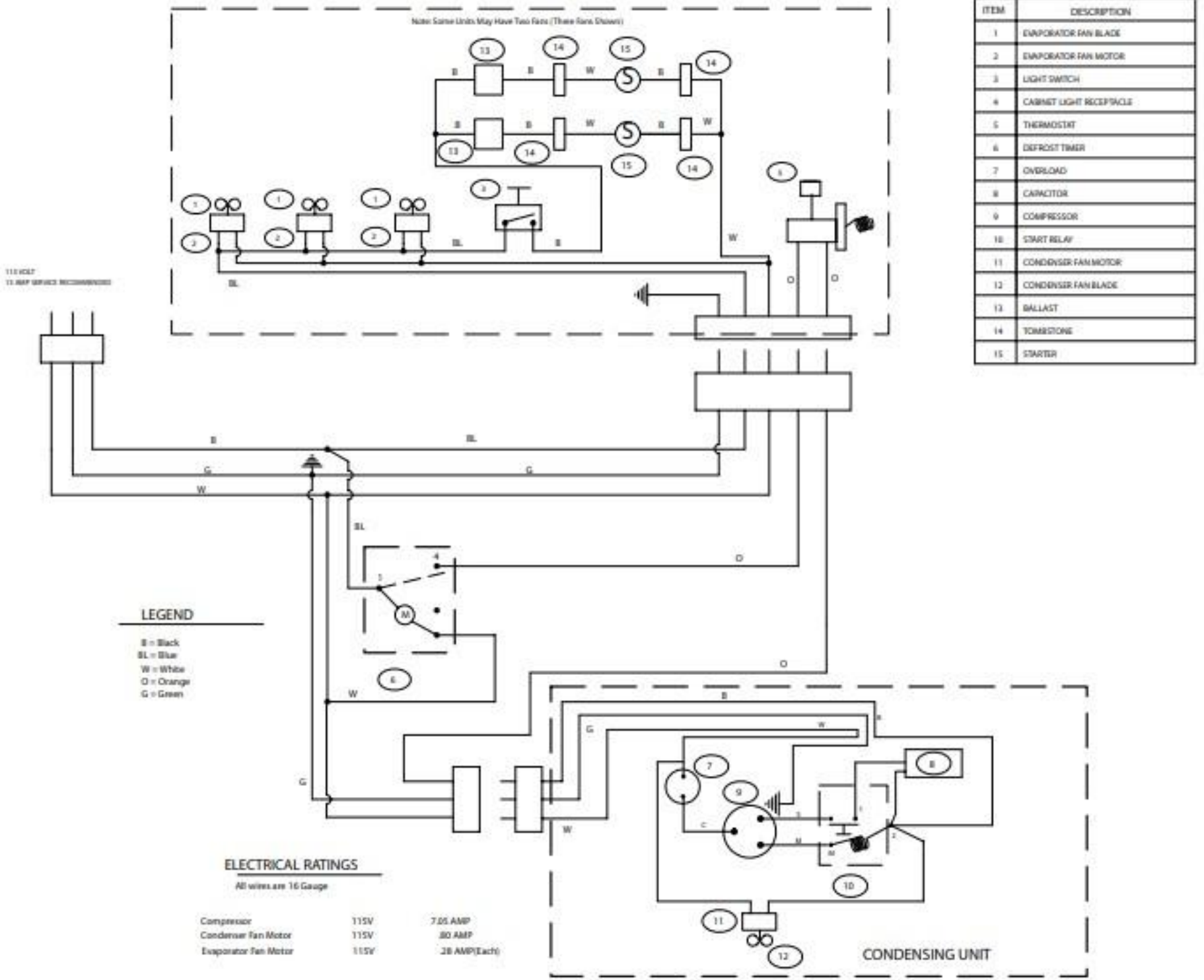
ELECTRICAL RATINGS

All wires are 16 Gauge

Evaporator Fan Motor 115V .28 AMP(Each)

Evaporator Assembly

Note: Some Units May Have Two Fans (Three Fans Shown)



ITEM	DESCRIPTION
1	EVAPORATOR FAN BLADE
2	EVAPORATOR FAN MOTOR
3	LIGHT SWITCH
4	CABINET LIGHT RECEPTACLE
5	THERMOSTAT
6	DEFROST TIMER
7	OVERLOAD
8	CAPACITOR
9	COMPRESSOR
10	START RELAY
11	CONDENSER FAN MOTOR
12	CONDENSER FAN BLADE
13	BALLAST
14	THERMOSTAT
15	STARTER

LEGEND

- B = Black
- BL = Blue
- W = White
- O = Orange
- G = Green

ELECTRICAL RATINGS

All wires are 16 Gauge

Compressor	115V	7.05 AMP
Condenser Fan Motor	115V	.80 AMP
Evaporator Fan Motor	115V	.28 AMP(Each)

