

B[®]
U
T
C
H
E
R
B
O
Y

MAINTENANCE AND PARTS MANUAL

SA16 STAINLESS STEEL BAND SAW



[®]

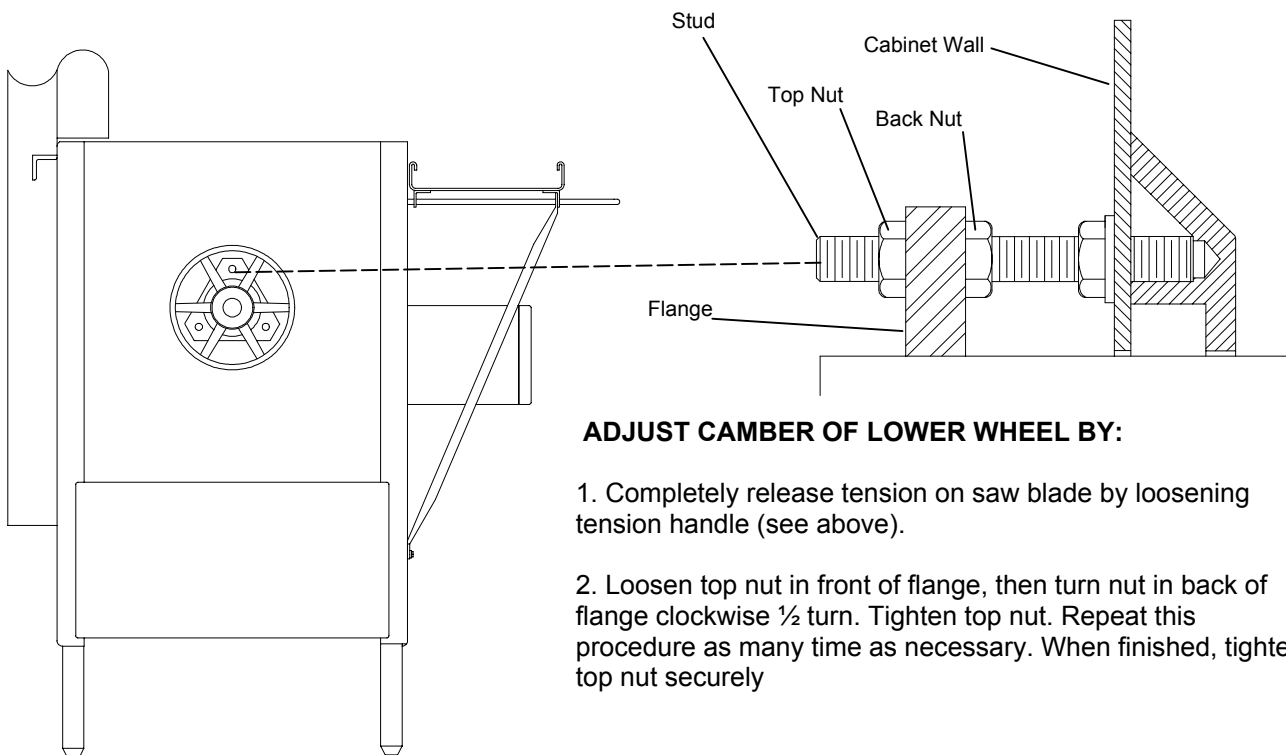
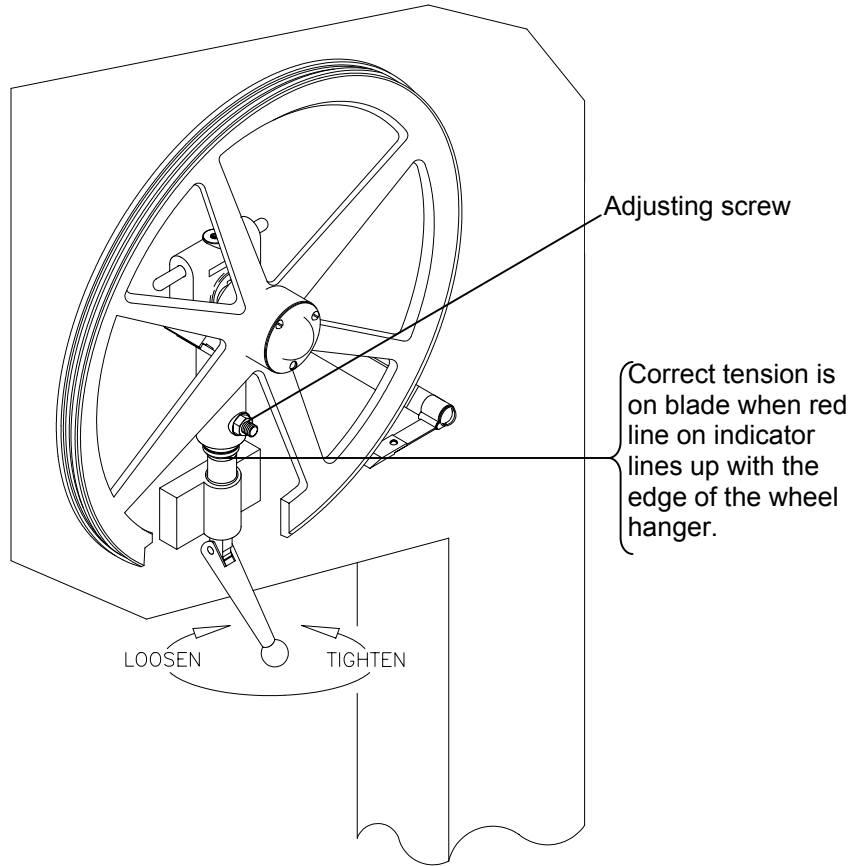
ORDER PARTS AND SERVICE FROM:

BUTCHER BOY SA16 STAINLESS STEEL BAND SAW

WARNING

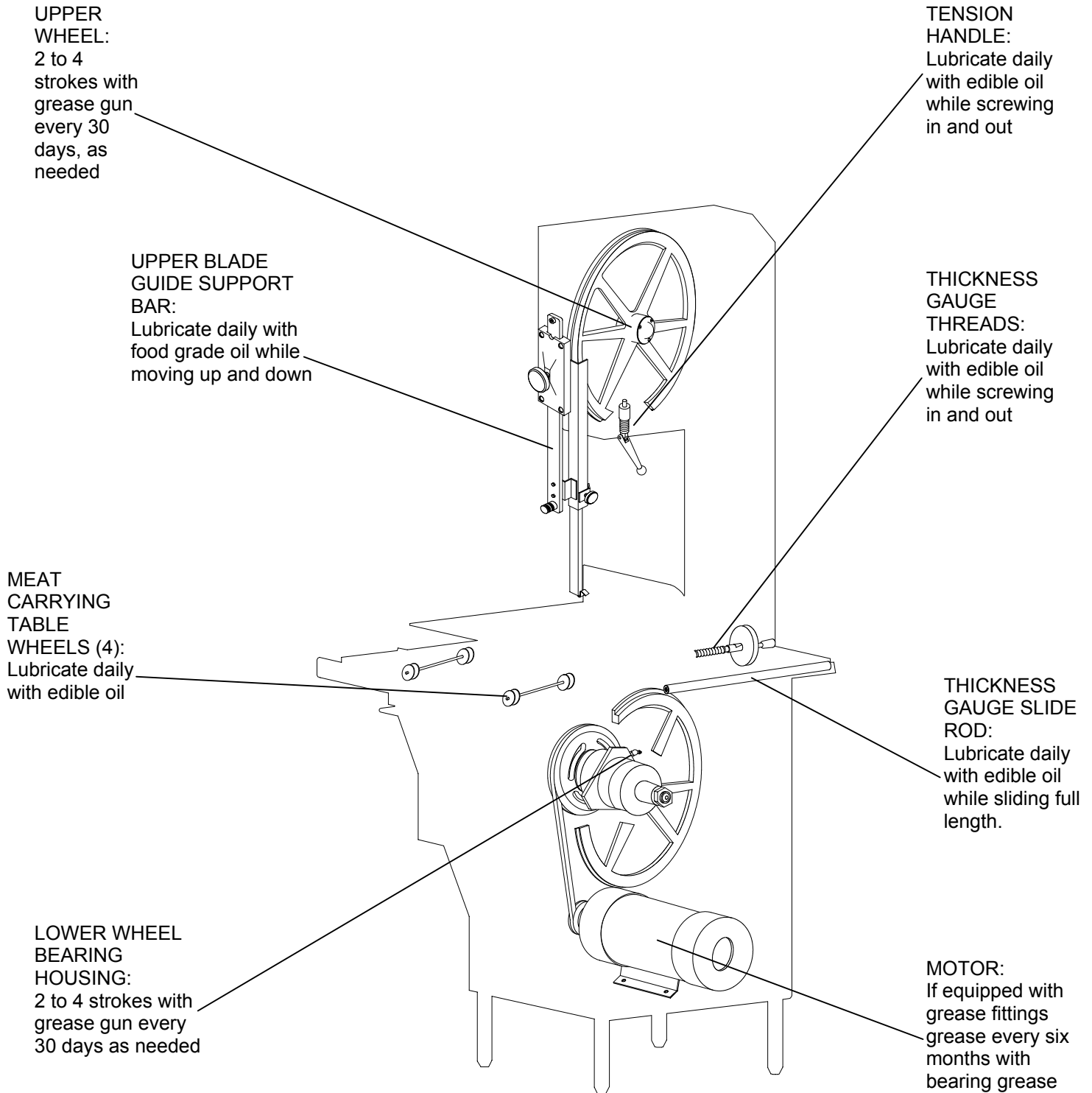
NEVER TIGHTEN BLADE BEYOND RED INDICATOR LINE.

BLADE BREAKAGE, SHORTENED BEARING LIFE AND SHAFT BREAKAGE MAY OCCUR.



BUTCHER BOY SA16 STAINLESS STEEL BAND SAW

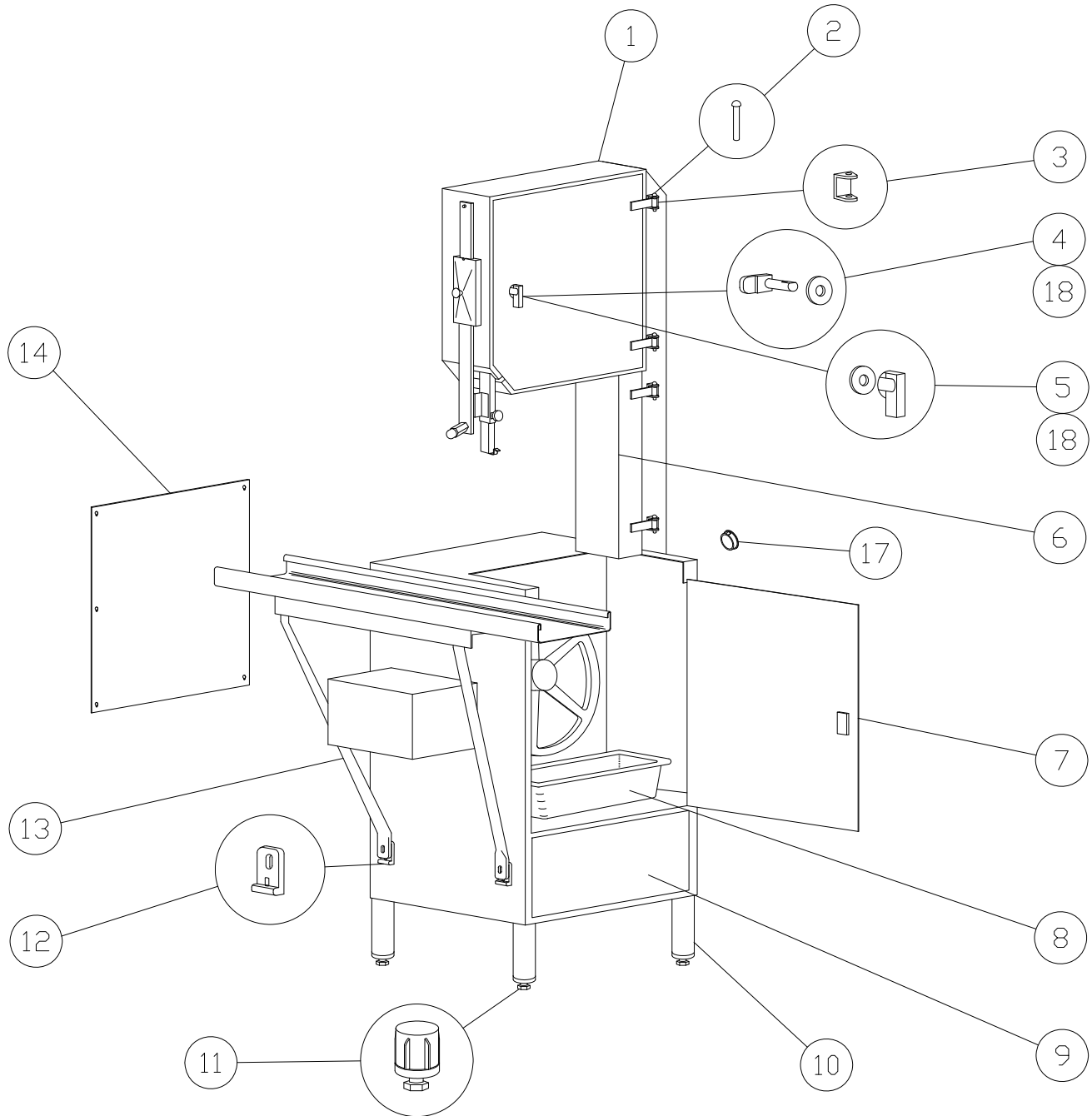
LUBRICATION INSTRUCTIONS



After washing and sanitizing spray entire saw (interior and exterior) with food grade white oil.

BUTCHER BOY SA16 STAINLESS STEEL BAND SAW

CABINET

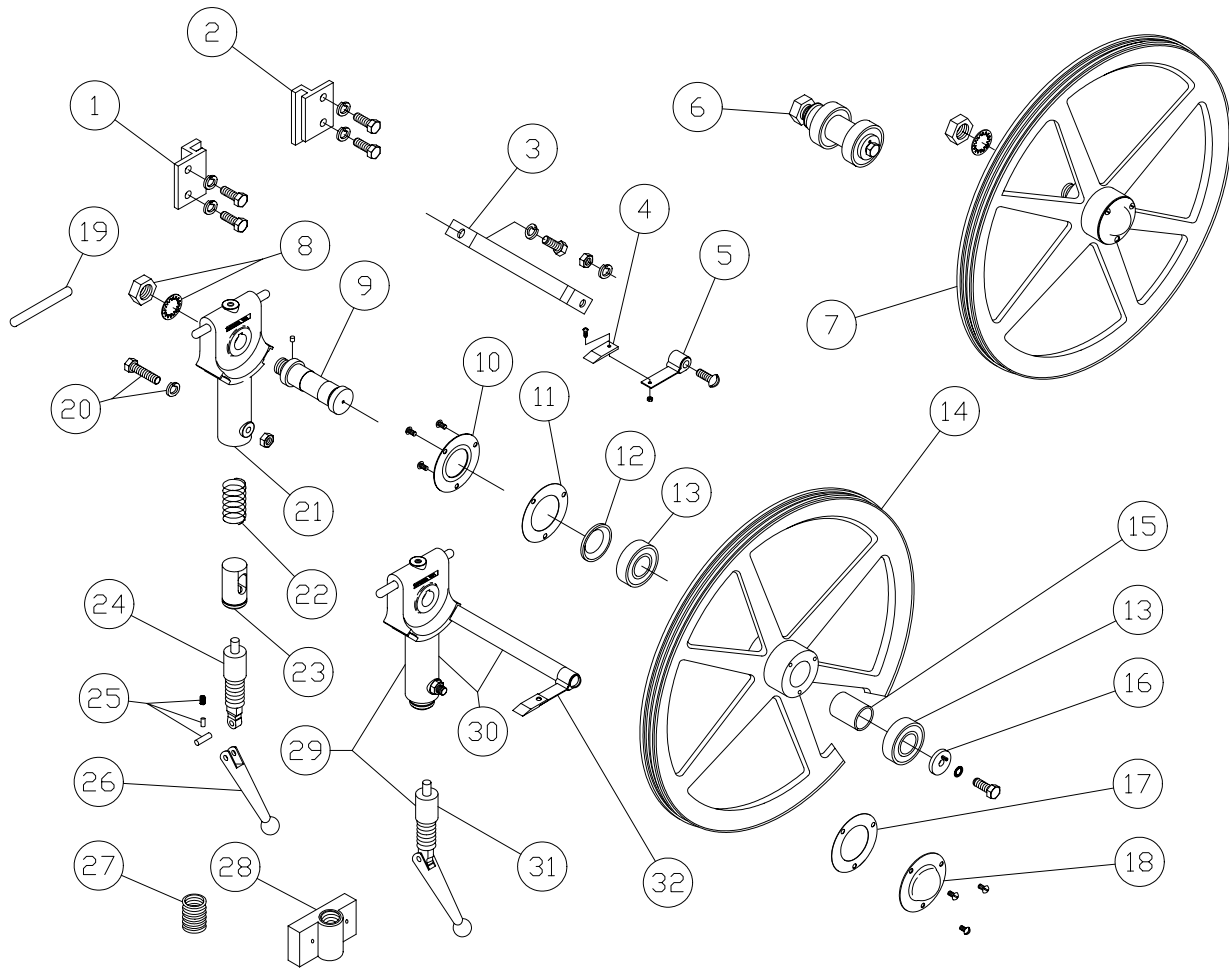


ITEM	PART#	DESCRIPTION	USE
1	00160635	UPPER DOOR ASSY.	1
2	00160672	S/S HINGE PIN	6
3	0010571	S/S HINGE	6
4	0010650S	S/S LATCH ASSY.	2
5	0010401	DOOR HANDLE	2
6	00160645	COLUMN DOOR ASSY.	1
7	00160640	LOWER DOOR ASSY.	1
8	0014069	BONE BOX	1
9	0016111	MOTOR ACCESS PANEL	2

ITEM	PART#	DESCRIPTION	USE
10	0010307S	LEG & FOOT ASSY.	4
11	0059390	FOOT ASSY.	4
12	0010260	BRACE ADJUST BRACKET	2
13	0010014	BRACE	2
14	0016106	DOOR	1
15			
16			
17	0093695	PLUG	1
18	0090602	RUBBER WASHER	4

BUTCHER BOY SA16 STAINLESS STEEL BAND SAW

UPPER WHEEL

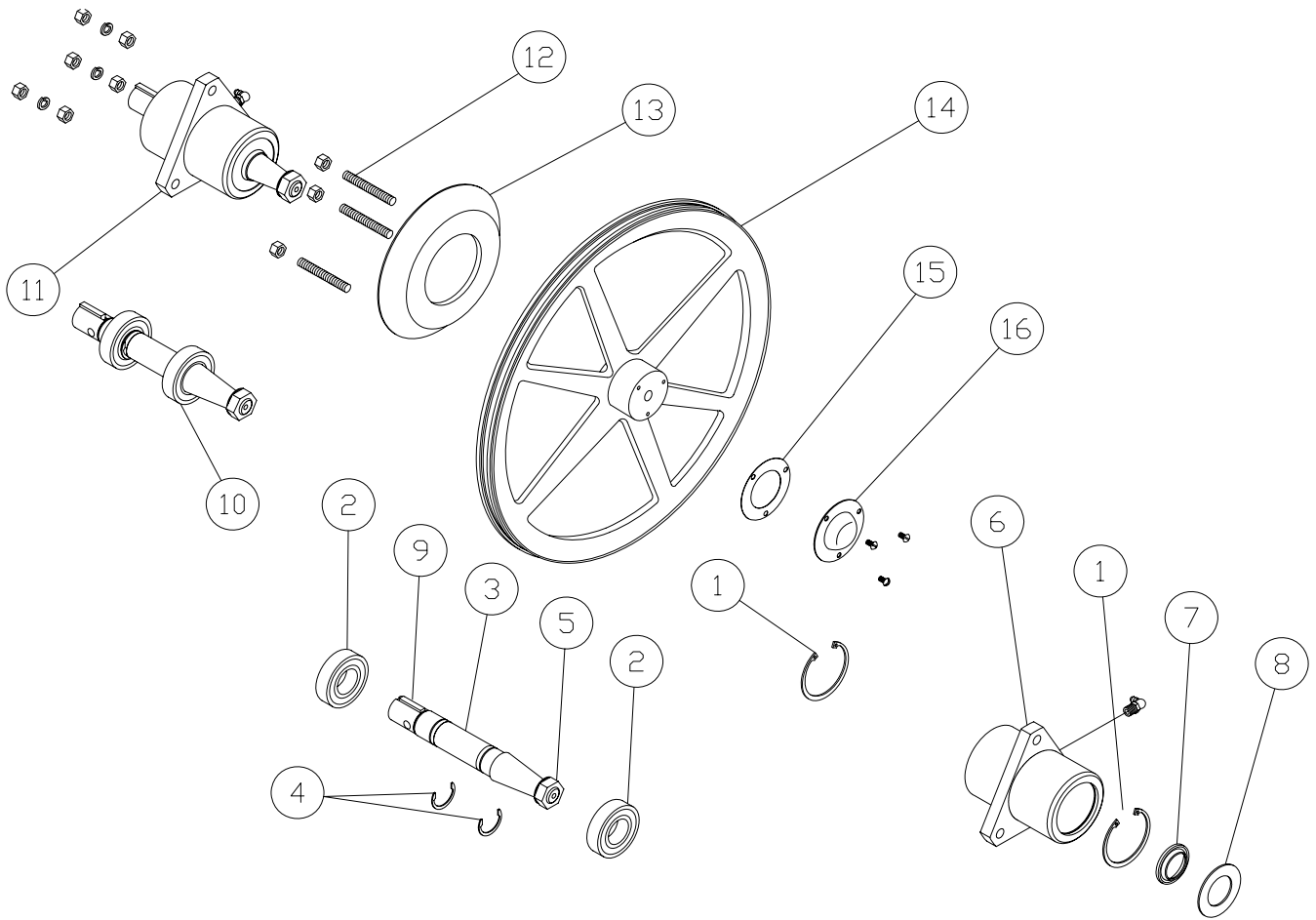


ITEM	PART#	DESCRIPTION	USE
1	0010282	GUIDE BLOCK LH	1
2	0010283	GUIDE BLOCK RH	1
3	0016511S	SCRAPER ARM	1
4	0010040	FIBER SCRAPER	1
5	0010277	SCRAPER SPRING	1
6	0010574	UPPER SHAFT & BEARING ASSY.	1
7	0016038	16" UPPER WHEEL & SHAFT ASSY.	1
8	0010770	WHEEL SHAFT NUT AND WASHER	1
9	0010150	UPPER SHAFT W/NUT & WASHER	1
10	0010030	BEARING RETAINER	1
11	0010127	GASKET	2
12	0090400	RUBBER SEAL	1
13	0090302	BEARING	2
14	0016040	16" UPPER WHEEL RH	1
15	0010258	BEARING SPACER	1
16	0010121S	RETAINER & SCREW ASSY.	1

ITEM	PART#	DESCRIPTION	USE
17	0010127	GASKET	2
18	0010031	HUB CAP	1
19	0016034	GUIDE PIN-TENSION GAUGE	1
20	0016675	ADJUSTING SCREW & NUT	1
21	0010730	UPPER HANGER	1
22	0010082	TENSION SPRING	1
23	0010056	INDICATOR	1
24	0010033S	ADJUSTING SCREW	1
25	0016093	PINS & SPRING ASSY.	1
26	0016090	TENSION HANDLE	1
27	0010034	THREADED INSERT	1
28	0016620	GAUGE BLOCK & INSERT	1
29	0016029	BLADE TENSION ASSY.	1
30	0016059	HANGER & ARM ASSY.	1
31	0016089S	TENSION HANDLE ASSY.	1
32	0010377	WHEEL SCRAPER ASSY.	1

BUTCHER BOY SA16 STAINLESS STEEL BAND SAW

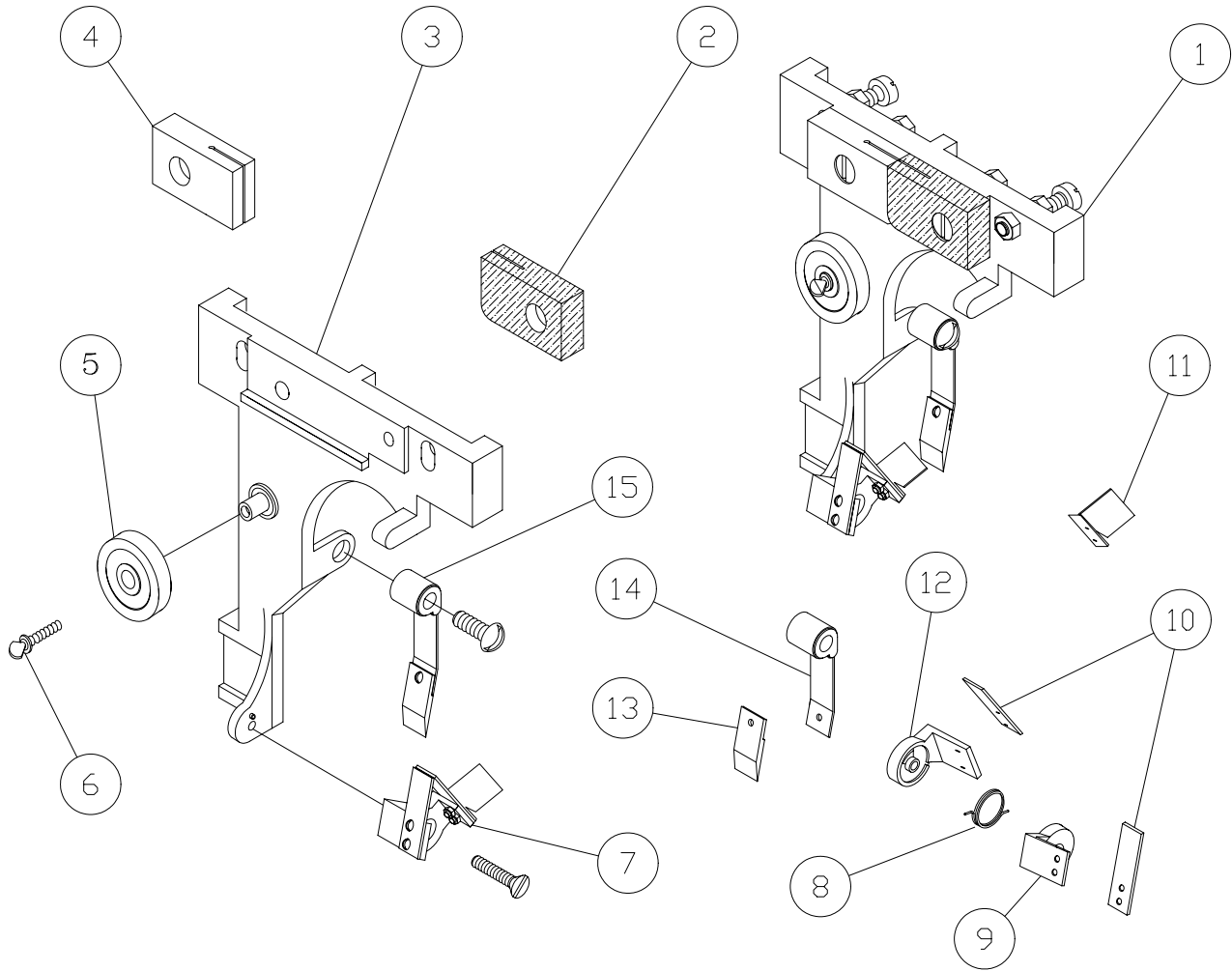
LOWER WHEEL



ITEM	PART#	DESCRIPTION	USE
1	0090200	RETAINING RING	2
2	0090300	BRARING	2
3	0010023	SHAFT ASSY. W/WASHER & NUT	1
4	0090201	RETAINING RING	2
5	0010770	NUT AND WASHER	1
6	0010024	BEARING HOUSING	1
7	0090400	RUBBER SEAL	1
8	0010029	SPECIAL WASHER	1
9	0059247-8	KEY	1
10	0010575	LOWER SHAFT AND BEARING ASSY.	1
11	0010025	LOWER SHAFT AND HOUSING ASSY.	1
12	0010078	STUD	3
13	0010077	BEARING HOUSING SUPPORT	1
14	0016041	16" LOWER WHEEL RH	1
15	0010127	GASKET	1
16	0010031	HUB CAP	1

BUTCHER BOY SA16 STAINLESS STEEL BAND SAW

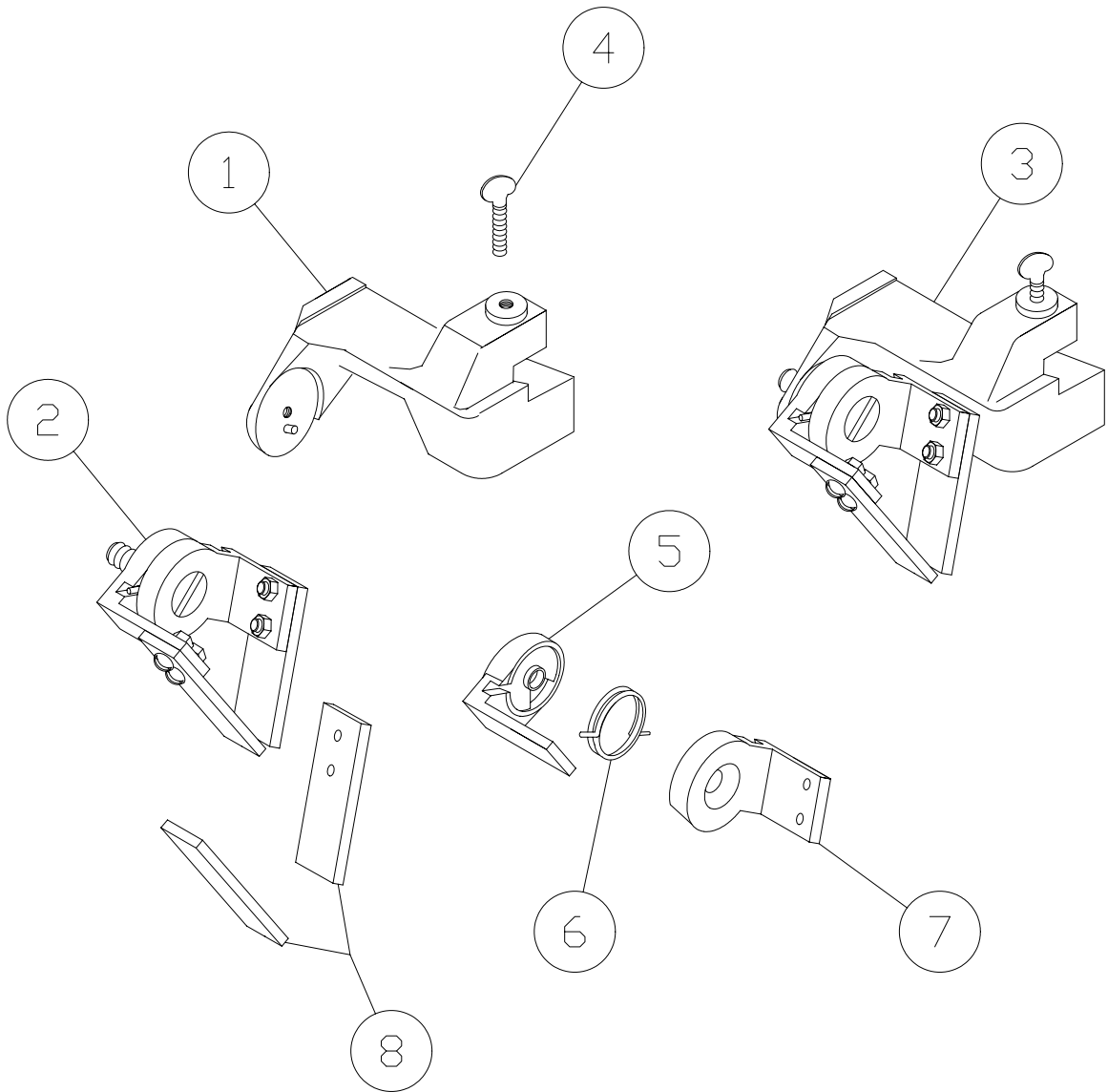
FRONT SCRAPER



ITEM	PART#	DESCRIPTION	USE
1	0010304	FRONT SCRAPER ASSY.	1
2	0010000	FIBER BLADE BLOCK	1
2	0010000P	WHITE PLASTIC BLADE BLOCK	1
3	0010305	SCRAPER & ROLLER MOUNT	1
4	0010002	LOWER BLADE GUIDE (STANDARD)	1
4	0020785	LOWER BLADE GUIDE H.S. (.030)	*
4	0020786	LOWER BLADE GUIDE H.S. (.018)	*
5	0090301	BACK-UP BEARING	1
6	0010369	THUMB SCREW	1
7	0010464	BLADE SCRAPER ASSY.	1
8	0010199	SPRING	1
9	0010302	LH SCRAPER HOLDER	1
10	0010310	SCRAPER - STAINLESS STEEL	2
11	0010197	DEFLECTOR	1
12	0010301	RH SCRAPER HOLDER	1
13	0010040	FIBER WHEEL SCRAPER	1
14	0010277	SCRAPER SPRING	1
15	0010377	WHEEL SCRAPER ASSY.	1

BUTCHER BOY SA16 STAINLESS STEEL BAND SAW

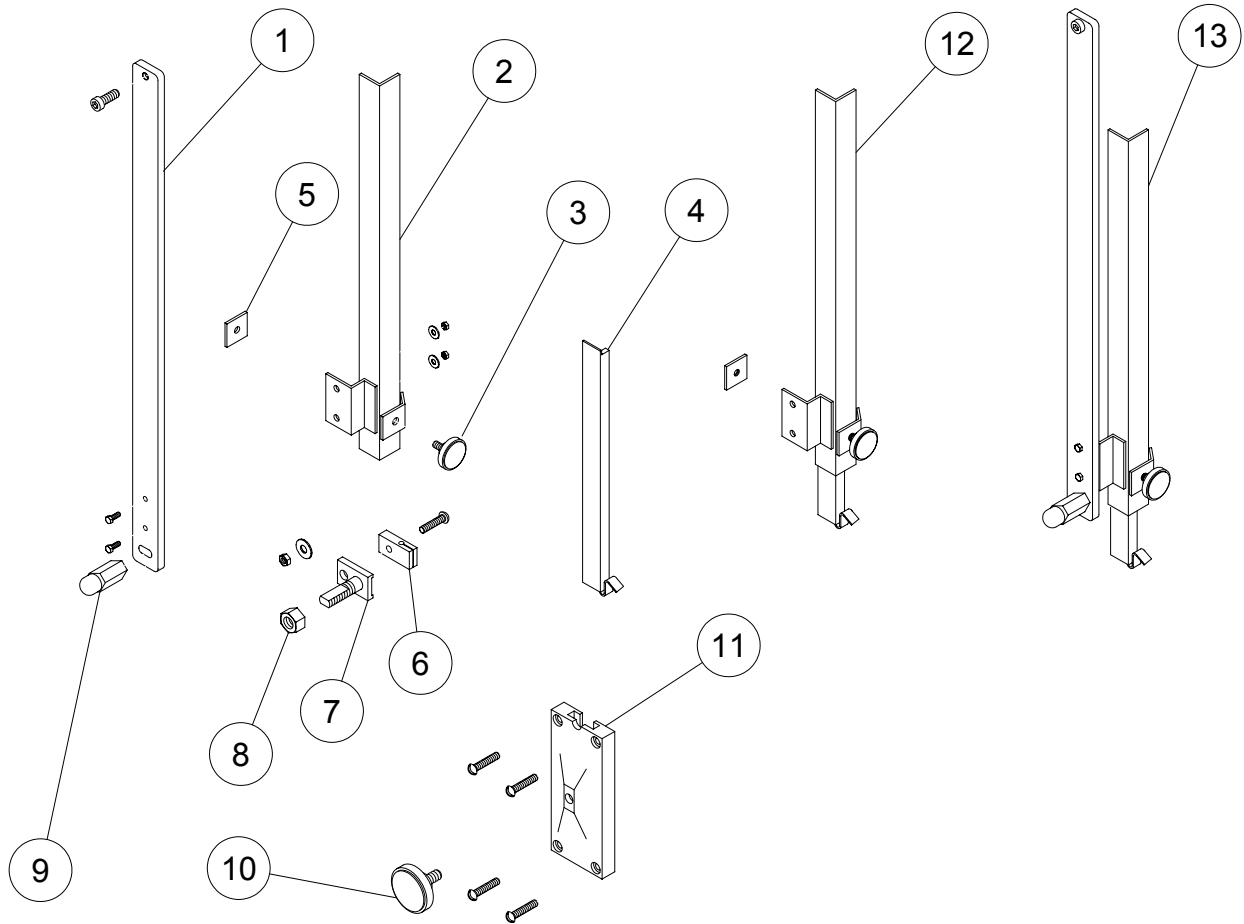
REAR BLADE SCRAPER



ITEM	PART#	DESCRIPTION	USE
1	00160617	SCRAPER MOUNT	1
2	0010460	BLADE SCRAPER ASSY.	1
3	00160618	REAR SCRAPER ASSY.	1
4	0010303S	THUMB SCREW	1
5	0010302	LH SCRAPER HOLDER	1
6	0010199	SPRING	1
7	0010301	RH SCRAPER HOLDER	1
8	0010300	FIBER SCRAPER	2

BUTCHER BOY SA16 STAINLESS STEEL BAND SAW

BLADE GUARD

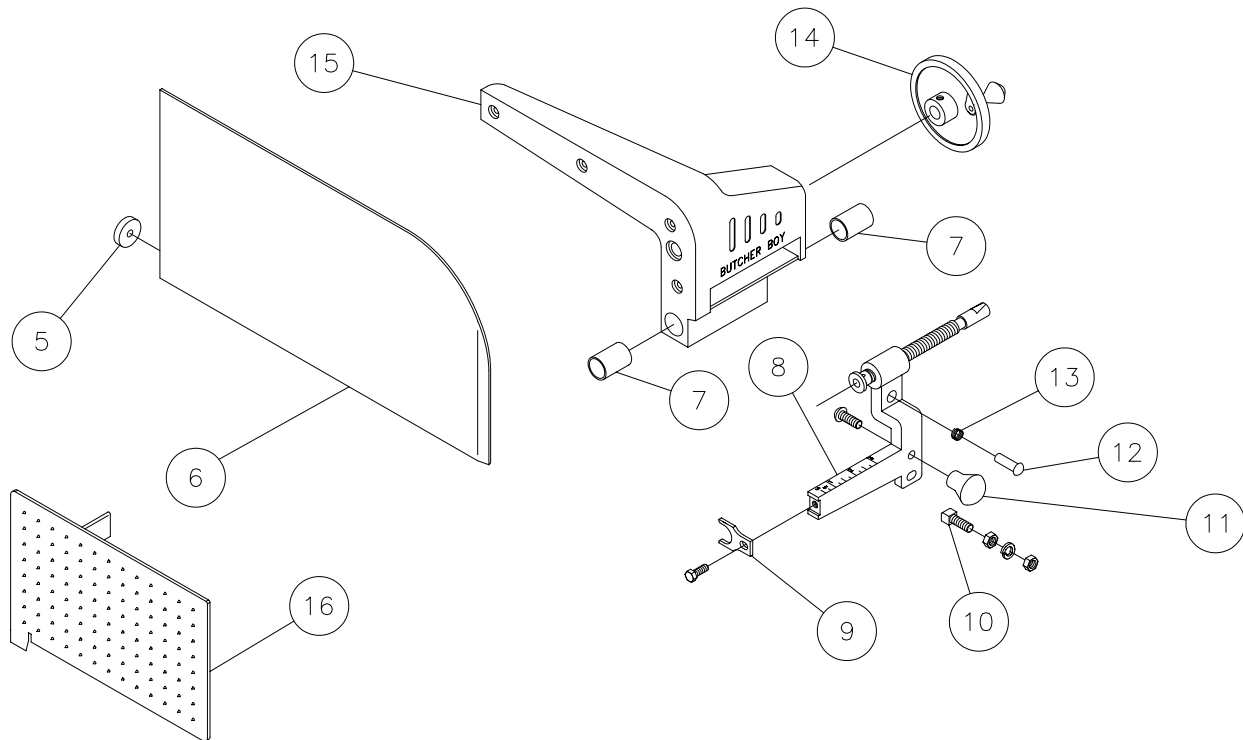
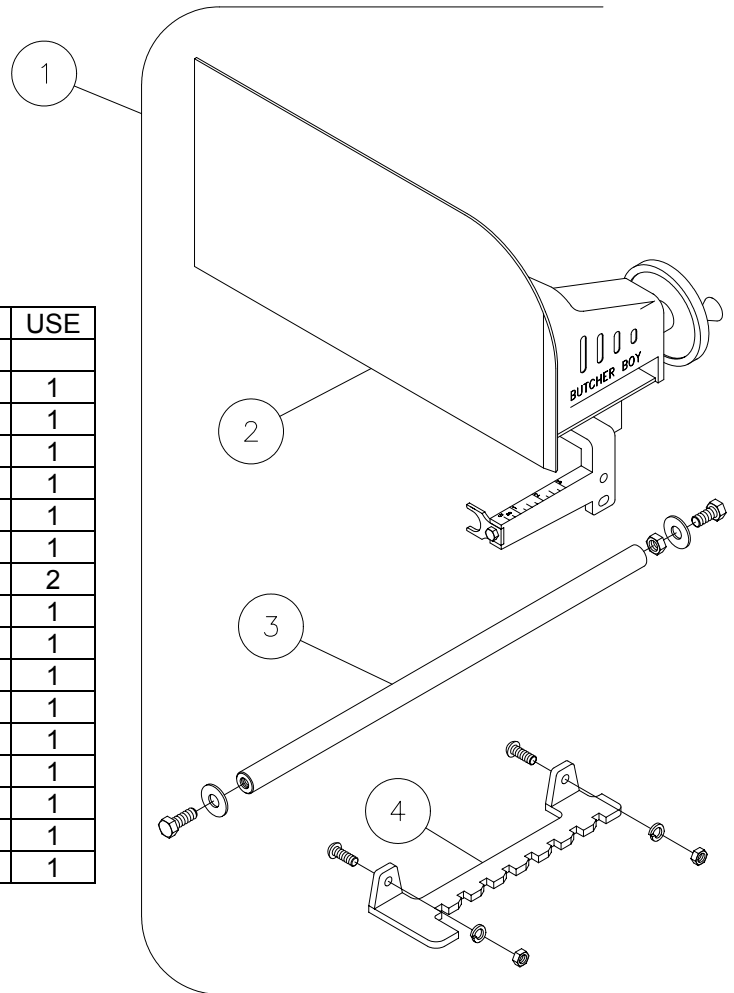


ITEM	PART#	DESCRIPTION	USE
1	00160695	BLADE SUPPORT ADJ. BAR (26" BAR)	1
2	00160700S	BLADE GUARD ASSY. RH (26" BAR)	1
3	0095084S	KNOB	1
4	00160665	BLADE GUARD EXTENSION RH	1
5	0010714	EXTENTION STOP	1
6	0020785	BLADE GUIDE (.030 CARBIDE)	1
6	0020786	BALDE GUIDE (.018 CARBIDE)	1
7	0020782S	HOLDER	1
8	0020788S	LOCK NUT	1
9	0020789S	HAND GRIP HEX NUT	1
10	0090600S	KNOB	1
11	0020779	BLADE SUPPORT BAR GUIDE	1
12	00160701	BLADE GUARD ASSY. W/EXT-RH (26" BAR)	1
13	00160705	BLADE GUARD ASSY. W/EXT & ADJ. BAR	1

BUTCHER BOY SA16 STAINLESS STEEL BAND SAW

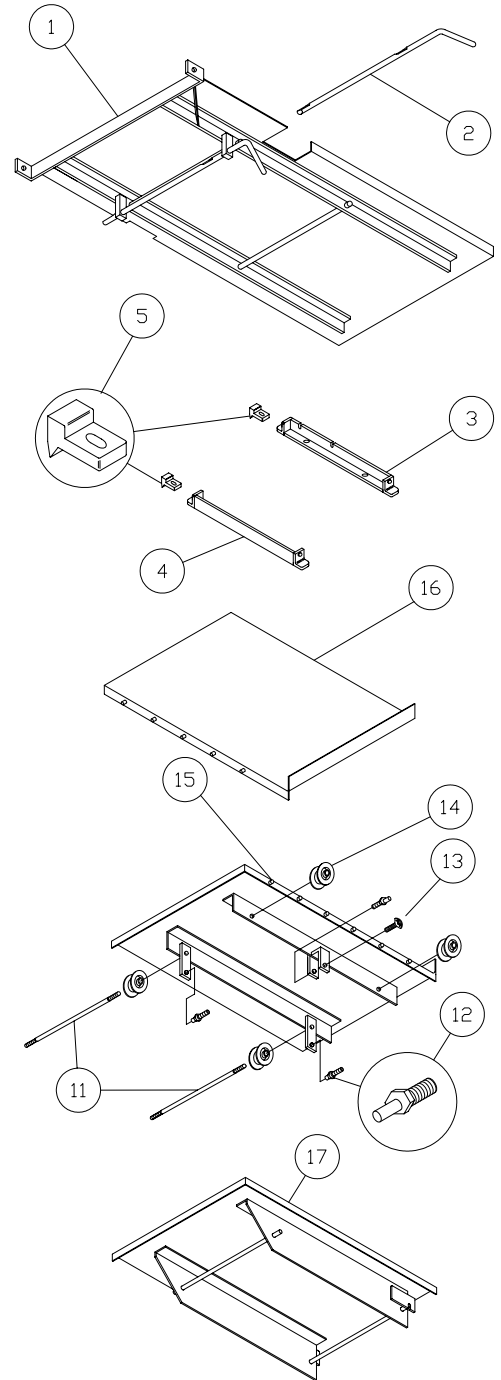
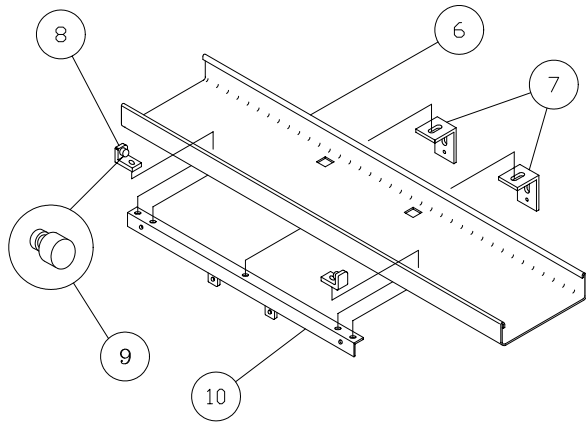
THICKNESS GAUGE

ITEM	PART#	DESCRIPTION	USE
1	0016072	THICKNESS GAUGE W/RATCHET & ROD	1
2	0010316	THICKNESS GAUGE ASSY.	1
3	0016541	GAUGE SLIDE ROD ASSY.	1
4	0010180	RATCHET LOCK W/HARDWARE	1
5	0010297	ROLLER	1
6	0010250	GAUGE PLATE	1
7	0090700	BUSHING	2
8	0010284	GAUGE SPINDLE & ARM ASSY.	1
9	0010313	GAUGE ARM SUPPORT	1
10	0010782S	LOCK PIN W/WASHER AND NUT	1
11	0010315	KNOB	1
12	0010211	PIN	1
13	0010314	SPRING	1
14	0010287	HAND WHEEL	1
15	0010291	HOUSING	1
16	0010208	RH SHORT CUT PLATE	1



BUTCHER BOY SA16 STAINLESS STEEL BAND SAW

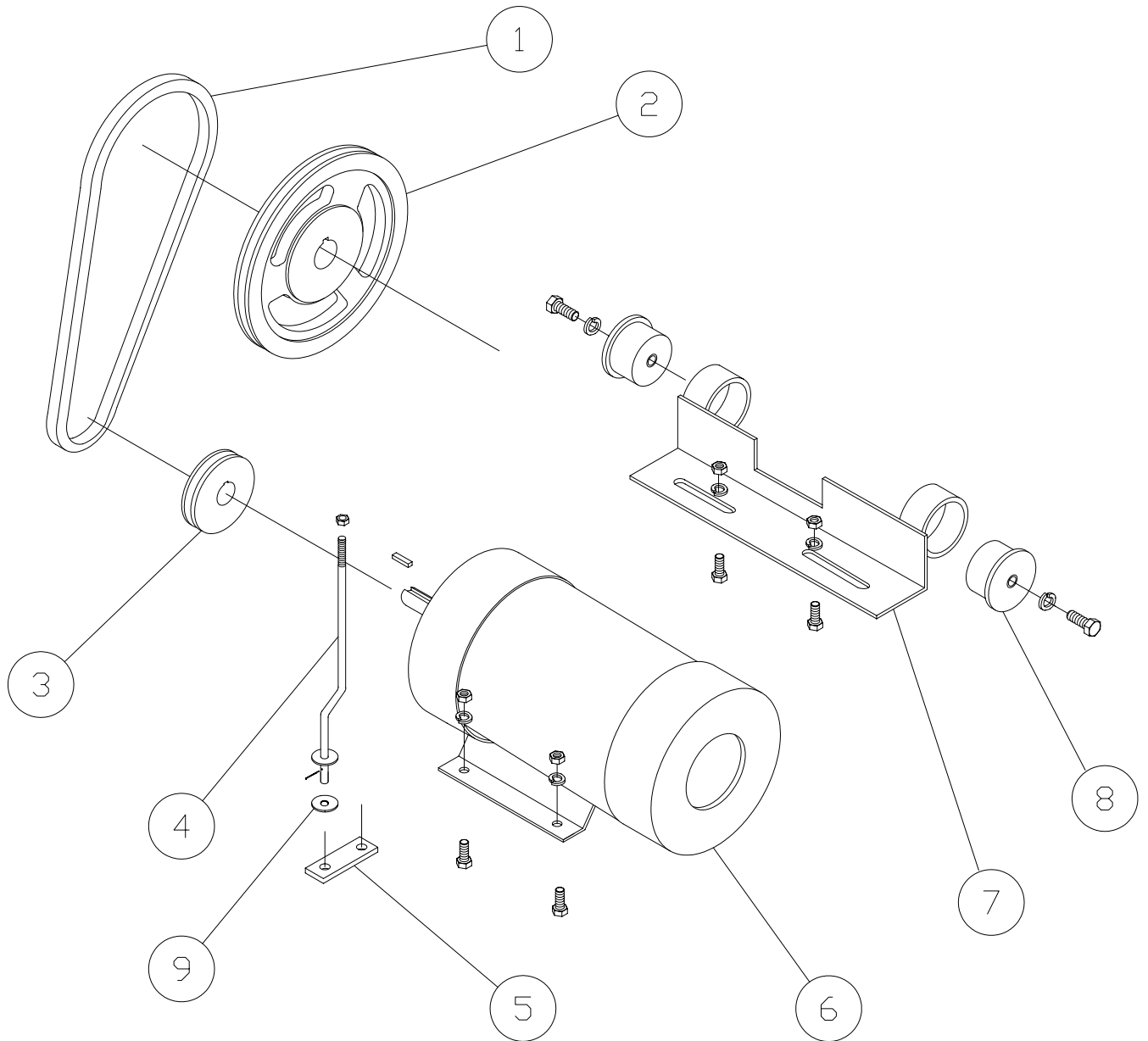
TABLES AND SUPPORT



ITEM	DESCRIPTION	PART#	USE
1	STATIONARY TABLE ASSY.	00160660	1
2	TABLE LOCK LEVER	0016060	1
3	FRONT TABLE SUPPORT	0010331	1
4	REAR TABLE SUPPORT	0010332	1
5	LEVER ADJUSTING LOCK	0010293	2
6	TABLE TRACK	0016120	1
7	TABLE TRACK SUPPORT	0010126	2
8	STOP BRACKET ASSY.	0010037	2
9	RUBBER STOP	0090612	2
10	ANGLE SUPPORT ASSY.	0010294	1
11	TABLE WHEEL AXEL	0010329	2
12	TABLE HOLDING PIN	0010098	3
13	THUMB SCREW	TS-21-16-S	1
14	U-GROOVE WHEEL	0010068	4
15	TABLE BUTTON	0010016	6
16	ROLLER TABLE ASSY	0016023	1
17	EXTENSION TABLE (OPT)	0010003	1

BUTCHER BOY SA16 STAINLESS STEEL BAND SAW

DRIVE UNIT

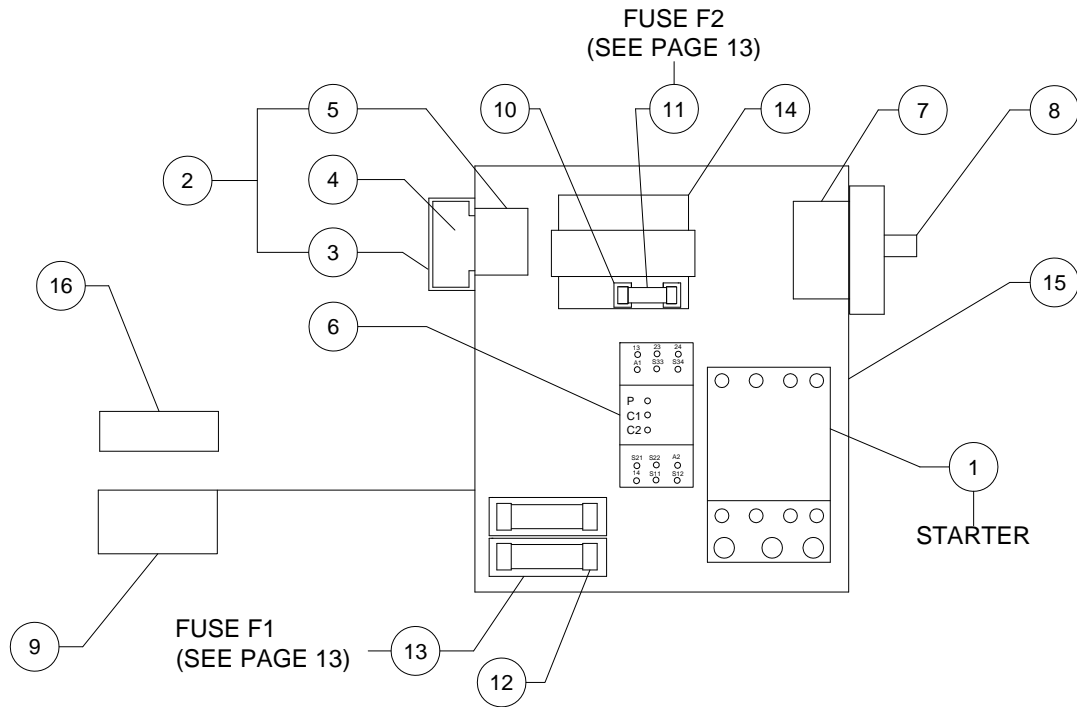


ITEM	PART#	DESCRIPTION	USE
1	0090537	STANDARD SPEED BELT	1
1	0090513	HIGH SPEED BELT	1
2	0010876	DRIVEN PULLEY (8 3/4")	1
2	0090199-142	DRIVEN PULLEY (6")	1
3	****	MOTOR PULLEY	1
4	0010384S	TORQUE ROD ASSY.	1
5	0010430S	TORQUE BRACKET	1
6		MOTOR – SEE: PAGE 13	1
7	0010344S	MOTOR MOUNT ASSY.	1
8	0010118	RUBBER MOUNT ASSY.	2
9	0090602	RUBBER WASHER	1

MOTOR PULLEY****

HP	VOLT	PH	PART#
1.5	115	1	0010485
2.0	208-575	3	0010485
2.0	208-230	1	0010477
3.0	208-575	3	0010477

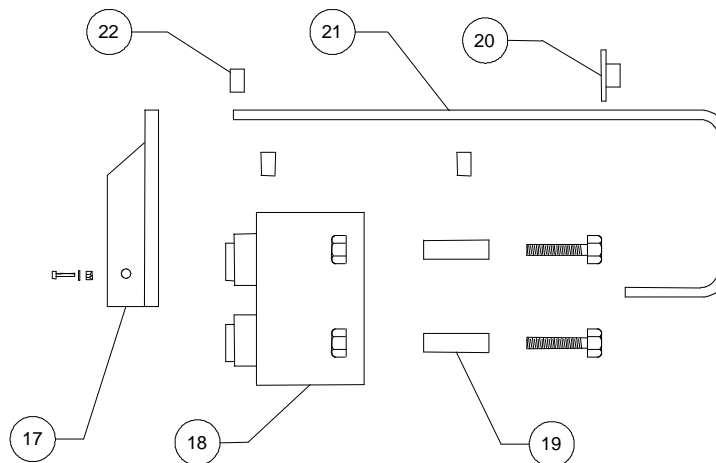
BUTCHER BOY SA16 STAINLESS STEEL BAND SAW



ITEM	PART#	DESCRIPTION	USE
1		STARTER (SEE PAGE 13)	1
2	0093999-030	START BUTTON ASSY.	1
3	0093999-029	RUBBER BOOT	1
4	0093999-031	PUSH BUTTON	1
5	0093999-026	CONTACT BLOCK	1
6	0093999-316	EVALUATION RELAY	1
7	0093999-023	DISCONNECT SWITCH	1
8	0093999-055	SWITCH HANDLE	1
9	0093999-317	READ & ACTUATOR	2
10			

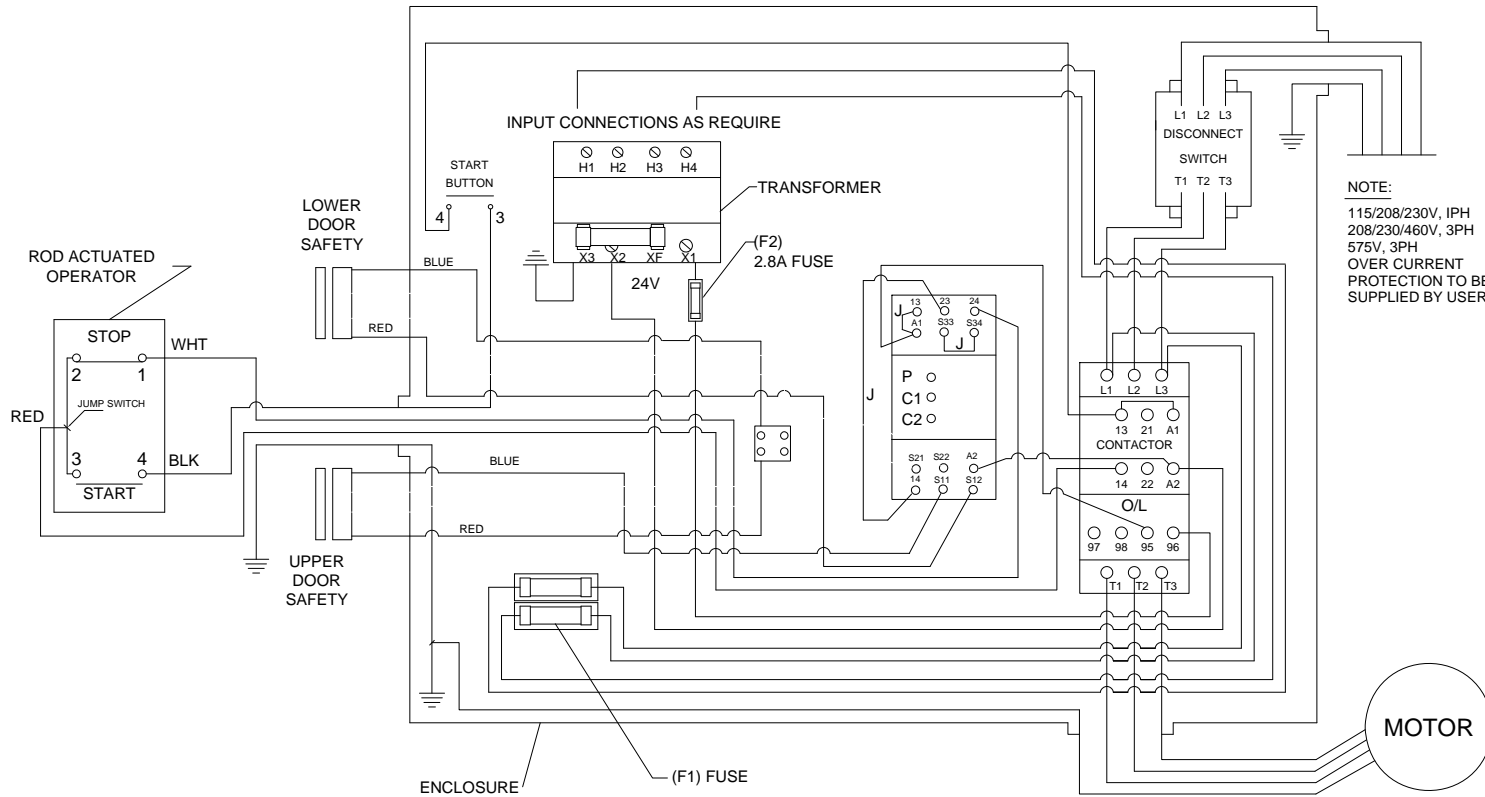
ITEM	PART#	DESCRIPTION	USE
			1
11		FUSE F2 (SEE PAGE 13)	1
12	0093999-024	FUSE HOLDER (PRIMARY)	1
13		FUSE F1 (SEE PAGE 13)	2
14	0093999-067	TRANSFORMER (115/24)	opt
14	0093999-302	TRANSFORMER (208-460/24)	1
14	0093999-068	TRANSFORMER (575/24)	opt
15	00160691	ENCLOSURE	1
16		SEE ITEM # 9	

S/N 07C0577-0N



ITEM	DESCRIPTION	PART#	USE
17	SWITCH ROCKER	0010911S	1
18	PUSH BUTTON ASM.	0093279	1
19	SPACER	0010909	2

ITEM	DESCRIPTION	PART#	USE
20	COLLAR-WASHER	0010915	1
21	SWITCH HANDLE	0010912S	1
22	COLLAR	0090606S	3



NOTE:
 115/208/230V, 1PH
 208/230/460V, 3PH
 575V, 3PH
 OVER CURRENT
 PROTECTION TO BE
 SUPPLIED BY USER.

ELECTRICAL

BUTCHER BOY SA16

HP	VOLTAGE	ø	FLA	PART#	*OVERCURRENT DEVICE	**F1	PART#	***F2	PART#	STARTER
1.5	115	1	20	0092093	35A TIME DELAY FUSE	.80	0093999-066	2.8	0093999-018	0093999-105
1.5	208	1	11.2	0092093	20A TIME DELAY FUSE	.40	0093999-065	2.8	0093999-018	0093999-106
2.0	230	1	8.3	0092107	12A TIME DELAY FUSE	.30	0093999-025	2.8	0093999-018	0093999-109
2.0	208	3	7.5	0092118	12A TIME DELAY FUSE	.40	0093999-065	2.8	0093999-018	0093999-108
2.0	230	3	6.8	0092118	10A TIME DELAY FUSE	.30	0093999-025	2.8	0093999-018	0093999-108
3.0	208	3	10.6	0092169	15A TIME DELAY FUSE	.40	0093999-065	2.8	0093999-018	0093999-109
3.0	230	3	9.6	0092169	17.5A TIME DELAY FUSE	.30	0093999-025	2.8	0093999-018	0093999-109
2.0	460	3	3.4	0092118	6.25A TIME DELAY FUSE	.15	0093999-017	2.8	0093999-018	0093999-110
3.0	460	3	4.8	0092169	8A TIME DELAY FUSE	.15	0093999-017	2.8	0093999-018	0093999-111
2.0	575	3	2.7	0092145	5A TIME DELAY FUSE	.15	0093999-017	2.8	0093999-018	0093999-110
3.0	575	3	3.9	0092183	6.25A TIME DELAY FUSE	.15	0093999-017	2.8	0093999-018	0093999-111

*MAXIMUM OVERCURRENT DEVICE TO BE INSTALLED BY USER TO PROTECT THIS MOTOR CONFIGURATION. PER NEC

**USE CLASS "CC" FUSES ONLY

***USE TYPE "FLM" FUSES



MANUFACTURED BY:

AMERICAN MEAT EQUIPMENT LLC.
640 MULBERRY AVE
SELMER, TN 38375

PH: 731-434-1012 • FAX: 731-645-6056