

Series VSX

VSH, VSC[®], and VSCS[®] Models

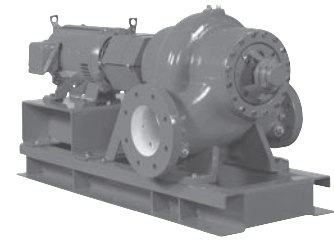
Centrifugal Pumps

Replacement Parts



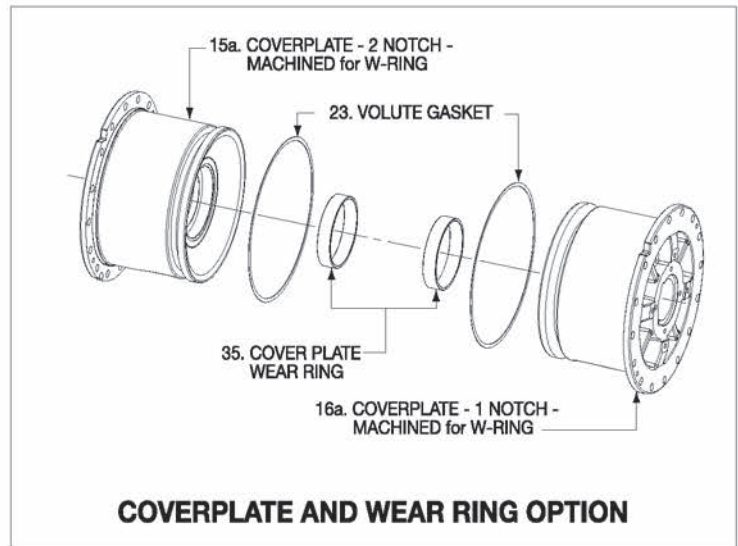
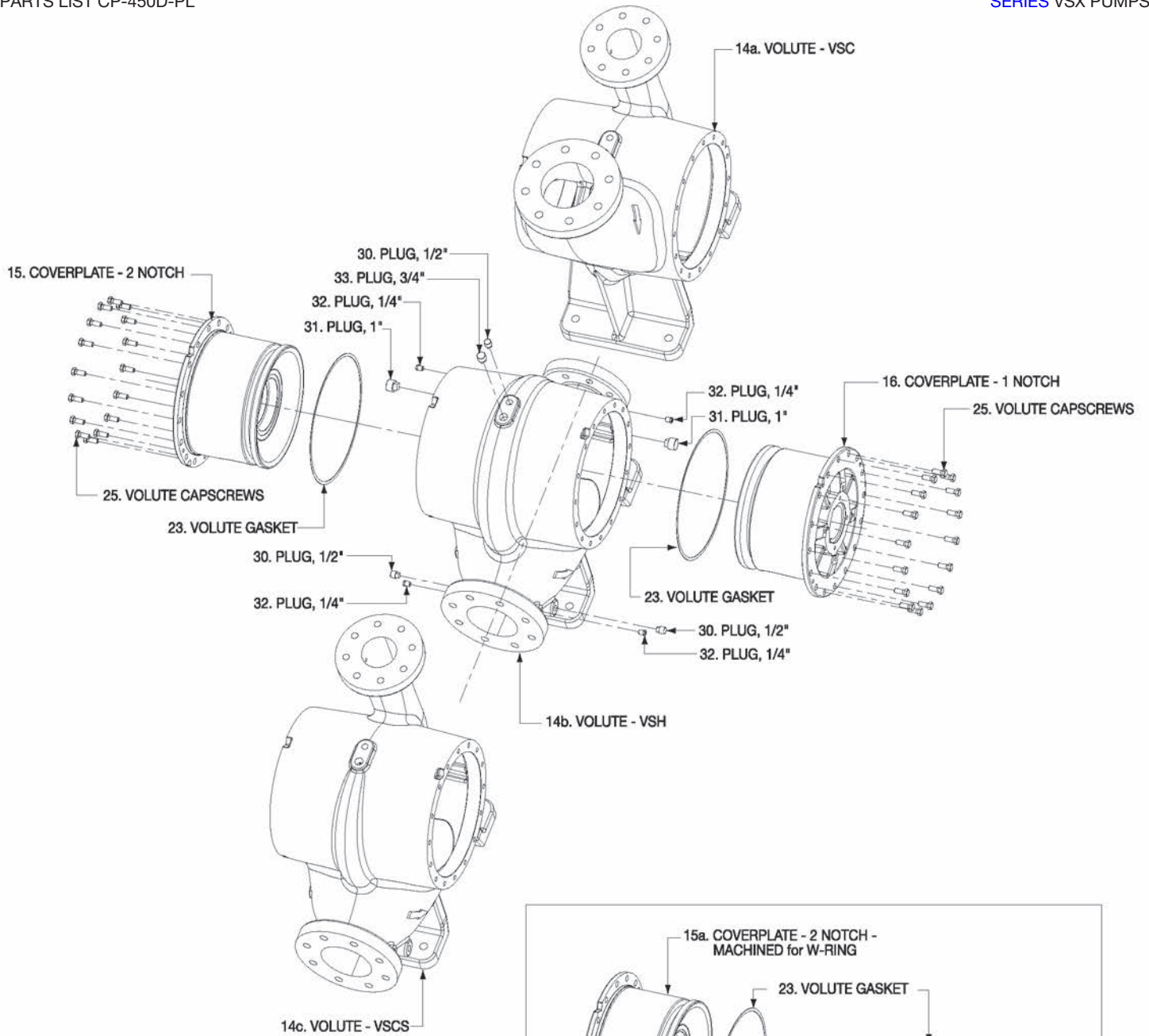
Bell & Gossett

a xylem brand



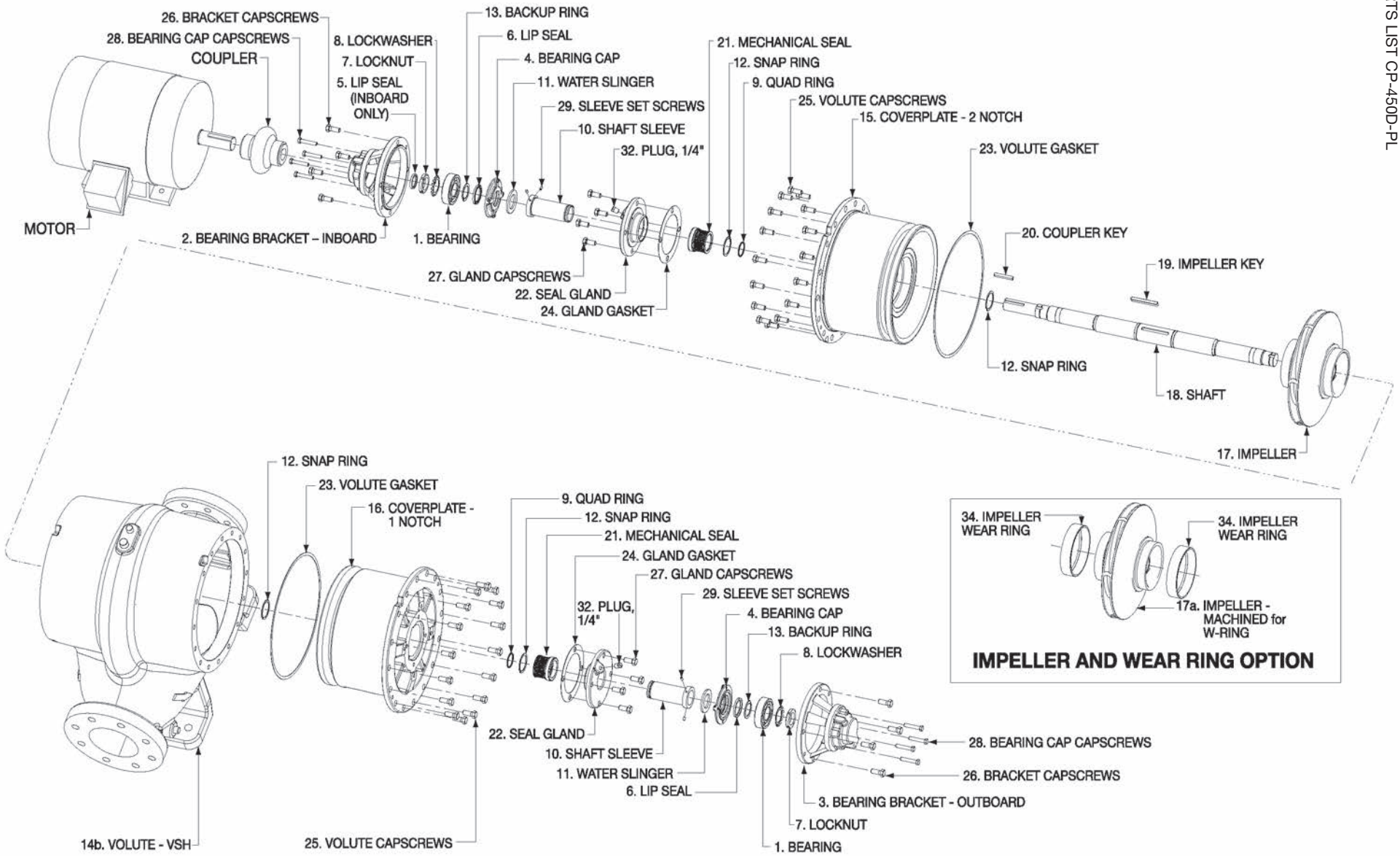
Index

Exploded View - Pump Body	3
Exploded View - Pump Internals - Mechanical Seal Construction	4
Exploded View - Pump Internals - Packing Construction	5
Exploded View - Pump Internals - Cartridge Seal Construction	6
4x6x10.5A Pump Parts	7
4x6x10.5B Pump Parts	8
4x6x13.5A Pump Parts	9
4x6x17.5A Pump Parts	10
5x6x10.5A Pump Parts	11
5x6x10.5B Pump Parts	12
5x6x13.5A Pump Parts	13
5x6x13.5B Pump Parts	14
5x6x17.5A Pump Parts	15
6x8x10.5A Pump Parts	16
6x8x10.5B Pump Parts	17
6x8x13.5A Pump Parts	18
6x8x13.5B Pump Parts	19
6x8x17.5A Pump Parts	20
8x10x10.5A Pump Parts	21
8x10x10.5B Pump Parts	22
8x10x13.5A Pump Parts	23
8x10x13.5B Pump Parts	24
8x10x17.5A Pump Parts	25
8x10x17.5B Pump Parts	26
8x10x22A Pump Parts	27
10x12x10.5A Pump Parts	28
10x12x11.5A Pump Parts	29
10x12x11.5B Pump Parts	30
10x12x13.5A Pump Parts	31
10x12x17.5A Pump Parts	32
10x12x17.5B Pump Parts	33
10x12x22A Pump Parts	34
12x14x13.5A Pump Parts	35
12x14x14A Pump Parts	36
12x14x17.5A Pump Parts	37
12x14x17.5B Pump Parts	38
12x14x22A Pump Parts	39
14x16x13.5A Pump Parts	40
14x16x15A Pump Parts	41
14x16x17.5A Pump Parts	42
14x16x22A Pump Parts	43
16x18x19A Pump Parts	44
18x20x22A Pump Parts	45
18x20x22B Pump Parts	46
Seal and Quad Ring Selection Tables	47
Woods Coupler Selection Tables	48
Woods Coupler Guard Selection Tables	50
Woods Coupler Guard Support, Hardware & Bracket Shield Selection Tables	52
Optional Drip Pan Assembly Selection Charts	53



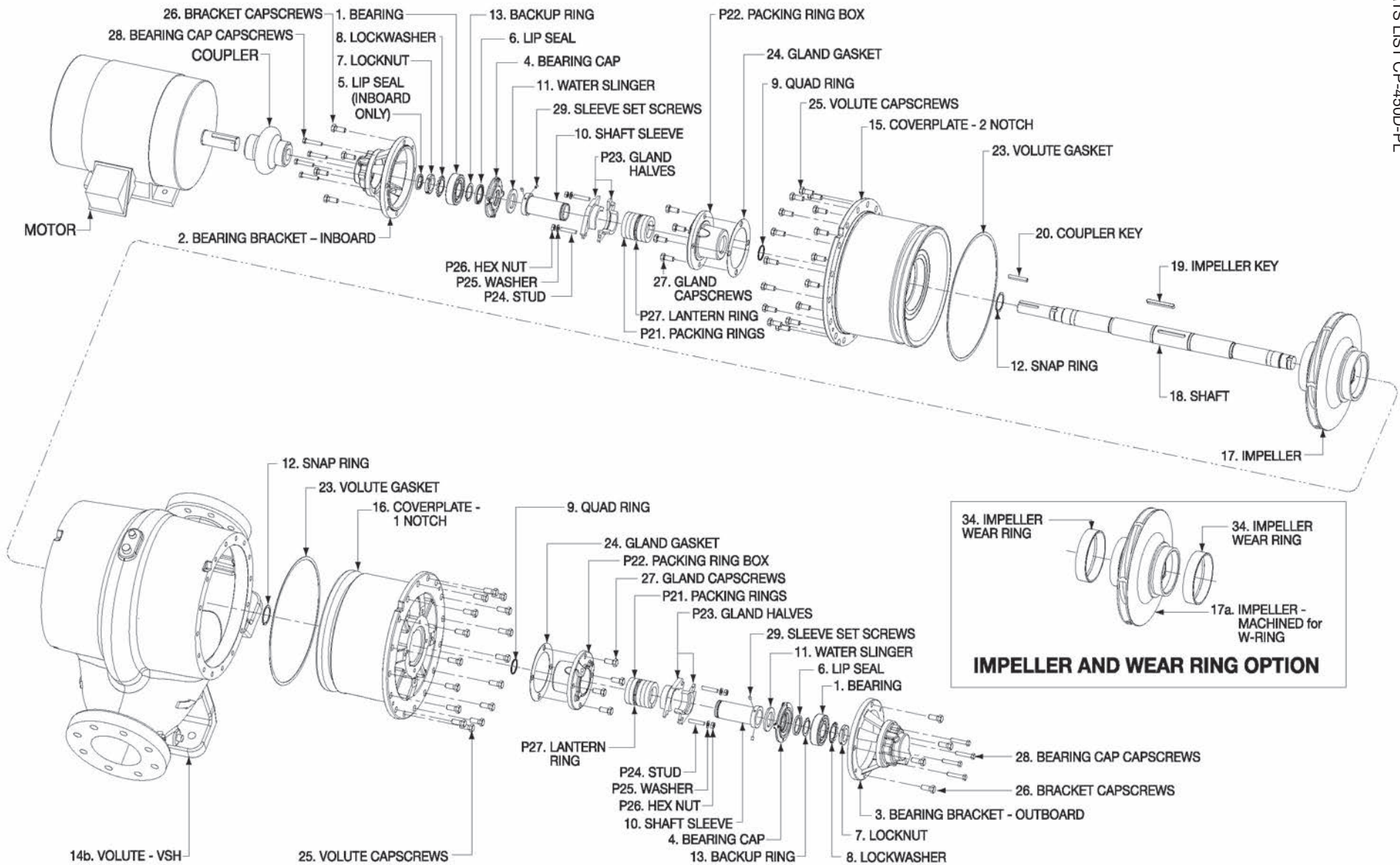
VSX PUMP BODY

SHOWING - VSC, VSH & VSCS CONSTRUCTION

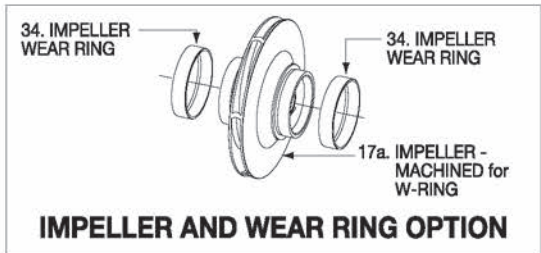
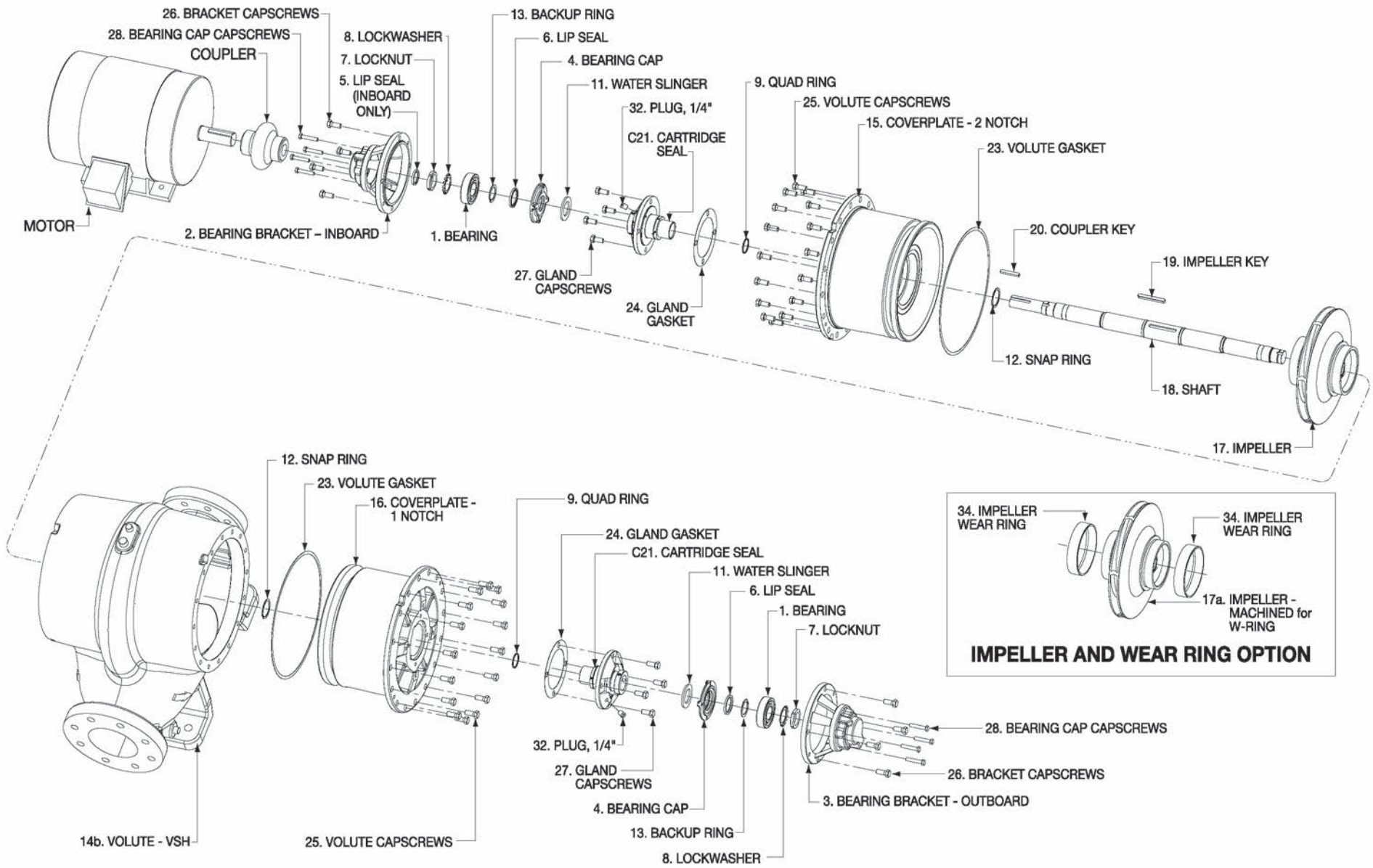


VSX PUMP INTERNALS

SHOWING MECHANICAL SEAL CONSTRUCTION



VSX PUMP INTERNALS SHOWING PACKING CONSTRUCTION



VSX PUMP INTERNALS

SHOWING BALANCED CARTRIDGE SEAL CONSTRUCTION

VSX - 4x6x10.5A

ITEM NO.	DESCRIPTION	QTY	PART NUMBER		
VOLUTE - VSX					
			STANDARD	250 FLANGE RATING	16BAR
14a	VOLUTE - VSC	1	P5001387	P5001389	P5001388
14b	VOLUTE - VSH	1	P5001045	P5001047	P5001046
14c	VOLUTE - VSCS	1	P5001393	P5001395	P5001394
COMMON VOLUTE PARTS					
23	VOLUTE GASKET	2		P5001025	
15	COVERPLATE, 2 NOTCH	1		P5001051	
16	COVERPLATE, 1 NOTCH	1		P5001053	
25	VOLUTE CAPSCREW	32		P5001032	
30	PLUG SQUARE HEAD STEEL, 1/2"	3		J89453	
31	PLUG SQUARE HEAD CAST IRON, 1"	2		J89455	
32	PLUG SQUARE HEAD STEEL, 1/4"	7 [■]		P39040	
33	PLUG SQUARE HEAD STEEL, 3/4"	1		CP-711-509-006	
17	IMPELLER, BRONZE, 10.5"	1		P5001041	
18	SHAFT, 1045 STEEL	1 [▶]		P5003601	
18	SHAFT, 416 SST	1		P5001056	
19	IMPELLER KEY, 300 SRS SST	1		P5001287	
19	IMPELLER KEY, C1018 STEEL	1 [▶]		P5004252	
20	COUPLER KEY	1		P5001577	
COMMON PUMP PARTS - STANDARD CONSTRUCTION					
1	BEARING	2		P5001020	
2	BEARING BRACKET INBOARD	1		P5001016	
3	BEARING BRACKET OUTBOARD	1		P5001017	
26	BRACKET CAPSCREW	8		P5001032	
4	BEARING CAP	2		P5001019	
28	BEARING CAP CAPSCREW	8		P5001037	
5	LIP SEAL (INBOARD ONLY)	1		P5001035	
6	LIP SEAL	2		P5001034	
7	LOCKNUT	2		CP-819-111-208	
8	LOCKWASHER	2		CP-819-133-208	
9	QUAD RING - EPDM	2		P5001033 [□]	
10	IMPELLER SLEEVE, 304 SST	2 [◊]		P5003562	
10	SHAFT SLEEVE, 304 SST	2		P5001021 [◄]	
29	SLEEVE SET SCREW	4		P5002217 [◄]	
11	WATER SLINGER	2		P77320	
12	SNAP RING	4 [°]		P5001038	
13	BACKUP RING	2		P5001059	
	GREASE FITTING	2		P70614	
UNITIZED MECHANICAL SEAL - STANDARD CONSTRUCTION					
21	SEAL, STANDARD UNITIZED	2		P5001889 [▼]	
22	SEAL GLAND	2		P5001023	
24	GLAND GASKET	2		P5001026 [†]	
27	GLAND CAPSCREW	8		CP-611-271-545 [†]	
PACKING CONSTRUCTION					
P21	PACKING RING, STD MATERIAL	10		P5001581	
P22	PACKING RING BOX	2		P5001030	
P23	GLAND HALF PACKING, 304 SST	4		P5001031	
P24	STUD, SST 3/8"	4		P5002400	
P25	WASHER, SST 3/8"	4		J91649	
P26	HEX NUT, SST 3/8"	4		J91659	
P27	LANTERN RING	2		AC0803	
BALANCED CARTRIDGE SEAL CONSTRUCTION					
C21	CARTRIDGE SEAL - CHOOSE BELOW:				
	EPR/ SiC/ SiC	2		P5004349	
	VITON/ SiC/ SiC	2		P5004350	
WEAR RING OPTIONS - COVERPLATE OR IMPELLER					
35	COVERPLATE WEAR RING (W-RING)	2		P5001058	
15a	COVERPLATE, 2 NOTCH - MACHINED for W-RING	1		P5001052	
16a	COVERPLATE, 1 NOTCH - MACHINED for W-RING	1		P5001055	
34	IMPELLER WEAR RING (W-RING)	2		P5001057	
17a	IMPELLER, BRONZE - MACHINED for W-RING	1		P5001043	

- Standard for the mechanical seal and balanced cartridge seal construction. For packing construction - only 4 plugs, 1/4" are required
- Used with standard Unitized EPR/Carbon/SiC seal. When seal other than standard is selected, see page 47 for proper quad ring selection
- ◄ Not used on cartridge seal
- ◊ QTY=2 for packing and cartridge seal
- ▼ See page 47 for optional mechanical seal selection
- † Also used on packing and cartridge seal construction
- ▶ Pumps manufactured after Jan 2010 (Date Code A01) come standard with steel shafts and impeller keys

Factory Recommended Spare Parts

Note: To prevent premature seal failure or possible injury, the unitized mechanical seals should not be used as an alternate or substitute for the balanced cartridge seals installed in a high suction pressure rated VSX pump.

VSX - 4x6x10.5B

ITEM NO.	DESCRIPTION	QTY	PART NUMBER		
VOLUTE - VSX					
			STANDARD	250 FLANGE RATING	16BAR
14a	VOLUTE - VSC	1	P5001387	P5001389	P5001388
14b	VOLUTE - VSH	1	P5001045	P5001047	P5001046
14c	VOLUTE - VSCS	1	P5001393	P5001395	P5001394
COMMON VOLUTE PARTS					
23	VOLUTE GASKET	2	P5001025		
15	COVERPLATE, 2 NOTCH	1	P5001051		
16	COVERPLATE, 1 NOTCH	1	P5001053		
25	VOLUTE CAPSCREW	32	P5001032		
30	PLUG SQUARE HEAD STEEL, 1/2"	3	J89453		
31	PLUG SQUARE HEAD CAST IRON, 1"	2	J89455		
32	PLUG SQUARE HEAD STEEL, 1/4"	7 [■]	P39040		
33	PLUG SQUARE HEAD STEEL, 3/4"	1	CP-711-509-006		
17	IMPELLER, BRONZE, 10.75"	1	P5002513		
18	SHAFT, 1045 STEEL	1 [▶]	P5003601		
18	SHAFT, 416 SST	1	P5001056		
19	IMPELLER KEY, C1018 STEEL	1 [▶]	P5004252		
19	IMPELLER KEY, 300 SRS SST	1	P5001287		
20	COUPLER KEY	1	P5001577		
COMMON PUMP PARTS - STANDARD CONSTRUCTION					
1	BEARING	2	P5001020		
2	BEARING BRACKET INBOARD	1	P5001016		
3	BEARING BRACKET OUTBOARD	1	P5001017		
26	BRACKET CAPSCREW	8	P5001032		
4	BEARING CAP	2	P5001019		
28	BEARING CAP CAPSCREW	8	P5001037		
5	LIP SEAL (INBOARD ONLY)	1	P5001035		
6	LIP SEAL	2	P5001034		
7	LOCKNUT	2	CP-819-111-208		
8	LOCKWASHER	2	CP-819-133-208		
9	QUAD RING - EPDM	2	P5001033 [□]		
10	IMPELLER SLEEVE, 304 SST	2 [▶]	P5003562		
10	SHAFT SLEEVE, 304 SST	2	P5001021 [◄]		
29	SLEEVE SET SCREW	4	P5002217 [◄]		
11	WATER SLINGER	2	P77320		
12	SNAP RING	4 [°]	P5001038		
13	BACKUP RING	2	P5001059		
	GREASE FITTING	2	P70614		
UNITIZED MECHANICAL SEAL - STANDARD CONSTRUCTION					
21	SEAL, STANDARD UNITIZED	2	P5001889 [▼]		
22	SEAL GLAND	2	P5001023		
24	GLAND GASKET	2	P5001026 [†]		
27	GLAND CAPSCREW	8	CP-611-271-545 [†]		
PACKING CONSTRUCTION					
P21	PACKING RING, STD MATERIAL	10	P5001581		
P22	PACKING RING BOX	2	P5001030		
P23	GLAND HALF PACKING, 304 SST	4	P5001031		
P24	STUD, SST 3/8"	4	P5002400		
P25	WASHER, SST 3/8"	4	J91649		
P26	HEX NUT, SST 3/8"	4	J91659		
P27	LANTERN RING	2	AC0803		
BALANCED CARTRIDGE SEAL CONSTRUCTION					
C21	CARTRIDGE SEAL - CHOOSE BELOW:				
	EPR/ SiC/ SiC	2	P5004349		
	VITON/ SiC/ SiC	2	P5004350		
WEAR RING OPTIONS - COVERPLATE OR IMPELLER					
35	COVERPLATE WEAR RING (W-RING)	2	P5001058		
15a	COVERPLATE, 2 NOTCH - MACHINED for W-RING	1	P5001052		
16a	COVERPLATE, 1 NOTCH - MACHINED for W-RING	1	P5001055		
34	IMPELLER WEAR RING (W-RING)	2	P5001057		
17a	IMPELLER, BRONZE - MACHINED for W-RING	1	P5002514		

- Standard for the mechanical seal and balanced cartridge seal construction. For packing construction - only 4 plugs, 1/4" are required
- Used with standard Unitized EPR/Carbon/SiC seal. When seal other than standard is selected, see page 47 for proper quad ring selection
- ◄ Not used on cartridge seal
- ◇ QTY=2 for packing and cartridge seal
- ▼ See page 47 for optional mechanical seal selection
- † Also used on packing and cartridge seal construction
- ▶ Pumps manufactured after Jan 2010 (Date Code A01) come standard with steel shafts and impeller keys

Factory Recommended Spare Parts

Note: To prevent premature seal failure or possible injury, the unitized mechanical seals should not be used as an alternate or substitute for the balanced cartridge seals installed in a high suction pressure rated VSX pump.

VSX - 4x6x13.5A

ITEM NO.	DESCRIPTION	QTY	PART NUMBER		
VOLUTE - VSX					
			STANDARD	250 FLANGE RATING	16BAR
14a	VOLUTE - VSC	1	P5001443	P5001445	P5001444
14b	VOLUTE - VSH	1	P5001437	P5001439	P5001438
14c	VOLUTE - VSCS	1	P5001449	P5001451	P5001450
COMMON VOLUTE PARTS					
23	VOLUTE GASKET	2		P5001083	
15	COVERPLATE, 2 NOTCH	1		P5001434	
16	COVERPLATE, 1 NOTCH	1		P5001431	
25	VOLUTE CAPSCREW	32		J92292	
30	PLUG SQUARE HEAD STEEL, 1/2"	3		J89453	
31	PLUG SQUARE HEAD CAST IRON, 1"	2		J89455	
32	PLUG SQUARE HEAD STEEL, 1/4"	7 [■]		P39040	
33	PLUG SQUARE HEAD STEEL, 3/4"	1		CP-711-509-006	
17	IMPELLER, BRONZE, 13.5"	1		P5001428	
18	SHAFT, 1045 STEEL	1 [▶]		P5003603	
18	SHAFT, 416 SST	1		P5001024	
19	IMPELLER KEY, C1018 STEEL	1 [▶]		P5004252	
19	IMPELLER KEY, 300 SRS SST	1		P5001287	
20	COUPLER KEY	1		P5001577	
COMMON PUMP PARTS - STANDARD CONSTRUCTION					
1	BEARING	2		P5001020	
2	BEARING BRACKET INBOARD	1		P5001016	
3	BEARING BRACKET OUTBOARD	1		P5001017	
26	BRACKET CAPSCREW	8		P5001032	
4	BEARING CAP	2		P5001019	
28	BEARING CAP CAPSCREW	8		P5001037	
5	LIP SEAL (INBOARD ONLY)	1		P5001035	
6	LIP SEAL	2		P5001034	
7	LOCKNUT	2		CP-819-111-208	
8	LOCKWASHER	2		CP-819-133-208	
9	QUAD RING - EPDM	2		P5001033 [□]	
10	IMPELLER SLEEVE, 304 SST	2 [◊]		P5003566	
10	SHAFT SLEEVE, 304 SST	2		P5001021 [◄]	
29	SLEEVE SET SCREW	4		P5002217 [◄]	
11	WATER SLINGER	2		P77320	
12	SNAP RING	4 [°]		P5001038	
13	BACKUP RING	2		P5001059	
	GREASE FITTING	2		P70614	
UNITIZED MECHANICAL SEAL - STANDARD CONSTRUCTION					
21	SEAL, STANDARD UNITIZED	2		P5001889 [▼]	
22	SEAL GLAND	2		P5001023	
24	GLAND GASKET	2		P5001026 [†]	
27	GLAND CAPSCREW	8		CP-611-271-545 [†]	
PACKING CONSTRUCTION					
P21	PACKING RING, STD MATERIAL	10		P5001581	
P22	PACKING RING BOX	2		P5001030	
P23	GLAND HALF PACKING, 304 SST	4		P5001031	
P24	STUD, SST 3/8"	4		P5002400	
P25	WASHER, SST 3/8"	4		J91649	
P26	HEX NUT, SST 3/8"	4		J91659	
P27	LANTERN RING	2		AC0803	
BALANCED CARTRIDGE SEAL CONSTRUCTION					
C21	CARTRIDGE SEAL - CHOOSE BELOW:				
	EPR/ SiC/ SiC	2		P5004349	
	VITON/ SiC/ SiC	2		P5004350	
WEAR RING OPTIONS - COVERPLATE OR IMPELLER					
35	COVERPLATE WEAR RING (W-RING)	2		P5002872	
15a	COVERPLATE, 2 NOTCH - MACHINED for W-RING	1		P5001435	
16a	COVERPLATE, 1 NOTCH - MACHINED for W-RING	1		P5001432	
34	IMPELLER WEAR RING (W-RING)	2		P5001057	
17a	IMPELLER, BRONZE - MACHINED for W-RING	1		P5001429	

- Standard for the mechanical seal and balanced cartridge seal construction. For packing construction - only 4 plugs, 1/4" are required
- Used with standard Unitized EPR/Carbon/SiC seal. When seal other than standard is selected, see page 47 for proper quad ring selection
- ◄ Not used on cartridge seal
- ◊ QTY=2 for packing and cartridge seal
- ▼ See page 47 for optional mechanical seal selection
- † Also used on packing and cartridge seal construction
- ▶ Pumps manufactured after Jan 2010 (Date Code A01) come standard with steel shafts and impeller keys

Factory Recommended Spare Parts

Note: To prevent premature seal failure or possible injury, the unitized mechanical seals should not be used as an alternate or substitute for the balanced cartridge seals installed in a high suction pressure rated VSX pump.

VSX - 4x6x17.5A

ITEM NO.	DESCRIPTION	QTY	PART NUMBER		
VOLUTE - VSX					
			STANDARD	250 FLANGE RATING	16BAR
14a	VOLUTE - VSC	1	P5002012	P5002014	P5002013
14b	VOLUTE - VSH	1	P5002006	P5002008	P5002007
14c	VOLUTE - VSCS	1	P5002018	P5002020	P5002019
COMMON VOLUTE PARTS					
23	VOLUTE GASKET	2		P5001274	
15	COVERPLATE, 2 NOTCH	1		P5002003	
16	COVERPLATE, 1 NOTCH	1		P5002000	
25	VOLUTE CAPSCREW	36		J66780	
30	PLUG SQUARE HEAD STEEL, 1/2"	3		J89453	
31	PLUG SQUARE HEAD CAST IRON, 1"	2		J89455	
32	PLUG SQUARE HEAD STEEL, 1/4"	7 [■]		P39040	
33	PLUG SQUARE HEAD STEEL, 3/4"	1		CP-711-509-006	
17	IMPELLER, BRONZE, 17.5"	1		P5001997	
18	SHAFT, 1045 STEEL	1 [▶]		P5003601	
18	SHAFT, 416 SST	1		P5001056	
19	IMPELLER KEY, C1018 STEEL	1 [▶]		P5004252	
19	IMPELLER KEY, 300 SRS SST	1		P5001287	
20	COUPLER KEY	1		P5001577	
COMMON PUMP PARTS - STANDARD CONSTRUCTION					
1	BEARING	2		P5001020	
2	BEARING BRACKET INBOARD	1		P5001016	
3	BEARING BRACKET OUTBOARD	1		P5001017	
26	BRACKET CAPSCREW	8		P5001032	
4	BEARING CAP	2		P5001019	
28	BEARING CAP CAPSCREW	8		P5001037	
5	LIP SEAL (INBOARD ONLY)	1		P5001035	
6	LIP SEAL	2		P5001034	
7	LOCKNUT	2		CP-819-111-208	
8	LOCKWASHER	2		CP-819-133-208	
9	QUAD RING - EPDM	2		P5001033 [□]	
10	IMPELLER SLEEVE, 304 SST	2 [◄]		P5003562	
10	SHAFT SLEEVE, 304 SST	2		P5001021 [◄]	
29	SLEEVE SET SCREW	4		P5002217 [◄]	
11	WATER SLINGER	2		P77320	
12	SNAP RING	4 [◊]		P5001038	
13	BACKUP RING	2		P5001059	
	GREASE FITTING	2		P70614	
UNITIZED MECHANICAL SEAL - STANDARD CONSTRUCTION					
21	SEAL, STANDARD UNITIZED	2		P5001889 [▼]	
22	SEAL GLAND	2		P5001023	
24	GLAND GASKET	2		P5001026 [†]	
27	GLAND CAPSCREW	8		CP-611-271-545 [†]	
PACKING CONSTRUCTION					
P21	PACKING RING, STD MATERIAL	10		P5001581	
P22	PACKING RING BOX	2		P5001030	
P23	GLAND HALF PACKING, 304 SST	4		P5001031	
P24	STUD, SST 3/8"	4		P5002400	
P25	WASHER, SST 3/8"	4		J91649	
P26	HEX NUT, SST 3/8"	4		J91659	
P27	LANTERN RING	2		AC0803	
BALANCED CARTRIDGE SEAL CONSTRUCTION					
C21	CARTRIDGE SEAL - CHOOSE BELOW:				
	EPR/ SiC/ SiC	2		P5004349	
	VITON/ SiC/ SiC	2		P5004350	
WEAR RING OPTIONS - COVERPLATE OR IMPELLER					
35	COVERPLATE WEAR RING (W-RING)	2		P5001058	
15a	COVERPLATE, 2 NOTCH - MACHINED for W-RING	1		P5002004	
16a	COVERPLATE, 1 NOTCH - MACHINED for W-RING	1		P5002001	
34	IMPELLER WEAR RING (W-RING)	2		P5001057	
17a	IMPELLER, BRONZE - MACHINED for W-RING	1		P5001998	

- Standard for the mechanical seal and balanced cartridge seal construction. For packing construction - only 4 plugs, 1/4" are required
- Used with standard Unitized EPR/Carbon/SiC seal. When seal other than standard is selected, see page 47 for proper quad ring selection
- ◄ Not used on cartridge seal
- ◊ QTY=2 for packing and cartridge seal
- ▼ See page 47 for optional mechanical seal selection
- † Also used on packing and cartridge seal construction
- ▶ Pumps manufactured after Jan 2010 (Date Code A01) come standard with steel shafts and impeller keys

Factory Recommended Spare Parts

Note: To prevent premature seal failure or possible injury, the unitized mechanical seals should not be used as an alternate or substitute for the balanced cartridge seals installed in a high suction pressure rated VSX pump.

VSX - 5x6x10.5A

ITEM NO.	DESCRIPTION	QTY	PART NUMBER		
VOLUTE - VSX					
			STANDARD	250 FLANGE RATING	16BAR
14a	VOLUTE - VSC	1	P5001291	P5001293	P5001292
14b	VOLUTE - VSH	1	P5001181	P5001183	P5001182
14c	VOLUTE - VSCS	1	P5001295	P5001297	P5001296
COMMON VOLUTE PARTS					
23	VOLUTE GASKET	2	P5001025		
15	COVERPLATE, 2 NOTCH	1	P5001188		
16	COVERPLATE, 1 NOTCH	1	P5001185		
25	VOLUTE CAPSCREW	32	P5001032		
30	PLUG SQUARE HEAD STEEL, 1/2"	3	J89453		
31	PLUG SQUARE HEAD CAST IRON, 1"	2	J89455		
32	PLUG SQUARE HEAD STEEL, 1/4"	7 [■]	P39040		
33	PLUG SQUARE HEAD STEEL, 3/4"	1	CP-711-509-006		
17	IMPELLER, BRONZE, 10.5"	1	P5001178		
18	SHAFT, 1045 STEEL	1 [▶]	P5003602		
18	SHAFT, 416 SST	1	P5001236		
19	IMPELLER KEY, C1018 STEEL	1 [▶]	P5003642		
19	IMPELLER KEY, 300 SRS SST	1	P5001287		
20	COUPLER KEY	1	P5001577		
COMMON PUMP PARTS - STANDARD CONSTRUCTION					
1	BEARING	2	P5001020		
2	BEARING BRACKET INBOARD	1	P5001016		
3	BEARING BRACKET OUTBOARD	1	P5001017		
26	BRACKET CAPSCREW	8	P5001032		
4	BEARING CAP	2	P5001019		
28	BEARING CAP CAPSCREW	8	P5001037		
5	LIP SEAL (INBOARD ONLY)	1	P5001035		
6	LIP SEAL	2	P5001034		
7	LOCKNUT	2	CP-819-111-208		
8	LOCKWASHER	2	CP-819-133-208		
9	QUAD RING - EPDM	2	P5001033 [□]		
10	IMPELLER SLEEVE, 304 SST	2 [▶]	P5003564		
10	SHAFT SLEEVE, 304 SST	2	P5001021 [◄]		
29	SLEEVE SET SCREW	4	P5002217 [◄]		
11	WATER SLINGER	2	P77320		
12	SNAP RING	4 [°]	P5001038		
13	BACKUP RING	2	P5001059		
	GREASE FITTING	2	P70614		
UNITIZED MECHANICAL SEAL - STANDARD CONSTRUCTION					
21	SEAL, STANDARD UNITIZED	2	P5001889 [▼]		
22	SEAL GLAND	2	P5001023		
24	GLAND GASKET	2	P5001026 [†]		
27	GLAND CAPSCREW	8	CP-611-271-545 [†]		
PACKING CONSTRUCTION					
P21	PACKING RING, STD MATERIAL	10	P5001581		
P22	PACKING RING BOX	2	P5001030		
P23	GLAND HALF PACKING, 304 SST	4	P5001031		
P24	STUD, SST 3/8"	4	P5002400		
P25	WASHER, SST 3/8"	4	J91649		
P26	HEX NUT, SST 3/8"	4	J91659		
P27	LANTERN RING	2	AC0803		
BALANCED CARTRIDGE SEAL CONSTRUCTION					
C21	CARTRIDGE SEAL - CHOOSE BELOW:				
	EPR/ SiC/ SiC	2	P5004349		
	VITON/ SiC/ SiC	2	P5004350		
WEAR RING OPTIONS - COVERPLATE OR IMPELLER					
35	COVERPLATE WEAR RING (W-RING)	2	P5001191		
15a	COVERPLATE, 2 NOTCH - MACHINED for W-RING	1	P5001189		
16a	COVERPLATE, 1 NOTCH - MACHINED for W-RING	1	P5001186		
34	IMPELLER WEAR RING (W-RING)	2	P5001190		
17a	IMPELLER, BRONZE - MACHINED for W-RING	1	P5001179		

- Standard for the mechanical seal and balanced cartridge seal construction. For packing construction - only 4 plugs, 1/4" are required
- Used with standard Unitized EPR/Carbon/SiC seal. When seal other than standard is selected, see page 47 for proper quad ring selection
- ◄ Not used on cartridge seal
- ◇ QTY=2 for packing and cartridge seal
- ▼ See page 47 for optional mechanical seal selection
- † Also used on packing and cartridge seal construction
- ▶ Pumps manufactured after Jan 2010 (Date Code A01) come standard with steel shafts and impeller keys

Factory Recommended Spare Parts

Note: To prevent premature seal failure or possible injury, the unitized mechanical seals should not be used as an alternate or substitute for the balanced cartridge seals installed in a high suction pressure rated VSX pump.

VSX - 5x6x10.5B

ITEM NO.	DESCRIPTION	QTY	PART NUMBER		
VOLUTE - VSX					
			STANDARD	250 FLANGE RATING	16BAR
14a	VOLUTE - VSC	1	P5001291	P5001293	P5001292
14b	VOLUTE - VSH	1	P5001181	P5001183	P5001182
14c	VOLUTE - VSCS	1	P5001295	P5001297	P5001296
COMMON VOLUTE PARTS					
23	VOLUTE GASKET	2	P5001025		
15	COVERPLATE, 2 NOTCH	1	P5001188		
16	COVERPLATE, 1 NOTCH	1	P5001185		
25	VOLUTE CAPSCREW	32	P5001032		
30	PLUG SQUARE HEAD STEEL, 1/2"	3	J89453		
31	PLUG SQUARE HEAD CAST IRON, 1"	2	J89455		
32	PLUG SQUARE HEAD STEEL, 1/4"	7 [■]	P39040		
33	PLUG SQUARE HEAD STEEL, 3/4"	1	CP-711-509-006		
17	IMPELLER, BRONZE, 10.5"	1	P5002506		
18	SHAFT, 1045 STEEL	1 [▶]	P5003602		
18	SHAFT, 416 SST	1	P5001236		
19	IMPELLER KEY, C1018 STEEL	1 [▶]	P5003642		
19	IMPELLER KEY, 300 SRS SST	1	P5001287		
20	COUPLER KEY	1	P5001577		
COMMON PUMP PARTS - STANDARD CONSTRUCTION					
1	BEARING	2	P5001020		
2	BEARING BRACKET INBOARD	1	P5001016		
3	BEARING BRACKET OUTBOARD	1	P5001017		
26	BRACKET CAPSCREW	8	P5001032		
4	BEARING CAP	2	P5001019		
28	BEARING CAP CAPSCREW	8	P5001037		
5	LIP SEAL (INBOARD ONLY)	1	P5001035		
6	LIP SEAL	2	P5001034		
7	LOCKNUT	2	CP-819-111-208		
8	LOCKWASHER	2	CP-819-133-208		
9	QUAD RING - EPDM	2	P5001033 [□]		
10	IMPELLER SLEEVE, 304 SST	2 [◊]	P5003564		
10	SHAFT SLEEVE, 304 SST	2	P5001021 [◄]		
29	SLEEVE SET SCREW	4	P5002217 [◄]		
11	WATER SLINGER	2	P77320		
12	SNAP RING	4 [°]	P5001038		
13	BACKUP RING	2	P5001059		
	GREASE FITTING	2	P70614		
UNITIZED MECHANICAL SEAL - STANDARD CONSTRUCTION					
21	SEAL, STANDARD UNITIZED	2	P5001889 [▼]		
22	SEAL GLAND	2	P5001023		
24	GLAND GASKET	2	P5001026 [†]		
27	GLAND CAPSCREW	8	CP-611-271-545 [†]		
PACKING CONSTRUCTION					
P21	PACKING RING, STD MATERIAL	10	P5001581		
P22	PACKING RING BOX	2	P5001030		
P23	GLAND HALF PACKING, 304 SST	4	P5001031		
P24	STUD, SST 3/8"	4	P5002400		
P25	WASHER, SST 3/8"	4	J91649		
P26	HEX NUT, SST 3/8"	4	J91659		
P27	LANTERN RING	2	AC0803		
BALANCED CARTRIDGE SEAL CONSTRUCTION					
C21	CARTRIDGE SEAL - CHOOSE BELOW:				
	EPR/ SiC/ SiC	2	P5004349		
	VITON/ SiC/ SiC	2	P5004350		
WEAR RING OPTIONS - COVERPLATE OR IMPELLER					
35	COVERPLATE WEAR RING (W-RING)	2	P5001191		
15a	COVERPLATE, 2 NOTCH - MACHINED for W-RING	1	P5001189		
16a	COVERPLATE, 1 NOTCH - MACHINED for W-RING	1	P5001186		
34	IMPELLER WEAR RING (W-RING)	2	P5001190		
17a	IMPELLER, BRONZE - MACHINED for W-RING	1	P5002507		

- Standard for the mechanical seal and balanced cartridge seal construction. For packing construction - only 4 plugs, 1/4" are required
- Used with standard Unitized EPR/Carbon/SiC seal. When seal other than standard is selected, see page 47 for proper quad ring selection
- ◄ Not used on cartridge seal
- ◊ QTY=2 for packing and cartridge seal
- ▼ See page 47 for optional mechanical seal selection
- † Also used on packing and cartridge seal construction
- ▶ Pumps manufactured after Jan 2010 (Date Code A01) come standard with steel shafts and impeller keys

Factory Recommended Spare Parts

Note: To prevent premature seal failure or possible injury, the unitized mechanical seals should not be used as an alternate or substitute for the balanced cartridge seals installed in a high suction pressure rated VSX pump.

VSX - 5x6x13.5A

ITEM NO.	DESCRIPTION	QTY	PART NUMBER		
VOLUTE - VSX					
			STANDARD	250 FLANGE RATING	16BAR
14a	VOLUTE - VSC	1	P5001299	P5001301	P5001300
14b	VOLUTE - VSH	1	P5001196	P5001198	P5001197
14c	VOLUTE - VSCS	1	P5001303	P5001305	P5001304
COMMON VOLUTE PARTS					
23	VOLUTE GASKET	2		P5001083	
15	COVERPLATE, 2 NOTCH	1		P5001203	
16	COVERPLATE, 1 NOTCH	1		P5001200	
25	VOLUTE CAPSCREW	32		J92292	
30	PLUG SQUARE HEAD STEEL, 1/2"	3		J89453	
31	PLUG SQUARE HEAD CAST IRON, 1"	2		J89455	
32	PLUG SQUARE HEAD STEEL, 1/4"	7 [■]		P39040	
33	PLUG SQUARE HEAD STEEL, 3/4"	1		CP-711-509-006	
17	IMPELLER, BRONZE, 13.5"	1		P5001193	
18	SHAFT, 1045 STEEL	1 [▶]		P5003603	
18	SHAFT, 416 SST	1		P5001024	
19	IMPELLER KEY, C1018 STEEL	1 [▶]		P5003642	
19	IMPELLER KEY, 300 SRS SST	1		P5001287	
20	COUPLER KEY	1		P5001577	
COMMON PUMP PARTS - STANDARD CONSTRUCTION					
1	BEARING	2		P5001020	
2	BEARING BRACKET INBOARD	1		P5001016	
3	BEARING BRACKET OUTBOARD	1		P5001017	
26	BRACKET CAPSCREW	8		P5001032	
4	BEARING CAP	2		P5001019	
28	BEARING CAP CAPSCREW	8		P5001037	
5	LIP SEAL (INBOARD ONLY)	1		P5001035	
6	LIP SEAL	2		P5001034	
7	LOCKNUT	2		CP-819-111-208	
8	LOCKWASHER	2		CP-819-133-208	
9	QUAD RING - EPDM	2		P5001033 [□]	
10	IMPELLER SLEEVE, 304 SST	2 [▶]		P5003566	
10	SHAFT SLEEVE, 304 SST	2		P5001021 [◄]	
29	SLEEVE SET SCREW	4		P5002217 [◄]	
11	WATER SLINGER	2		P77320	
12	SNAP RING	4 [◊]		P5001038	
13	BACKUP RING	2		P5001059	
	GREASE FITTING	2		P70614	
UNITIZED MECHANICAL SEAL - STANDARD CONSTRUCTION					
21	SEAL, STANDARD UNITIZED	2		P5001889 [▼]	
22	SEAL GLAND	2		P5001023	
24	GLAND GASKET	2		P5001026 [†]	
27	GLAND CAPSCREW	8		CP-611-271-545 [†]	
PACKING CONSTRUCTION					
P21	PACKING RING, STD MATERIAL	10		P5001581	
P22	PACKING RING BOX	2		P5001030	
P23	GLAND HALF PACKING, 304 SST	4		P5001031	
P24	STUD, SST 3/8"	4		P5002400	
P25	WASHER, SST 3/8"	4		J91649	
P26	HEX NUT, SST 3/8"	4		J91659	
P27	LANTERN RING	2		AC0803	
BALANCED CARTRIDGE SEAL CONSTRUCTION					
C21	CARTRIDGE SEAL - CHOOSE BELOW:				
	EPR/ SiC/ SiC	2		P5004349	
	VITON/ SiC/ SiC	2		P5004350	
WEAR RING OPTIONS - COVERPLATE OR IMPELLER					
35	COVERPLATE WEAR RING (W-RING)	2		P5001191	
15a	COVERPLATE, 2 NOTCH - MACHINED for W-RING	1		P5001204	
16a	COVERPLATE, 1 NOTCH - MACHINED for W-RING	1		P5001201	
34	IMPELLER WEAR RING (W-RING)	2		P5001190	
17a	IMPELLER, BRONZE - MACHINED for W-RING	1		P5001194	

- Standard for the mechanical seal and balanced cartridge seal construction. For packing construction - only 4 plugs, 1/4" are required
- Used with standard Unitized EPR/Carbon/SiC seal. When seal other than standard is selected, see page 47 for proper quad ring selection
- ◄ Not used on cartridge seal
- ◊ QTY=2 for packing and cartridge seal
- ▼ See page 47 for optional mechanical seal selection
- † Also used on packing and cartridge seal construction
- ▶ Pumps manufactured after Jan 2010 (Date Code A01) come standard with steel shafts and impeller keys

Factory Recommended Spare Parts

Note: To prevent premature seal failure or possible injury, the unitized mechanical seals should not be used as an alternate or substitute for the balanced cartridge seals installed in a high suction pressure rated VSX pump.

VSX - 5x6x13.5B

ITEM NO.	DESCRIPTION	QTY	PART NUMBER		
VOLUTE - VSX					
			STANDARD	250 FLANGE RATING	16BAR
14a	VOLUTE - VSC	1	P5001299	P5001301	P5001300
14b	VOLUTE - VSH	1	P5001196	P5001198	P5001197
14c	VOLUTE - VSCS	1	P5001303	P5001305	P5001304
COMMON VOLUTE PARTS					
23	VOLUTE GASKET	2		P5001083	
15	COVERPLATE, 2 NOTCH	1		P5001203	
16	COVERPLATE, 1 NOTCH	1		P5001200	
25	VOLUTE CAPSCREW	32		J92292	
30	PLUG SQUARE HEAD STEEL, 1/2"	3		J89453	
31	PLUG SQUARE HEAD CAST IRON, 1"	2		J89455	
32	PLUG SQUARE HEAD STEEL, 1/4"	7 [■]		P39040	
33	PLUG SQUARE HEAD STEEL, 3/4"	1		CP-711-509-006	
17	IMPELLER, BRONZE, 13.5"	1		P5002558	
18	SHAFT, 1045 STEEL	1 [▶]		P5003603	
18	SHAFT, 416 SST	1		P5001024	
19	IMPELLER KEY, C1018 STEEL	1 [▶]		P5003642	
19	IMPELLER KEY, 300 SRS SST	1		P5001287	
20	COUPLER KEY	1		P5001577	
COMMON PUMP PARTS - STANDARD CONSTRUCTION					
1	BEARING	2		P5001020	
2	BEARING BRACKET INBOARD	1		P5001016	
3	BEARING BRACKET OUTBOARD	1		P5001017	
26	BRACKET CAPSCREW	8		P5001032	
4	BEARING CAP	2		P5001019	
28	BEARING CAP CAPSCREW	8		P5001037	
5	LIP SEAL (INBOARD ONLY)	1		P5001035	
6	LIP SEAL	2		P5001034	
7	LOCKNUT	2		CP-819-111-208	
8	LOCKWASHER	2		CP-819-133-208	
9	QUAD RING - EPDM	2		P5001033 [□]	
10	IMPELLER SLEEVE, 304 SST	2 [▶]		P5003566	
10	SHAFT SLEEVE, 304 SST	2		P5001021 [◄]	
29	SLEEVE SET SCREW	4		P5002217 [◄]	
11	WATER SLINGER	2		P77320	
12	SNAP RING	4 [◊]		P5001038	
13	BACKUP RING	2		P5001059	
	GREASE FITTING	2		P70614	
UNITIZED MECHANICAL SEAL - STANDARD CONSTRUCTION					
21	SEAL, STANDARD UNITIZED	2		P5001889 [▼]	
22	SEAL GLAND	2		P5001023	
24	GLAND GASKET	2		P5001026 [†]	
27	GLAND CAPSCREW	8		CP-611-271-545 [†]	
PACKING CONSTRUCTION					
P21	PACKING RING, STD MATERIAL	10		P5001581	
P22	PACKING RING BOX	2		P5001030	
P23	GLAND HALF PACKING, 304 SST	4		P5001031	
P24	STUD, SST 3/8"	4		P5002400	
P25	WASHER, SST 3/8"	4		J91649	
P26	HEX NUT, SST 3/8"	4		J91659	
P27	LANTERN RING	2		AC0803	
BALANCED CARTRIDGE SEAL CONSTRUCTION					
C21	CARTRIDGE SEAL - CHOOSE BELOW:				
	EPR/ SiC/ SiC	2		P5004349	
	VITON/ SiC/ SiC	2		P5004350	
WEAR RING OPTIONS - COVERPLATE OR IMPELLER					
35	COVERPLATE WEAR RING (W-RING)	2		P5001191	
15a	COVERPLATE, 2 NOTCH - MACHINED for W-RING	1		P5001204	
16a	COVERPLATE, 1 NOTCH - MACHINED for W-RING	1		P5001201	
34	IMPELLER WEAR RING (W-RING)	2		P5001190	
17a	IMPELLER, BRONZE - MACHINED for W-RING	1		P5002559	

- Standard for the mechanical seal and balanced cartridge seal construction. For packing construction - only 4 plugs, 1/4" are required
- Used with standard Unitized EPR/Carbon/SiC seal. When seal other than standard is selected, see page 47 for proper quad ring selection
- ◄ Not used on cartridge seal
- ◊ QTY=2 for packing and cartridge seal
- ▼ See page 47 for optional mechanical seal selection
- † Also used on packing and cartridge seal construction
- ▶ Pumps manufactured after Jan 2010 (Date Code A01) come standard with steel shafts and impeller keys

Factory Recommended Spare Parts

Note: To prevent premature seal failure or possible injury, the unitized mechanical seals should not be used as an alternate or substitute for the balanced cartridge seals installed in a high suction pressure rated VSX pump.

VSX - 5x6x17.5A

ITEM NO.	DESCRIPTION	QTY	PART NUMBER		
VOLUTE - VSX					
			STANDARD	250 FLANGE RATING	16BAR
14a	VOLUTE - VSC	1	P5001516	P5001518	P5001517
14b	VOLUTE - VSH	1	P5001512	P5001514	P5001513
14c	VOLUTE - VSCS	1	P5001520	P5001522	P5001521
COMMON VOLUTE PARTS					
23	VOLUTE GASKET	2		P5001274	
15	COVERPLATE, 2 NOTCH	1		P5001509	
16	COVERPLATE, 1 NOTCH	1		P5001506	
25	VOLUTE CAPSCREW	36		DJ0617	
30	PLUG SQUARE HEAD STEEL, 1/2"	3		J89453	
31	PLUG SQUARE HEAD CAST IRON, 1"	2		J89455	
32	PLUG SQUARE HEAD STEEL, 1/4"	7 [■]		P39040	
33	PLUG SQUARE HEAD STEEL, 3/4"	1		CP-711-509-006	
17	IMPELLER, BRONZE, 17.5"	1		P5001503	
18	SHAFT, 1045 STEEL	1 [▶]		P5003603	
18	SHAFT, 416 SST	1		P5001024	
19	IMPELLER KEY, C1018 STEEL	1 [▶]		P5003642	
19	IMPELLER KEY, 300 SRS SST	1		P5001287	
20	COUPLER KEY	1		P5001577	
COMMON PUMP PARTS - STANDARD CONSTRUCTION					
1	BEARING	2		P5001020	
2	BEARING BRACKET INBOARD	1		P5001016	
3	BEARING BRACKET OUTBOARD	1		P5001017	
26	BRACKET CAPSCREW	8		P5001032	
4	BEARING CAP	2		P5001019	
28	BEARING CAP CAPSCREW	8		P5001037	
5	LIP SEAL (INBOARD ONLY)	1		P5001035	
6	LIP SEAL	2		P5001034	
7	LOCKNUT	2		CP-819-111-208	
8	LOCKWASHER	2		CP-819-133-208	
9	QUAD RING - EPDM	2		P5001033 [□]	
10	IMPELLER SLEEVE, 304 SST	2 [▶]		P5003566	
10	SHAFT SLEEVE, 304 SST	2		P5001021 [◄]	
29	SLEEVE SET SCREW	4		P5002217 [◄]	
11	WATER SLINGER	2		P77320	
12	SNAP RING	4 [◊]		P5001038	
13	BACKUP RING	2		P5001059	
	GREASE FITTING	2		P70614	
UNITIZED MECHANICAL SEAL - STANDARD CONSTRUCTION					
21	SEAL, STANDARD UNITIZED	2		P5001889 [▼]	
22	SEAL GLAND	2		P5001023	
24	GLAND GASKET	2		P5001026 [†]	
27	GLAND CAPSCREW	8		CP-611-271-545 [†]	
PACKING CONSTRUCTION					
P21	PACKING RING, STD MATERIAL	10		P5001581	
P22	PACKING RING BOX	2		P5001030	
P23	GLAND HALF PACKING, 304 SST	4		P5001031	
P24	STUD, SST 3/8"	4		P5002400	
P25	WASHER, SST 3/8"	4		J91649	
P26	HEX NUT, SST 3/8"	4		J91659	
P27	LANTERN RING	2		AC0803	
BALANCED CARTRIDGE SEAL CONSTRUCTION					
C21	CARTRIDGE SEAL - CHOOSE BELOW:				
	EPR/ SiC/ SiC	2		P5004349	
	VITON/ SiC/ SiC	2		P5004350	
WEAR RING OPTIONS - COVERPLATE OR IMPELLER					
35	COVERPLATE WEAR RING (W-RING)	2		P5001191	
15a	COVERPLATE, 2 NOTCH - MACHINED for W-RING	1		P5001510	
16a	COVERPLATE, 1 NOTCH - MACHINED for W-RING	1		P5001507	
34	IMPELLER WEAR RING (W-RING)	2		P5001190	
17a	IMPELLER, BRONZE - MACHINED for W-RING	1		P5001504	

- Standard for the mechanical seal and balanced cartridge seal construction. For packing construction - only 4 plugs, 1/4" are required
- Used with standard Unitized EPR/Carbon/SiC seal. When seal other than standard is selected, see page 47 for proper quad ring selection
- ◄ Not used on cartridge seal
- ◊ QTY=2 for packing and cartridge seal
- ▼ See page 47 for optional mechanical seal selection
- † Also used on packing and cartridge seal construction
- ▶ Pumps manufactured after Jan 2010 (Date Code A01) come standard with steel shafts and impeller keys

Factory Recommended Spare Parts

Note: To prevent premature seal failure or possible injury, the unitized mechanical seals should not be used as an alternate or substitute for the balanced cartridge seals installed in a high suction pressure rated VSX pump.

VSX - 6x8x10.5A

ITEM NO.	DESCRIPTION	QTY	PART NUMBER		
VOLUTE - VSX					
			STANDARD	250 FLANGE RATING	16BAR
14a	VOLUTE - VSC	1	P5001319	P5001321	P5001320
14b	VOLUTE - VSH	1	P5001134	P5001136	P5001135
14c	VOLUTE - VSCS	1	P5001325	P5001327	P5001326
COMMON VOLUTE PARTS					
23	VOLUTE GASKET	2	P5001025		
15	COVERPLATE, 2 NOTCH	1	P5001143		
16	COVERPLATE, 1 NOTCH	1	P5001140		
25	VOLUTE CAPSCREW	32	P5001032		
30	PLUG SQUARE HEAD STEEL, 1/2"	3	J89453		
31	PLUG SQUARE HEAD CAST IRON, 1"	2	J89455		
32	PLUG SQUARE HEAD STEEL, 1/4"	7 [■]	P39040		
33	PLUG SQUARE HEAD STEEL, 3/4"	1	CP-711-509-006		
17	IMPELLER, BRONZE, 10.5"	1	P5001131		
18	SHAFT, 1045 STEEL	1 [▶]	P5003603		
18	SHAFT, 416 SST	1	P5001024		
19	IMPELLER KEY, C1018 STEEL	1 [▶]	P5003642		
19	IMPELLER KEY, 300 SRS SST	1	P5001287		
20	COUPLER KEY	1	P5001577		
COMMON PUMP PARTS - STANDARD CONSTRUCTION					
1	BEARING	2	P5001020		
2	BEARING BRACKET INBOARD	1	P5001016		
3	BEARING BRACKET OUTBOARD	1	P5001017		
26	BRACKET CAPSCREW	8	P5001032		
4	BEARING CAP	2	P5001019		
28	BEARING CAP CAPSCREW	8	P5001037		
5	LIP SEAL (INBOARD ONLY)	1	P5001035		
6	LIP SEAL	2	P5001034		
7	LOCKNUT	2	CP-819-111-208		
8	LOCKWASHER	2	CP-819-133-208		
9	QUAD RING - EPDM	2	P5001033 [□]		
10	IMPELLER SLEEVE, 304 SST	2 [▶]	P5003566		
10	SHAFT SLEEVE, 304 SST	2	P5001021 [◄]		
29	SLEEVE SET SCREW	4	P5002217 [◄]		
11	WATER SLINGER	2	P77320		
12	SNAP RING	4 [◊]	P5001038		
13	BACKUP RING	2	P5001059		
	GREASE FITTING	2	P70614		
UNITIZED MECHANICAL SEAL - STANDARD CONSTRUCTION					
21	SEAL, STANDARD UNITIZED	2	P5001889 [▼]		
22	SEAL GLAND	2	P5001023		
24	GLAND GASKET	2	P5001026 [†]		
27	GLAND CAPSCREW	8	CP-611-271-545 [†]		
PACKING CONSTRUCTION					
P21	PACKING RING, STD MATERIAL	10	P5001581		
P22	PACKING RING BOX	2	P5001030		
P23	GLAND HALF PACKING, 304 SST	4	P5001031		
P24	STUD, SST 3/8"	4	P5002400		
P25	WASHER, SST 3/8"	4	J91649		
P26	HEX NUT, SST 3/8"	4	J91659		
P27	LANTERN RING	2	AC0803		
BALANCED CARTRIDGE SEAL CONSTRUCTION					
C21	CARTRIDGE SEAL - CHOOSE BELOW:				
	EPR/ SiC/ SiC	2	P5004349		
	VITON/ SiC/ SiC	2	P5004350		
WEAR RING OPTIONS - COVERPLATE OR IMPELLER					
35	COVERPLATE WEAR RING (W-RING)	2	P5001146		
15a	COVERPLATE, 2 NOTCH - MACHINED for W-RING	1	P5001144		
16a	COVERPLATE, 1 NOTCH - MACHINED for W-RING	1	P5001141		
34	IMPELLER WEAR RING (W-RING)	2	P5001145		
17a	IMPELLER, BRONZE - MACHINED for W-RING	1	P5001132		

- Standard for the mechanical seal and balanced cartridge seal construction. For packing construction - only 4 plugs, 1/4" are required
- Used with standard Unitized EPR/Carbon/SiC seal. When seal other than standard is selected, see page 47 for proper quad ring selection
- ◄ Not used on cartridge seal
- ◊ QTY=2 for packing and cartridge seal
- ▼ See page 47 for optional mechanical seal selection
- † Also used on packing and cartridge seal construction
- ▶ Pumps manufactured after Jan 2010 (Date Code A01) come standard with steel shafts and impeller keys

Factory Recommended Spare Parts

Note: To prevent premature seal failure or possible injury, the unitized mechanical seals should not be used as an alternate or substitute for the balanced cartridge seals installed in a high suction pressure rated VSX pump.

VSX - 6x8x10.5B

ITEM NO.	DESCRIPTION	QTY	PART NUMBER		
VOLUTE - VSX					
			STANDARD	250 FLANGE RATING	16BAR
14a	VOLUTE - VSC	1	P5001319	P5001321	P5001320
14b	VOLUTE - VSH	1	P5001134	P5001136	P5001135
14c	VOLUTE - VSCS	1	P5001325	P5001327	P5001326
COMMON VOLUTE PARTS					
23	VOLUTE GASKET	2	P5001025		
15	COVERPLATE, 2 NOTCH	1	P5001143		
16	COVERPLATE, 1 NOTCH	1	P5001140		
25	VOLUTE CAPSCREW	32	P5001032		
30	PLUG SQUARE HEAD STEEL, 1/2"	3	J89453		
31	PLUG SQUARE HEAD CAST IRON, 1"	2	J89455		
32	PLUG SQUARE HEAD STEEL, 1/4"	7 [■]	P39040		
33	PLUG SQUARE HEAD STEEL, 3/4"	1	CP-711-509-006		
17	IMPELLER, BRONZE, 10.5"	1	P5002555		
18	SHAFT, 1045 STEEL	1 [▶]	P5003603		
18	SHAFT, 416 SST	1	P5001024		
19	IMPELLER KEY, C1018 STEEL	1 [▶]	P5003642		
19	IMPELLER KEY, 300 SRS SST	1	P5001287		
20	COUPLER KEY	1	P5001577		
COMMON PUMP PARTS - STANDARD CONSTRUCTION					
1	BEARING	2	P5001020		
2	BEARING BRACKET INBOARD	1	P5001016		
3	BEARING BRACKET OUTBOARD	1	P5001017		
26	BRACKET CAPSCREW	8	P5001032		
4	BEARING CAP	2	P5001019		
28	BEARING CAP CAPSCREW	8	P5001037		
5	LIP SEAL (INBOARD ONLY)	1	P5001035		
6	LIP SEAL	2	P5001034		
7	LOCKNUT	2	CP-819-111-208		
8	LOCKWASHER	2	CP-819-133-208		
9	QUAD RING - EPDM	2	P5001033 [□]		
10	IMPELLER SLEEVE, 304 SST	2 [▶]	P5003566		
10	SHAFT SLEEVE, 304 SST	2	P5001021 [◄]		
29	SLEEVE SET SCREW	4	P5002217 [◄]		
11	WATER SLINGER	2	P77320		
12	SNAP RING	4 [°]	P5001038		
13	BACKUP RING	2	P5001059		
	GREASE FITTING	2	P70614		
UNITIZED MECHANICAL SEAL - STANDARD CONSTRUCTION					
21	SEAL, STANDARD UNITIZED	2	P5001889 [▼]		
22	SEAL GLAND	2	P5001023		
24	GLAND GASKET	2	P5001026 [†]		
27	GLAND CAPSCREW	8	CP-611-271-545 [†]		
PACKING CONSTRUCTION					
P21	PACKING RING, STD MATERIAL	10	P5001581		
P22	PACKING RING BOX	2	P5001030		
P23	GLAND HALF PACKING, 304 SST	4	P5001031		
P24	STUD, SST 3/8"	4	P5002400		
P25	WASHER, SST 3/8"	4	J91649		
P26	HEX NUT, SST 3/8"	4	J91659		
P27	LANTERN RING	2	AC0803		
BALANCED CARTRIDGE SEAL CONSTRUCTION					
C21	CARTRIDGE SEAL - CHOOSE BELOW:				
	EPR/ SiC/ SiC	2	P5004349		
	VITON/ SiC/ SiC	2	P5004350		
WEAR RING OPTIONS - COVERPLATE OR IMPELLER					
35	COVERPLATE WEAR RING (W-RING)	2	P5001146		
15a	COVERPLATE, 2 NOTCH - MACHINED for W-RING	1	P5001144		
16a	COVERPLATE, 1 NOTCH - MACHINED for W-RING	1	P5001141		
34	IMPELLER WEAR RING (W-RING)	2	P5001145		
17a	IMPELLER, BRONZE - MACHINED for W-RING	1	P5002556		

- Standard for the mechanical seal and balanced cartridge seal construction. For packing construction - only 4 plugs, 1/4" are required
- Used with standard Unitized EPR/Carbon/SiC seal. When seal other than standard is selected, see page 47 for proper quad ring selection
- ◄ Not used on cartridge seal
- ◇ QTY=2 for packing and cartridge seal
- ▼ See page 47 for optional mechanical seal selection
- † Also used on packing and cartridge seal construction
- ▶ Pumps manufactured after Jan 2010 (Date Code A01) come standard with steel shafts and impeller keys

Factory Recommended Spare Parts

Note: To prevent premature seal failure or possible injury, the unitized mechanical seals should not be used as an alternate or substitute for the balanced cartridge seals installed in a high suction pressure rated VSX pump.

VSX - 6x8x13.5A

ITEM NO.	DESCRIPTION	QTY	PART NUMBER		
VOLUTE - VSX					
			STANDARD	250 FLANGE RATING	16BAR
14a	VOLUTE - VSC	1	P5001307	P5001309	P5001308
14b	VOLUTE - VSH	1	P5001118	P5001120	P5001119
14c	VOLUTE - VSCS	1	P5001313	P5001315	P5001314
COMMON VOLUTE PARTS					
23	VOLUTE GASKET	2		P5001083	
15	COVERPLATE, 2 NOTCH	1		P5001127	
16	COVERPLATE, 1 NOTCH	1		P5001124	
25	VOLUTE CAPSCREW	32		J92292	
30	PLUG SQUARE HEAD STEEL, 1/2"	3		J89453	
31	PLUG SQUARE HEAD CAST IRON, 1"	2		J89455	
32	PLUG SQUARE HEAD STEEL, 1/4"	7 [■]		P39040	
33	PLUG SQUARE HEAD STEEL, 3/4"	1		CP-711-509-006	
17	IMPELLER, BRONZE, 13.5"	1		P5001115	
18	SHAFT, 1045 STEEL	1 [▶]		P5003603	
18	SHAFT, 416 SST	1		P5001024	
19	IMPELLER KEY, C1018 STEEL	1 [▶]		P5003642	
19	IMPELLER KEY, 300 SRS SST	1		P5001287	
20	COUPLER KEY	1		P5001577	
COMMON PUMP PARTS - STANDARD CONSTRUCTION					
1	BEARING	2		P5001020	
2	BEARING BRACKET INBOARD	1		P5001016	
3	BEARING BRACKET OUTBOARD	1		P5001017	
26	BRACKET CAPSCREW	8		P5001032	
4	BEARING CAP	2		P5001019	
28	BEARING CAP CAPSCREW	8		P5001037	
5	LIP SEAL (INBOARD ONLY)	1		P5001035	
6	LIP SEAL	2		P5001034	
7	LOCKNUT	2		CP-819-111-208	
8	LOCKWASHER	2		CP-819-133-208	
9	QUAD RING - EPDM	2		P5001033 [□]	
10	IMPELLER SLEEVE, 304 SST	2 [▶]		P5003566	
10	SHAFT SLEEVE, 304 SST	2		P5001021 [◄]	
29	SLEEVE SET SCREW	4		P5002217 [◄]	
11	WATER SLINGER	2		P77320	
12	SNAP RING	4 [◊]		P5001038	
13	BACKUP RING	2		P5001059	
	GREASE FITTING	2		P70614	
UNITIZED MECHANICAL SEAL - STANDARD CONSTRUCTION					
21	SEAL, STANDARD UNITIZED	2		P5001889 [▼]	
22	SEAL GLAND	2		P5001023	
24	GLAND GASKET	2		P5001026 [†]	
27	GLAND CAPSCREW	8		CP-611-271-545 [†]	
PACKING CONSTRUCTION					
P21	PACKING RING, STD MATERIAL	10		P5001581	
P22	PACKING RING BOX	2		P5001030	
P23	GLAND HALF PACKING, 304 SST	4		P5001031	
P24	STUD, SST 3/8"	4		P5002400	
P25	WASHER, SST 3/8"	4		J91649	
P26	HEX NUT, SST 3/8"	4		J91659	
P27	LANTERN RING	2		AC0803	
BALANCED CARTRIDGE SEAL CONSTRUCTION					
C21	CARTRIDGE SEAL - CHOOSE BELOW:				
	EPR/ SiC/ SiC	2		P5004349	
	VITON/ SiC/ SiC	2		P5004350	
WEAR RING OPTIONS - COVERPLATE OR IMPELLER					
35	COVERPLATE WEAR RING (W-RING)	2		P5001235	
15a	COVERPLATE, 2 NOTCH - MACHINED for W-RING	1		P5001128	
16a	COVERPLATE, 1 NOTCH - MACHINED for W-RING	1		P5001125	
34	IMPELLER WEAR RING (W-RING)	2		P5001129	
17a	IMPELLER, BRONZE - MACHINED for W-RING	1		P5001116	

- Standard for the mechanical seal and balanced cartridge seal construction. For packing construction - only 4 plugs, 1/4" are required
- Used with standard Unitized EPR/Carbon/SiC seal. When seal other than standard is selected, see page 47 for proper quad ring selection
- ◄ Not used on cartridge seal
- ◊ QTY=2 for packing and cartridge seal
- ▼ See page 47 for optional mechanical seal selection
- † Also used on packing and cartridge seal construction
- ▶ Pumps manufactured after Jan 2010 (Date Code A01) come standard with steel shafts and impeller keys

Factory Recommended Spare Parts

Note: To prevent premature seal failure or possible injury, the unitized mechanical seals should not be used as an alternate or substitute for the balanced cartridge seals installed in a high suction pressure rated VSX pump.

VSX - 6x8x13.5B

ITEM NO.	DESCRIPTION	QTY	PART NUMBER		
VOLUTE - VSX					
			STANDARD	250 FLANGE RATING	16BAR
14a	VOLUTE - VSC	1	P5001307	P5001309	P5001308
14b	VOLUTE - VSH	1	P5001118	P5001120	P5001119
14c	VOLUTE - VSCS	1	P5001313	P5001315	P5001314
COMMON VOLUTE PARTS					
23	VOLUTE GASKET	2	P5001083		
15	COVERPLATE, 2 NOTCH	1	P5001127		
16	COVERPLATE, 1 NOTCH	1	P5001124		
25	VOLUTE CAPSCREW	32	J92292		
30	PLUG SQUARE HEAD STEEL, 1/2"	3	J89453		
31	PLUG SQUARE HEAD CAST IRON, 1"	2	J89455		
32	PLUG SQUARE HEAD STEEL, 1/4"	7 [■]	P39040		
33	PLUG SQUARE HEAD STEEL, 3/4"	1	CP-711-509-006		
17	IMPELLER, BRONZE, 13.5"	1	P5002561		
18	SHAFT, 1045 STEEL	1 [▶]	P5003603		
18	SHAFT, 416 SST	1	P5001024		
19	IMPELLER KEY, C1018 STEEL	1 [▶]	P5003642		
19	IMPELLER KEY, 300 SRS SST	1	P5001287		
20	COUPLER KEY	1	P5001577		
COMMON PUMP PARTS - STANDARD CONSTRUCTION					
1	BEARING	2	P5001020		
2	BEARING BRACKET INBOARD	1	P5001016		
3	BEARING BRACKET OUTBOARD	1	P5001017		
26	BRACKET CAPSCREW	8	P5001032		
4	BEARING CAP	2	P5001019		
28	BEARING CAP CAPSCREW	8	P5001037		
5	LIP SEAL (INBOARD ONLY)	1	P5001035		
6	LIP SEAL	2	P5001034		
7	LOCKNUT	2	CP-819-111-208		
8	LOCKWASHER	2	CP-819-133-208		
9	QUAD RING - EPDM	2	P5001033 [□]		
10	IMPELLER SLEEVE, 304 SST	2 [▶]	P5003566		
10	SHAFT SLEEVE, 304 SST	2	P5001021 [◄]		
29	SLEEVE SET SCREW	4	P5002217 [◄]		
11	WATER SLINGER	2	P77320		
12	SNAP RING	4 [◊]	P5001038		
13	BACKUP RING	2	P5001059		
	GREASE FITTING	2	P70614		
UNITIZED MECHANICAL SEAL - STANDARD CONSTRUCTION					
21	SEAL, STANDARD UNITIZED	2	P5001889 [▼]		
22	SEAL GLAND	2	P5001023		
24	GLAND GASKET	2	P5001026 [†]		
27	GLAND CAPSCREW	8	CP-611-271-545 [†]		
PACKING CONSTRUCTION					
P21	PACKING RING, STD MATERIAL	10	P5001581		
P22	PACKING RING BOX	2	P5001030		
P23	GLAND HALF PACKING, 304 SST	4	P5001031		
P24	STUD, SST 3/8"	4	P5002400		
P25	WASHER, SST 3/8"	4	J91649		
P26	HEX NUT, SST 3/8"	4	J91659		
P27	LANTERN RING	2	AC0803		
BALANCED CARTRIDGE SEAL CONSTRUCTION					
C21	CARTRIDGE SEAL - CHOOSE BELOW:				
	EPR/ SiC/ SiC	2	P5004349		
	VITON/ SiC/ SiC	2	P5004350		
WEAR RING OPTIONS - COVERPLATE OR IMPELLER					
35	COVERPLATE WEAR RING (W-RING)	2	P5001235		
15a	COVERPLATE, 2 NOTCH - MACHINED for W-RING	1	P5001128		
16a	COVERPLATE, 1 NOTCH - MACHINED for W-RING	1	P5001125		
34	IMPELLER WEAR RING (W-RING)	2	P5001129		
17a	IMPELLER, BRONZE - MACHINED for W-RING	1	P5002562		

- Standard for the mechanical seal and balanced cartridge seal construction. For packing construction - only 4 plugs, 1/4" are required
- Used with standard Unitized EPR/Carbon/SiC seal. When seal other than standard is selected, see page 47 for proper quad ring selection
- ◄ Not used on cartridge seal
- ◊ QTY=2 for packing and cartridge seal
- ▼ See page 47 for optional mechanical seal selection
- † Also used on packing and cartridge seal construction
- ▶ Pumps manufactured after Jan 2010 (Date Code A01) come standard with steel shafts and impeller keys

Factory Recommended Spare Parts

Note: To prevent premature seal failure or possible injury, the unitized mechanical seals should not be used as an alternate or substitute for the balanced cartridge seals installed in a high suction pressure rated VSX pump.

VSX - 6x8x17.5A

ITEM NO.	DESCRIPTION	QTY	PART NUMBER		
VOLUTE - VSX					
			STANDARD	250 FLANGE RATING	16BAR
14a	VOLUTE - VSC	1	P5001491	P5001493	P5001492
14b	VOLUTE - VSH	1	P5001485	P5001487	P5001486
14c	VOLUTE - VSCS	1	P5001497	P5001499	P5001498
COMMON VOLUTE PARTS					
23	VOLUTE GASKET	2		P5001274	
15	COVERPLATE, 2 NOTCH	1		P5001482	
16	COVERPLATE, 1 NOTCH	1		P5001479	
25	VOLUTE CAPSCREW	36		J66780	
30	PLUG SQUARE HEAD STEEL, 1/2"	3		J89453	
31	PLUG SQUARE HEAD CAST IRON, 1"	2		J89455	
32	PLUG SQUARE HEAD STEEL, 1/4"	7 [■]		P39040	
33	PLUG SQUARE HEAD STEEL, 3/4"	1		CP-711-509-006	
17	IMPELLER, BRONZE, 17.5"	1		P5001476	
18	SHAFT, 1045 STEEL	1 [▶]		P5003604	
18	SHAFT, 416 SST	1		P5001790	
19	IMPELLER KEY, C1018 STEEL	1 [▶]		P5003643	
19	IMPELLER KEY, 300 SRS SST	1		P5001288	
20	COUPLER KEY	1		P5001578	
COMMON PUMP PARTS - STANDARD CONSTRUCTION					
1	BEARING	2		P5001078	
2	BEARING BRACKET INBOARD	1		P5001074	
3	BEARING BRACKET OUTBOARD	1		P5001075	
26	BRACKET CAPSCREW	8		P5001032	
4	BEARING CAP	2		P5001077	
28	BEARING CAP CAPSCREW	8		P5001037	
5	LIP SEAL (INBOARD ONLY)	1		P5001092	
6	LIP SEAL	2		P5001091	
7	LOCKNUT	2		CP-819-111-209	
8	LOCKWASHER	2		CP-819-133-209	
9	QUAD RING - EPDM	2		P5001090 [□]	
10	IMPELLER SLEEVE, 304 SST	2 [▶]		P5003568	
10	SHAFT SLEEVE, 304 SST	2		P5001079 [◄]	
29	SLEEVE SET SCREW	4		P5002217 [◄]	
11	WATER SLINGER	2		P5001260	
12	SNAP RING	4 [◊]		P5001094	
	GREASE FITTING	2		P70614	
UNITIZED MECHANICAL SEAL - STANDARD CONSTRUCTION					
21	SEAL, STANDARD UNITIZED	2		P5001891 [▼]	
22	SEAL GLAND	2		P5001081	
24	GLAND GASKET	2		P5001084 [†]	
27	GLAND CAPSCREW	8		CP-611-271-545 [†]	
PACKING CONSTRUCTION					
P21	PACKING RING, STD MATERIAL	10		P5001582	
P22	PACKING RING BOX	2		P5001088	
P23	GLAND HALF PACKING, 304 SST	4		P5001089	
P24	STUD, SST 3/8"	4		P5002401	
P25	WASHER, SST 3/8"	4		J91649	
P26	HEX NUT, SST 3/8"	4		J91659	
P27	LANTERN RING	2		P5001585	
BALANCED CARTRIDGE SEAL CONSTRUCTION					
C21	CARTRIDGE SEAL - CHOOSE BELOW:				
	EPR/ SiC/ SiC	2		P5001899	
	VITON/ SiC/ SiC	2		P5001900	
WEAR RING OPTIONS - COVERPLATE OR IMPELLER					
35	COVERPLATE WEAR RING (W-RING)	2		P5001146	
15a	COVERPLATE, 2 NOTCH - MACHINED for W-RING	1		P5001483	
16a	COVERPLATE, 1 NOTCH - MACHINED for W-RING	1		P5001480	
34	IMPELLER WEAR RING (W-RING)	2		P5001145	
17a	IMPELLER, BRONZE - MACHINED for W-RING	1		P5001477	

- Standard for the mechanical seal and balanced cartridge seal construction. For packing construction - only 4 plugs, 1/4" are required
- Used with standard Unitized EPR/Carbon/SiC seal. When seal other than standard is selected, see page 47 for proper quad ring selection
- ◄ Not used on cartridge seal
- ◊ QTY=2 for packing and cartridge seal
- ▼ See page 47 for optional mechanical seal selection
- † Also used on packing and cartridge seal construction
- ▶ Pumps manufactured after Jan 2010 (Date Code A01) come standard with steel shafts and impeller keys

Factory Recommended Spare Parts

Note: To prevent premature seal failure or possible injury, the unitized mechanical seals should not be used as an alternate or substitute for the balanced cartridge seals installed in a high suction pressure rated VSX pump.

VSX - 8x10x10.5A

ITEM NO.	DESCRIPTION	QTY	PART NUMBER		
VOLUTE - VSX					
			STANDARD	250 FLANGE RATING	16BAR
14a	VOLUTE - VSC	1	P5001331	P5001333	P5001332
14b	VOLUTE - VSH	1	P5001003	P5001006	P5001005
14c	VOLUTE - VSCS	1	P5001337	P5001339	P5001338
COMMON VOLUTE PARTS					
23	VOLUTE GASKET	2		P5001025	
15	COVERPLATE, 2 NOTCH	1		P5001013	
16	COVERPLATE, 1 NOTCH	1		P5001010	
25	VOLUTE CAPSCREW	32		P5001032	
30	PLUG SQUARE HEAD STEEL, 1/2"	3		J89453	
31	PLUG SQUARE HEAD CAST IRON, 1"	2		J89455	
32	PLUG SQUARE HEAD STEEL, 1/4"	7 [■]		P39040	
33	PLUG SQUARE HEAD STEEL, 3/4"	1		CP-711-509-006	
17	IMPELLER, BRONZE, 10.5"	1		P5001001	
17	IMPELLER, BRONZE, 10.5"	1		P5002720 [▶]	
18	SHAFT, 1045 STEEL	1 [▶]		P5003603	
18	SHAFT, 416 SST	1		P5001024	
19	IMPELLER KEY, C1018 STEEL	1 [▶]		P5003642	
19	IMPELLER KEY, 300 SRS SST	1		P5001287	
20	COUPLER KEY	1		P5001577	
COMMON PUMP PARTS - STANDARD CONSTRUCTION					
1	BEARING	2		P5001020	
2	BEARING BRACKET INBOARD	1		P5001016	
3	BEARING BRACKET OUTBOARD	1		P5001017	
26	BRACKET CAPSCREW	8		P5001032	
4	BEARING CAP	2		P5001019	
28	BEARING CAP CAPSCREW	8		P5001037	
5	LIP SEAL (INBOARD ONLY)	1		P5001035	
6	LIP SEAL	2		P5001034	
7	LOCKNUT	2		CP-819-111-208	
8	LOCKWASHER	2		CP-819-133-208	
9	QUAD RING - EPDM	2		P5001033 [□]	
10	IMPELLER SLEEVE, 304 SST	2 [▶]		P5003566	
10	SHAFT SLEEVE, 304 SST	2		P5001021 [◄]	
29	SLEEVE SET SCREW	4		P5002217 [◄]	
11	WATER SLINGER	2		P77320	
12	SNAP RING	4 [◊]		P5001038	
13	BACKUP RING	2		P5001059	
	GREASE FITTING	2		P70614	
UNITIZED MECHANICAL SEAL - STANDARD CONSTRUCTION					
21	SEAL, STANDARD UNITIZED	2		P5001889 [▼]	
22	SEAL GLAND	2		P5001023	
24	GLAND GASKET	2		P5001026 [†]	
27	GLAND CAPSCREW	8		CP-611-271-545 [†]	
PACKING CONSTRUCTION					
P21	PACKING RING, STD MATERIAL	10		P5001581	
P22	PACKING RING BOX	2		P5001030	
P23	GLAND HALF PACKING, 304 SST	4		P5001031	
P24	STUD, SST 3/8"	4		P5002400	
P25	WASHER, SST 3/8"	4		J91649	
P26	HEX NUT, SST 3/8"	4		J91659	
P27	LANTERN RING	2		AC0803	
BALANCED CARTRIDGE SEAL CONSTRUCTION					
C21	CARTRIDGE SEAL - CHOOSE BELOW:				
	EPR/ SiC/ SiC	2		P5004349	
	VITON/ SiC/ SiC	2		P5004350	
WEAR RING OPTIONS - COVERPLATE OR IMPELLER					
35	COVERPLATE WEAR RING (W-RING)	2		P5001040	
15a	COVERPLATE, 2 NOTCH - MACHINED for W-RING	1		P5001014	
16a	COVERPLATE, 1 NOTCH - MACHINED for W-RING	1		P5001011	
34	IMPELLER WEAR RING (W-RING)	2		P5001039	
17a	IMPELLER, BRONZE - MACHINED for W-RING	1		P5001002	
17a	IMPELLER, BRONZE - MACHINED for W-RING	1		P5002721 [▶]	

- Standard for the mechanical seal and balanced cartridge seal construction. For packing construction - only 4 plugs, 1/4" are required
- Used with standard Unitized EPR/Carbon/SiC seal. When seal other than standard is selected, see page 47 for proper quad ring selection
- ◄ Not used on cartridge seal
- ◊ QTY=2 for packing and cartridge seal
- ▼ See page 47 for optional mechanical seal selection
- † Also used on packing and cartridge seal construction
- ▶ For pumps manufactured before January 2009, date code A90 use Impeller P5001001 or Impeller Machined for W-Ring P5001002. For pumps manufactured after March 2009, date code D90; use Impeller P5002720 or Impeller Machined for W-Ring P5002721. If the date code is between A90-D90, consult factory.
- ▶ Pumps manufactured after Jan 2010 (Date Code A01) come standard with steel shafts and impeller keys

Factory Recommended Spare Parts

Note: To prevent premature seal failure or possible injury, the unitized mechanical seals should not be used as an alternate or substitute for the balanced cartridge seals installed in a high suction pressure rated VSX pump.

VSX - 8x10x10.5B

ITEM NO.	DESCRIPTION	QTY	PART NUMBER		
VOLUTE - VSX					
			STANDARD	250 FLANGE RATING	16BAR
14a	VOLUTE - VSC	1	P5001331	P5001333	P5001332
14b	VOLUTE - VSH	1	P5001003	P5001006	P5001005
14c	VOLUTE - VSCS	1	P5001337	P5001339	P5001338
COMMON VOLUTE PARTS					
23	VOLUTE GASKET	2		P5001025	
15	COVERPLATE, 2 NOTCH	1		P5001013	
16	COVERPLATE, 1 NOTCH	1		P5001010	
25	VOLUTE CAPSCREW	32		P5001032	
30	PLUG SQUARE HEAD STEEL, 1/2"	3		J89453	
31	PLUG SQUARE HEAD CAST IRON, 1"	2		J89455	
32	PLUG SQUARE HEAD STEEL, 1/4"	7 [■]		P39040	
33	PLUG SQUARE HEAD STEEL, 3/4"	1		CP-711-509-006	
17	IMPELLER, BRONZE, 10.75"	1		P5002662	
18	SHAFT, 1045 STEEL	1 [▶]		P5003603	
18	SHAFT, 416 SST	1		P5001024	
19	IMPELLER KEY, C1018 STEEL	1 [▶]		P5003642	
19	IMPELLER KEY, 300 SRS SST	1		P5001287	
20	COUPLER KEY	1		P5001577	
COMMON PUMP PARTS - STANDARD CONSTRUCTION					
1	BEARING	2		P5001020	
2	BEARING BRACKET INBOARD	1		P5001016	
3	BEARING BRACKET OUTBOARD	1		P5001017	
26	BRACKET CAPSCREW	8		P5001032	
4	BEARING CAP	2		P5001019	
28	BEARING CAP CAPSCREW	8		P5001037	
5	LIP SEAL (INBOARD ONLY)	1		P5001035	
6	LIP SEAL	2		P5001034	
7	LOCKNUT	2		CP-819-111-208	
8	LOCKWASHER	2		CP-819-133-208	
9	QUAD RING - EPDM	2		P5001033 [□]	
10	IMPELLER SLEEVE, 304 SST	2 [▶]		P5003566	
10	SHAFT SLEEVE, 304 SST	2		P5001021 [◄]	
29	SLEEVE SET SCREW	4		P5002217 [◄]	
11	WATER SLINGER	2		P77320	
12	SNAP RING	4 [◊]		P5001038	
13	BACKUP RING	2		P5001059	
	GREASE FITTING	2		P70614	
UNITIZED MECHANICAL SEAL - STANDARD CONSTRUCTION					
21	SEAL, STANDARD UNITIZED	2		P5001889 [▼]	
22	SEAL GLAND	2		P5001023	
24	GLAND GASKET	2		P5001026 [†]	
27	GLAND CAPSCREW	8		CP-611-271-545 [†]	
PACKING CONSTRUCTION					
P21	PACKING RING, STD MATERIAL	10		P5001581	
P22	PACKING RING BOX	2		P5001030	
P23	GLAND HALF PACKING, 304 SST	4		P5001031	
P24	STUD, SST 3/8"	4		P5002400	
P25	WASHER, SST 3/8"	4		J91649	
P26	HEX NUT, SST 3/8"	4		J91659	
P27	LANTERN RING	2		AC0803	
BALANCED CARTRIDGE SEAL CONSTRUCTION					
C21	CARTRIDGE SEAL - CHOOSE BELOW:				
	EPR/ SiC/ SiC	2		P5004349	
	VITON/ SiC/ SiC	2		P5004350	
WEAR RING OPTIONS - COVERPLATE OR IMPELLER					
35	COVERPLATE WEAR RING (W-RING)	2		P5001040	
15a	COVERPLATE, 2 NOTCH - MACHINED for W-RING	1		P5001014	
16a	COVERPLATE, 1 NOTCH - MACHINED for W-RING	1		P5001011	
34	IMPELLER WEAR RING (W-RING)	2		P5001039	
17a	IMPELLER, BRONZE - MACHINED for W-RING	1		P5002663	

- Standard for the mechanical seal and balanced cartridge seal construction. For packing construction - only 4 plugs, 1/4" are required
- Used with standard Unitized EPR/Carbon/SiC seal. When seal other than standard is selected, see page 47 for proper quad ring selection
- ◄ Not used on cartridge seal
- ◊ QTY=2 for packing and cartridge seal
- ▼ See page 47 for optional mechanical seal selection
- † Also used on packing and cartridge seal construction
- ▶ Pumps manufactured after Jan 2010 (Date Code A01) come standard with steel shafts and impeller keys

Factory Recommended Spare Parts

Note: To prevent premature seal failure or possible injury, the unitized mechanical seals should not be used as an alternate or substitute for the balanced cartridge seals installed in a high suction pressure rated VSX pump.

VSX - 8x10x13.5A

ITEM NO.	DESCRIPTION	QTY	PART NUMBER		
VOLUTE - VSX					
			STANDARD	250 FLANGE RATING	16BAR
14a	VOLUTE - VSC	1	P5001343	P5001345	P5001344
14b	VOLUTE - VSH	1	P5001102	P5001104	P5001103
14c	VOLUTE - VSCS	1	P5001349	P5001351	P5001350
COMMON VOLUTE PARTS					
23	VOLUTE GASKET	2		P5001083	
15	COVERPLATE, 2 NOTCH	1		P5001111	
16	COVERPLATE, 1 NOTCH	1		P5001108	
25	VOLUTE CAPSCREW	32		J92292	
30	PLUG SQUARE HEAD STEEL, 1/2"	3		J89453	
31	PLUG SQUARE HEAD CAST IRON, 1"	2		J89455	
32	PLUG SQUARE HEAD STEEL, 1/4"	7 [■]		P39040	
33	PLUG SQUARE HEAD STEEL, 3/4"	1		CP-711-509-006	
17	IMPELLER, BRONZE, 13.5"	1		P5001099	
18	SHAFT, 1045 STEEL	1 [▶]		P5003605	
18	SHAFT, 416 SST	1		P5001082	
19	IMPELLER KEY, C1018 STEEL	1 [▶]		P5003643	
19	IMPELLER KEY, 300 SRS SST	1		P5001288	
20	COUPLER KEY	1		P5001578	
COMMON PUMP PARTS - STANDARD CONSTRUCTION					
1	BEARING	2		P5001078	
2	BEARING BRACKET INBOARD	1		P5001074	
3	BEARING BRACKET OUTBOARD	1		P5001075	
26	BRACKET CAPSCREW	8		P5001032	
4	BEARING CAP	2		P5001077	
28	BEARING CAP CAPSCREW	8		P5001037	
5	LIP SEAL (INBOARD ONLY)	1		P5001092	
6	LIP SEAL	2		P5001091	
7	LOCKNUT	2		CP-819-111-208	
8	LOCKWASHER	2		CP-819-133-208	
9	QUAD RING - EPDM	2		P5001090 [◇]	
10	IMPELLER SLEEVE, 304 SST	2 [▶]		P5003570	
10	SHAFT SLEEVE, 304 SST	2		P5001079 [◄]	
29	SLEEVE SET SCREW	4		P5002217 [◄]	
11	WATER SLINGER	2		P5001260	
12	SNAP RING	4 [◊]		P5001094	
	GREASE FITTING	2		P70614	
UNITIZED MECHANICAL SEAL - STANDARD CONSTRUCTION					
21	SEAL, STANDARD UNITIZED	2		P5001891 [▼]	
22	SEAL GLAND	2		P5001081	
24	GLAND GASKET	2		P5001084 [†]	
27	GLAND CAPSCREW	8		CP-611-271-545 [†]	
PACKING CONSTRUCTION					
P21	PACKING RING, STD MATERIAL	10		P5001582	
P22	PACKING RING BOX	2		P5001088	
P23	GLAND HALF PACKING, 304 SST	4		P5001089	
P24	STUD, SST 3/8"	4		P5002401	
P25	WASHER, SST 3/8"	4		J91649	
P26	HEX NUT, SST 3/8"	4		J91659	
P27	LANTERN RING	2		P5001585	
BALANCED CARTRIDGE SEAL CONSTRUCTION					
C21	CARTRIDGE SEAL - CHOOSE BELOW:				
	EPR/ SiC/ SiC	2		P5001899	
	VITON/ SiC/ SiC	2		P5001900	
WEAR RING OPTIONS - COVERPLATE OR IMPELLER					
35	COVERPLATE WEAR RING (W-RING)	2		P5001113	
15a	COVERPLATE, 2 NOTCH - MACHINED for W-RING	1		P5001112	
16a	COVERPLATE, 1 NOTCH - MACHINED for W-RING	1		P5001109	
34	IMPELLER WEAR RING (W-RING)	2		P5001097	
17a	IMPELLER, BRONZE - MACHINED for W-RING	1		P5001100	

- Standard for the mechanical seal and balanced cartridge seal construction. For packing construction - only 4 plugs, 1/4" are required
- Used with standard Unitized EPR/Carbon/SiC seal. When seal other than standard is selected, see page 47 for proper quad ring selection
- ◄ Not used on cartridge seal
- ◇ QTY=2 for packing and cartridge seal
- ▼ See page 47 for optional mechanical seal selection
- † Also used on packing and cartridge seal construction
- ▶ Pumps manufactured after Jan 2010 (Date Code A01) come standard with steel shafts and impeller keys

Factory Recommended Spare Parts

Note: To prevent premature seal failure or possible injury, the unitized mechanical seals should not be used as an alternate or substitute for the balanced cartridge seals installed in a high suction pressure rated VSX pump.

VSX - 8x10x13.5B

ITEM NO.	DESCRIPTION	QTY	PART NUMBER		
VOLUTE - VSX					
			STANDARD	250 FLANGE RATING	16BAR
14a	VOLUTE - VSC	1	P5001343	P5001345	P5001344
14b	VOLUTE - VSH	1	P5001102	P5001104	P5001103
14c	VOLUTE - VSCS	1	P5001349	P5001351	P5001350
COMMON VOLUTE PARTS					
23	VOLUTE GASKET	2		P5001083	
15	COVERPLATE, 2 NOTCH	1		P5001111	
16	COVERPLATE, 1 NOTCH	1		P5001108	
25	VOLUTE CAPSCREW	32		J92292	
30	PLUG SQUARE HEAD STEEL, 1/2"	3		J89453	
31	PLUG SQUARE HEAD CAST IRON, 1"	2		J89455	
32	PLUG SQUARE HEAD STEEL, 1/4"	7 [■]		P39040	
33	PLUG SQUARE HEAD STEEL, 3/4"	1		CP-711-509-006	
17	IMPELLER, BRONZE, 13.5"	1		P5002570	
18	SHAFT, 1045 STEEL	1 [▶]		P5003605	
18	SHAFT, 416 SST	1		P5001082	
19	IMPELLER KEY, C1018 STEEL	1 [▶]		P5003643	
19	IMPELLER KEY, 300 SRS SST	1		P5001288	
20	COUPLER KEY	1		P5001578	
COMMON PUMP PARTS - STANDARD CONSTRUCTION					
1	BEARING	2		P5001078	
2	BEARING BRACKET INBOARD	1		P5001074	
3	BEARING BRACKET OUTBOARD	1		P5001075	
26	BRACKET CAPSCREW	8		P5001032	
4	BEARING CAP	2		P5001077	
28	BEARING CAP CAPSCREW	8		P5001037	
5	LIP SEAL (INBOARD ONLY)	1		P5001092	
6	LIP SEAL	2		P5001091	
7	LOCKNUT	2		CP-819-111-208	
8	LOCKWASHER	2		CP-819-133-208	
9	QUAD RING - EPDM	2		P5001090 [□]	
10	IMPELLER SLEEVE, 304 SST	2 [▶]		P5003570	
10	SHAFT SLEEVE, 304 SST	2		P5001079 [◄]	
29	SLEEVE SET SCREW	4		P5002217 [◄]	
11	WATER SLINGER	2		P5001260	
12	SNAP RING	4 [◊]		P5001094	
	GREASE FITTING	2		P70614	
UNITIZED MECHANICAL SEAL - STANDARD CONSTRUCTION					
21	SEAL, STANDARD UNITIZED	2		P5001891 [▼]	
22	SEAL GLAND	2		P5001081	
24	GLAND GASKET	2		P5001084 [†]	
27	GLAND CAPSCREW	8		CP-611-271-545 [†]	
PACKING CONSTRUCTION					
P21	PACKING RING, STD MATERIAL	10		P5001582	
P22	PACKING RING BOX	2		P5001088	
P23	GLAND HALF PACKING, 304 SST	4		P5001089	
P24	STUD, SST 3/8"	4		P5002401	
P25	WASHER, SST 3/8"	4		J91649	
P26	HEX NUT, SST 3/8"	4		J91659	
P27	LANTERN RING	2		P5001585	
BALANCED CARTRIDGE SEAL CONSTRUCTION					
C21	CARTRIDGE SEAL - CHOOSE BELOW:				
	EPR/ SiC/ SiC	2		P5001899	
	VITON/ SiC/ SiC	2		P5001900	
WEAR RING OPTIONS - COVERPLATE OR IMPELLER					
35	COVERPLATE WEAR RING (W-RING)	2		P5001113	
15a	COVERPLATE, 2 NOTCH - MACHINED for W-RING	1		P5001112	
16a	COVERPLATE, 1 NOTCH - MACHINED for W-RING	1		P5001109	
34	IMPELLER WEAR RING (W-RING)	2		P5001097	
17a	IMPELLER, BRONZE - MACHINED for W-RING	1		P5002571	

■ Standard for the mechanical seal and balanced cartridge seal construction. For packing construction - only 4 plugs, 1/4" are required
□ Used with standard Unitized EPR/Carbon/SiC seal. When seal other than standard is selected, see page 47 for proper quad ring selection

◄ Not used on cartridge seal

◊ QTY=2 for packing and cartridge seal

▼ See page 47 for optional mechanical seal selection

† Also used on packing and cartridge seal construction

▶ Pumps manufactured after Jan 2010 (Date Code A01) come standard with steel shafts and impeller keys

Factory Recommended Spare Parts

Note: To prevent premature seal failure or possible injury, the unitized mechanical seals should not be used as an alternate or substitute for the balanced cartridge seals installed in a high suction pressure rated VSX pump.

VSX - 8x10x17.5A

ITEM NO.	DESCRIPTION	QTY	PART NUMBER		
VOLUTE - VSX					
			STANDARD	250 FLANGE RATING	16BAR
14a	VOLUTE - VSC	1	P5001539	P5001541	P5001540
14b	VOLUTE - VSH	1	P5001533	P5001535	P5001534
14c	VOLUTE - VSCS	1	P5001545	P5001547	P5001546
COMMON VOLUTE PARTS					
23	VOLUTE GASKET	2		P5001274	
15	COVERPLATE, 2 NOTCH	1		P5001530	
16	COVERPLATE, 1 NOTCH	1		P5001527	
25	VOLUTE CAPSCREW	36		J66780	
30	PLUG SQUARE HEAD STEEL, 1/2"	3		J89453	
31	PLUG SQUARE HEAD CAST IRON, 1"	2		J89455	
32	PLUG SQUARE HEAD STEEL, 1/4"	7 [■]		P39040	
33	PLUG SQUARE HEAD STEEL, 3/4"	1		CP-711-509-006	
17	IMPELLER, BRONZE, 17.5"	1		P5001524	
18	SHAFT, 1045 STEEL	1 [▶]		P5003606	
18	SHAFT, 416 SST	1		P5002427	
19	IMPELLER KEY, C1018 STEEL	1 [▶]		P5003644	
19	IMPELLER KEY, 300 SRS SST	1		P5001251	
20	COUPLER KEY	1		P5001579	
COMMON PUMP PARTS - STANDARD CONSTRUCTION					
1	BEARING	2		P5001244	
2	BEARING BRACKET INBOARD	1		P5001240	
3	BEARING BRACKET OUTBOARD	1		P5001241	
26	BRACKET CAPSCREW	8		P5001032	
4	BEARING CAP	2		P5001243	
28	BEARING CAP CAPSCREW	8		DJ0081	
5	LIP SEAL (INBOARD ONLY)	1		P5001257	
6	LIP SEAL	2		P5001256	
7	LOCKNUT	2		J92381	
8	LOCKWASHER	2		J92382	
9	QUAD RING - EPDM	2		P5001255 [□]	
10	IMPELLER SLEEVE, 304 SST	2 [▶]		P5003572	
10	SHAFT SLEEVE, 304 SST	2		P5001245 [◄]	
29	SLEEVE SET SCREW	4		P5002217 [◄]	
11	WATER SLINGER	2		P5001261	
12	SNAP RING	4 [°]		P5001259	
	GREASE FITTING	2		P70614	
UNITIZED MECHANICAL SEAL - STANDARD CONSTRUCTION					
21	SEAL, STANDARD UNITIZED	2		P5001893 [▼]	
22	SEAL GLAND	2		P5001247	
24	GLAND GASKET	2		P5001250 [†]	
27	GLAND CAPSCREW	8		CP-611-271-545 [†]	
PACKING CONSTRUCTION					
P21	PACKING RING, STD MATERIAL	10		P5001583	
P22	PACKING RING BOX	2		P5001253	
P23	GLAND HALF PACKING, 304 SST	4		P5001254	
P24	STUD, SST 3/8"	4		P5002401	
P25	WASHER, SST 3/8"	4		J91649	
P26	HEX NUT, SST 3/8"	4		J91659	
P27	LANTERN RING	2		P5001586	
BALANCED CARTRIDGE SEAL CONSTRUCTION					
C21	CARTRIDGE SEAL - CHOOSE BELOW:				
	EPR/ SiC/ SiC	2		P5001901	
	VITON/ SiC/ SiC	2		P5001902	
WEAR RING OPTIONS - COVERPLATE OR IMPELLER					
35	COVERPLATE WEAR RING (W-RING)	2		P5001789	
15a	COVERPLATE, 2 NOTCH - MACHINED for W-RING	1		P5001531	
16a	COVERPLATE, 1 NOTCH - MACHINED for W-RING	1		P5001528	
34	IMPELLER WEAR RING (W-RING)	2		P5001788	
17a	IMPELLER, BRONZE - MACHINED for W-RING	1		P5001525	

- Standard for the mechanical seal and balanced cartridge seal construction. For packing construction - only 4 plugs, 1/4" are required
- Used with standard Unitized EPR/Carbon/SiC seal. When seal other than standard is selected, see page 47 for proper quad ring selection
- ◄ Not used on cartridge seal
- ◇ QTY=2 for packing and cartridge seal
- ▼ See page 47 for optional mechanical seal selection
- † Also used on packing and cartridge seal construction
- ▶ Pumps manufactured after Jan 2010 (Date Code A01) come standard with steel shafts and impeller keys

Factory Recommended Spare Parts

Note: To prevent premature seal failure or possible injury, the unitized mechanical seals should not be used as an alternate or substitute for the balanced cartridge seals installed in a high suction pressure rated VSX pump.

VSX - 8x10x17.5B

ITEM NO.	DESCRIPTION	QTY	PART NUMBER		
VOLUTE - VSX					
			STANDARD	250 FLANGE RATING	16BAR
14a	VOLUTE - VSC	1	P5001539	P5001541	P5001540
14b	VOLUTE - VSH	1	P5001533	P5001535	P5001534
14c	VOLUTE - VSCS	1	P5001545	P5001547	P5001546
COMMON VOLUTE PARTS					
23	VOLUTE GASKET	2	P5001274		
15	COVERPLATE, 2 NOTCH	1	P5001530		
16	COVERPLATE, 1 NOTCH	1	P5001527		
25	VOLUTE CAPSCREW	36	J66780		
30	PLUG SQUARE HEAD STEEL, 1/2"	3	J89453		
31	PLUG SQUARE HEAD CAST IRON, 1"	2	J89455		
32	PLUG SQUARE HEAD STEEL, 1/4"	7 [■]	P39040		
33	PLUG SQUARE HEAD STEEL, 3/4"	1	CP-711-509-006		
17	IMPELLER, BRONZE, 17.5"	1	P5003175		
18	SHAFT, 1045 STEEL	1 [▶]	P5003606		
18	SHAFT, 416 SST	1	P5002427		
19	IMPELLER KEY, C1018 STEEL	1 [▶]	P5003644		
19	IMPELLER KEY, 300 SRS SST	1	P5001251		
20	COUPLER KEY	1	P5001579		
COMMON PUMP PARTS - STANDARD CONSTRUCTION					
1	BEARING	2	P5001244		
2	BEARING BRACKET INBOARD	1	P5001240		
3	BEARING BRACKET OUTBOARD	1	P5001241		
26	BRACKET CAPSCREW	8	P5001032		
4	BEARING CAP	2	P5001243		
28	BEARING CAP CAPSCREW	8	DJ0081		
5	LIP SEAL (INBOARD ONLY)	1	P5001257		
6	LIP SEAL	2	P5001256		
7	LOCKNUT	2	J92381		
8	LOCKWASHER	2	J92382		
9	QUAD RING - EPDM	2	P5001255 [◇]		
10	IMPELLER SLEEVE, 304 SST	2 [▶]	P5003572		
10	SHAFT SLEEVE, 304 SST	2	P5001245 [◄]		
29	SLEEVE SET SCREW	4	P5002217 [◄]		
11	WATER SLINGER	2	P5001261		
12	SNAP RING	4 [◊]	P5001259		
	GREASE FITTING	2	P70614		
UNITIZED MECHANICAL SEAL - STANDARD CONSTRUCTION					
21	SEAL, STANDARD UNITIZED	2	P5001893 [▼]		
22	SEAL GLAND	2	P5001247		
24	GLAND GASKET	2	P5001250 [†]		
27	GLAND CAPSCREW	8	CP-611-271-545 [†]		
PACKING CONSTRUCTION					
P21	PACKING RING, STD MATERIAL	10	P5001583		
P22	PACKING RING BOX	2	P5001253		
P23	GLAND HALF PACKING, 304 SST	4	P5001254		
P24	STUD, SST 3/8"	4	P5002401		
P25	WASHER, SST 3/8"	4	J91649		
P26	HEX NUT, SST 3/8"	4	J91659		
P27	LANTERN RING	2	P5001586		
BALANCED CARTRIDGE SEAL CONSTRUCTION					
C21	CARTRIDGE SEAL - CHOOSE BELOW:				
	EPR/ SiC/ SiC	2	P5001901		
	VITON/ SiC/ SiC	2	P5001902		
WEAR RING OPTIONS - COVERPLATE OR IMPELLER					
35	COVERPLATE WEAR RING (W-RING)	2	P5001789		
15a	COVERPLATE, 2 NOTCH - MACHINED for W-RING	1	P5001531		
16a	COVERPLATE, 1 NOTCH - MACHINED for W-RING	1	P5001528		
34	IMPELLER WEAR RING (W-RING)	2	P5001788		
17a	IMPELLER, BRONZE - MACHINED for W-RING	1	P5003176		

■ Standard for the mechanical seal and balanced cartridge seal construction. For packing construction - only 4 plugs, 1/4" are required
 □ Used with standard Unitized EPR/Carbon/SiC seal. When seal other than standard is selected, see page 47 for proper quad ring selection

◄ Not used on cartridge seal

◇ QTY=2 for packing and cartridge seal

▼ See page 47 for optional mechanical seal selection

† Also used on packing and cartridge seal construction

▶ Pumps manufactured after Jan 2010 (Date Code A01) come standard with steel shafts and impeller keys

Factory Recommended Spare Parts

Note: To prevent premature seal failure or possible injury, the unitized mechanical seals should not be used as an alternate or substitute for the balanced cartridge seals installed in a high suction pressure rated VSX pump.

VSX - 8x10x22A

ITEM NO.	DESCRIPTION	QTY	PART NUMBER		
VOLUTE - VSX					
			STANDARD	250 FLANGE RATING	16BAR
14a	VOLUTE - VSC	1	P5001566	P5001568	P5001567
14b	VOLUTE - VSH	1	P5001560	P5001562	P5001561
14c	VOLUTE - VSCS	1	P5001572	P5001574	P5001573
COMMON VOLUTE PARTS					
23	VOLUTE GASKET	2		P5002474	
15	COVERPLATE, 2 NOTCH	1		P5001577	
16	COVERPLATE, 1 NOTCH	1		P5001554	
25	VOLUTE CAPSCREW	36		P5002734	
30	PLUG SQUARE HEAD STEEL, 1/2"	3		J89453	
31	PLUG SQUARE HEAD CAST IRON, 1"	2		J89455	
32	PLUG SQUARE HEAD STEEL, 1/4"	7 [■]		P39040	
33	PLUG SQUARE HEAD STEEL, 3/4"	1		CP-711-509-006	
17	IMPELLER, BRONZE, 22"	1		P5001551	
18	SHAFT, 1045 STEEL	1 [▶]		P5003609	
18	SHAFT, 416 SST	1		P5002475	
19	IMPELLER KEY, C1018 STEEL	1 [▶]		P5003645	
19	IMPELLER KEY, 300 SRS SST	1		P5001276	
20	COUPLER KEY	1		P5001580	
COMMON PUMP PARTS - STANDARD CONSTRUCTION					
1	BEARING	2		P5001269	
2	BEARING BRACKET INBOARD	1		P5001265	
3	BEARING BRACKET OUTBOARD	1		P5001266	
26	BRACKET CAPSCREW	8		P5001032	
4	BEARING CAP	2		P5001268	
28	BEARING CAP CAPSCREW	8		P44250	
5	LIP SEAL (INBOARD ONLY)	1		P5001282	
6	LIP SEAL	2		P5001281	
7	LOCKNUT	2		J92378	
8	LOCKWASHER	2		J92377	
9	QUAD RING - EPDM	2		P5001280 [□]	
10	IMPELLER SLEEVE, 304 SST	2 [▶]		P5003578	
10	SHAFT SLEEVE, 304 SST	2		P5001270 [◄]	
29	SLEEVE SET SCREW	4		P5002217 [◄]	
11	WATER SLINGER	2		P5001284	
12	SNAP RING	4 [◊]		P5001283	
	GREASE FITTING	2		P70614	
UNITIZED MECHANICAL SEAL - STANDARD CONSTRUCTION					
21	SEAL, STANDARD UNITIZED	2		P5001895 [▼]	
22	SEAL GLAND	2		P5001272	
24	GLAND GASKET	2		P5001275 [†]	
27	GLAND CAPSCREW	8		CP-611-271-545 [†]	
PACKING CONSTRUCTION					
P21	PACKING RING, STD MATERIAL	10		P5001584	
P22	PACKING RING BOX	2		P5001278	
P23	GLAND HALF PACKING, 304 SST	4		P5001279	
P24	STUD, SST 3/8"	4		P5002402	
P25	WASHER, SST 3/8"	4		J91649	
P26	HEX NUT, SST 3/8"	4		J91659	
P27	LANTERN RING	2		P5001587	
BALANCED CARTRIDGE SEAL CONSTRUCTION					
C21	CARTRIDGE SEAL - CHOOSE BELOW:				
	EPR/ SiC/ SiC	2		P5001903	
	VITON/ SiC/ SiC	2		P5001904	
WEAR RING OPTIONS - COVERPLATE OR IMPELLER					
35	COVERPLATE WEAR RING (W-RING)	2		P5001113	
15a	COVERPLATE, 2 NOTCH - MACHINED for W-RING	1		P5001558	
16a	COVERPLATE, 1 NOTCH - MACHINED for W-RING	1		P5001555	
34	IMPELLER WEAR RING (W-RING)	2		P5001097	
17a	IMPELLER, BRONZE - MACHINED for W-RING	1		P5001552	

■ Standard for the mechanical seal and balanced cartridge seal construction. For packing construction - only 4 plugs, 1/4" are required
□ Used with standard Unitized EPR/Carbon/SiC seal. When seal other than standard is selected, see page 47 for proper quad ring selection

◄ Not used on cartridge seal

◊ QTY=2 for packing and cartridge seal

▼ See page 47 for optional mechanical seal selection

† Also used on packing and cartridge seal construction

▶ Pumps manufactured after Jan 2010 (Date Code A01) come standard with steel shafts and impeller keys

Factory Recommended Spare Parts

Note: To prevent premature seal failure or possible injury, the unitized mechanical seals should not be used as an alternate or substitute for the balanced cartridge seals installed in a high suction pressure rated VSX pump.

VSX - 10x12x10.5A

ITEM NO.	DESCRIPTION	QTY	PART NUMBER		
VOLUTE - VSX					
			STANDARD	250 FLANGE RATING	16BAR
14a	VOLUTE - VSC	1	P5001355	P5001357	P5001356
14b	VOLUTE - VSH	1	P5001151	P5001153	P5001152
14c	VOLUTE - VSCS	1	P5001359	P5001361	P5001360
COMMON VOLUTE PARTS					
23	VOLUTE GASKET	2		P5001249	
15	COVERPLATE, 2 NOTCH	1		P5001158	
16	COVERPLATE, 1 NOTCH	1		P5001155	
25	VOLUTE CAPSCREW	36		P5001032	
30	PLUG SQUARE HEAD STEEL, 1/2"	3		J89453	
31	PLUG SQUARE HEAD CAST IRON, 1"	2		J89455	
32	PLUG SQUARE HEAD STEEL, 1/4"	7 [■]		P39040	
33	PLUG SQUARE HEAD STEEL, 3/4"	1		CP-711-509-006	
17	IMPELLER, BRONZE, 10.75"	1		P5001148	
18	SHAFT, 1045 STEEL	1 [▶]		P5003605	
18	SHAFT, 416 SST	1		P5001082	
19	IMPELLER KEY, C1018 STEEL	1 [▶]		P5003643	
19	IMPELLER KEY, 300 SRS SST	1		P5001288	
20	COUPLER KEY	1		P5001578	
COMMON PUMP PARTS - STANDARD CONSTRUCTION					
1	BEARING	2		P5001078	
2	BEARING BRACKET INBOARD	1		P5001074	
3	BEARING BRACKET OUTBOARD	1		P5001075	
26	BRACKET CAPSCREW	8		P5001032	
4	BEARING CAP	2		P5001077	
28	BEARING CAP CAPSCREW	8		P5001037	
5	LIP SEAL (INBOARD ONLY)	1		P5001092	
6	LIP SEAL	2		P5001091	
7	LOCKNUT	2		CP-819-111-209	
8	LOCKWASHER	2		CP-819-133-209	
9	QUAD RING - EPDM	2		P5001090 [◇]	
10	IMPELLER SLEEVE, 304 SST	2 [▶]		P5003570	
10	SHAFT SLEEVE, 304 SST	2		P5001079 [◄]	
29	SLEEVE SET SCREW	4		P5002217 [◄]	
11	WATER SLINGER	2		P5001260	
12	SNAP RING	4 [◊]		P5001094	
	GREASE FITTING	2		P70614	
UNITIZED MECHANICAL SEAL - STANDARD CONSTRUCTION					
21	SEAL, STANDARD UNITIZED	2		P5001891 [▼]	
22	SEAL GLAND	2		P5001081	
24	GLAND GASKET	2		P5001084 [†]	
27	GLAND CAPSCREW	8		CP-611-271-545 [†]	
PACKING CONSTRUCTION					
P21	PACKING RING, STD MATERIAL	10		P5001582	
P22	PACKING RING BOX	2		P5001088	
P23	GLAND HALF PACKING, 304 SST	4		P5001089	
P24	STUD, SST 3/8"	4		P5002401	
P25	WASHER, SST 3/8"	4		J91649	
P26	HEX NUT, SST 3/8"	4		J91659	
P27	LANTERN RING	2		P5001585	
BALANCED CARTRIDGE SEAL CONSTRUCTION					
C21	CARTRIDGE SEAL - CHOOSE BELOW:				
	EPR/ SiC/ SiC	2		P5001899	
	VITON/ SiC/ SiC	2		P5001900	
WEAR RING OPTIONS - COVERPLATE OR IMPELLER					
35	COVERPLATE WEAR RING (W-RING)	2		P5001161	
15a	COVERPLATE, 2 NOTCH - MACHINED for W-RING	1		P5001159	
16a	COVERPLATE, 1 NOTCH - MACHINED for W-RING	1		P5001156	
34	IMPELLER WEAR RING (W-RING)	2		P5001160	
17a	IMPELLER, BRONZE - MACHINED for W-RING	1		P5001149	

■ Standard for the mechanical seal and balanced cartridge seal construction. For packing construction - only 4 plugs, 1/4" are required
□ Used with standard Unitized EPR/Carbon/SiC seal. When seal other than standard is selected, see page 47 for proper quad ring selection

◄ Not used on cartridge seal

◇ QTY=2 for packing and cartridge seal

▼ See page 47 for optional mechanical seal selection

† Also used on packing and cartridge seal construction

▶ Pumps manufactured after Jan 2010 (Date Code A01) come standard with steel shafts and impeller keys

Factory Recommended Spare Parts

Note: To prevent premature seal failure or possible injury, the unitized mechanical seals should not be used as an alternate or substitute for the balanced cartridge seals installed in a high suction pressure rated VSX pump.

VSX - 10x12x11.5A

ITEM NO.	DESCRIPTION	QTY	PART NUMBER		
VOLUTE - VSX					
			STANDARD	250 FLANGE RATING	16BAR
14a	VOLUTE - VSC	1	P5002860	P5002862	P5002861
14b	VOLUTE - VSH	1	P5002849	P5002851	P5002850
14c	VOLUTE - VSCS	1	P5002865	P5002867	P5002866
COMMON VOLUTE PARTS					
23	VOLUTE GASKET	2		P5001249	
15	COVERPLATE, 2 NOTCH	1		P5002857	
16	COVERPLATE, 1 NOTCH	1		P5002854	
25	VOLUTE CAPSCREW	36		P5001032	
30	PLUG SQUARE HEAD STEEL, 1/2"	3		J89453	
31	PLUG SQUARE HEAD CAST IRON, 1"	2		J89455	
32	PLUG SQUARE HEAD STEEL, 1/4"	7 [■]		P39040	
33	PLUG SQUARE HEAD STEEL, 3/4"	1		CP-711-509-006	
17	IMPELLER, BRONZE, 10.5"	1		P5002736	
18	SHAFT, 1045 STEEL	1 [▶]		P5003605	
18	SHAFT, 416 SST	1		P5001082	
19	IMPELLER KEY, C1018 STEEL	1 [▶]		P5003643	
19	IMPELLER KEY, 300 SRS SST	1		P5001288	
20	COUPLER KEY	1		P5001578	
COMMON PUMP PARTS - STANDARD CONSTRUCTION					
1	BEARING	2		P5001078	
2	BEARING BRACKET INBOARD	1		P5001074	
3	BEARING BRACKET OUTBOARD	1		P5001075	
26	BRACKET CAPSCREW	8		P5001032	
4	BEARING CAP	2		P5001077	
28	BEARING CAP CAPSCREW	8		P5001037	
5	LIP SEAL (INBOARD ONLY)	1		P5001092	
6	LIP SEAL	2		P5001091	
7	LOCKNUT	2		CP-819-111-209	
8	LOCKWASHER	2		CP-819-133-209	
9	QUAD RING - EPDM	2		P5001090 [◇]	
10	IMPELLER SLEEVE, 304 SST	2 [▶]		P5003570	
10	SHAFT SLEEVE, 304 SST	2		P5001079 [◄]	
29	SLEEVE SET SCREW	4		P5002217 [◄]	
11	WATER SLINGER	2		P5001260	
12	SNAP RING	4 [◊]		P5001094	
	GREASE FITTING	2		P70614	
UNITIZED MECHANICAL SEAL - STANDARD CONSTRUCTION					
21	SEAL, STANDARD UNITIZED	2		P5001891 [▼]	
22	SEAL GLAND	2		P5001081	
24	GLAND GASKET	2		P5001084 [†]	
27	GLAND CAPSCREW	8		CP-611-271-545 [†]	
PACKING CONSTRUCTION					
P21	PACKING RING, STD MATERIAL	10		P5001582	
P22	PACKING RING BOX	2		P5001088	
P23	GLAND HALF PACKING, 304 SST	4		P5001089	
P24	STUD, SST 3/8"	4		P5002401	
P25	WASHER, SST 3/8"	4		J91649	
P26	HEX NUT, SST 3/8"	4		J91659	
P27	LANTERN RING	2		P5001585	
BALANCED CARTRIDGE SEAL CONSTRUCTION					
C21	CARTRIDGE SEAL - CHOOSE BELOW:				
	EPR/ SiC/ SiC	2		P5001899	
	VITON/ SiC/ SiC	2		P5001900	
WEAR RING OPTIONS - COVERPLATE OR IMPELLER					
35	COVERPLATE WEAR RING (W-RING)	2		P5001161	
15a	COVERPLATE, 2 NOTCH - MACHINED for W-RING	1		P5002858	
16a	COVERPLATE, 1 NOTCH - MACHINED for W-RING	1		P5002855	
34	IMPELLER WEAR RING (W-RING)	2		P5001160	
17a	IMPELLER, BRONZE - MACHINED for W-RING	1		P5002737	

■ Standard for the mechanical seal and balanced cartridge seal construction. For packing construction - only 4 plugs, 1/4" are required
□ Used with standard Unitized EPR/Carbon/SiC seal. When seal other than standard is selected, see page 47 for proper quad ring selection

◄ Not used on cartridge seal

◇ QTY=2 for packing and cartridge seal

▼ See page 47 for optional mechanical seal selection

† Also used on packing and cartridge seal construction

▶ Pumps manufactured after Jan 2010 (Date Code A01) come standard with steel shafts and impeller keys

Factory Recommended Spare Parts

Note: To prevent premature seal failure or possible injury, the unitized mechanical seals should not be used as an alternate or substitute for the balanced cartridge seals installed in a high suction pressure rated VSX pump.

VSX - 10x12x11.5B

ITEM NO.	DESCRIPTION	QTY	PART NUMBER		
VOLUTE - VSX					
			STANDARD	250 FLANGE RATING	16BAR
14a	VOLUTE - VSC	1	P5002860	P5002862	P5002861
14b	VOLUTE - VSH	1	P5002849	P5002851	P5002850
14c	VOLUTE - VSCS	1	P5002865	P5002867	P5002866
COMMON VOLUTE PARTS					
23	VOLUTE GASKET	2		P5001249	
15	COVERPLATE, 2 NOTCH	1		P5002857	
16	COVERPLATE, 1 NOTCH	1		P5002854	
25	VOLUTE CAPSCREW	36		P5001032	
30	PLUG SQUARE HEAD STEEL, 1/2"	3		J89453	
31	PLUG SQUARE HEAD CAST IRON, 1"	2		J89455	
32	PLUG SQUARE HEAD STEEL, 1/4"	7 [■]		P39040	
33	PLUG SQUARE HEAD STEEL, 3/4"	1		CP-711-509-006	
17	IMPELLER, BRONZE, 11.5"	1		P5002762	
18	SHAFT, 1045 STEEL	1 [▶]		P5003605	
18	SHAFT, 416 SST	1		P5001082	
19	IMPELLER KEY, C1018 STEEL	1 [▶]		P5003643	
19	IMPELLER KEY, 300 SRS SST	1		P5001288	
20	COUPLER KEY	1		P5001578	
COMMON PUMP PARTS - STANDARD CONSTRUCTION					
1	BEARING	2		P5001078	
2	BEARING BRACKET INBOARD	1		P5001074	
3	BEARING BRACKET OUTBOARD	1		P5001075	
26	BRACKET CAPSCREW	8		P5001032	
4	BEARING CAP	2		P5001077	
28	BEARING CAP CAPSCREW	8		P5001037	
5	LIP SEAL (INBOARD ONLY)	1		P5001092	
6	LIP SEAL	2		P5001091	
7	LOCKNUT	2		CP-819-111-209	
8	LOCKWASHER	2		CP-819-133-209	
9	QUAD RING - EPDM	2		P5001090 [□]	
10	IMPELLER SLEEVE, 304 SST	2 [▶]		P5003570	
10	SHAFT SLEEVE, 304 SST	2		P5001079 [◄]	
29	SLEEVE SET SCREW	4		P5002217 [◄]	
11	WATER SLINGER	2		P5001260	
12	SNAP RING	4 [°]		P5001094	
	GREASE FITTING	2		P70614	
UNITIZED MECHANICAL SEAL - STANDARD CONSTRUCTION					
21	SEAL, STANDARD UNITIZED	2		P5001891 [▼]	
22	SEAL GLAND	2		P5001081	
24	GLAND GASKET	2		P5001084 [†]	
27	GLAND CAPSCREW	8		CP-611-271-545 [†]	
PACKING CONSTRUCTION					
P21	PACKING RING, STD MATERIAL	10		P5001582	
P22	PACKING RING BOX	2		P5001088	
P23	GLAND HALF PACKING, 304 SST	4		P5001089	
P24	STUD, SST 3/8"	4		P5002401	
P25	WASHER, SST 3/8"	4		J91649	
P26	HEX NUT, SST 3/8"	4		J91659	
P27	LANTERN RING	2		P5001585	
BALANCED CARTRIDGE SEAL CONSTRUCTION					
C21	CARTRIDGE SEAL - CHOOSE BELOW:				
	EPR/ SiC/ SiC	2		P5001899	
	VITON/ SiC/ SiC	2		P5001900	
WEAR RING OPTIONS - COVERPLATE OR IMPELLER					
35	COVERPLATE WEAR RING (W-RING)	2		P5001161	
15a	COVERPLATE, 2 NOTCH - MACHINED for W-RING	1		P5002858	
16a	COVERPLATE, 1 NOTCH - MACHINED for W-RING	1		P5002855	
34	IMPELLER WEAR RING (W-RING)	2		P5001160	
17a	IMPELLER, BRONZE - MACHINED for W-RING	1		P5002763	

■ Standard for the mechanical seal and balanced cartridge seal construction. For packing construction - only 4 plugs, 1/4" are required
□ Used with standard Unitized EPR/Carbon/SiC seal. When seal other than standard is selected, see page 47 for proper quad ring selection

◄ Not used on cartridge seal

◇ QTY=2 for packing and cartridge seal

▼ See page 47 for optional mechanical seal selection

† Also used on packing and cartridge seal construction

▶ Pumps manufactured after Jan 2010 (Date Code A01) come standard with steel shafts and impeller keys

Factory Recommended Spare Parts

Note: To prevent premature seal failure or possible injury, the unitized mechanical seals should not be used as an alternate or substitute for the balanced cartridge seals installed in a high suction pressure rated VSX pump.

VSX - 10x12x13.5A

ITEM NO.	DESCRIPTION	QTY	PART NUMBER		
VOLUTE - VSX					
			STANDARD	250 FLANGE RATING	16BAR
14a	VOLUTE - VSC	1	P5001363	P5001365	P5001364
14b	VOLUTE - VSH	1	P5001064	P5001066	P5001065
14c	VOLUTE - VSCS	1	P5001367	P5001369	P5001368
COMMON VOLUTE PARTS					
23	VOLUTE GASKET	2		P5001083	
15	COVERPLATE, 2 NOTCH	1		P5001068	
16	COVERPLATE, 1 NOTCH	1		P5001071	
25	VOLUTE CAPSCREW	32		J92292	
30	PLUG SQUARE HEAD STEEL, 1/2"	3		J89453	
31	PLUG SQUARE HEAD CAST IRON, 1"	2		J89455	
32	PLUG SQUARE HEAD STEEL, 1/4"	7 [■]		P39040	
33	PLUG SQUARE HEAD STEEL, 3/4"	1		CP-711-509-006	
17	IMPELLER, BRONZE, 13.5"	1		P5001061	
18	SHAFT, 1045 STEEL	1 [▶]		P5003605	
18	SHAFT, 416 SST	1		P5001082	
19	IMPELLER KEY, C1018 STEEL	1 [▶]		P5003643	
19	IMPELLER KEY, 300 SRS SST	1		P5001288	
20	COUPLER KEY	1		P5001578	
COMMON PUMP PARTS - STANDARD CONSTRUCTION					
1	BEARING	2		P5001078	
2	BEARING BRACKET INBOARD	1		P5001074	
3	BEARING BRACKET OUTBOARD	1		P5001075	
26	BRACKET CAPSCREW	8		P5001032	
4	BEARING CAP	2		P5001077	
28	BEARING CAP CAPSCREW	8		P5001037	
5	LIP SEAL (INBOARD ONLY)	1		P5001092	
6	LIP SEAL	2		P5001091	
7	LOCKNUT	2		CP-819-111-209	
8	LOCKWASHER	2		CP-819-133-209	
9	QUAD RING - EPDM	2		P5001090 [◇]	
10	IMPELLER SLEEVE, 304 SST	2 [▶]		P5003570	
10	SHAFT SLEEVE, 304 SST	2		P5001079 [◄]	
29	SLEEVE SET SCREW	4		P5002217 [◄]	
11	WATER SLINGER	2		P5001260	
12	SNAP RING	4 [◊]		P5001094	
	GREASE FITTING	2		P70614	
UNITIZED MECHANICAL SEAL - STANDARD CONSTRUCTION					
21	SEAL, STANDARD UNITIZED	2		P5001891 [▼]	
22	SEAL GLAND	2		P5001081	
24	GLAND GASKET	2		P5001084 [†]	
27	GLAND CAPSCREW	8		CP-611-271-545 [†]	
PACKING CONSTRUCTION					
P21	PACKING RING, STD MATERIAL	10		P5001582	
P22	PACKING RING BOX	2		P5001088	
P23	GLAND HALF PACKING, 304 SST	4		P5001089	
P24	STUD, SST 3/8"	4		P5002401	
P25	WASHER, SST 3/8"	4		J91649	
P26	HEX NUT, SST 3/8"	4		J91659	
P27	LANTERN RING	2		P5001585	
BALANCED CARTRIDGE SEAL CONSTRUCTION					
C21	CARTRIDGE SEAL - CHOOSE BELOW:				
	EPR/ SiC/ SiC	2		P5001899	
	VITON/ SiC/ SiC	2		P5001900	
WEAR RING OPTIONS - COVERPLATE OR IMPELLER					
35	COVERPLATE WEAR RING (W-RING)	2		P5001096	
15a	COVERPLATE, 2 NOTCH - MACHINED for W-RING	1		P5001069	
16a	COVERPLATE, 1 NOTCH - MACHINED for W-RING	1		P5001072	
34	IMPELLER WEAR RING (W-RING)	2		P5001095	
17a	IMPELLER, BRONZE - MACHINED for W-RING	1		P5001062	

■ Standard for the mechanical seal and balanced cartridge seal construction. For packing construction - only 4 plugs, 1/4" are required
 □ Used with standard Unitized EPR/Carbon/SiC seal. When seal other than standard is selected, see page 47 for proper quad ring selection

◄ Not used on cartridge seal

◇ QTY=2 for packing and cartridge seal

▼ See page 47 for optional mechanical seal selection

† Also used on packing and cartridge seal construction

▶ Pumps manufactured after Jan 2010 (Date Code A01) come standard with steel shafts and impeller keys

Factory Recommended Spare Parts

Note: To prevent premature seal failure or possible injury, the unitized mechanical seals should not be used as an alternate or substitute for the balanced cartridge seals installed in a high suction pressure rated VSX pump.

VSX - 10x12x17.5A

ITEM NO.	DESCRIPTION	QTY	PART NUMBER		
VOLUTE - VSX					
			STANDARD	250 FLANGE RATING	16BAR
14a	VOLUTE - VSC	1	P5001777	P5001779	P5001778
14b	VOLUTE - VSH	1	P5001773	P5001775	P5001774
14c	VOLUTE - VSCS	1	P5001781	P5001783	P5001782
COMMON VOLUTE PARTS					
23	VOLUTE GASKET	2		P5001274	
15	COVERPLATE, 2 NOTCH	1		P5001770	
16	COVERPLATE, 1 NOTCH	1		P5001767	
25	VOLUTE CAPSCREW	36		DJ0617	
30	PLUG SQUARE HEAD STEEL, 1/2"	3		J89453	
31	PLUG SQUARE HEAD CAST IRON, 1"	2		J89455	
32	PLUG SQUARE HEAD STEEL, 1/4"	7 [■]		P39040	
33	PLUG SQUARE HEAD STEEL, 3/4"	1		CP-711-509-006	
17	IMPELLER, BRONZE, 17.5"	1		P5001764	
18	SHAFT, 1045 STEEL	1 [▶]		P5003606	
18	SHAFT, 416 SST	1		P5002427	
19	IMPELLER KEY, C1018 STEEL	1 [▶]		P5003644	
19	IMPELLER KEY, 300 SRS SST	1		P5001251	
20	COUPLER KEY	1		P5001579	
COMMON PUMP PARTS - STANDARD CONSTRUCTION					
1	BEARING	2		P5001244	
2	BEARING BRACKET INBOARD	1		P5001240	
3	BEARING BRACKET OUTBOARD	1		P5001241	
26	BRACKET CAPSCREW	8		P5001032	
4	BEARING CAP	2		P5001243	
28	BEARING CAP CAPSCREW	8		DJ0081	
5	LIP SEAL (INBOARD ONLY)	1		P5001257	
6	LIP SEAL	2		P5001256	
7	LOCKNUT	2		J92381	
8	LOCKWASHER	2		J92382	
9	QUAD RING - EPDM	2		P5001255 [□]	
10	IMPELLER SLEEVE, 304 SST	2 [▶]		P5003572	
10	SHAFT SLEEVE, 304 SST	2		P5001245 [◄]	
29	SLEEVE SET SCREW	4		P5002217 [◄]	
11	WATER SLINGER	2		P5001261	
12	SNAP RING	4 [◊]		P5001259	
	GREASE FITTING	2		P70614	
UNITIZED MECHANICAL SEAL - STANDARD CONSTRUCTION					
21	SEAL, STANDARD UNITIZED	2		P5001893 [▼]	
22	SEAL GLAND	2		P5001247	
24	GLAND GASKET	2		P5001250 [†]	
27	GLAND CAPSCREW	8		CP-611-271-545 [†]	
PACKING CONSTRUCTION					
P21	PACKING RING, STD MATERIAL	10		P5001583	
P22	PACKING RING BOX	2		P5001253	
P23	GLAND HALF PACKING, 304 SST	4		P5001254	
P24	STUD, SST 3/8"	4		P5002401	
P25	WASHER, SST 3/8"	4		J91649	
P26	HEX NUT, SST 3/8"	4		J91659	
P27	LANTERN RING	2		P5001586	
BALANCED CARTRIDGE SEAL CONSTRUCTION					
C21	CARTRIDGE SEAL - CHOOSE BELOW:				
	EPR/ SiC/ SiC	2		P5001901	
	VITON/ SiC/ SiC	2		P5001902	
WEAR RING OPTIONS - COVERPLATE OR IMPELLER					
35	COVERPLATE WEAR RING (W-RING)	2		P5001787	
15a	COVERPLATE, 2 NOTCH - MACHINED for W-RING	1		P5001771	
16a	COVERPLATE, 1 NOTCH - MACHINED for W-RING	1		P5001768	
34	IMPELLER WEAR RING (W-RING)	2		P5001786	
17a	IMPELLER, BRONZE - MACHINED for W-RING	1		P5001765	

- Standard for the mechanical seal and balanced cartridge seal construction. For packing construction - only 4 plugs, 1/4" are required
- Used with standard Unitized EPR/Carbon/SiC seal. When seal other than standard is selected, see page 47 for proper quad ring selection
- ◄ Not used on cartridge seal
- ◊ QTY=2 for packing and cartridge seal
- ▼ See page 47 for optional mechanical seal selection
- † Also used on packing and cartridge seal construction
- ▶ Pumps manufactured after Jan 2010 (Date Code A01) come standard with steel shafts and impeller keys

Factory Recommended Spare Parts

Note: To prevent premature seal failure or possible injury, the unitized mechanical seals should not be used as an alternate or substitute for the balanced cartridge seals installed in a high suction pressure rated VSX pump.

VSX - 10x12x17.5B

ITEM NO.	DESCRIPTION	QTY	PART NUMBER		
VOLUTE - VSX					
			STANDARD	250 FLANGE RATING	16BAR
14a	VOLUTE - VSC	1	P5001777	P5001779	P5001778
14b	VOLUTE - VSH	1	P5001773	P5001775	P5001774
14c	VOLUTE - VSCS	1	P5001781	P5001783	P5001782
COMMON VOLUTE PARTS					
23	VOLUTE GASKET	2		P5001274	
15	COVERPLATE, 2 NOTCH	1		P5001770	
16	COVERPLATE, 1 NOTCH	1		P5001767	
25	VOLUTE CAPSCREW	36		DJ0617	
30	PLUG SQUARE HEAD STEEL, 1/2"	3		J89453	
31	PLUG SQUARE HEAD CAST IRON, 1"	2		J89455	
32	PLUG SQUARE HEAD STEEL, 1/4"	7 [■]		P39040	
33	PLUG SQUARE HEAD STEEL, 3/4"	1		CP-711-509-006	
17	IMPELLER, BRONZE, 17.5"	1		P5003178	
18	SHAFT, 1045 STEEL	1 [▶]		P5003606	
18	SHAFT, 416 SST	1		P5002427	
19	IMPELLER KEY, C1018 STEEL	1 [▶]		P5003644	
19	IMPELLER KEY, 300 SRS SST	1		P5001251	
20	COUPLER KEY	1		P5001579	
COMMON PUMP PARTS - STANDARD CONSTRUCTION					
1	BEARING	2		P5001244	
2	BEARING BRACKET INBOARD	1		P5001240	
3	BEARING BRACKET OUTBOARD	1		P5001241	
26	BRACKET CAPSCREW	8		P5001032	
4	BEARING CAP	2		P5001243	
28	BEARING CAP CAPSCREW	8		DJ0081	
5	LIP SEAL (INBOARD ONLY)	1		P5001257	
6	LIP SEAL	2		P5001256	
7	LOCKNUT	2		J92381	
8	LOCKWASHER	2		J92382	
9	QUAD RING - EPDM	2		P5001255 [□]	
10	IMPELLER SLEEVE, 304 SST	2 [▶]		P5003572	
10	SHAFT SLEEVE, 304 SST	2		P5001245 [◄]	
29	SLEEVE SET SCREW	4		P5002217 [◄]	
11	WATER SLINGER	2		P5001261	
12	SNAP RING	4 [◊]		P5001259	
	GREASE FITTING	2		P70614	
UNITIZED MECHANICAL SEAL - STANDARD CONSTRUCTION					
21	SEAL, STANDARD UNITIZED	2		P5001893 [▼]	
22	SEAL GLAND	2		P5001247	
24	GLAND GASKET	2		P5001250 [†]	
27	GLAND CAPSCREW	8		CP-611-271-545 [†]	
PACKING CONSTRUCTION					
P21	PACKING RING, STD MATERIAL	10		P5001583	
P22	PACKING RING BOX	2		P5001253	
P23	GLAND HALF PACKING, 304 SST	4		P5001254	
P24	STUD, SST 3/8"	4		P5002401	
P25	WASHER, SST 3/8"	4		J91649	
P26	HEX NUT, SST 3/8"	4		J91659	
P27	LANTERN RING	2		P5001586	
BALANCED CARTRIDGE SEAL CONSTRUCTION					
C21	CARTRIDGE SEAL - CHOOSE BELOW:				
	EPR/ SiC/ SiC	2		P5001901	
	VITON/ SiC/ SiC	2		P5001902	
WEAR RING OPTIONS - COVERPLATE OR IMPELLER					
35	COVERPLATE WEAR RING (W-RING)	2		P5001787	
15a	COVERPLATE, 2 NOTCH - MACHINED for W-RING	1		P5001771	
16a	COVERPLATE, 1 NOTCH - MACHINED for W-RING	1		P5001768	
34	IMPELLER WEAR RING (W-RING)	2		P5001786	
17a	IMPELLER, BRONZE - MACHINED for W-RING	1		P5003179	

- Standard for the mechanical seal and balanced cartridge seal construction. For packing construction - only 4 plugs, 1/4" are required
- Used with standard Unitized EPR/Carbon/SiC seal. When seal other than standard is selected, see page 47 for proper quad ring selection
- ◄ Not used on cartridge seal
- ◊ QTY=2 for packing and cartridge seal
- ▼ See page 47 for optional mechanical seal selection
- † Also used on packing and cartridge seal construction
- ▶ Pumps manufactured after Jan 2010 (Date Code A01) come standard with steel shafts and impeller keys

Factory Recommended Spare Parts

Note: To prevent premature seal failure or possible injury, the unitized mechanical seals should not be used as an alternate or substitute for the balanced cartridge seals installed in a high suction pressure rated VSX pump.

VSX - 10x12x22A

ITEM NO.	DESCRIPTION	QTY	PART NUMBER		
VOLUTE - VSX					
			STANDARD	250 FLANGE RATING	16BAR
14a	VOLUTE - VSC	1	P5001919	P5001921	P5001920
14b	VOLUTE - VSH	1	P5001915	P5001917	P5001916
14c	VOLUTE - VSCS	1	P5001923	P5001925	P5001924
COMMON VOLUTE PARTS					
23	VOLUTE GASKET	2	P5002474		
15	COVERPLATE, 2 NOTCH	1	P5001912		
16	COVERPLATE, 1 NOTCH	1	P5001909		
25	VOLUTE CAPSCREW	36	P5002734		
30	PLUG SQUARE HEAD STEEL, 1/2"	3	J89453		
31	PLUG SQUARE HEAD CAST IRON, 1"	2	J89455		
32	PLUG SQUARE HEAD STEEL, 1/4"	7 [■]	P39040		
33	PLUG SQUARE HEAD STEEL, 3/4"	1	CP-711-509-006		
17	IMPELLER, BRONZE, 22"	1	P5001906		
18	SHAFT, 1045 STEEL	1 [▶]	P5003609		
18	SHAFT, 416 SST	1	P5002475		
19	IMPELLER KEY, C1018 STEEL	1 [▶]	P5003645		
19	IMPELLER KEY, 300 SRS SST	1	P5001276		
20	COUPLER KEY	1	P5001580		
COMMON PUMP PARTS - STANDARD CONSTRUCTION					
1	BEARING	2	P5001269		
2	BEARING BRACKET INBOARD	1	P5001265		
3	BEARING BRACKET OUTBOARD	1	P5001266		
26	BRACKET CAPSCREW	8	P5001032		
4	BEARING CAP	2	P5001268		
28	BEARING CAP CAPSCREW	8	P44250		
5	LIP SEAL (INBOARD ONLY)	1	P5001282		
6	LIP SEAL	2	P5001281		
7	LOCKNUT	2	J92378		
8	LOCKWASHER	2	J92377		
9	QUAD RING - EPDM	2	P5001280 [□]		
10	IMPELLER SLEEVE, 304 SST	2 [▶]	P5003578		
10	SHAFT SLEEVE, 304 SST	2	P5001270 [◄]		
29	SLEEVE SET SCREW	4	P5002217 [◄]		
11	WATER SLINGER	2	P5001284		
12	SNAP RING	4 [◊]	P5001283		
	GREASE FITTING	2	P70614		
UNITIZED MECHANICAL SEAL - STANDARD CONSTRUCTION					
21	SEAL, STANDARD UNITIZED	2	P5001895 [▼]		
22	SEAL GLAND	2	P5001272		
24	GLAND GASKET	2	P5001275 [†]		
27	GLAND CAPSCREW	8	CP-611-271-545 [†]		
PACKING CONSTRUCTION					
P21	PACKING RING, STD MATERIAL	10	P5001584		
P22	PACKING RING BOX	2	P5001278		
P23	GLAND HALF PACKING, 304 SST	4	P5001279		
P24	STUD, SST 3/8"	4	P5002402		
P25	WASHER, SST 3/8"	4	J91649		
P26	HEX NUT, SST 3/8"	4	J91659		
P27	LANTERN RING	2	P5001587		
BALANCED CARTRIDGE SEAL CONSTRUCTION					
C21	CARTRIDGE SEAL - CHOOSE BELOW:				
	EPR/ SiC/ SiC	2	P5001903		
	VITON/ SiC/ SiC	2	P5001904		
WEAR RING OPTIONS - COVERPLATE OR IMPELLER					
35	COVERPLATE WEAR RING (W-RING)	2	P5001096		
15a	COVERPLATE, 2 NOTCH - MACHINED for W-RING	1	P5001913		
16a	COVERPLATE, 1 NOTCH - MACHINED for W-RING	1	P5001910		
34	IMPELLER WEAR RING (W-RING)	2	P5001095		
17a	IMPELLER, BRONZE - MACHINED for W-RING	1	P5001907		

■ Standard for the mechanical seal and balanced cartridge seal construction. For packing construction - only 4 plugs, 1/4" are required
□ Used with standard Unitized EPR/Carbon/SiC seal. When seal other than standard is selected, see page 47 for proper quad ring selection

◄ Not used on cartridge seal

◊ QTY=2 for packing and cartridge seal

▼ See page 47 for optional mechanical seal selection

† Also used on packing and cartridge seal construction

▶ Pumps manufactured after Jan 2010 (Date Code A01) come standard with steel shafts and impeller keys

Factory Recommended Spare Parts

Note: To prevent premature seal failure or possible injury, the unitized mechanical seals should not be used as an alternate or substitute for the balanced cartridge seals installed in a high suction pressure rated VSX pump.

VSX - 12x14x13.5A

ITEM NO.	DESCRIPTION	QTY	PART NUMBER		
VOLUTE - VSX					
			STANDARD	250 FLANGE RATING	16BAR
14a	VOLUTE - VSC	1	P5001371	P5001373	P5001372
14b	VOLUTE - VSH	1	P5001209	P5001211	P5001210
14c	VOLUTE - VSCS	1	P5001375	P5001377	P5001376
COMMON VOLUTE PARTS					
23	VOLUTE GASKET	2		P5001083	
15	COVERPLATE, 2 NOTCH	1		P5001216	
16	COVERPLATE, 1 NOTCH	1		P5001213	
25	VOLUTE CAPSCREW	32		J92292	
30	PLUG SQUARE HEAD STEEL, 1/2"	3		J89453	
31	PLUG SQUARE HEAD CAST IRON, 1"	2		J89455	
32	PLUG SQUARE HEAD STEEL, 1/4"	7 [■]		P39040	
33	PLUG SQUARE HEAD STEEL, 3/4"	1		CP-711-509-006	
17	IMPELLER, BRONZE, 13.5"	1		P5001206	
18	SHAFT, 1045 STEEL	1 [▶]		P5003607	
18	SHAFT, 416 SST	1		P5001289	
19	IMPELLER KEY, C1018 STEEL	1 [▶]		P5003644	
19	IMPELLER KEY, 300 SRS SST	1		P5001251	
20	COUPLER KEY	1		P5001579	
COMMON PUMP PARTS - STANDARD CONSTRUCTION					
1	BEARING	2		P5001244	
2	BEARING BRACKET INBOARD	1		P5001240	
3	BEARING BRACKET OUTBOARD	1		P5001241	
26	BRACKET CAPSCREW	8		P5001032	
4	BEARING CAP	2		P5001243	
28	BEARING CAP CAPSCREW	8		DJ0081	
5	LIP SEAL (INBOARD ONLY)	1		P5001257	
6	LIP SEAL	2		P5001256	
7	LOCKNUT	2		J92381	
8	LOCKWASHER	2		J92382	
9	QUAD RING - EPDM	2		P5001255 [□]	
10	IMPELLER SLEEVE, 304 SST	2 [▶]		P5003574	
10	SHAFT SLEEVE, 304 SST	2		P5001245 [◄]	
29	SLEEVE SET SCREW	4		P5002217 [◄]	
11	WATER SLINGER	2		P5001261	
12	SNAP RING	4 [°]		P5001259	
	GREASE FITTING	2		P70614	
UNITIZED MECHANICAL SEAL - STANDARD CONSTRUCTION					
21	SEAL, STANDARD UNITIZED	2		P5001893 [▼]	
22	SEAL GLAND	2		P5001247	
24	GLAND GASKET	2		P5001250 [†]	
27	GLAND CAPSCREW	8		CP-611-271-545 [†]	
PACKING CONSTRUCTION					
P21	PACKING RING, STD MATERIAL	10		P5001583	
P22	PACKING RING BOX	2		P5001253	
P23	GLAND HALF PACKING, 304 SST	4		P5001254	
P24	STUD, SST 3/8"	4		P5002401	
P25	WASHER, SST 3/8"	4		J91649	
P26	HEX NUT, SST 3/8"	4		J91659	
P27	LANTERN RING	2		P5001586	
BALANCED CARTRIDGE SEAL CONSTRUCTION					
C21	CARTRIDGE SEAL - CHOOSE BELOW:				
	EPR/ SiC/ SiC	2		P5001901	
	VITON/ SiC/ SiC	2		P5001902	
WEAR RING OPTIONS - COVERPLATE OR IMPELLER					
35	COVERPLATE WEAR RING (W-RING)	2		P5001219	
15a	COVERPLATE, 2 NOTCH - MACHINED for W-RING	1		P5001217	
16a	COVERPLATE, 1 NOTCH - MACHINED for W-RING	1		P5001214	
34	IMPELLER WEAR RING (W-RING)	2		P5001218	
17a	IMPELLER, BRONZE - MACHINED for W-RING	1		P5001207	

■ Standard for the mechanical seal and balanced cartridge seal construction. For packing construction - only 4 plugs, 1/4" are required
□ Used with standard Unitized EPR/Carbon/SiC seal. When seal other than standard is selected, see page 47 for proper quad ring selection

◄ Not used on cartridge seal

◇ QTY=2 for packing and cartridge seal

▼ See page 47 for optional mechanical seal selection

† Also used on packing and cartridge seal construction

▶ Pumps manufactured after Jan 2010 (Date Code A01) come standard with steel shafts and impeller keys

Factory Recommended Spare Parts

Note: To prevent premature seal failure or possible injury, the unitized mechanical seals should not be used as an alternate or substitute for the balanced cartridge seals installed in a high suction pressure rated VSX pump.

VSX - 12x14x14A

ITEM NO.	DESCRIPTION	QTY	PART NUMBER		
VOLUTE - VSX					
			STANDARD	250 FLANGE RATING	16BAR
14a	VOLUTE - VSC	1	P5002812	P5002814	P5002813
14b	VOLUTE - VSH	1	P5002801	P5002803	P5002802
14c	VOLUTE - VSCS	1	P5002817	P5002819	P5002818
COMMON VOLUTE PARTS					
23	VOLUTE GASKET	2		P5001083	
15	COVERPLATE, 2 NOTCH	1		P5002809	
16	COVERPLATE, 1 NOTCH	1		P5002806	
25	VOLUTE CAPSCREW	32		J92292	
30	PLUG SQUARE HEAD STEEL, 1/2"	3		J89453	
31	PLUG SQUARE HEAD CAST IRON, 1"	2		J89455	
32	PLUG SQUARE HEAD STEEL, 1/4"	7 [■]		P39040	
33	PLUG SQUARE HEAD STEEL, 3/4"	1		CP-711-509-006	
17	IMPELLER, BRONZE, 14.1"	1		P5002723	
18	SHAFT, 1045 STEEL	1 [▶]		P5003607	
18	SHAFT, 416 SST	1		P5001289	
19	IMPELLER KEY, C1018 STEEL	1 [▶]		P5003644	
19	IMPELLER KEY, 300 SRS SST	1		P5001251	
20	COUPLER KEY	1		P5001579	
COMMON PUMP PARTS - STANDARD CONSTRUCTION					
1	BEARING	2		P5001244	
2	BEARING BRACKET INBOARD	1		P5001240	
3	BEARING BRACKET OUTBOARD	1		P5001241	
26	BRACKET CAPSCREW	8		P5001032	
4	BEARING CAP	2		P5001243	
28	BEARING CAP CAPSCREW	8		DJ0081	
5	LIP SEAL (INBOARD ONLY)	1		P5001257	
6	LIP SEAL	2		P5001256	
7	LOCKNUT	2		J92381	
8	LOCKWASHER	2		J92382	
9	QUAD RING - EPDM	2		P5001255 [□]	
10	IMPELLER SLEEVE, 304 SST	2 [▶]		P5003574	
10	SHAFT SLEEVE, 304 SST	2		P5001245 [◄]	
29	SLEEVE SET SCREW	4		P5002217 [◄]	
11	WATER SLINGER	2		P5001261	
12	SNAP RING	4 [◊]		P5001259	
	GREASE FITTING	2		P70614	
UNITIZED MECHANICAL SEAL - STANDARD CONSTRUCTION					
21	SEAL, STANDARD UNITIZED	2		P5001893 [▼]	
22	SEAL GLAND	2		P5001247	
24	GLAND GASKET	2		P5001250 [†]	
27	GLAND CAPSCREW	8		CP-611-271-545 [†]	
PACKING CONSTRUCTION					
P21	PACKING RING, STD MATERIAL	10		P5001583	
P22	PACKING RING BOX	2		P5001253	
P23	GLAND HALF PACKING, 304 SST	4		P5001254	
P24	STUD, SST 3/8"	4		P5002401	
P25	WASHER, SST 3/8"	4		J91649	
P26	HEX NUT, SST 3/8"	4		J91659	
P27	LANTERN RING	2		P5001586	
BALANCED CARTRIDGE SEAL CONSTRUCTION					
C21	CARTRIDGE SEAL - CHOOSE BELOW:				
	EPR/ SiC/ SiC	2		P5001901	
	VITON/ SiC/ SiC	2		P5001902	
WEAR RING OPTIONS - COVERPLATE OR IMPELLER					
35	COVERPLATE WEAR RING (W-RING)	2		P5001219	
15a	COVERPLATE, 2 NOTCH - MACHINED for W-RING	1		P5002810	
16a	COVERPLATE, 1 NOTCH - MACHINED for W-RING	1		P5002807	
34	IMPELLER WEAR RING (W-RING)	2		P5001218	
17a	IMPELLER, BRONZE - MACHINED for W-RING	1		P5002724	

■ Standard for the mechanical seal and balanced cartridge seal construction. For packing construction - only 4 plugs, 1/4" are required
□ Used with standard Unitized EPR/Carbon/SiC seal. When seal other than standard is selected, see page 47 for proper quad ring selection

◄ Not used on cartridge seal

◊ QTY=2 for packing and cartridge seal

▼ See page 47 for optional mechanical seal selection

† Also used on packing and cartridge seal construction

▶ Pumps manufactured after Jan 2010 (Date Code A01) come standard with steel shafts and impeller keys

Factory Recommended Spare Parts

Note: To prevent premature seal failure or possible injury, the unitized mechanical seals should not be used as an alternate or substitute for the balanced cartridge seals installed in a high suction pressure rated VSX pump.

VSX - 12x14x17.5A

ITEM NO.	DESCRIPTION	QTY	PART NUMBER		
VOLUTE - VSX					
			STANDARD	250 FLANGE RATING	16BAR
14a	VOLUTE - VSC	1	P5001379	P5001381	P5001380
14b	VOLUTE - VSH	1	P5001224	P5001226	P5001225
14c	VOLUTE - VSCS	1	P5001383	P5001385	P5001384
COMMON VOLUTE PARTS					
23	VOLUTE GASKET	2		P5001274	
15	COVERPLATE, 2 NOTCH	1		P5001231	
16	COVERPLATE, 1 NOTCH	1		P5001228	
25	VOLUTE CAPSCREW	32		J66780	
30	PLUG SQUARE HEAD STEEL, 1/2"	3		J89453	
31	PLUG SQUARE HEAD CAST IRON, 1"	2		J89455	
32	PLUG SQUARE HEAD STEEL, 1/4"	7 [■]		P39040	
33	PLUG SQUARE HEAD STEEL, 3/4"	1		CP-711-509-006	
17	IMPELLER, BRONZE, 17.5"	1		P5001221	
18	SHAFT, 1045 STEEL	1 [▶]		P5003610	
18	SHAFT, 416 SST	1		P5001273	
19	IMPELLER KEY, C1018 STEEL	1 [▶]		P5003645	
19	IMPELLER KEY, 300 SRS SST	1		P5001276	
20	COUPLER KEY	1		P5001580	
COMMON PUMP PARTS - STANDARD CONSTRUCTION					
1	BEARING	2		P5001269	
2	BEARING BRACKET INBOARD	1		P5001265	
3	BEARING BRACKET OUTBOARD	1		P5001266	
26	BRACKET CAPSCREW	8		P5001032	
4	BEARING CAP	2		P5001268	
28	BEARING CAP CAPSCREW	8		P44250	
5	LIP SEAL (INBOARD ONLY)	1		P5001282	
6	LIP SEAL	2		P5001281	
7	LOCKNUT	2		J92378	
8	LOCKWASHER	2		J92377	
9	QUAD RING - EPDM	2		P5001280 [□]	
10	IMPELLER SLEEVE, 304 SST	2 [▶]		P5003580	
10	SHAFT SLEEVE, 304 SST	2		P5001270 [◄]	
29	SLEEVE SET SCREW	4		P5002217 [◄]	
11	WATER SLINGER	2		P5001284	
12	SNAP RING	4 [°]		P5001283	
	GREASE FITTING	2		P70614	
UNITIZED MECHANICAL SEAL - STANDARD CONSTRUCTION					
21	SEAL, STANDARD UNITIZED	2		P5001895 [▼]	
22	SEAL GLAND	2		P5001272	
24	GLAND GASKET	2		P5001275 [†]	
27	GLAND CAPSCREW	8		CP-611-271-545 [†]	
PACKING CONSTRUCTION					
P21	PACKING RING, STD MATERIAL	10		P5001584	
P22	PACKING RING BOX	2		P5001278	
P23	GLAND HALF PACKING, 304 SST	4		P5001279	
P24	STUD, SST 3/8"	4		P5002402	
P25	WASHER, SST 3/8"	4		J91649	
P26	HEX NUT, SST 3/8"	4		J91659	
P27	LANTERN RING	2		P5001587	
BALANCED CARTRIDGE SEAL CONSTRUCTION					
C21	CARTRIDGE SEAL - CHOOSE BELOW:				
	EPR/ SiC/ SiC	2		P5001903	
	VITON/ SiC/ SiC	2		P5001904	
WEAR RING OPTIONS - COVERPLATE OR IMPELLER					
35	COVERPLATE WEAR RING (W-RING)	2		P5001234	
15a	COVERPLATE, 2 NOTCH - MACHINED for W-RING	1		P5001232	
16a	COVERPLATE, 1 NOTCH - MACHINED for W-RING	1		P5001229	
34	IMPELLER WEAR RING (W-RING)	2		P5001233	
17a	IMPELLER, BRONZE - MACHINED for W-RING	1		P5001222	

- Standard for the mechanical seal and balanced cartridge seal construction. For packing construction - only 4 plugs, 1/4" are required
- Used with standard Unitized EPR/Carbon/SiC seal. When seal other than standard is selected, see page 47 for proper quad ring selection
- ◄ Not used on cartridge seal
- ◇ QTY=2 for packing and cartridge seal
- ▼ See page 47 for optional mechanical seal selection
- † Also used on packing and cartridge seal construction
- ▶ Pumps manufactured after Jan 2010 (Date Code A01) come standard with steel shafts and impeller keys

Factory Recommended Spare Parts

Note: To prevent premature seal failure or possible injury, the unitized mechanical seals should not be used as an alternate or substitute for the balanced cartridge seals installed in a high suction pressure rated VSX pump.

VSX - 12x14x17.5B

ITEM NO.	DESCRIPTION	QTY	PART NUMBER		
VOLUTE - VSX					
			STANDARD	250 FLANGE RATING	16BAR
14a	VOLUTE - VSC	1	P5001379	P5001381	P5001380
14b	VOLUTE - VSH	1	P5001224	P5001226	P5001225
14c	VOLUTE - VSCS	1	P5001383	P5001385	P5001384
COMMON VOLUTE PARTS					
23	VOLUTE GASKET	2		P5001274	
15	COVERPLATE, 2 NOTCH	1		P5001231	
16	COVERPLATE, 1 NOTCH	1		P5001228	
25	VOLUTE CAPSCREW	32		J66780	
30	PLUG SQUARE HEAD STEEL, 1/2"	3		J89453	
31	PLUG SQUARE HEAD CAST IRON, 1"	2		J89455	
32	PLUG SQUARE HEAD STEEL, 1/4"	7 [■]		P39040	
33	PLUG SQUARE HEAD STEEL, 3/4"	1		CP-711-509-006	
17	IMPELLER, BRONZE, 17.5"	1		P5002509	
18	SHAFT, 1045 STEEL	1 [▶]		P5003610	
18	SHAFT, 416 SST	1		P5001273	
19	IMPELLER KEY, C1018 STEEL	1 [▶]		P5003645	
19	IMPELLER KEY, 300 SRS SST	1		P5001276	
20	COUPLER KEY	1		P5001580	
COMMON PUMP PARTS - STANDARD CONSTRUCTION					
1	BEARING	2		P5001269	
2	BEARING BRACKET INBOARD	1		P5001265	
3	BEARING BRACKET OUTBOARD	1		P5001266	
26	BRACKET CAPSCREW	8		P5001032	
4	BEARING CAP	2		P5001268	
28	BEARING CAP CAPSCREW	8		P44250	
5	LIP SEAL (INBOARD ONLY)	1		P5001282	
6	LIP SEAL	2		P5001281	
7	LOCKNUT	2		J92378	
8	LOCKWASHER	2		J92377	
9	QUAD RING - EPDM	2		P5001280 [□]	
10	IMPELLER SLEEVE, 304 SST	2 [▶]		P5003580	
10	SHAFT SLEEVE, 304 SST	2		P5001270 [◄]	
29	SLEEVE SET SCREW	4		P5002217 [◄]	
11	WATER SLINGER	2		P5001284	
12	SNAP RING	4 [°]		P5001283	
	GREASE FITTING	2		P70614	
UNITIZED MECHANICAL SEAL - STANDARD CONSTRUCTION					
21	SEAL, STANDARD UNITIZED	2		P5001895 [▼]	
22	SEAL GLAND	2		P5001272	
24	GLAND GASKET	2		P5001275 [†]	
27	GLAND CAPSCREW	8		CP-611-271-545 [†]	
PACKING CONSTRUCTION					
P21	PACKING RING, STD MATERIAL	10		P5001584	
P22	PACKING RING BOX	2		P5001278	
P23	GLAND HALF PACKING, 304 SST	4		P5001279	
P24	STUD, SST 3/8"	4		P5002402	
P25	WASHER, SST 3/8"	4		J91649	
P26	HEX NUT, SST 3/8"	4		J91659	
P27	LANTERN RING	2		P5001587	
BALANCED CARTRIDGE SEAL CONSTRUCTION					
C21	CARTRIDGE SEAL - CHOOSE BELOW:				
	EPR/ SiC/ SiC	2		P5001903	
	VITON/ SiC/ SiC	2		P5001904	
WEAR RING OPTIONS - COVERPLATE OR IMPELLER					
35	COVERPLATE WEAR RING (W-RING)	2		P5001234	
15a	COVERPLATE, 2 NOTCH - MACHINED for W-RING	1		P5001232	
16a	COVERPLATE, 1 NOTCH - MACHINED for W-RING	1		P5001229	
34	IMPELLER WEAR RING (W-RING)	2		P5001233	
17a	IMPELLER, BRONZE - MACHINED for W-RING	1		P5002510	

■ Standard for the mechanical seal and balanced cartridge seal construction. For packing construction - only 4 plugs, 1/4" are required
□ Used with standard Unitized EPR/Carbon/SiC seal. When seal other than standard is selected, see page 47 for proper quad ring selection

◄ Not used on cartridge seal

◇ QTY=2 for packing and cartridge seal

▼ See page 47 for optional mechanical seal selection

† Also used on packing and cartridge seal construction

▶ Pumps manufactured after Jan 2010 (Date Code A01) come standard with steel shafts and impeller keys

Factory Recommended Spare Parts

Note: To prevent premature seal failure or possible injury, the unitized mechanical seals should not be used as an alternate or substitute for the balanced cartridge seals installed in a high suction pressure rated VSX pump.

VSX - 12x14x22A

ITEM NO.	DESCRIPTION	QTY	PART NUMBER		
VOLUTE - VSX					
			STANDARD	250 FLANGE RATING	16BAR
14a	VOLUTE - VSC	1	P5002039	P5002041	P5002040
14b	VOLUTE - VSH	1	P5002035	P5002037	P5002036
14c	VOLUTE - VSCS	1	P5002043	P5002045	P5002044
COMMON VOLUTE PARTS					
23	VOLUTE GASKET	2	P5001967		
15	COVERPLATE, 2 NOTCH	1	P5002032		
16	COVERPLATE, 1 NOTCH	1	P5002029		
25	VOLUTE CAPSCREW	40	P5001969		
30	PLUG SQUARE HEAD STEEL, 1/2"	3	J89453		
31	PLUG SQUARE HEAD CAST IRON, 1"	2	J89455		
32	PLUG SQUARE HEAD STEEL, 1/4"	7	P39040		
33	PLUG SQUARE HEAD STEEL, 3/4"	1	CP-711-509-006		
17	IMPELLER, BRONZE, 22"	1	P5002026		
18	SHAFT, 416 SST	1	P5001957		
19	IMPELLER KEY, 300 SRS SST	1	P5002604		
20	COUPLER KEY	1	P5003405		
COMMON PUMP PARTS - STANDARD CONSTRUCTION					
1	BEARING	2	P5001954		
2	BEARING BRACKET INBOARD	1	P5001947		
3	BEARING BRACKET OUTBOARD	1	P5001948		
26	BRACKET CAPSCREW	8	P5001032		
4	BEARING CAP	2	P5001959		
28	BEARING CAP CAPSCREW	8	P44250		
5	LIP SEAL (INBOARD ONLY)	1	P5001962		
6	LIP SEAL	2	P5001960		
7	LOCKNUT	2	P5001955		
8	LOCKWASHER	2	P5001956		
9	QUAD RING - EPDM	2	P5001970		
11	WATER SLINGER	2	P5001968		
	GREASE FITTING	2	P70614		
BALANCED CARTRIDGE SEAL CONSTRUCTION					
C21	CARTRIDGE SEAL - EPR/ SiC/ SiC	2	P5001963		
24	GLAND GASKET	2	P5002546		
27	GLAND CAPSCREW	16	P5002605		
WEAR RING OPTIONS - COVERPLATE OR IMPELLER					
35	COVERPLATE WEAR RING (W-RING)	2	P5002587		
15a	COVERPLATE, 2 NOTCH - MACHINED for W-RING	1	P5002033		
16a	COVERPLATE, 1 NOTCH - MACHINED for W-RING	1	P5002030		
34	IMPELLER WEAR RING (W-RING)	2	P5002586		
17a	IMPELLER, BRONZE - MACHINED for W-RING	1	P5002027		

 Factory Recommended Spare Parts

Note: To prevent premature seal failure or possible injury, the unitized mechanical seals should not be used as an alternate or substitute for the balanced cartridge seals installed in a high suction pressure rated VSX pump.

VSX - 14x16x13.5B

ITEM NO.	DESCRIPTION	QTY	PART NUMBER		
VOLUTE - VSX					
			STANDARD	250 FLANGE RATING	16BAR
14a	VOLUTE - VSC	1	P5001399	P5001401	P5001400
14b	VOLUTE - VSH	1	P5001166	P5001168	P5001167
14c	VOLUTE - VSCS	1	P5001403	P5001405	P5001404
COMMON VOLUTE PARTS					
23	VOLUTE GASKET	2		P5001592	
15	COVERPLATE, 2 NOTCH	1		P5001173	
16	COVERPLATE, 1 NOTCH	1		P5001170	
25	VOLUTE CAPSCREW	36		J92292	
30	PLUG SQUARE HEAD STEEL, 1/2"	3		J89453	
31	PLUG SQUARE HEAD CAST IRON, 1"	2		J89455	
32	PLUG SQUARE HEAD STEEL, 1/4"	7 [■]		P39040	
33	PLUG SQUARE HEAD STEEL, 3/4"	1		CP-711-509-006	
17	IMPELLER, BRONZE, 13.5"	1		P5001163	
18	SHAFT, 1045 STEEL	1 [▶]		P5003608	
18	SHAFT, 416 SST	1		P5001248	
19	IMPELLER KEY, C1018 STEEL	1 [▶]		P5003644	
19	IMPELLER KEY, 300 SRS SST	1		P5001251	
20	COUPLER KEY	1		P5001579	
COMMON PUMP PARTS - STANDARD CONSTRUCTION					
1	BEARING	2		P5001244	
2	BEARING BRACKET INBOARD	1		P5001240	
3	BEARING BRACKET OUTBOARD	1		P5001241	
26	BRACKET CAPSCREW	8		P5001032	
4	BEARING CAP	2		P5001243	
28	BEARING CAP CAPSCREW	8		DJ0081	
5	LIP SEAL (INBOARD ONLY)	1		P5001257	
6	LIP SEAL	2		P5001256	
7	LOCKNUT	2		J92381	
8	LOCKWASHER	2		J92382	
9	QUAD RING - EPDM	2		P5001255 [□]	
10	IMPELLER SLEEVE, 304 SST	2 [▶]		P5003576	
10	SHAFT SLEEVE, 304 SST	2		P5001245 [◊]	
29	SLEEVE SET SCREW	4		P5002217 [◊]	
11	WATER SLINGER	2		P5001261	
12	SNAP RING	4 [°]		P5001259	
	GREASE FITTING	2		P70614	
UNITIZED MECHANICAL SEAL - STANDARD CONSTRUCTION					
21	SEAL, STANDARD UNITIZED	2		P5001893 [▼]	
22	SEAL GLAND	2		P5001247	
24	GLAND GASKET	2		P5001250 [†]	
27	GLAND CAPSCREW	8		CP-611-271-545 [†]	
PACKING CONSTRUCTION					
P21	PACKING RING, STD MATERIAL	10		P5001583	
P22	PACKING RING BOX	2		P5001253	
P23	GLAND HALF PACKING, 304 SST	4		P5001254	
P24	STUD, SST 3/8"	4		P5002401	
P25	WASHER, SST 3/8"	4		J91649	
P26	HEX NUT, SST 3/8"	4		J91659	
P27	LANTERN RING	2		P5001586	
BALANCED CARTRIDGE SEAL CONSTRUCTION					
C21	CARTRIDGE SEAL - CHOOSE BELOW:				
	EPR/ SiC/ SiC	2		P5001901	
	VITON/ SiC/ SiC	2		P5001902	
WEAR RING OPTIONS - COVERPLATE OR IMPELLER					
35	COVERPLATE WEAR RING (W-RING)	2		P5001176	
15a	COVERPLATE, 2 NOTCH - MACHINED for W-RING	1		P5001174	
16a	COVERPLATE, 1 NOTCH - MACHINED for W-RING	1		P5001171	
34	IMPELLER WEAR RING (W-RING)	2		P5001175	
17a	IMPELLER, BRONZE - MACHINED for W-RING	1		P5001164	

■ Standard for the mechanical seal and balanced cartridge seal construction. For packing construction - only 4 plugs, 1/4" are required
□ Used with standard Unitized EPR/Carbon/SiC seal. When seal other than standard is selected, see page 47 for proper quad ring selection

◄ Not used on cartridge seal

◊ QTY=2 for packing and cartridge seal

▼ See page 47 for optional mechanical seal selection

† Also used on packing and cartridge seal construction

▶ Pumps manufactured after Jan 2010 (Date Code A01) come standard with steel shafts and impeller keys

Factory Recommended Spare Parts

Note: To prevent premature seal failure or possible injury, the unitized mechanical seals should not be used as an alternate or substitute for the balanced cartridge seals installed in a high suction pressure rated VSX pump.

VSX - 14x16x15A

ITEM NO.	DESCRIPTION	QTY	PART NUMBER		
VOLUTE - VSX					
			STANDARD	250 FLANGE RATING	16BAR
14a	VOLUTE - VSC	1	P5002836	P5002838	P5002837
14b	VOLUTE - VSH	1	P5002825	P5002827	P5002826
14c	VOLUTE - VSCS	1	P5002841	P5002843	P5002842
COMMON VOLUTE PARTS					
23	VOLUTE GASKET	2		P5001592	
15	COVERPLATE, 2 NOTCH	1		P5002833	
16	COVERPLATE, 1 NOTCH	1		P5002830	
25	VOLUTE CAPSCREW	36		J92292	
30	PLUG SQUARE HEAD STEEL, 1/2"	3		J89453	
31	PLUG SQUARE HEAD CAST IRON, 1"	2		J89455	
32	PLUG SQUARE HEAD STEEL, 1/4"	7 [■]		P39040	
33	PLUG SQUARE HEAD STEEL, 3/4"	1		CP-711-509-006	
17	IMPELLER, BRONZE, 14.9"	1		P5002726	
18	SHAFT, 1045 STEEL	1 [▶]		P5003608	
18	SHAFT, 416 SST	1		P5001248	
19	IMPELLER KEY, C1018 STEEL	1 [▶]		P5003644	
19	IMPELLER KEY, 300 SRS SST	1		P5001251	
20	COUPLER KEY	1		P5001579	
COMMON PUMP PARTS - STANDARD CONSTRUCTION					
1	BEARING	2		P5001244	
2	BEARING BRACKET INBOARD	1		P5001240	
3	BEARING BRACKET OUTBOARD	1		P5001241	
26	BRACKET CAPSCREW	8		P5001032	
4	BEARING CAP	2		P5001243	
28	BEARING CAP CAPSCREW	8		DJ0081	
5	LIP SEAL (INBOARD ONLY)	1		P5001257	
6	LIP SEAL	2		P5001256	
7	LOCKNUT	2		J92381	
8	LOCKWASHER	2		J92382	
9	QUAD RING - EPDM	2		P5001255 [□]	
10	IMPELLER SLEEVE, 304 SST	2 [▶]		P5003576	
10	SHAFT SLEEVE, 304 SST	2		P5001245 [◊]	
29	SLEEVE SET SCREW	4		P5002217 [◊]	
11	WATER SLINGER	2		P5001261	
12	SNAP RING	4 [◊]		P5001259	
	GREASE FITTING	2		P70614	
UNITIZED MECHANICAL SEAL - STANDARD CONSTRUCTION					
21	SEAL, STANDARD UNITIZED	2		P5001893 [▼]	
22	SEAL GLAND	2		P5001247	
24	GLAND GASKET	2		P5001250 [†]	
27	GLAND CAPSCREW	8		CP-611-271-545 [†]	
PACKING CONSTRUCTION					
P21	PACKING RING, STD MATERIAL	10		P5001583	
P22	PACKING RING BOX	2		P5001253	
P23	GLAND HALF PACKING, 304 SST	4		P5001254	
P24	STUD, SST 3/8"	4		P5002401	
P25	WASHER, SST 3/8"	4		J91649	
P26	HEX NUT, SST 3/8"	4		J91659	
P27	LANTERN RING	2		P5001586	
BALANCED CARTRIDGE SEAL CONSTRUCTION					
C21	CARTRIDGE SEAL - CHOOSE BELOW:				
	EPR/ SiC/ SiC	2		P5001901	
	VITON/ SiC/ SiC	2		P5001902	
WEAR RING OPTIONS - COVERPLATE OR IMPELLER					
35	COVERPLATE WEAR RING (W-RING)	2		P5001176	
15a	COVERPLATE, 2 NOTCH - MACHINED for W-RING	1		P5002834	
16a	COVERPLATE, 1 NOTCH - MACHINED for W-RING	1		P5002831	
34	IMPELLER WEAR RING (W-RING)	2		P5001175	
17a	IMPELLER, BRONZE - MACHINED for W-RING	1		P5002727	

■ Standard for the mechanical seal and balanced cartridge seal construction. For packing construction - only 4 plugs, 1/4" are required
□ Used with standard Unitized EPR/Carbon/SiC seal. When seal other than standard is selected, see page 47 for proper quad ring selection

◄ Not used on cartridge seal

◊ QTY=2 for packing and cartridge seal

▼ See page 47 for optional mechanical seal selection

† Also used on packing and cartridge seal construction

▶ Pumps manufactured after Jan 2010 (Date Code A01) come standard with steel shafts and impeller keys

■ Factory Recommended Spare Parts

Note: To prevent premature seal failure or possible injury, the unitized mechanical seals should not be used as an alternate or substitute for the balanced cartridge seals installed in a high suction pressure rated VSX pump.

VSX - 14x16x17.5A

ITEM NO.	DESCRIPTION	QTY	PART NUMBER		
VOLUTE - VSX					
			STANDARD	250 FLANGE RATING	16BAR
14a	VOLUTE - VSC	1	P5001420	P5001422	P5001421
14b	VOLUTE - VSH	1	P5001416	P5001418	P5001417
14c	VOLUTE - VSCS	1	P5001424	P5001426	P5001425
COMMON VOLUTE PARTS					
23	VOLUTE GASKET	2		P5002428	
15	COVERPLATE, 2 NOTCH	1		P5001413	
16	COVERPLATE, 1 NOTCH	1		P5001410	
25	VOLUTE CAPSCREW	36		DJ0617	
30	PLUG SQUARE HEAD STEEL, 1/2"	3		J89453	
31	PLUG SQUARE HEAD CAST IRON, 1"	2		J89455	
32	PLUG SQUARE HEAD STEEL, 1/4"	7 [■]		P39040	
33	PLUG SQUARE HEAD STEEL, 3/4"	1		CP-711-509-006	
17	IMPELLER, BRONZE, 17.5"	1		P5001407	
18	SHAFT, 1045 STEEL	1 [▶]		P5003610	
18	SHAFT, 416 SST	1		P5001273	
19	IMPELLER KEY, C1018 STEEL	1 [▶]		P5003645	
19	IMPELLER KEY, 300 SRS SST	1		P5001276	
20	COUPLER KEY	1		P5001580	
COMMON PUMP PARTS - STANDARD CONSTRUCTION					
1	BEARING	2		P5001269	
2	BEARING BRACKET INBOARD	1		P5001265	
3	BEARING BRACKET OUTBOARD	1		P5001266	
26	BRACKET CAPSCREW	8		P5001032	
4	BEARING CAP	2		P5001268	
28	BEARING CAP CAPSCREW	8		P44250	
5	LIP SEAL (INBOARD ONLY)	1		P5001282	
6	LIP SEAL	2		P5001281	
7	LOCKNUT	2		J92378	
8	LOCKWASHER	2		J92377	
9	QUAD RING - EPDM	2		P5001280 [□]	
10	IMPELLER SLEEVE, 304 SST	2 [▶]		P5003580	
10	SHAFT SLEEVE, 304 SST	2		P5001270 [◄]	
29	SLEEVE SET SCREW	4		P5002217 [◄]	
11	WATER SLINGER	2		P5001284	
12	SNAP RING	4 [◊]		P5001283	
	GREASE FITTING	2		P70614	
UNITIZED MECHANICAL SEAL - STANDARD CONSTRUCTION					
21	SEAL, STANDARD UNITIZED	2		P5001895 [▼]	
22	SEAL GLAND	2		P5001272	
24	GLAND GASKET	2		P5001275 [†]	
27	GLAND CAPSCREW	8		CP-611-271-545 [†]	
PACKING CONSTRUCTION					
P21	PACKING RING, STD MATERIAL	10		P5001584	
P22	PACKING RING BOX	2		P5001278	
P23	GLAND HALF PACKING, 304 SST	4		P5001279	
P24	STUD, SST 3/8"	4		P5002402	
P25	WASHER, SST 3/8"	4		J91649	
P26	HEX NUT, SST 3/8"	4		J91659	
P27	LANTERN RING	2		P5001587	
BALANCED CARTRIDGE SEAL CONSTRUCTION					
C21	CARTRIDGE SEAL - CHOOSE BELOW:				
	EPR/ SiC/ SiC	2		P5001903	
	VITON/ SiC/ SiC	2		P5001904	
WEAR RING OPTIONS - COVERPLATE OR IMPELLER					
35	COVERPLATE WEAR RING (W-RING)	2		P5001785	
15a	COVERPLATE, 2 NOTCH - MACHINED for W-RING	1		P5001414	
16a	COVERPLATE, 1 NOTCH - MACHINED for W-RING	1		P5001411	
34	IMPELLER WEAR RING (W-RING)	2		P5001784	
17a	IMPELLER, BRONZE - MACHINED for W-RING	1		P5001408	

- Standard for the mechanical seal and balanced cartridge seal construction. For packing construction - only 4 plugs, 1/4" are required
- Used with standard Unitized EPR/Carbon/SiC seal. When seal other than standard is selected, see page 47 for proper quad ring selection
- ◄ Not used on cartridge seal
- ◊ QTY=2 for packing and cartridge seal
- ▼ See page 47 for optional mechanical seal selection
- † Also used on packing and cartridge seal construction
- ▶ Pumps manufactured after Jan 2010 (Date Code A01) come standard with steel shafts and impeller keys

Factory Recommended Spare Parts

Note: To prevent premature seal failure or possible injury, the unitized mechanical seals should not be used as an alternate or substitute for the balanced cartridge seals installed in a high suction pressure rated VSX pump.

VSX - 14x16x22A

ITEM NO.	DESCRIPTION	QTY	PART NUMBER		
VOLUTE - VSX					
			STANDARD	250 FLANGE RATING	16BAR
14a	VOLUTE - VSC	1	P5002060	P5002062	P5002061
14b	VOLUTE - VSH	1	P5002056	P5002058	P5002057
14c	VOLUTE - VSCS	1	P5002064	P5002066	P5002065
COMMON VOLUTE PARTS					
23	VOLUTE GASKET	2	P5001967		
15	COVERPLATE, 2 NOTCH	1	P5002053		
16	COVERPLATE, 1 NOTCH	1	P5002050		
25	VOLUTE CAPSCREW	40	P5001969		
30	PLUG SQUARE HEAD STEEL, 1/2"	3	J89453		
31	PLUG SQUARE HEAD CAST IRON, 1"	2	J89455		
32	PLUG SQUARE HEAD STEEL, 1/4"	7	P39040		
33	PLUG SQUARE HEAD STEEL, 3/4"	1	CP-711-509-006		
17	IMPELLER, BRONZE, 22"	1	P5002047		
18	SHAFT, 416 SST	1	P5001957		
19	IMPELLER KEY, 300 SRS SST	1	P5002604		
20	COUPLER KEY	1	P5003405		
COMMON PUMP PARTS - STANDARD CONSTRUCTION					
1	BEARING	2	P5001954		
2	BEARING BRACKET INBOARD	1	P5001947		
3	BEARING BRACKET OUTBOARD	1	P5001948		
26	BRACKET CAPSCREW	8	P5001032		
4	BEARING CAP	2	P5001959		
28	BEARING CAP CAPSCREW	8	P44250		
5	LIP SEAL (INBOARD ONLY)	1	P5001962		
6	LIP SEAL	2	P5001960		
7	LOCKNUT	2	P5001955		
8	LOCKWASHER	2	P5001956		
9	QUAD RING - EPDM	2	P5001970		
11	WATER SLINGER	2	P5001968		
	GREASE FITTING	2	P70614		
BALANCED CARTRIDGE SEAL CONSTRUCTION					
C21	CARTRIDGE SEAL - EPR/ SiC/ SiC	2	P5001963		
24	GLAND GASKET	2	P5002546		
27	GLAND CAPSCREW	16	P5002605		
WEAR RING OPTIONS - COVERPLATE OR IMPELLER					
35	COVERPLATE WEAR RING (W-RING)	2	P5002576		
15a	COVERPLATE, 2 NOTCH - MACHINED for W-RING	1	P5002054		
16a	COVERPLATE, 1 NOTCH - MACHINED for W-RING	1	P5002051		
34	IMPELLER WEAR RING (W-RING)	2	P5002575		
17a	IMPELLER, BRONZE - MACHINED for W-RING	1	P5002048		

 Factory Recommended Spare Parts

Note: To prevent premature seal failure or possible injury, the unitized mechanical seals should not be used as an alternate or substitute for the balanced cartridge seals installed in a high suction pressure rated VSX pump.

VSX - 16x18x19A

ITEM NO.	DESCRIPTION	QTY	PART NUMBER		
VOLUTE - VSX					
			STANDARD	250 FLANGE RATING	16BAR
14a	VOLUTE - VSC	1	NONE	NONE	NONE
14b	VOLUTE - VSH	1	P5001878	P5001880	P5001879
14c	VOLUTE - VSCS	1	P5001886	P5001888	P5001887
COMMON VOLUTE PARTS					
23	VOLUTE GASKET	2		P5001967	
15	COVERPLATE, 2 NOTCH	1		P5001875	
16	COVERPLATE, 1 NOTCH	1		P5001872	
25	VOLUTE CAPSCREW	40		P5001969	
30	PLUG SQUARE HEAD STEEL, 1/2"	3		J89453	
31	PLUG SQUARE HEAD CAST IRON, 1"	2		J89455	
32	PLUG SQUARE HEAD STEEL, 1/4"	7		P39040	
33	PLUG SQUARE HEAD STEEL, 3/4"	1		CP-711-509-006	
17	IMPELLER, BRONZE, 19"	1		P5001869	
18	SHAFT, 416 SST	1		P5002718	
19	IMPELLER KEY, 300 SRS SST	1		P5002733	
20	COUPLER KEY	1		P5003406	
COMMON PUMP PARTS - STANDARD CONSTRUCTION					
1	BEARING	2		P5001954	
2	BEARING BRACKET INBOARD	1		P5001947	
3	BEARING BRACKET OUTBOARD	1		P5001948	
26	BRACKET CAPSCREW	8		P5001032	
4	BEARING CAP	2		P5001959	
28	BEARING CAP CAPSCREW	8		P44250	
5	LIP SEAL (INBOARD ONLY)	1		P5001962	
6	LIP SEAL	2		P5001960	
7	LOCKNUT	2		P5001955	
8	LOCKWASHER	2		P5001956	
9	QUAD RING - EPDM	2		P5001970	
11	WATER SLINGER	2		P5001968	
	GREASE FITTING	2		P70614	
BALANCED CARTRIDGE SEAL CONSTRUCTION					
C21	CARTRIDGE SEAL - EPR/ SiC/ SiC	2		P5001963	
24	GLAND GASKET	2		P5002546	
27	GLAND CAPSCREW	16		P5002605	
WEAR RING OPTIONS - COVERPLATE OR IMPELLER					
35	COVERPLATE WEAR RING (W-RING)	2		P5002607	
15a	COVERPLATE, 2 NOTCH - MACHINED for W-RING	1		P5001876	
16a	COVERPLATE, 1 NOTCH - MACHINED for W-RING	1		P5001873	
34	IMPELLER WEAR RING (W-RING)	2		P5002606	
17a	IMPELLER, BRONZE - MACHINED for W-RING	1		P5001870	

 Factory Recommended Spare Parts

Note: To prevent premature seal failure or possible injury, the unitized mechanical seals should not be used as an alternate or substitute for the balanced cartridge seals installed in a high suction pressure rated VSX pump.

VSX - 18x20x22A

ITEM NO.	DESCRIPTION	QTY	PART NUMBER		
VOLUTE - VSX					
			STANDARD	250 FLANGE RATING	16BAR
14a	VOLUTE - VSC	1	NONE	NONE	NONE
14b	VOLUTE - VSH	1	P5002468	P5002470	P5002469
14c	VOLUTE - VSCS	1	NONE	NONE	NONE
COMMON VOLUTE PARTS					
23	VOLUTE GASKET	2		P5001967	
15	COVERPLATE, 2 NOTCH	1		P5002465	
16	COVERPLATE, 1 NOTCH	1		P5002462	
25	VOLUTE CAPSCREW	40		P5001969	
30	PLUG SQUARE HEAD STEEL, 1/2"	3		J89453	
31	PLUG SQUARE HEAD CAST IRON, 1"	2		J89455	
32	PLUG SQUARE HEAD STEEL, 1/4"	7		P39040	
33	PLUG SQUARE HEAD STEEL, 3/4"	1		CP-711-509-006	
17	IMPELLER, BRONZE, 22"	1		P5002459	
18	SHAFT, 416 SST	1		P5001986	
19	IMPELLER KEY, 300 SRS SST	1		P5002665	
20	COUPLER KEY	1		P5003407	
COMMON PUMP PARTS - STANDARD CONSTRUCTION					
1	BEARING	2		P5001979	
2	BEARING BRACKET INBOARD	1		P5001975	
3	BEARING BRACKET OUTBOARD	1		P5001976	
26	BRACKET CAPSCREW	8		P5001991	
4	BEARING CAP	2		P5001978	
28	BEARING CAP CAPSCREW	8		P5001992	
5	LIP SEAL (INBOARD ONLY)	1		P5001982	
6	LIP SEAL	2		P5001983	
7	LOCKNUT	2		P5001980	
8	LOCKWASHER	2		P5001981	
9	QUAD RING - EPDM	2		P5001984	
11	WATER SLINGER	2		P5001988	
	GREASE FITTING	2		P70614	
BALANCED CARTRIDGE SEAL CONSTRUCTION					
C21	CARTRIDGE SEAL - EPR/ SiC/ SiC	2		P5001993	
24	GLAND GASKET	2		P5001987	
27	GLAND CAPSCREW	16		J92288	
WEAR RING OPTIONS - COVERPLATE OR IMPELLER					
35	COVERPLATE WEAR RING (W-RING)	2		P5002598	
15a	COVERPLATE, 2 NOTCH - MACHINED for W-RING	1		P5002466	
16a	COVERPLATE, 1 NOTCH - MACHINED for W-RING	1		P5002463	
34	IMPELLER WEAR RING (W-RING)	2		P5002597	
17a	IMPELLER, BRONZE - MACHINED for W-RING	1		P5002460	

 Factory Recommended Spare Parts

Note: To prevent premature seal failure or possible injury, the unitized mechanical seals should not be used as an alternate or substitute for the balanced cartridge seals installed in a high suction pressure rated VSX pump.

VSX - 18x20x22B

ITEM NO.	DESCRIPTION	QTY	PART NUMBER		
VOLUTE - VSX					
			STANDARD	250 FLANGE RATING	16BAR
14a	VOLUTE - VSC	1	NONE	NONE	NONE
14b	VOLUTE - VSH	1	P5002468	P5002470	P5002469
14c	VOLUTE - VSCS	1	NONE	NONE	NONE
COMMON VOLUTE PARTS					
23	VOLUTE GASKET	2		P5001967	
15	COVERPLATE, 2 NOTCH	1		P5002465	
16	COVERPLATE, 1 NOTCH	1		P5002462	
25	VOLUTE CAPSCREW	40		P5001969	
30	PLUG SQUARE HEAD STEEL, 1/2"	3		J89453	
31	PLUG SQUARE HEAD CAST IRON, 1"	2		J89455	
32	PLUG SQUARE HEAD STEEL, 1/4"	7		P39040	
33	PLUG SQUARE HEAD STEEL, 3/4"	1		CP-711-509-006	
17	IMPELLER, BRONZE, 22"	1		P5002602	
18	SHAFT, 416 SST	1		P5001986	
19	IMPELLER KEY, 300 SRS SST	1		P5002665	
20	COUPLER KEY	1		P5003407	
COMMON PUMP PARTS - STANDARD CONSTRUCTION					
1	BEARING	2		P5001979	
2	BEARING BRACKET INBOARD	1		P5001975	
3	BEARING BRACKET OUTBOARD	1		P5001976	
26	BRACKET CAPSCREW	8		P5001991	
4	BEARING CAP	2		P5001978	
28	BEARING CAP CAPSCREW	8		P5001992	
5	LIP SEAL (INBOARD ONLY)	1		P5001982	
6	LIP SEAL	2		P5001983	
7	LOCKNUT	2		P5001980	
8	LOCKWASHER	2		P5001981	
9	QUAD RING - EPDM	2		P5001984	
11	WATER SLINGER	2		P5001988	
	GREASE FITTING	2		P70614	
BALANCED CARTRIDGE SEAL CONSTRUCTION					
C21	CARTRIDGE SEAL - EPR/ SiC/ SiC	2		P5001993	
24	GLAND GASKET	2		P5001987	
27	GLAND CAPSCREW	16		J92288	
WEAR RING OPTIONS - COVERPLATE OR IMPELLER					
35	COVERPLATE WEAR RING (W-RING)	2		P5002598	
15a	COVERPLATE, 2 NOTCH - MACHINED for W-RING	1		P5002466	
16a	COVERPLATE, 1 NOTCH - MACHINED for W-RING	1		P5002463	
34	IMPELLER WEAR RING (W-RING)	2		P5002597	
17a	IMPELLER, BRONZE - MACHINED for W-RING	1		P5002603	

 Factory Recommended Spare Parts

Note: To prevent premature seal failure or possible injury, the unitized mechanical seals should not be used as an alternate or substitute for the balanced cartridge seals installed in a high suction pressure rated VSX pump.

SEAL AND QUAD RING SELECTION TABLES

VSX SIZE	SHAFT SIZE	QTY	Unitized Mechanical Seals*			Balanced Cartridge Seals*	
			STANDARD UNITIZED EPR*/CARBON/SiC	UNITIZED VITON*/CARBON/SiC	UNITIZED EPR*/SiC/SiC	CARTRIDGE EPR*/SiC/SiC	CARTRIDGE VITON*/SiC/SiC
4x6x10.5A & 4x6x10.5B	2	2	P5001889	P5001890	P5001028	P5004349	P5004350
4x6x13.5A	2	2	P5001889	P5001890	P5001028	P5004349	P5004350
5x6x10.5A & 5x6x10.5B	2	2	P5001889	P5001890	P5001028	P5004349	P5004350
5x6x13.5A & 5x6x13.5B	2	2	P5001889	P5001890	P5001028	P5004349	P5004350
4x6x17.5A	2	2	P5001889	P5001890	P5001028	P5004349	P5004350
5x6x17.5A	2	2	P5001889	P5001890	P5001028	P5004349	P5004350
6x8x10.5A	2	2	P5001889	P5001890	P5001028	P5004349	P5004350
6x8x13.5A & 6x8x13.5B	2	2	P5001889	P5001890	P5001028	P5004349	P5004350
8x10x10.5A & 8x10x10.5B	2	2	P5001889	P5001890	P5001028	P5004349	P5004350
6x8x17.5A	2.5	2	P5001891	P5001892	P5001086	P5004740	P5004606
10x12x10.5A	2.5	3	P5001891	P5001892	P5001086	P5004740	P5004606
10x12x11.5A & 10x12x11.5B	2.5	2	P5001891	P5001892	P5001086	P5004740	P5004606
8x10x13.5A & 8x10x13.5B	2.5	2	P5001891	P5001892	P5001086	P5004740	P5004606
10x12x13.5A	2.5	2	P5001891	P5001892	P5001086	P5004740	P5004606
12x14x13.5A	3	2	P5001893	P5001894	P5001237	P5004741	P5004609
12x14x14A	3	2	P5001893	P5001894	P5001237	P5004741	P5004609
14x16x13.5A	3	2	P5001893	P5001894	P5001237	P5004741	P5004609
14x16x15A	3	2	P5001893	P5001894	P5001237	P5004741	P5004609
8x10x17.5A	3	2	P5001893	P5001894	P5001237	P5004741	P5004609
10x12x17.5A	3	2	P5001893	P5001894	P5001237	P5004741	P5004609
8x10x22A	3.5	2	P5001895	P5001896	P5001238	P5001903	P5004612
10x12x22A	3.5	2	P5001895	P5001896	P5001238	P5001903	P5004612
12x14x17.5A & 12x14x17.5B	3.5	2	P5001895	P5001896	P5001238	P5001903	P5004612
14x16x17.5A	3.5	2	P5001895	P5001896	P5001238	P5001903	P5004612
12x14x22A	4	2	NONE	NONE	NONE	P5004743	NONE
14x16x22A	4	2	NONE	NONE	NONE	P5004743	NONE
16x18x19A	4	2	NONE	NONE	NONE	P5004743	NONE
18x20x22A & 18x20x22B	5	2	NONE	NONE	NONE	P5004743	NONE

* Use seal material to choose proper quad ring.

+ Consult Series VSX Instruction Manual P5002169 for maximum working and suction pressures.

Quad Ring

VSX SIZE	SHAFT SIZE	QTY	EPDM QUAD RING FOR EPR SEALS	VITON QUAD RING FOR VITON SEALS
4x6x10.5 & 4x6x10.5B	2	2	P5001033	P5002396
4x6x13.5	2	2	P5001033	P5002396
5x6x10.5 & 5x6x10.5B	2	2	P5001033	P5002396
5x6x13.5 & 5x6x13.5B	2	2	P5001033	P5002396
4x6x17.5	2	2	P5001033	P5002396
5x6x17.5	2	2	P5001033	P5002396
6x8x10.5	2	2	P5001033	P5002396
6x8x13.5 & 6x8x13.5B	2	2	P5001033	P5002396
8x10x10.5 & 8x10x10.5B	2	2	P5001033	P5002396
6x8x17.5	2.5	2	P5001090	P5002397
10x12x10.5	2.5	3	P5001090	P5002397
10x12x11.5 & 10x12x11.5B	2.5	2	P5001090	P5002397
8x10x13.5 & 8x10x13.5B	2.5	2	P5001090	P5002397
10x12x13.5	2.5	2	P5001090	P5002397
12x14x13.5	3	2	P5001255	P5002398
12x14x14	3	2	P5001255	P5002398
14x16x13.5	3	2	P5001255	P5002398
14x16x15	3	2	P5001255	P5002398
8x10x17.5	3	2	P5001255	P5002398
10x12x17.5	3	2	P5001255	P5002398
8x10x22	3.5	2	P5001280	P5002399
10x12x22	3.5	2	P5001280	P5002399
12x14x17.5 & 12x14x17.5B	3.5	2	P5001280	P5002399
14x16x17.5	3.5	2	P5001280	P5002399
12x14x22A	4	2	P5001970	NONE
14x16x22A	4	2	P5001970	NONE
16x18x19A	4	2	P5001970	NONE
18x20x22A & 18x20x22B	5	2	P5001984	NONE

NOTE: EPR/SiC/SiC is also referred to as EPR/Graphite Loaded/SiC

SERIES VSX NON-SPACER COUPLER (WOODS) SELECTION TABLE

Pump Models with 1800 RPM ODP Motor

PUMP SIZE	PUMP SHAFT Ø	MOTOR SHAFT Ø	MOTOR FRAME	MOTOR HP	ELEMENT NO.	PUMP COUPLER HUB	MOTOR COUPLER HUB	VENDOR NUMBER
4x6x10.5A	1.375	1.375	215T	10	P5001792	P5001804	P5001804	WE3
4x6x10.5B	1.375	1.625	254T	15	P5001793	P5001805	P5001806	WE4
4x6x13.5A	1.375	1.625	256T	20	P5001794	P5001807	P5001808	WE5
5x6x10.5A	1.375	1.875	284T	25	P5001794	P5001807	P5001809	WE5
5x6x10.5B		1.625	284TS				P5001808	
5x6x13.5A	1.375	1.875	286T	30	P5001795	P5001810	P5001812	WE10
5x6x13.5B		1.625	286TS				P5001811	
4x6x17.5A	1.375	2.125	324T	40	P5001795	P5001810	P5001813	WE10
4x6x17.5B		1.875	324TS				P5001812	
6x8x10.5A	1.375	2.125	326T	50	P5001796	P5001814	P5001817	WE20
6x8x10.5B		1.875	326TS				P5001816	
6x8x13.5A	1.375	2.375	364T	60	P5001796	P5001814	P5001818	WE20
6x8x13.5B		1.875	364TS				P5001816	
8x10x10.5A	1.375	2.375	365T	75	P5001797	P5001819	P5001823	WE30
8x10x10.5B		1.875	365TS				P5001821	
8x10x10.5B	1.375	2.875	404T	100	P5001797	P5001819	P5001825	WE30
8x10x10.5B		2.125	404TS				P5001822	
8x10x10.5B	1.375	2.875	405T	125	P5001798	P5001826	P5001831	WE40
8x10x10.5B		2.125	405TS				P5001828	
6x8x17.5A	1.625	2.375	365T	75	P5001797	P5001820	P5001823	WE30
6x8x17.5B		1.875	365TS				P5001821	
10x12x10.5A	1.625	2.875	404T	100	P5001797	P5001820	P5001825	WE30
10x12x10.5B		2.125	404TS				P5001822	
8x10x13.5A	1.625	2.875	405T	125	P5001798	P5001827	P5001831	WE40
8x10x13.5B		2.125	405TS				P5001828	
10x12x13.5A	1.625	3.375	444T	150	P5001798	P5001827	P5001833	WE40
10x12x13.5B		2.375	444TS				P5001829	
10x12x13.5A	1.625	3.375	445T	200	P5001799	P5001834	P5001840	WE50
10x12x13.5B		2.375	445TS				P5001836	
10x12x13.5A	1.625	3.375	445T-447T	250-300	P5001800	P5001841	P5001847	WE60
10x12x13.5B		2.375	445TS-447TS				P5001843	
12x14x13.5A	2.125	3.375	445T	200	P5001799	P5001835	P5001840	WE50
12x14x13.5B		2.375	445TS				P5001836	
14x16x13.5A	2.125	3.375	445T-447T	250-350	P5001800	P5001842	P5001847	WE60
14x16x13.5B		2.375	445TS-447TS				P5001843	
8x10x17.5A	2.125	2.375	449TS	400	P5001801	P5001850	CF	WE70
10x12x17.5A	2.125	CF	CF	450	CF	CF	CF	CF
8x10x22A	2.5	3.375	447T	300-350	P5001800	P5001844	P5001847	WE60
8x10x22B		2.375	447TS				P5001843	
12x14x17.5A	2.5	2.375	449TS	400	P5001801	P5001851	CF	WE70
12x14x17.5B	2.5	CF	CF	450	CF	CF	CF	CF
14x16x17.5A	2.5	CF	CF	500	CF	CF	CF	CF
14x16x17.5B	2.5	CF	CF	600	CF	CF	CF	CF
14x16x17.5C	2.5	CF	CF	700	CF	CF	CF	CF
14x16x17.5D	2.5	CF	CF	800	CF	CF	CF	CF
12x14x22A	3	CF	CF	CF	CF	CF	CF	CF
14x16x22A	3	CF	CF	CF	CF	CF	CF	CF
16x18x19A	3	CF	CF	CF	CF	CF	CF	CF
18x20x22A	3.625	CF	CF	CF	CF	CF	CF	CF

CF Consult factory

Pumps manufactured prior to January 2007 (date code A70) come standard with Woods couplers.

Pumps manufactured after January 2007 (date code A70) come standard with Dodge couplers.

Pumps manufactured after August 2009 (date code H90) come standard with Woods couplers.

SERIES VSX NON-SPACER COUPLER (WOODS) SELECTION TABLE

Pump Models with 1800 RPM ODP Motor

PUMP SIZE	PUMP SHAFT Ø	MOTOR SHAFT Ø	MOTOR FRAME	MOTOR HP	ELEMENT NO.	PUMP COUPLER HUB	MOTOR COUPLER HUB	VENDOR NUMBER
4x6x10.5A	1.375	1.375	213T-215T	3-5	P5001792	P5001804	P5001804	WE3
4x6x10.5B	1.375	1.625	254T-256T	7.5-10	P5001793	P5001805	P5001806	WE4
4x6x13.5A	1.375	1.875	284T	15	P5001794	P5001807	P5001809	WE5
5x6x10.5A	1.375	1.875	286T	20	P5001795	P5001810	P5001812	WE10
5x6x10.5B	1.375	2.125	324T	25	P5001795	P5001810	P5001813	WE10
5x6x13.5A	1.375	2.125	326T	30	P5001796	P5001814	P5001817	WE20
5x6x13.5B	1.375	2.375	364T	40	P5001796	P5001814	P5001818	WE20
4x6x17.5A								
5x6x17.5A								
6x8x10.5A								
6x8x13.5A								
6x8x13.5B								
8x10x10.5A								
8x10x10.5B								
10x12x10.5A	1.625	1.875	286T	20	P5001795	P5001811	P5001812	WE10
10x12x11.5A	1.625	2.125	324T	25	P5001795	P5001811	P5001813	WE10
10x12x11.5B	1.625	2.125	326T	30	P5001796	P5001815	P5001817	WE20
8x10x13.5A	1.625	2.375	364T	40	P5001796	P5001815	P5001818	WE20
8x10x13.5B	1.625	2.375	365T	50	P5001797	P5001820	P5001823	WE30
10x12x13.5A	1.625	2.875	404T	60	P5001797	P5001820	P5001825	WE30
	1.625	2.875	405T	75	P5001798	P5001827	P5001831	WE40
	1.625	3.375	444T	100	P5001798	P5001827	P5001833	WE40
12x14x13.5A	2.125	2.875	404T	60	P5001797	P5001822	P5001825	WE30
12x14x14A	2.125	2.875	405T	75	P5001798	P5001828	P5001831	WE40
14x16x13.5A	2.125	3.375	444T	100	P5001798	P5001828	P5001833	WE40
14x16x15A	2.125	3.375	445T	125	P5001799	P5001835	P5001840	WE50
8x10x17.5A								
10x12x17.5A								
8x10x22A	2.5	3.375	444T	100	P5001798	P5001830	P5001833	WE40
10x12x22A	2.5	3.375	445T	125	P5001799	P5001837	P5001840	WE50
12x14x17.5A	2.5	3.375	445T	150-200	P5001800	P5001844	P5001847	WE60
12x14x17.5B	2.5	3.375	447T	250	P5001801	P5001851	P5001854	WE70
14x16x17.5A								
12x14x22A	3	CF	CF	CF	CF	CF	CF	CF
14x16x22A	3	CF	CF	CF	CF	CF	CF	CF
16x18x19A	3	CF	CF	CF	CF	CF	CF	CF
18x20x22A	3.625	CF	CF	CF	CF	CF	CF	CF

CF Consult factory

Pumps manufactured prior to January 2007 (date code A70) come standard with Woods couplers.

Pumps manufactured after January 2007 (date code A70) come standard with Dodge couplers.

Pumps manufactured after August 2009 (date code H90) come standard with Woods couplers.

NON-SPACER COUPLER GUARD SELECTION TABLE (FOR USE WITH WOODS COUPLERS)

Guard Part Numbers

GUARD NO.	OUTER GUARD	QTY	INNER GUARD	QTY
1=	P5001867	2	P5002563	2
2=	P5001928	2	P5002564	2
3=	P5001928	2	P5002565	2

Guard Part Numbers

GUARD NO.	OUTER GUARD	QTY	INNER GUARD	QTY
4=	P5001928	2	P5002566	2
5=	P5001930	2	P5002567	2
6=	P5001930	2	P5002568	2

Pump Shaft Diameters

PUMP SIZE	2"	2.5"	3"	3.5"	4"	5"
4x6x10.5A 4x6x10.5B 4x6x13.5A 5x6x10.5A 5x6x10.5B 5x6x13.5A 5x6x13.5B 4x6x17.5A 5x6x17.5A 6x8x10.5A 6x8x13.5A 6x8x13.5B 8x10x10.5A 8x10x10.5B						
Pump Shaft	2"	2.5"	3"	3.5"	4"	5"

2" Pump Shaft Diameter for Seal Size

VENDOR NUMBER	MOTOR FRAME / GUARD NUMBER																															
	182T	184T	213T	215T	254T	256T	284T	284TS	286T	286TS	324T	324TS	326T	326TS	364T	364TS	365T	365TS	404T	404TS	405T	405TS	444T	444TS	445T	445TS	447T	447TS	449T	449TS		
WE3	1	1	1	1	1	1	1	1	1	1	1	1	1	1	2	1	2	1	2	1												
WE4	1	1	1	1	1	1	1	1	1	1	1	1	1	1	2	1	2	1	2	1												
WE5	1	1	1	1	1	1	1	1	1	1	1	1	1	1	2	1	2	1	2	1												
WE10	1	1	1	1	1	1	1	1	1	1	1	1	1	1	2	1	2	1	2	1												
WE20	1	1	1	1	1	1	1	1	1	1	1	1	1	1	2	1	2	1	2	1												
WE30	1	1	1	1	1	1	1	1	1	1	1	1	1	1	2	1	2	1	2	1	2	1										
WE40																3		3	3	3	3	3	3	3	3	3	3	3	3	3	3	
WE50																3		3	3	3	3	3	3	3	3	3	3	3	3	3	3	
WE60																3		3	3	3	3	3	3	3	3	3	3	3	3	3	3	
WE70																						3	3	3	3	3	3	3	3	3	3	
WE80																																

2.5" Pump Shaft Diameter for Seal Size

VENDOR NUMBER	MOTOR FRAME / GUARD NUMBER																															
	182T	184T	213T	215T	254T	256T	284T	284TS	286T	286TS	324T	324TS	326T	326TS	364T	364TS	365T	365TS	404T	404TS	405T	405TS	444T	444TS	445T	445TS	447T	447TS	449T	449TS		
WE3	1	1	1	1	1	1	1	1	1	1	1	1	1	1	2	1	2	1	2	1												
WE4	1	1	1	1	1	1	1	1	1	1	1	1	1	1	2	1	2	1	2	1												
WE5	1	1	1	1	1	1	1	1	1	1	1	1	1	1	2	1	2	1	2	1												
WE10	1	1	1	1	1	1	1	1	1	1	1	1	1	1	2	1	2	1	2	1												
WE20	1	1	1	1	1	1	1	1	1	1	1	1	1	1	2	1	2	1	2	1												
WE30	1	1	1	1	1	1	1	1	1	1	1	1	1	1	2	1	2	1	2	1	2	1										
WE40																3		3	3	3	3	3	3	3	3	3	3	3	3	3	3	
WE50																3		3	3	3	3	3	3	3	3	3	3	3	3	3	3	
WE60																3		3	3	3	3	3	3	3	3	3	3	3	3	3	3	
WE70																						3	3	3	3	3	3	3	3	3	3	
WE80																																

HOW TO USE THESE CHARTS ABOVE TO SELECT THE COUPLER GUARDS:

Example (shaded gray above): Pump model = 4x6x10.5, with a 15 HP, 1800 RPM, 254T Frame motor.

The Vendor Number is WE4 (See Pages 53-54). The Coupler Guard is 1 and requires P5001926 (qty=2) and P5001927 (qty=2).

NON-SPACER COUPLER GUARD SELECTION TABLE (FOR USE WITH WOODS COUPLERS)

Pump Shaft Diameters

PUMP SIZE	2"	2.5"	3"	3.5"	4"	5"
4x6x10.5A 4x6x10.5B 4x6x13.5A 5x6x10.5A 5x6x10.5B 5x6x13.5A 5x6x13.5B 4x6x17.5A 5x6x17.5A 6x8x10.5A 6x8x13.5A 6x8x13.5B 8x10x10.5A 8x10x10.5B						
6x8x17.5A 10x12x10.5A 10x12x11.5A 10x12x11.5B 8x10x13.5A 8x10x13.5B 10x12x13.5A						
12x14x13.5A 12x14x14A 14x16x13.5A 14x16x15A 8x10x17.5A 10x12x17.5A						
8x10x22A 10x12x22A 12x14x17.5A 12x14x17.5B 14x16x17.5A						
12x14x22A 14x16x22A 16x18x19A						
18x20x22A						

3" Pump Shaft Diameter for Seal Size

VENDOR NUMBER	MOTOR FRAME / GUARD NUMBER																															
	182T	184T	213T	215T	254T	256T	284T	284TS	286T	286TS	324T	324TS	326T	326TS	364T	364TS	365T	365TS	404T	404TS	405T	405TS	444T	444TS	445T	445TS	447T	447TS	449T	449TS		
WE3	1	1	1	1	1	1	1	1	1	1	2	1	2	1	2	1	2	1	2	2												
WE4	1	1	1	1	1	1	1	1	1	1	2	1	2	1	2	1	2	1	2	2												
WE5	1	1	1	1	1	1	1	1	1	1	2	1	2	1	2	1	2	1	2	2												
WE10	1	1	1	1	1	1	1	1	1	1	2	1	2	1	2	1	2	1	2	2												
WE20	1	1	1	1	1	1	1	1	1	1	2	1	2	1	2	1	2	1	2	2												
WE30	1	1	1	1	1	1	1	1	1	1	2	1	2	1	2	1	2	1	2	2	3	3	3	3	3	3	3	3	3	3	3	
WE40											3				3		3	3	3	3	3	3	3	3	3	3	3	3	3	3	3	
WE50											3				3		3	3	3	3	3	3	3	3	3	3	3	3	3	3	3	
WE60											3				3		3	3	3	3	3	3	3	3	3	3	3	3	3	3	3	
WE70																												4	4	4	4	4
WE80																												4	4	4	4	4

3.5" Pump Shaft Diameter for Seal Size

VENDOR NUMBER	MOTOR FRAME / GUARD NUMBER																															
	182T	184T	213T	215T	254T	256T	284T	284TS	286T	286TS	324T	324TS	326T	326TS	364T	364TS	365T	365TS	404T	404TS	405T	405TS	444T	444TS	445T	445TS	447T	447TS	449T	449TS		
WE3	1	1	1	1	1	1	1	1	1	1	2	1	2	1	2	1	2	1	2	2												
WE4	1	1	1	1	1	1	1	1	1	1	2	1	2	1	2	1	2	1	2	2												
WE5	1	1	1	1	1	1	1	1	1	1	2	1	2	1	2	1	2	1	2	2												
WE10	1	1	1	1	1	1	1	1	1	1	2	1	2	1	2	1	2	1	2	2												
WE20	1	1	1	1	1	1	1	1	1	1	2	1	2	1	2	1	2	1	2	2												
WE30	1	1	1	1	1	1	1	1	1	1	2	1	2	1	2	1	2	1	2	2	3	3	3	3	3	3	3	3	3	3	3	
WE40															3		3	3	3	3	3	3	3	3	3	3	3	3	3	3	3	
WE50															3		3	3	3	3	3	3	3	3	3	3	3	3	3	3	3	
WE60															3		3	3	3	3	3	3	3	3	3	3	3	3	3	3	3	
WE70																												4	4	4	4	4
WE80																												4	4	4	4	4

4" Pump Shaft Diameter for Seal Size

VENDOR NUMBER	MOTOR FRAME / GUARD NUMBER											
	447T	447TS	449T	449TS	5005S	5005M	5008S	5008M	5010S	5010M	5012S	5012M
WE70	4	4	4	4								
WE80	4	4	4	4								

5" Pump Shaft Diameter for Seal Size

VENDOR NUMBER	MOTOR FRAME / GUARD NUMBER											
	447T	447TS	449T	449TS	5005S	5005M	5008S	5008M	5010S	5010M	5012S	5012M
WE70					4	4	4	4	4	4	4	4
WE80					4	4	4	4	4	4	4	4

HOW TO USE THESE CHARTS ABOVE TO SELECT THE COUPLER GUARDS:

Example (shaded gray above): Pump model = 14x16x13.5, with a 400 HP, 1800 RPM, 449TS frame motor.

The Vendor Number is WE70 (See Pages 53-54). The Coupler Guard is 4 (Use Guard Number Chart on the top of the preceding page) and requires P5001930 (qty=2) and P5001931 (qty=2).

WOODS COUPLER GUARD SUPPORT

VENDOR NUMBER	PUMP SIZE / GUARD NUMBER (QTY = 2*)									
	4x6x10.5A 4x6x10.5B 5x6x10.5A 5x6x10.5B	4x6x13.5A 6x8x10.5A	5x6x13.5A 5x6x13.5B	4x6x17.5A 5x6x17.5A 6x8x13.5A 6x8x13.5B 8x10x10.5A 8x10x10.5B	6x8x17.5A 8x10x13.5A 8x10x13.5B 10x12x10.5A 10x12x11.5A 10x12x11.5B	10x12x13.5A	8x10x17.5A	8x10x22A 12x14x13.5A 12x14x14A 10x12x17.5A	10x12x22A 14x16x13.5A 14x16x15A 12x14x17.5A 12x14x17.5B	14x16x17.5A
WE3	P5001945	P5001943	P5001944	P5001942	P5001932	P5001933				
WE4	P5001945	P5001943	P5001944	P5001942	P5001932	P5001933	P5002780	P5002453	P5002454	P5001938
WE5	P5001945	P5001943	P5001944	P5001942	P5001932	P5001933	P5002780	P5002453	P5002454	P5001938
WE10	P5001945	P5001943	P5001944	P5001942	P5001932	P5001933	P5002780	P5002453	P5002454	P5001938
WE20	P5001945	P5001943	P5001944	P5001942	P5001932	P5001933	P5002780	P5002453	P5002454	P5001938
WE30	P5001945	P5001943	P5001944	P5001942	P5001932	P5001933	P5002780	P5002453	P5002454	P5001938
WE40		P5002456	P5002024	P5002023	P5001934	P5001935	P5002775	P5001936	P5001937	P5001938
WE50		P5002456	P5002024	P5002023	P5001934	P5001935	P5002775	P5001936	P5001937	P5001938
WE60		P5002456	P5002024	P5002023	P5001934	P5001935	P5002775	P5001936	P5001937	P5001938
WE70						P5002457	P5002776	P5001939	P5001940	P5001941
WE80							P5002776	P5001939	P5001940	P5001941

*Pumps with frame sizes 143T-256T only require 1 coupler guard support.

Coupler Guard & Support Hardware

QTY	GUARD TO GUARD	PART NO.
4	1/4-20x3/4 CAPSCREW	P32000
4	1/4-20 NUT	D80000
8	1/4 FLAT WASHER	P16320
4	1/4 LOCKWASHER	P16110
	GUARD TO SUPPORT	
4	1/4-20x1 CAPSCREW	DJ0010
4	1/4-20 NUT	D80000
8	1/4 FLAT WASHER	P16320
4	1/4 LOCKWASHER	P16110
	SUPPORT TO BASE	
4	3/8-16x1-1/2 CAPSCREW	H52100
4	3/8-16 NUT	P52380
8	3/8 FLAT WASHER	P10910
4	3/8 LOCKWASHER	P16690
2	BACKUP BOLT PLATE	P5002511

BRACKET SHIELD SELECTION TABLE

SHAFT SIZE	BRACKET SHIELD	QTY	BRACKET SHIELD FLUSH	QTY
2"	P5002192	4	P5002194	2
2.5"	P5002193	4	P5002194	2
3"	P5002195	4	P5002197	2
3.5"	P5002196	4	P5002197	2
4"	P5003281	4	P5003282	2
5"	P5003283	4	P5003284	2

OPTIONAL DRIP PAN ASSEMBLY SELECTION CHARTS

Drip Pan Assemblies

PUMP SIZE	MOTOR FRAME (T / TS)								
	182-184	213-215	2554-256	284-286	324-326	364-365	404-405	444-445	447-449
4x6x10.5A & 4x6x10.5B	P5001748	P5001748	P5001748	P5001748	P5001751	CF	CF	CF	CF
4x6x13.5A	CF	P5001751	P5001751	P5001751	P5001748	P5001751	CF	CF	CF
5x6x10.5A & 5x6x10.5B	CF	P5001751	P5001751	P5001751	P5001751	P5001751	CF	CF	CF
5x6x13.5A & 5x6x13.5B	CF	CF	P5001751	P5001751	P5001751	P5001751	P5001751	CF	CF
4x6x17.5A	CF	CF	P5001751	P5001751	P5001751	P5001751	P5001751	CF	CF
5x6x17.5A	CF	CF	P5001751	P5001751	P5001751	P5001751	P5001751	P5001751	CF
6x8x10.5A	CF	P5001751	P5001751	P5001751	P5001751	P5001751	CF	CF	CF
6x8x13.5A & 6x8x13.5B	CF	CF	P5001751	P5001751	P5001751	P5001751	P5001751	P5001751	CF
8x10x10.5A & 8x10x10.5B	CF	CF	P5001751	P5001751	P5001751	P5001751	P5001751	P5001751	CF
6x8x17A	CF	CF	CF	P5001753	P5001753	P5001753	P5001753	P5001753	P5001753
10x12x10.5A	CF	CF	CF	P5001753	P5001753	P5001753	P5001753	P5001753	P5001753
10x12x11.5A & 10x12x11.5B	CF	CF	CF	P5001753	P5001753	P5001753	P5001753	P5001753	P5001753
8x10x13.5A & 8x10x13.5B	CF	CF	CF	P5001753	P5001753	P5001753	P5001753	P5001753	P5001753
10x12x13.5A	CF	CF	CF	CF	P5001753	P5001753	P5001753	P5001753	P5001753
12x14x13.5A	CF	CF	CF	CF	CF	P5001755	P5001755	P5001755	P5001755
12x14x14A	CF	CF	CF	CF	CF	P5001755	P5001755	P5001755	P5001755
14x16x13.5A	CF	CF	CF	CF	CF	P5001755	P5001755	P5001755	P5001755
14x16x15A	CF	CF	CF	CF	CF	P5001755	P5001755	P5001755	P5001755
8x10x17.5A	CF	CF	CF	CF	P5001755	P5001755	P5001755	P5001755	P5001755
10x12x17.5A	CF	CF	CF	CF	CF	P5001755	P5001755	P5001755	P5001755
8x10x22A	CF	CF	CF	CF	CF	CF	P5001755	P5001755	P5001755
10x12x22A	CF	CF	CF	CF	CF	CF	P5001755	P5001755	P5001755
12x14x17.5A & 12x14x17.5B	CF	CF	CF	CF	CF	CF	P5001755	P5001755	P5001755
14x16x17.5A	CF	CF	CF	CF	CF	CF	P5001755	P5001755	P5001755

CF Consult factory

Drip Pan Hardware

PAN CLIPS	QTY	SCREWS	QTY
P5001750	4	J91726	4

Drip Pan Under Flanges*

PUMP SIZE	ASSEMBLY
4x6x10.5A & 4x6x10.5B	P5002935
4x6x13.5A	P5002933
5x6x10.5A & 5x6x10.5B	P5002934
5x6x13.5A & 5x6x13.5B	P5002933
4x6x17.5A	P5002933
5x6x17.5A	P5002933
6x8x10.5A	P5002934
6x8x13.5A & 6x8x13.5B	P5002933
8x10x10.5A & 8x10x10.5B	P5002936
6x8x17A	P5002892
10x12x10.5A	P5002891
10x12x11.5A & 10x12x11.5B	P5002891

PUMP SIZE	ASSEMBLY
8x10x13.5A & 8x10x13.5B	P5002891
10x12x13.5A	P5002891
12x14x13.5A	P5002890
12x14x14A	P5002890
14x16x13.5A	P5002888
14x16x15A	P5002888
8x10x17.5A	P5002890
10x12x17.5A	P5002890
8x10x22A	P5002889
10x12x22A	P5002888
12x14x17.5A & 12x14x17.5B	P5002888
14x16x17.5A	P5002878

*A quantity of 4-P47310 insert gaskets must be ordered with each drip pan assembly to seal the drip pan bolt holes.

NOTES

NOTES

Xylem |'zīləm|

- 1) The tissue in plants that brings water upward from the roots;
- 2) a leading global water technology company.

We're 12,500 people unified in a common purpose: creating innovative solutions to meet our world's water needs. Developing new technologies that will improve the way water is used, conserved, and re-used in the future is central to our work. We move, treat, analyze, and return water to the environment, and we help people use water efficiently, in their homes, buildings, factories and farms. In more than 150 countries, we have strong, long-standing relationships with customers who know us for our powerful combination of leading product brands and applications expertise, backed by a legacy of innovation.

For more information on how Xylem can help you, go to www.xylem.com



Xylem Inc.
8200 N. Austin Avenue
Morton Grove, Illinois 60053
Phone: (847) 966-3700
Fax: (847) 965-8379
www.bellgossett.com

Bell & Gossett is a trademark of Xylem Inc. or one of its subsidiaries.
© 2021 Xylem Inc. CP-450D-PL R2 January 2021