



**BRADFORD WHITE**<sup>®</sup>  
W A T E R   H E A T E R S

**COMMERCIAL ELECTRIC ENERGY SAVER  
REPLACEMENT PARTS LIST  
ASME Series**



**Models Covered:**  
CEA(6,12,20,30,40,50,80,120)-kW-3  
(6,12,20,30)A-kW-3

Includes Hydrojet<sup>®</sup> Total  
Performance System

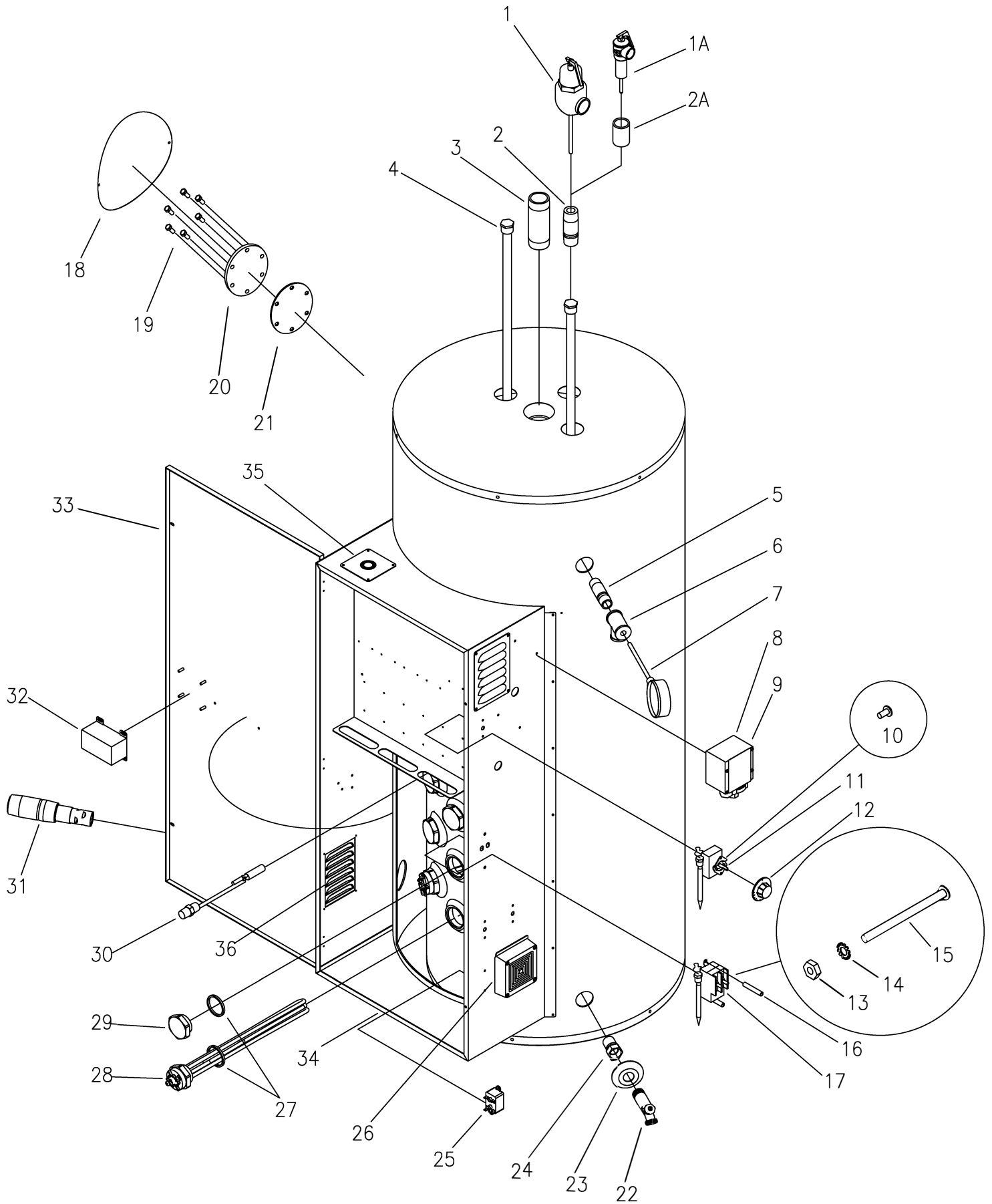
**Effective: January, 2023**  
**ECO 8248-3**

**NOTE: BOTH MODEL AND SERIAL  
NUMBERS ARE REQUIRED FOR  
ORDERING REPLACEMENT PARTS**

Dimensions and specifications  
subject to change without notice.

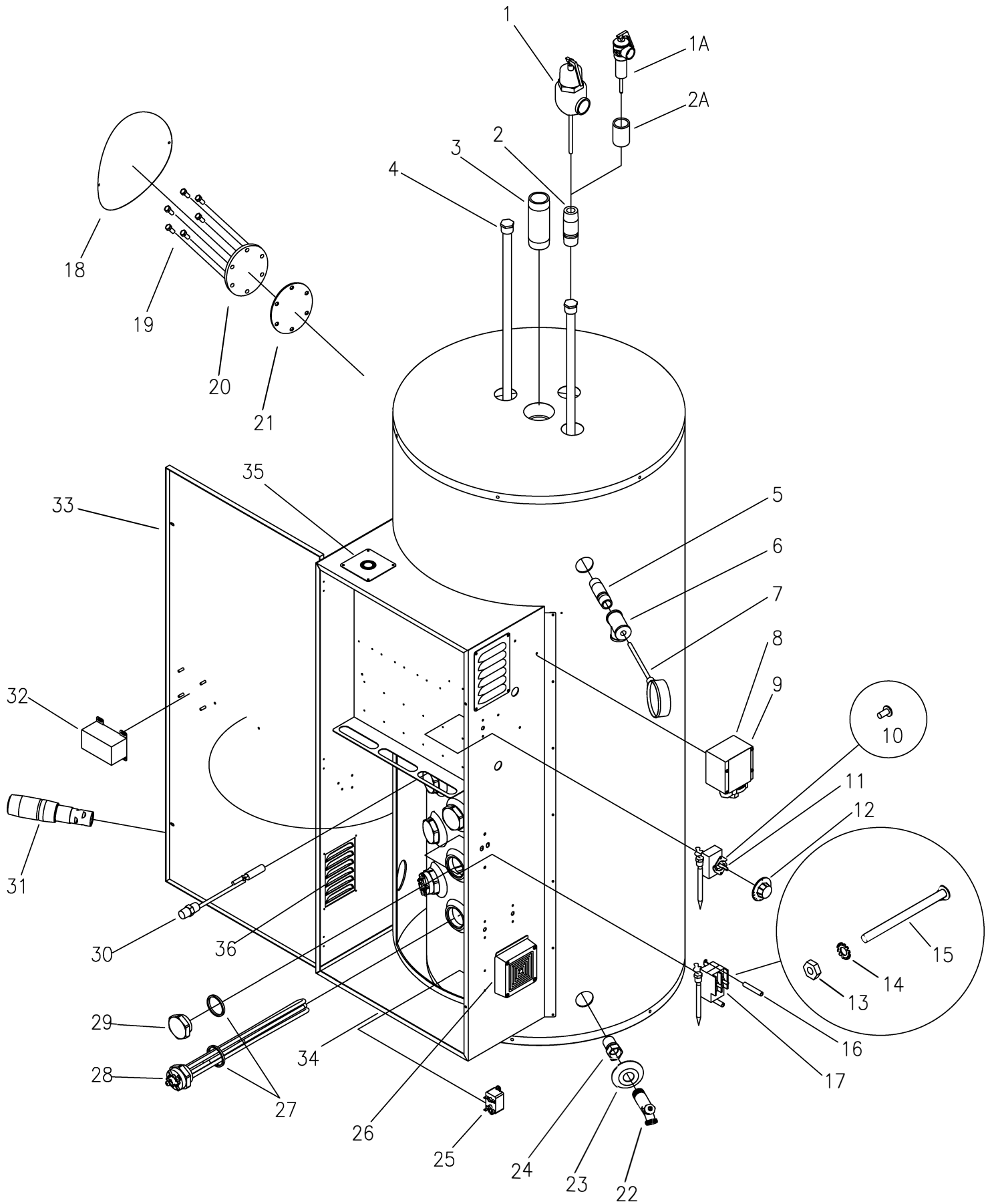
**WARNING**  
CANCER AND REPRODUCTIVE HARM  
[WWW.P65WARNINGS.CA.GOV](http://WWW.P65WARNINGS.CA.GOV)

As required by the state of California Proposition 65.



| Item | Description                        | Model<br>CEA6-kW-3     | Model<br>CEA12-kW-3    | Model<br>CEA20-kW-3    | Model<br>CEA30-kW-3    |
|------|------------------------------------|------------------------|------------------------|------------------------|------------------------|
| 1    | T&P Relief Valve (Female Threads)  | ---                    | ---                    | ---                    | 230-30246-00 (3/4"NPT) |
| 1A   | T&P Relief Valve (Male Threads)    | 230-32920-04 (3/4"NPT) | 230-32920-04 (3/4"NPT) | 230-32920-04 (3/4"NPT) | ---                    |
| 2    | Nipple-Plastisert                  | ---                    | ---                    | ---                    | 229-32762-03           |
| 2A   | Coupling                           | 239-46679-00           | 239-46679-00           | 239-46679-00           | ---                    |
| 3    | Hot Water Outlet Nipple-Plastisert | 229-32762-03           | 229-32762-03           | 229-32762-03           | 229-32762-03           |
| 4    | Magnesium Anode Rod                | 415-47782-01           | 415-47782-02           | 415-47782-02           | 224-47782-04           |
|      | Aluminum Anode Rod                 | 415-38508-08           | 415-38508-02           | 415-38508-02           | 224-38508-04           |
|      | Aluminum Anode Rod (A420)#         | 415-49559-04           | 415-49559-04           | 415-49559-04           | 224-49559-04           |
| 5    | Nipple-3/4 NPT X 1-3/8 Galvanized  | 239-81075-00           | 239-81075-00           | 239-81075-00           | ---                    |
|      | Nipple-3/4 NPT X 3-1/2 Plastisert  | ---                    | ---                    | ---                    | ---                    |
| 6    | Galvanized Tee-3/4 X 1/2 X 1/2 NPT | 239-41925-00           | 239-41925-00           | 239-41925-00           | 239-41925-00           |
| 7    | Combination T&P Gage (Optional)    | 264-41987-00           | 264-41987-00           | 264-41987-00           | 264-41987-00           |
| 8    | Pressure Switch (High) (Optional)  | 264-42004-01           | 264-42004-01           | 264-42004-01           | 264-42004-01           |
| 9    | Pressure Switch (Low) (Optional)   | 264-42004-02           | 264-42004-02           | 264-42004-02           | 264-42004-02           |
| 10   | Screw-#6-32 X 1/4                  | 264-81722-00 (Qty. 2)  | 264-81722-00 (Qty. 2)  | 264-81722-00 (Qty. 2)  | 264-81722-00 (Qty. 2)  |
| 11   | Immersion Thermostat               | 264-33460-00           | 264-33460-00           | 264-33460-00           | 264-33460-00           |
| 12   | Thermostat Dial                    | 264-33459-00           | 264-33459-00           | 264-33459-00           | 264-33459-00           |
| 13   | Hex Nut-#10-32                     | 239-34049-00 (Qty. 2)  | 239-34049-00 (Qty. 2)  | 239-34049-00 (Qty. 2)  | 239-34049-00 (Qty. 2)  |
| 14   | External Tooth Washer #10          | 239-81540-00 (Qty. 2)  | 239-81540-00 (Qty. 2)  | 239-81540-00 (Qty. 2)  | 239-81540-00 (Qty. 2)  |
| 15   | Screw-#10-32 X 2 1/2               | 239-34048-00 (Qty. 2)  | 239-34048-00 (Qty. 2)  | 239-34048-00 (Qty. 2)  | 239-34048-00 (Qty. 2)  |
| 16   | High Limit Spacer                  | 264-34190-00 (Qty. 2)  | 264-34190-00 (Qty. 2)  | 264-34190-00 (Qty. 2)  | 264-34190-00 (Qty. 2)  |
| 17   | High Limit Switch                  | 264-33461-00           | 264-33461-00           | 264-33461-00           | 264-33461-00           |
| 18   | Cleanout Cover (Jacket)            | ---                    | ---                    | 243-42497-00           | 243-42497-00           |
| 19   | Cleanout Screw-5/16-18 X 3/4       | ---                    | ---                    | 239-32970-00 (Qty. 6)  | 239-32970-00 (Qty. 6)  |
| 20   | Cleanout Cover (Tank)              | ---                    | ---                    | 205-32941-00           | 205-32941-00           |
| 21   | Cleanout Gasket                    | ---                    | ---                    | 205-32942-00           | 205-32942-00           |
| 22   | Brass Drain Valve                  | 415-42351-04           | 415-42351-04           | 415-42351-04           | 415-42351-04           |
| 23   | Finished Flange-2 7/8 O.D.         | ---                    | ---                    | ---                    | ---                    |
| 24   | Extender-3/4 X 2                   | ---                    | ---                    | ---                    | ---                    |
| 25   | Alarm Horn Relay (Optional)        | 264-42002-00           | 264-42002-00           | 264-42002-00           | 264-42002-00           |
| 26   | Alarm Horn (Optional)              | 264-42001-00           | 264-42001-00           | 264-42001-00           | 264-42001-00           |
| 27   | Heating Element Gasket             | 223-42016-00           | 223-42016-00           | 223-42016-00           | 223-42016-00           |
| 28   | Heating Element                    | See Element Table      | See Element Table      | See Element Table      | See Element Table      |
| 29   | Heating Element Plug               | 223-42015-00           | 223-42015-00           | 223-42015-00           | 223-42015-00           |
| 30   | Low Water Switch (Optional)        | 264-42000-00           | 264-42000-00           | 264-42000-00           | 264-42000-00           |
| 31   | Cold Water Inlet Nipple            | 229-45268-00           | 229-45268-00           | 229-45268-00           | 229-45268-00           |
| 32   | Electrical Door Lock (Optional)    | 264-42003-00           | 264-42003-00           | 264-42003-00           | 264-42003-00           |
| 33   | Control Box Door                   | 239-41944-00           | 239-41945-00           | 239-41946-00           | 239-41947-00           |
| 34   | Control Box                        | 239-42659-00           | 239-42660-00           | 239-42661-00           | 239-42663-00           |
| 35   | Knockout Plate (Small)             | 239-41966-00           | 239-41966-00           | 239-41966-00           | 239-41966-00           |
|      | Knockout Plate (Large)             | 239-41967-00           | 239-41967-00           | 239-41967-00           | 239-41967-00           |
| 36   | Louver Plate                       | 239-41963-00           | 239-41963-00           | 239-41963-00           | 239-41963-00           |

# A420 Anode may need to be cut to length

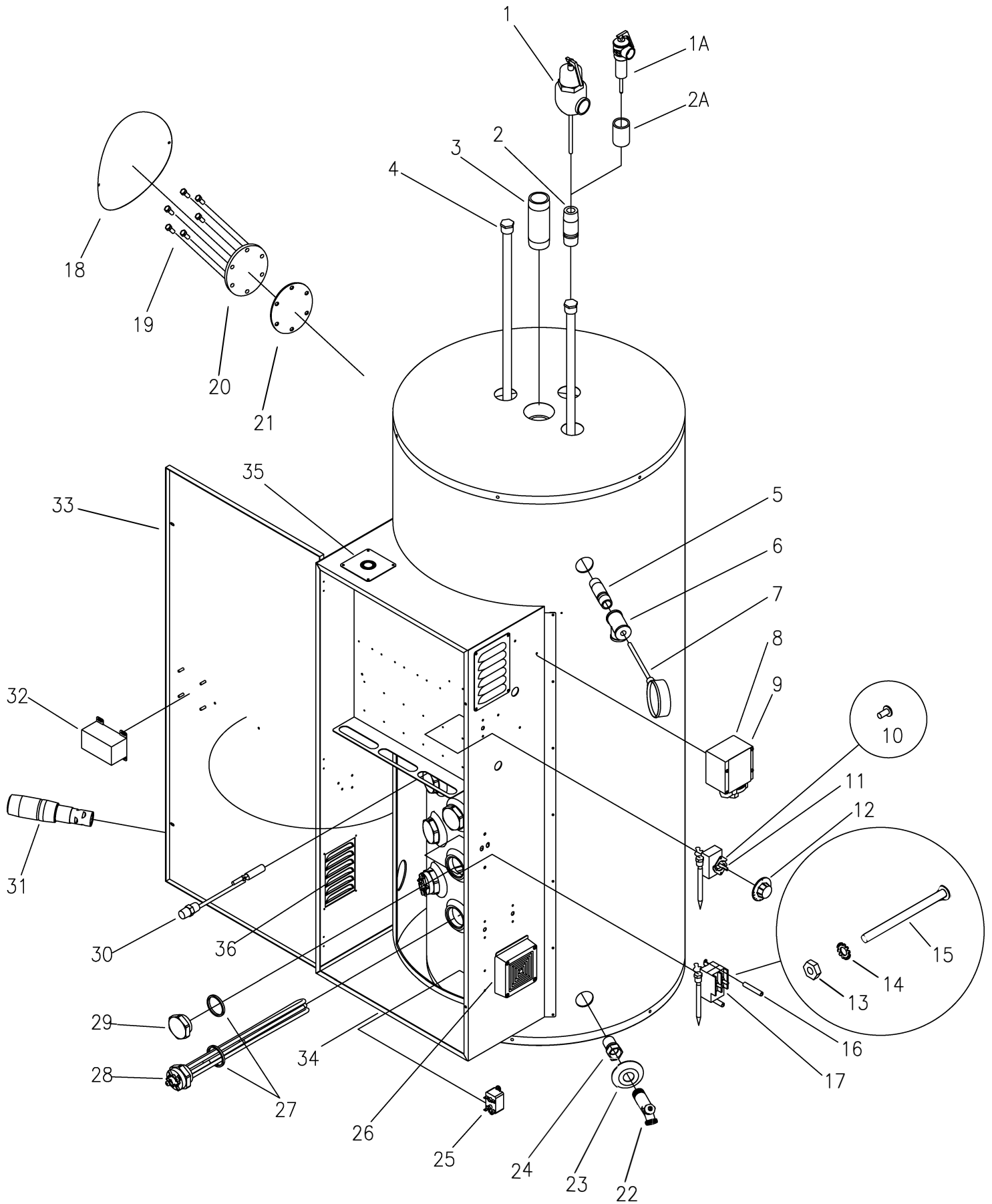


| Item | Description  | Model        | Model        | Model        | Model        |
|------|--|--------------|--------------|--------------|--------------|
|      |  | CEA6-kW-3    | CEA12-kW-3   | CEA20-kW-3   | CEA30-kW-3   |
| 37   | Contactors 2 Pole (35A)                            | 264-41986-01 | 264-41986-01 | 264-41986-01 | 264-41986-01 |
|      | Contactors 2 Pole (50A)                            | 264-41986-02 | 264-41986-02 | 264-41986-02 | 264-41986-02 |
| 38   | Contactors 3 Pole (35A)                            | 264-41988-01 | 264-41988-01 | 264-41988-01 | 264-41988-01 |
|      | Contactors 3 Pole (50A)                            | 264-41988-02 | 264-41988-02 | 264-41988-02 | 264-41988-02 |
| 39   | Contactors 4 Pole (35A)                            | 264-41989-01 | 264-41989-01 | 264-41989-01 | 264-41989-01 |
|      | Contactors 4 Pole (50A)                            | 264-41989-02 | 264-41989-02 | 264-41989-02 | 264-41989-02 |
| 40   | Screw-#8-18 X 1/2                                  | 239-32761-00 | 239-32761-00 | 239-32761-00 | 239-32761-00 |
| 41   | Terminal Block (Block A)                           | 264-32240-00 | 264-32240-00 | 264-32240-00 | 264-32240-00 |
| 42   | Terminal Block End (Use for Block A)               | 264-32241-00 | 264-32241-00 | 264-32241-00 | 264-32241-00 |
| 43   | Terminal Block (2 Pole)                            | 264-32244-00 | 264-32244-00 | 264-32244-00 | 264-32244-00 |
| 44   | Terminal Block (3 Pole)                            | 264-32245-00 | 264-32245-00 | 264-32245-00 | 264-32245-00 |
| 45   | Screw-#8-18 X 1 1/2                                | 264-34197-00 | 264-34197-00 | 264-34197-00 | 264-34197-00 |
| 46   | Fuse Block 2 Pole G Class (60A, 480V)              | 264-32263-00 | 264-32263-00 | 264-32263-00 | 264-32263-00 |
| 47   | Fuse Block 3 Pole G Class (60A, 480V)              | 264-32264-00 | 264-32264-00 | 264-32264-00 | 264-32264-00 |
| 48   | Fuse Block 2 Pole CC Class (3A, 600V)              | 264-53307-00 | 264-53307-00 | 264-53307-00 | 264-53307-00 |
| 49   | Fuse Block 3 Pole T Class (60A, 600V)              | 264-41975-00 | 264-41975-00 | 264-41975-00 | 264-41975-00 |
|      | Fuse Block 3 Pole T Class (30A, 600V)              | 264-42568-00 | 264-42568-00 | 264-42568-00 | 264-42568-00 |
| 50   | Terminal Strip (5 Post)                            | 264-42006-00 | 264-42006-00 | 264-42006-00 | 264-42006-00 |
| 51   | Terminal Strip (2 Post)                            | 264-42007-00 | 264-42007-00 | 264-42007-00 | 264-42007-00 |
| 52   | Fuse G Class (40A)                                 | 264-32267-00 | 264-32267-00 | 264-32267-00 | 264-32267-00 |
|      | Fuse G Class (50A)                                 | 264-32268-00 | 264-32268-00 | 264-32268-00 | 264-32268-00 |
|      | Fuse G Class (60A)                                 | 264-32269-00 | 264-32269-00 | 264-32269-00 | 264-32269-00 |
|      | Fuse T Class (30A)                                 | 264-41976-01 | 264-41976-01 | 264-41976-01 | 264-41976-01 |
| 53   | Fuse T Class (40A)                                 | 264-41976-02 | 264-41976-02 | 264-41976-02 | 264-41976-02 |
|      | Fuse T Class (50A)                                 | 264-41976-03 | 264-41976-03 | 264-41976-03 | 264-41976-03 |
|      | Fuse CC Class (3A)                                 | 264-53306-00 | 264-53306-00 | 264-53306-00 | 264-53306-00 |
| 54   | Ground Lug Large (Wire Range 8-1/0)                | 264-32250-00 | 264-32250-00 | 264-32250-00 | 264-32250-00 |
| 55   | Ground Lug Small (Wire Range 14-8)                 | 264-32251-00 | 264-32251-00 | 264-32251-00 | 264-32251-00 |
| 56   | Screw-#10-32 X 1/2                                 | 239-33938-00 | 239-33938-00 | 239-33938-00 | 239-33938-00 |
| 57   | Control Circuit Transformer 60va (208/240/480 VAC) | 415-41994-01 | 415-41994-01 | 415-41994-01 | 415-41994-01 |
|      | Control Circuit Transformer 60va (277/380/415 VAC) | 415-41994-02 | 415-41994-02 | 415-41994-02 | 415-41994-02 |
| 58   | Control Circuit Transformer 60va (600 VAC)         | 415-41996-00 | 415-41996-00 | 415-41996-00 | 415-41996-00 |
| 59   | Time Delay Sequencer                               | 264-41997-00 | 264-41997-00 | 264-41997-00 | 264-41997-00 |



| Item Description                     | Model<br>6A-kw-3        | Model<br>12A-kw-3       | Model<br>20A-kw-3       | Model<br>30A-kw-3       | Model<br>CEA40-kw-3     | Model<br>CEA50-kw-3   | Model<br>CEA80-kw-3   | Model<br>CEA120-kw-3  |
|--------------------------------------|-------------------------|-------------------------|-------------------------|-------------------------|-------------------------|-----------------------|-----------------------|-----------------------|
| 1 T&P Relief Valve (Female Threads)  | ---                     | ---                     | ---                     | 230-30246-00 (3/4" NPT) | 230-30246-00 (3/4" NPT) | 230-33630-04 (1" NPT) | 230-33630-04 (1" NPT) | 230-33630-04 (1" NPT) |
| 1A T&P Relief Valve (Male Threads)   | 230-32920-04 (3/4" NPT) | 230-32920-04 (3/4" NPT) | 230-32920-04 (3/4" NPT) | ---                     | ---                     | ---                   | ---                   | ---                   |
| 2 Nipple-Plastisert                  | ---                     | ---                     | ---                     | 229-32762-03            | 229-32762-03            | 229-32762-21          | 229-32762-20          | 229-32762-21          |
| 2A Coupling                          | 239-46679-00            | 239-46679-00            | 239-46679-00            | ---                     | ---                     | ---                   | ---                   | ---                   |
| 3 Hot Water Outlet Nipple-Plastisert | 229-32762-03            | 229-32762-03            | 229-32762-03            | 229-32762-03            | 229-32762-03            | 229-40913-06          | 229-40913-06          | 229-40913-06          |
| 4 Magnesium Anode Rod                | 224-32758-32            | 224-32758-32            | 224-32758-33            | 224-32758-34            | 415-47782-11            | 224-47782-11 (Qty. 2) | 224-47782-11 (Qty. 2) | 224-47782-11 (Qty. 2) |
| Aluminum Anode Rod                   | 415-38508-08            | 415-38508-08            | 415-38508-02            | 415-38508-04            | 415-38508-03            | 224-38508-03 (Qty. 2) | 224-38508-07 (Qty. 2) | 224-38508-07 (Qty. 2) |
| Aluminum Anode Rod (A420)#           | 415-49559-04            | 415-49559-04            | 415-49559-04            | 415-49559-04            | 415-49559-04            | 415-49559-04          | 415-49559-04          | 415-49559-04          |
| 5 Nipple-3/4 NPT X 1-3/8 Galvanized  | 239-81075-00            | 239-81075-00            | 239-81075-00            | ---                     | ---                     | ---                   | ---                   | ---                   |
| Nipple-3/4 NPT X 3-1/2 Plastisert    | ---                     | ---                     | ---                     | ---                     | ---                     | 229-32762-08          | 229-32762-08          | 229-32762-08          |
| 6 Galvanized Tee-3/4 X 1/2 X 1/2 NPT | 239-41925-00            | 239-41925-00            | 239-41925-00            | 239-41925-00            | 239-41925-00            | 239-41925-00          | 239-41925-00          | 239-41925-00          |
| 7 Combination T&P Gage (Optional)    | 264-41987-00            | 264-41987-00            | 264-41987-00            | 264-41987-00            | 264-41987-00            | 264-41987-00          | 264-41987-00          | 264-41987-00          |
| 8 Pressure Switch (High) (Optional)  | 264-42004-01            | 264-42004-01            | 264-42004-01            | 264-42004-01            | 264-42004-01            | 264-42004-01          | 264-42004-01          | 264-42004-01          |
| 9 Pressure Switch (Low) (Optional)   | 264-42004-02            | 264-42004-02            | 264-42004-02            | 264-42004-02            | 264-42004-02            | 264-42004-02          | 264-42004-02          | 264-42004-02          |
| 10 Screw-#6-32 X 1/4                 | 264-81722-00 (Qty. 2)   | 264-81722-00 (Qty. 2)   | 264-81722-00 (Qty. 2)   | 264-81722-00 (Qty. 2)   | 264-81722-00 (Qty. 2)   | 264-81722-00 (Qty. 2) | 264-81722-00 (Qty. 2) | 264-81722-00 (Qty. 2) |
| 11 Immersion Thermostat              | 264-33460-00            | 264-33460-00            | 264-33460-00            | 264-33460-00            | 264-33460-00            | 264-33460-00          | 264-33460-00          | 264-33460-00          |
| 12 Thermostat Dial                   | 264-33459-00            | 264-33459-00            | 264-33459-00            | 264-33459-00            | 264-33459-00            | 264-33459-00          | 264-33459-00          | 264-33459-00          |
| 13 Hex Nut-#10-32                    | 239-34049-00 (Qty. 2)   | 239-34049-00 (Qty. 2)   | 239-34049-00 (Qty. 2)   | 239-34049-00 (Qty. 2)   | 239-34049-00 (Qty. 2)   | 239-34049-00 (Qty. 2) | 239-34049-00 (Qty. 2) | 239-34049-00 (Qty. 2) |
| 14 External Tooth Washer #10         | 239-81540-00 (Qty. 2)   | 239-81540-00 (Qty. 2)   | 239-81540-00 (Qty. 2)   | 239-81540-00 (Qty. 2)   | 239-81540-00 (Qty. 2)   | 239-81540-00 (Qty. 2) | 239-81540-00 (Qty. 2) | 239-81540-00 (Qty. 2) |
| 15 Screw-#10-32 X 2 1/2              | 239-34048-00 (Qty. 2)   | 239-34048-00 (Qty. 2)   | 239-34048-00 (Qty. 2)   | 239-34048-00 (Qty. 2)   | 239-34048-00 (Qty. 2)   | 239-34048-00 (Qty. 2) | 239-34048-00 (Qty. 2) | 239-34048-00 (Qty. 2) |
| 16 High Limit Spacer                 | 264-34190-00 (Qty. 2)   | 264-34190-00 (Qty. 2)   | 264-34190-00 (Qty. 2)   | 264-34190-00 (Qty. 2)   | 264-34190-00 (Qty. 2)   | 264-34190-00 (Qty. 2) | 264-34190-00 (Qty. 2) | 264-34190-00 (Qty. 2) |
| 17 High Limit Switch                 | 264-33461-00            | 264-33461-00            | 264-33461-00            | 264-33461-00            | 264-33461-00            | 264-33461-00          | 264-33461-00          | 264-33461-00          |
| 18 Cleanout Cover (Jacket)           | ---                     | ---                     | 243-42497-00            | 243-42497-00            | 243-42497-00            | 243-20299-00          | 243-20299-00          | 243-20299-00          |
| 19 Cleanout Screw-5/16-18 X 3/4      | ---                     | ---                     | 239-32970-00 (Qty. 6)   | 239-32970-00 (Qty. 6)   | 239-32970-00 (Qty. 6)   | 239-32970-00 (Qty. 6) | 239-32970-00 (Qty. 6) | 239-32970-00 (Qty. 6) |
| 20 Cleanout Cover (Tank)             | ---                     | ---                     | 205-32941-00            | 205-32941-00            | 205-32941-00            | 205-32941-00          | 205-32941-00          | 205-32941-00          |
| 21 Cleanout Gasket                   | ---                     | ---                     | 205-32942-00            | 205-32942-00            | 205-32942-00            | 205-32942-00          | 205-32942-00          | 205-32942-00          |
| 22 Brass Drain Valve                 | 415-42351-04            | 415-42351-04            | 415-42351-04            | 415-42351-04            | 415-42351-04            | 415-42351-04          | 415-42351-04          | 415-42351-04          |
| 23 Finished Flange-2 7/8 O.D.        | ---                     | ---                     | ---                     | ---                     | ---                     | 239-41414-00          | 239-41414-00          | 239-41414-00          |
| 24 Extender-3/4 X 2                  | ---                     | ---                     | ---                     | ---                     | ---                     | 229-19100-00          | 229-19100-00          | 229-19100-00          |
| 25 Alarm Horn Relay (Optional)       | 264-42002-00            | 264-42002-00            | 264-42002-00            | 264-42002-00            | 264-42002-00            | 264-42002-00          | 264-42002-00          | 264-42002-00          |
| 26 Alarm Horn (Optional)             | 264-42001-00            | 264-42001-00            | 264-42001-00            | 264-42001-00            | 264-42001-00            | 264-42001-00          | 264-42001-00          | 264-42001-00          |
| 27 Heating Element Gasket            | 223-42016-00            | 223-42016-00            | 223-42016-00            | 223-42016-00            | 223-42016-00            | 223-42016-00          | 223-42016-00          | 223-42016-00          |
| 28 Heating Element                   | See Element Table       | See Element Table       | See Element Table       | See Element Table       | See Element Table       | See Element Table     | See Element Table     | See Element Table     |
| 29 Heating Element Plug              | 223-42015-00            | 223-42015-00            | 223-42015-00            | 223-42015-00            | 223-42015-00            | 223-42015-00          | 223-42015-00          | 223-42015-00          |
| 30 Low Water Switch (Optional)       | 264-42000-00            | 264-42000-00            | 264-42000-00            | 264-42000-00            | 264-42000-00            | 264-42000-00          | 264-42000-00          | 264-42000-00          |
| 31 Cold Water Inlet Nipple           | 229-45268-00            | 229-45268-00            | 229-45268-00            | 229-45268-00            | 229-45268-00            | 415-44731-00          | 415-44731-00          | 415-44731-00          |
| 32 Electrical Door Lock (Optional)   | 264-42003-00            | 264-42003-00            | 264-42003-00            | 264-42003-00            | 264-42003-00            | 264-42003-00          | 264-42003-00          | 264-42003-00          |
| 33 Control Box Door                  | 239-41944-00            | 239-41945-00            | 239-41946-00            | 239-41947-00            | 239-41947-00            | 239-42105-00          | 239-42105-00          | 239-42105-00          |
| 34 Control Box                       | 239-42659-00            | 239-42660-00            | 239-42661-00            | 239-42663-00            | 239-42663-00            | 239-42106-00          | 239-42107-00          | 239-42108-00          |
| 35 Knockout Plate (Small)            | 239-41966-00-01         | 239-41966-00-01         | 239-41966-00-01         | 239-41966-00-01         | 239-41966-00-01         | 239-41966-00-01       | 239-41966-00-01       | 239-41966-00-01       |
| Knockout Plate (Large)               | 239-41967-00-01         | 239-41967-00-01         | 239-41967-00-01         | 239-41967-00-01         | 239-41967-00-01         | 239-41967-00-01       | 239-41967-00-01       | 239-41967-00-01       |
| 36 Louver Plate                      | 239-41963-00-01         | 239-41963-00-01         | 239-41963-00-01         | 239-41963-00-01         | 239-41963-00-01         | 239-41963-00-01       | 239-41963-00-01       | 239-41963-00-01       |

# A420 Anode may need to be cut to length



| Item | Description  | Model<br>6A-kw-3 | Model<br>12A-kw-3 | Model<br>20A-kw-3 | Model<br>30A-kw-3 | Model<br>CEA40-kw-3 | Model<br>CEA50-kw-3 | Model<br>CEA80-kw-3 | Model<br>CEA120-kw-3 |
|------|--|------------------|-------------------|-------------------|-------------------|---------------------|---------------------|---------------------|----------------------|
| 37   | Contact 2 Pole (35A)                               | 264-41986-01     | 264-41986-01      | 264-41986-01      | 264-41986-01      | 264-41986-01        | 264-41986-01        | 264-41986-01        | 264-41986-01         |
|      | Contact 2 Pole (50A)                               | 264-41986-02     | 264-41986-02      | 264-41986-02      | 264-41986-02      | 264-41986-02        | 264-41986-02        | 264-41986-02        | 264-41986-02         |
| 38   | Contact 3 Pole (35A)                               | 264-41988-01     | 264-41988-01      | 264-41988-01      | 264-41988-01      | 264-41988-01        | 264-41988-01        | 264-41988-01        | 264-41988-01         |
|      | Contact 3 Pole (50A)                               | 264-41988-02     | 264-41988-02      | 264-41988-02      | 264-41988-02      | 264-41988-02        | 264-41988-02        | 264-41988-02        | 264-41988-02         |
| 39   | Contact 4 Pole (35A)                               | 264-41989-01     | 264-41989-01      | 264-41989-01      | 264-41989-01      | 264-41989-01        | 264-41989-01        | 264-41989-01        | 264-41989-01         |
|      | Contact 4 Pole (50A)                               | 264-41989-02     | 264-41989-02      | 264-41989-02      | 264-41989-02      | 264-41989-02        | 264-41989-02        | 264-41989-02        | 264-41989-02         |
| 40   | Screw #8-18 X 1/2                                  | 239-32761-00     | 239-32761-00      | 239-32761-00      | 239-32761-00      | 239-32761-00        | 239-32761-00        | 239-32761-00        | 239-32761-00         |
| 41   | Terminal Block (Block A)                           | 264-32240-00     | 264-32240-00      | 264-32240-00      | 264-32240-00      | 264-32240-00        | 264-32240-00        | 264-32240-00        | 264-32240-00         |
| 42   | Terminal Block End (Use for Block A)               | 264-32241-00     | 264-32241-00      | 264-32241-00      | 264-32241-00      | 264-32241-00        | 264-32241-00        | 264-32241-00        | 264-32241-00         |
| 43   | Terminal Block (2 Pole)                            | 264-32244-00     | 264-32244-00      | 264-32244-00      | 264-32244-00      | 264-32244-00        | 264-32244-00        | 264-32244-00        | 264-32244-00         |
| 44   | Terminal Block (3 Pole)                            | 264-32245-00     | 264-32245-00      | 264-32245-00      | 264-32245-00      | 264-32245-00        | 264-32245-00        | 264-32245-00        | 264-32245-00         |
| 45   | Screw #8-18 X 1 1/2                                | 264-34197-00     | 264-34197-00      | 264-34197-00      | 264-34197-00      | 264-34197-00        | 264-34197-00        | 264-34197-00        | 264-34197-00         |
| 46   | Fuse Block 2 Pole G Class (60A, 480V)              | 264-32263-00     | 264-32263-00      | 264-32263-00      | 264-32263-00      | 264-32263-00        | 264-32263-00        | 264-32263-00        | 264-32263-00         |
| 47   | Fuse Block 3 Pole G Class (60A, 480V)              | 264-32264-00     | 264-32264-00      | 264-32264-00      | 264-32264-00      | 264-32264-00        | 264-32264-00        | 264-32264-00        | 264-32264-00         |
| 48   | Fuse Block 2 Pole CC Class (3A, 600V)              | 264-53307-00     | 264-53307-00      | 264-53307-00      | 264-53307-00      | 264-53307-00        | 264-53307-00        | 264-53307-00        | 264-53307-00         |
| 49   | Fuse Block 3 Pole T Class (60A, 600V)              | 264-41975-00     | 264-41975-00      | 264-41975-00      | 264-41975-00      | 264-41975-00        | 264-41975-00        | 264-41975-00        | 264-41975-00         |
|      | Fuse Block 3 Pole T Class (30A, 600V)              | 264-42568-00     | 264-42568-00      | 264-42568-00      | 264-42568-00      | 264-42568-00        | 264-42568-00        | 264-42568-00        | 264-42568-00         |
| 50   | Terminal Strip (5 Post)                            | 264-42006-00     | 264-42006-00      | 264-42006-00      | 264-42006-00      | 264-42006-00        | 264-42006-00        | 264-42006-00        | 264-42006-00         |
| 51   | Terminal Strip (2 Post)                            | 264-42007-00     | 264-42007-00      | 264-42007-00      | 264-42007-00      | 264-42007-00        | 264-42007-00        | 264-42007-00        | 264-42007-00         |
| 52   | Fuse G Class (40A)                                 | 264-32267-00     | 264-32267-00      | 264-32267-00      | 264-32267-00      | 264-32267-00        | 264-32267-00        | 264-32267-00        | 264-32267-00         |
|      | Fuse G Class (50A)                                 | 264-32268-00     | 264-32268-00      | 264-32268-00      | 264-32268-00      | 264-32268-00        | 264-32268-00        | 264-32268-00        | 264-32268-00         |
|      | Fuse G Class (60A)                                 | 264-32269-00     | 264-32269-00      | 264-32269-00      | 264-32269-00      | 264-32269-00        | 264-32269-00        | 264-32269-00        | 264-32269-00         |
| 53   | Fuse T Class (30A)                                 | 264-41976-01     | 264-41976-01      | 264-41976-01      | 264-41976-01      | 264-41976-01        | 264-41976-01        | 264-41976-01        | 264-41976-01         |
|      | Fuse T Class (40A)                                 | 264-41976-02     | 264-41976-02      | 264-41976-02      | 264-41976-02      | 264-41976-02        | 264-41976-02        | 264-41976-02        | 264-41976-02         |
|      | Fuse T Class (50A)                                 | 264-41976-03     | 264-41976-03      | 264-41976-03      | 264-41976-03      | 264-41976-03        | 264-41976-03        | 264-41976-03        | 264-41976-03         |
| 54   | Fuse CC Class (3A)                                 | 264-53306-00     | 264-53306-00      | 264-53306-00      | 264-53306-00      | 264-53306-00        | 264-53306-00        | 264-53306-00        | 264-53306-00         |
| 55   | Ground Lug Large (Wire Range 8-1/0)                | 264-32250-00     | 264-32250-00      | 264-32250-00      | 264-32250-00      | 264-32250-00        | 264-32250-00        | 264-32250-00        | 264-32250-00         |
| 56   | Ground Lug Small (Wire Range 14-8)                 | 264-32251-00     | 264-32251-00      | 264-32251-00      | 264-32251-00      | 264-32251-00        | 264-32251-00        | 264-32251-00        | 264-32251-00         |
| 57   | Screw #10-32 X 1/2                                 | 239-33938-00     | 239-33938-00      | 239-33938-00      | 239-33938-00      | 239-33938-00        | 239-33938-00        | 239-33938-00        | 239-33938-00         |
| 58   | Control Circuit Transformer 60va (208/240/480 VAC) | 415-41994-01     | 415-41994-01      | 415-41994-01      | 415-41994-01      | 415-41994-01        | 415-41994-01        | 415-41994-01        | 415-41994-01         |
|      | Control Circuit Transformer 60va (277/380/415 VAC) | 415-41994-02     | 415-41994-02      | 415-41994-02      | 415-41994-02      | 415-41994-02        | 415-41994-02        | 415-41994-02        | 415-41994-02         |
| 59   | Control Circuit Transformer 60va (600 VAC)         | 415-41996-00     | 415-41996-00      | 415-41996-00      | 415-41996-00      | 415-41996-00        | 415-41996-00        | 415-41996-00        | 415-41996-00         |
| 60   | Time Delay Sequencer                               | 264-41997-00     | 264-41997-00      | 264-41997-00      | 264-41997-00      | 264-41997-00        | 264-41997-00        | 264-41997-00        | 264-41997-00         |

Heating Elements (Incoloy) for:  
CEA ASME Series

| Wattage   | 208 Volt                     | 240 Volt     | 277 Volt     | 380Volt      |
|-----------|------------------------------|--------------|--------------|--------------|
| 1000W ▲   | ---                          | ---          | ---          | ---          |
| 2000W ▲   | 220-41985-01                 | 220-41985-08 | 220-41985-15 | 220-41985-43 |
| 3000W ▲ ▲ | 220-41985-02                 | 220-41985-09 | 220-41985-16 | 220-41985-44 |
| 4000W*    | 220-41985-03                 | 220-41985-10 | 220-41985-17 | 220-41985-45 |
| 4500W*    | 220-41985-13                 | 220-41985-11 | 220-41985-18 | 220-41985-46 |
| 5000W*    | <a href="#">220-41985-05</a> | 220-41985-12 | 220-41985-19 | 220-41985-47 |
| 6000W*    | 220-41985-06                 | 220-41985-13 | 220-41985-20 | 220-41985-57 |
| 9000W**   | 220-41985-51                 | 220-41985-52 | 220-41985-53 | 220-41985-50 |

| Wattage   | 400 Volt     | 415 Volt     | 480 Volt                     | 600 Volt     |
|-----------|--------------|--------------|------------------------------|--------------|
| 1000W ▲   | 220-41985-58 | ---          | ---                          | ---          |
| 2000W ▲   | 220-41985-59 | 220-41985-22 | 220-41985-29                 | 220-41985-36 |
| 3000W ▲ ▲ | 220-41985-60 | 220-41985-23 | 220-41985-30                 | 220-41985-37 |
| 4000W*    | 220-41985-61 | 220-41985-24 | 220-41985-31                 | 220-41985-38 |
| 4500W*    | 220-41985-62 | 220-41985-25 | 220-41985-32                 | 220-41985-39 |
| 5000W*    | 220-41985-63 | 220-41985-26 | 220-41985-33                 | 220-41985-40 |
| 6000W*    | 220-41985-64 | 220-41985-27 | 220-41985-34                 | 220-41985-41 |
| 9000W**   | 220-41985-65 | 220-41985-54 | <a href="#">220-41985-55</a> | 220-41985-56 |

- ▲ For 12" diameter tanks and above.
- ▲▲ For 14" diameter tanks and above.
- \* For 16" diameter tanks and above.
- \*\* For 18" diameter tanks and above.



## United States

---

**Sales** 800-523-2931

**Technical Support** 800-334-3393

**Email** [techserv@bradfordwhite.com](mailto:techserv@bradfordwhite.com)

**Warranty** 800-531-2111

**Email** [warranty@bradfordwhite.com](mailto:warranty@bradfordwhite.com)

**Service Parts** 800-538-2020

**Email** [parts@bradfordwhite.com](mailto:parts@bradfordwhite.com)

## Canada

---

**Sales & Technical Support** 866-690-0961 905-203-0600

**Fax** 905-636-0666

**Warranty** [bwccwarranty@bradfordwhite.com](mailto:bwccwarranty@bradfordwhite.com)

**Technical Support** [bwcctech@bradfordwhite.com](mailto:bwcctech@bradfordwhite.com)

**Service Parts** [orders@bradfordwhitecanada.com](mailto:orders@bradfordwhitecanada.com)

**Orders** [ca.orders@bradfordwhite.com](mailto:ca.orders@bradfordwhite.com)

For U.S. and Canada field service,  
contact your professional installer or  
local Bradford White sales representative.

## International

---

**General Contact** [international@bradfordwhite.com](mailto:international@bradfordwhite.com)