



RESIDENTIAL STORAGE TANK REPLACEMENT PARTS LIST

AST 40, 50, 80, 120 Gallon Models



Models Covered:

AST-40-6

AST-50-6

AST-80-6

AST-120-6

*Denotes warranty year

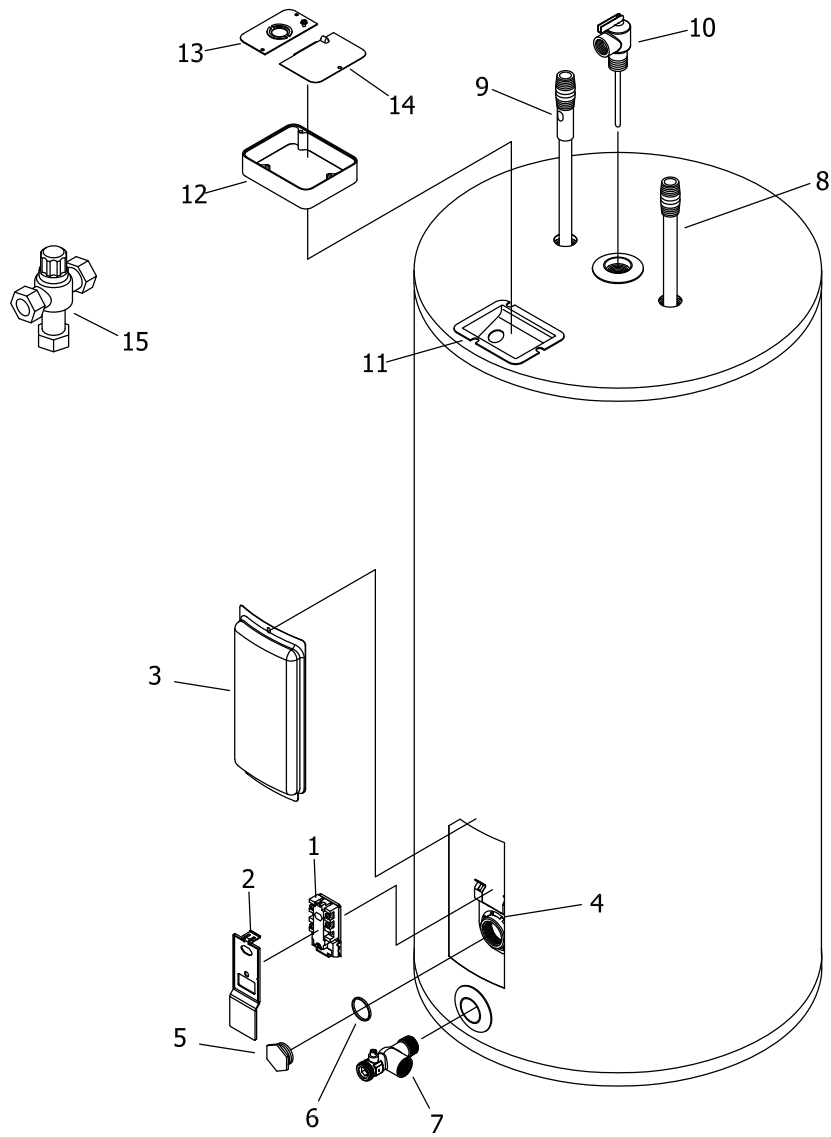
Effective: November, 2023
ECO 8697

**NOTE: BOTH MODEL AND SERIAL
NUMBERS ARE REQUIRED FOR
ORDERING REPLACEMENT PARTS**

Dimensions and specifications
subject to change without notice.



As required by the state of California Proposition 65.



Item Description	Model	Model	Model	Model
	AST-40-6	AST-50-6	AST-80-6	AST-120-6
1 Thermostat Kit w/ Cover & Bracket	415-50691-00	415-50691-00	415-50691-00	415-50691-00
2 Thermostat Cover	223-40399-00	223-40399-00	223-40399-00	223-40399-00
3 Thermostat Access Cover	243-36618-02	243-36618-02	243-36618-02	243-36618-02
4 Thermostat Mounting Bracket	239-50689-00	239-50689-00	239-50689-00	239-50689-00
5 Tank Plug	223-34020-00	223-34020-00	223-34020-00	223-34020-00
6 Tank Plug/Element Gasket	223-34019-00	223-34019-00	223-34019-00	223-34019-00
7 Drain/Return Plug	227-49556-02	227-49556-02	227-49556-02	227-49556-02
8 Cold Water Inlet Diptube, Hydrojet PEX	229-51230-08	229-51230-08	415-51230-09	415-43632-04
9 Hot Water Outlet/Anode Magnesium#	415-47776-05	415-47776-05	415-47776-05	415-47780-01
Hot Water Outlet/Anode Aluminum#	415-32999-26	415-32999-26	415-32999-26	---
Hot Water Outlet/Anode (A420)#	415-49560-03	415-49560-03	415-49560-03	---
10 T&P Valve*	---	---	---	---
11 Electrical Junction Box	239-39450-00	239-39450-00	239-39450-00	239-39450-00
12 Electrical Junction Box Extender	239-40587-00	239-40587-00	239-40587-00	239-40587-00
13 Cover/Conduit Connection w/ Ground Screw	239-55386-00	239-55386-00	239-55386-00	239-55386-00
14 Junction Box Cover	243-39452-00	243-39452-00	243-39452-00	243-39452-00
15 ASSE Approved Mixing Valve	239-51778-00	239-51778-00	239-51778-00	239-51778-00

* A combination temperature and pressure relief valve is required by code as a protective device.

It is not normally supplied by the tank manufacturer as original equipment. It is traditionally provided by the installer and is shown here for replacement parts purposes. The T&P valve for these storage tanks must be rated for the BTU input of the heater of the system where installed. P/N [230-32920-01](#)

T&P valve 3/4" NPT male thread rated to 100,000 BTU.

Anodes may need to be cut to length.

Reference Chart of Anode Length by Model

Model	AOD Anode Cut Length (End to end)	
	Inches	Millimeters
AST-40-6	38.13	969
AST-50-6	38.13	969
AST-80-6	50.13	1273
AST-120-6	50.81	1291



United States

Sales 1-800-523-2931
Technical Support 1-800-334-3393
Email techsupport@bradfordwhite.com
Warranty 1-800-531-2111
Email warranty@bradfordwhite.com
Service Parts 1-800-538-2020
Email parts@bradfordwhite.com

Canada

Sales 1-866-690-0961 1-905-203-0600
Fax 905-636-0666
Warranty 1-800-531-2111
Email warranty@bradfordwhite.com
Technical Support 1-800-334-3393
Email techsupport@bradfordwhite.com
Orders ca.orders@bradfordwhite.com
Service Parts bwccwarranty@bradfordwhite.com

For U.S. and Canada field service, contact your professional installer or local Bradford White sales representative.

International

General Contact international@bradfordwhite.com