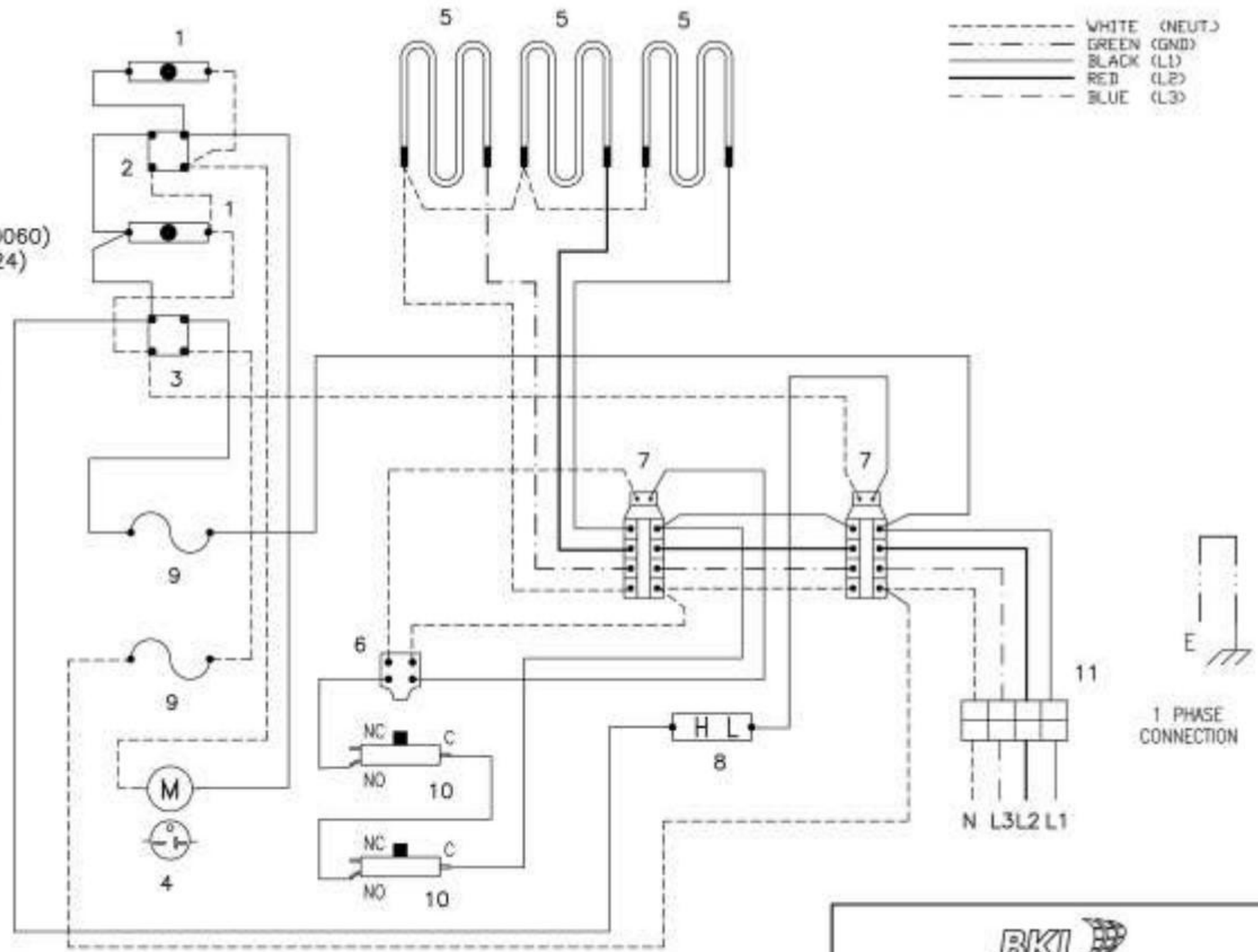


- 1.PILOT LIGHT (PL0003)
- 2.FILTER SWITCH (TS0002)
- 3.POWER SWITCH (TS0002)
- 4.FILTER MOTOR (M0047)
OR FILTER RECEPTACLE (FT0060)
- △ 5.CALROD 3188W 208V (C0024)
- 6.THERMOSTAT (T0022)
- 7.RELAY (R0003)
- 8.HI-LIMIT (T0009)
- 9.FUSE (F0097)
- 10.MICRO SWITCH (S0073)
- 11.TERMINAL BLOCK (TB0001)

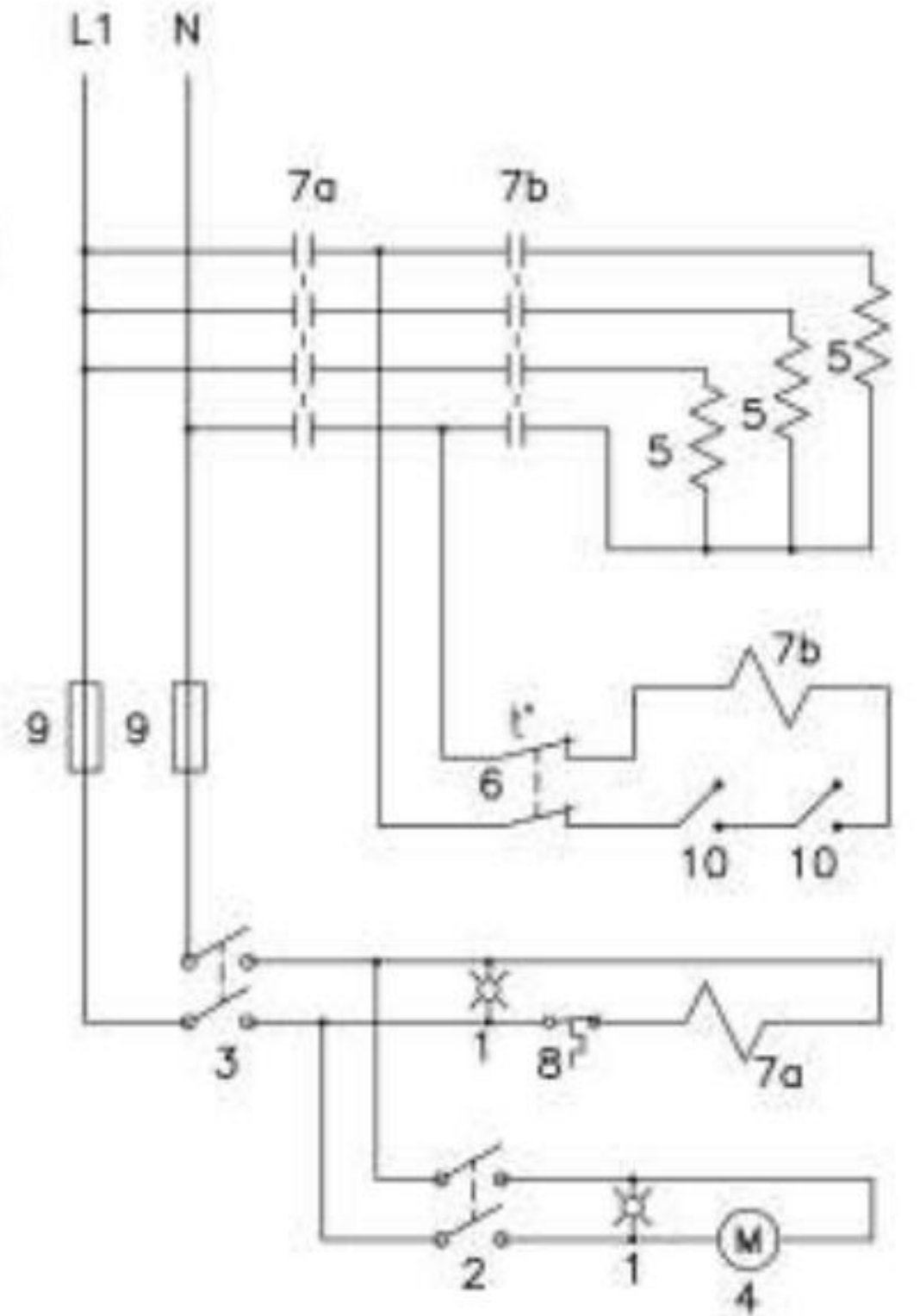
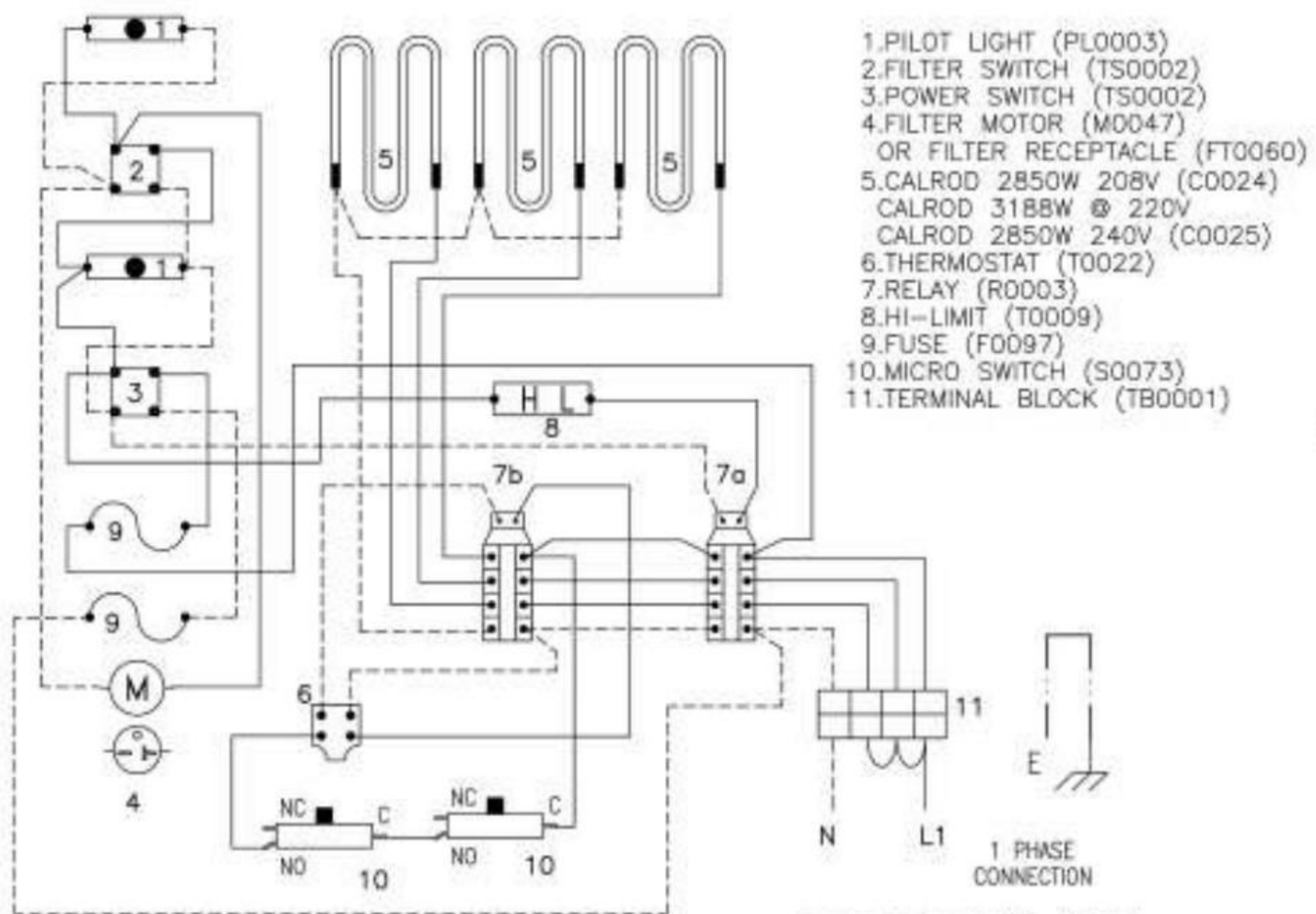
- - - - - WHITE (NEUT.)
 - · - · - GREEN (GND)
 = = = = = BLACK (L1)
 = = = = = RED (L2)
 - - - - - BLUE (L3)



1 PHASE CONNECTION



DRAWN BY	DATE	MODEL No.	VOLTAGE	PHASE	No. OF WIRES	△ AMPS.	△ KILOWATTS	BREAKER SIZE	REV. No.	TYPE/SIZE	DRAWING No.
MGW	10-11-96	DNF / DNF-F	220/380/50Hz	3	4	14.5	9.6	30	ECO 97-131 △	S, B	DNFE1015



- 1 PHASE CONNECTION
- WHITE (NEUT.)
 - - - - - GREEN (GND)
 - ===== BLACK (L1)
 - ===== RED (L2)
 - - - - - BLUE (L3)

