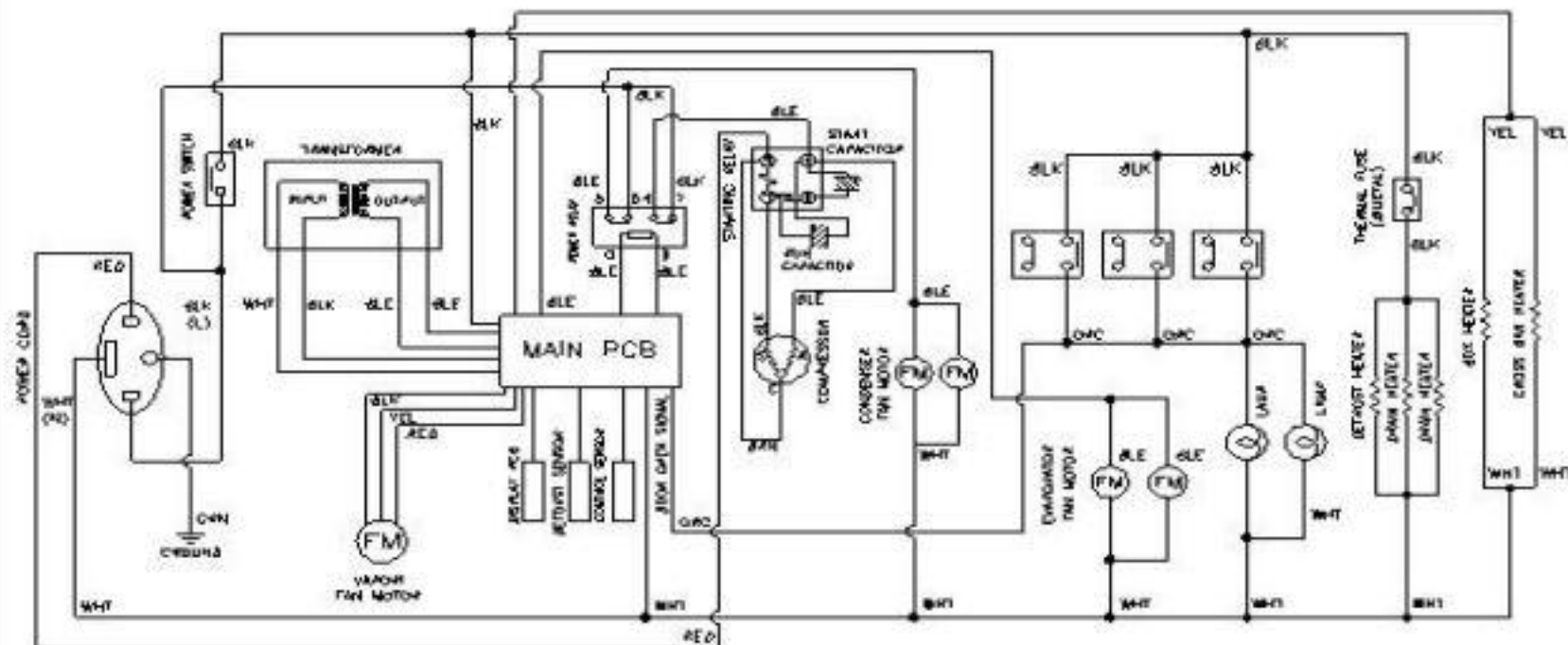
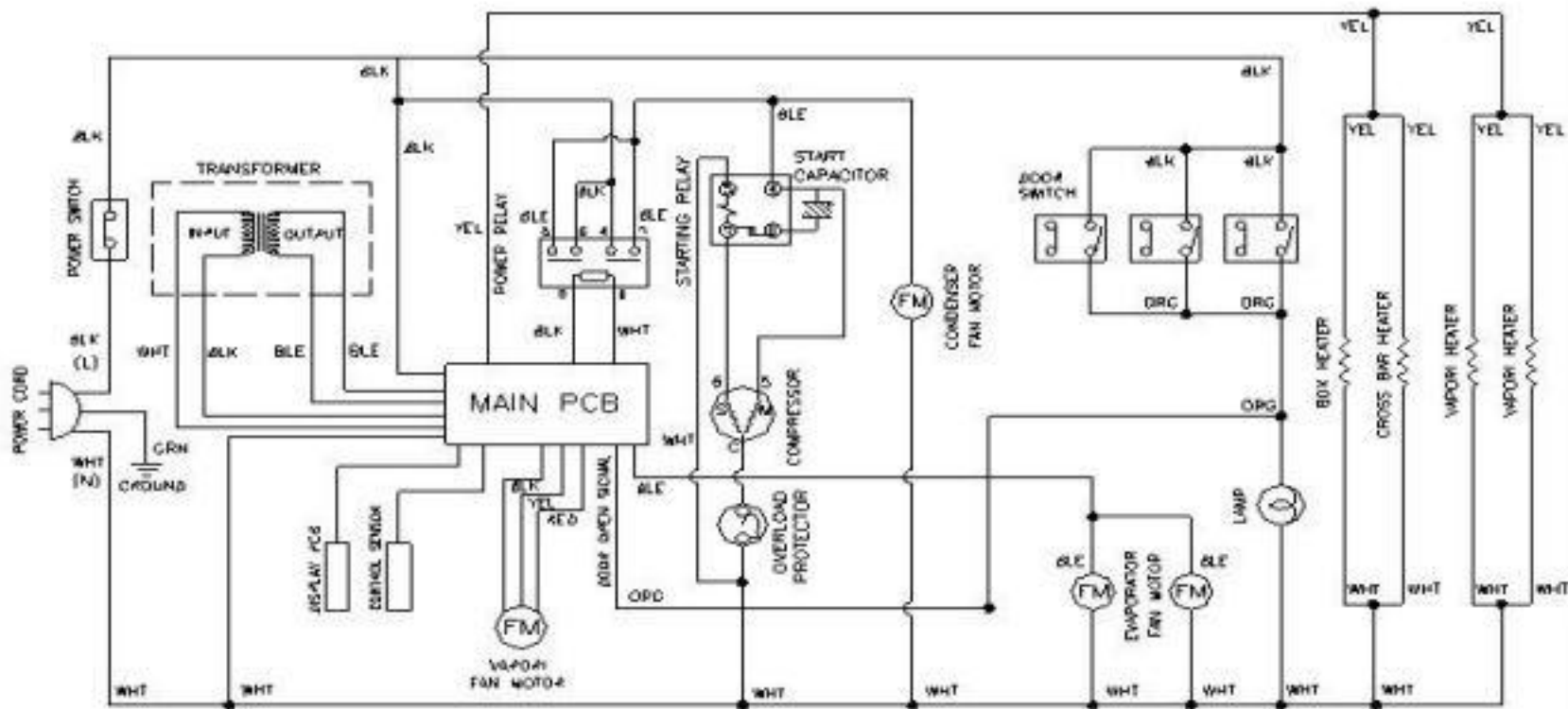


WIRING DIAGRAM LFT-72T



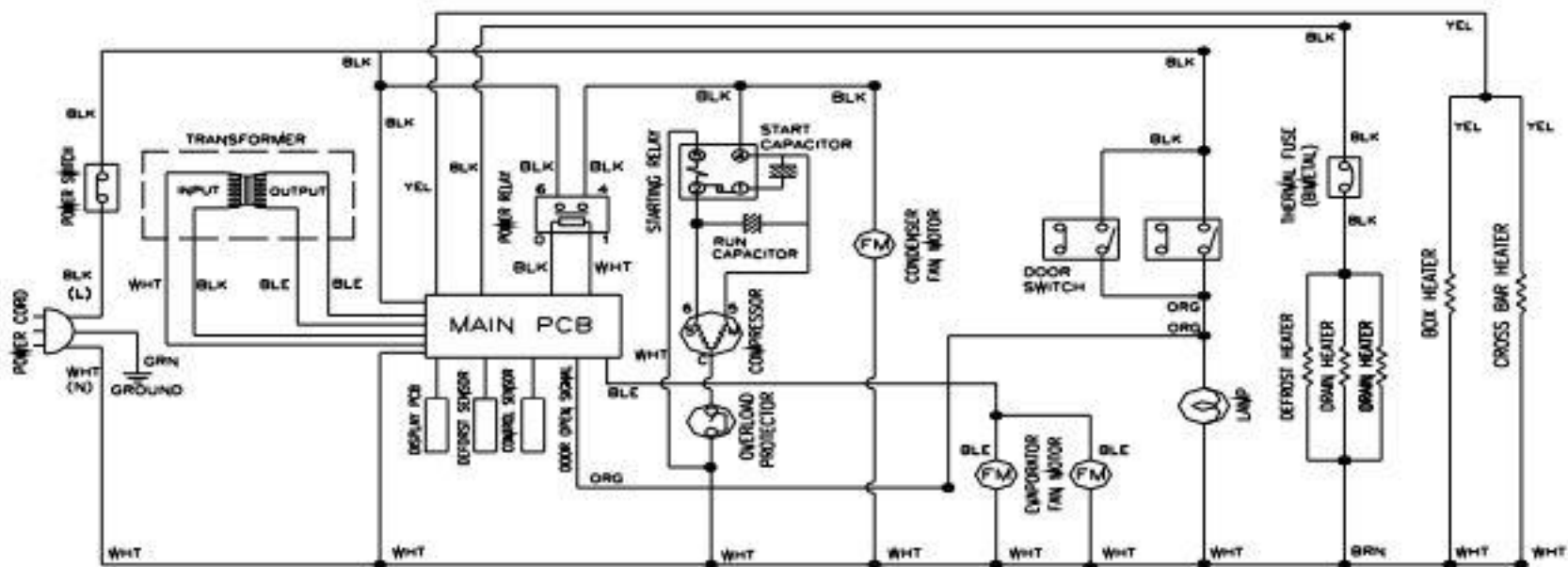
WHT - WHITE	BLE - BLUE	BRN - BROWN
BLK - BLACK	GRG - ORANGE	
RED - RED	GRN - GREEN	

WIRING DIAGRAM LRT-72T



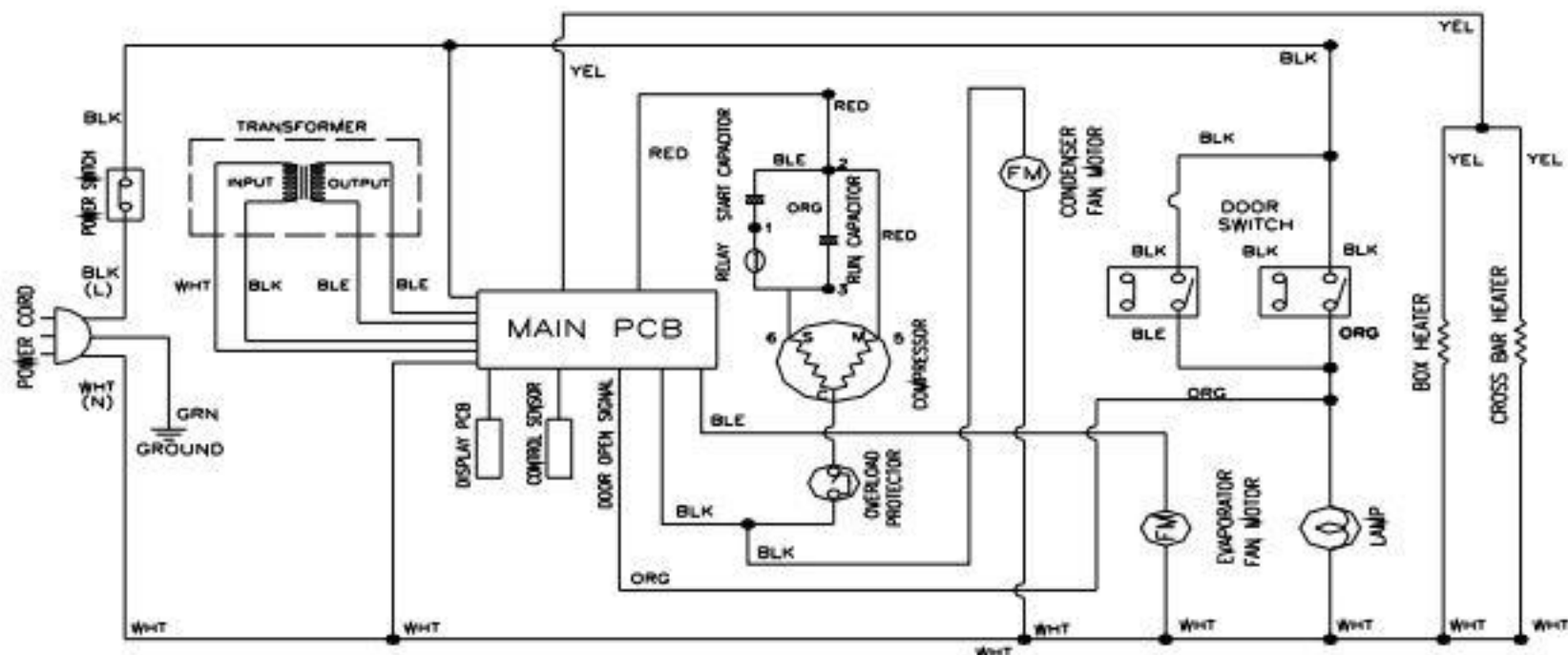
WHT - WHITE	BLE - BLUE	BRN - BROWN
BLK - BLACK	ORG - ORANGE	YEL - YELLOW
RED - RED	GRN - GREEN	

WIRING DIAGRAM LFT-49D



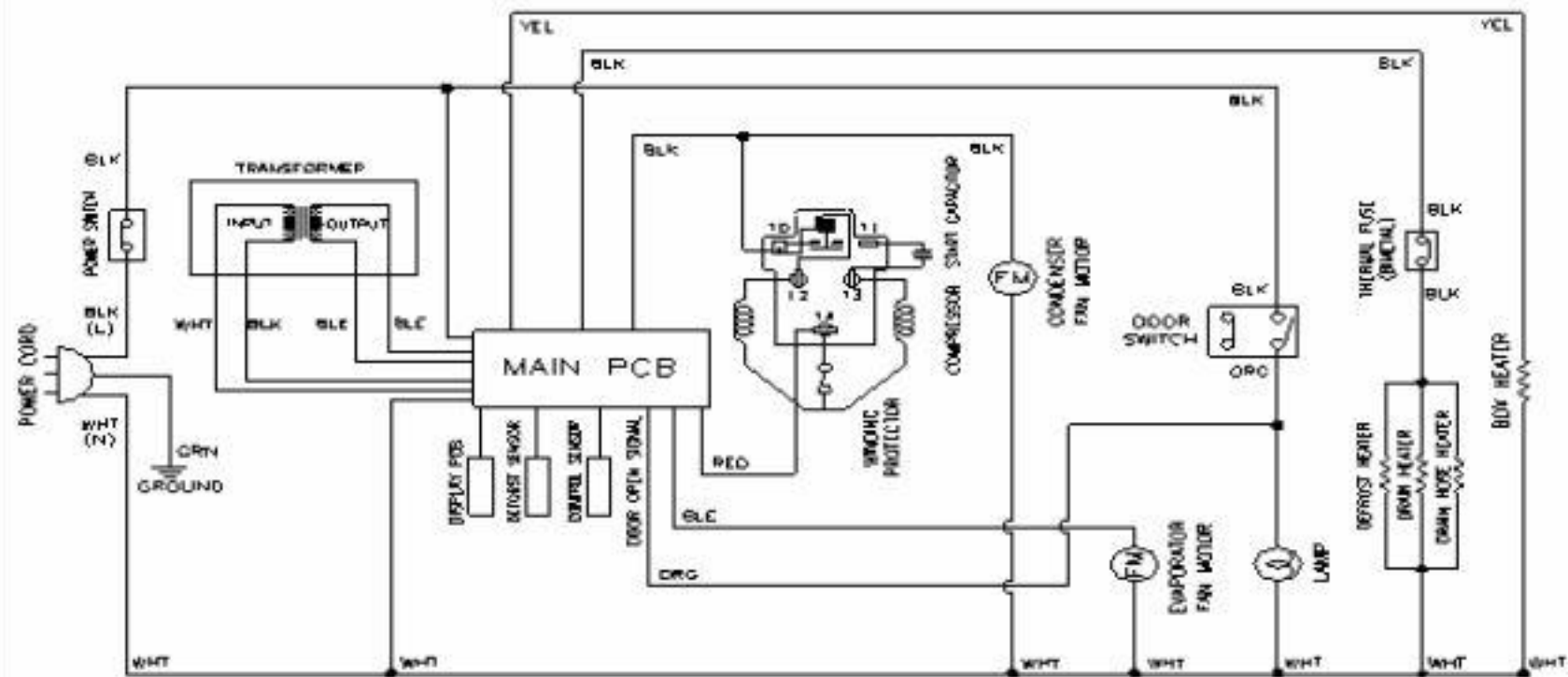
- | | | |
|-------------|--------------|--------------|
| WHT - WHITE | BLE - BLUE | BRN - BROWN |
| BLK - BLACK | ORG - ORANGE | YEL - YELLOW |
| RED - RED | GRN - GREEN | |

WIRING DIAGRAM LRT-49D



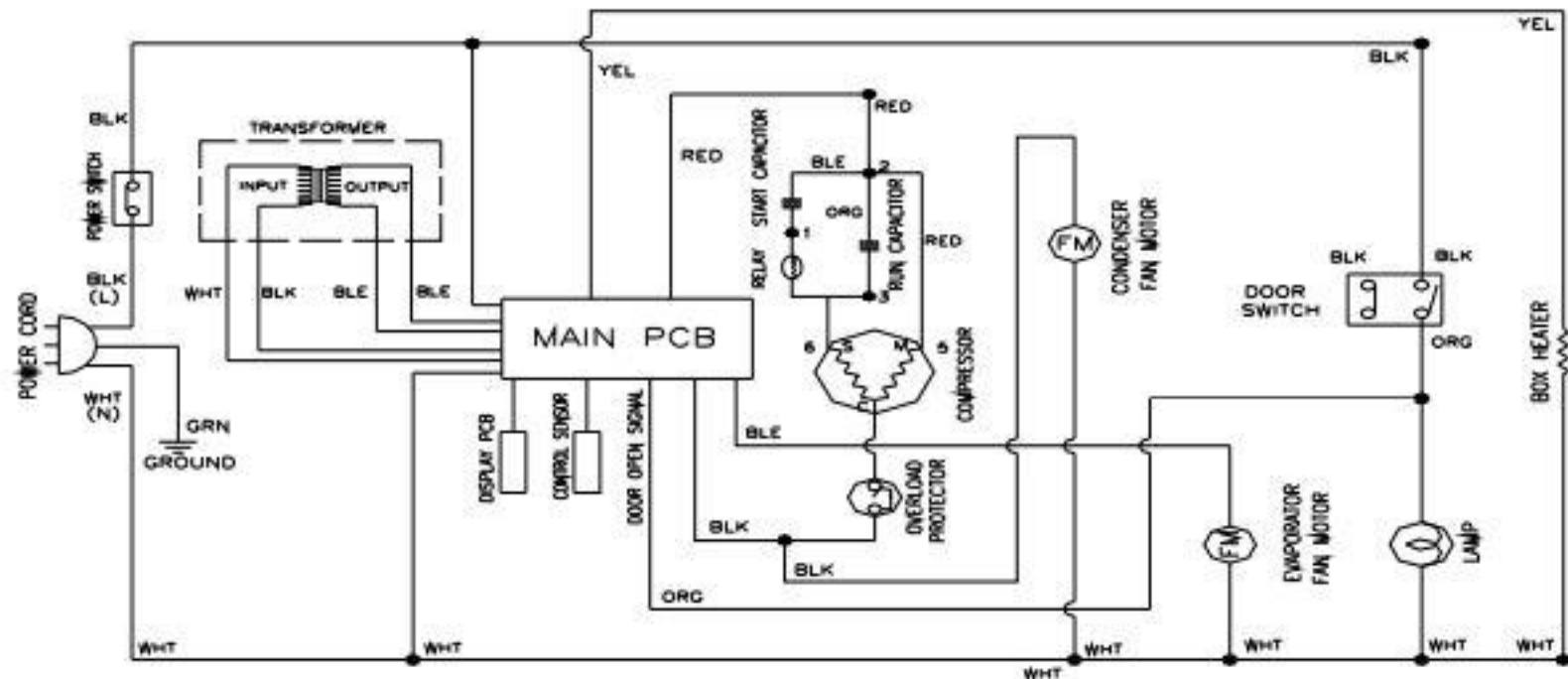
WHT - WHITE	BLE - BLUE	BRN - BROWN
BLK - BLACK	ORG - ORANGE	YEL - YELLOW
RED - RED	GRN - GREEN	

WIRING DIAGRAM LFT-23S



WHT - WHITE	BLE - BLUE	BRN - BROWN
BLK - BLACK	ORG - ORANGE	YEL - YELLOW
RED - RED	GRN - GREEN	

WIRING DIAGRAM LRT-23S



WHT - WHITE	BLE - BLUE	BRN - BROWN
BLK - BLACK	ORG - ORANGE	YEL - YELLOW
RED - RED	GRN - GREEN	