



**DUNKIN'  
DONUTS**

**1048DD SERIES  
GAS DECK OVEN  
REPLACEMENT PARTS LIST**

**JULY 11, 2011**

**BLODGETT OVEN COMPANY**, 44 Lakeside Avenue, Burlington, Vermont 05401 USA

Telephone: (802) 658-6600 Fax: (802) 860-3732

*www.blodgett.com*

*P/N 54118*

Superseding All Previous Parts Lists.

The Company reserves the right to make substitution in the event that items specified are not available.

ERRORS: Descriptive and/or typographic errors are subject to correction.

**www.blodgett.com**

# 1048DD

**IMPORTANT:** When ordering parts, please provide the model, gas type and serial number of the oven. The identification plate is located on the inside of the burner compartment door on the

- ASAP Distributor Required Stocking Parts
- ◆ Doors Are Not Returnable
- \* Item Is Too Large For UPS

## BURNER & PIPING ASSEMBLY

Ref. No.	Part No.	Description
	33900	Steel Tube Burners (Set of 2)
	16361	Air Shutter Only
	3001	Locknut for Air Shutter
	18419	Manifold Assy.
	8717	Orifice, Main Burner (Set of 2) (Specify Model & Gas Type)
	19964	Manifold Tube w/ Fittings
	R4435	Manual Gas Valve

## BURNER COMPARTMENT COMPONENTS

Ref. No.	Part No.	Description
	33135	Hot Surface Ignitor & Bracket
	33133	Flame Sensing Kit

## BAKING COMPARTMENT

Ref. No.	Part No.	Description
*	24664	Ultra Rokite Deck Assy. (1-1/2" x 24" x 36") (2 Piece)

## STEAM GENERATOR COMPONENTS

Ref. No.	Part No.	Description
	33136	Cord Set, NEMA-15-50P
	15183	Strain Relief
	33265	Site Glass, Generator
	<input checked="" type="checkbox"/> 33266	Pressure Control Generator
29	32893	Solenoid, Steam
20	33264	Steam Trap

## ELECTRICAL COMPONENTS

Ref. No.	Part No.	Description
19	21134	Axial Fan , 115V, 3" (Qty 3)
	32863	Probe, Upper
	32901	Probe, Deck
3	4888	Lug, Grounding
4	3574	Terminal Block 65A, 600V
5	31274	Transformer, 120V/240V
6	19619	Rocker Switch, DPST
7	32889	Control, Solid State Digital w/Steam
8	30851	Control, Hot Surface Ignitor
	34749	Phase II, Retrofit Kit

## DOOR COMPONENTS

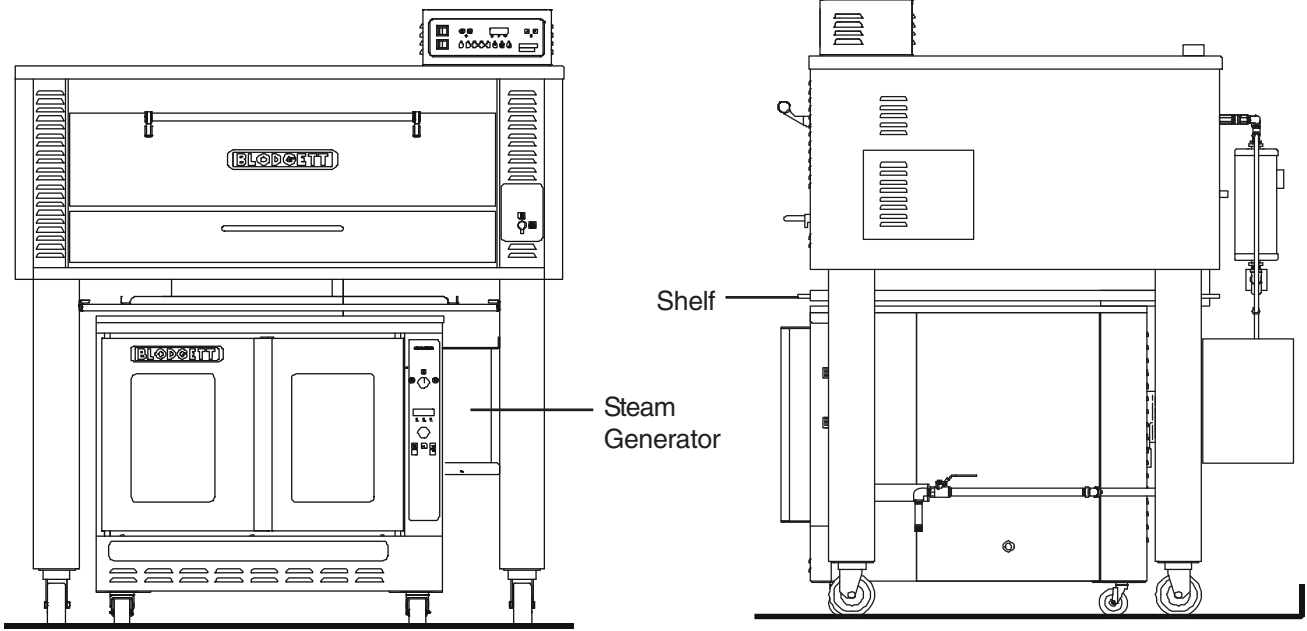
Ref. No.	Part No.	Description
	5878	Spirol Pin
	32796	Holder Assy, Spring
	19780	Spring 6-1/2"
	17623	Bearing, Cylindrical
	17624	Bearing, Flanged Door

## EXTERIOR COMPONENTS

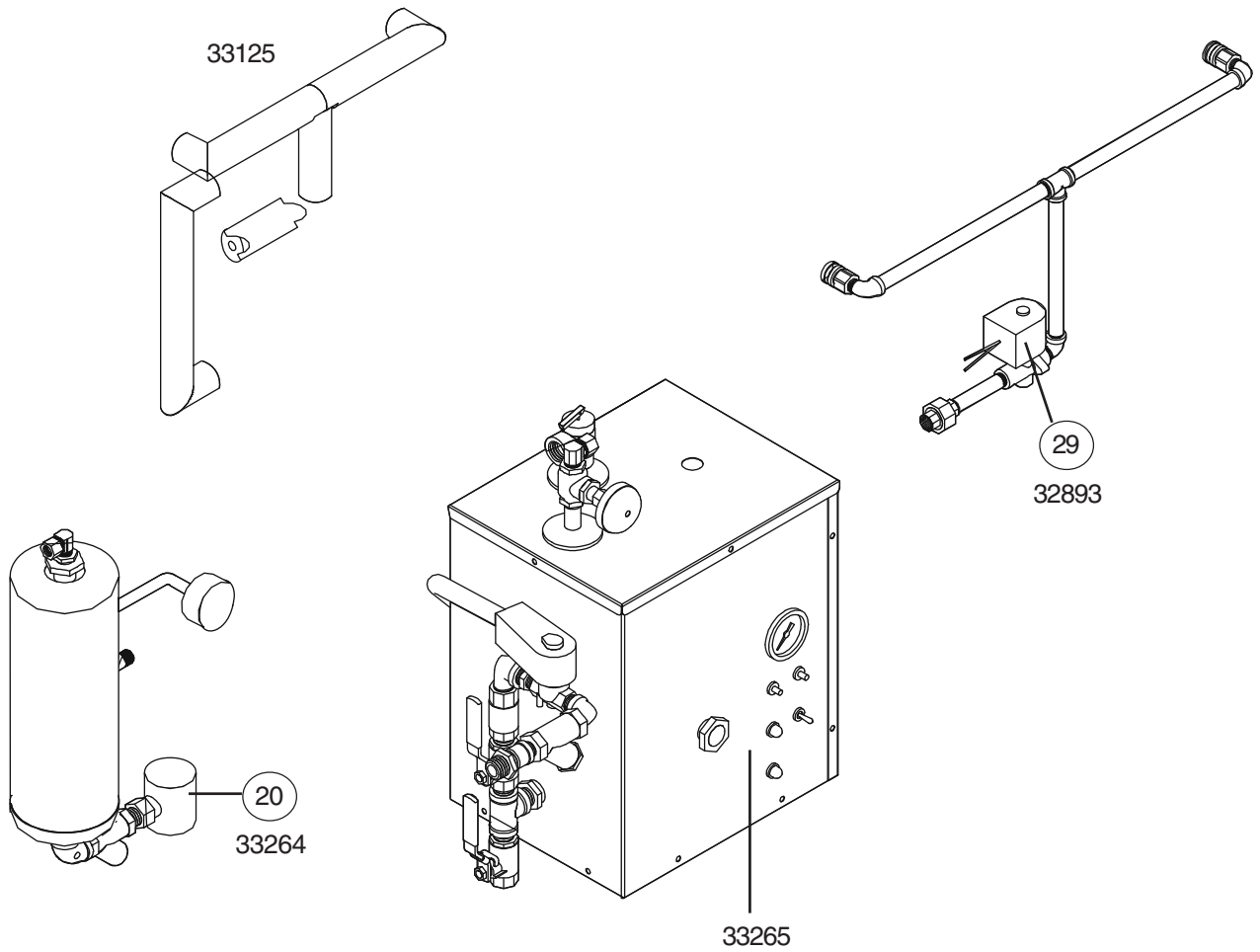
Ref. No.	Part No.	Description
	7840	Draft Diverter, Canopy Venting, S/S
	7839	Draft Hood, Direct Venting, S/S (6" Diameter)
	21242	Gas Connector Kit, 48"
	11255	Nameplate, Blodgett 12-3/4"
	33125	Insulation Kit, Steam Pipe

**The Following Parts Are For Stacking on DFG100 ONLY**

19528	Casters, Low Profile (Set of 4)
33022	Flue Connector, DFG100



### STEAM GENERATOR AND PIPING



# CONTROL BOX ASSEMBLY

