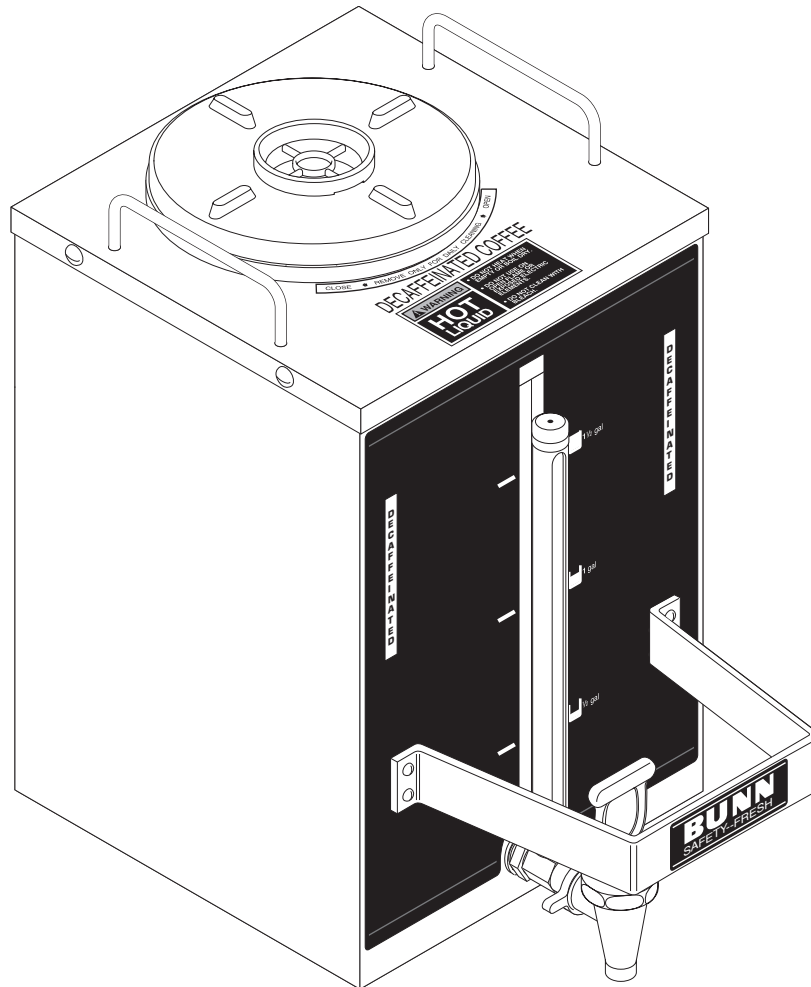


BUNN®

1.75 GPR-FF



ILLUSTRATED PARTS CATALOG

Designs, materials, weights, specifications, and dimensions for equipment or replacement parts are subject to change without notice.

BUNN-O-MATIC CORPORATION

POST OFFICE BOX 3227

SPRINGFIELD, ILLINOIS 62708-3227

PHONE: (217) 529-6601 FAX: (217) 529-6644

BUNN-O-MATIC COMMERCIAL PRODUCT WARRANTY

Bunn-O-Matic Corp. ("BUNN") warrants equipment manufactured by it as follows:

- 1) All equipment other than as specified below: 2 years parts and 1 year labor.
- 2) Electronic circuit and/or control boards: parts and labor for 3 years.
- 3) Compressors on refrigeration equipment: 5 years parts and 1 year labor.
- 4) Grinding burrs on coffee grinding equipment to grind coffee to meet original factory screen sieve analysis: parts and labor for 3 years or 30,000 pounds of coffee, whichever comes first.

These warranty periods run from the date of installation BUNN warrants that the equipment manufactured by it will be commercially free of defects in material and workmanship existing at the time of manufacture and appearing within the applicable warranty period. This warranty does not apply to any equipment, component or part that was not manufactured by BUNN or that, in BUNN's judgment, has been affected by misuse, neglect, alteration, improper installation or operation, improper maintenance or repair, damage or casualty. This warranty is conditioned on the Buyer 1) giving BUNN prompt notice of any claim to be made under this warranty by telephone at (217) 529-6601 or by writing to Post Office Box 3227, Springfield, Illinois 62708-3227; 2) if requested by BUNN, shipping the defective equipment prepaid to an authorized BUNN service location; and 3) receiving prior authorization from BUNN that the defective equipment is under warranty.

THE FOREGOING WARRANTY IS EXCLUSIVE AND IS IN LIEU OF ANY OTHER WARRANTY, WRITTEN OR ORAL, EXPRESS OR IMPLIED, INCLUDING, BUT NOT LIMITED TO, ANY IMPLIED WARRANTY OF EITHER MERCHANTABILITY OR FITNESS FOR A PARTICULAR PURPOSE. The agents, dealers or employees of BUNN are not authorized to make modifications to this warranty or to make additional warranties that are binding on BUNN. Accordingly, statements by such individuals, whether oral or written, do not constitute warranties and should not be relied upon.

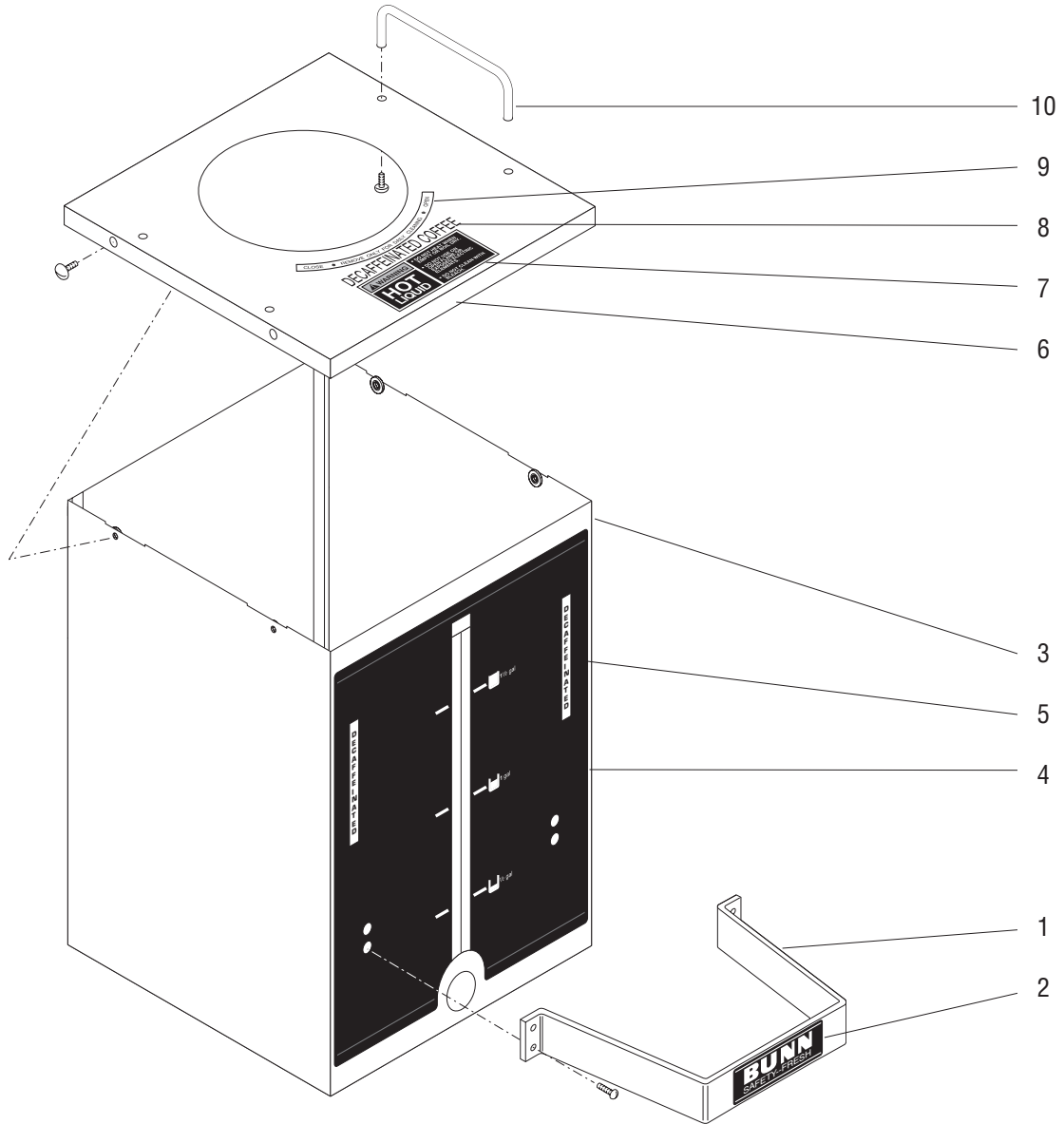
If BUNN determines in its sole discretion that the equipment does not conform to the warranty, BUNN, at its exclusive option while the equipment is under warranty, shall either 1) provide at no charge replacement parts and/or labor (during the applicable parts and labor warranty periods specified above) to repair the defective components, provided that this repair is done by a BUNN Authorized Service Representative; or 2) shall replace the equipment or refund the purchase price for the equipment.

THE BUYER'S REMEDY AGAINST BUNN FOR THE BREACH OF ANY OBLIGATION ARISING OUT OF THE SALE OF THIS EQUIPMENT, WHETHER DERIVED FROM WARRANTY OR OTHERWISE, SHALL BE LIMITED, AT BUNN'S SOLE OPTION AS SPECIFIED HEREIN, TO REPAIR, REPLACEMENT OR REFUND.

In no event shall BUNN be liable for any other damage or loss, including, but not limited to, lost profits, lost sales, loss of use of equipment, claims of Buyer's customers, cost of capital, cost of down time, cost of substitute equipment, facilities or services, or any other special, incidental or consequential damages.

TABLE OF CONTENTS

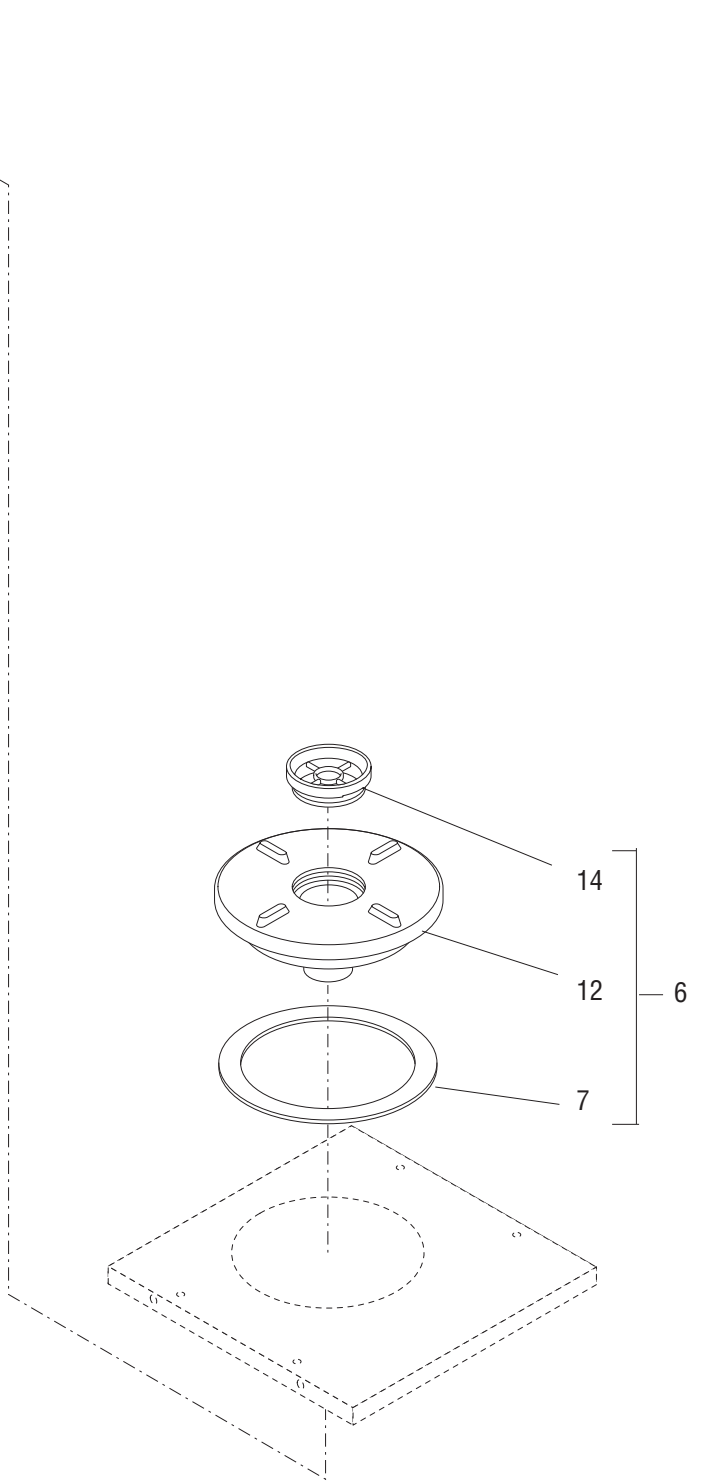
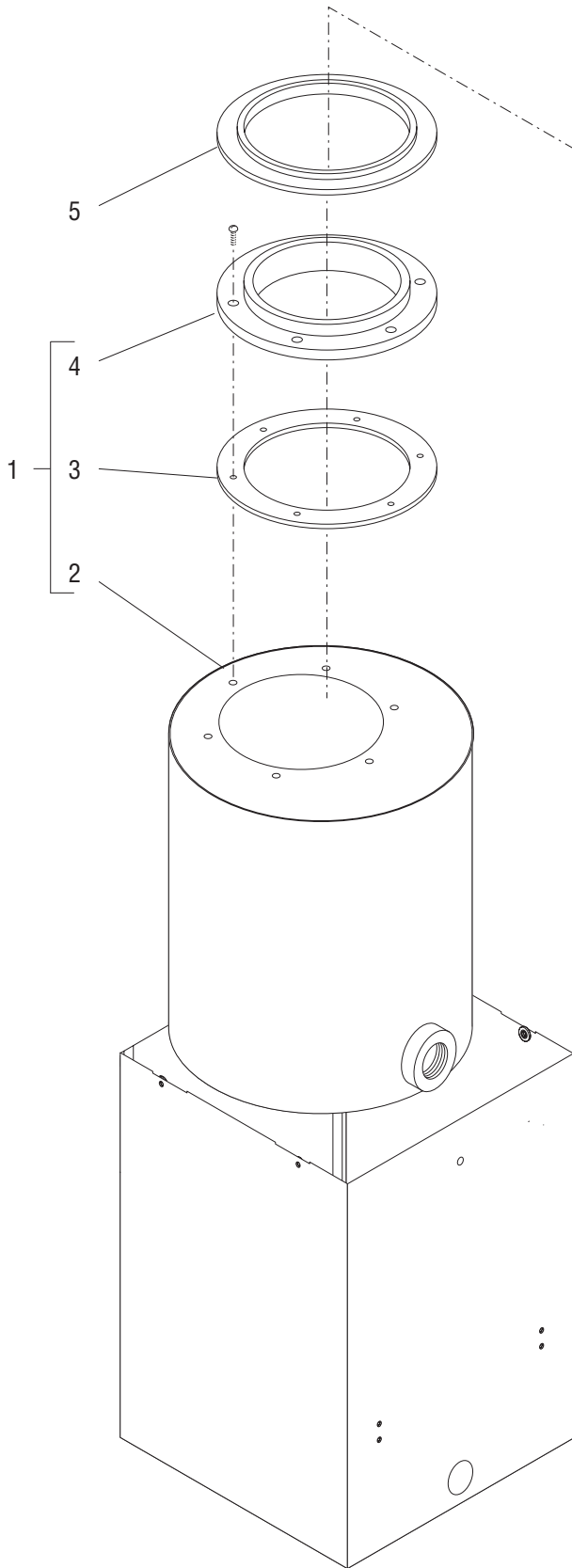
Faucets, Sight Gage & Decals	8
Housings, Handles, Guards & Decals.....	4
Reservoir & Lid Assembly	6
Numerical Index.....	10



HOUSINGS, HANDLES, GUARDS & DECALS

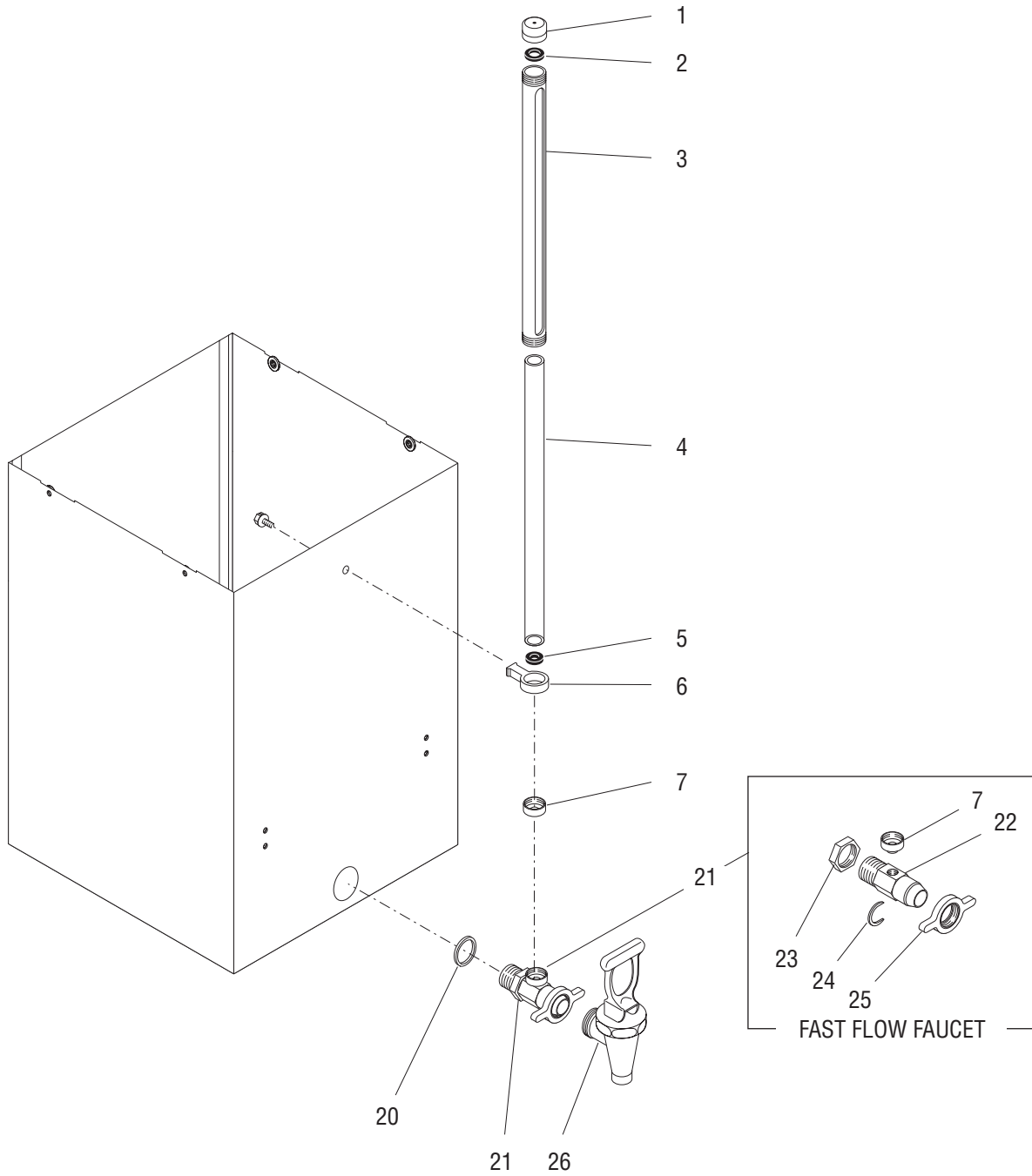
ITEM	PART NO.	QTY.	DESCRIPTION
1	21939.0000	1	Guard W/Decals, Faucet (Includes 2 of Item 2)
	02329.0002	4	Screw, Round Head 8 - 32 x .31" (BLK)
2	20968.0000	1	Decal, Safety - Fresh (Two used with Fast Flow Faucet)
3	37643.0000	1	Housing W/Decals (Includes Items 4 & 5)
4	37263.0000	1	Decal, Decorative-Level Indicator
5	24261.0000	2	Decal, Decaffeinated Coffee (Vertical) (Install as required)
6	37642.0000	1	Cover w/Decals (Includes Items 7, 8 & 9)
	01315.0000	4	Screw, Truss Head 8 - 32 x .38" (SST)
7	12356.0000	1	Decal, Caution-Hot Liquid
8	00879.0000	1	Decal, Decaffeinated Coffee (Install as required)
9	12373.0000	1	Decal, Lid Removal
10	23954.0000	2	Handle, 4.0" (Top)
	02329.0000	4	Screw, Round Head 8 - 32 x .31"
12	05940.0000	2	Decal, Orange Dot (Install as required)
13	23956.1001	1	Decaffeinated Accessory Pkg (Includes items 5, 8 & 12 - also see page 9)

} Not Illustrated



RESERVOIR & LID ASSEMBLY

ITEM	PART NO.	QTY.	DESCRIPTION
1	37641.0000	1	Reservoir/Collar Assy (Includes Items 2, 3 & 4)
2	37111.0000	1	Reservoir
3	12330.0000	1	Gasket, Reservoir Collar
4	12329.0000	1	Collar, Reservoir
	01380.0000	6	Screw, Truss Head 6 - 32 x .50"
5	12331.0000	1	Gasket, Top Cover
6	12328.0000	1	Lid Assy, Reservoir (Includes items 7, 12 & 14)
7	12332.0000	1	Gasket, Lid
12	29690.0000	1	Lid, Reservoir
14	12289.0001	1	Retainer Cap, Top Vent



FAUCETS, SIGHT GAGE & DECALS

ITEM	PART NO.	QTY.	DESCRIPTION
1	01293.0000	1	Sight Gage Cap
2	01291.0000	1	Sight Gage Washer, Cap (Also see item 34)
3	26687.0000	1	Sight Gage Shield, 9.0"
4	26686.1000	1	Sight Gage Glass, 9.0"
5	01292.0000	1	Sight Gage Washer, Base (Also see item 34)
6	01287.0000	1	Sight Gage Brace
	02330.0001	1	Screw, Washer Head 10 - 24 x .38"
7	01222.0000	1	Sight Gage Base (Chrome)
20	20756.0000	1	Gasket, Faucet Shank
21	21073.1001	1	Faucet Shank W/Sight Gage Base (Includes Items 7 & 22 Through 25)
22	-----	1	Faucet Shank Body (Not available order item 21)
23	20761.0000	1	Faucet Shank Nut (Chrome)
24	01221.0000	1	C-Ring, Faucet Shank
25	03093.0001	1	Wing Nut, Faucet - Black
26	26685.0000	1	Faucet Assy, Fast Flow Blk Handle (Includes items 27 thru 31 & 33)
27	-----	1	Faucet Body (Not available order item 26)
28	00600.0000	1	Faucet Seat Cup
29	29164.0000	1	Faucet Stem
30	00601.0000	1	Faucet Spring
31	29165.0001	1	Faucet Bonnet
33	26684.0000	1	Faucet Handle, Black
34	01270.0000	1	Gasket Set, Sight Gage (Includes 4 of item 2 & 2 of item 5)
35	23956.1001	1	Decaffeinated Accessory Pkg (Fast Flow Faucet) (Includes items 29 & 33 (Orn) - also see page 3)
37	00674.0000	1	Brush, Faucet Shank Cleaning
38	00675.0000	1	Brush, Sight Gage Cleaning
39	28707.0002	1	Faucet Repair Kit (Includes items 28, 29, 30 & 33)

NUMERICAL INDEX

PART NO.	PAGE NO.	PART NO.	PAGE NO.	PART NO.	PAGE NO.	PART NO.	PAGE NO.
00600.0000.....	9						
00601.0000.....	9						
00674.0000.....	9						
00675.0000.....	9						
00879.0000.....	5						
01221.0000.....	9						
01222.0000.....	9						
01270.0000.....	9						
01287.0000.....	9						
01291.0000.....	9						
01292.0000.....	9						
01293.0000.....	9						
01315.0000.....	5						
01380.0000.....	7						
02329.0000.....	5						
02329.0002.....	5						
02330.0001.....	9						
03093.0001.....	9						
05940.0000.....	5						
12289.0001.....	7						
12328.0000.....	7						
12329.0000.....	7						
12330.0000.....	7						
12331.0000.....	7						
12332.0000.....	7						
12356.0000.....	5						
12373.0000.....	5						
20756.0000.....	9						
20761.0000.....	9						
20968.0000.....	5						
21073.1001.....	9						
21939.0000.....	5						
23954.0000.....	5						
23956.1001.....	5, 9						
24261.0000.....	5						
26684.0000.....	9						
26685.0000.....	9						
26686.1000.....	9						
26687.0000.....	9						
28707.0002.....	9						
29164.0000.....	9						
29165.0001.....	9						
29690.0000.....	7						
37111.0000.....	7						
37263.0000.....	5						
37641.0000.....	7						
37642.0000.....	5						
37643.0000.....	5						