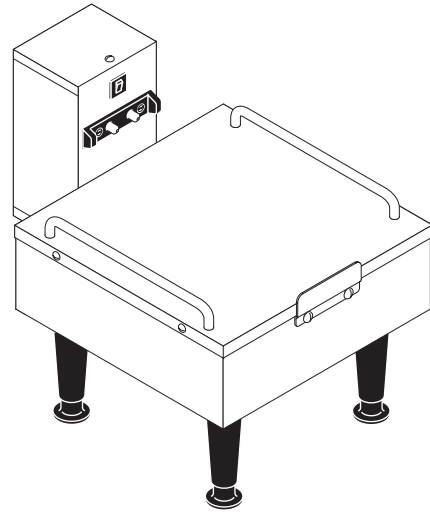
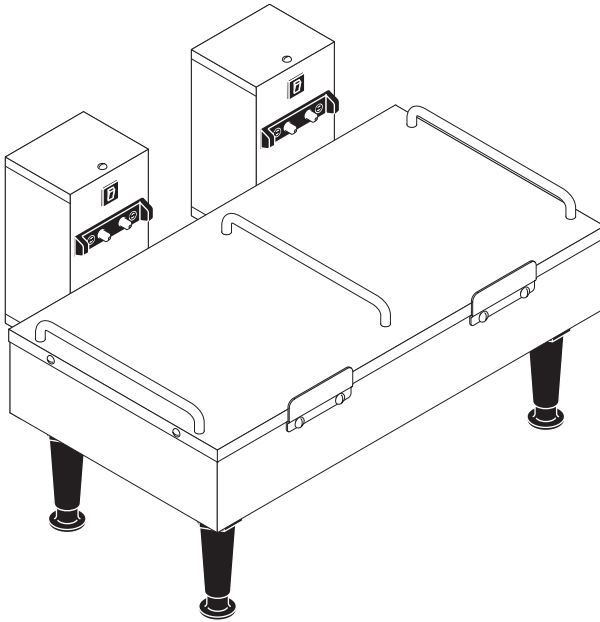

BUNN®

1SH & 2SH STAND



ILLUSTRATED PARTS CATALOG

Designs, materials, weights, specifications, and dimensions for equipment or replacement parts are subject to change without notice.

BUNN-O-MATIC CORPORATION

POST OFFICE BOX 3227

SPRINGFIELD, ILLINOIS 62708-3227

PHONE: (217) 529-6601 FAX: (217) 529-6644



BUNN-O-MATIC COMMERCIAL PRODUCT WARRANTY

Bunn-O-Matic Corp. ("BUNN") warrants equipment manufactured by it as follows:

- 1) Airpots, thermal carafes, decanters, GPR servers, iced tea/coffee dispensers, MCR/MCP/MCA single cup brewers, thermal servers and ThermoFresh® servers (mechanical and digital) 1 year parts and 1 year labor.
- 2) All other equipment - 2 years parts and 1 year labor plus added warranties as specified below:
 - a) Electronic circuit and/or control boards - parts and labor for 3 years.
 - b) Compressors on refrigeration equipment - 5 years parts and 1 year labor.
 - c) Grinding burrs on coffee grinding equipment to grind coffee to meet original factory screen sieve analysis - parts and labor for 4 years or 40,000 pounds of coffee, whichever comes first.

These warranty periods run from the date of installation BUNN warrants that the equipment manufactured by it will be commercially free of defects in material and workmanship existing at the time of manufacture and appearing within the applicable warranty period. This warranty does not apply to any equipment, component or part that was not manufactured by BUNN or that, in BUNN's judgment, has been affected by misuse, neglect, alteration, improper installation or operation, improper maintenance or repair, non periodic cleaning and descaling, equipment failures related to poor water quality, damage or casualty. In addition, the warranty does not apply to replacement of items subject to normal use including but not limited to user replaceable parts such as seals and gaskets. This warranty is conditioned on the Buyer 1) giving BUNN prompt notice of any claim to be made under this warranty by telephone at (217) 529-6601 or by writing to Post Office Box 3227, Springfield, Illinois 62708-3227; 2) if requested by BUNN, shipping the defective equipment prepaid to an authorized BUNN service location; and 3) receiving prior authorization from BUNN that the defective equipment is under warranty.

THE FOREGOING WARRANTY IS EXCLUSIVE AND IS IN LIEU OF ANY OTHER WARRANTY, WRITTEN OR ORAL, EXPRESS OR IMPLIED, INCLUDING, BUT NOT LIMITED TO, ANY IMPLIED WARRANTY OF EITHER MERCHANTABILITY OR FITNESS FOR A PARTICULAR PURPOSE. The agents, dealers or employees of BUNN are not authorized to make modifications to this warranty or to make additional warranties that are binding on BUNN. Accordingly, statements by such individuals, whether oral or written, do not constitute warranties and should not be relied upon.

If BUNN determines in its sole discretion that the equipment does not conform to the warranty, BUNN, at its exclusive option while the equipment is under warranty, shall either 1) provide at no charge replacement parts and/or labor (during the applicable parts and labor warranty periods specified above) to repair the defective components, provided that this repair is done by a BUNN Authorized Service Representative; or 2) shall replace the equipment or refund the purchase price for the equipment.

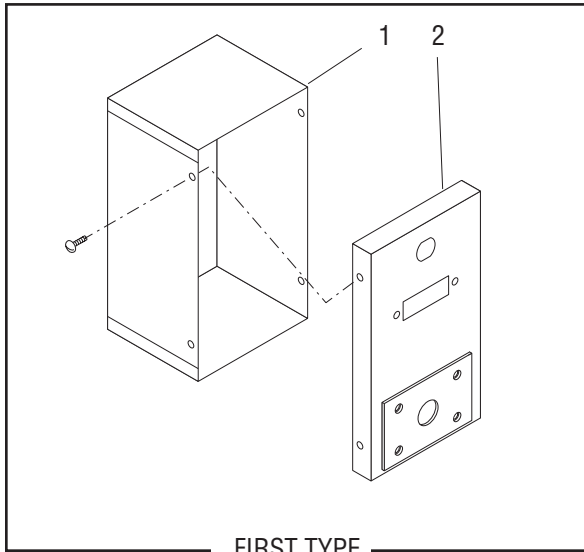
THE BUYER'S REMEDY AGAINST BUNN FOR THE BREACH OF ANY OBLIGATION ARISING OUT OF THE SALE OF THIS EQUIPMENT, WHETHER DERIVED FROM WARRANTY OR OTHERWISE, SHALL BE LIMITED, AT BUNN'S SOLE OPTION AS SPECIFIED HEREIN, TO REPAIR, REPLACEMENT OR REFUND.

In no event shall BUNN be liable for any other damage or loss, including, but not limited to, lost profits, lost sales, loss of use of equipment, claims of Buyer's customers, cost of capital, cost of down time, cost of substitute equipment, facilities or services, or any other special, incidental or consequential damages.

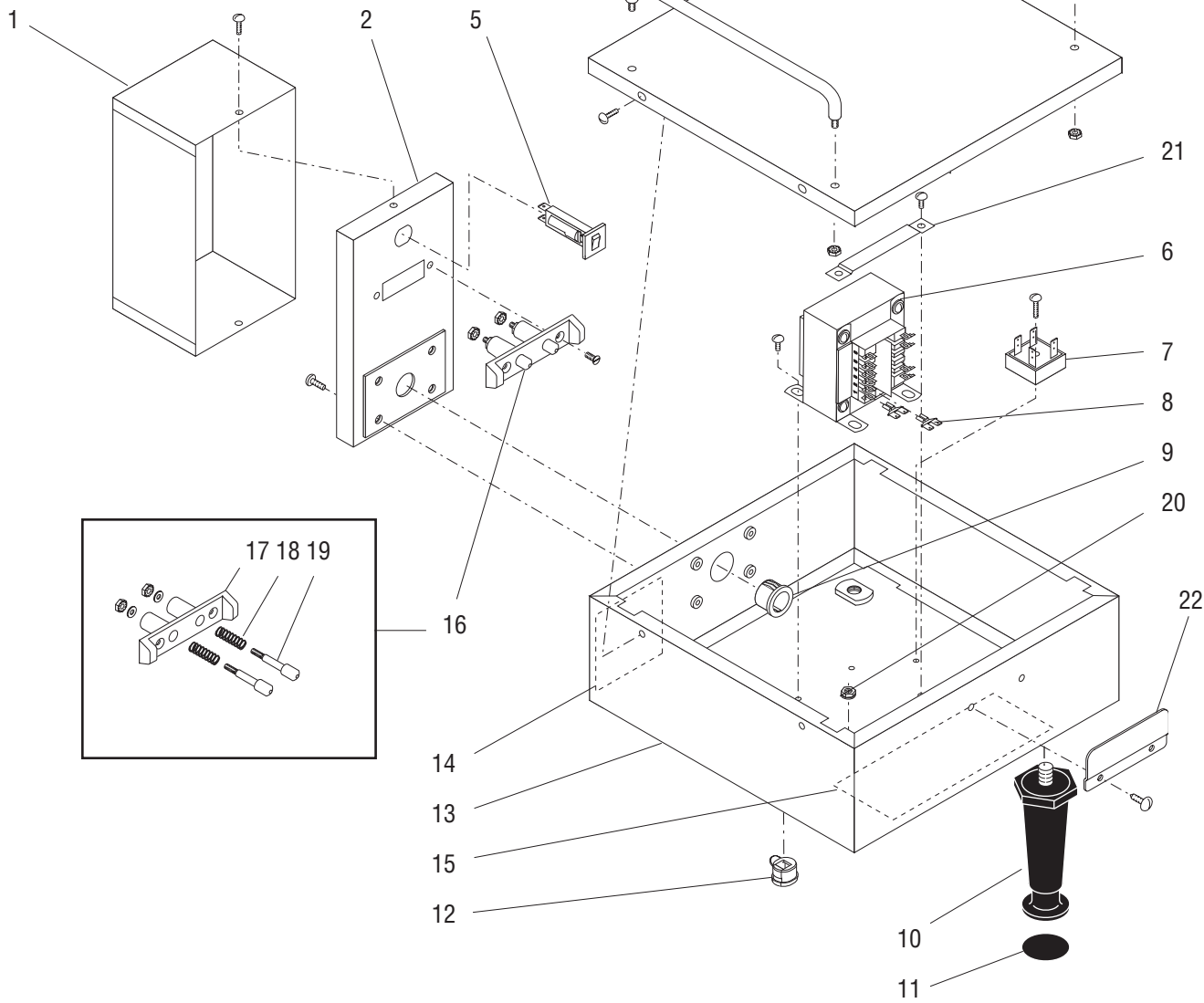
392, A Partner You Can Count On, Air Infusion, AutoPOD, AXIOM, BrewLOGIC, BrewMETER, Brew Better Not Bitter, BrewWISE, BrewWIZARD, BUNN Espresso, BUNN Family Gourmet, BUNN Gourmet, BUNN Pour-O-Matic, BUNN, BUNN with the stylized red line, BUNNlink, Bunn-O-Matic, Bunn-O-Matic, BUNNserve, BUNNSERVE with the stylized wrench design, Cool Froth, DBC, Dr. Brew stylized Dr. design, Dual, Easy Pour, EasyClear, EasyGard, FlavorGard, Gourmet Ice, Gourmet Juice, High Intensity, iMIX, Infusion Series, Intellisteam, My Café, Phase Brew, PowerLogic, Quality Beverage Equipment Worldwide, Respect Earth, Respect Earth with the stylized leaf and coffee cherry design, Safety-Fresh, savemycoffee.com, Scale-Pro, Silver Series, Single, Smart Funnel, Smart Hopper, SmartWAVE, Soft Heat, SplashGard, The Mark of Quality in Beverage Equipment Worldwide, ThermoFresh, Titan, trifacta, TRIFECTA (stylized logo), Velocity Brew, Air Brew, Beverage Bar Creator, Beverage Profit Calculator, Brew better, not bitter., Build-A-Drink, BUNNSource, Coffee At Its Best, Cyclonic Heating System, Daypart, Digital Brewer Control, Element, Milk Texturing Fusion, Nothing Brews Like a BUNN, Picture Prompted Cleaning, Pouring Profits, Signature Series, Sure Tamp, Tea At Its Best, The Horizontal Red Line, Ultra are either trademarks or registered trademarks of Bunn-O-Matic Corporation. The commercial trifacta® brewer housing configuration is a trademark of Bunn-O-Matic Corporation.

TABLE OF CONTENTS

1 SH Server Stand 4
2 SH Server Stand 8
Numerical Index..... 12



FIRST TYPE

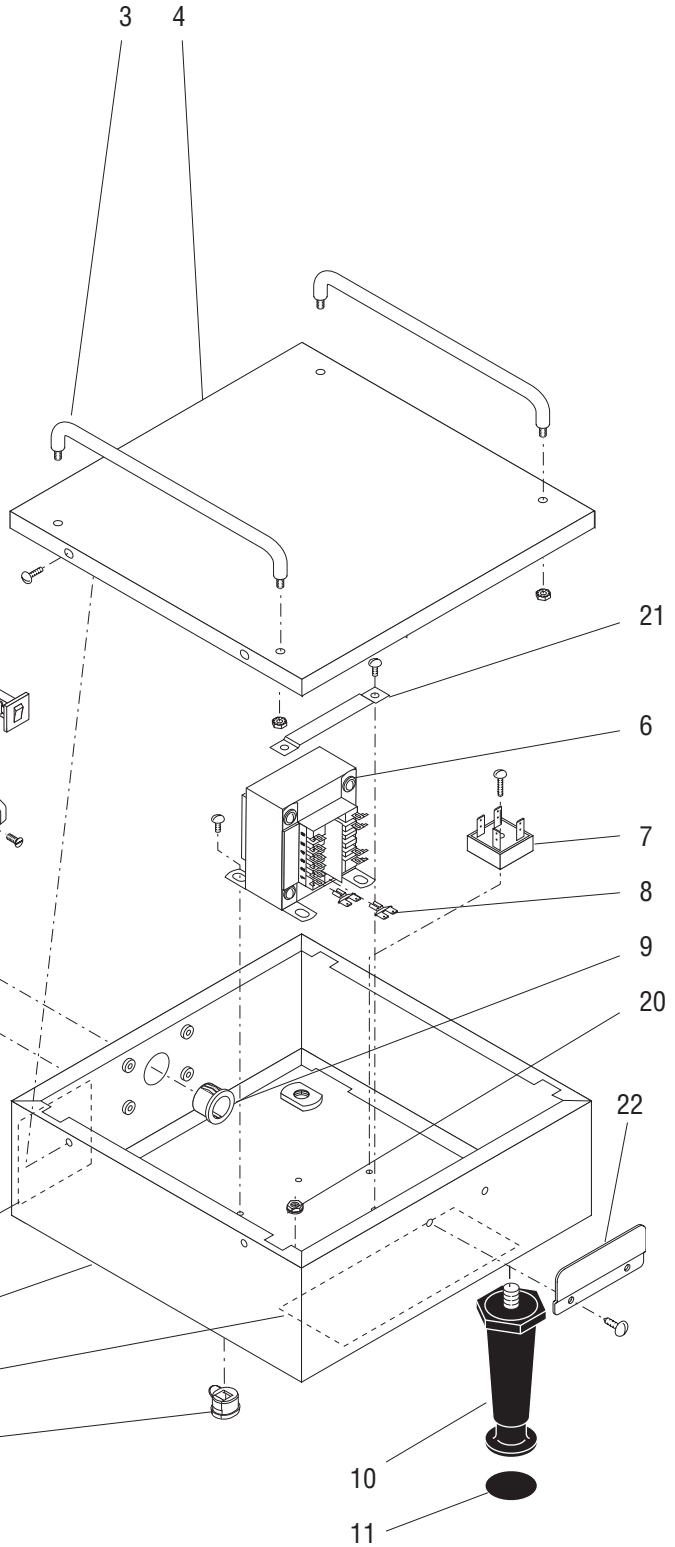
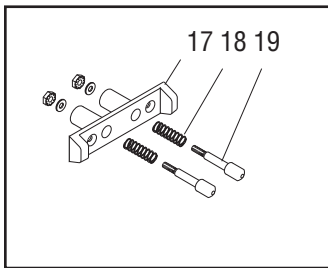
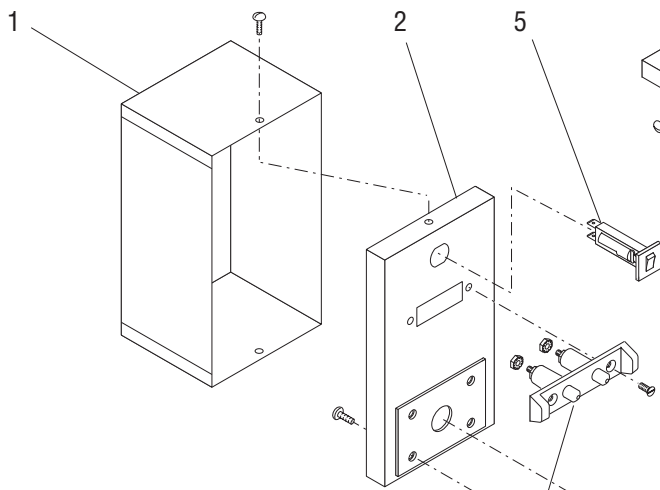
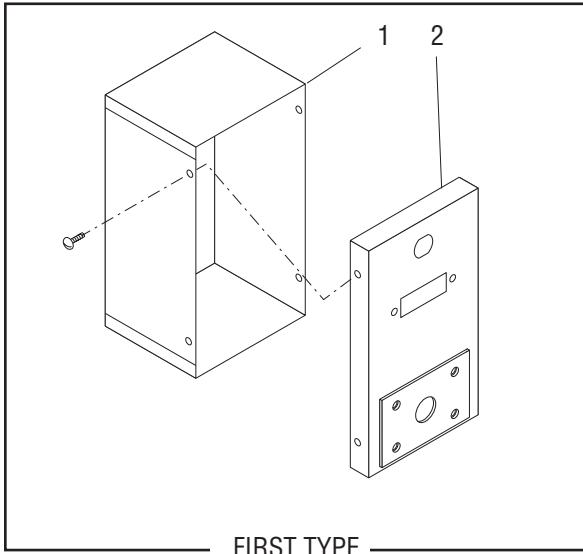


1 SH SERVER STAND COMPONENTS

ITEM	PART NO.	QTY.	DESCRIPTION
1	-----	1	Cover, Receptacle (SST) (First Type. Not available order second type and item 2)
	27775.0001	1	Cover, Receptacle (SST) (Second Type)
	27775.0002	1	Cover, Receptacle (Black)
	27775.0004	1	Cover, Receptacle (Red)
	01382.0000	2	Screw, Truss Head SST #6-32 x .375"
	01382.0002	2	Screw, Truss Head Black #6-32 x .375"
2	-----	1	Bracket, Receptacle (SST) (First Type. Not available order second type and item 1)
	27774.0001	1	Bracket, Receptacle (SST) (Second Type)
	27774.0002	1	Bracket, Receptacle (Black)
	27774.0004	1	Bracket, Receptacle (Red)
	01382.0003	4	Screw, Truss Head Locking #6-32 x .375"
	01382.0002	2	Screw, Truss Head Black #6-32 x .375"
3	12249.0001	2	Rail, Guide (SST)
	12249.0007	2	Rail, Guide (Black)
	00970.0000	4	Nut, Keps #8-32
4	27263.0000	1	Cover, Stand (SST)
	27263.0002	1	Cover, Stand (Red)
	01382.0000	4	Screw, Truss Head Locking #6-32 x .375"
5	27181.0001	1	Circuit Breaker, 4 amp
6	27253.0001	1	Transformer, 80 VA 115-120/240V-24V
	29179.0001	1	Transformer W/Fuse, 115-230V-24V
	01382.0000	2	Screw, Truss Head #6-32 x .375"
	00973.0000	2	Nut , Keps #6-32 (Prior to Serial #SSTF002813 only)
7	22126.0000	1	Rectifier
	02367.0000	1	Screw, Truss Head #6-32 x .625"
8	26722.0000	2	Adapter, Spade
9	07070.0000	1	Bushing, Snap (.687" Dia. hole)
	01663.0000	1	Bushing, Snap (.875" Dia. hole)
10	26528.0000	4	Leg, 4" Adjustable Black Plastic (See item 23)
11	03996.0000	4	Pad, Rubber 1.25" Dia (See item 23)
12	01686.0000	1	Bushing, Strain Relief
13	28154.0000	1	Housing W/Decals, SST (Includes items 14 & 15)
	35320.1003	1	Housing W/Decals, RED (Includes items 14 & 15)
14	00986.0000	1	Decal, Warning - Electrical
15	27789.0000	1	Schematic, Electrical (120V only)
16	27790.1000	1	Receptacle Assembly, Spring Contact (Includes item 17, 18 & 19)
	20608.0000	2	Screw, Flat Head #6-32 x .375" SST Black
	00973.0000	2	Nut , Keps #6-32
17	27746.0000	1	Housing, Spring Contact
18	27788.0000	2	Spring

(Continued)

(Continued)

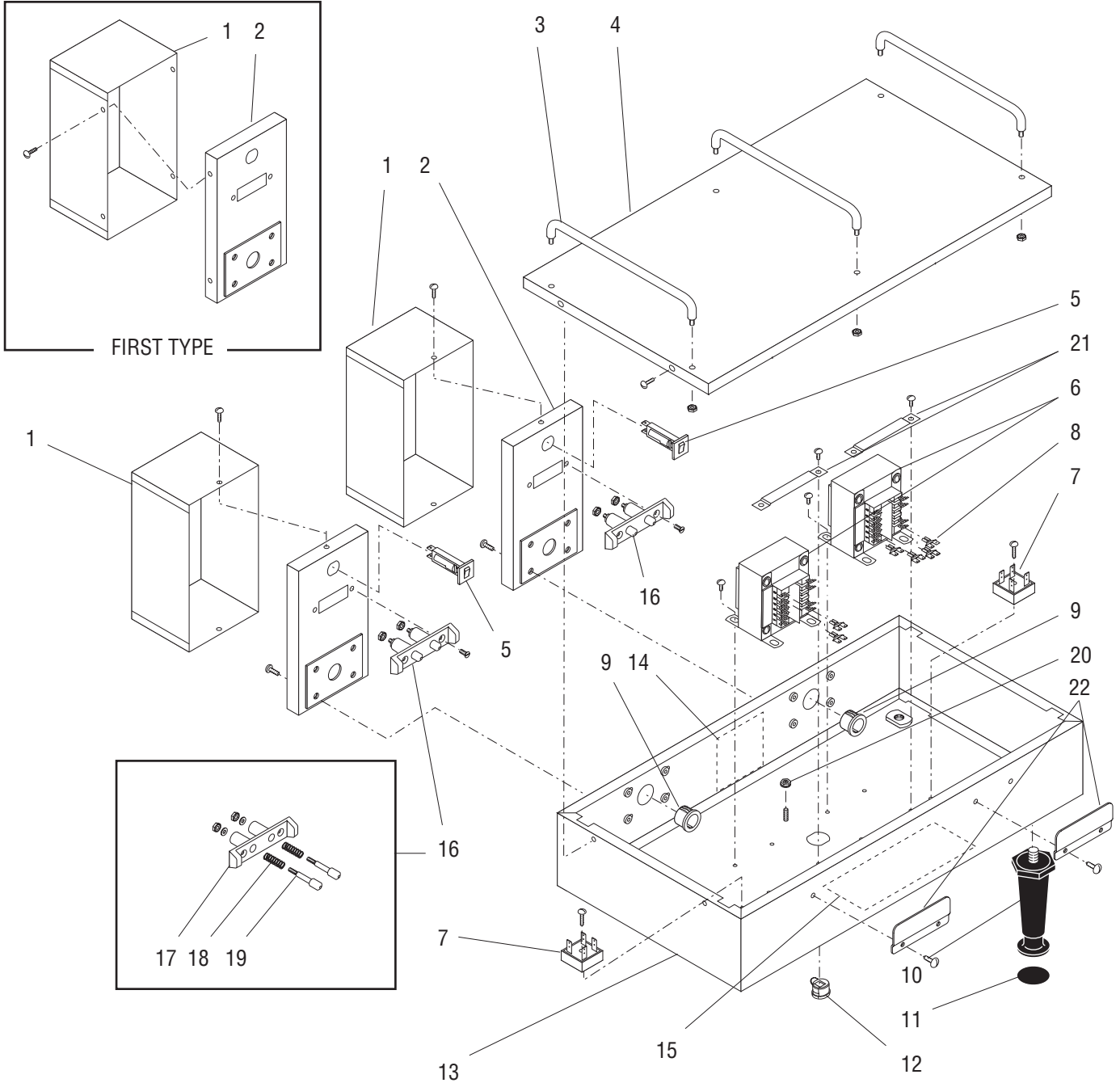


1 SH SERVER STAND COMPONENTS

ITEM	PART NO.	QTY.	DESCRIPTION
19	27748.0000	2	Pin, Contact
	01521.0000	2	Washer, Flat
	00973.0000	2	Nut, Keps #6-32
20	00971.0000	1	Nut, Keps #10-32 - Cord Ground
21	28264.0000	1	Strap, Transformer Hold Down
	01382.0000	2	Screw, Truss Head #6-32 x .375" } Serial #SSTF002813 and up
22	21537.0001	1	Plate, Server Stop SST
	21537.0004	1	Plate, Server Stop RED
	01347.0000	2	Screw, Truss Head #6-32 x .38"

Note: The following parts are not illustrated

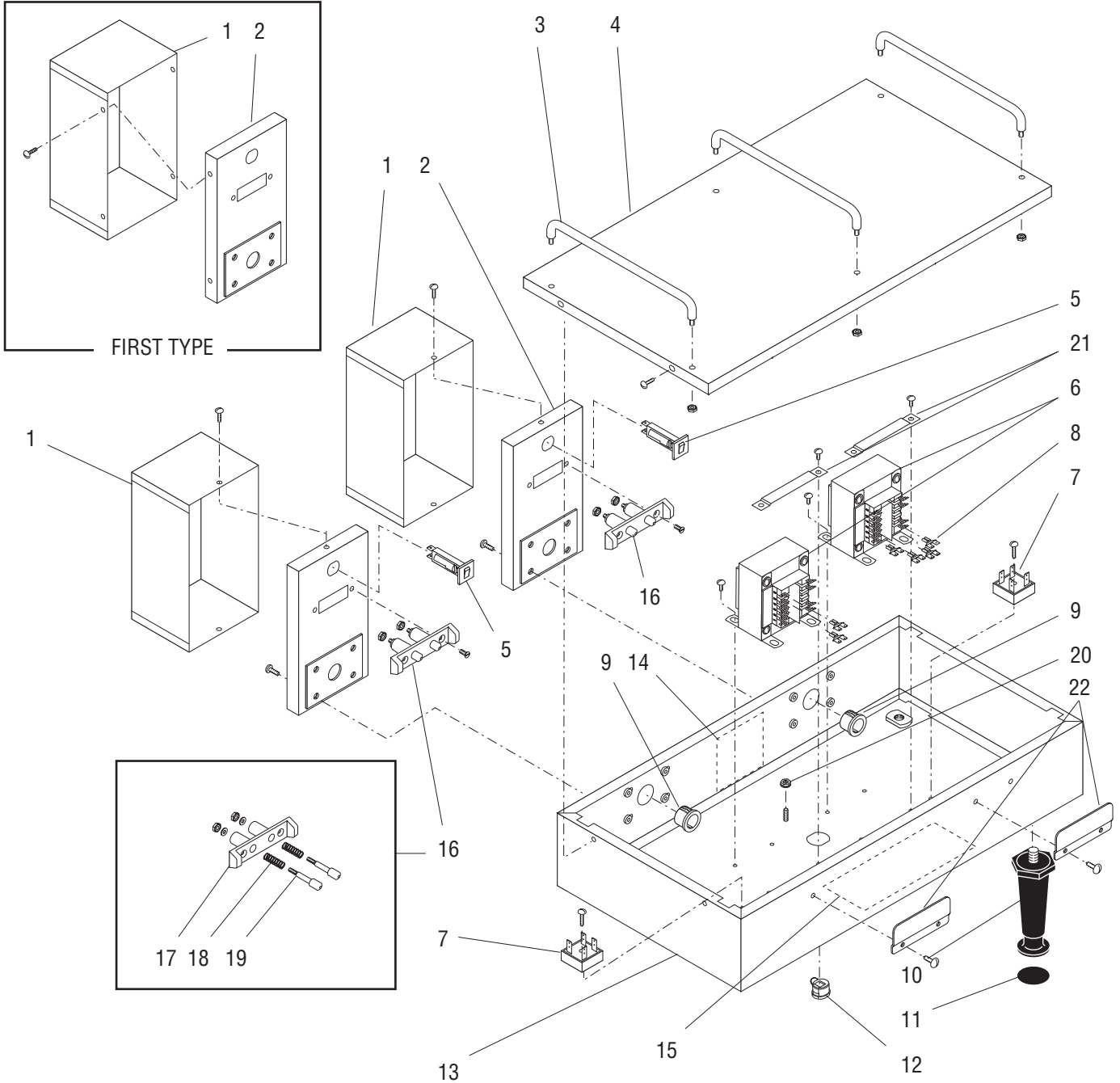
23	13255.0003	1	Kit, Leg 4" Adjustable Black Plastic (Includes four legs and pads)
24	20630.0003	1	Cord, Power 18/3 (120V)
	33529.0009	1	Cord, Power 18/3 (230V)
	38074.0012	1	Cord, Power 10A/250V (Stands with product #27875.0006 only)
25	27791.0000	1	Wiring Harness, Server Contacts (120V)
	27791.0003	1	Wiring Harness, Server Contacts (230V)



2 SH SERVER STAND COMPONENTS

ITEM	PART NO.	QTY.	DESCRIPTION
1	-----	2	Cover, Receptacle (SST) (First Type. Not available order second type and item 2)
	27775.0001	2	Cover, Receptacle (SST) (Second Type)
	27775.0002	2	Cover, Receptacle (Black)
	01382.0000	4	Screw, Truss Head SST #6-32 x .375"
	01382.0002	4	Screw, Truss Head Black #6-32 x .375"
2	-----	2	Bracket, Receptacle (SST) (First Type. Not available order second type and item 1)
	27774.0001	2	Bracket, Receptacle (SST) (Second Type.)
	27774.0002	2	Bracket, Receptacle (Black)
	01382.0003	8	Screw, Truss Head Locking #6-32 x .375"
	01382.0002	8	Screw, Truss Head Black #6-32 x .375"
3	12249.0001	3	Rail, Guide (SST)
	12249.0007	3	Rail, Guide (Black)
	00970.0000	6	Nut, Keps #8-32
4	27766.0000	1	Cover, Stand (SST) 120/240V
	01382.0003	4	Screw, Truss Head Locking #6-32 x .375"
5	27181.0001	2	Circuit Breaker, 4 amp
6	27253.0001	1	Transformer, 80 VA 115/230V-24V
	29179.0001	1	Transformer W/Fuse, 115/230V-24V
	01382.0000	4	Screw, Truss Head #6-32 x .375"
	00973.0000	2	Nut , Keps #6-32 (Prior to Serial #SSTF003327 only)
7	22126.0000	2	Rectifier
	02367.0000	2	Screw, Truss Head #6-32 x .625"
8	26722.0000	6	Adapter, Spade
9	07070.0000	2	Bushing, Snap (.687" Dia. hole)
	01663.0000	2	Bushing, Snap (.875" Dia. hole)
10	26528.0000	4	Leg, 4" Adjustable Black Plastic (See item 23)
11	03996.0000	4	Pad, Rubber 1.25" Dia (See item 23)
12	01686.0000	1	Bushing, Strain Relief
13	35322.1000	1	Housing W/Decals, Stand (Includes items 14 & 15)
14	00986.0000	1	Decal, Warning - Electrical
15	27793.0000	1	Schematic, Electrical (120V only)
	27793.0001	1	Schematic, Electrical (230V)
16	27790.1000	2	Receptacle Assembly, Spring Contact (Includes item 17, 18 & 19)
	20608.0000	4	Screw, Flat Head #6-32 x .375" SST Black
	00973.0000	4	Nut, Keps #6-32 - Zinc Pl
17	27746.0000	1	Housing, Spring Contact
18	27788.0000	2	Spring
19	27748.0000	2	Pin, Contact
	01521.0000	2	Washer, Flat
	00973.0000	2	Nut, Keps #6-32 Zinc Pl
20	00971.0000	1	Nut, Keps #10-32 Zinc Pl - Cord Ground
21	28264.0000	2	Strap, Transformer Hold Down
	01382.0000	4	Screw, Truss Head #6-32 x .375" } Serial #SSTF003327 and up

(Continued)



2 SH SERVER STAND COMPONENTS

ITEM	PART NO.	QTY.	DESCRIPTION
22	21537.0001	2	Plate, Server Stop SST
	01347.0000	4	Screw, Truss Head #6-32 x .38"
Note: The following parts are not illustrated			
23	13255.0003	1	Kit, Leg 4" Adjustable Black Plastic (Includes four legs and pads)
24	20630.0003	1	Cord, Power 18/3 (120V)
	33529.0009	1	Cord, Power 18/3 (230V)
	38074.0012	1	Cord, Power 10A/250V (Stands with product #27875.0005 only)
25	27791.0000	2	Wiring Harness, Server Contacts (120V)
	27791.0003	2	Wiring Harness, Server Contacts (230V)
26	27794.0000	1	Wiring Harness, Transformer (120V)
	27794.0001	1	Wiring Harness, Transformer (230V)

NUMERICAL INDEX

PART NO.	PAGE NO.	PART NO.	PAGE NO.	PART NO.	PAGE NO.	PART NO.	PAGE NO.
00970.0000.....	5,9						
00971.0000.....	5,9						
00973.0000.....	7,9						
00986.0000.....	5,9						
01347.0000.....	7,11						
01382.0000.....	5,7,9						
01382.0003.....	5,9						
01521.0000.....	7,9						
01663.0000.....	5,9						
01686.0000.....	5,9						
02367.0000.....	5,9						
03996.0000.....	5,9						
07070.0000.....	5,9						
12249.0001.....	5,9						
12249.0007.....	5,9						
13255.0003.....	7,11						
20608.0000.....	5,9						
20630.0003.....	7,11						
21537.0001.....	7,11						
21537.0004.....	7						
22126.0000.....	5,9						
26528.0000.....	5,9						
26722.0000.....	5,9						
27181.0001.....	5,9						
27253.0001.....	5,9						
27263.0000.....	5						
27263.0002.....	5						
27746.0000.....	5,9						
27748.0000.....	7,9						
27766.0000.....	9						
27774.0001.....	5,9						
27774.0002.....	5,9						
27774.0004.....	5						
27775.0001.....	5,9						
27775.0002.....	5,9						
27775.0004.....	5						
27788.0000.....	5,9						
27789.0000.....	5						
27790.1000.....	5,9						
27791.0000.....	5,9						
27791.0003.....	5,9						
27793.0000.....	9						
27793.0001.....	9						
27794.0000.....	11						
27794.0001.....	11						
28154.0000.....	5						
28264.0000.....	5,9						
29179.0001.....	5,9						
33529.0009.....	7,11						
35320.1000.....	5						
35322.1000.....	9						
38074.0012.....	7,11						