



Tim Hortons
Fresh Brewer
&
Server



ILLUSTRATED PARTS CATALOG RESTAURANT OWNERS

BUNN-O-MATIC CORPORATION OF CANADA

280 INDUSTRIAL PARKWAY SOUTH
AURORA, ONTARIO L4G 3T9
PHONE: (905) 841-2866 FAX: (905) 841-2775
www.bunn.com

BUNN-O-MATIC COMMERCIAL PRODUCT WARRANTY

Bunn-O-Matic Corporation of Canada (“Bunn”) warrants equipment manufactured by it as follows:

- 1) Airpots, thermal carafes, decanters, GPR servers, iced tea/coffee dispensers, MCP/MCA pod brewers thermal servers and Thermofresh servers (mechanical and digital) - 1 year parts and 1 year labour.
- 2) All other equipment - 2 years parts and 1 year labour plus added warranties as specified below:
 - a) Electronic circuit and/or control boards - parts and labour for 3 years.
 - b) Compressors on refrigeration equipment - 5 years parts and 1 year labour.
 - c) Grinding burrs on coffee grinding equipment to grind coffee to meet original factory sieve analysis - parts and labour for 4 years or 40,000 pounds of coffee, whichever comes first.

These warranty periods run from the date of installation. Bunn warrants that the equipment manufactured by it will be commercially free of defects in material and workmanship existing at the time of manufacture and appearing within the applicable warranty period. This warranty does not apply to any equipment, component or part that was not manufactured by Bunn or that, in Bunn’s judgement, has been affected by misuse, neglect, alteration, improper installation or operation, improper maintenance or repair, non periodic cleaning and descaling, equipment failures related to poor water quality, damage or casualty. In addition, the warranty does not apply to replacement of items subject to normal use including but not limited to user replaceable parts such as seals and gaskets. This warranty is conditioned on the Buyer 1) giving Bunn prompt notice of any claim to be made under this warranty by telephone at (905) 841-2866 or by writing to 280 Industrial Parkway South, Aurora, Ontario, L4G 3T9. 2) if requested by Bunn, shipping the defective equipment prepaid to an authorized Bunn service location; and 3) receiving prior authorization from Bunn that the defective equipment is under warranty.

THE FOREGOING WARRANTY IS EXCLUSIVE AND IS IN LIEU OF ANY OTHER WARRANTY, CONDITION, WRITTEN OR ORAL, EXPRESS OR IMPLIED, INCLUDING, BUT NOT LIMITED TO, ANY IMPLIED WARRANTY OF EITHER MERCHANTABILITY, MERCHANTABILITY OR FITNESS FOR A PARTICULAR PURPOSE. The agents, dealers or employees of Bunn are not authorized to make modifications to this warranty or to make additional warranties that are binding on Bunn. Accordingly, statements by such individuals, whether oral or written, do not constitute warranties and should not be relied upon.

If Bunn determines in its sole discretion that the defective equipment is covered by warranty, Bunn, at its exclusive option while the equipment is under warranty, shall either 1) provide at no charge replacement parts and/or labour (during the applicable parts and labour warranty periods specified above) to repair the defective components, provided that this repair is done by a Bunn Authorized Service Representative; or 2) shall replace the equipment or refund the purchase price for the equipment.

THE BUYER’S REMEDY AGAINST BUNN FOR THE BREACH OF ANY OBLIGATION ARISING OUT OF THE SALE OF THIS EQUIPMENT, WHETHER DERIVED FROM WARRANTY OR OTHERWISE, SHALL BE LIMITED, AT BUNN’S SOLE OPTION AS SPECIFIED HEREIN, TO REPAIR, REPLACEMENT OR REFUND.

In no event shall Bunn be liable for any other damage or loss, including, but not limited to, lost profits, lost sales, loss of use of equipment, claims of Buyer’s customers, cost of capital, cost of down time, cost of substitute equipment, facilities or services, or any other special, incidental, consequential or punitive damages.

RETURN POLICY

CONTACT PLANT FOR RETURN MATERIAL AUTHORIZATION. ALL RETURNS MUST BE AUTHORIZED BY BUNN-O-MATIC AND ARE SUBJECT TO A RETURN CHARGE.

392, A Partner You Can Count On, Air Infusion, AutoPOD, AXIOM, BrewLOGIC, BrewMETER, Brew Better Not Bitter, BrewWISE, BrewWIZARD, BUNN Espresso, BUNN Family Gourmet, BUNN Gourmet, BUNN Pour-O-Matic, BUNN, BUNN with the stylized red line, BUNNlink, Bunn-O-Matic, Bunn-O-Matic, BUNNserve, BUNNSERVE with the stylized wrench design, Cool Froth, DBC, Dr. Brew stylized Dr. design, Dual, Easy Pour, EasyClear, EasyGard, FlavorGard, Gourmet Ice, Gourmet Juice, High Intensity, iMIX, Infusion Series, Intellisteam, My Café, Phase Brew, PowerLogic, Quality Beverage Equipment Worldwide, Respect Earth, Respect Earth with the stylized leaf and coffee cherry design, Safety-Fresh, savemycoffee.com, Scale-Pro, Silver Series, Single, Smart Funnel, Smart Hopper, SmartWAVE, Soft Heat, SplashGard, The Mark of Quality in Beverage Equipment Worldwide, Thermo-Fresh, Titan, trifacta, Velocity Brew, Air Brew, Beverage Bar Creator, Beverage Profit Calculator, Brew better, not bitter., BUNNSource, Coffee At Its Best, Cyclonic Heating System, Daypart, Digital Brewer Control, Element, Nothing Brews Like a BUNN, Pouring Profits, Signature Series, Tea At Its Best, The Horizontal Red Line, Ultra are either trademarks or registered trademarks of Bunn-O-Matic Corporation. The commercial trifacta® brewer housing configuration is a trademark of Bunn-O-Matic Corporation. Its Best, Cyclonic Heating System, Daypart, Digital Brewer Control, Element, Nothing Brews Like a BUNN, Pouring Profits, Signature Series, Tea At Its Best, The Horizontal Red Line, Ultra are either trademarks or registered trademarks of Bunn-O-Matic Corporation. The commercial trifacta® brewer housing configuration is a trademark of Bunn-O-Matic Corporation.

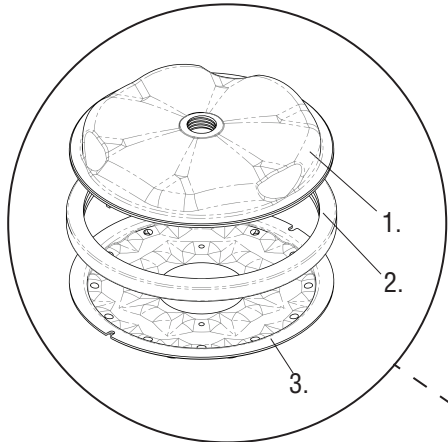
FRESH BREWER REPLACEMENT PARTS KITS

ITEM	PART NO.	QTY	DESCRIPTION
-	18000.7100		TIM HORTONS FRESH BREWER SYSTEMS PARTS KIT
<i>***Includes both brewer and server parts kits as listed below (18000.7101 & 18000.7102)</i>			
-	18000.7101	--	TIM HORTONS FRESH BREWER PARTS KIT
1	56941.0000	2	SPRAYHEAD, BACK FLAT PLASTIC
2	34868.0000	2	SEAL,SPRAYHEAD
3	43920.0005	2	SPRAYHEAD, 17 HOLE PLASTIC WAVE W/RIBS
4	53463.7109	1	FUNNEL ASSY, SMART COFFEE-BLK
5	53374.0007	1	SPLASH GARD, SMART W/TRANSPONDER
11	38227.0000	1	TOOL,SPRAYHEAD CLEANING
-	18000.7102	--	TIM HORTONS FB SERVER PARTS KIT
12	52391.1010	1	ASSY, SIGHT GAUGE LEVER W/SPRING
14	54531.0002	3	TUBE, SIGHT GAUGE
15	51319.0010	5	SEAL, LOWER SIGHT GAUGE
16	51312.0027	1	SHROUD, SIGHT TUBE SH SERVER
18	00601.0000	2	SPRING, FAUCET
19	29164.0000	1	STEM,FAUCET BLACK PLASTIC
20	00600.0000	3	SEAT CUP, FAUCET SILICONE
21	41346.0001	2	FAUCET BODY, NOTCHED BLACK
22	52914.0003	1	SEAL, SHANK SH SERVER
23	52095.1010	2	ASSY, FAUCET SHANK W/PROBE SH SERVER
24	03093.0002	1	WING NUT, FAUCET (BLACK)
26	01221.0000	1	C-RING, FAUCET SHANK
27	51315.0007	1	HANDLE, FAUCET 3.0 SHORT BLANK BLK
29	00674.0000	1	BRUSH,TUBE-NYL BRISTLE .750D



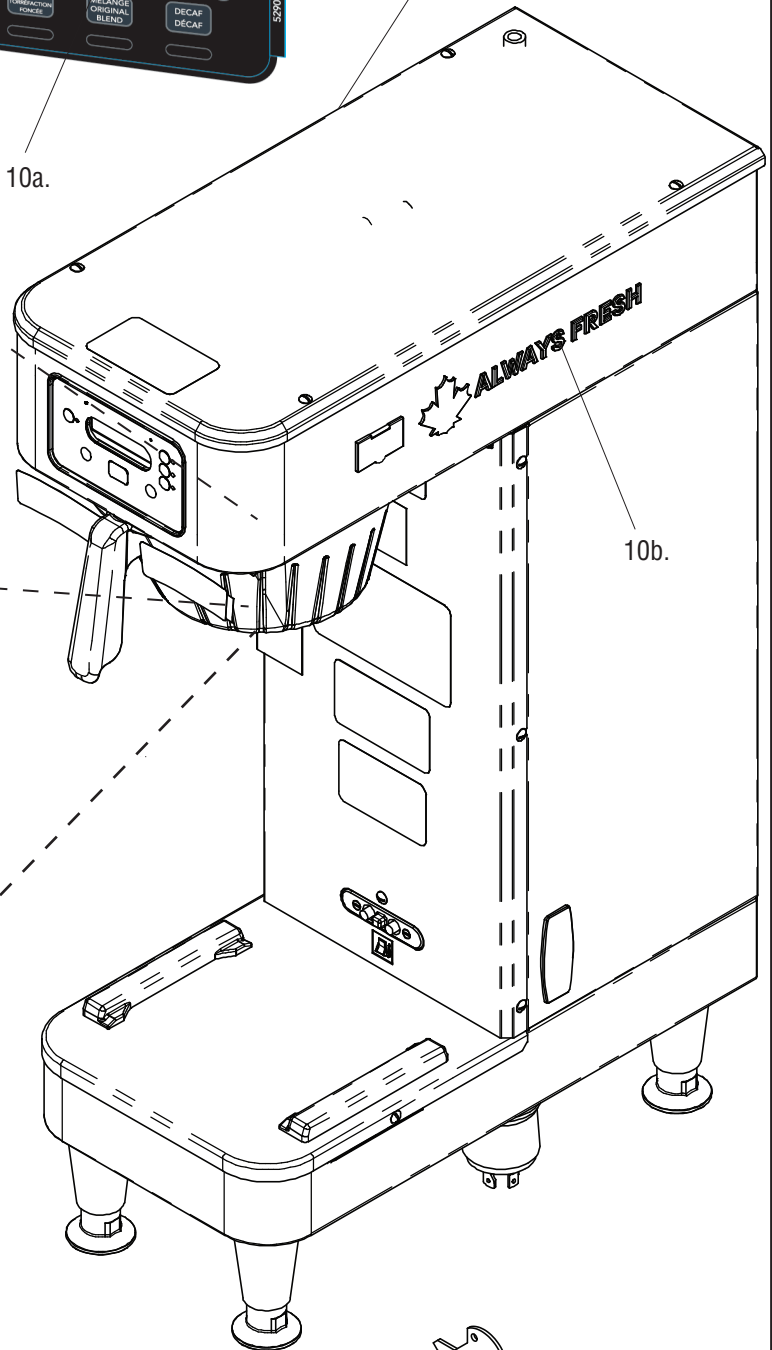
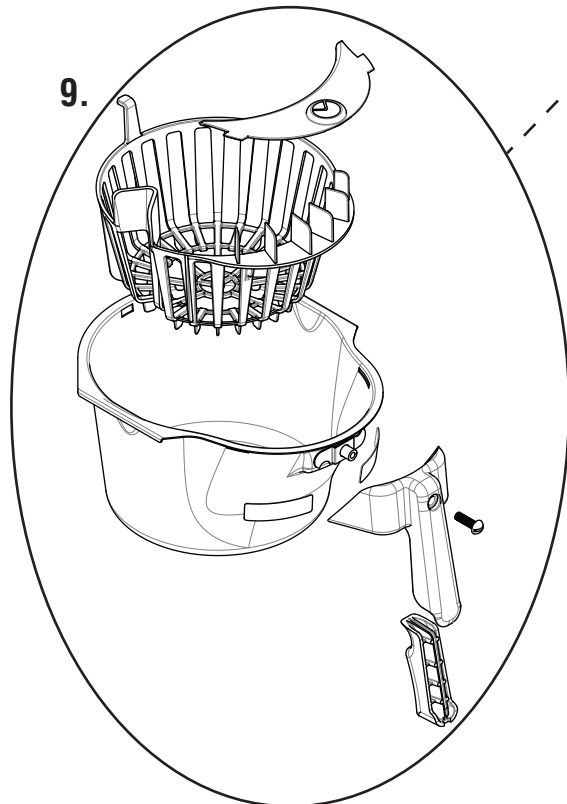
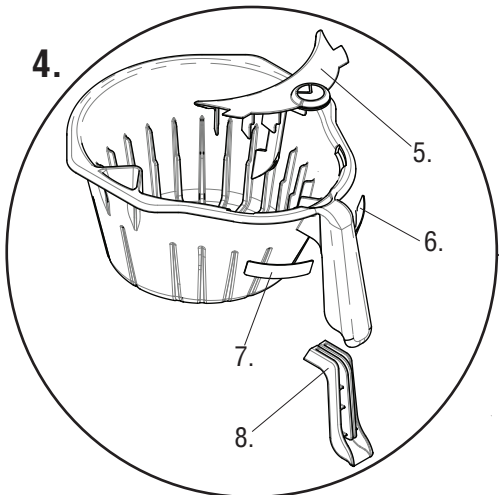
FRESH BREWER

ICB SH

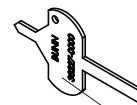


10c.
10d.

10a.



10b.



11.

FRESH BREWER REPLACEMENT PARTS

ITEM	PART NO.	KIT QTY	DESCRIPTION
-	18000.7101	--	TIM HORTONS FRESH BREWER PARTS KIT
1	56941.0000	2	SPRAYHEAD, BACK FLAT PLASTIC
2	34868.0000	2	SEAL,SPRAYHEAD
3	43920.0005	2	SPRAYHEAD, 17 HOLE PLASTIC WAVE W/RIBS
4	53463.7109	1	FUNNEL ASSY, SMART COFFEE-BLK
5	53374.0007	1	SPLASH GARD, SMART W/TRANSPONDER
11	38227.0000	1	TOOL,SPRAYHEAD CLEANING

Available items not Included in above parts kit:

6	03408.7008	-	DECAL,RMV FUNNEL SLOWLY CANADIAN
7	03409.7006	-	DECAL, WARNING HOT LIQUID CANADIAN
8	53544.0000	-	INSERT, FUNNEL HANDLE GRIP
9	54675.7001	-	FUNNEL ASSY, SST INFUSION COFFEE (ENG/FRE)

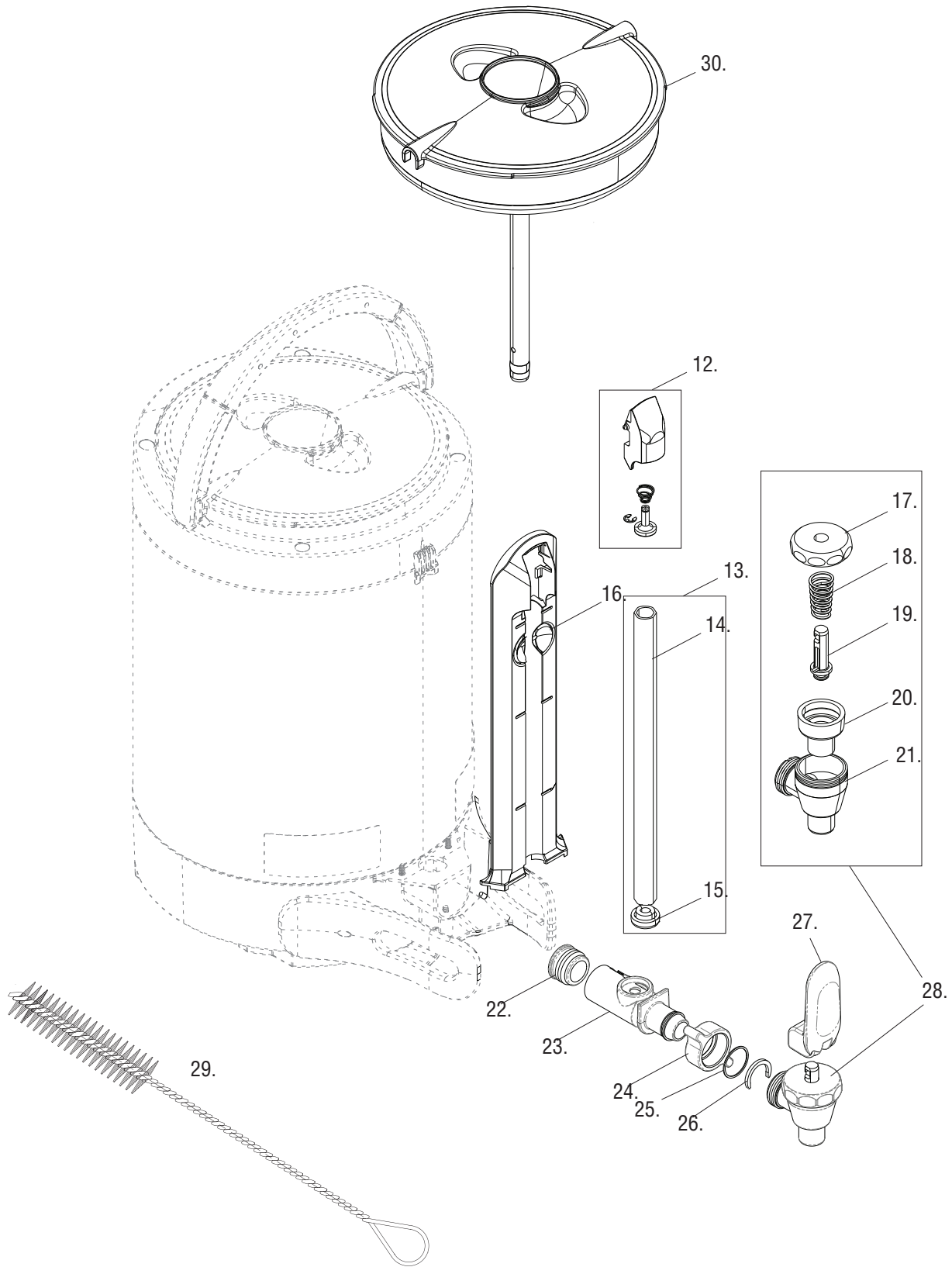
Branding Items

10a	52904.7100	-	OVERLAY,TIM HORTONS ICB SH
10b	56216.0000	-	BRAND DECAL "ALWAYS FRESH" RIGHT
10c	56216.0001	-	BRAND DECAL "ALWAYS FRESH" LEFT
10d	56216.0002	-	BRAND DECAL "TOUJOURS FRAIS" LEFT



FRESH BREWER SERVER

SH SERVER



FRESH BREWER SERVER REPLACEMENT PARTS

ITEM	PART NO.	KIT QTY	DESCRIPTION
-	18000.7102	--	TIM HORTONS FB SERVER PARTS KIT
12	52391.1010	1	ASSY, SIGHT GAUGE LEVER W/SPRING
14	54531.0002	3	TUBE, SIGHT GAUGE
15	51319.0010	5	SEAL, LOWER SIGHT GAUGE
16	51312.0027	1	SHROUD, SIGHT TUBE SH SERVER
18	00601.0000	2	SPRING, FAUCET
19	29164.0000	1	STEM,FAUCET BLACK PLASTIC
20	00600.0000	3	SEAT CUP, FAUCET SILICONE
21	41346.0001	2	FAUCET BODY, NOTCHED BLACK
22	52914.0003	1	SEAL, SHANK SH SERVER
23	52095.1010	2	ASSY, FAUCET SHANK W/PROBE SH SERVER
24	03093.0002	1	WING NUT, FAUCET (BLACK)
26	01221.0000	1	C-RING, FAUCET SHANK
27	51315.0007	1	HANDLE, FAUCET 3.0 SHORT BLANK BLK
29	00674.0000	1	BRUSH,TUBE-NYL BRISTLE .750D

Available items not Included in above parts kit:

13	51319.1000	-	SIGHT GAUGE SEAL WITH TUBE
17	29165.0001	-	BONNET, FAUCET BLACK PLASTIC
25	45415.0000	-	WASHER,FLAT SST .83 ID X .93 OD X .025
28	03260.0031	-	FAUCET ASSY, PLASTIC NOTCHED SH SERVER
30	53031.0000	-	LID ASSY, SH SERVER

