



# IMIX<sup>®</sup>-5S+



## ILLUSTRATED PARTS CATALOG

Designs, materials, weights, specifications, and dimensions for equipment or replacement parts are subject to change without notice.

### BUNN-O-MATIC CORPORATION

POST OFFICE BOX 3227

SPRINGFIELD, ILLINOIS 62708-3227

PHONE: (217) 529-6601 FAX: (217) 529-6644

[www.bunn.com](http://www.bunn.com)

To ensure you have the latest revision of the Operating Manual, Illustrated Parts Catalog, Programming Manual, or Service Manual, please visit the Bunn-O-Matic website, at [www.bunn.com](http://www.bunn.com). This is absolutely FREE, and the quickest way to obtain the latest catalog and manual updates. For Technical Service, contact Bunn-O-Matic Corporation at 1-800-286-6070.

## **BUNN-O-MATIC COMMERCIAL PRODUCT WARRANTY**

Warranty statements and information can be found on our website. Please visit <https://commercial.bunn.com/support/warranty-lookup> for further details.

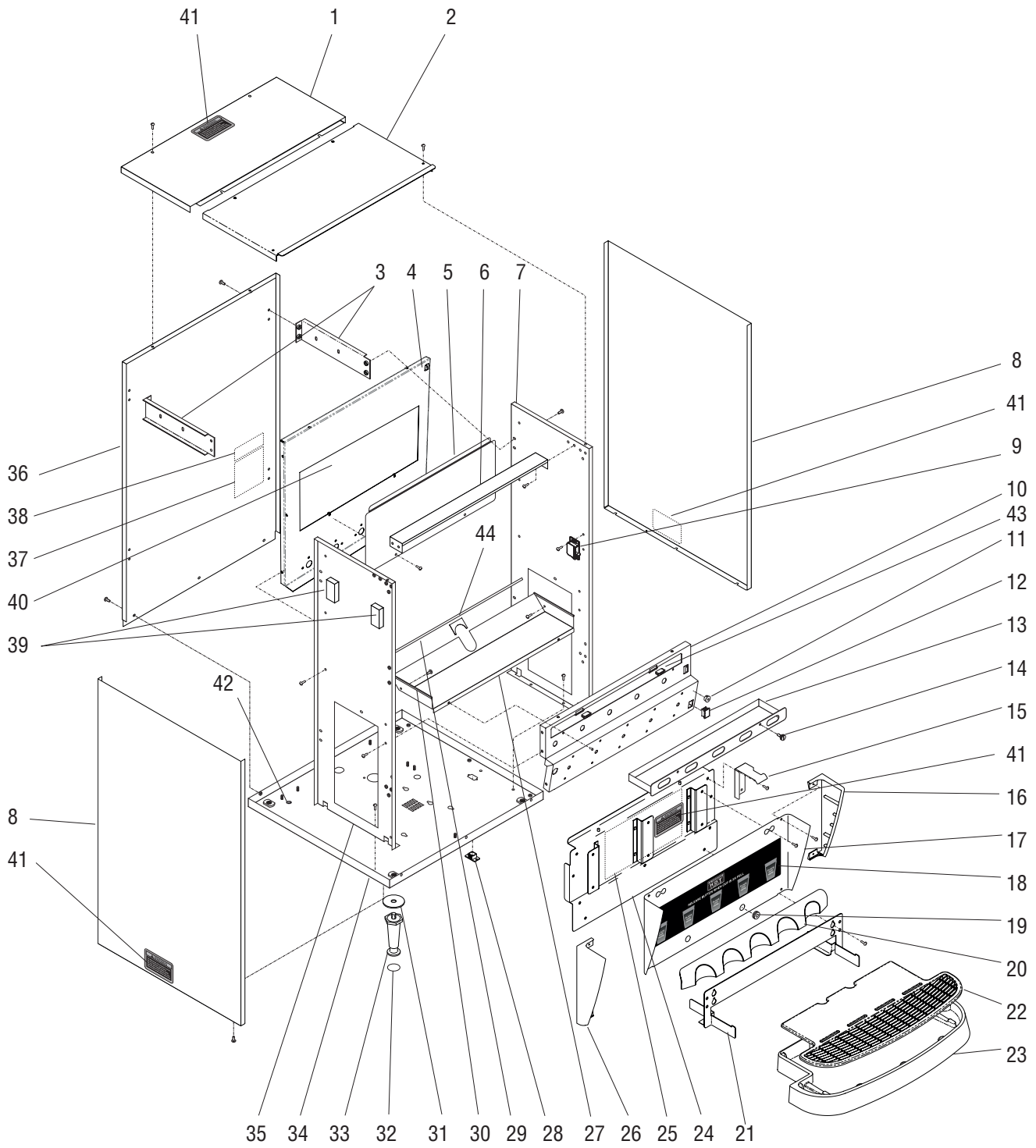
## TABLE OF CONTENTS

TITLE	PAGE NO.
Auger Drive and Hopper Assembly .....	16
Covers, Panels and Drip Tray .....	4
Dispense Valves and Lines.....	24
Door, Lamp, Dispense Switches and Panels (Left and Right Hinged Doors).....	8
Door, Lamp, Dispense Switches and Panels (Top Hinged Doors) .....	12
Electrical Controls .....	26
Mixing/Whipper Chambers and Drive Motor .....	18
Numerical Index.....	28
Tank, Heater and Overflow Protection .....	20



# COVERS, PANELS AND DRIP TRAY

IMIX®-5S+



## COVERS, PANELS AND DRIP TRAY

ITEM	PART NO.	QTY.	DESCRIPTION
1	35916.1001	1	Cover, Top Rear - BLK (Includes item 41)
	01311.0003	2	Screw, Truss Head BLK #8-32 x .25"
2	35915.1001	1	Cover, Top Front - BLK
	01311.0003	2	Screw, Truss Head BLK #8-32 x .25"
	01382.0002	2	Screw, Truss Head BLK #6-32 x .375"
3	35926.0000	4	Bracket, Side Support
	01311.0001	8	Screw, Truss Head - Locking #8-32 x .25"
4	35927.0006	1	Panel, Inner Rear
	01311.0001	6	Screw, Truss Head - Locking #8-32 x .25"
5	36232.0000	1	Panel, Inner Access
	01311.0000	2	Screw, Truss Head #8-32 x .25"
6	36648.0000	1	Strap, Top Support
	01311.0001	4	Screw, Truss Head - Locking #8-32 x .25"
	42598.1001	1	Bracket, Top Support (Models w/ Top Hinged Doors)
	01317.0003	6	Screw, Truss Head - Locking #8-32 x .38"
7	36230.0002	1	Panel, Inner Right (Models w/ Left or Right Hinged Doors)
	36230.0003	1	Panel, Inner Right (Models w/ Top Hinged Doors)
	01311.0001	2	Screw, Truss Head - Locking #8-32 x .25"
8	35912.0001	2	Panel, Side
	01311.0003	6	Screw, Truss Head BLK #8-32 x .25"
9	34666.0000	1	Catch, Door Latch
	02336.0000	2	Screw, Truss Head #4-40 x .375"
	01509.0001	2	Lock Washer, Int.-tooth #4
10	35929.0000*	1	Panel, Whipper Motor (Early Models w/ screws)
	35929.0004	1	Panel, Whipper Motor
	01311.0001	8	Screw, Truss Head - Locking #8-32 x .25"
11	00669.0005	1	Plug, Hole .438" Nkl. Pltd.
12	38935.0000	1	Insert, Switch Hole
13	36235.0000*	1	Tray, Powder Box (Early Models w/ screws)
	36235.0002	1	Tray, Powder Box (Late Models w/ magnets)
14	37988.0000*	2	Screw, Captive #10-32 x .50" (Early Models)
	34998.0000	2	E-Ring, Retaining .127" OD
15	36644.0001	1	Bracket, Door Locking (Right side)
	36644.0001*	1	Bracket, Door Locking (Left side)
	01311.0001	2	Screw, Truss Head - Locking #8-32 x .25"
16	36743.0001	1	Cap, Splash Panel Right
	44224.0000	4	Screw, Pan Head Plastite #6 x .375"
17	37180.1000	1	Panel W/Decal, Splash (Includes items 16, 18, 19, 20, & 26)
	01311.0001	2	Screw, Truss Head - Locking #8-32 x .25"
18	28328.0010	1	Decal, Caution-Hot Liquid & Cup Placement
19	02536.0000	2	Grommet, Silicone .375" ID
20	36742.0000	1	Guide, Cup

(Continued)

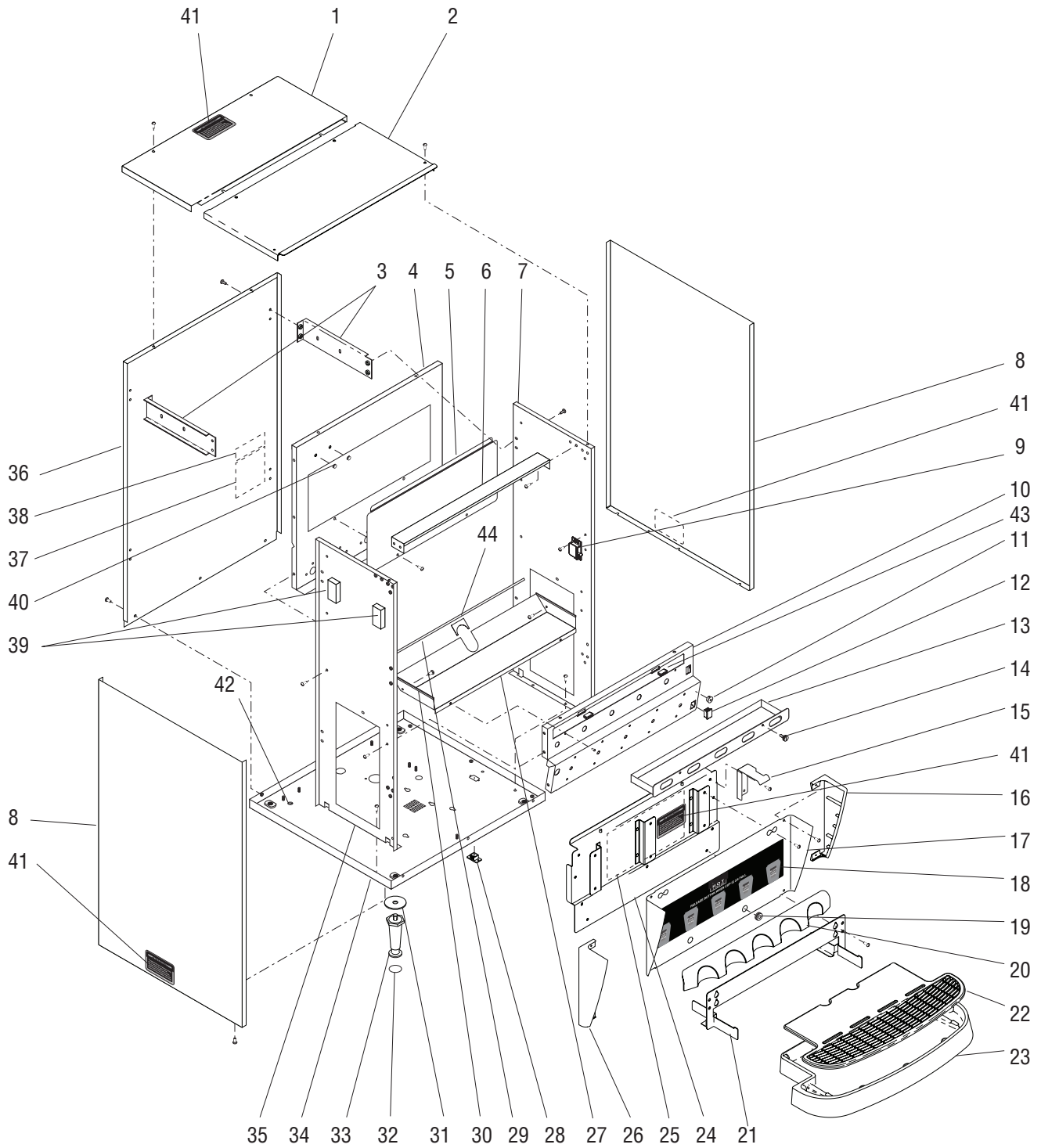
\* Indicates the part number listed is for reference only. See DESCRIPTION for possible service replacement.



# COVERS, PANELS AND DRIP TRAY

IMIX®-5S+

(Continued)



P3635

## COVERS, PANELS AND DRIP TRAY

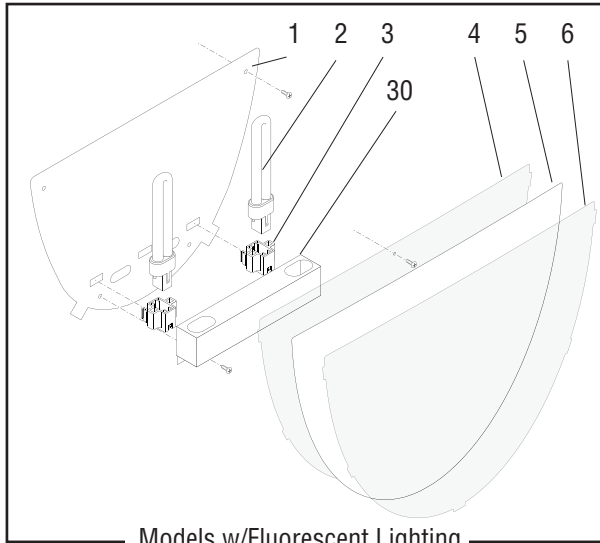
ITEM	PART NO.	QTY.	DESCRIPTION
21	37065.0000	1	Bracket, Drip Tray
	01311.0001	2	Screw, Truss Head - Locking #8-32 x .25"
22	36739.0000	1	Cover, Drip Tray
23	36670.0000	1	Drip Tray
24	36224.1002	1	Panel, Lower Access (Includes item 25)
	01311.0000	3	Screw, Truss Head #8-32 x .25"
25	38986.0000*	1	Schematic 120V (Doors with Fluorescent Lighting)
	38986.0001*	1	Schematic 230V (Doors with Fluorescent Lighting)
	38986.0013	1	Schematic 120V (Doors with LED Lighting)
26	36743.0000	1	Cap, Splash Panel Left
	44224.0000	4	Screw, Pan Head Plastite #6 x .375"
27	36240.0001	1	Shelf, Powder Box
	01311.0001	2	Screw, Truss Head - Locking #8-32 x .25"
	02336.0000	2	Screw, Truss Head #4-40 x .375"
28	36398.0000	1	Plug, Hole DB-9 (Early Models)
29	02434.0018*	1	Gasket, U-Channel 17.5" (Order item 46)
30	02434.0008*	2	Gasket, U-Channel 4.60" (Order item 46)
31	01526.0001	4	Washer, Flat .438" ID x 1.88" OD
32	03996.0000	4	Pad, Rubber 1.25" Dia. (Also see item 45)
33	26528.0000	4	Leg, 4.0" Adjustable (Also see item 45)
34	35924.0000	1	Panel, Bottom
35	36229.0002	1	Panel, Inner Left (Models w/ Left or Right Hinged Doors)
	36229.0003	1	Panel, Inner Left (Models w/ Top Hinged Doors)
	01311.0001	2	Screw, Truss Head - Locking #8-32 x .25"
36	35925.1001	1	Panel Assembly, Rear (Includes items 37 and 38)
	01311.0003	11	Screw, Truss Head BLK #8-32 x .25"
37	00831.0000	1	Decal, Warning-Electrical
38	00656.0001	1	Decal, Comply to Plumbing Code
39	36896.0000	4	Pad, Styro 1.0" x 2.0" x .5"
41	37881.0000	4	Decal, No Serviceable Parts
42	00824.0002	1	Decal, Grounding
43	21436.0000	2	Magnetic Catch (Late Models)
44	38345.0000	1	Filler Plate
45	13255.0003	-	Kit, Leg 4.0" Adjustable (Includes 4 each of items 32 and 33)
46	02434.1000	-	Gasket, U-Channel - 18" LG
	02434.1001	-	Gasket, U-Channel - 36" LG

\* Indicates the part number listed is for reference only. See DESCRIPTION for possible service replacement.

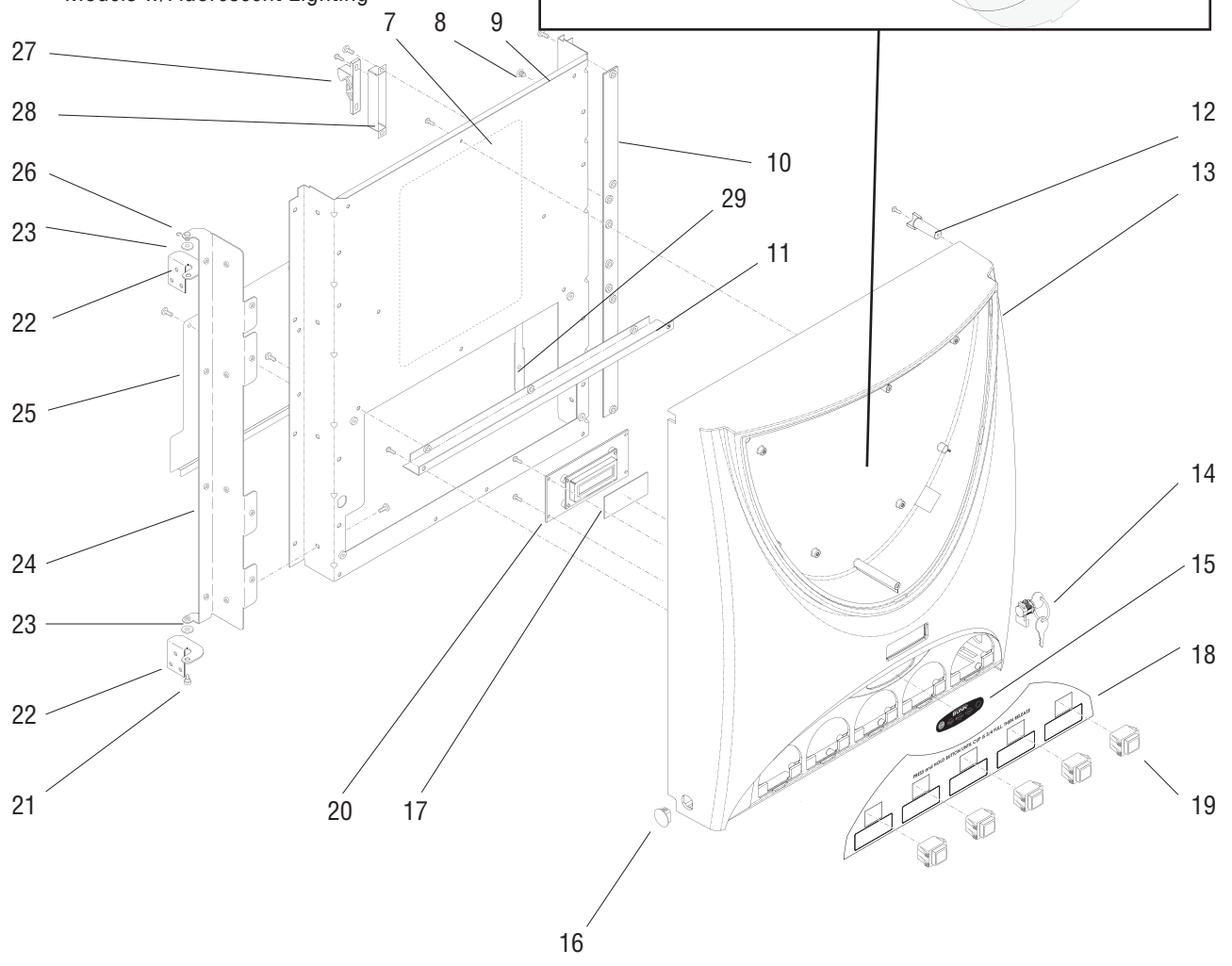
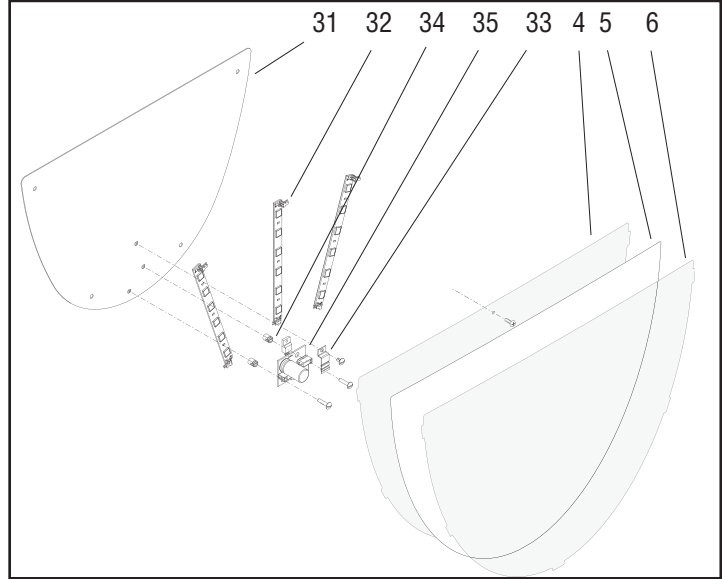


# DOOR, LAMP, DISPENSE SWITCHES AND PANELS (LEFT & RIGHT HINGED DOORS)

IMIX®-5S+



Models w/Fluorescent Lighting



P4083 a

**DOOR, LAMP, DISPENSE SWITCHES AND PANELS  
(LEFT & RIGHT HINGED DOORS)**

ITEM	PART NO.	QTY.	DESCRIPTION
1	36656.0003	1	Panel, Lamp (Doors with Fluorescent Lighting)
	44224.0000	4	Screw, Pan Head Plastite #6 x .375" TYPE 25
2	32806.0000	2	Lamp, Fluorescent - 7 Watts (Doors with Fluorescent Lighting)
3	32807.0001	2	Lamp Holder, Fluorescent (Doors with Fluorescent Lighting)
4	36650.0000	1	Lens, Fixed
	02336.0000	2	Screw, Truss Head #4-40 x .375"
5	36768.0006	1	Display, Graphics
6	36662.0000	1	Lens, Removable (Doors with Fluorescent Lighting)
	36650.0001	1	Lens, Removable (Doors with LED Lighting)
7	37254.0003	1	Decal, Cleaning
8	36149.0000	8	Fastener, Snap-in .197" Hole
9	36667.1000	1	Panel, Door - Upper (Includes item 7)(Right Hinged Doors)
	36667.1002	1	Panel, Door - Upper (Includes item 7)(Left Hinged Doors)
	44224.0000	4	Screw, Pan Head Plastite #6 x .375" TYPE 25
	01311.0001	19	Screw, Truss Head Locking #8-32 x .25"
10	36658.0000*	1	Flange, Door
11	36734.0000*	1	Bracket, Inner Panel
	44224.0000	4	Screw, Pan Head Plastite #6 x .375" TYPE 25
12	36244.0000	1	Plug, Door Hinge
	44224.0000	4	Screw, Pan Head Plastite #6 x .375" TYPE 25
13	37096.0000	1	Door
14	32863.1000	1	Keylock W/Keys, Door
	28095.0000	1	Key Set
15	36231.0000	1	Membrane Switch
16	00669.0004	1	Plug, .75" x .625" hole
17	37013.0000	1	Cover, LCD Door Lens
18	39046.0000	1	Switch Plate Assy.
19	28296.0001	3	Switch, Dispense, Red
	28296.0003	2	Switch, Dispense, Blue
20	38832.1001	1	Circuit Board, Display
	01311.0000	4	Screw, Truss Head #8-32 x .25"
21	24457.0002	1	Screw, .25" Shoulder #8-32
22	36647.0000	2	Bracket, Hinge (Right side Hinge)
	36647.0001	2	Bracket, Hinge (Left side Hinge)
	01311.0001	6	Screw, Truss Head #8-32 x .25" Locking
23	34362.0000	2	Bushing, Hinge

(Continued)

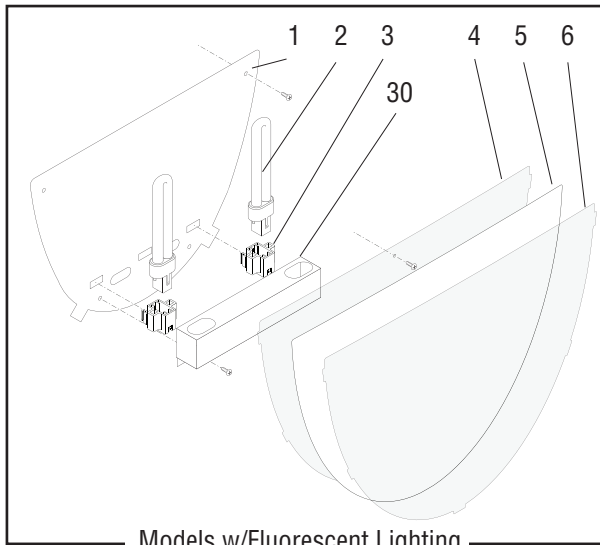
\* Indicates the part number listed is for reference only. See DESCRIPTION for possible service replacement.



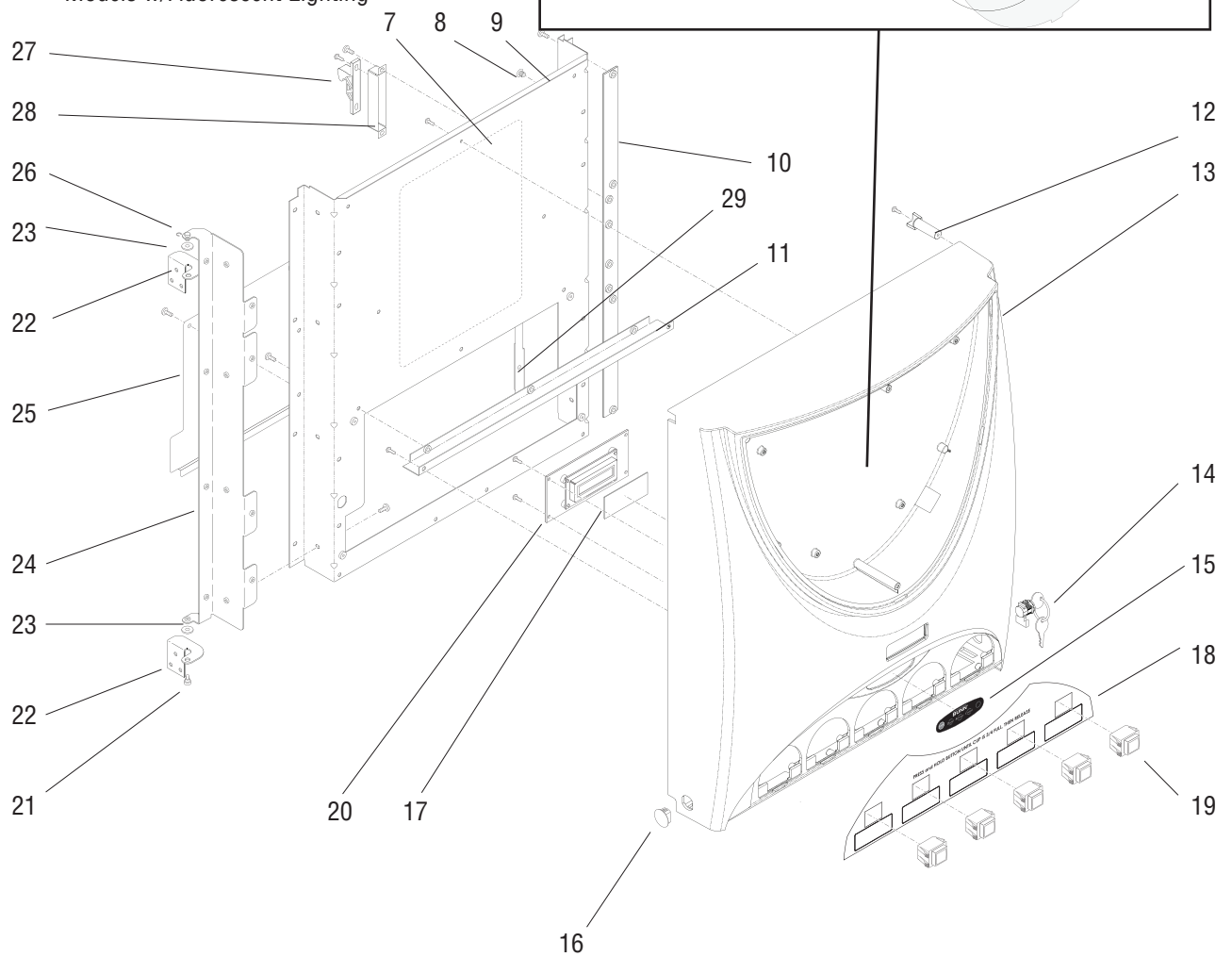
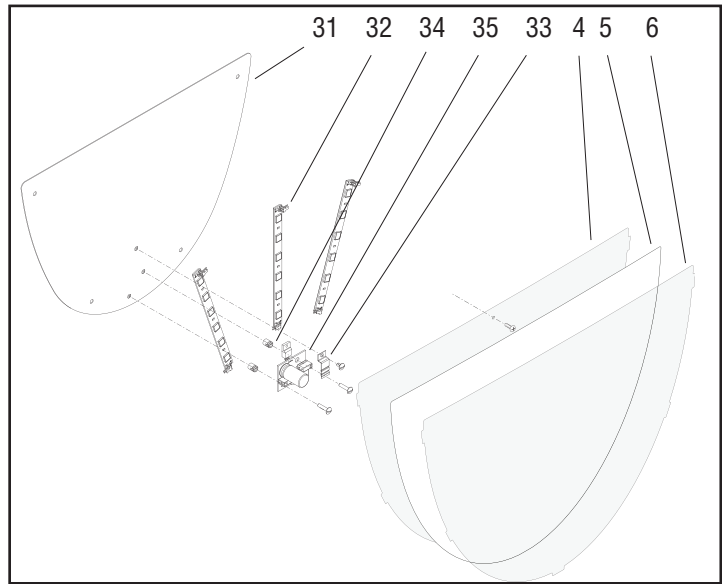
# DOOR, LAMP, DISPENSE SWITCHES AND PANELS (LEFT & RIGHT HINGED DOORS)

IMIX®-5S+

(Continued)



Models w/Fluorescent Lighting



P4083 a

**DOOR, LAMP, DISPENSE SWITCHES AND PANELS  
(LEFT & RIGHT HINGED DOORS)**

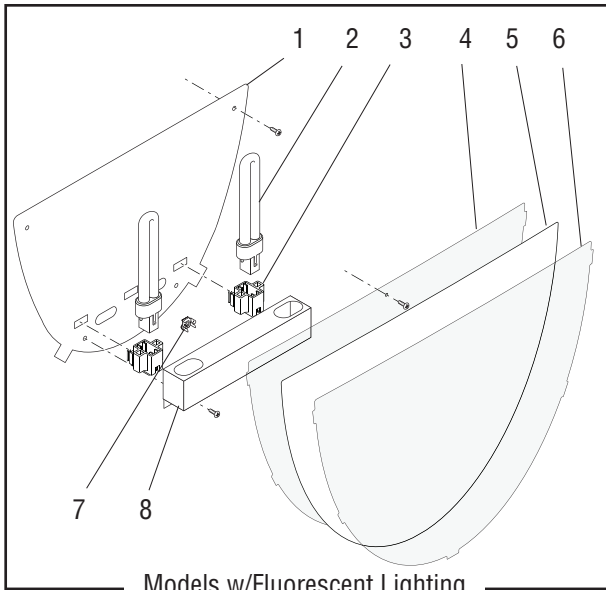
ITEM	PART NO.	QTY.	DESCRIPTION
24	36661.0002	1	Flange, Door Hinge (Left side Hinge)
	36661.0000	1	Flange, Door Hinge (Right side Hinge)
25	36659.0000	1	Panel, Door - Lower (Right Hinged Doors)
	36659.0002	1	Panel, Door - Lower (Left Hinged Doors)
	01311.0000	4	Screw, Truss Head #8-32 x .25"
26	01403.0000	1	E-Ring, External .188" Shaft
27	34667.0000	1	Keeper, Door Latch
	02336.0000	2	Screw, Truss Head #4-40 x .375"
28	36669.0000	1	Bracket, Keeper Mounting (Right Hinged Doors)
	39038.0000	1	Plate, Keeper Mounting (Left Hinged Doors)
	01311.0001	2	Screw, Truss Head #8-32 x .25" Locking
29	40031.1000	1	Baffle Kit, Left Hand Hinge
	40031.1001	1	Baffle Kit, Right Hand Hinge
30	40032.0002	1	Cover, Light (Doors with Fluorescent Lighting)
31	46324.0001	1	Panel, Lamp (Doors with LED Lighting)
	44224.0000	4	Screw, Pan Head Plastite #6 x .375" TYPE 25
32	42593.0000	3	CBA, 6 LED
33	41244.0000	1	Clip
	01308.0002	1	Screw, Truss Head 6-32 x .25" Lkg
34	29081.0005	2	Spacer
35	48005.0001	1	CBA, Backlight Regulator
	02367.0002	2	Screw, Truss Head 6-32 x .62" Lkg
<b>The following items are not illustrated</b>			
36	26444.0000	1	Bushing, Strain Relief (Doors with Fluorescent Lighting)
	47555.0000	1	Bushing, Strain Relief (Doors with LED Lighting)
37	36888.0000	1	Wiring Harness, Door Interconnect 120V (Doors with Fluorescent Lighting)
	47311.0001	1	Wiring Harness, Door Interconnect (Doors with LED Lighting)
38	36887.0003	1	Wiring Harness, Backlight (Doors with Fluorescent Lighting)
39	26537.0000	1	Decal, Flavors (Almond Amaretto, Cappuccino, French Vanilla, Hazelnut, Hot Chocolate and Raspberry Mocha)
	26537.0001	1	Decal, Flavors (Swiss Mocha, Mocha, Raspberry Vanilla, Irish Creme, Coffee and Original)
	26537.0003	1	Decal, Flavors (White Chocolate, Cinnamon Vanilla Nut, Decaf, Regular, French Vanilla and Hot Chocolate)
	26537.0039	1	Decal, Iced Coffee Flavors (Espresso Latte, Mocha Latte, Colombian, Dark Roast, Raspberry Coffee, Hazelnut Coffee, French Vanilla Latte, Caramel Latte, Chai Tea Latte, Horchatta)
40	40001.1000	-	Kit, Switch Bezel (Includes 2 red and 3 blue bezels to indicate all hot or all cold beverages)
41	42609.0000	1	Wiring Harness, LED to CBA (Doors with LED Lighting)
	42609.0001	1	Wiring Harness, LED to LED (Doors with LED Lighting)

\* Indicates the part number listed is for reference only. See DESCRIPTION for possible service replacement.

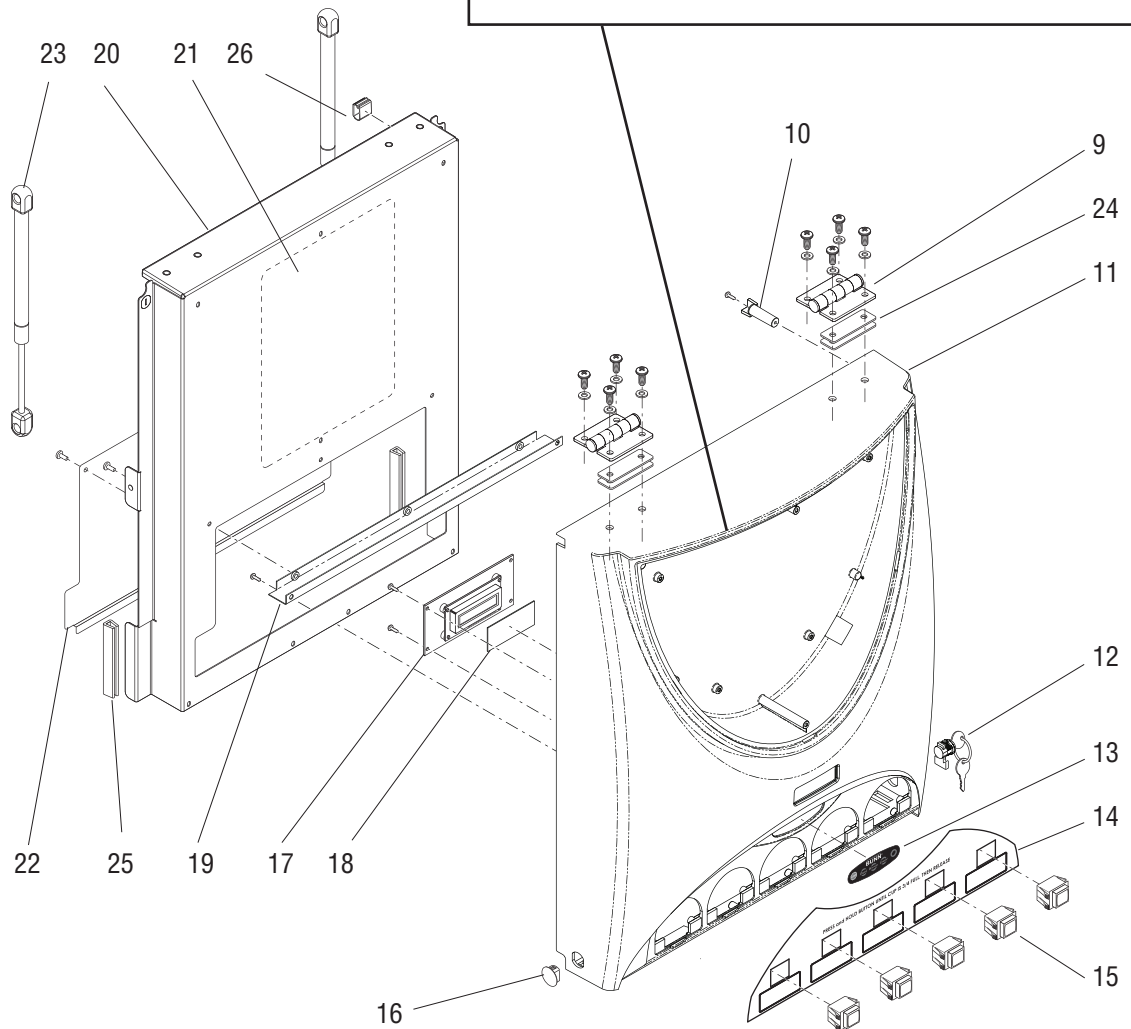
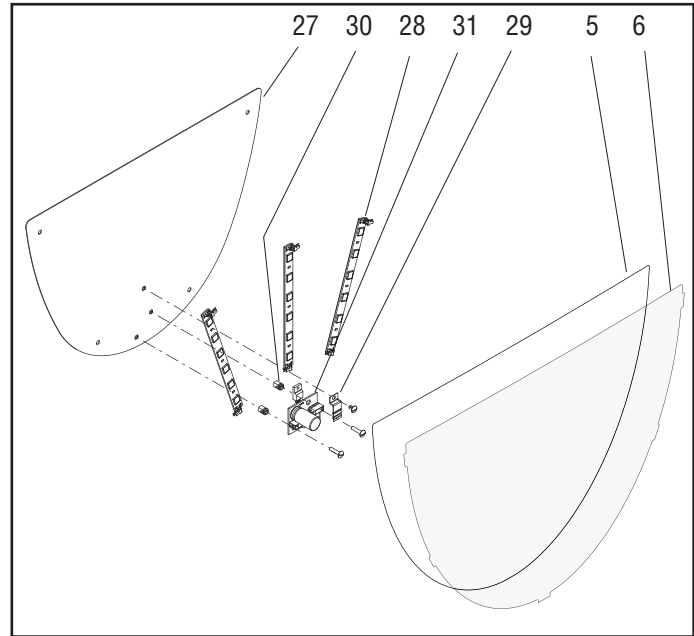


# DOOR, LAMP, DISPENSE SWITCHES AND PANELS (TOP HINGED DOORS)

IMIX®-5S+



Models w/Fluorescent Lighting



P4218.40

**DOOR, LAMP, DISPENSE SWITCHES AND PANELS  
(TOP HINGED DOORS)**

ITEM	PART NO.	QTY.	DESCRIPTION
1	36656.0003 44224.0000	1 4	Panel, Lamp (Doors with Fluorescent Lighting) Screw, Pan Head Plastite #6 x .375"
2	32806.0000	2	Lamp, Fluorescent - 7 Watts (Doors with Fluorescent Lighting)
3	32807.0001	2	Lamp Holder, Fluorescent (Doors with Fluorescent Lighting)
4	36650.0000 02336.0000	1 2	Lens, Fixed Screw, Truss Head #4-40 x .375"
5	36768.0000 36768.0005	1 1	Display, Graphics Display, Iced Coffee Graphics
6	36662.0000 36650.0001	1 1	Lens, Removable (Doors with Fluorescent Lighting) Lens, Removable (Doors with LED Lighting)
7	28335.0000	1	Clip, Ground (Doors with Fluorescent Lighting)
8	40032.0002	1	Bracket (Doors with Fluorescent Lighting)
9	43514.0001 41923.0000 41921.0000	2 8 8	Hinge Screw, Pan Head BLK .25-20 x Washer
10	36244.0000 44224.0000	2 4	Plug, Door Hinge Screw, Pan Head Plastite #6 x .375" TYPE 25
11	37096.0003	1	Door
12	32863.1000 28095.0000	1 1	Keylock W/Keys, Door (Not used on models without door locks) Key Set
13	36231.0000	1	Membrane Switch
14	38923.0001*	1	Plate, Switch
15	28296.0002	5	Switch, Dispense
16	00669.0004	1	Plug, .75" x .625" hole (One additional used on models without door locks)
17	38832.1001 44224.0000	1 4	Circuit Board, Display Screw, Pan Head Plastite #6 x .375"
18	37013.0000	1	Cover, LCD Door Lens
19	36734.0000 44224.0000	1 4	Bracket, Inner Panel Screw, Pan Head Plastite #6 x .375"
20	41564.0001 44224.0000	1 8	Panel, Door - Upper (Includes item 21) Screw, Pan Head Plastite #6 x .375"
21	37254.0003	1	Decal, Cleaning
22	36659.0002 01311.0000 01311.001	1 2 1	Panel, Door - Lower Screw, Truss Head #8-32 x .25" Screw, Truss Head Locking #8-32 x .25"
23	42487.0000	2	Gas Spring
24	44095.0000	4	Shim

(Continued)

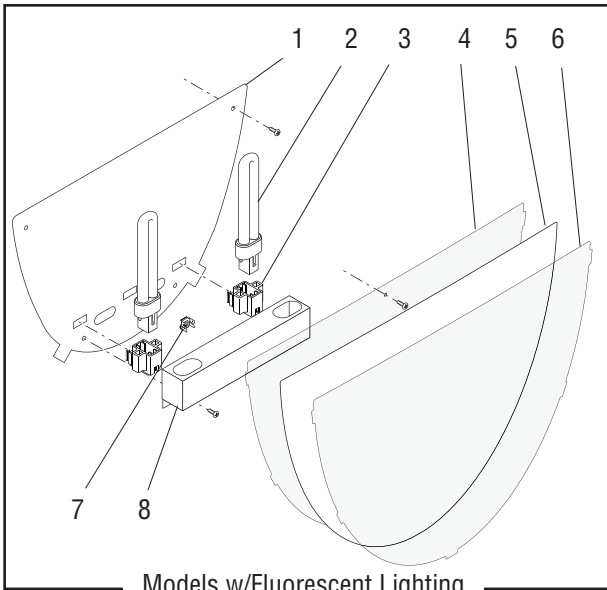
\* Indicates the part number listed is for reference only. See DESCRIPTION for possible service replacement.



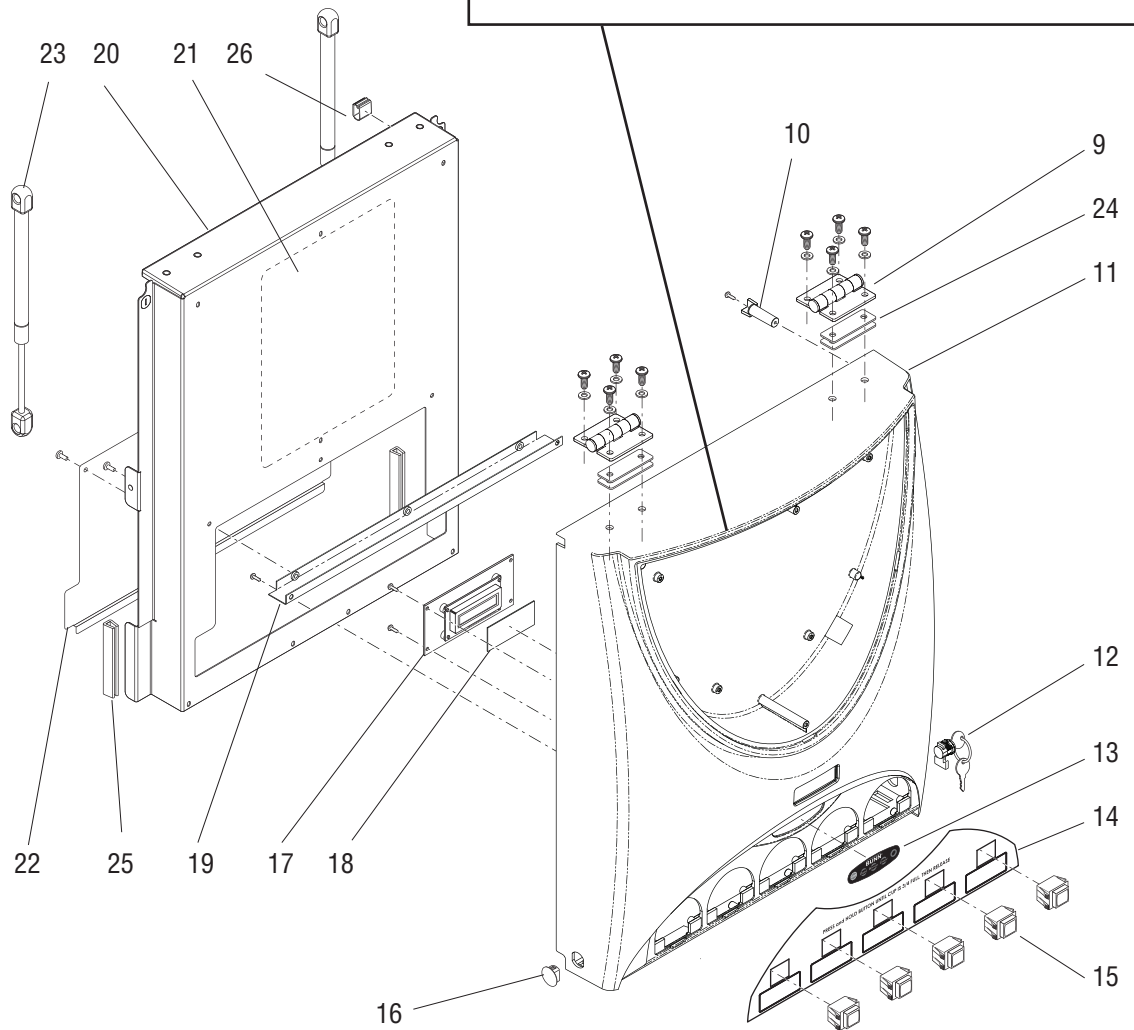
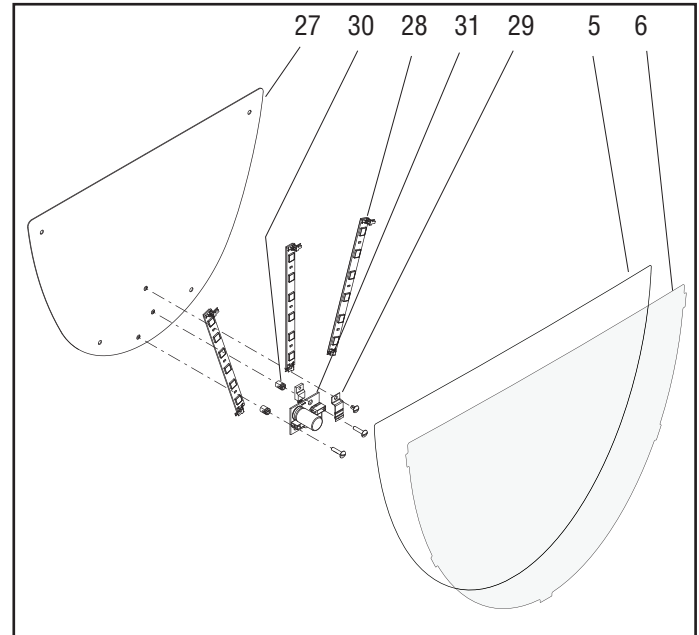
# DOOR, LAMP, DISPENSE SWITCHES AND PANELS (TOP HINGED DOORS)

IMIX®-5S+

(Continued)



Models w/Fluorescent Lighting



P4218.40

**DOOR, LAMP, DISPENSE SWITCHES AND PANELS  
(TOP HINGED DOORS)**

ITEM	PART NO.	QTY.	DESCRIPTION
25	02434.0005*	2	Gasket, U-channel 3.5" (order item 37)
26	35260.0000	2	Cable Mount
27	46324.0001	1	Panel, Lamp (Doors with LED Lighting)
	44224.0000	2	Screw, Pan Head Plastite #6 x .375" TYPE 25
28	42593.0000	3	CBA, 6 LED (Doors with LED Lighting)
29	41244.0000	1	Clip (Doors with LED Lighting)
	01308.0002	1	Screw, Truss Head 6-32 x .25" Lkg
30	29081.0005	2	Spacer
31	48005.0001	1	CBA, Backlight Regulator (Doors with LED Lighting)
	02367.0002	2	Screw, Truss Head 6-32 x .62" Lkg

**The following items are not illustrated**

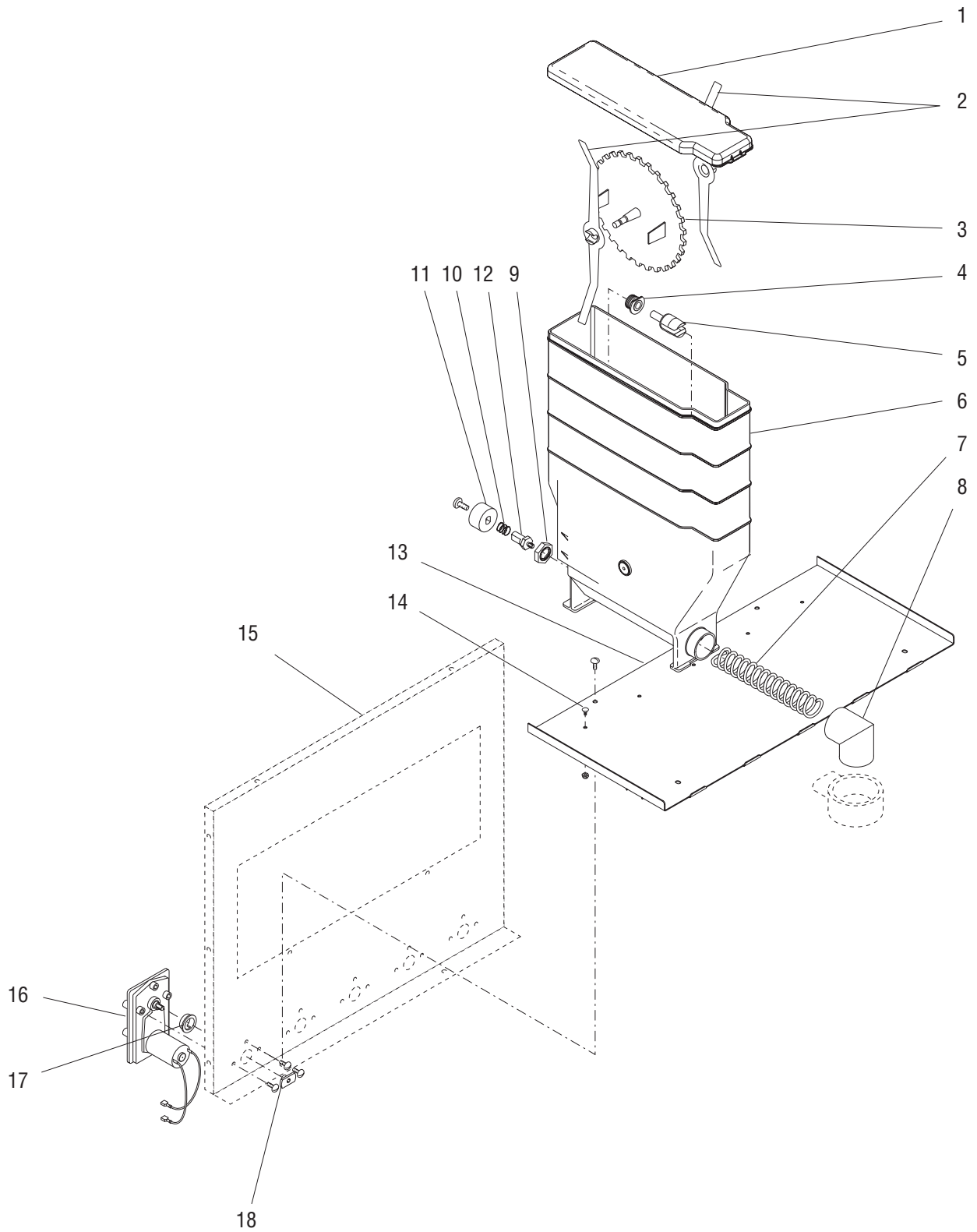
32	00707.0001	2	Bushing, Strain Relief (Doors with Fluorescent Lighting)
	47555.0000	2	Bushing, Strain Relief (Doors with LED Lighting)
33	36888.0002	1	Wiring Harness, Door Interconnect (Doors with Fluorescent Lighting)
	47311.0001	1	Wiring Harness, Door Interconnect (Doors with LED Lighting)
34	36887.0003	1	Wiring Harness, Backlight (Doors with Fluorescent Lighting)
35	26537.0000	1	Decal, Flavors (Almond Amaretto, Cappuccino, French Vanilla, Hazelnut, Hot Chocolate and Raspberry Mocha)
	26537.0001	1	Decal, Flavors (Swiss Mocha, Mocha, Raspberry Vanilla, Irish Creme, Coffee and Original)
	26537.0003	1	Decal, Flavors (White Chocolate, Cinnamon Vanilla Nut, Decaf, Regular, French Vanilla and Hot Chocolate)
	26537.0039*	1	Decal, Iced Coffee Flavors (Espresso Latte, Mocha Latte, Colombian, Dark Roast, Raspberry Coffee, Hazelnut Coffee, French Vanilla Latte, Caramel Latte, Chai Tea Latte, Horchatta)
36	42596.0001	1	Cable Wrap, Door Interconnect Harness
37	02434.1000	-	Gasket, U-Channel - 18" LG
	02434.1001	-	Gasket, U-Channel - 36" LG
41	42609.0000	1	Wiring Harness, LED to CBA (Doors with LED Lighting)
	42609.0001	1	Wiring Harness, LED to LED (Doors with LED Lighting)

\* Indicates the part number listed is for reference only. See DESCRIPTION for possible service replacement.



# AUGER DRIVE AND HOPPER ASSEMBLY

IMIX®-5S+



P3536

## AUGER DRIVE AND HOPPER ASSEMBLY

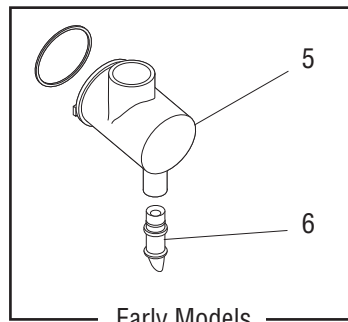
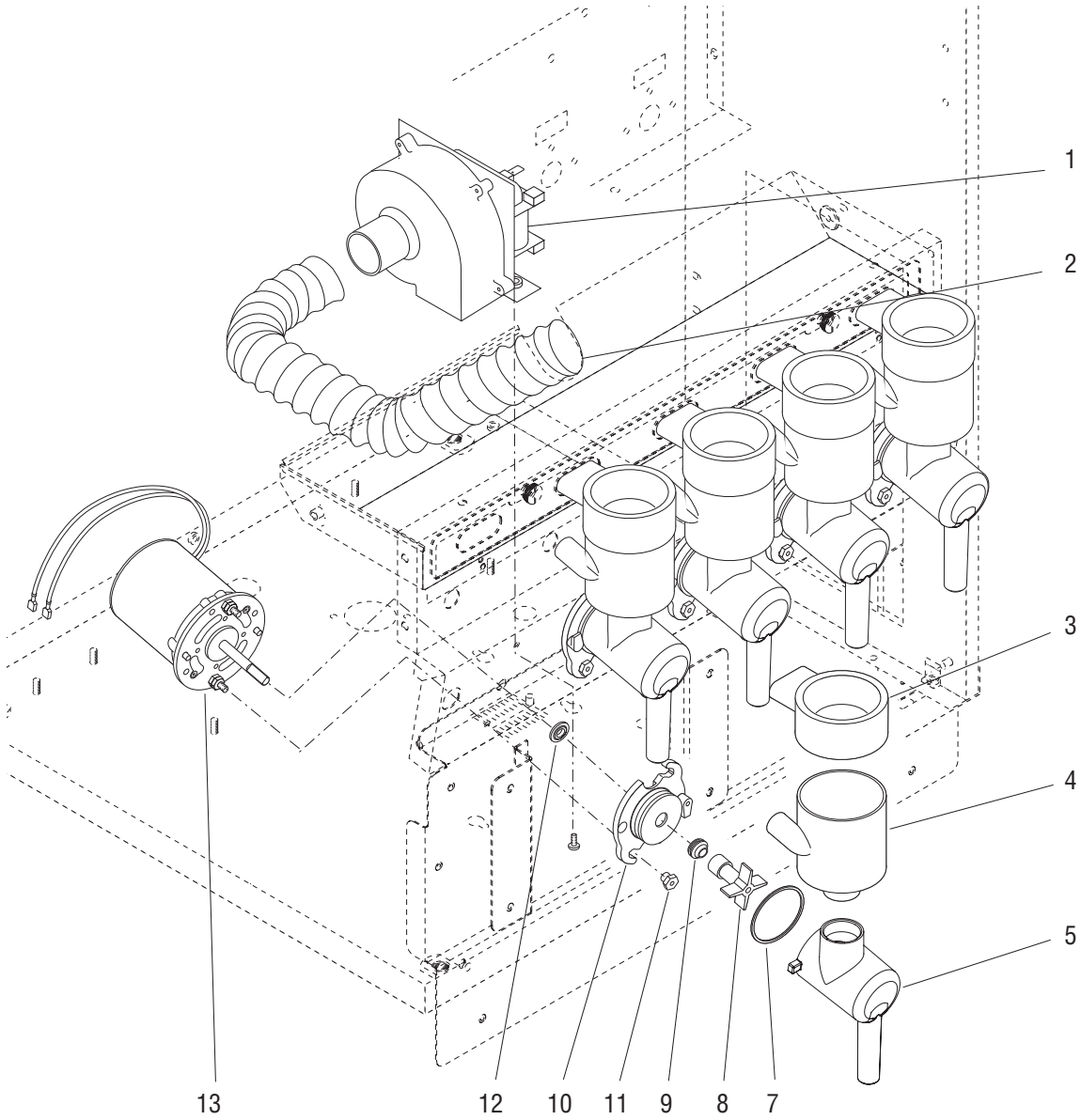
ITEM	PART NO.	QTY.	DESCRIPTION
-	37010.1001	-	Hopper Assy (Includes one each of items 1-12)
1	36653.0001	5	Lid, Hopper
2	32337.0000	10	Mixing Blade
3	32386.0001	5	Disk, Agitator (30 Tooth)
4	28067.0000	5	Bushing, Auger Drive Shaft
5	26940.0002	5	Shaft, Auger Drive
6	37011.0001	5	Hopper
7	39442.0000	5	Auger, Wire (use w/30-tooth Disk)
8	25903.0000	5	Elbow, Ejector
9	25743.0000	5	Locknut
10	36774.0000	5	Spring, Hopper Coupling
11	36770.0000	5	Coupling, Auger Drive
	01326.0002	5	Screw, Truss Head #10-32 x .25"
12	37539.1000	5	Shaft Kit, Auger Drive (Includes 01326.0002 Screw)
13	36766.0000	1	Panel, Hopper Support
	01311.0000	4	Screw, Truss Head #8-32 x .25"
14	20960.0000	5	Screw, Shoulder #6-32 x .375"
	00991.0002	5	Nut, Elastic Lock #6-32
15	-----	-	See COVERS, PANELS & DRIP TRAYS
16	37037.0001	5	Gearmotor Assy, Auger (Each includes items 17 and 18)
	01311.0000	15	Screw, Truss Head #8-32 x .25"
17	26401.0000	1	Dust Seal, Hopper Motor
18	36773.0000	1	Plate, Auger Drive
19	35260.0000	3	Cable Mount, Adhesive (Not Illustrated)

\* Indicates the part number listed is for reference only. See DESCRIPTION for possible service replacement.



# MIXING/WHIPPER CHAMBERS AND DRIVE MOTOR

IMIX®-5S+



P3179.75

## MIXING/WHIPPER CHAMBERS AND DRIVE MOTOR

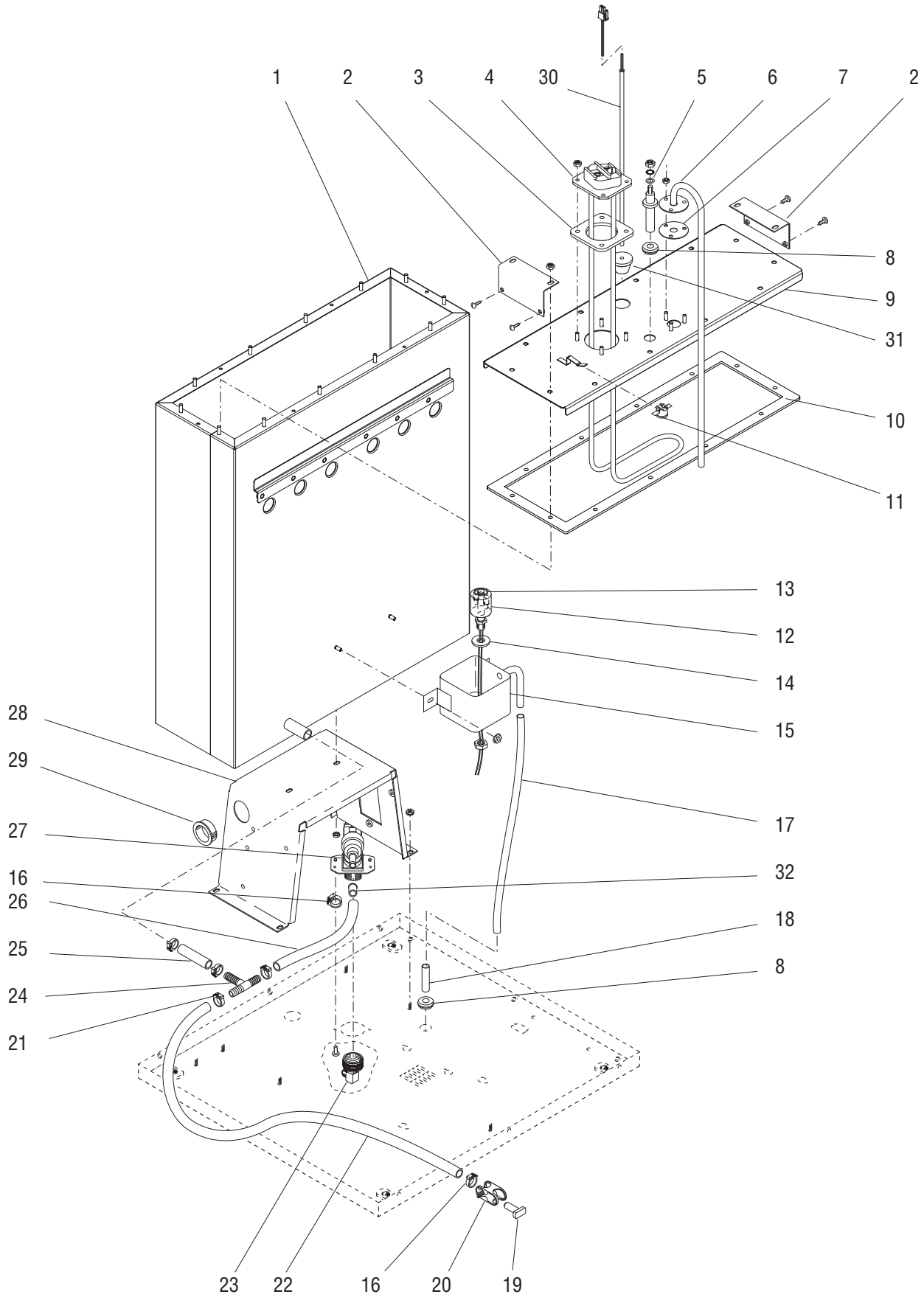
ITEM	PART NO.	QTY.	DESCRIPTION
1	28295.0000	1	Fan & Bracket Assembly 120V
	28295.0001	1	Fan & Bracket Assembly 230V
	01311.0001	2	Screw, Truss Head - Locking #8-32 x .25"
2	28297.0001	1	Hose, Vacuum
3	25732.0000	5	Steam Collector
4	25733.0003	5	Mixing Chamber
5	25734.0007	5	Whipper Chamber
6	25736.0000*	5	Dispense Tip - Drink (0.34" ID) (Early Models)(Early Models. Order item 5)
	28864.0004*	5	Dispense Tip - Soup (0.40" ID) (Early Models)(Early Models. Order item 5)
7	24733.0010	5	O-Ring
8	25902.0000	5	Frother
9	26356.0000	5	Seal, Shaft
	26356.1000	-	Kit, Shaft Seal (Includes 6 Seals)
10	28866.0000	5	Receptacle, Whipper Chamber
11	28865.0000	10	Nut, Whipper Motor/Receptacle Mounting
12	28867.0000	5	Slinger
13	28428.1000	5	Motor, Whipper 120V
	28428.1002	5	Motor, Whipper 230V
14	32906.0001	-	Kit, Preventive Maintenance (Includes items 3 thru 10 and 25903.0000 Elbow)

\* Indicates the part number listed is for reference only. See DESCRIPTION for possible service replacement.



# TANK, HEATER AND OVERFLOW PROTECTION

IMIX®-5S+



P3637

## TANK, HEATER AND OVERFLOW PROTECTION

ITEM	PART NO.	QTY.	DESCRIPTION
1	39133.0000*	1	Tank (With copper overflow cup)
	39133.1001	1	Tank (With aluminum overflow cup)
	00970.0000	2	Nut, Keps #8-32
2	36226.0000	2	Bracket, Tank Mounting Upper
	00908.0000	4	Nut #8-32
	01311.0001	4	Screw, Truss Head - Locking #8-32 x .25"
3	12398.0000	1	Gasket, Tank Heater
4	36741.1000	1	Tank Heater Kit, 1700W 120V (Includes item 3)
	36741.1005	1	Tank Heater Kit, 1200W 120V (Includes item 3)
	36740.1000	1	Tank Heater Kit, 3500W 240V (Includes item 3)
	00908.0000	4	Nut, Hex #8-32
5	20936.1000	1	Probe Kit (Includes items indented below)
	20203.0100	1	Lock Washer, Internal Tooth #8
	01501.0000	1	Washer, Flat .164" ID x .375" OD
	00908.0000	1	Nut, #8-32
6	36220.0000	1	Tube, Overflow
	00908.0000	3	Nut, Hex #8-32
7	05515.0000	1	Gasket, Overflow Tube
8	02536.0000	2	Grommet, .375" I.D.
9	35940.0003	1	Lid, Tank (Early Models)
	46223.0000	1	Lid, Tank (Late Models)
	00908.0000	8	Nut, Hex #8-32
10	35937.0000	1	Gasket, Rounded Tank Lid (Early Models)
	35937.0002	1	Gasket, Squared Tank Lid (Early Models)
	35937.0002	1	Gasket, Squared Tank Lid (Late Models)
11	29329.1000	1	Thermostat, Limit
12	03803.0002	1	Switch Assy, Liquid Level (Includes items 13 & 14)
	00946.0000	1	Nut, Hex .125" FPT
13	03807.0000	1	Clip, Spring
14	03633.0000	1	Gasket, Float Switch
15	22728.0000	1	Overflow Cup (Copper)
	00970.0000	2	Nut, Keps #8-32
	41259.1003	1	Overflow Cup (Aluminum)
	41266.0000	1	Film
	41280.0001	1	Elbow
	04797.0000	1	Washer
16	12422.0001	2	Clamp, Hose .59"/.66" ID
17	28526.0028*	1	Tube, Silicone .312" ID x 9.5" (Order item 34)
18	21801.0015	1	Tube .375" O.D. x 1.50" LG
19	34392.0000	1	Plug, Hose .375" ID

(continued)

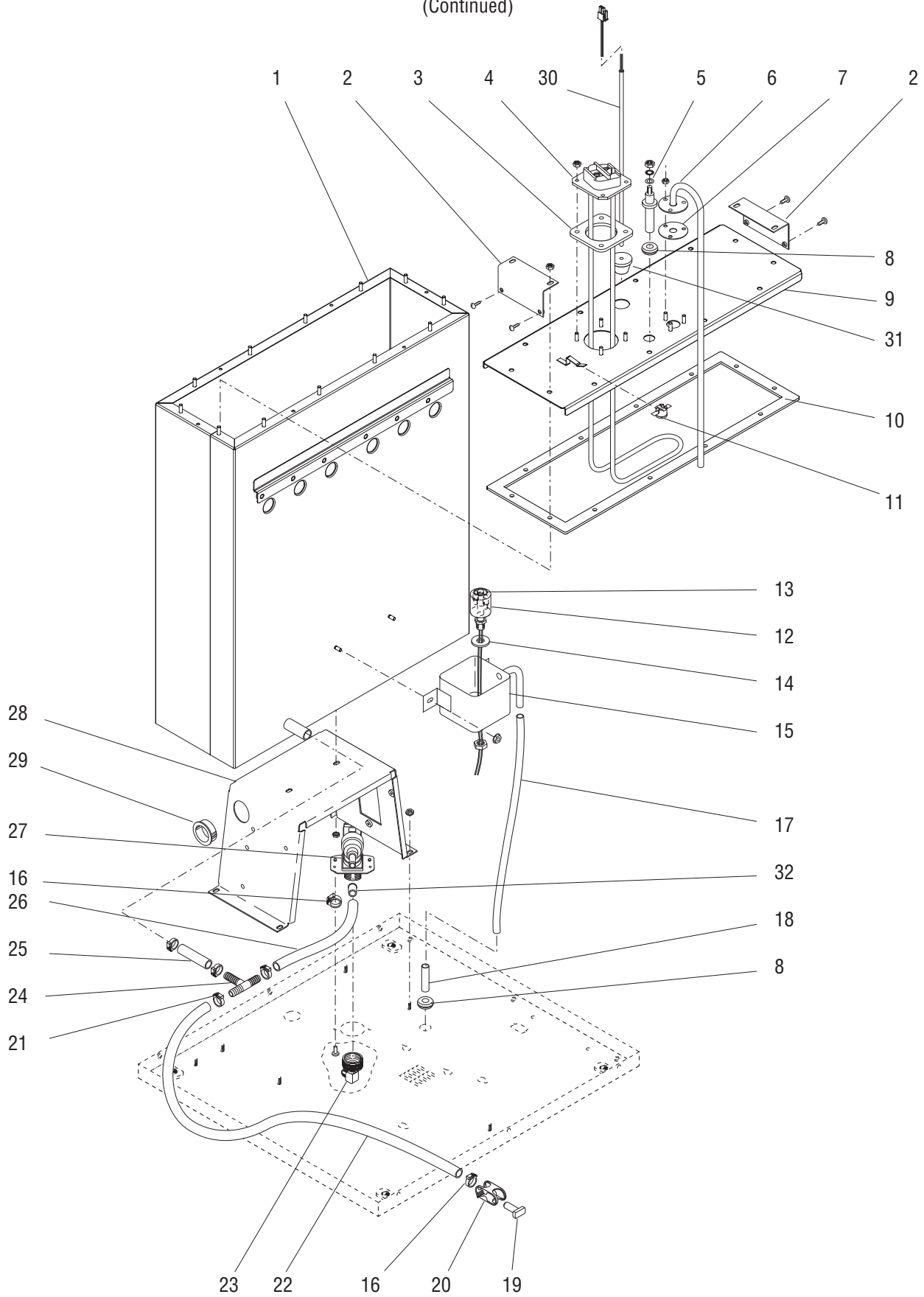
\* Indicates the part number listed is for reference only. See DESCRIPTION for possible service replacement.



# TANK, HEATER AND OVERFLOW PROTECTION

IMIX®-5S+

(Continued)



P3637

## TANK, HEATER AND OVERFLOW PROTECTION

ITEM	PART NO.	QTY.	DESCRIPTION
20	11630.0002	1	Clamp Shut Off, Tube
21	<a href="#">12422.0005</a>	4	Clamp, Hose .62"/.71" ID
22	20976.0056*	1	Tube, Silicone .375" ID x 28.0" (Order item 35)
23	<a href="#">37297.0006</a>	1	Elbow .25" Flare x .75" FTHRD
24	38948.0000	1	Tee .50" Barb
25	20976.0017*	1	Tube, Silicone .375" ID x 2.0" (Order item 35)
26	20976.0055*	1	Tube, Silicone .375" ID x 9.0" (Order item 35)
27	36233.1000	1	Valve, Water Inlet 120V (See item 38)
	<a href="#">36233.0001</a>	1	Valve, Water Inlet 230V (See item 38)
	<a href="#">32283.0000</a>	2	Screw, Pan Head M4 x 6MM
28	35942.0000*	1	Bracket, Tank Mounting Lower
	<a href="#">00970.0000</a>	4	Nut, Keps #8-32
29	<a href="#">01592.0001</a>	1	Bushing, Snap 1.188" dia.
30	28891.1008	1	Probe, Temp./Dry Plug
31	<a href="#">33801.0003</a>	1	Grommet
32	<a href="#">36378.0001</a>	1	Valve, Check 2.5 psi
33	36222.0000*	1	Insulation, Tank
34	<a href="#">28526.1000</a>	-	Tube, Silicone .312" ID x .562" OD x 12"
	<a href="#">28526.1001</a>	-	Tube, Silicone .312" ID x .562" OD x 36"
	<a href="#">28526.1002</a>	-	Tube, Silicone .312" ID x .562" OD x 60"
	<a href="#">28526.1003</a>	-	Tube, Silicone .312" ID x .562" OD x 120"
35	<a href="#">20976.1000</a>	-	Tube, Silicone, .375" ID x .50" OD x 12.0"
	<a href="#">20976.1001</a>	-	Tube, Silicone, .375" ID x .50" OD x 36.0"
	<a href="#">20976.1002</a>	-	Tube, Silicone, .375" ID x .50" OD x 120.0"
36	<a href="#">35946.0000</a>	1	Baffle
37	<a href="#">34572.0000</a>	2	Panel, Baffle Insert
	<a href="#">34765.0000</a>	4	Nut, Flanged #10-32
38	<a href="#">43644.0000</a>	-	Kit, Valve Rebuild

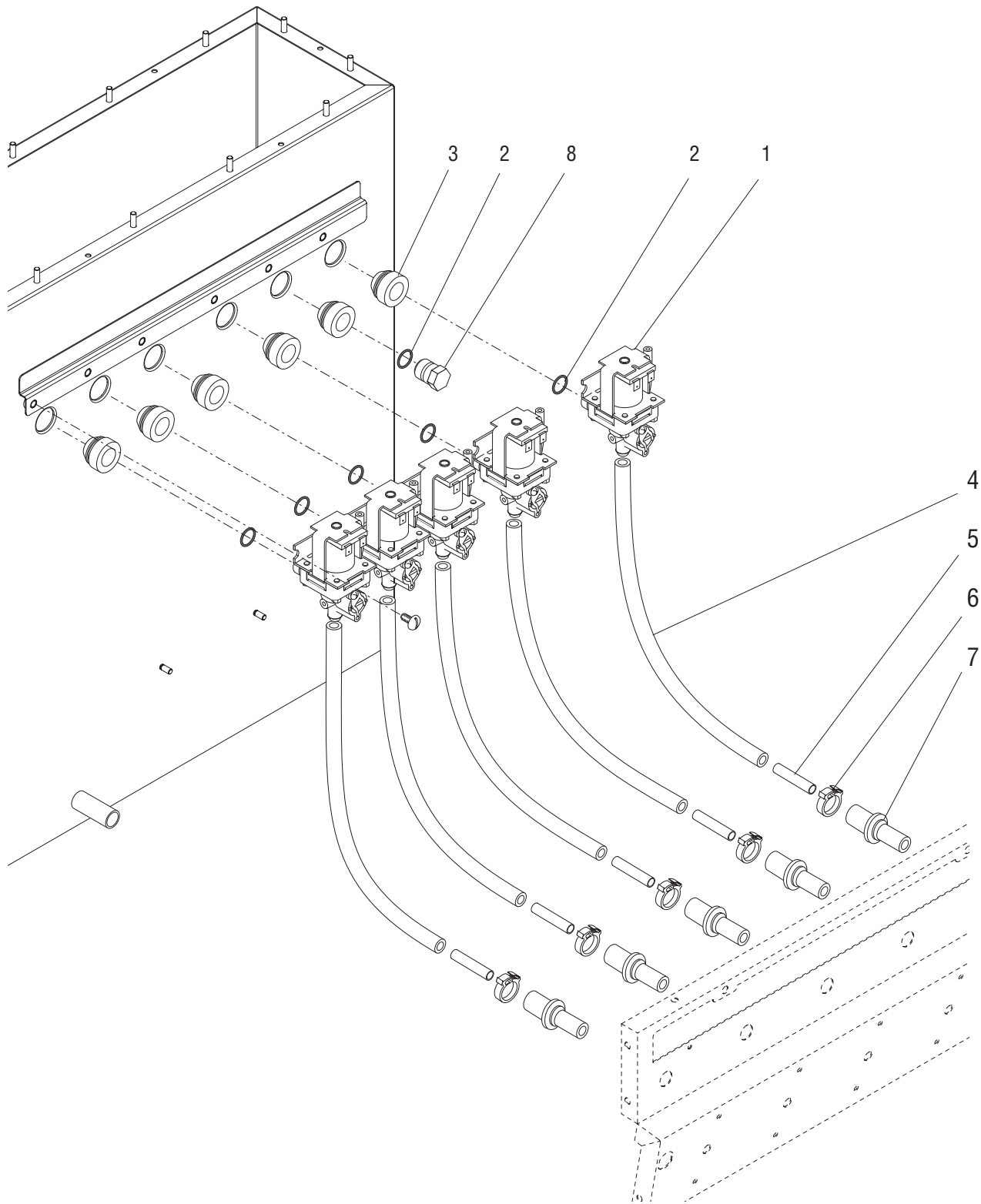
Not Illustrated

\* Indicates the part number listed is for reference only. See DESCRIPTION for possible service replacement.



# DISPENSE VALVES AND LINES

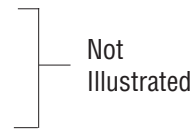
IMIX®-5S+



P3538

## DISPENSE VALVES AND LINES

ITEM	PART NO.	QTY.	DESCRIPTION
1	39285.1001	5	Valve, Liquid Dispense 120V (Includes item 2)
	39285.1002	5	Valve, Liquid Dispense 230V (Includes item 2)
	01326.0000	5	Screw, Truss Head #10-32 x .25"
2	24733.0011	6	O-Ring
3	37970.0000	6	Grommet, Valve Mounting
4	28526.0027*	5	Tube, Silicone .312" ID x 16.5" (Order item 9)
5	21801.0015	5	Tube .375" OD x 1.50"
6	12422.0001	5	Clamp, Hose .59"/.66" ID
7	25803.0000	5	Water Inlet, Mixing Chamber
8	26369.1000	1	Plug Assy. (Includes item 2)
9	28526.1001	-	Tube, Silicone .312" I.D. x .438" O.D. x 36"
	28526.1002	-	Tube, Silicone .312" I.D. x .438" O.D. x 60"
	28526.1003	-	Tube, Silicone .312" I.D. x .438" O.D. x 120"
10	45965.1000	-	Repair Kit, Dispense Valve (Includes Spring, Flow Control, O-rings, and Diaphragm)

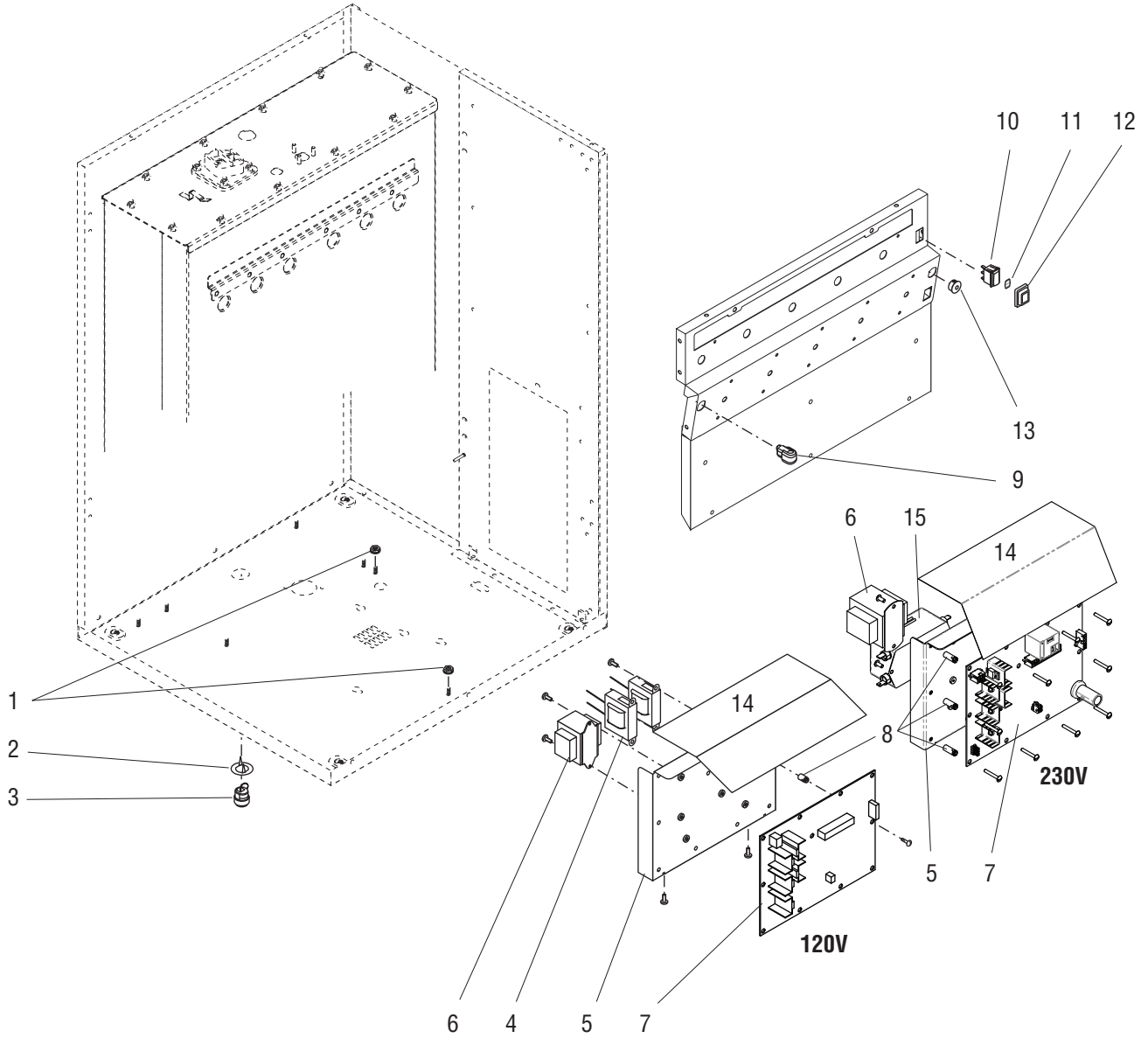

  
 Not  
 Illustrated

\* Indicates the part number listed is for reference only. See DESCRIPTION for possible service replacement.



# ELECTRICAL CONTROLS

IMIX®-5S+



## ELECTRICAL CONTROLS

ITEM	PART NO.	QTY.	DESCRIPTION
1	00970.0000	2	Nut, Keps #8-32 - Power Cord Ground
3	01686.0000	1	Bushing, Strain Relief
4	28327.0002	2	Ballast 120V
	39642.0000	2	Ballast 230V
	01382.0000	4	Screw, Truss Head #6-32 x .38"
5	38853.0000	1	Bracket
	01311.0001	2	Screw, Locking #8-32 x .25"
6	34829.0001	1	Transformer 120V
	34829.0002	1	Transformer 230V
	01382.0000	2	Screw, Truss Head #6-32 x .38"
7	40280.1000	1	Control Board 120V
	55312.1000	1	Control Board 230V CE
	01382.0008	11	Screw, Truss Head #6-32 x 1.00"
8	29081.0004	11	Spacer
9	26444.0000	1	Bushing, Strain Relief
10	27437.0002	1	Switch, Normal/Program/Rinse
11	37192.0000	1	Decal, Normal/Program/Rinse
12	34390.0000	1	Cap, Switch
13	00669.0005	1	Plug
14	46640.0000	1	Drip Shield
15	36801.0001	1	EMI Filter
	01382.0000	2	Screw, Truss Head #6-32 x .38"

**The following items are not illustrated**

15	20630.0008	1	Power Cord
16	38941.0000	1	Wiring Harness, Switches
17	38942.0000	1	Wiring Harness, Auger Motors
18	36888.0000	1	Wiring Harness, Door Interconnect
19	38940.0005	1	Wiring Harness, Main 120V (Doors with Fluorescent Lighting)
	38940.0025	1	Wiring Harness, Main 120V (Doors with LED Lighting)
	38940.0007	1	Wiring Harness, Main 230V (Doors with Fluorescent Lighting)
	00908.0000	1	Nut, Hex #8-32 (Harness Grounding)
	01511.0000	1	Lock Washer, External-tooth #8
20	46293.0001	1	Wiring Harness, Transformer (Doors with LED Lighting)

\* Indicates the part number listed is for reference only. See DESCRIPTION for possible service replacement.

NUMERICAL INDEX

PART NO.	PAGE NO.	PART NO.	PAGE NO.	PART NO.	PAGE NO.	PART NO.	PAGE NO.
00656.0001	7	20976.0017	23	29081.0005	11,15	36644.0000	5
00619.0002	7	20976.0055	23	29329.1000	21	36644.0001	5
00669.0004	9,13	20976.0056	23	32283.0000	23	36647.0000	9
00669.0005	5,27	20976.1000	23	32337.0000	17	36647.0001	9
00707.0001	15	20976.1001	23	32386.0001	17	36648.0000	5
00713.0000	27	20976.1002	23	32806.0000	9,13	36650.0000	9,13
00715.0000	27	21436.0000	7	32807.0001	9,13	36650.0001	9,13
00824.0002	7	21801.0015	21,25	32863.1000	9,13	36653.0001	17
00831.0000	7	22728.0000	21	32906.0001	19	36656.0001	9
00908.0000	21,27	24457.0002	9	33801.0003	23	36656.0003	13
00946.0000	21	24733.0010	19	34362.0000	9	36658.0000	9
00970.0000	21,23,27	24733.0011	25	34390.0000	27	36659.0000	11
00991.0002	17	25732.0000	19	34392.0000	21	36659.0002	11,13
01308.0002	11,15	25733.0003	19	34572.0000	23	36661.0000	9
01311.0000	5,7,9,11,17	25734.0002	19	34666.0000	5	36661.0002	9
01311.0001	5,7,9,11	25734.1000	19	34667.0000	11	36662.0000	9,13
01311.0001	13,19,21,27	25736.0000	19	34765.0000	23	36667.1000	9
01311.0003	5,7	25743.0000	17	34829.0001	27	36667.1002	9
01317.0003	5	25803.0000	25	34829.0002	27	36669.0000	11
01326.0000	25	25902.0000	19	34998.0000	5	36670.0000	7
01326.0002	17	25903.0000	17	35260.0000	15,17	36734.0000	9,13
01360.0002	9,11,15	26356.0000	19	35912.0001	5	36739.0000	7
01382.0000	27	26356.1000	19	35915.1001	5	36740.1000	21
01382.0002	5	26369.1000	25	35916.1001	5	36741.1000	21
01382.0008	27	26401.0000	17	35924.0000	7	36741.1005	21
01403.0000	11	26444.0000	11,27	35925.1001	7	36742.0000	7
01501.0000	21	26528.0000	7	35926.0000	5	36743.0000	7
01509.0001	5	26537.0000	11,15	35927.0002	5	36743.0001	5
01511.0000	27	26537.0001	11,15	35927.0006	5	36766.0000	17
01526.0001	7	26537.0003	11,15	35929.0000	5	36768.0000	9,13
01592.0001	23	26537.0039	11,15	35929.0004	5	36768.0005	9,13
02336.0000	5	26940.0002	17	35937.0000	21	36770.0000	17
02336.0000	7,9,11,13	27437.0002	27	35937.0002	21	36773.0000	17
02367.0002	11,15	28067.0000	17	35940.0003	21	36774.0000	17
02434.0005	15	28095.0000	9,13	35942.0000	23	36801.0001	27
02434.0008	7	28295.0000	19	35946.0000	23	36887.0001	11
02434.0018	7	28295.0001	19	36149.0000	9	36887.0003	15
02434.1000	7,15	28296.0002	9,13	36220.0000	21	36888.0000	11,27
02434.1001	7,15	28297.0001	19	36222.0000	23	36888.0002	15
02536.0000	5,17	28327.0002	27	36224.1002	7	36896.0000	7
03633.0000	21	28335.0000	13	36226.0000	21	37010.1001	17
03803.0002	21	28328.0010	5	36229.0002	7	37011.0001	17
03807.0000	21	28428.1000	19	36229.0003	7	37013.0000	9,13
03996.0000	7	28428.1002	19	36230.0002	5	37037.0001	17
04797.0000	21	28526.0027	25	36230.0003	5	37065.0000	7
05515.0000	21	28526.0028	21	36231.0000	9,13	37096.0000	9
11630.0002	21	28526.1000	23	36232.0000	5	37096.0003	13
12398.0000	21	28526.1001	23,25	36233.0001	23	37180.1000	5
12422.0001	21,25	28526.1002	23,25	36233.1000	23	37192.0000	27
12422.0005	21	28526.1003	23,25	36235.0000	5	37254.0003	9,13
13255.0003	7	28864.0004	19	36235.0002	5	37297.0006	23
20203.0100	21	28865.0000	19	36240.0001	7	37539.1000	17
20630.0008	27	28866.0000	19	36244.0000	9,13	37881.0000	7
20936.1000	21	28867.0000	19	36378.0001	23	37970.0000	25
20960.0000	17	29081.0004	27	36398.0000	7	37988.0000	5

NUMERICAL INDEX

PART NO.	PAGE NO.	PART NO.	PAGE NO.	PART NO.	PAGE NO.	PART NO.	PAGE NO.
38345.0000	7						
38832.1001	9,13						
38853.0000	27						
38923.0001	13						
38935.0000	5						
38940.0005	27						
38940.0006	27						
38940.0025	27						
38941.0000	27						
38942.0000	27						
38948.0000	23						
38986.0000	7						
38986.0001	7						
38986.0013	7						
39038.0000	11						
39046.0000	9						
39085.0002	23						
39133.0000	21						
39133.1001	21						
39285.1001	25						
39285.1002	25						
39442.0000	17						
39642.0000	27						
40001.1000	11						
40031.1000	11						
40031.1001	11						
40032.0002	11						
40280.1000	27						
41244.0000	11,15						
41259.1003	21						
41266.0000	21						
41280.0001	21						
41564.0001	13						
41921.0000	13						
41923.0000	13						
42487.0000	13						
42593.0000	11,15						
42596.0001	15						
42598.1001	5						
42609.0000	11,15						
42609.0001	11,15						
43514.0001	13						
43644.0000	23						
44095.0000	13						
44224.0000	5,7,13						
45965.1000	25						
46293.0001	27						
46324.0001	11,15						
46640.0000	27						
47311.0001	11,15						
47555.0000	11,15						
48005.0001	11,15						
55312.1000	27						