

Century Series Air Pot Brewers



MODEL NOS.

**APT18G, APT18G/WT, APT35G, APT35G/WT
(APT100G, APT100G/WT - TWIN BREWER)
(APT35GX, APT35GX/WT - EXPORT)**

SPECIAL FEATURES:

- ◆ PUSH BUTTON CONTROL WITH BREW LIGHT INDICATOR
- ◆ PRECISION THERMOSTAT FOR ACCURATE BREW TEMPERATURE CONTROLS
- ◆ PRECISION SOLID-STATE TIMER WITH HIGH REPEAT ACCURACY
- ◆ HIGH LIMIT CONTROL AUTOMATICALLY TURNS OFF HEATER IF BREWER RUNS DRY OR OVERHEATS

OPTIONAL HOT WATER TAP (WT MODELS) FOR HOT CHOCOLATE, SOUP, TEA, ETC.

Cecilware sells value... Worldwide

Cecilware Corporation

43-05 20th Avenue, Long Island City, NY 11105

Voice 800-935-2211

Fax 718-932-7860



Century Series Air Pot Brewers

SPECIFICATIONS AND OPERATION MANUAL

Model Nos.

**APT18G, APT18G/WT, APT35G, APT35G/WT
(APT100G, APT100G/WT – TWIN BREWER)
(APT35GX, APT35GX/WT - EXPORT)**

Electrical Specifications:

| Model No. | Volts | Phase | Hz. | Watts | Amps | Receptacle Nema No. | Circuit Breaker |
|------------|---------|-------|-------|--------|------|---------------------|-----------------|
| APT18G | 120 | 1 | 50/60 | 1.8 Kw | 15 | 5-15R | 15 |
| APT18G/WT | 120 | 1 | 50/60 | 1.8 Kw | 15 | 5-15R | 15 |
| APT35G | 240 | 1 | 50/60 | 3.5 Kw | 20 | 6-20R | 20 |
| APT35G/WT | 240 | 1 | 50/60 | 3.5 Kw | 20 | 6-20R | 20 |
| APT35GX | 220 | 1 | 50/60 | 2.4 Kw | 11 | ---- | 15 |
| APT35GX/WT | 220 | 1 | 50/60 | 2.4 Kw | 11 | ---- | 15 |
| APT100G | 120/240 | 1 | 50/60 | 6.4 Kw | 27 | L14-30R | 30 |
| APT100G/WT | 120/240 | 1 | 50/60 | 6.4Kw | 27 | L14-30R | 30 |

Line cord included. "X" models for export.

NOTES: APT100 Model includes twist lock plug wired for 4 wire 120/240V including Neutral and Ground.

(120V Models – available on special order and requires a 15amp circuit breaker.)

Water Connections: ¼" flared water inlet fitting and flare nuts for ¼" o.d. copper tubing with a minimum water pressure of 20 p.s.i.

| MODEL | Width Inches (cm.) | Depth Inches (cm.) | Height Inches (cm.) |
|----------|--------------------|--------------------|---------------------|
| APT18/35 | 8 (20.3) | 18 (45.7) | 25 1/4 (64.1) |
| APT100 | 17 (43.2) | 18 (45.7) | 25 1/4 (64.1) |

INSTALLATION AND START-UP INSTRUCTIONS FOR AIR POT BREWER

Not Included with this Brewer unless ordered separately

2.2 liter Air Pot, Part No. V223A

Things to note when Brewing Coffee

- This brewer is set for 2.2 liter capacity Air Pot.
- Volume can be easily be adjusted for 1.9 liter or 2.5 liter Air Pots.

WATER HOOK-UP (Check Local Plumbing Codes)

The National Sanitation Foundation (NSF®) requires the following for an NSF approved hook-up:

1. A quick disconnect water connection or enough extra coiled tubing (at least 2x the depth of the unit) so that it can be moved to clean underneath.
2. An approved back flow prevention device, such as a double check valve, must installed between brewer and water supply.

Water Connection:

APT Brewers are supplied with 1/4" flared water inlet fittings and flare nuts.

Use a 1/4" diameter copper tubing to connect brewer to a cold water supply line with a minimum water pressure of 20 p.s.i.

HIGHLY RECOMMENDED: An external water supply shut-off valve near the brewer and a water purifier filter for better tasting fresh brewed tea and coffee beverage.

Electrical Connection:

APT18 - 120 volt, 1.8 kw - Brewers require a single use (dedicated) 15 amp grounded receptacle.

APT35 - 240 volt, 3.5 kw - Brewers require a single use (dedicated) 20 amp grounded receptacle.

APT100 - 120/240 volt, 6.4 kw - Brewers require a single use (dedicated) 30 amp twist lock grounded receptacle.

TANK PRIMING PROCEDURES

THESE INSTRUCTIONS ARE FOR INITIAL PRIMING ONLY AND DO NOT HAVE TO BE REPEATED FOR NORMAL OPERATION.

NOTE: The *Heater toggle switch*, located in back of unit, **or** under the top cover, must be in the **OFF POSITION.**

1. Remove sample filter pack from brew funnel and insert brew funnel back into machine.
2. Place an empty Air Pot directly under brew funnel.
3. Plug the power cord into a proper receptacle.
4. Activate the **RED Power Switch**. The tank will start filling automatically. Allow approximately 4-5 minutes for the tank to fill.
5. After the water tank is filled, **activate** the **Heater Switch ON POSITION**. Allow approximately 15-20 minutes for the water to reach a brew temperature (197°F). The heat up time will depend on the water inlet temperature, the input voltage and the wattage of the elements in the machine.
When the **(Green) Ready** Light comes on the machine is ready to start brewing.
6. Press Brew Button:

BREWING INSTRUCTIONS FOR COFFEE

1. Place a paper filter into brew funnel and add 2.5 oz. of fresh ground coffee into the filter. Place the funnel back into brew head of machine.
2. Unlock the Air Pot Cover and remove the Pump Assembly from the Air Pot.
3. Place the Air Pot with cover open on the support shelf under the funnel.
4. When the Green READY light inside the Brew Switch comes on, depress the Brew Switch.
Note: Allow 5 to 6 minutes for the complete brew cycle. DO NOT remove funnel from the brewer until it has completely stopped dripping
6. Remove AIR POT from the brewer, **insert the air pump tube**, and snap the top closed.
7. Serve fresh brewed coffee from dispenser nozzle by pushing down the round large button on top of the cover.

ADJUSTMENTS:

Timer Adjustments (To adjust total volume of COFFEE)

1. Turn the Power Switch to OFF and remove the top cover.
2. Locate BREW TIMER and adjust as follows:
 - A. For MORE volume, turn TIMER KNOB CLOCKWISE.
 - B. For LESS volume, turn TIMER KNOB COUNTERCLOCKWISE.
 - C. Go through a complete brew cycle and repeat adjustments if necessary.

CAUTION: Turn TIMER KNOB only in SMALL increments at a time.

Thermostat Adjustments

Thermostat is factory set for proper operating temperature of 197°F to 203°F with the adjustment Knob set to the maximum clockwise position. If field adjustments are needed proceed as follows:

To DECREASE temperature, **turn the control shaft** slightly to the left **COUNTERCLOCKWISE**.

To INCREASE temperature, proceed as follows: With the control knob ALREADY TURNED TO ITS MAXIMUM CLOCKWISE POSITION, locate the small, slotted ADJUSTMENT SCREW inside the hollow shaft. By using a narrow blade screwdriver **engage the slotted adjustment screw and turn it an 1/8 of a turn slowly to the left (counterclockwise)** until a click is heard and the Green Ready Light goes OFF.

NOTE: Measure the water temperature at the head with the spray head removed in order to capture a solid stream of hot water. DO NOT forget to REPLACE spray head afterwards.

In HIGH ALTITUDE locations, (5000 ft. above sea level) the thermostat setting will have to be lowered to prevent boiling.

MAINTENANCE TIPS.

1. Remove and clean spray head at least once a week. In hard water areas, inspect and clean every other day.
2. If excessive build up of lime is present, de-lime or replace the heating tank.

CLEANING INSTRUCTIONS

Use a mild dishwashing detergent to clean the STAINLESS STEEL, PLASTIC BREW FUNNELS and AIR POTS. Rinse thoroughly. Clean and Polish the outer surfaces of the STAINLESS STEEL AIR POTS and BREWER with a STAINLESS STEEL CLEANER & POLISH such as the 3M™ Stainless Steel Cleaner & Polish, which is U.S.D.A. approved.

TROUBLESHOOTING GUIDE.

Brewing Problems.

Weak Coffee

1. Low water Temperature ----- Adjust thermostat, should be between 197°F - 203°F
2. Spray Head clogged ----- Remove and clean weekly or as needed
3. Too Coarse Coffee Grind ----- Should be Drip Grind type
4. Not enough Coffee ----- Use a minimum of 2 oz. Of coffee

No water from Spray head when brew switch is depressed.

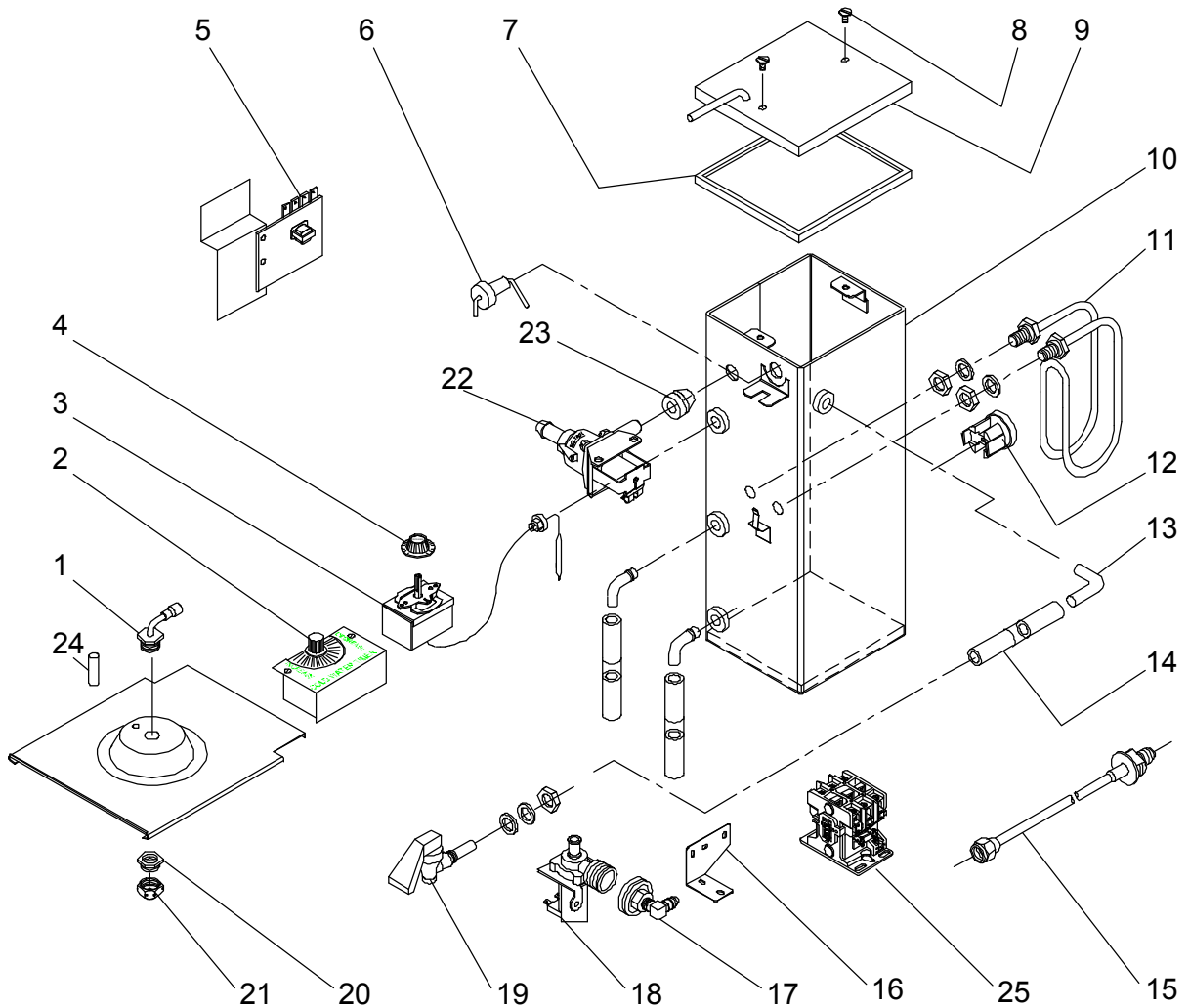
Note: Allow 30 seconds for time delay.

1. Power Switch is off or unit is unplugged.
2. Water Supply is off
3. Hot Water Tank is not full
4. Defective water inlet valve or dispense valve
5. Defective brew switch
6. Defective timer
7. Inlet filter Clogged

Water from spray head not hot.

1. Heater switch is off
2. Thermostat is off or defective.
3. High limit switch has tripped and does not reset – replace high limit switch
3. Tank heater is defective

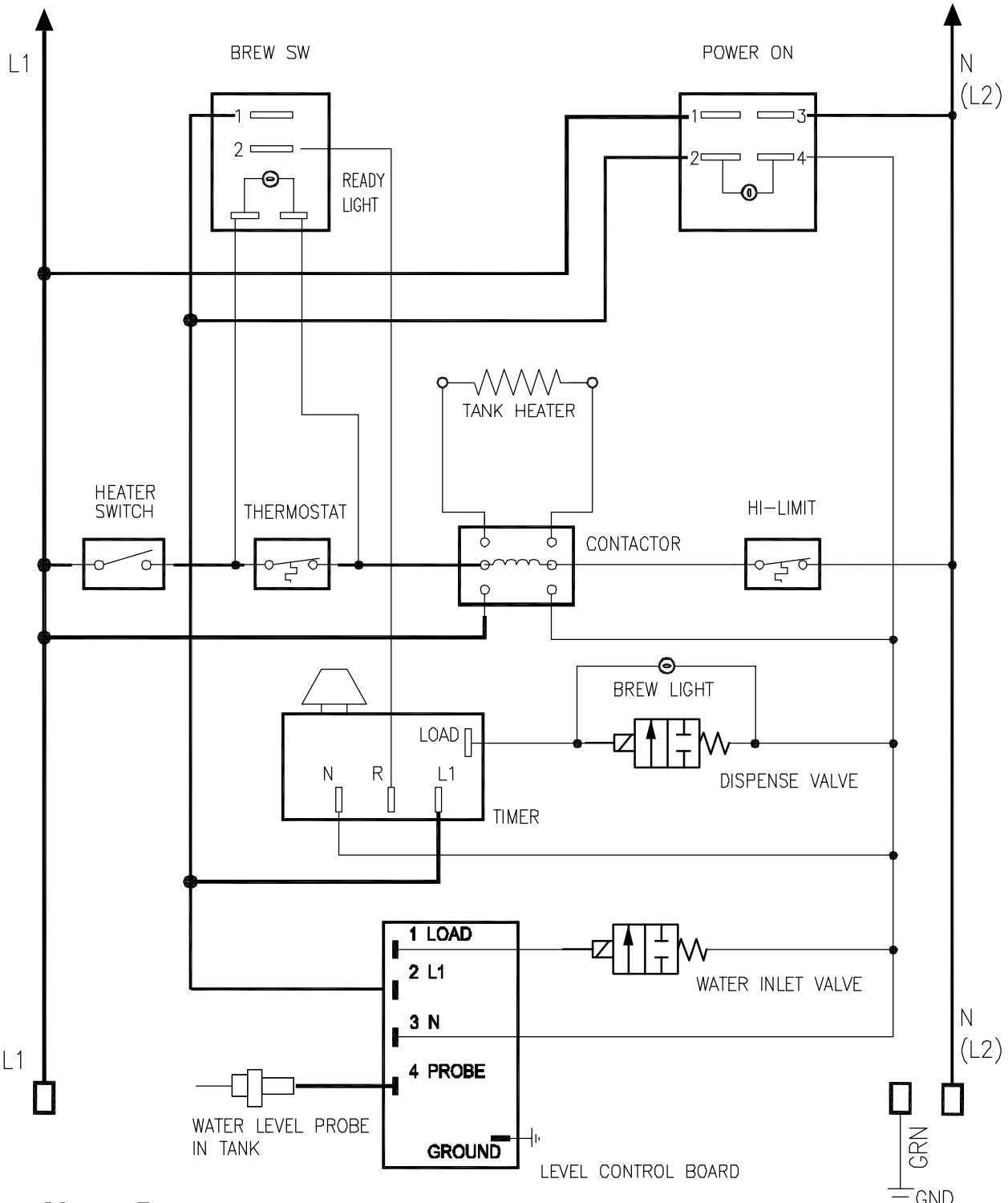
TANK ASSEMBLY - GRAVITY FEED AND WATER TAP AIRPOT BREWER



PARTS LIST

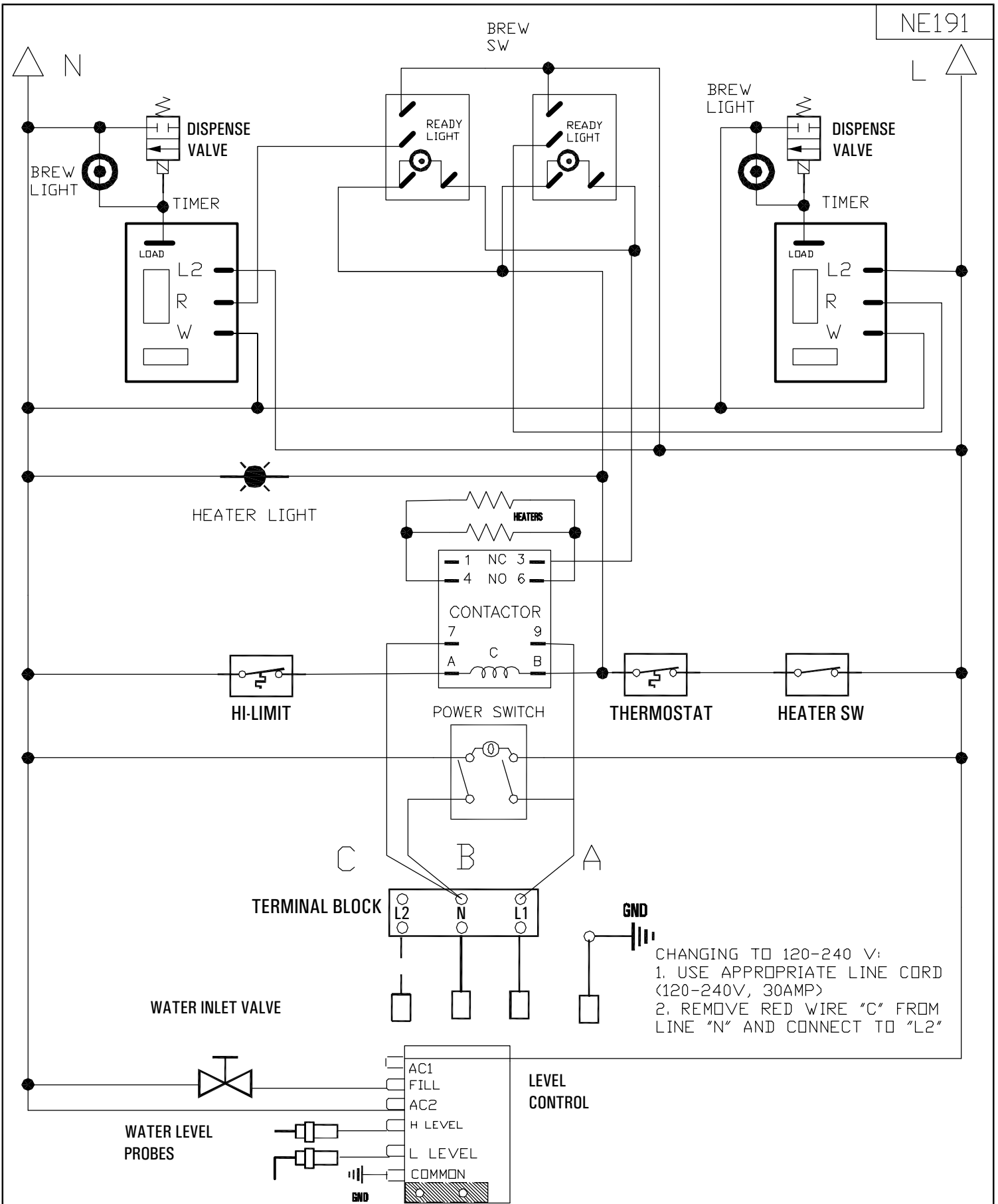
| ITEM | DESCRIPTION | PART NO | | |
|------|------------------------------------|---------|----|--------------------------------------|
| 1 | SPRAY TUBE ASSEMBLY | K642Q | 12 | HI-LIMIT |
| 2 | TIMER HOT WATER DISPENSER (120v) | L592A | 13 | ELBOW 90° |
| 2 | TIMER HOT WATER DISPENSER (240V) | L593A | 14 | SILICONE TUBING 1/2" I.D. x 14" LONG |
| 3 | THERMOSTAT | L532L | 15 | TUBING 1/4" COLD WATER INLET |
| 4 | THERMOSTAT KNOB | M008A | 16 | MT. BKT, WATER INLET VALVE |
| 5 | WATER LEVEL CONTROL (120V) | L566A | 17 | HOSE NUT FITTING |
| 5 | WATER LEVEL CONTROL (240V) | L599A | 18 | VALVE, WATER INLET (.35GPM) (120V) |
| 6 | WATER LEVEL SENSOR | K402Q | 18 | VALVE, WATER INLET (.35GPM) (240V) |
| 7 | SILICONE GASKET | M600A | 19 | FAUCET ASSEMBLY |
| 8 | SCREW 1/4-20 x 5/8 S.S. | P465A | 20 | SPRAY HEAD ADAPTER |
| 9 | TANK TOP ASSEMBLY | RV34Q | 21 | SPRAY HEAD |
| 10 | WATER TANK SUB-ASSEMBLY | RV33Q | 22 | DISPENSE VALVE (120V) |
| 11 | HEATER ELEMENT 1750W (120V) | G382A | 22 | DISPENSE VALVE (240V) |
| 11 | HEATER ELEMENT 3500W (240V) | G358A | 23 | SILICONE SEAL, 12mm (0.466 I.D.) |
| 11 | HEATER ELEMENT 2400W (220V) EXPORT | G357A | 24 | NOZZLE |
| | | | 25 | CONTACTOR |
| | | | | B177A |

Airpot Brewer Wiring Diagram



Airpot Brewer

| | | | | |
|---------------------|-------|------|---------|--------------|
| APT18G, APT18G/WT | 1.7KW | 120V | 50/60HZ | 1PH |
| APT35G, APT35G/WT | 3.5KW | 240V | 50/60HZ | 1PH |
| APT35GX, APT35GX/WT | 2.4KW | 220V | 50/60HZ | 1PH (EXPORT) |



| REV | BY | DATE | DESCRIPTION | APP'D BY | DATE | PART NO NE191 |
|---|----|------|-------------|-------------|---------------|---------------|
| | | | | DRAWN BY JE | DATE 06/25/02 | SCALE 1:1 |
| <p>CECILWARE CORPORATION 43-05 20 AVE. L.I.C. NY 11105</p> | | | | | | |
| <p>TITLE: ELECTRICAL DIAGRAM, APT100G, APT100G/WT</p> | | | | | | <p>REV.</p> |

NE191