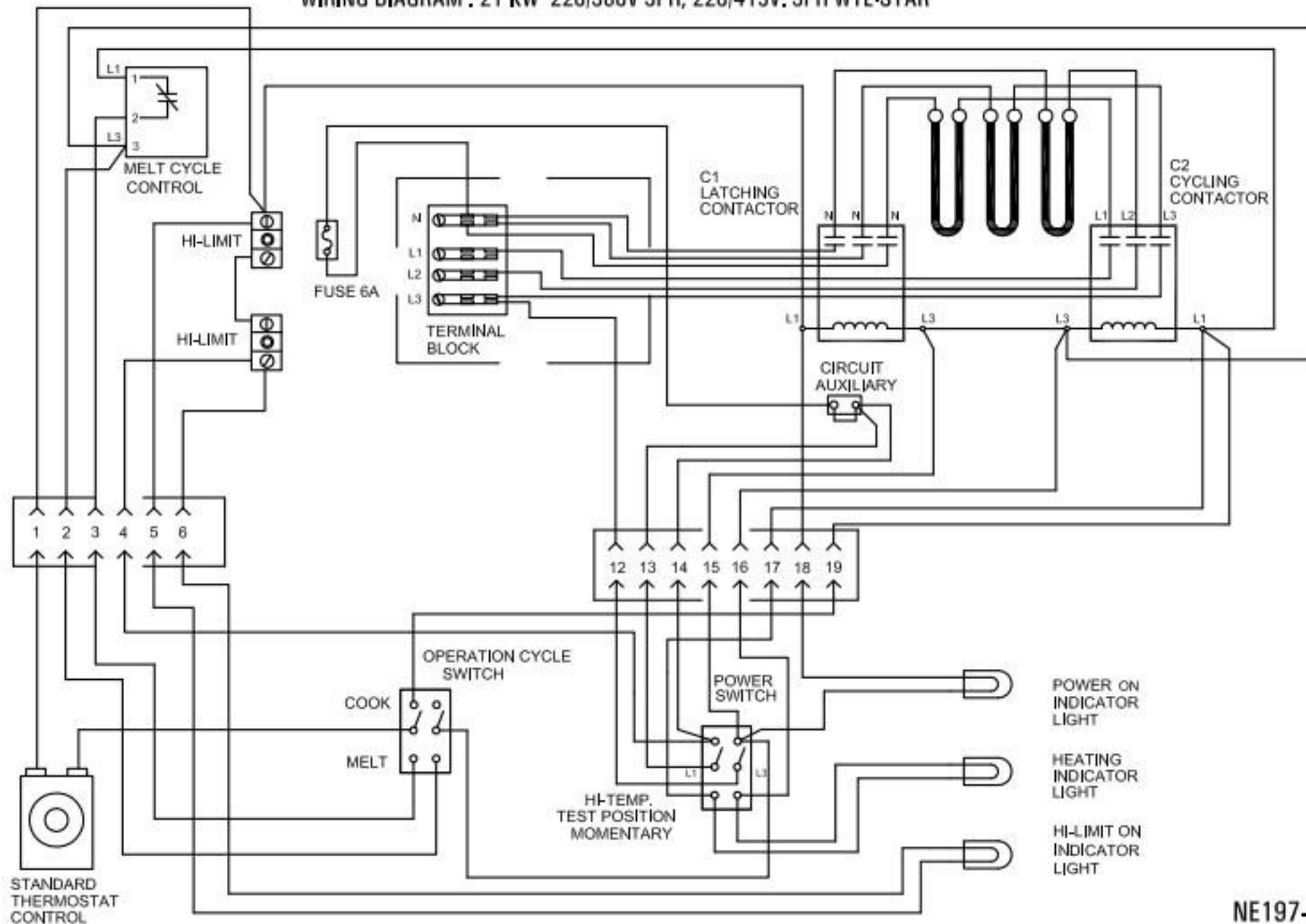


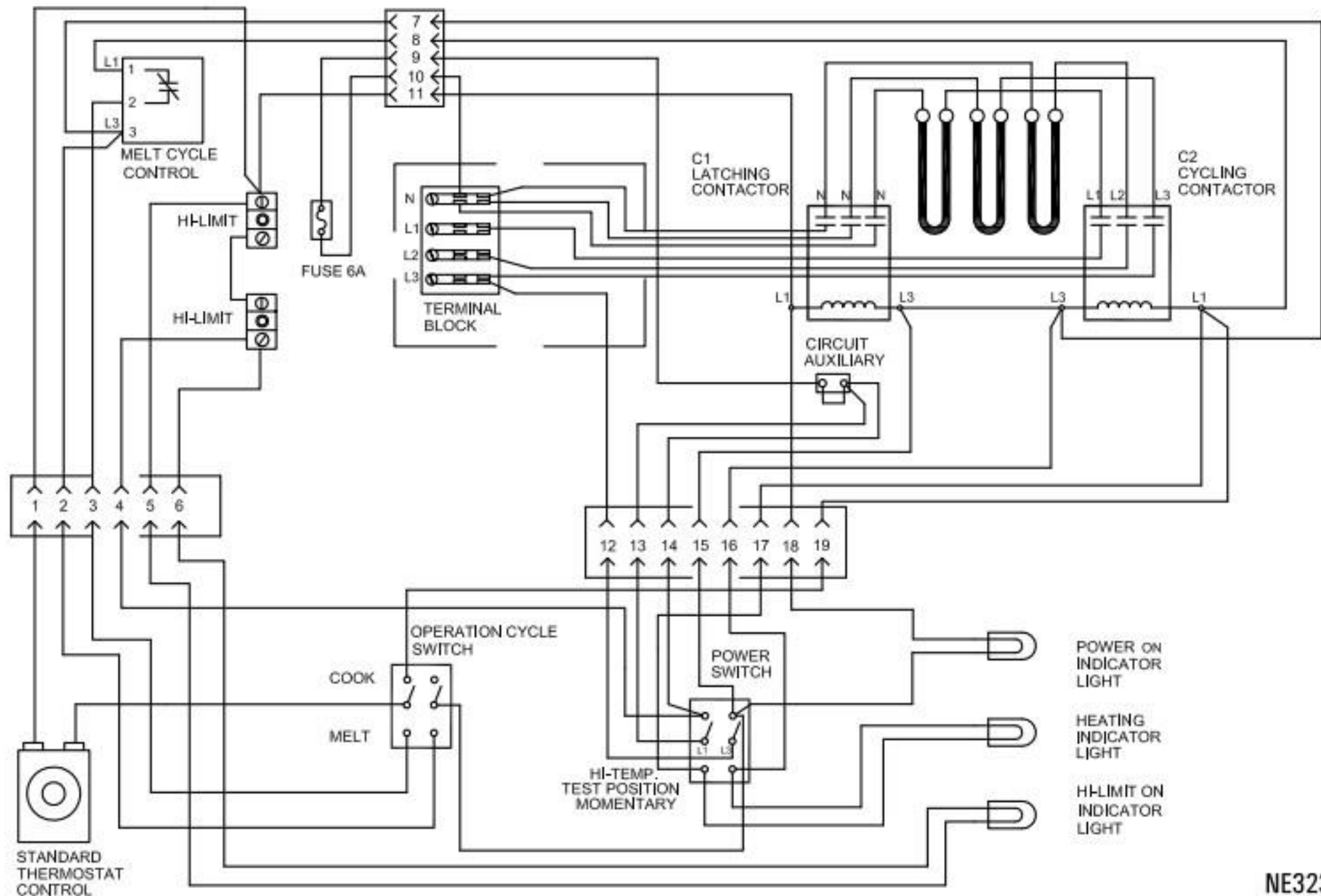
EFS/EFP-65 WITH STANDARD THERMOSTAT CONTROL

WIRING DIAGRAM : 21 KW 220/380V 3PH, 220/415V. 3PH WYE-STAR



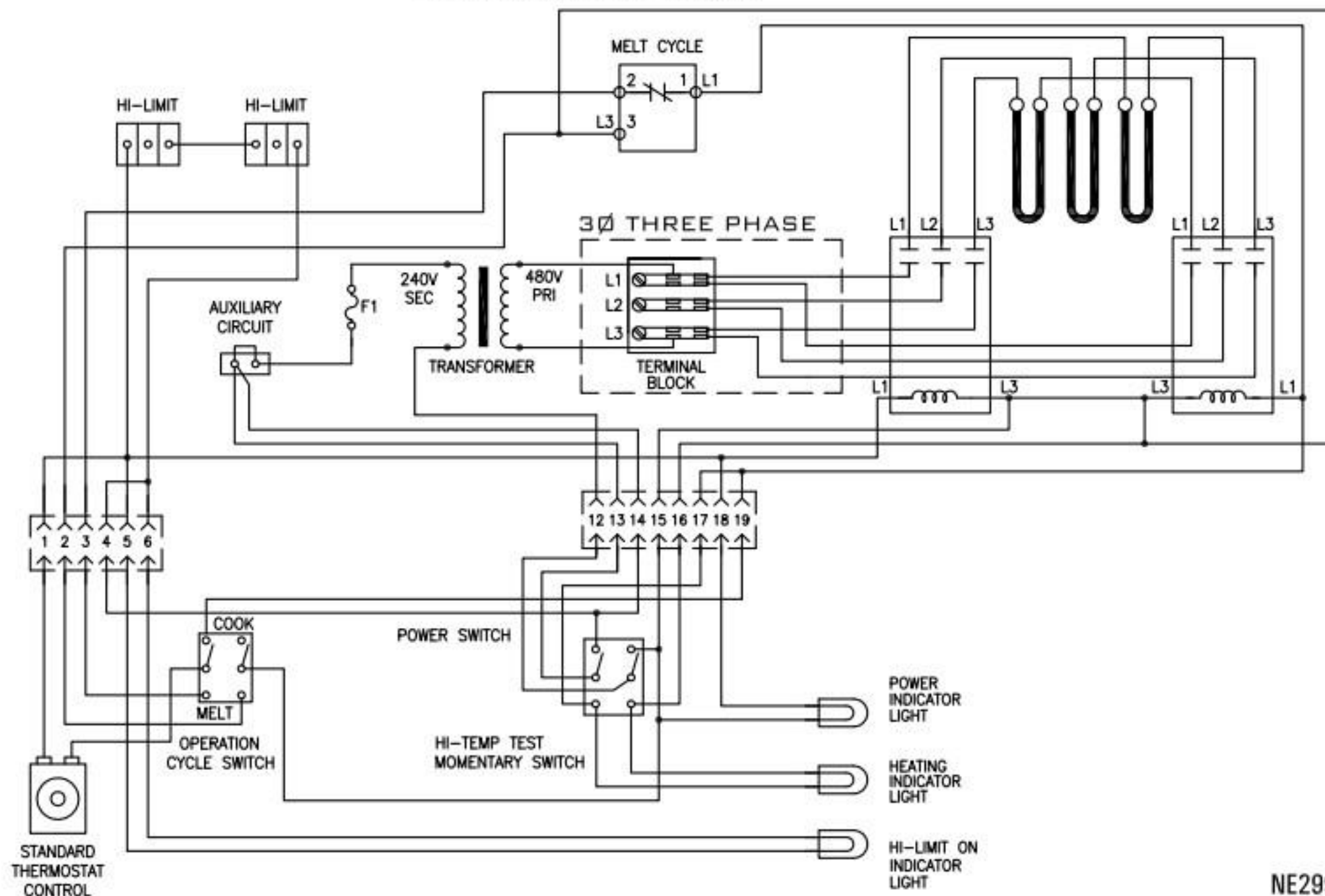
EFS/EFP-40 WITH STANDARD THERMOSTAT CONTROL

WIRING DIAGRAM : 18KW, 220-380V. 3 PH · 220-415V. 3 PH WYE-STAR



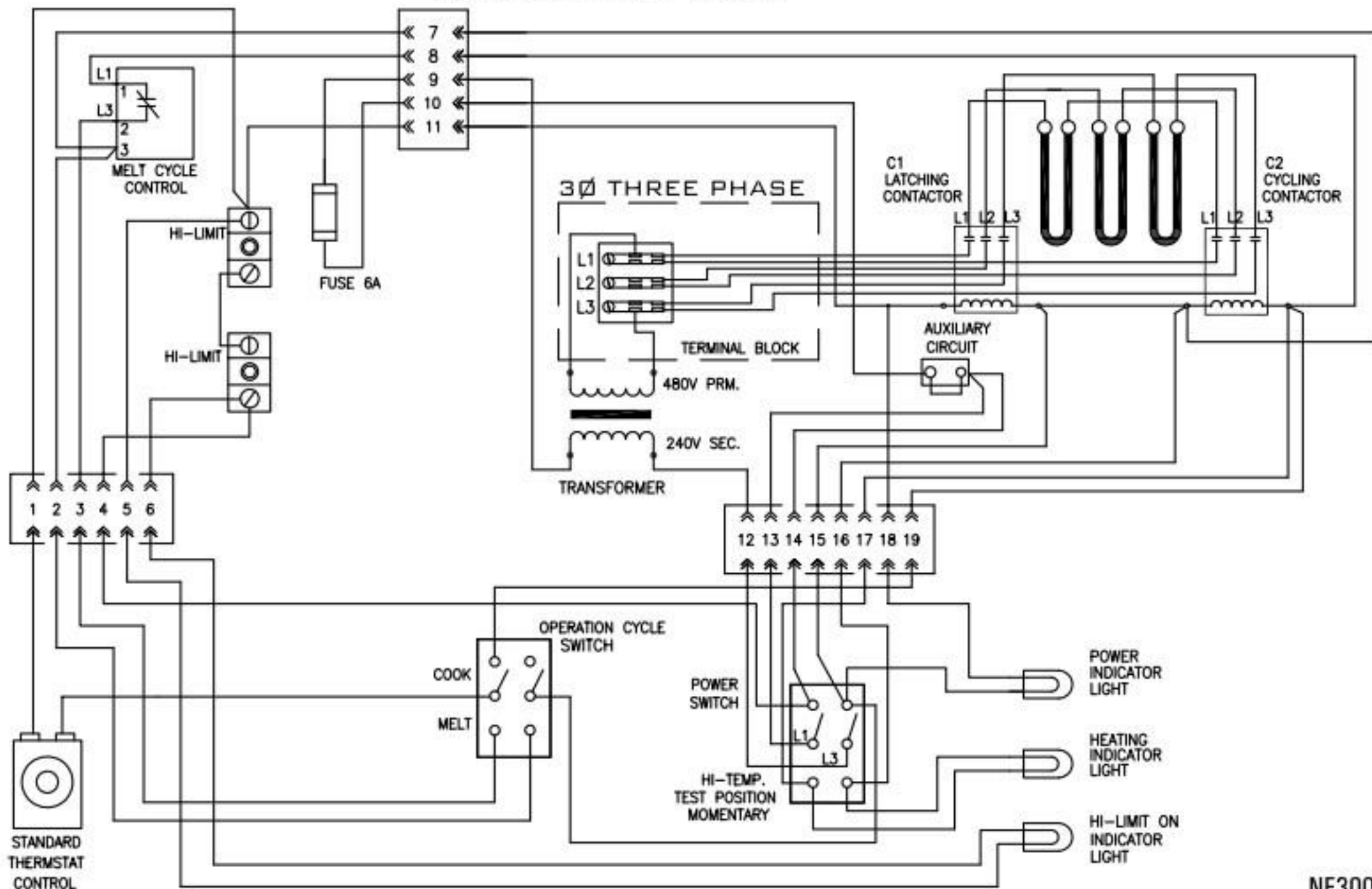
EFS/EFP-65 WITH STANDARD THERMOSTAT CONTROL

WIRING DIAGRAM : 21 KW 480V 3PH



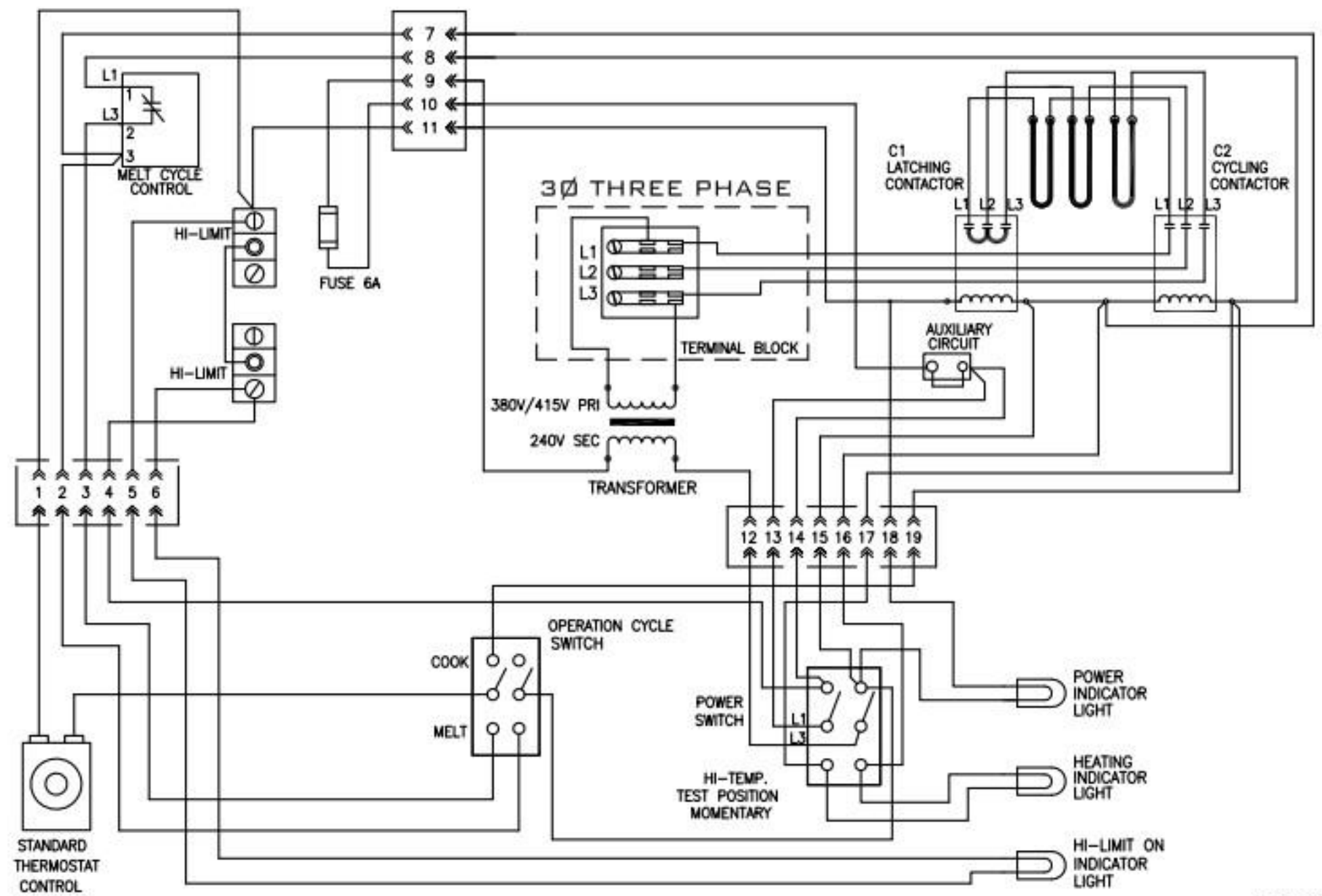
EFS/EFP-40 WITH STANDARD THERMOSTAT CONTROL

WIRING DIAGRAM : 18 KW 480V 3PH



EFS/EFP-40 WITH STANDARD THERMOSTAT CONTROL

WIRING DIAGRAM : 18 KW 380/415V 3PH WYE



EFS/EFP-40 WITH STANDARD THERMOSTAT CONTROL

WIRING DIAGRAM : 18 KW 208/240V 1PH & 3PH

