

# EL750, 900 WIRING DIAGRAM

WIRE CODE  
—— WHITE  
—— BLACK  
—— RED

HIGH LIMIT CONTROL  
L027A

RED PILOT  
C100A

TILT SWITCH  
L325A

G

AMBER PILOT  
C078A

THERMOSTAT  
L041A

HEATING ELEMENTS \*

CONTACTOR  
C034A

TERMINAL BLOCK  
B083A

THREE PHASE CONNECTION  
C395F FUSE, 6A  
C908F FUSE BLOCK

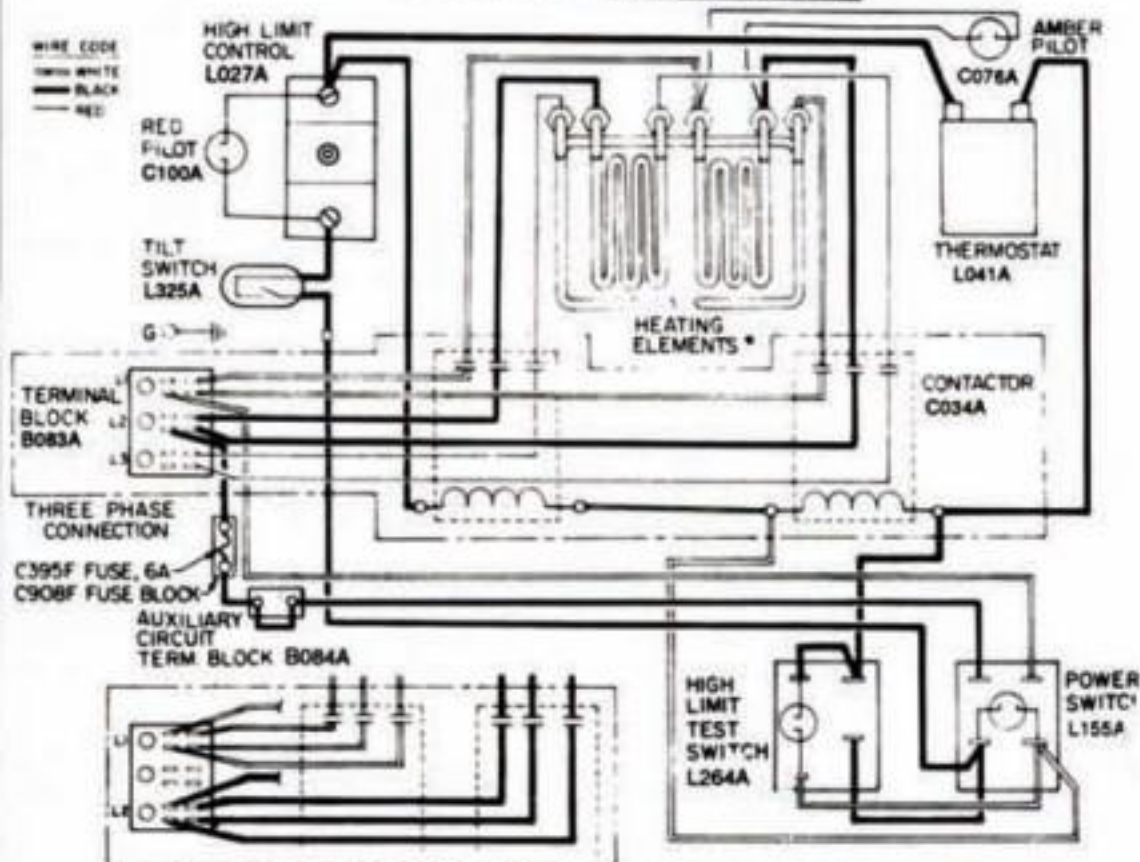
AUXILIARY CIRCUIT  
TERM BLOCK B084A

HIGH LIMIT TEST SWITCH  
L264A

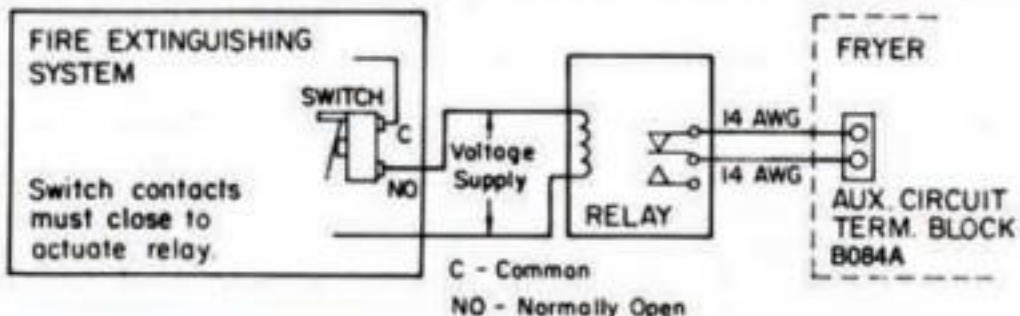
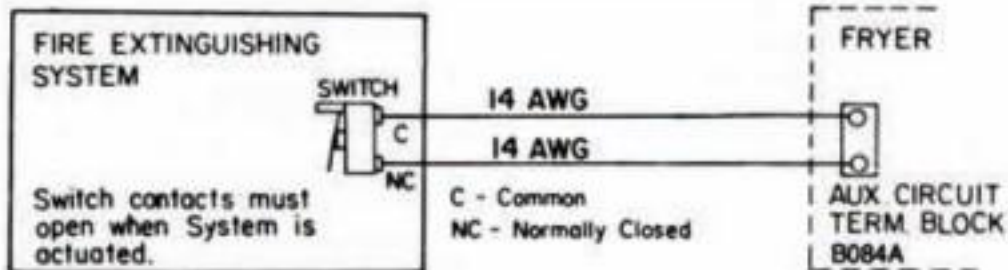
POWER SWITCH  
L155A

SINGLE PHASE CONNECTION

\* SEE PARTS LIST FOR RATINGS  
AND PART NUMBERS.



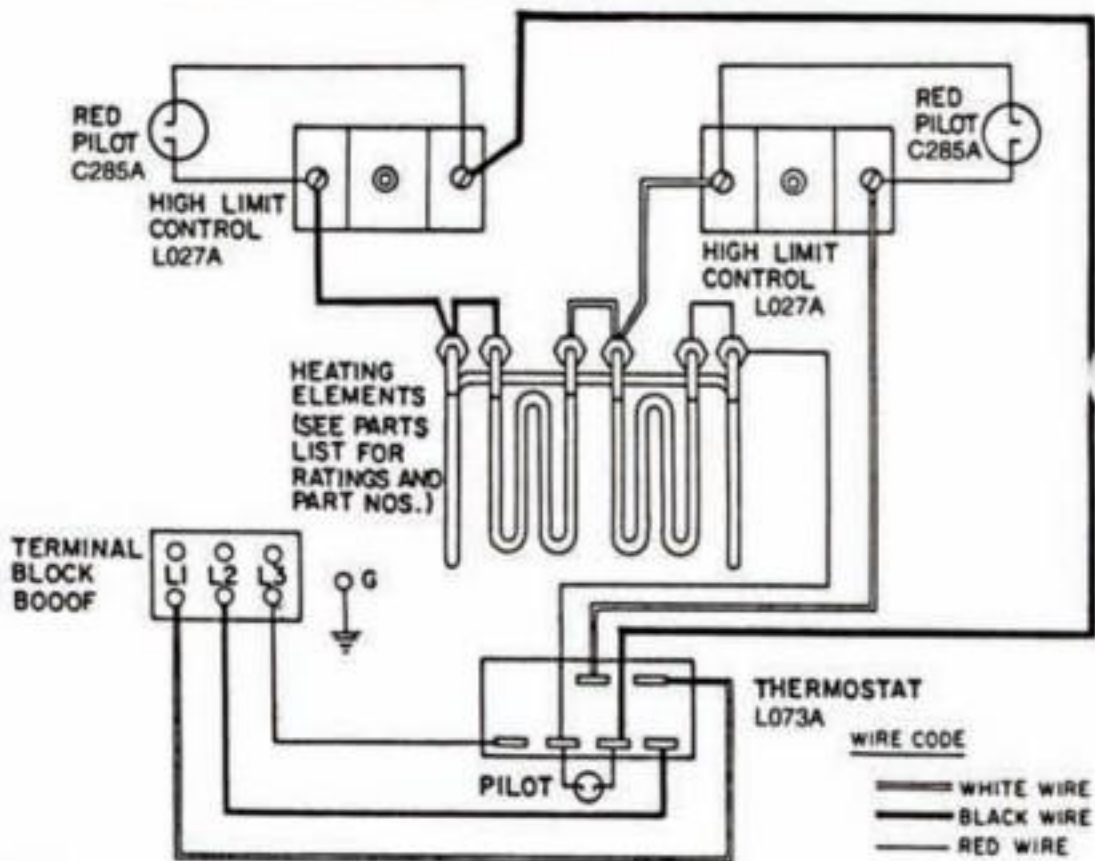
# EL750, 900 FIRE EXTINGUISHING SYSTEM



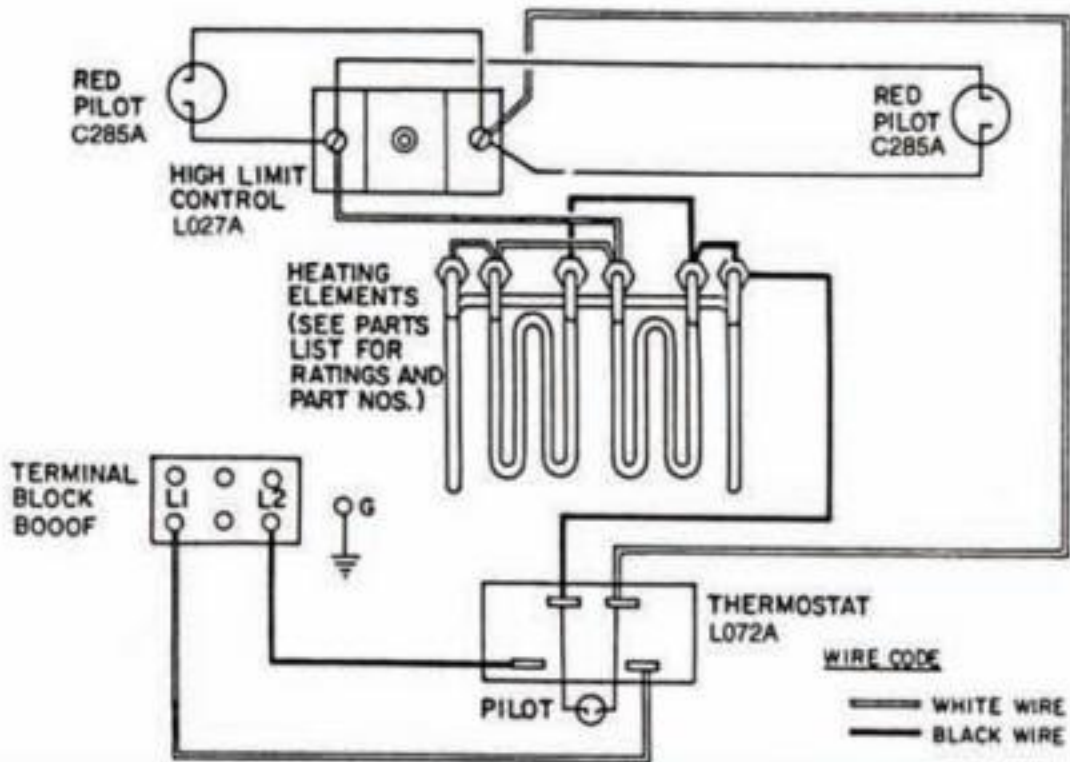
Relay specifications:

Coil voltage: Voltage available at Fire Extinguishing System  
Contacts: 1 Amp, 240VA, 240V

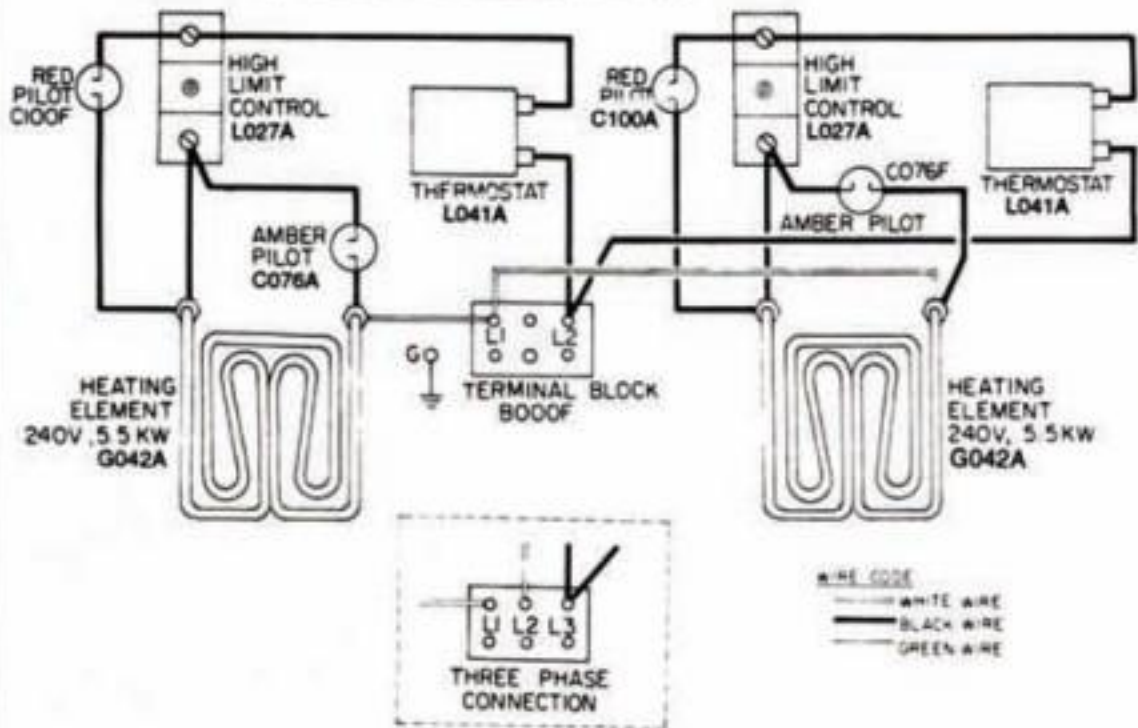
# EL600 THREE PHASE WIRING DIAGRAM



# EL600 SINGLE PHASE WIRING DIAGRAM



## ELT500 WIRING DIAGRAM



# EL120, 170, 250, 270, 310, 410 WIRING DIAGRAM

