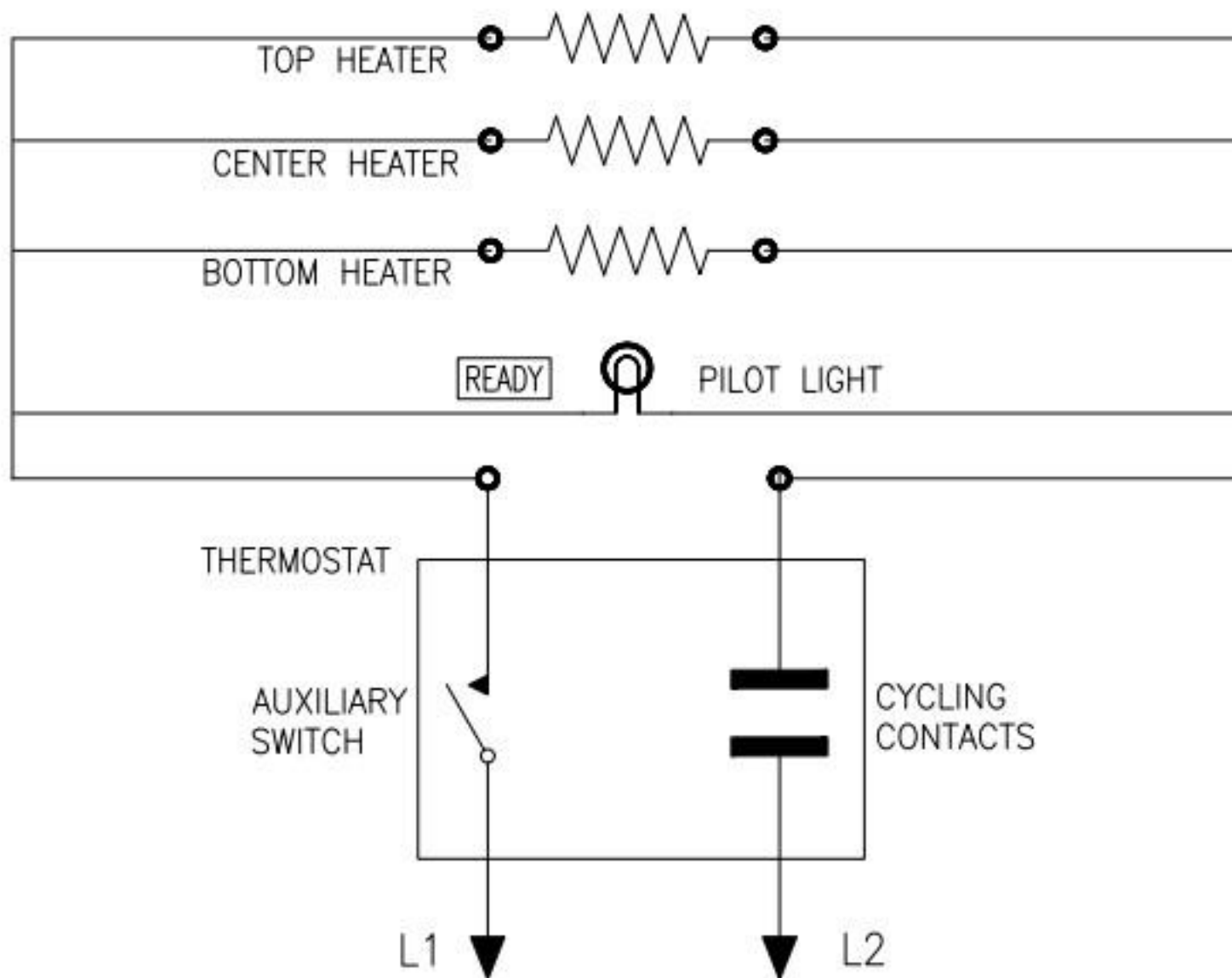


PO-18
PO-22



120 VAC, 50/60 Hz OR 208/240 VAC, 50/60 Hz