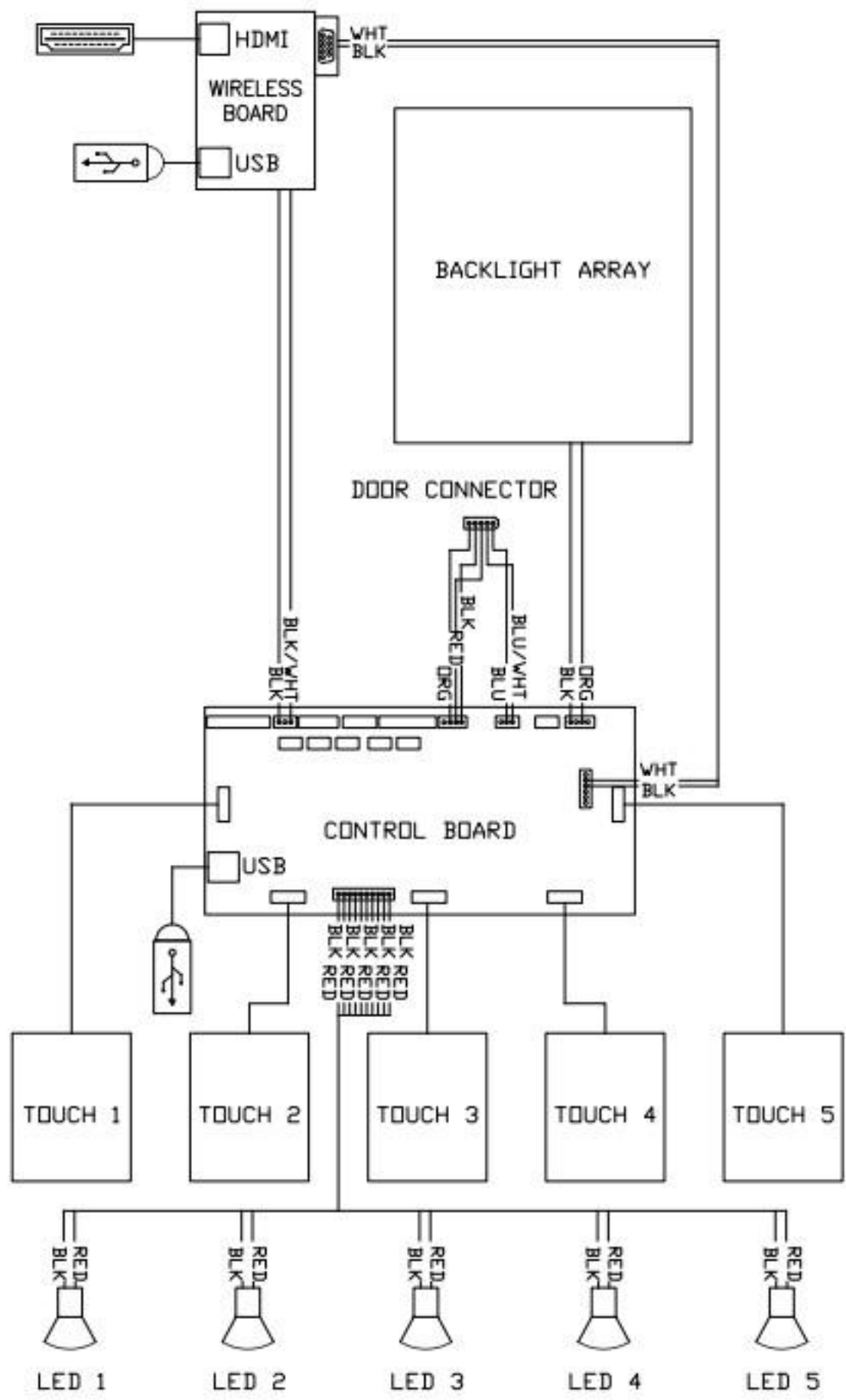
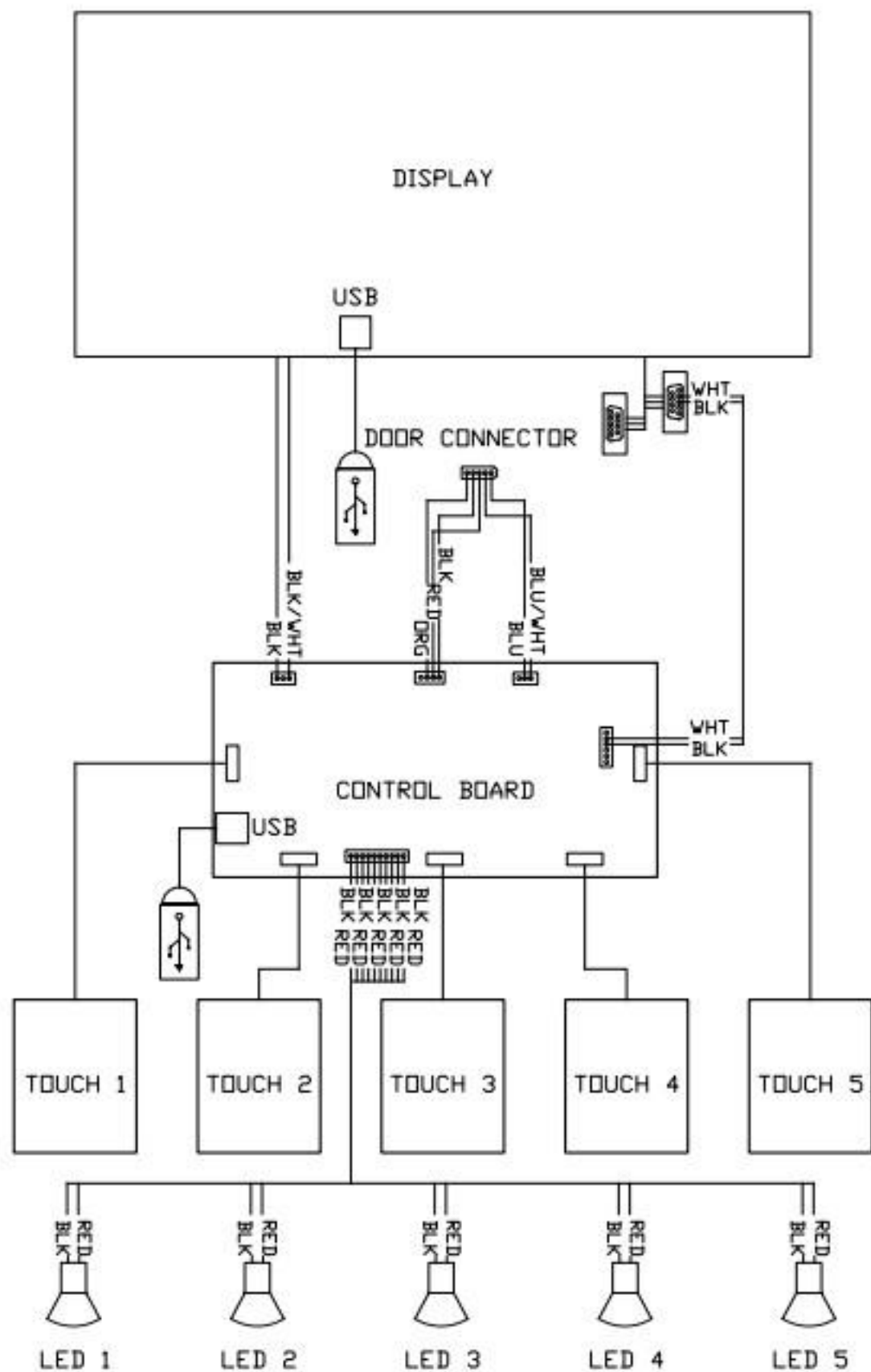


RADIANCE 10A, B & BW  
ELECTRICAL DIAGRAM - CABINET  
GRINDMASTER CORPORATION







DV=DISPENSE VALVE  
 LS=LOW SENSOR  
 ES=EMPTY SENSOR  
 T=TACH  
 A=AUGER  
 W=WHIPPER

