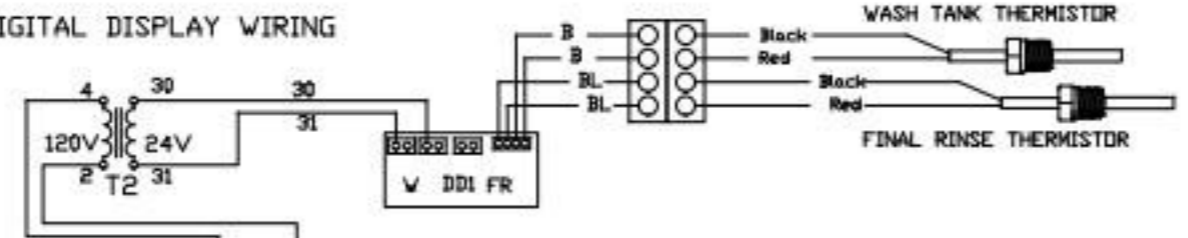


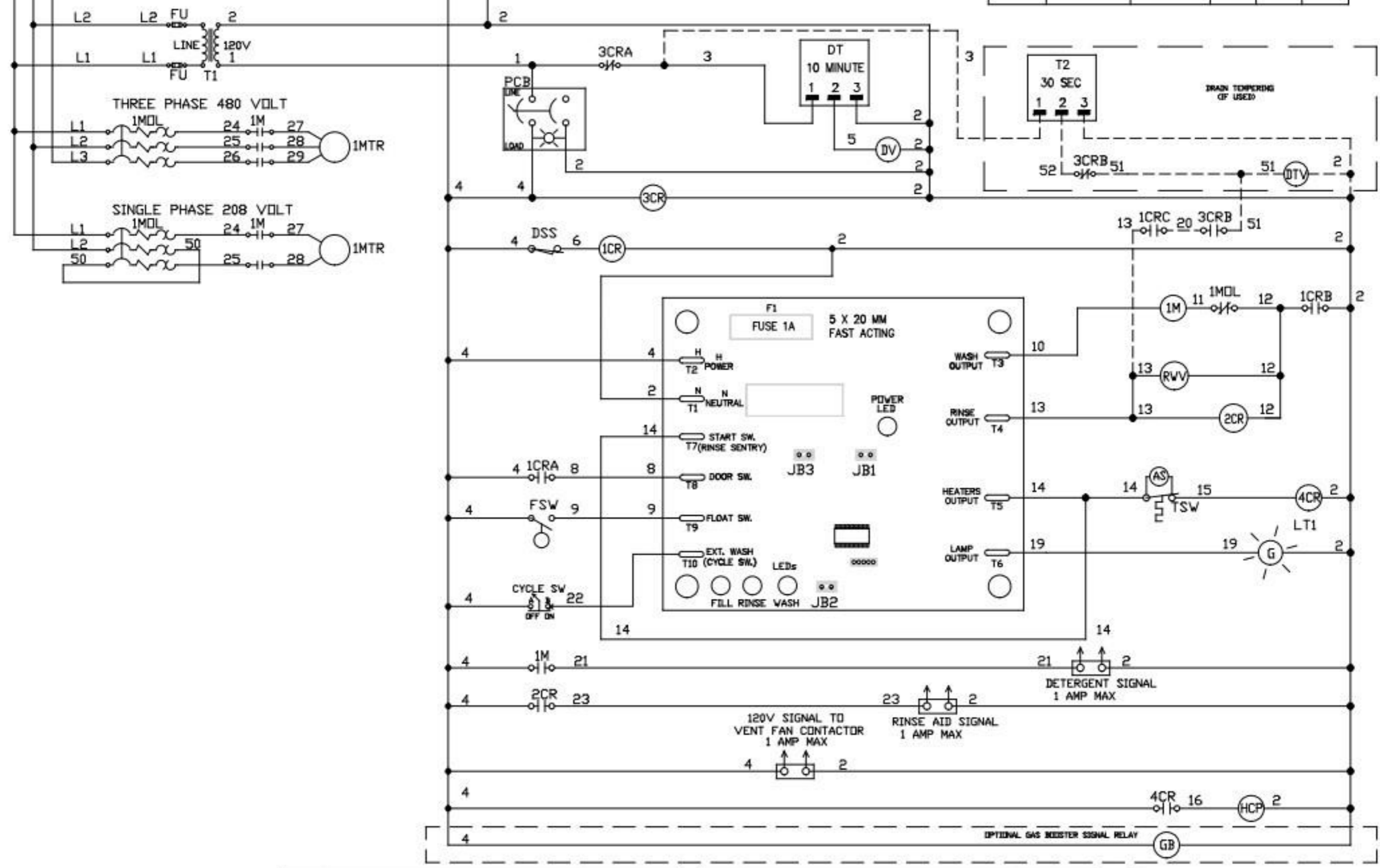
L1 L2 L3 N

DIGITAL DISPLAY WIRING

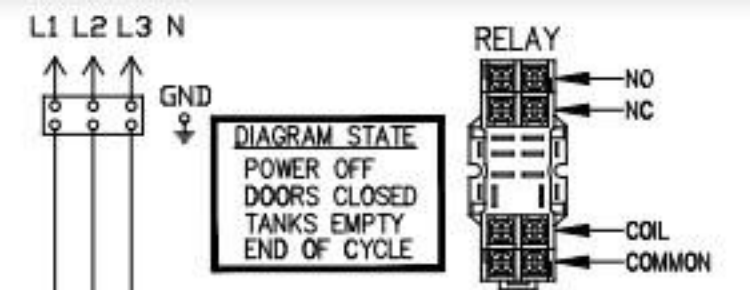


**! ATTENTION - VERY IMPORTANT ! - VERIFY CIRCUIT BOARD PART NUMBER AND JUMPER POSITION SETTINGS (JB1, JB2, JB3) PER MACHINE MODEL AND SERIAL NUMBER AS INDICATED IN TABLE BELOW. IMPROPER JUMPER SETTINGS MAY CAUSE ERRATIC OPERATION.**

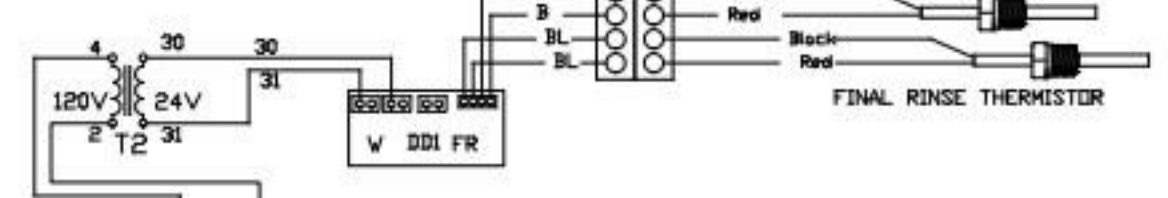
MODEL	MACHINE SERIAL NUMBER	BOARD PART NUMBER	JUMPER SETTINGS		
			JB1	JB2	JB3
GENESIS	N/A	114470	CLOSED	OPEN	OPEN



OPTIONAL GAS BEESER SIGNAL RELAY (GB)



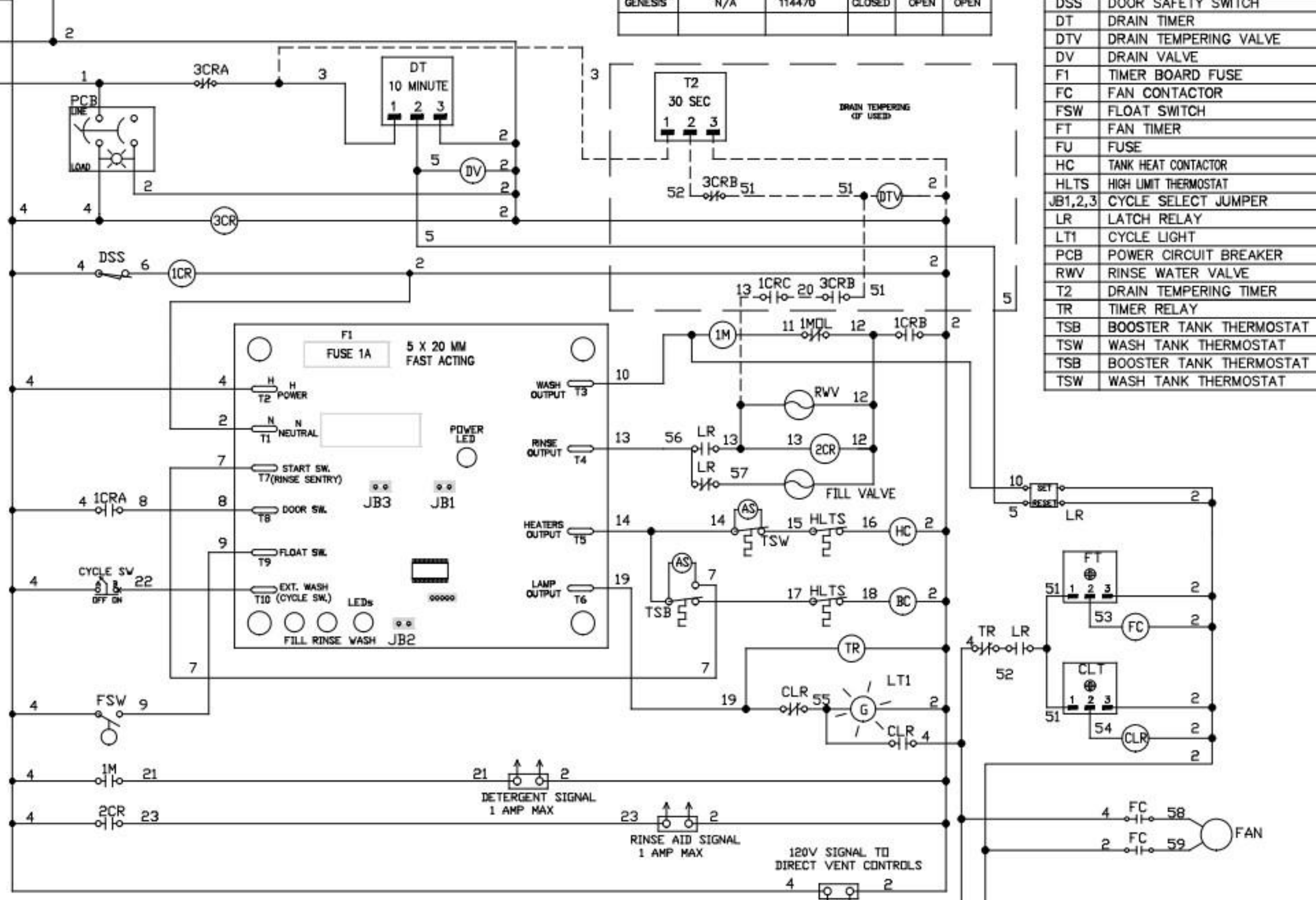
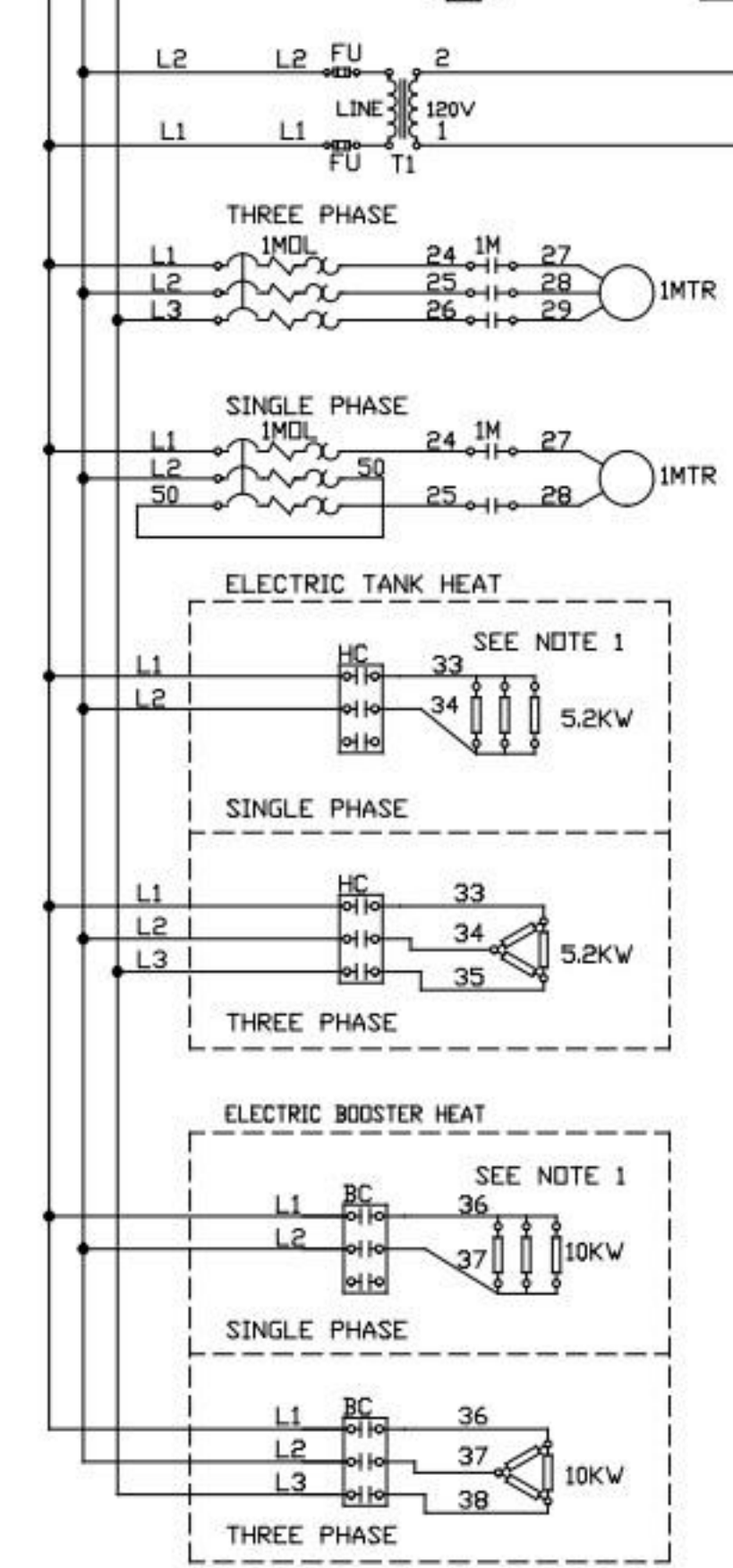
DIGITAL DISPLAY WIRING

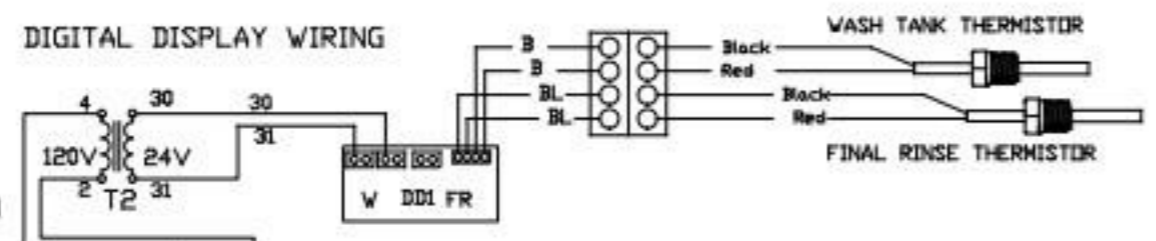
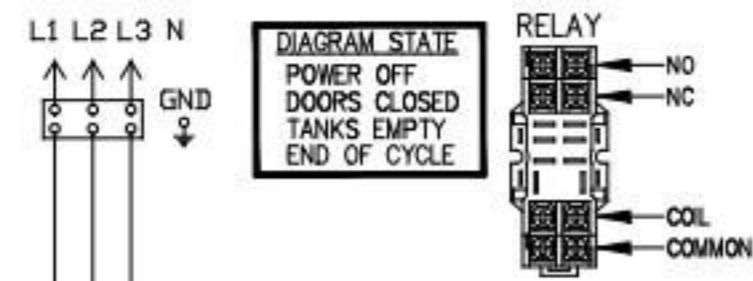


! ATTENTION - VERY IMPORTANT ! - VERIFY  
CIRCUIT BOARD PART NUMBER AND JUMPER POSITION  
SETTINGS (JB1, JB2, JB3) PER MACHINE MODEL AND  
SERIAL NUMBER AS INDICATED IN TABLE BELOW.  
IMPROPER JUMPER SETTINGS MAY CAUSE ERRATIC  
OPERATION.

MODEL	MACHINE SERIAL NUMBER	BOARD PART NUMBER	JUMPER SETTINGS		
			JB1	JB2	JB3
GENESIS	N/A	114470	CLOSED	OPEN	OPEN

1CR	DOOR SWITCH RELAY
2CR	RINSE AID RELAY
3CR	DRAIN VALVE RELAY
1M	WASH MOTOR CONTACTOR
AS	ARC SUPPRESSOR
BC	BOOSTER TANK CONTACTOR
CLT	CYCLE LIGHT TIMER
DSS	DOOR SAFETY SWITCH
DT	DRAIN TIMER
DTV	DRAIN TEMPERING VALVE
DV	DRAIN VALVE
F1	TIMER BOARD FUSE
FC	FAN CONTACTOR
FSW	FLOAT SWITCH
FT	FAN TIMER
FU	FUSE
HC	TANK HEAT CONTACTOR
HLTS	HIGH LIMIT THERMOSTAT
JB1,2,3	CYCLE SELECT JUMPER
LR	LATCH RELAY
LT1	CYCLE LIGHT
PCB	POWER CIRCUIT BREAKER
RWV	RINSE WATER VALVE
T2	DRAIN TEMPERING TIMER
TR	TIMER RELAY
TSB	BOOSTER TANK THERMOSTAT
TSW	WASH TANK THERMOSTAT
TSB	BOOSTER TANK THERMOSTAT
TSW	WASH TANK THERMOSTAT

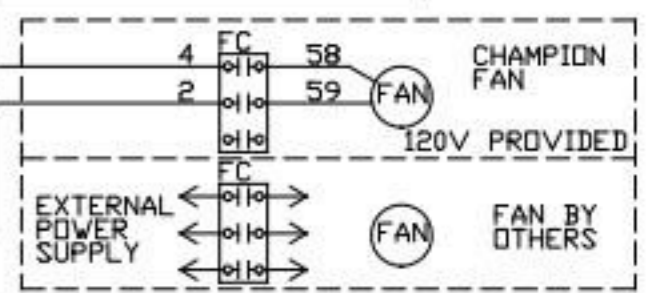
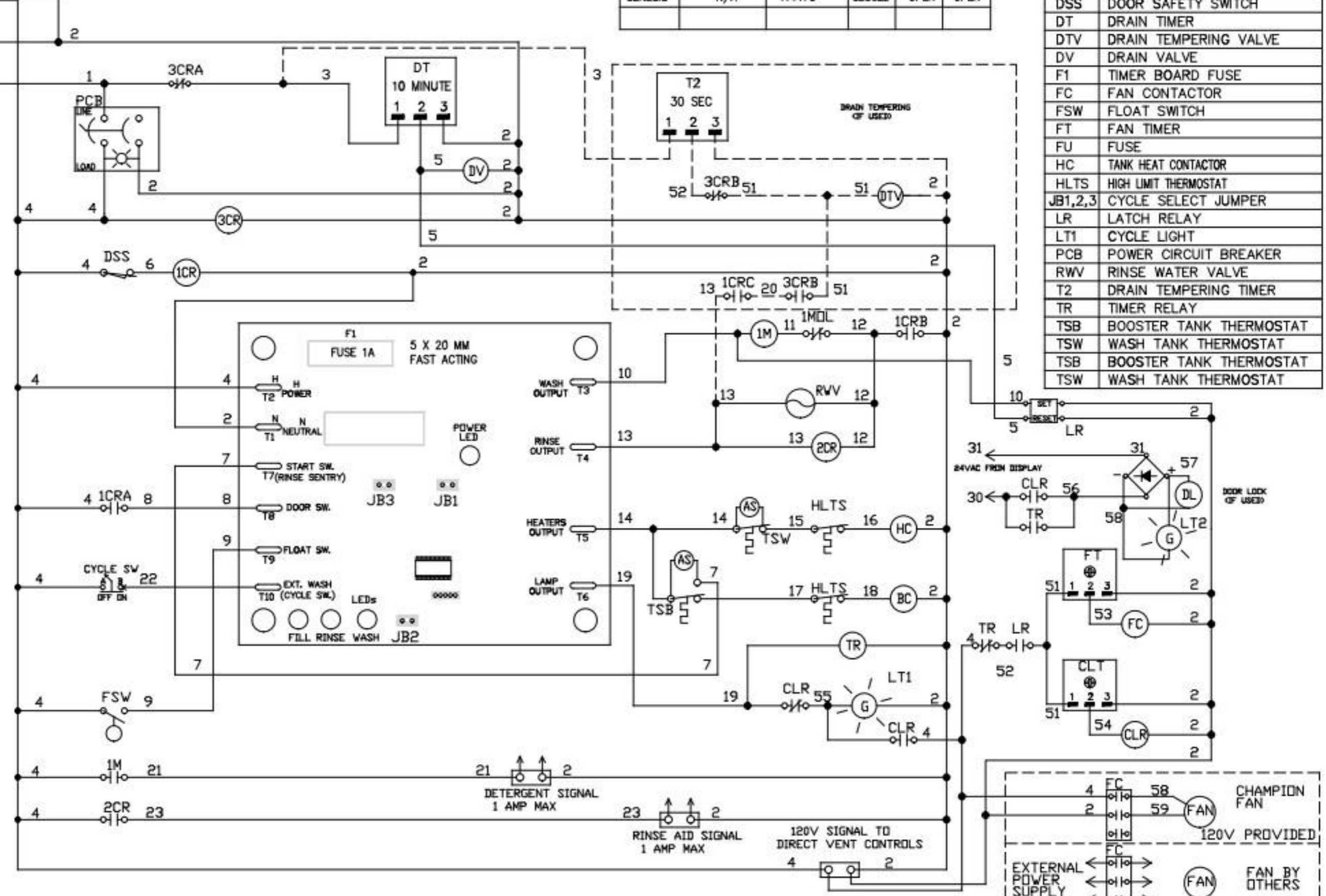
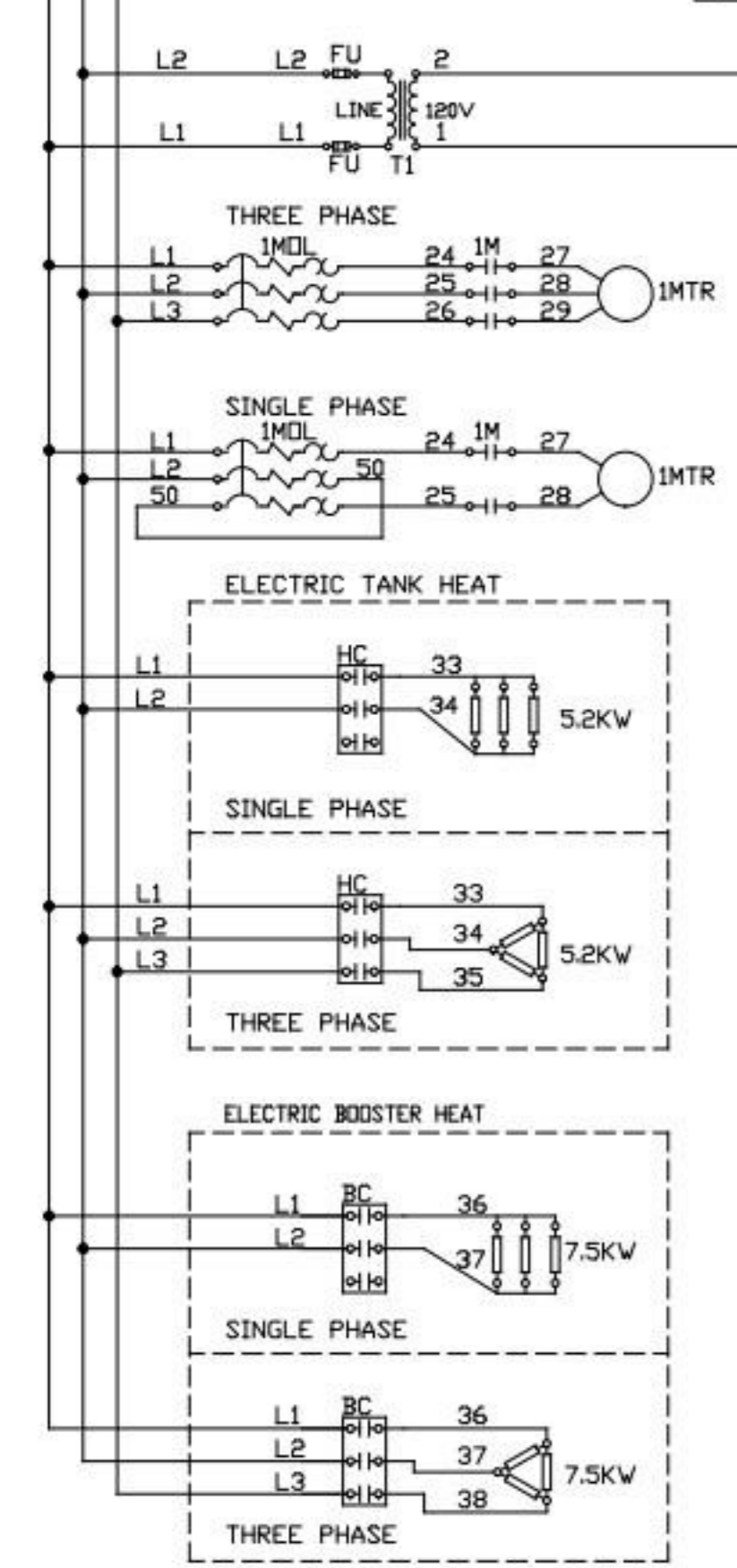




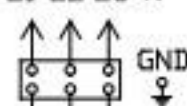
**! ATTENTION - VERY IMPORTANT ! - VERIFY**  
 CIRCUIT BOARD PART NUMBER AND JUMPER POSITION  
 SETTINGS (JB1, JB2, JB3) PER MACHINE MODEL AND  
 SERIAL NUMBER AS INDICATED IN TABLE BELOW.  
 IMPROPER JUMPER SETTINGS MAY CAUSE ERRATIC  
 OPERATION.

MODEL	MACHINE SERIAL NUMBER	BOARD PART NUMBER	JUMPER SETTINGS		
			JB1	JB2	JB3
GENESIS	N/A	114470	CLOSED	OPEN	OPEN

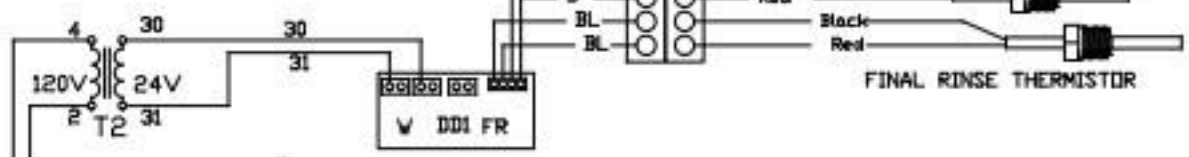
1CR	DOOR SWITCH RELAY
2CR	RINSE AID RELAY
3CR	DRAIN VALVE RELAY
1M	WASH MOTOR CONTACTOR
AS	ARC SUPPRESSOR
BC	BOOSTER TANK CONTACTOR
CLT	CYCLE LIGHT TIMER
DSS	DOOR SAFETY SWITCH
DT	DRAIN TIMER
DTV	DRAIN TEMPERING VALVE
DV	DRAIN VALVE
F1	TIMER BOARD FUSE
FC	FAN CONTACTOR
FSW	FLOAT SWITCH
FT	FAN TIMER
FU	FUSE
HC	TANK HEAT CONTACTOR
HLTS	HIGH LIMIT THERMOSTAT
JB1,2,3	CYCLE SELECT JUMPER
LR	LATCH RELAY
LT1	CYCLE LIGHT
PCB	POWER CIRCUIT BREAKER
RWV	RINSE WATER VALVE
T2	DRAIN TEMPERING TIMER
TR	TIMER RELAY
TSB	BOOSTER TANK THERMOSTAT
TSW	WASH TANK THERMOSTAT
TSB	BOOSTER TANK THERMOSTAT
TSW	WASH TANK THERMOSTAT



L1 L2 L3 N

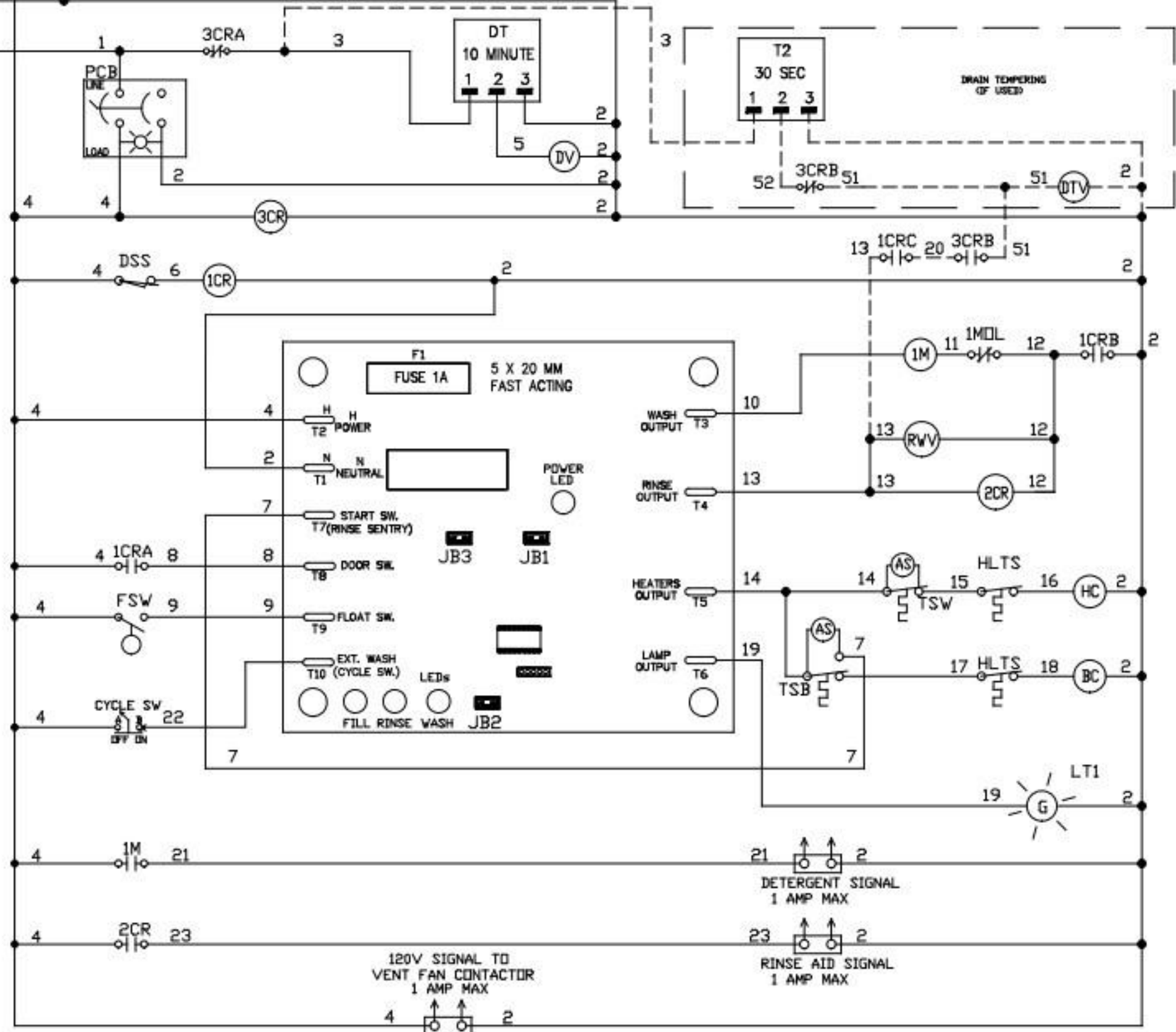
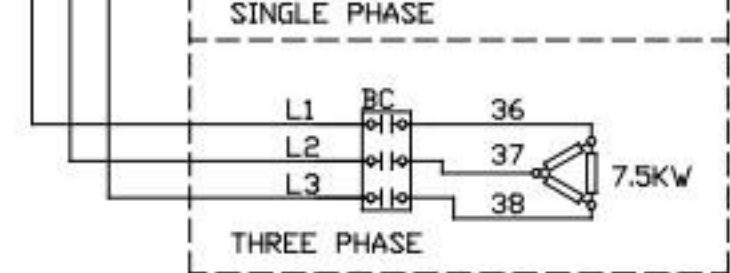
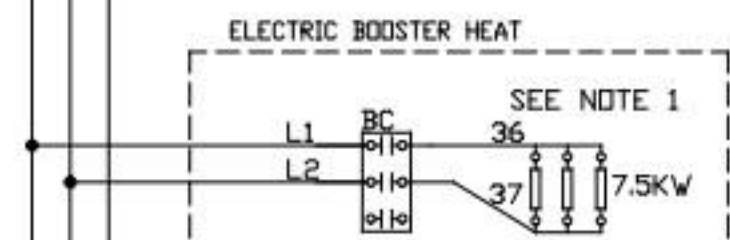
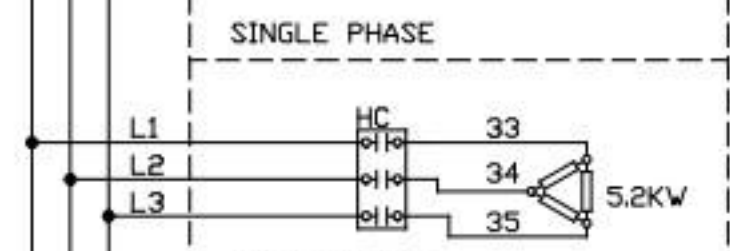
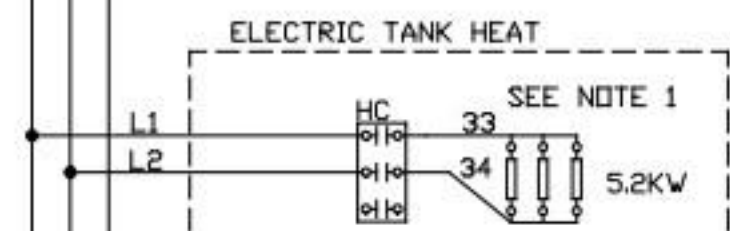
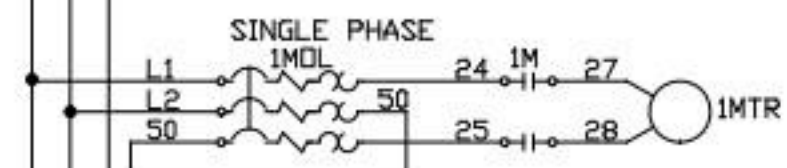
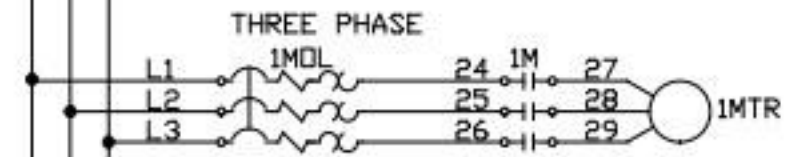
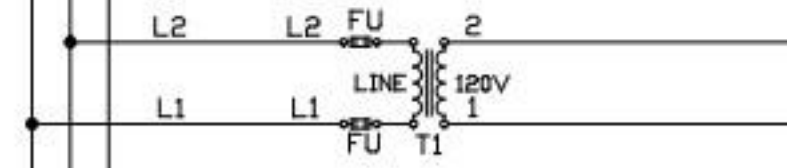


DIGITAL DISPLAY WIRING



**! ATTENTION - VERY IMPORTANT ! - VERIFY CIRCUIT BOARD PART NUMBER AND JUMPER POSITION SETTINGS (JB1, JB2, JB3) PER MACHINE MODEL AND SERIAL NUMBER AS INDICATED IN TABLE BELOW. IMPROPER JUMPER SETTINGS MAY CAUSE ERRATIC OPERATION.**

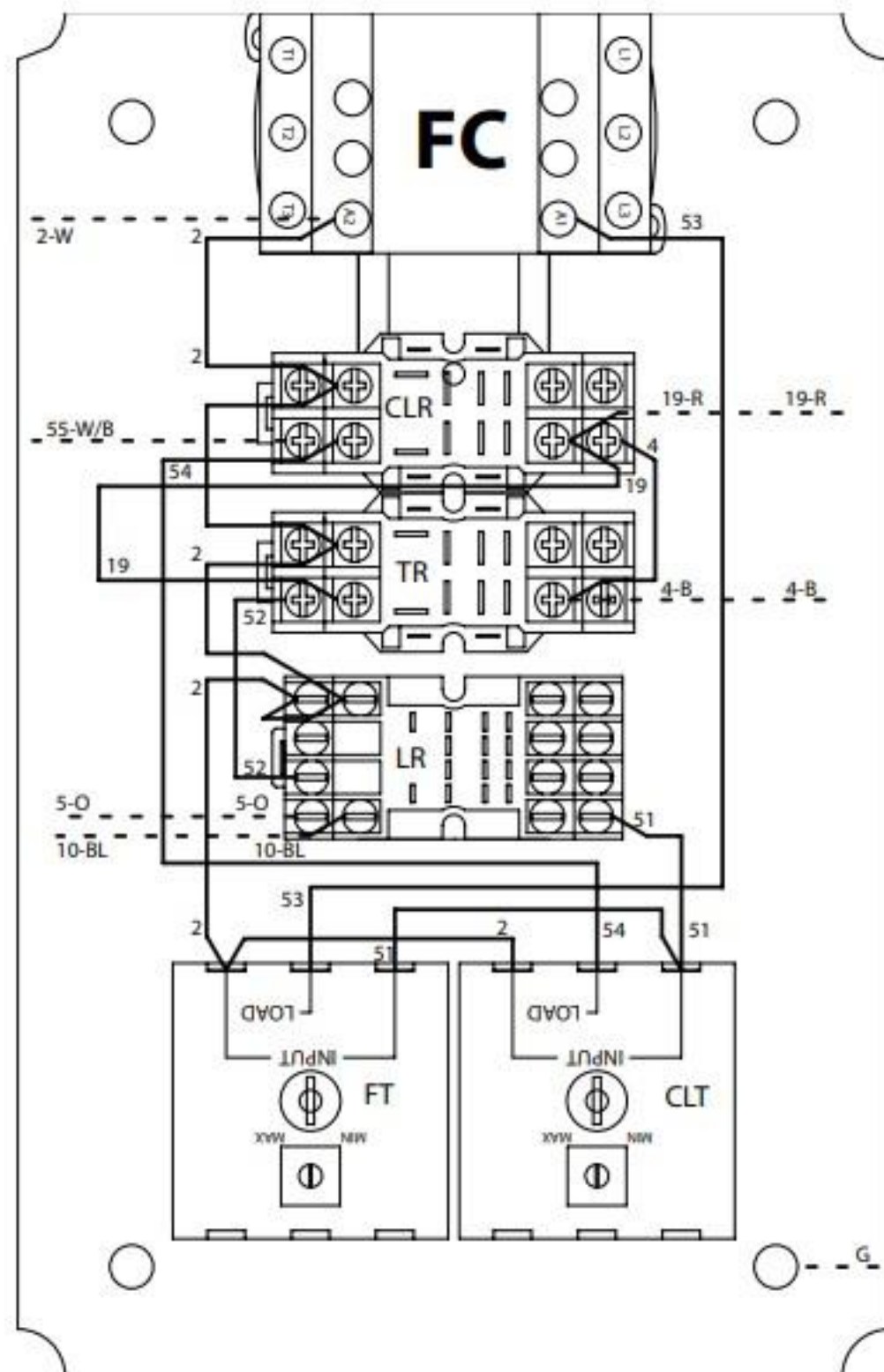
MODEL	MACHINE SERIAL NUMBER	BOARD PART NUMBER	JUMPER SETTINGS		
			JB1	JB2	JB3
GENESIS	N/A	114470	CLOSED	OPEN	OPEN



120V SIGNAL TO VENT FAN CONTACTOR 1 AMP MAX

DETERGENT SIGNAL 1 AMP MAX

RINSE AID SIGNAL 1 AMP MAX



### LATCH RELAY BASE

————— CONTROL BOX WIRE

----- HARNESS WIRE

#### RELAY

