

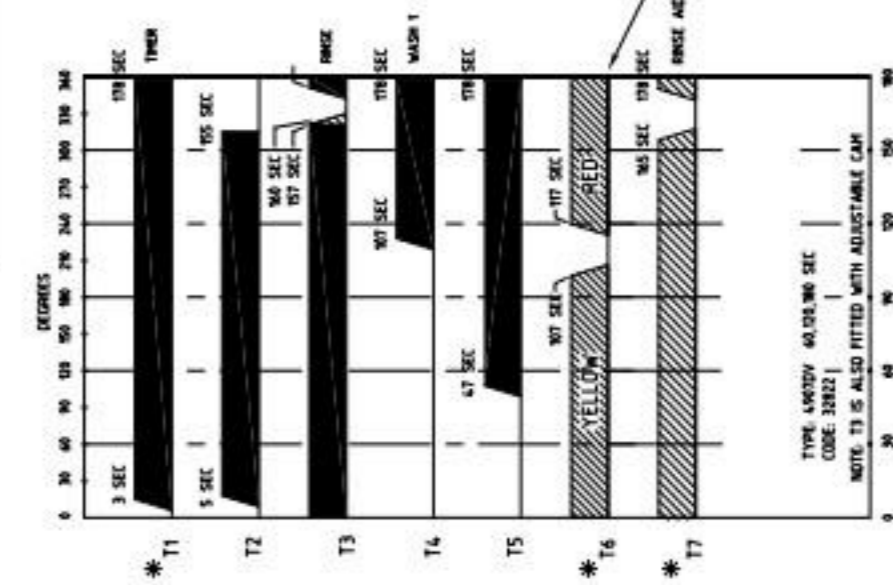
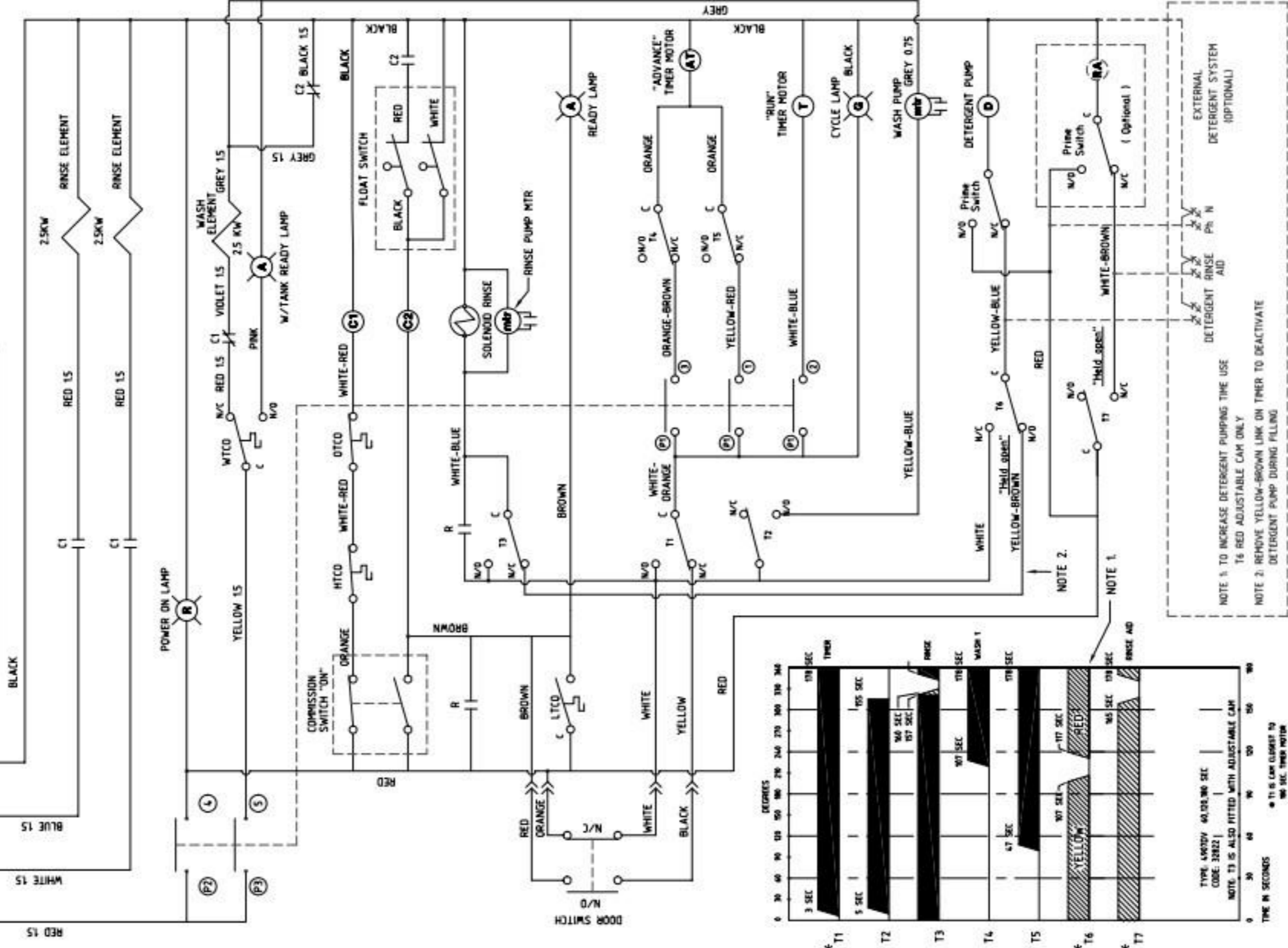
For a more detailed explanation of wiring connections see page 3 Fig. 2 of Installation section of manual.

Date	Change	Issue
29-07-02	CHANGE DOOR SWITCH	1-0

230V 25A 50Hz 1 PHASE
OR
400V 15A 50Hz 3 PHASE N+E

L1 L2 L3 N

LINK FOR SINGLE PHASE CONNECTION REMOVE IF CONNECTING TO 3 PHASE SUPPLY



NOTE 1: TO INCREASE DETERGENT PUMPING TIME USE T6 RED ADJUSTABLE CAM ONLY
NOTE 2: REMOVE YELLOW-BROWN LINK ON TIMER TO DEACTIVATE DETERGENT PUMP DURING FILLING

- ADJUSTABLE CAM
- PRESET CAM



M-DH ELECTRIC	DATE
080133	7/29/02

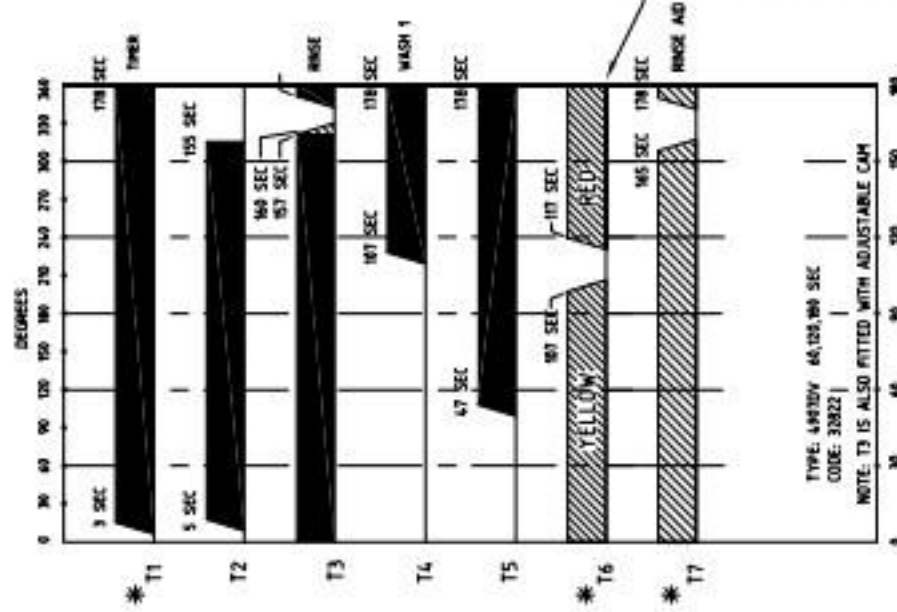
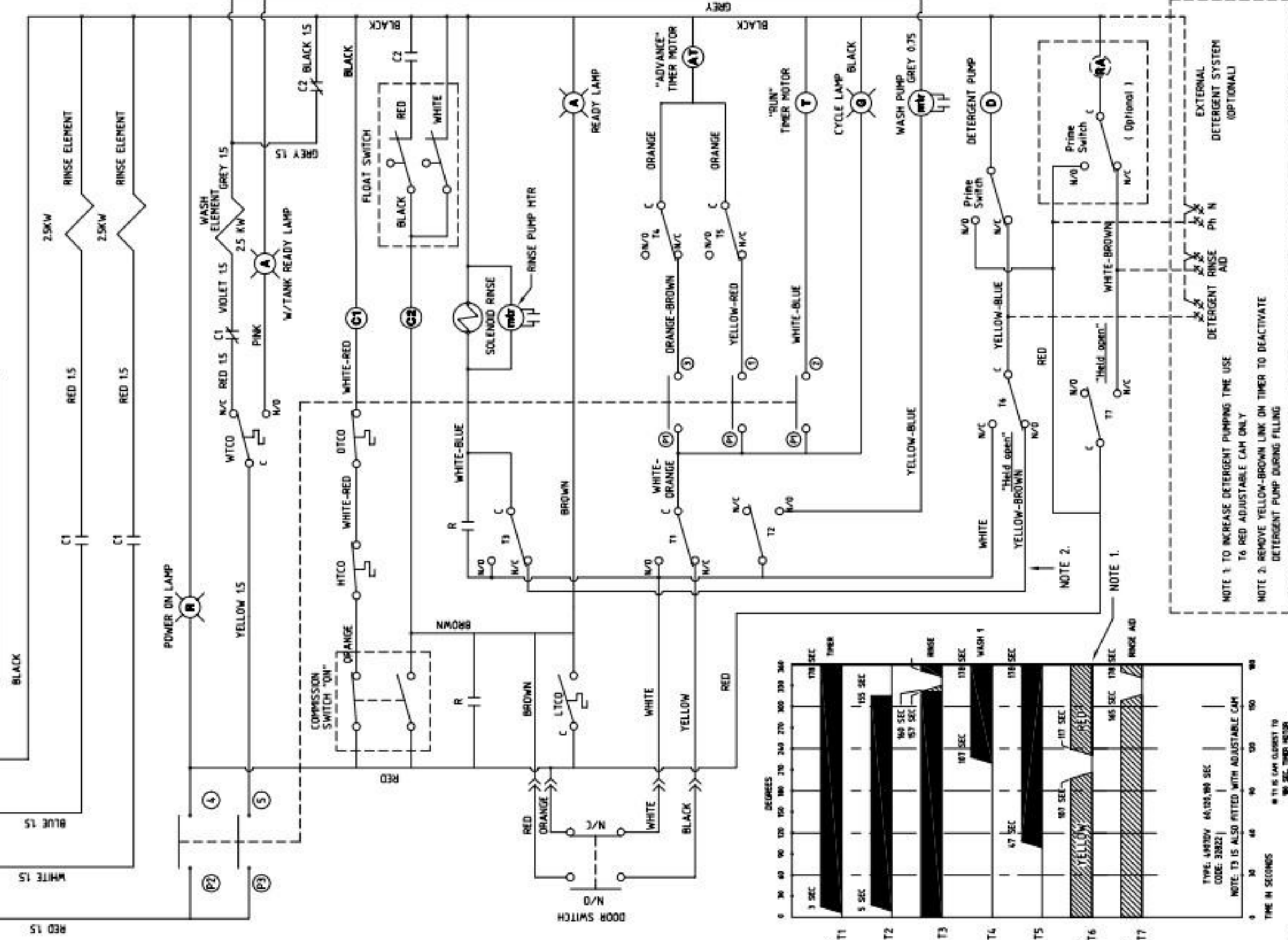
For a more detailed explanation of wiring connections see page 3 Fig. 2 of Installation section of manual.

415V 15A 50Hz 3 PHASE, N • E
OR
230V 25A 50Hz 1 PHASE

Date	Change	Issue
25-07-02	1. CHANGE DOOR SWITCH 2. REMOVE TRANSFORMER	1-E

L1 L2 L3 N

FIT 15MM LINKS -
IF CONNECTING TO SINGLE PHASE SUPPLY



NOTE 1: TO INCREASE DETERGENT PUMPING TIME USE T6 RED ADJUSTABLE CAM ONLY
NOTE 2: REMOVE YELLOW-BROWN LINK ON TIMER TO DEACTIVATE DETERGENT PUMP DURING FILLING



KEY
 [] ADJUSTABLE CAM
 [] PRESET CAM

M-DHELECTRIC	DATE	7/29/02
080134	REV	E