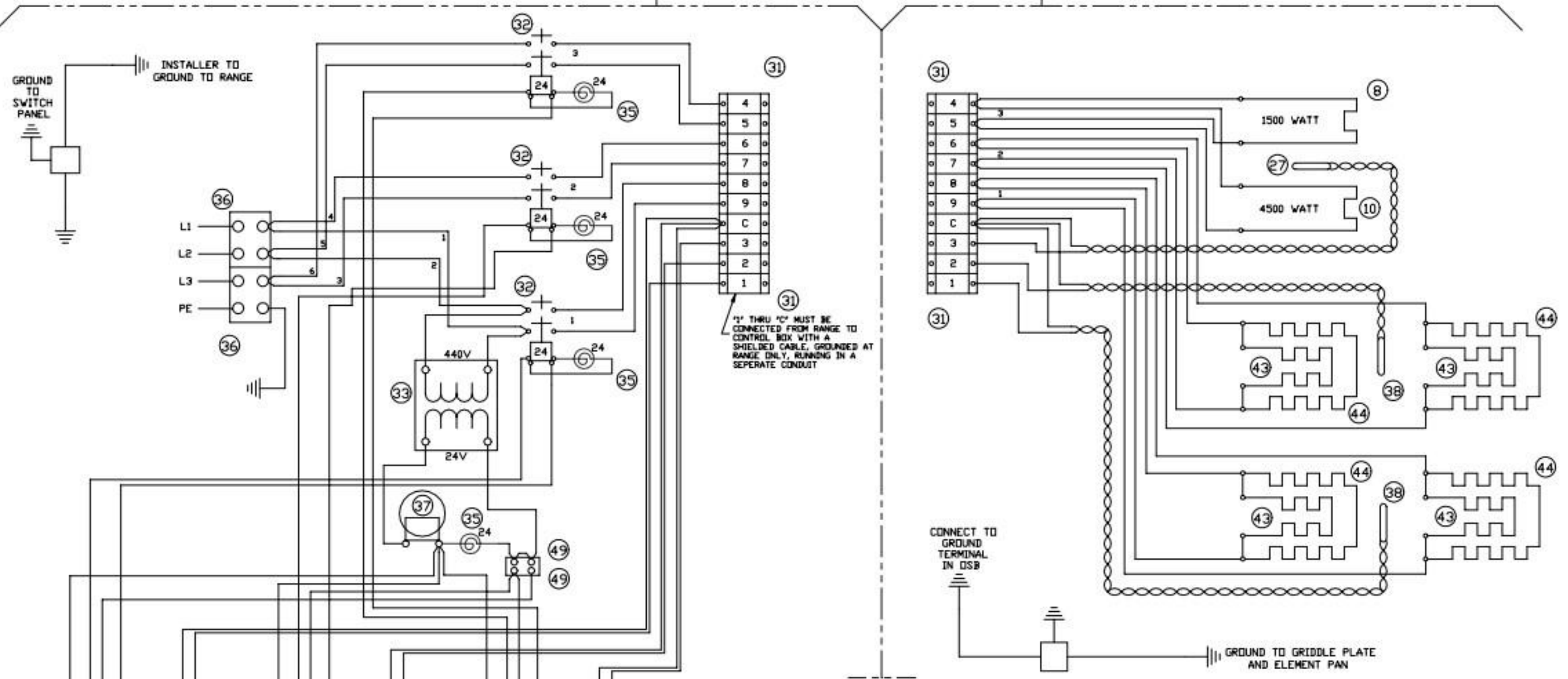


REVISION BLOCK						
REV	ECN NO.	DESCRIPTION	DR.	MFG	ENG	DATE

OVERHEAD SWITCH BOX

RANGE



*1" THRU "C" MUST BE CONNECTED FROM RANGE TO CONTROL BOX WITH A SHIELDED CABLE, GROUNDED AT RANGE ONLY, RUNNING IN A SEPERATE CONDUIT

CONNECT TO GROUND TERMINAL IN OSB

GROUND TO GRIDDLE PLATE AND ELEMENT PAN

ITEM NO.	DESCRIPTION
8	OVEN TOP ELEMENT, 440V, 1500W
10	OVEN BOTYOM ELEMENT, 440V
27	OVEN TEMPERATURE PROBE
31	10 POLE TERMINAL STRIP, 30A, 600V
32	2 POLE CONTACTOR, 30A, 24VAC
33	TRANSFORMER, 480/24 VAC
35	INDICATOR LIGHT
36	2 POLE TERMINAL BLOCK
37	2 POSITION ROTARY SWITCH
38	GRIDDLE TEMPERATURE SENSOR
39	SWITCH, TEMPERATURE SELECTOR, 175-450deg F
43	INNER ELEMENT, 440V, 1850W
44	OUTER ELEMENT, 440V, 1650W
49	2 POLE TERMINAL STRIP, 30A, 300V
57	CIRCUIT BOARD, TEMPERATURE CONTROL

QTY	ITEM	PART NUMBER	DESCRIPTION / MATERIAL
LANG MANUFACTURING			
DR: SDM DATE: 6-28-00		TITLE: CLR36R-G-S & CLR36R-GB-S	
C/C: DATE:		440 VAC, 3 PHASE	
TOLERANCES FRACTIONS DECIMALS ± 1/64 .X ± .00 ANGLES .XXX ± .015 UNLESS OTHERWISE SPECIFIED DIMENSIONS ARE IN INCHES		NEXT HIGHER ASSY.	SHEET
SCALE: TO FIT		61131-05	
		DRAWING NUMBER	REV
		1 OF 1	A

