

CM650 Parts List

Table of Contents

Cabinet Exterior

Cabinet Interior

Air Cooled Refrigeration

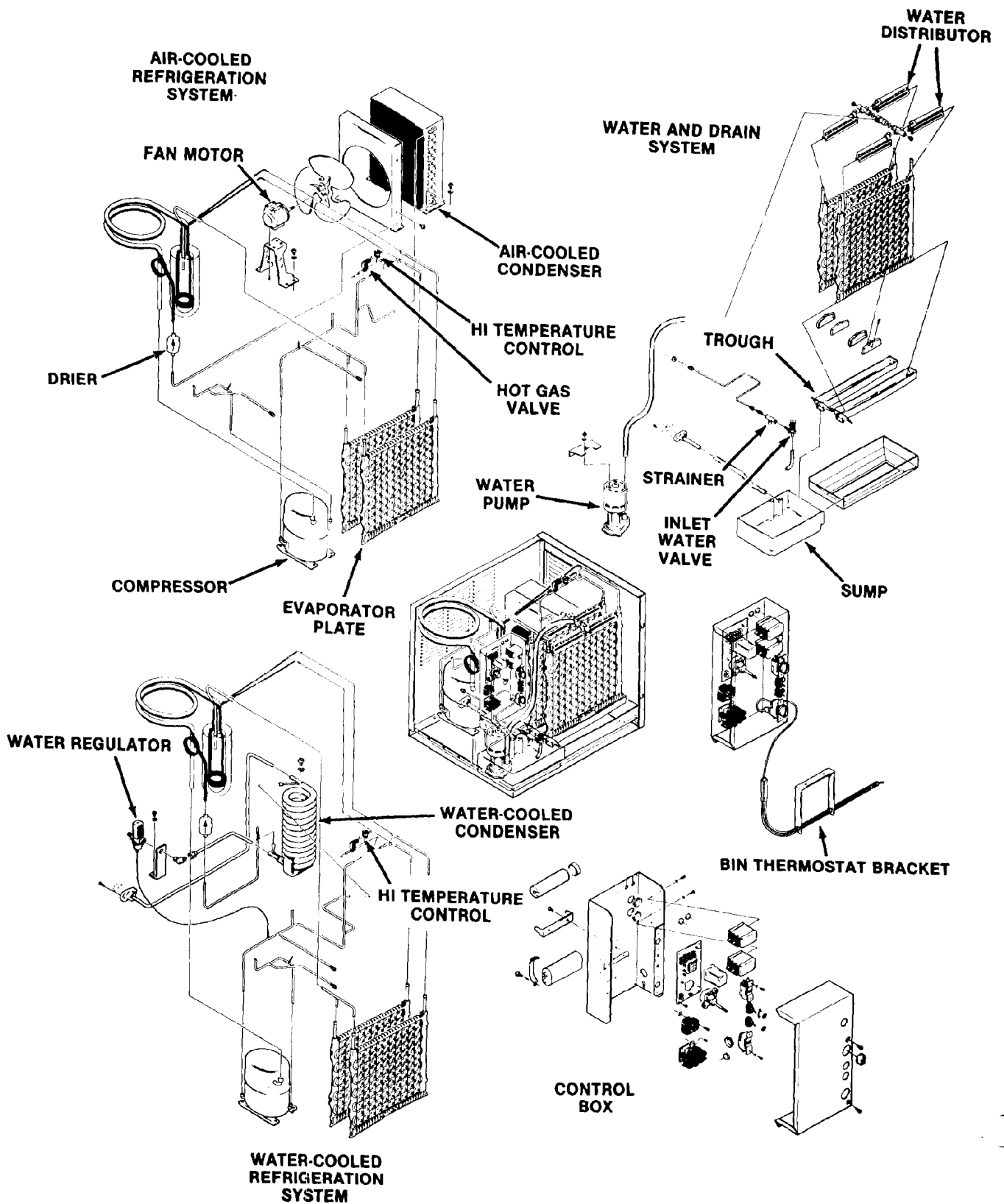
Water Cooled Refrigeration

Water System

Control Box

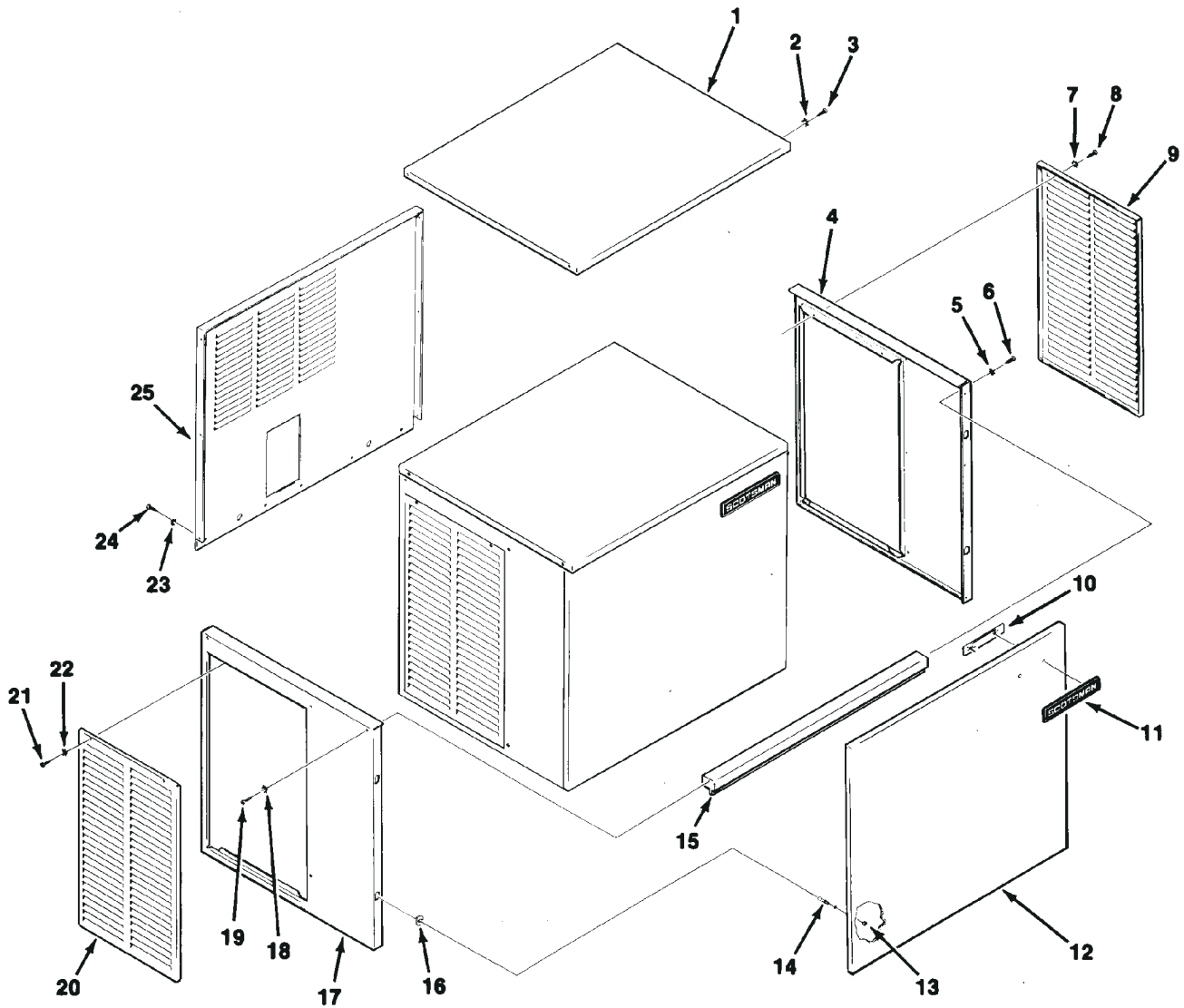
Wiring Diagrams

CM650E SERVICE PARTS



CM650E SERVICE PARTS

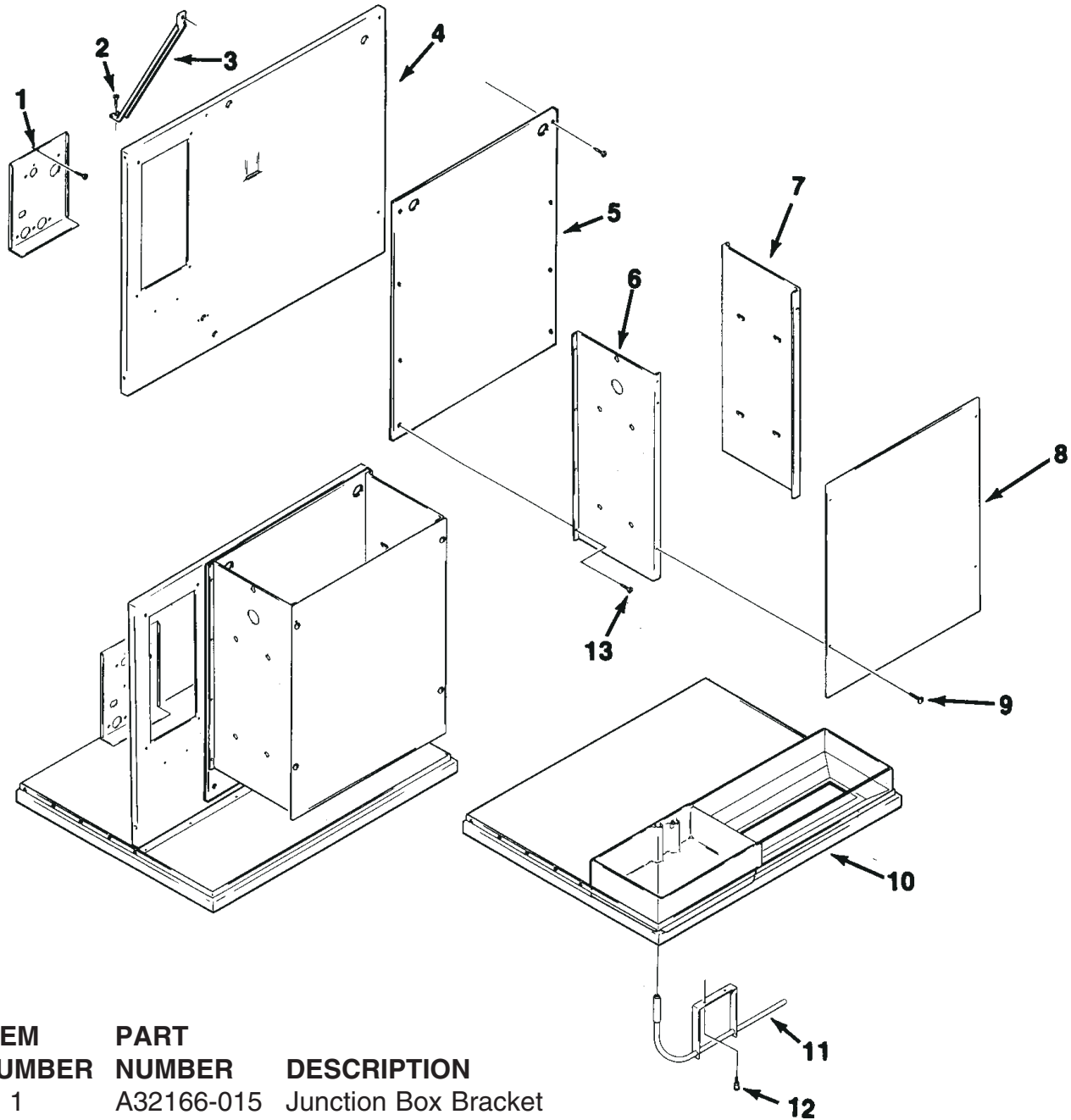
CABINET ASSEMBLY



ITEM NUMBER	PART NUMBER	DESCRIPTION	ITEM NUMBER	PART NUMBER	DESCRIPTION
1	A32159-001	Top Panel, Painted	13	03-1406-04	Nut
	A32159-002	Top Panel, S. S.	14	15-0411-00	Strike
2	03-1417-03	Lockwasher	15	A32169-001	Front Support
3	03-1531-01	Screw	16	02-0836-00	Cabinet Catch
4	A32162-001	Right End Panel, Paint	17	A32163-001	Left End Panel, Paint
	A32162-002	Right End Panel, S.S.		A32163-002	Left End Panel, S.S.
5.	03-1417-03	Lockwasher	18	03-1417-03	Lockwasher
6	03-1531-01	Screw	19	03-1531-01	Screw
7	03-1417-03	Lockwasher	20	A32161-001	Service Panel, Paint
8	03-1404-12	Screw		A32161-002	Service Panel, S.S.
9	A32161-001	Service Panel, Painted	21	03-1404-12	Screw
	A32161-002	Service Panel, S.S.	22	03-1412-03	Lockwasher
10	03-0271-00	Speed Nut	23	03-1417-03	Lockwasher
11	15-0711-01	Emblem	24	03-1531-01	Screw
12	A32160-001	Front Panel, Painted	25	A32202-003	Back Panel
	A32160-002	Front Panel, S.S.			

CM650E SERVICE PARTS

CABINET INTERIOR



ITEM NUMBER	PART NUMBER	DESCRIPTION
1	A32166-015	Junction Box Bracket
2	03-1645-01	Screw
3	A32210-001	Support Brace
4	A32158-001	Retainer
5	02-2867-01	Splash Panel
6	A32172-001	Evaporator Bracket, Right
7	A32173-001	Evaporator Bracket, Left
8	02-3246-01	Evaporator Plate Cover
9	03-0727-09	Thumbscrew
10	A32153-001	Base
11	A32262-001	Bin Thermostat Bracket
12	03-0727-09	Thumbscrew
13	03-1531-02	Screw

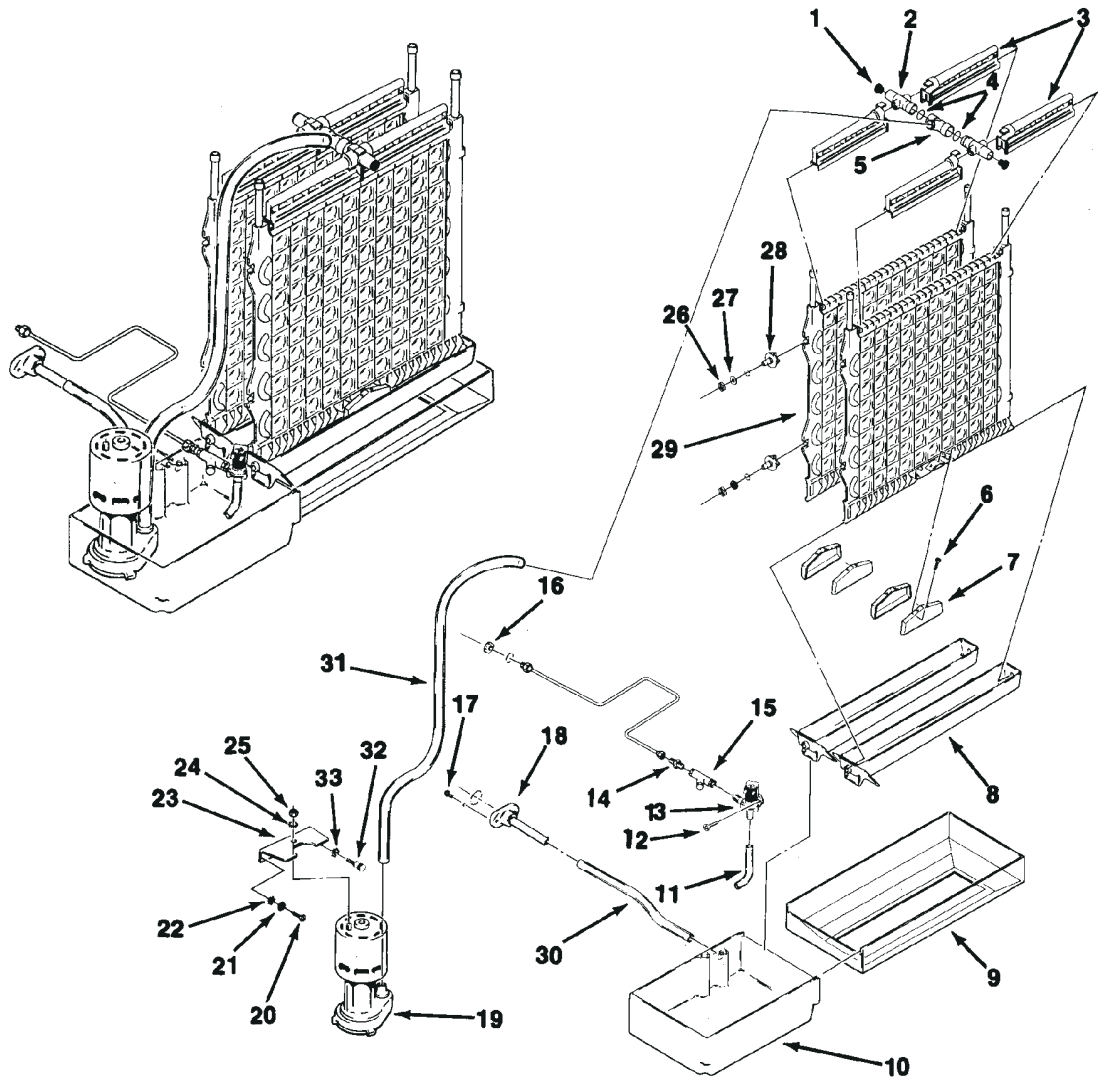
CM650E SERVICE PARTS

WATER COOLED REFRIGERATION

ITEM NUMBER	PART NUMBER	DESCRIPTION
1	A32174-020	Heat Exchanger
2	03-1645-01	Screw
3	03-1417-09	Lockwasher
4	18-6900-25	Condenser
5	12-2135-22	Hot Gas Valve & Coil
6	12-2300-03	Hi Temp. Cut Out
7	A30296-020	Evaporator Plate
8	18-8879-21	Compressor (208-230/60/1)
	18-8879-22	Compressor (203-230/60/3)
		(Both have an internal overload)
9	18-6800-01	Mounting Grommet
10	18-2300-26	Sleeve
11	03-1407-07	Washer
12	03-1405-20	Screw
13	16-0563-00	Valve Cap
14	16-0560-00	Valve Core
15	A33363-001	Drain Fab Assembly
16	03-1403-14	Screw
17	16-0401-02	Brass Elbow
18	no number	Bracket
19	11-0424-01	Water Reg. Valve
20	03-1394-01	Pal Nut
21	03-1403-14	Screw
22	02-3319-02	Filter Drier

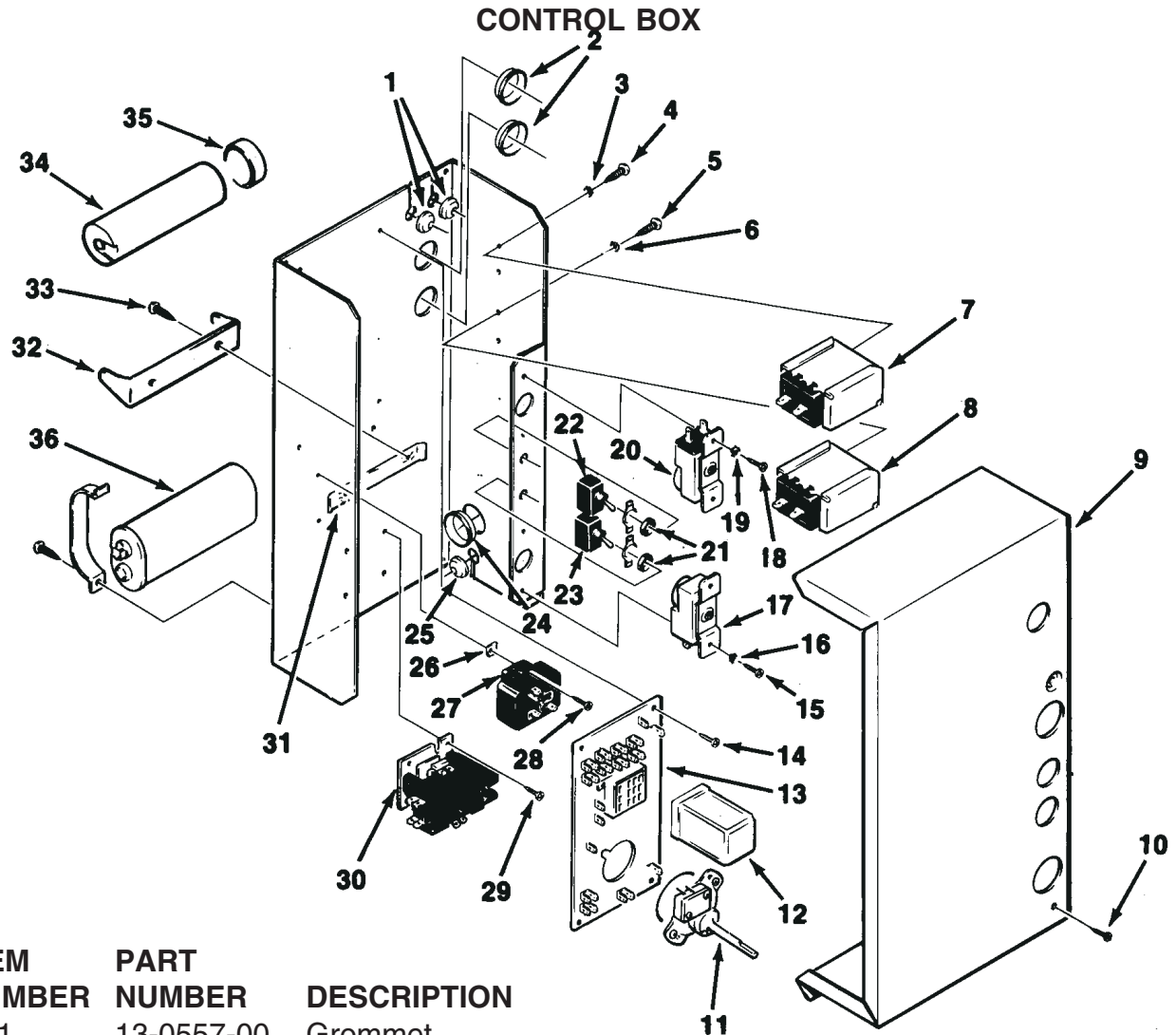
CM650E SERVICE PARTS

WATER SYSTEM



ITEM NUMBER	PART NUMBER	DESCRIPTION	ITEM NUMBER	PART NUMBER	DESCRIPTION
1	13-0840-01	Manifold Plug	18	A32282-003	Drain Ass. (Air Cooled)
2	A29703-001	Manifold Water Tube	19	12-2265-22	Water Pump Assembly
3	02-2527-01	Water Distrib. Tube	20	03-1403-17	Screw
4	13-0617-48	O-Ring (2)	21	03-1407-03	Washer
5	02-2519-01	Plastic Tee	22	03-1408-31	Washer
6	03-1404-10	Screw	23	A30914-002	Pump Mounting Bracket
7	02-2878-01	Sump End Cover	24	03-1417-05	Lockwasher
8	02-2868-01	Drain Trough	25	03-1406-05	Nut
9	no number	Cube Chute	26	03-1394-03	Pal Nut
10	02-2869-01	Sump	27	03-1408-34	Special Washer
11	A30918-001	Sump Inlet Tube	28	02-2642-01	Plate Mount
12	03-1531-01	Screw	29	A30296-020	Evaporator
13	12-2313-03	Solenoid Valve	30	13-0674-07	Drain Hose, 8"
14	16-0791-01	Half Union	31	13-0674-07	Pump Hose, 33"
15	16-0162-00	Stainer	32	03-0727-09	Thumbscrew
16	03-1394-01	Pal Nut	33	03-1417-03	Lockwasher
17	03-1645-01	Screw			

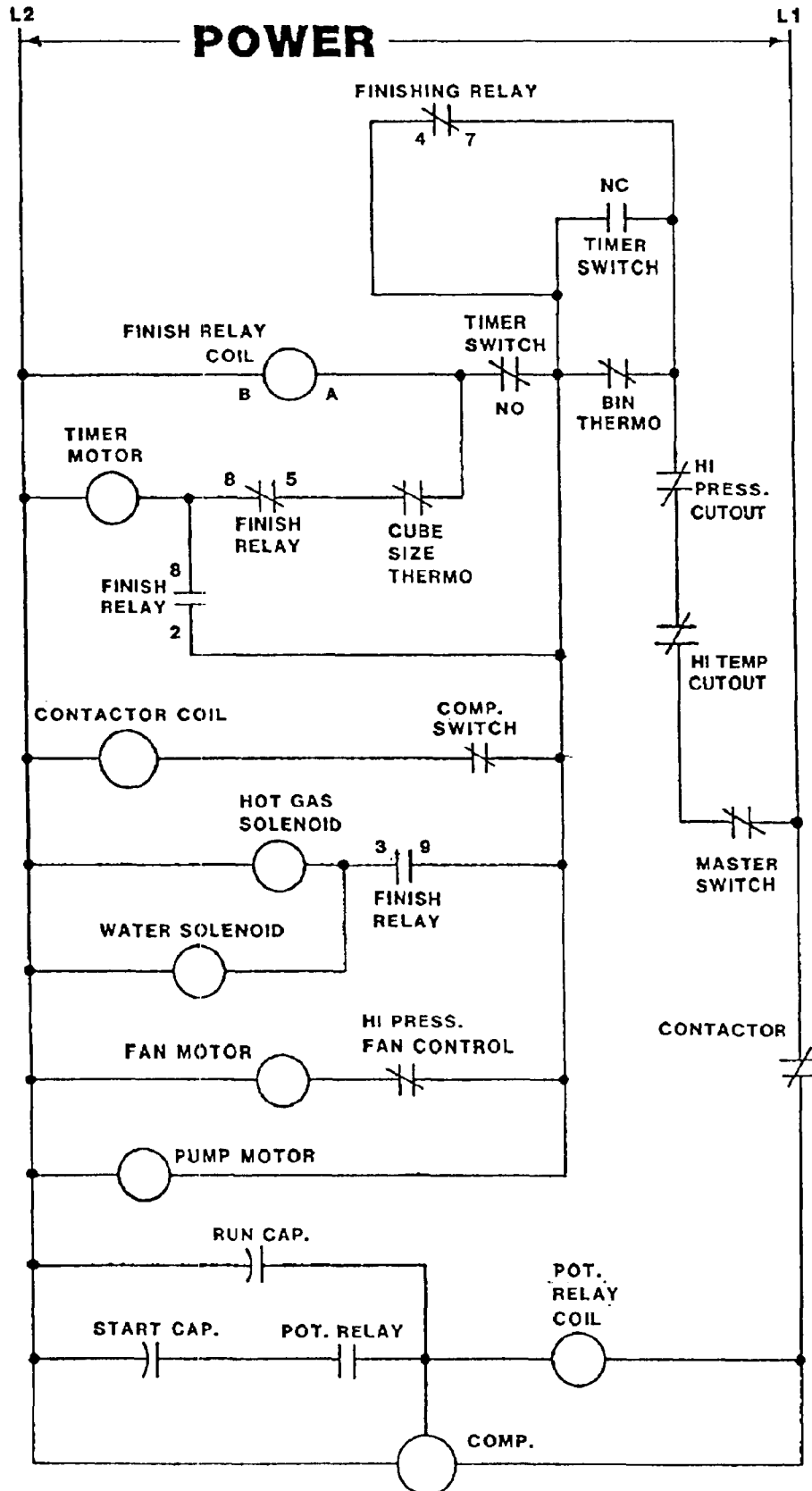
CM650E SERVICE PARTS



ITEM NUMBER	PART NUMBER	DESCRIPTION	ITEM NUMBER	PART NUMBER	DESCRIPTION
1	13-0557-00	Grommet	21	03-1417-16	Lockwasher
2	12-1213-10	Snap Bushing	22	12-0426-01	Switch
3	03-1417-18	Lockwasher	23	12-0426-01	Switch
4	03-1403-02	Screw	24	12-1213-17	Snap Bushing
5	03-1403-02	Screw	25	13-0557-00	Grommet
6	03-1417-18	Lockwasher	26	03-1423-01	Speed Nut
7	11-0426-22	Fan Control	27	18-1903-46	Potential Relay
8	11-0425-21	High Press. Safety -AC	28	03-1403-02	Screw
	11-0410-22	High Press. Safety -WC	29	03-1403-15	Screw
9	A32168-001	Control Box Cover	30	12-2469-02	Contactor,-32 (1 phase)
10	03-1531-01	Screw		12-0739-02	Contactor, -3 (3 phase)
11	12-2317-22	Timer & Switch	31	no number	Twin Speed Nut
12	12-1879-03	Relay, 230 V	32	18-2200-39	Start Capacitor Bracket
13	12-1912-01	Circuit Board	33	03-1403-15	Screw
14	03-1403-02	Screw	34	18-1901-48	Start Capacitor
15	03-1403-05	Screw	35	18-2200-38	Start Capacitor Cap.
16	03-1417-03	Lockwasher	36	18-1902-45	Run Capacitor
17	11-0427-22	Bin Thermostat			
18	03-1403-05	Screw			
19	03-1417-03	Lockwasher			
20	11-0428-21	Cube Size Control			

CM650E WIRING DIAGRAMS

Schematic Diagram for CM650E-32E (208-230/60/1) Air or Water Cooled.



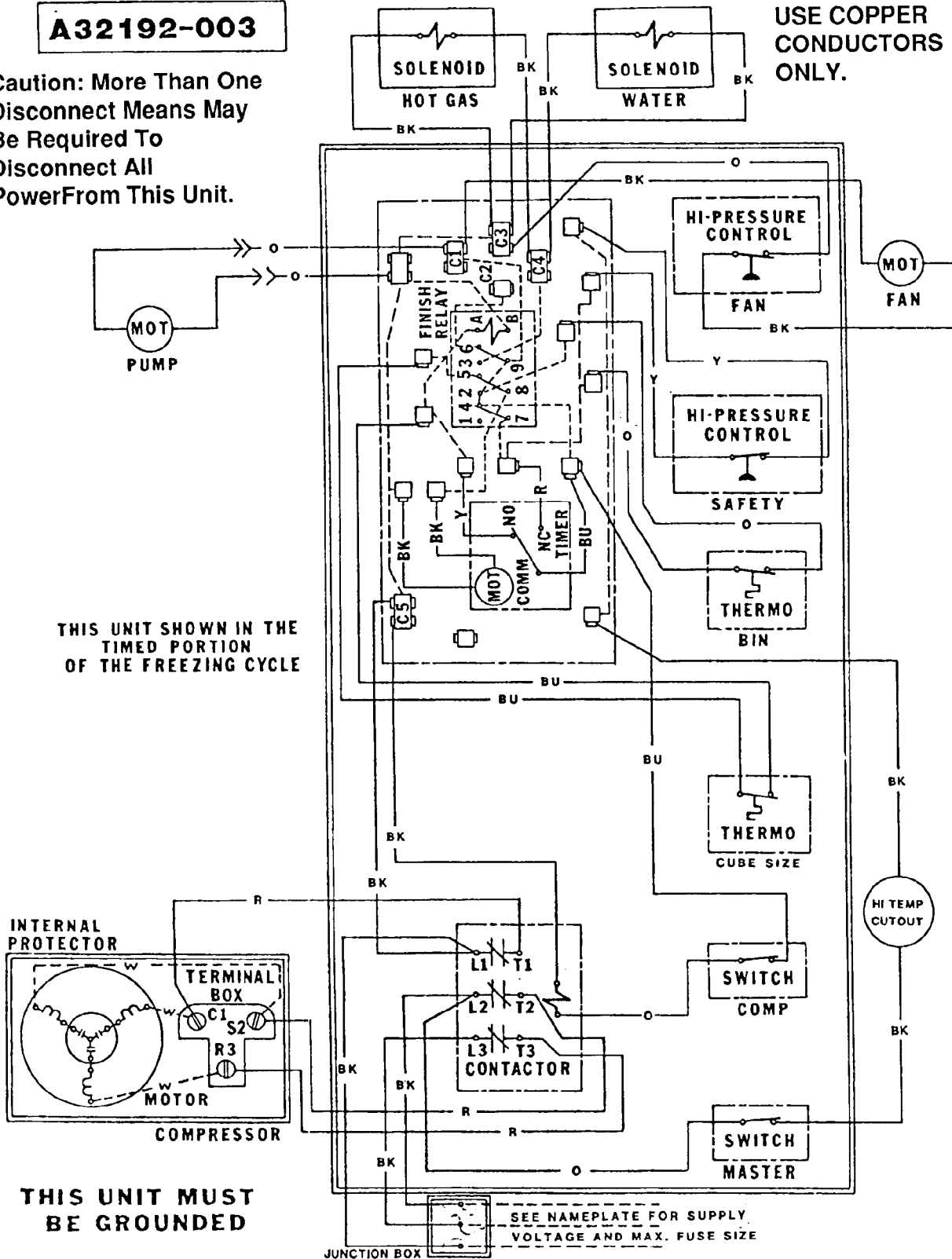
CM650E WIRING DIAGRAMS

Component Layout Diagram for CM650E-3E (208-230/60/3) Air and Water Cooled.

A32192-003

Caution: More Than One Disconnect Means May Be Required To Disconnect All Power From This Unit.

USE COPPER CONDUCTORS ONLY.



THIS UNIT SHOWN IN THE TIMED PORTION OF THE FREEZING CYCLE

THIS UNIT MUST BE GROUNDED

SEE NAMEPLATE FOR SUPPLY VOLTAGE AND MAX. FUSE SIZE

CM650E WIRING DIAGRAMS

Schematic Diagram for CM650E-3E, (208-230/60/3) Air or Water Cooled.

